

Ring Tail Syphons



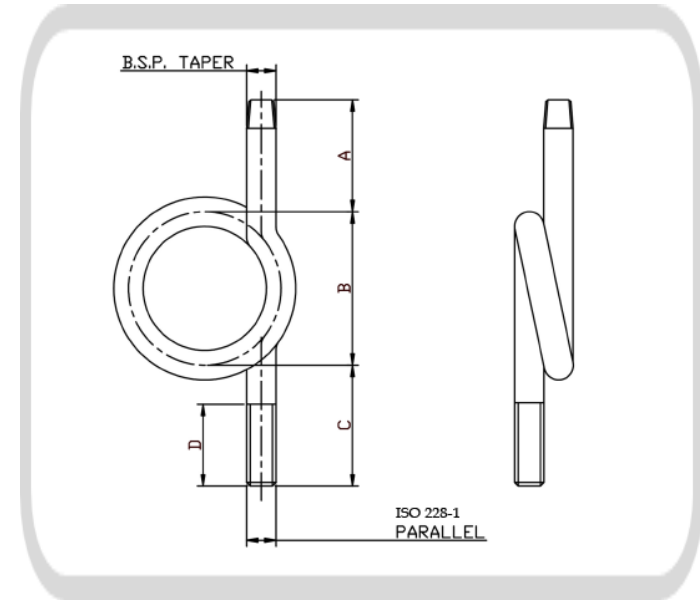
*Pressure rating up to 50 BAR
(750 PSI)

*Male threads are BSPT (Taper)
to ISO 7-1 and BSPP (Parallel) to
ISO 228-1

*316 CF8M stainless steel

*Manufactured from pipe

*Sizes 1/4" to 1/2"



SIZE	PART No	A	B	C	D	Kg/100
1/4	4R.316.St.St	69.5	91	91.5	38.5	34.1
3/8	3R.316.St.St	86.0	99	112.0	40.0	53.2
1/2	2R.316.St.St	104.0	100	127.0	55.0	84.4