

PROFILE

The **GPS** buffer tanks are designed to be combined with **GPP** and **GPR** line pumping units.

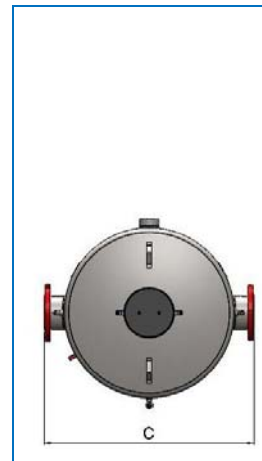
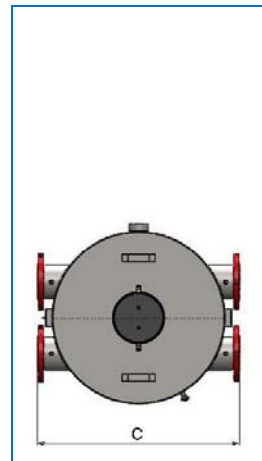
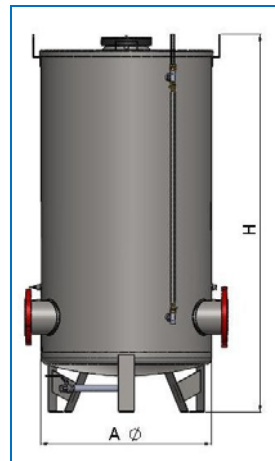
Three capacities:
1000 – 2000 – 3000 litre

Three versions:

- Not insulated (**V**)
- Not insulated with **internal septum (VD)**
- **Insulated** with internal septum (**VH**)

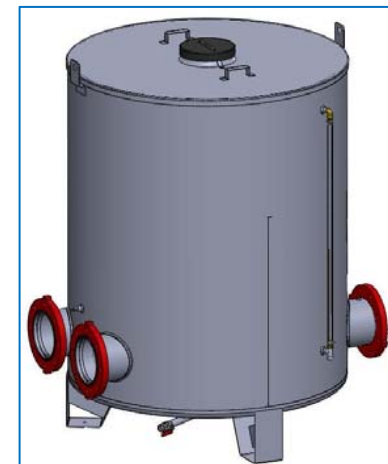
- Tank made entirely of STAINLESS STEEL.
- Fast release Victaulic® connections.
- 3" connection for discharging of "overflow"
- Visual gauge and discharge tap.
- All tanks are equipped with no.1 1" F connection for optional kit with float for automatic filling/refilling.

Aquagel	GPS								
Model	Volume lt	Insulation	Internal septum	Connections		Dimensions			Weight kg
				n	Ø "	A Ø mm	C mm	H mm	
GPS100V	1000	-	-	2	6	850	1050	1990	90
GPS100VD	1000	-	yes	4	6	850	1010	1900	120
GPS100VH	1000	yes	yes	4	6	870	1010	1900	120
GPS200V	2000	-	-	2	8	1100	1320	2480	175
GPS200VD	2000	-	yes	4	8	1270	1440	1870	210
GPS200VH	2000	yes	yes	4	8	1290	1440	1870	210
GPS300V	3000	-	-	2	10	1270	1505	2470	215
GPS300VD	3000	-	yes	4	10	1400	1605	2170	270
GPS300VH	3000	yes	yes	4	10	1420	1605	2170	270



with internal septum

w/out internal septum



mod. **GPS---VD**