

# NMP830 HP SERIES MICRO DIAPHRAGM GAS PUMPS



NMP830KPDC HP



NMP830KPDC-B HP



NMP830.1.2KPDC-B HP

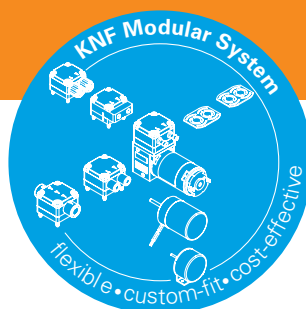
## ADVANTAGES

- Uncontaminated flow
- Customizing available
- Maintenance-free
- Long product life
- High pneumatic performance
- Compact size/high power density
- Can operate in any installed position
- High condensate resistance
- FDA certified
- ONE pump for vacuum and pressure application
- < 50 mbar abs 2 head serial
- 10% greater flow with customized pumps

## POSSIBLE AREAS OF USE

- Medical
- Reprographic
- Environment
- Security
- Food

Please visit our website  
[www.knf.com](http://www.knf.com)  
to get more information.



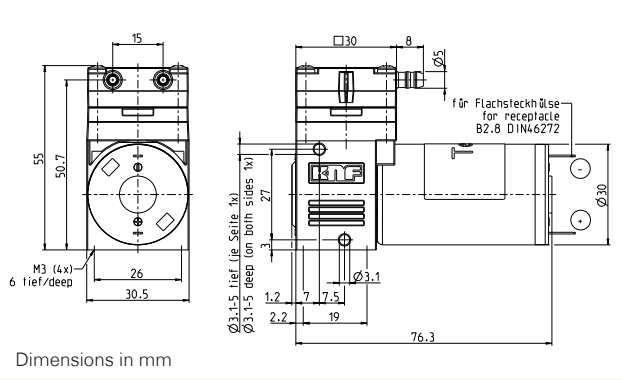
PERFORMANCE DATA											
Series model	NMP830 HP						NMP830.1.2 HP				
Material design	KPDC		KPDC-B		KPDC-B4		KPDC-B		KPDC-B4		
Pump head	PPS						PPS				
Diaphragm	EPDM (FKM and PTFE on request)						EPDM (FKM and PTFE on request)				
Valves	EPDM (FKM and FFKM on request)						EPDM (FKM and FFKM on request)				
Flow rate at atm. pressure (l/min)	5		5		5		9		9		
Ultimate vacuum (mbar abs.)	230		230		230		230		230		
Ultimate pressure (bar rel)	3		3		3		3		3		
Permissible media and ambient temperature (° C / ° F)	+5° C to +40° C / 41° F to 104° F (-20° C to +60° C / -4° F to 140° F on request)										
Weight (g/oz)	185/6.53		170/6		170/6		230/8.11		230/8.11		
ELECTRICAL DATA											
Voltage (V)	12		24		12		24		12		24
Motor	DC		Brushless DC, 2 wire		Brushless DC, 4 wire		Brushless DC, 2 wire		Brushless DC, 4 wire		
I <sub>max</sub> (A)	0.9		0.5		0.85		0.45		1.5		0.8

# NMP830KPDC HP

## PERFORMANCE DATA

Series model	Flow rate at atm. pressure (l/min)	Max. operating pressure (bar rel)	Ultimate vacuum (mbar abs.)
NMP830KPDC HP 12V	5	3	230
NMP830KPDC HP 24V	5	3	230

## NMP830KPDC HP

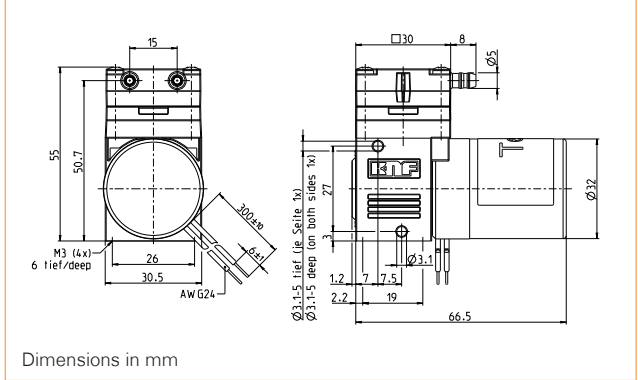


# NMP830KPDC-B HP

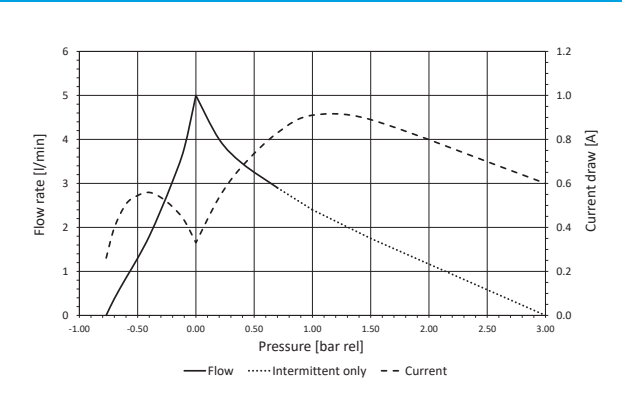
## PERFORMANCE DATA

Series model	Flow rate at atm. pressure (l/min)	Max. operating pressure (bar rel)	Ultimate vacuum (mbar abs.)
NMP830KPDC-B HP 12V	5	3	230
NMP830KPDC-B HP 24V	5	3	230
NMP830KPDC-B4 HP 12V	5	3	230
NMP830KPDC-B4 HP 24V	5	3	230

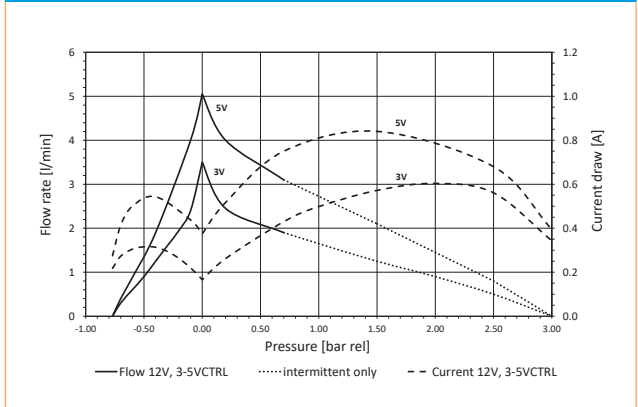
## NMP830KPDC-B HP



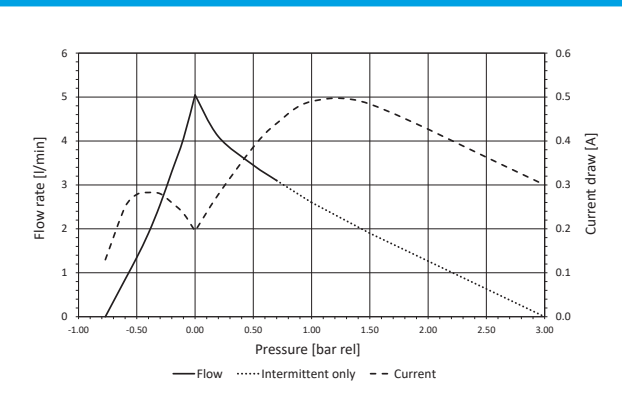
## NMP830KPDC HP 12V



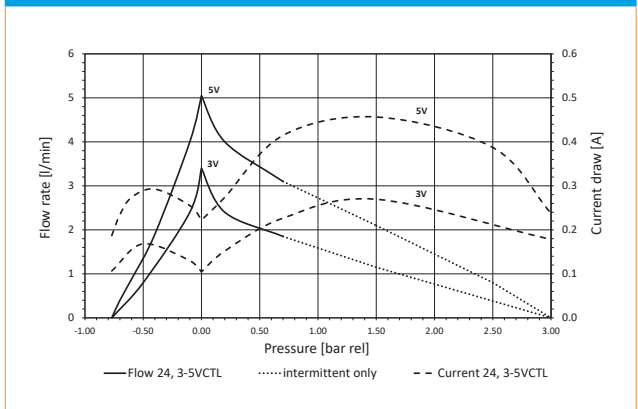
## NMP830KPDC-B HP 12V



## NMP830KPDC HP 24V



## NMP830KPDC-B HP 24V

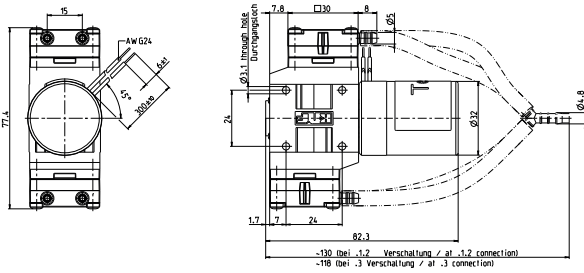


# NMP830.1.2KPDC-B HP

## PERFORMANCE DATA

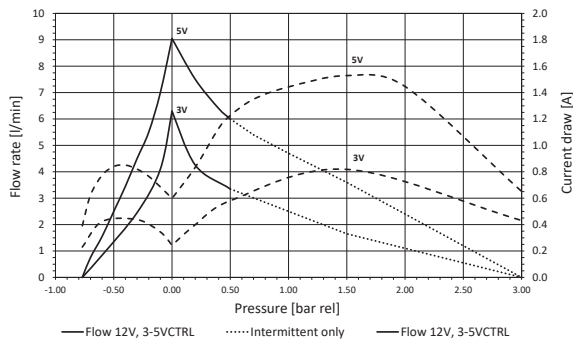
Series model	Flow rate at atm. pressure (l/min)	Max. operating pressure (bar rel)	Ultimate vacuum (mbar abs.)
NMP830.1.2KPDC-B HP 12V	9	3	230
NMP830.1.2KPDC-B HP 24V	9	3	230
NMP830.1.2KPDC-B4 HP 12V	9	3	230
NMP830.1.2KPDC-B4 HP 24V	9	3	230

## NMP830.1.2KPDC-B HP

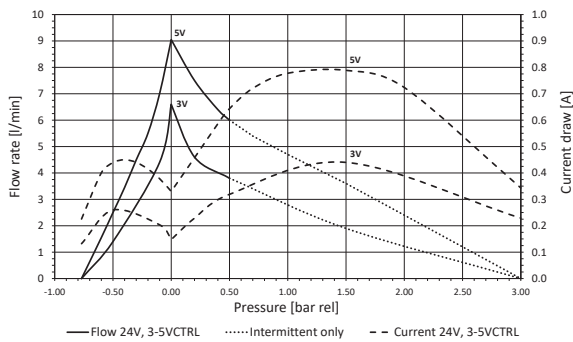


Dimensions in mm


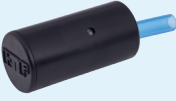

## NMP830.1.2KPDC-B HP 12V



## NMP830.1.2KPDC-B HP 24V



OPTIONS			
Description	Illustration	Part No.	Details
Motors			Other motor options are available. Ask your KNF sales contact to find the best solution for you.
Connecting plate			DN4/6 connecting plate M5 inside thread UNF 1/4" - 28 inside thread
Eccentric			Other eccentricities are available to meet your operating point best.

ACCESSORIES			
Description	Illustration	Part No.	Details
Silencer		024805	For hose barbs
Silencer		314005	For DN4/6 connecting plate
Mounting plate		164313	Hole distance 43x22mm. Inner diameter of the sleeve is 3.5 mm, screws are not included. Single head pumps only.

SPARE PARTS			
Description	Illustration	Part No.	Details
Spare part kit for KP version		317273	One Kit per head containing valve, O-Ring and Diaphragm. For a double head pump two kits are required.

The performance values for the series models shown on this data sheet were determined under test conditions. The actual performance values may differ and depend in particular on the usage conditions and therefore on the specific application, on the parameters of the components involved in the user's system and on any technical modifications carried out which deviate from the standard configuration or the as delivered condition.

If individual designs have been created for specific customers on the basis of series models, other technical performance data may apply. Before operation begins, the relevant operating instructions and/or assembly or installation instructions should be read and the safety information contained in these instructions should be noted. KNF reserves the right to make changes to the product and the associated documentation without prior notice to the customer.



[www.knf.com](http://www.knf.com)