

Natural Attraction

Our flexible cases



Blow moulding
Injection moulding
Cases for industry

www.hofbauer.co.uk

Foam inserts

Customized foam inserts in medium density Polyurethane or higher density Polyethylene can be supplied in a selection of colours.



Foam sets comprising: Profile, pick-and-pluck, and plain foam pads



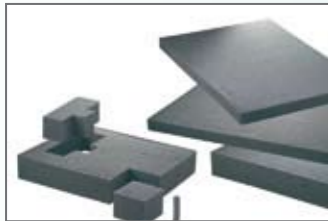
Laser etched ID in foam



Antistatic foam



Moulded foam parts (EPP, EPS, EPE)



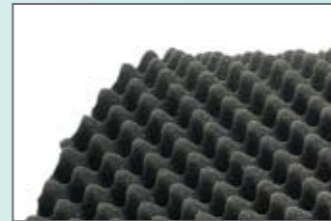
Pick-and-pluck foam



Medium density PU foam



High density PE foam



Profile foam (PU)



Antistatic foam in Plastazote LD 32 CN.



Maxibag with high density PE Foam in lid and base for sales demo' case.



Maxibag with foam lid & vacuum formed tray in base.

Foam inserts and colours

Choose your colour. Our range includes a selection of both foam and case colours. Pantone, RAL, HKS match cases are also available to special order (with min. quantity order)

For complete corporate branding - screen printed, multiple colour, logo's and messages add the finishing touch.

We can help achieve your ideal solution.



Maxibag – Pantone matched case & catches to special order.



Minibag – Pantone matched case with screen printed logo.



Xtrabag – standard colour with screen printed logo.



Xtrabag – translucent lid and blue base, logo with silver foil print.



Xtrabag – special white colour with screen printed logo.

Accessories



Trolley (a)
To special request, various Hofbauer cases can be supplied with a removable trolley and integrated telescopic handle.

Shoulder strap (b)
Adjustable and removable shoulder strap for easy handling.

Lid stays (c)
For opening angle of 90°.

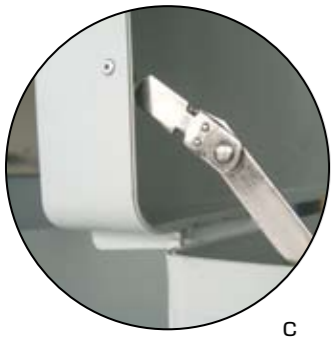
Document files (d)
Various styles of document files available in most cases.

Dividing boards (e-g)
Reliable separation of base and lid, additional storage space, ideal cover panel for items, available in various materials:

Standard dividing board: leather look and pressed fibreboard (e)

Classic dividing board: fabric and pressed fibreboard, removable (f)

Con-Pearl dividing board: extremely lightweight, sturdy PP panel (g)



d



e



f



d



g

Customised panels are possible on request.

Labelling options

Digitally printed labels for full colour photo quality image messages.

Further options include foil labels and moulded nameplates/logo badges, to further enhance corporate image and promotion.

Moulded-in text or logo with raised or rebated profile.



Card Product Sleeves

Quality and distinction, made in Germany, at affordable prices.



Optimise product presentation with a branded card product sleeve.



The complete package.

XTRABAG



- Stylish design for professional presentation
- Lightweight yet durable industrial presentation case.
- Ergonomic handle for user comfort
- Reliable snap shut-catches and interlocking hinge
- Excellent surface finish - ideal for printed logos
- Injection moulded construction: hard wearing & reliable
- Material: PP(Polypropylene)for Xtrabag 100, 200 and 300
- Material: ABS (Acrylnitril-Butadien-Styrol) for Xtrabag 400 and 500; greater strength & stability for larger sizes & resistant to temperature changes
- For further custom options please contact us

XTRABAG	100	200	300	400	500
Black	95 74 00	95 74 10	95 74 20	95 74 35	95 74 40
Light grey	95 74 01	95 74 11	95 74 21	95 74 36	95 74 41
Red	95 74 02	95 74 12	95 74 22	95 74 37	95 74 42
Blue	95 74 03	95 74 13	95 74 23	95 74 38	95 74 43
Translucent	95 74 04	95 74 14	95 74 24	95 74 39	95 74 44
Ext. Dim. mm (L x W x H)	258 x 246 x 49	320 x 308 x 81	397 x 377 x 96	486 x 460 x 136	594 x 561 x 161
Max. Int. Dim. mm (L x W)	252 x 202	315 x 247	391 x 315	480 x 387	588 x 475
Min. Int. Dim. mm (L x W)	240 x 188	296 x 230	368 x 290	450 x 360	546 x 435
Height Int. Dim. mm (Total = Base HB + Lid HL)	44 = 22 + 22	76 = 38 + 38	90 = 45 + 45	132 = 66 + 66	156 = 78 + 78
Empty Weight kg approx.	ca. 0,3	ca. 0,6	ca. 0,9	ca. 1,7	ca. 2,6

Accessories

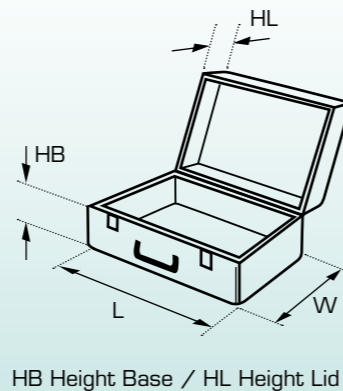
- Lid stays
- Divider board
- Document file
- Trolley
- Labels
- Foam set
- Shoulder Strap

Range of colours*

Standard colours	Snap-shut catches
black	black (as standard)
blue	blue
red	red (to special order)
light grey	
translucent	

* Pantone, HKS, or RAL colour match to special order (quantity restrictions apply)

Size details



MINIBAG



- Compact, versatile, perfect for promotion & product presentation
- Durable, one-piece moulded case with snap shut catches.
- Minibags 1 to 3 have long lasting "living"
- Minibag 4 features interlocking hinge
- Excellent surface finish - ideal for printed logos
- Injection moulded in PP (Polypropylene) recyclable material
- For further custom options please contact us

MINIBAG	1	2	3	4
Black	95 70 11	95 70 01	95 70 21	95 86 000
Light grey	95 70 13	95 70 03	95 70 23	95 86 001
Red	95 70 14	95 70 04	95 70 24	95 86 002
Blue	95 70 15	95 70 05	95 70 25	95 86 003
Ext. Dim. mm (L x B x H)	230 x 187 x 45	265 x 225 x 50	327 x 275 x 55	345 x 284 x 83
Max. Int. Dim. mm (L x B)	222 x 145	258 x 178	319 x 225	338 x 229
Min. Int. Dim. mm (L x B)	222 x 145	258 x 178	319 x 225	338 x 229
Height Int. Dim. (Total = Base HB + Lid HL)	40 = 30 + 10	45 = 33 + 12	49 = 36 + 13	79 = 55 + 24
Empty Weight kg approx.	ca. 0,2	ca. 0,3	ca. 0,5	ca. 0,7

Accessories

- Lid stays
- Lid/Base divider for Minibag 4 only (transparent or coloured for Minibag 4)
- Document file
- Foam set

Range of colours*

Standard colours
black
blue
red
light grey

* Customized colours on request



Minibag 4 with dividers, both coloured, translucent and screen printed.

MAXIBAG

- Maximise the possibilities for a variety of applications
- Attractive design & adaptable functionality
- User-friendly, reliable snap-shut catches
- Rectangular design optimises use of interior space
- Durable living hinge
- Surface finish suited to printing/branding
- Moulded in tough ABS (Acrylnitril-Butadien-Styrol) material
- Scuff resistant surface
- For further custom options please contact us



Maxibag with high density custom foam interior. Medical instrument.



Maxibag with customised PU foam interior.

available in **26** sizes



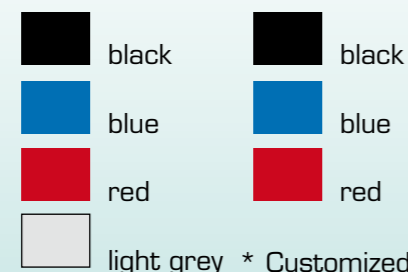
MAXIBAG	0,3-67	0,4-79	0,5-91	0,5-111	0,5-131	0,8-54	0,8-65	0,8-76		0,8-106	0,8-117	0,8-158	1-81	1-96	1-111	1,5-131	1,5-167	1,5-202
Black Catches red	9510000	9511000	9512000	9513000	9514000	9515000	9516000	9517000		9518000	9519000	9520000	9521000	9522000	9523000	9524000	9525000	9526000
Blue Catches black	9510011	9511011	9512011	9513011	9514011	9515011	9516011	9517011		9518011	9519011	9520011	9521011	9522011	9523011	9524011	9525011	9526011
Light grey Catches blue	9510022	9511022	9512022	9513022	9514022	9515022	9516022	9517022		9518022	9519022	9520022	9521022	9522022	9523022	9524022	9525022	9526022
Red Catches black	9510031	9511031	9512031	9513031	9514031	9515031	9516031	9517031		9518031	9519031	9520031	9521031	9522031	9523031	9524031	9525031	9526031
Ext. Dim mm (L x B x H)	254 x 230 x 72	271 x 241 x 84	289 x 256 x 97	289 x 256 x 117	289 x 256 x 137	345 x 308 x 61	345 x 308 x 72	345 x 308 x 83		345 x 308 x 113	345 x 308 x 124	345 x 308 x 164	390 x 334 x 88	390 x 334 x 103	390 x 334 x 118	432 x 363 x 138	432 x 363 x 174	432 x 363 x 209
Max. Int. mm (L x B)	248 x 176	265 x 187	283 x 202	283 x 202	283 x 202	339 x 248	339 x 248	339 x 248		339 x 248	339 x 248	339 x 248	384 x 274	384 x 274	384 x 274	425 x 304	425 x 304	425 x 304
Min. Int. mm (L x B)	246 x 173	262 x 184	280 x 198	280 x 196	278 x 196	337 x 246	337 x 245	336 x 245		337 x 242	336 x 242	332 x 242	381 x 271	381 x 269	379 x 269	420 x 298	420 x 294	416 x 294
Height Int. Dim. (Total = Base HB + Lid HL)	67 = 33,5 + 33,5	79 = 39,5 + 39,5	91 = 45,5 + 45,5	111 = 65,5 + 45,5	131 = 65,5 + 65,5	54 = 27 + 27	65 = 38 + 27	76 = 38 + 38		106 = 79 + 27	117 = 79 + 38	158 = 79 + 79	80 = 40 + 40	96 = 56 + 40	111 = 55,5 + 55,5	131 = 65,5 + 65,5	167 = 101 + 66	202 = 101 + 101
Empty Weight kg approx.	ca. 0,4	ca. 0,5	ca. 0,6	ca. 0,6	ca. 0,7	ca. 0,7	ca. 0,7	ca. 0,8		ca. 0,9	ca. 0,9	ca. 1,0	ca. 1,0	ca. 1,0	ca. 1,1	ca. 1,4	ca. 1,5	ca. 1,7

Accessories

- Lid stays
- Divider board
- Document file
- Trolley
- Shoulder strap
- Foam sets

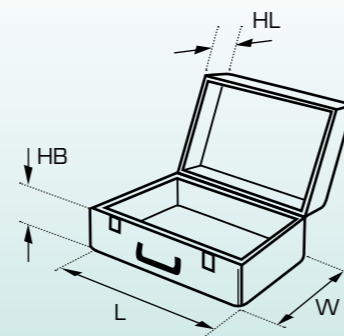
Range of colours*

Standard colours Catches



* Customized colours on request

Size details



HB Height Base / HL Height Lid

2-81	2-102	2-122	2-137	2-157	2-192	3,5-162	3,5-197	3,5-232
9527000	9528000	9529000	9530000	9531000	9532000	9533000	9534000	9535000
9527011	9528011	9529011	9530011	9531011	9532011	9533011	9534011	9535011
9527022	9528022	9529022	9530022	9531022	9532022	9533022	9534022	9535022
9527031	9528031	9529031	9530031	9531031	9532031	9533031	9534031	9535031
452 x 383 x 89	452 x 383 x 109	452 x 383 x 129	452 x 383 x 144	452 x 383 x 164	452 x 383 x 200	539 x 450 x 169	539 x 450 x 205	539 x 450 x 240
445 x 323	445 x 323	445 x 323	445 x 323	445 x 323	445 x 323	531 x 380	531 x 380	531 x 380
442 x 320	442 x 318	440 x 318	442 x 314	440 x 314	437 x 314	524 x 373	524 x 370	521 x 370
81 = 40,5 + 40,5	102 = 61 + 41	122 = 61 + 61	137 = 96 + 41	157 = 96 + 61	192 = 96 + 96	162 = 81 + 81	197 = 116 + 81	232 = 116 + 116
ca. 1,3	ca. 1,4	ca. 1,5	ca. 1,6	ca. 1,7	ca. 1,8	ca. 2,3	ca. 2,5	ca. 2,7

ECOBAG



- The simple solution for cost-effective promotions
- Light weight, economical case with stacking ribs
- Sturdy handle and reliable clip-catches
- Ecobag 1 and 2 with durable living hinges
- Ecobag 3 and 4 with interlocking hinge
- Injection moulded in PP (Polypropylene)
- Ecobag 1 available in translucent version (subject to quantity)
- For further custom options please contact us

ECOBAG	1	2	3	4
Black	95 75 01	95 75 11	95 75 21	95 75 31
Red	95 75 04	95 75 41	95 75 25	95 75 38
White	95 75 00	95 75 10	95 75 20	95 75 30
Ext. Dim. mm (L x B x H)	247 x 206 x 45	326 x 268 x 78	400 x 330 x 95	445 x 415 x 106
Max. Int. Dim. mm (L x B)	242 x 167	319 x 215	391 x 262	434 x 330
Min. Int. Dim. mm (L x B)	239 x 167	315 x 215	385 x 626	430 x 330
Height Int. Dim. (Gesamt = Boden HB + Deckel HL)	38 = 26 + 12	73 = 45 + 28	88 = 55 + 33	99 = 62 + 37
Empty Weight kg approx.	ca. 0,2	ca. 0,4	ca. 0,8	ca. 1,2

Accessories

- Divider board
- Document file
- Labels
- Foam sets

Range of colours*

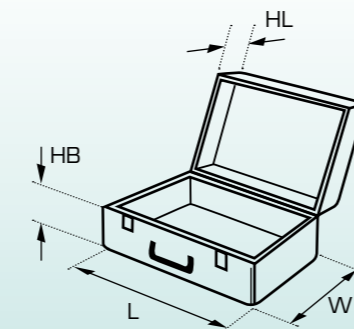
Standard colours



* Customized colours on request



Size details



HB Height Base / HL Height Lid

EUROBAG



- Contemporary design, for multiple uses
- Sturdy yet eye-catching
- Range of 12 sizes
- Reliable clip-catches and interlocking hinge
- Solid feet
- Elegant matt surface with a fine emboss
- Injection moulded in PP Material (Polypropylene) and ABS (Acrylnitril-Butadien-Styrol)

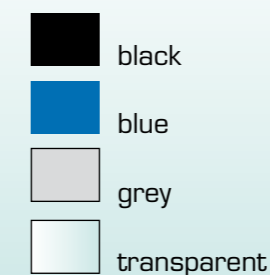
EUROBAG	3	5	10	15	20	25	30	35	37	40	42	45
Black	9591072	9591022	9591009	9591026	9591012	9591030	9591000	9591034	9591076	9591015	9591080	9591038
Grey	9591073	9591024	9591010	9591028	9591013	9591032	9591001	9591036	9591077	9591016	9591081	9591040
Blue	9591074	9591023	9591011	9591027	9591014	9591031	9591002	9591035	9591078	9591017	9591082	9591039
Transparent	9591075	9591025	9591042	9591029	9591043	9591033	9591044	9591037	9591079	-	-	-
Ext. Dim. mm (L x W x H)	162 x 144 x 37	184 x 171 x 44	251 x 220 x 52	279 x 246 x 80	279 x 246 x 101	341 x 317 x 76	348 x 311 x 63	378 x 319 x 110	385 x 340 x 85	422 x 343 x 122	445 x 380 x 129	447 x 395 x 150
Max. Int. Dim. mm (L x B)	153 x 107	170 x 130	240 x 170	270 x 185	270 x 185	335 x 240	340 x 250	365 x 245	375 x 265	410 x 272	422 x 299	445 x 328
Height Int. Dim. mm (Total = Base HB + Lid HL)	30 = 15 + 15	37 = 18,5 + 8,5	42 = 21 + 21	76 = 38 + 38	93 = 46,5 + 46,5	71 = 35,5 + 35,5	53 = 26,5 + 26,5	105 = 52,5 + 52,5	80 = 40 + 40	113 = 56,5 + 56,5	123 = 61,5 + 61,5	144 = 72 + 72
Empty Weight kg approx.	ca. 0,16	ca. 0,2	ca. 0,3	ca. 0,4	ca. 0,5	ca. 0,6	ca. 0,7	ca. 0,9	ca. 0,86	ca. 1,0	ca. 1,34	ca. 1,8

Accessories

- Lid stays
- Divider board
- Document file
- Trolley
- Shoulder strap
- Foam sets

Range of colours*

Standard colours



Clip-catches



* customised colours on request.



Eurobag for dental equipment application.

Natural Strength
Our double-walled cases




hofbauer
Blow moulding
Injection moulding
Cases for industry

www.hofbauer.de

Natural Survivor
Our waterproof cases




hofbauer
Blow moulding
Injection moulding
Cases for industry

www.hofbauer.de

Natural Hard Workers
Our dependable tool cases




hofbauer
Blow moulding
Injection moulding
Cases for industry

www.hofbauer.de

For further brochures and product information please call our Hotline
+44 (0) 1452 30 97 82
or as PDF download on our website.



Blow moulding
Injection moulding
Cases for industry

Hofbauer (UK) Ltd
St. Albans Road
Empire Way
Gloucester
GL2 5FW, England
Tel. +44 (0) 1452 30 97 82
Fax: +44 (0) 1452 30 98 84

cases@hofbauer.co.uk
www.hofbauer.co.uk