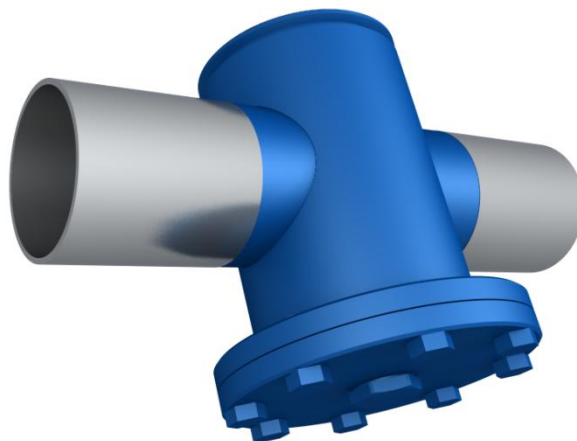


STAINER of carbon steel with weld ends **38500 series**



Edition 07-10-2014

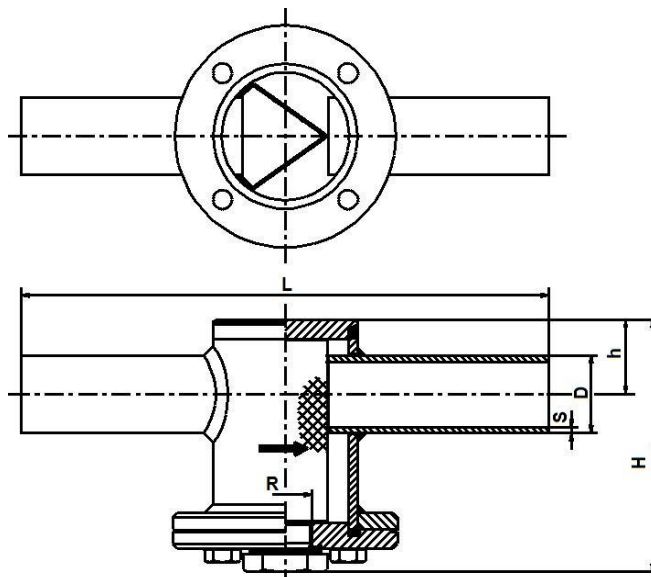
Operating and construction

Högfors strainer of carbon steel has been designed for collecting dirt and impurities in pipesystems. Strainer is used for example in district heating networks and in industry. Strainer 38500 has a body of carbon steel. Filter is of stainless steel and the filter mesh is 30 (0,6 x 0,6 mm). Perforation ratio is ca. 40%. Strainer can be drained by removing the stainless steel drain and flushing plug. Filter can be replaced by removing the cover.

Nominal dimensions	DN 15 – 150
Nominal pressure	PN 40 DN 15 – 50 PN 25 DN 65 – 125 PN 16 DN 150
Connection	Weld end
Working temperature of liquid media	-20°C... +200°C
Safety	Conform to the requirements of the Council Directive 97/23/EC on Pressure Equipment, marking: Class: gas, group 1. 0496

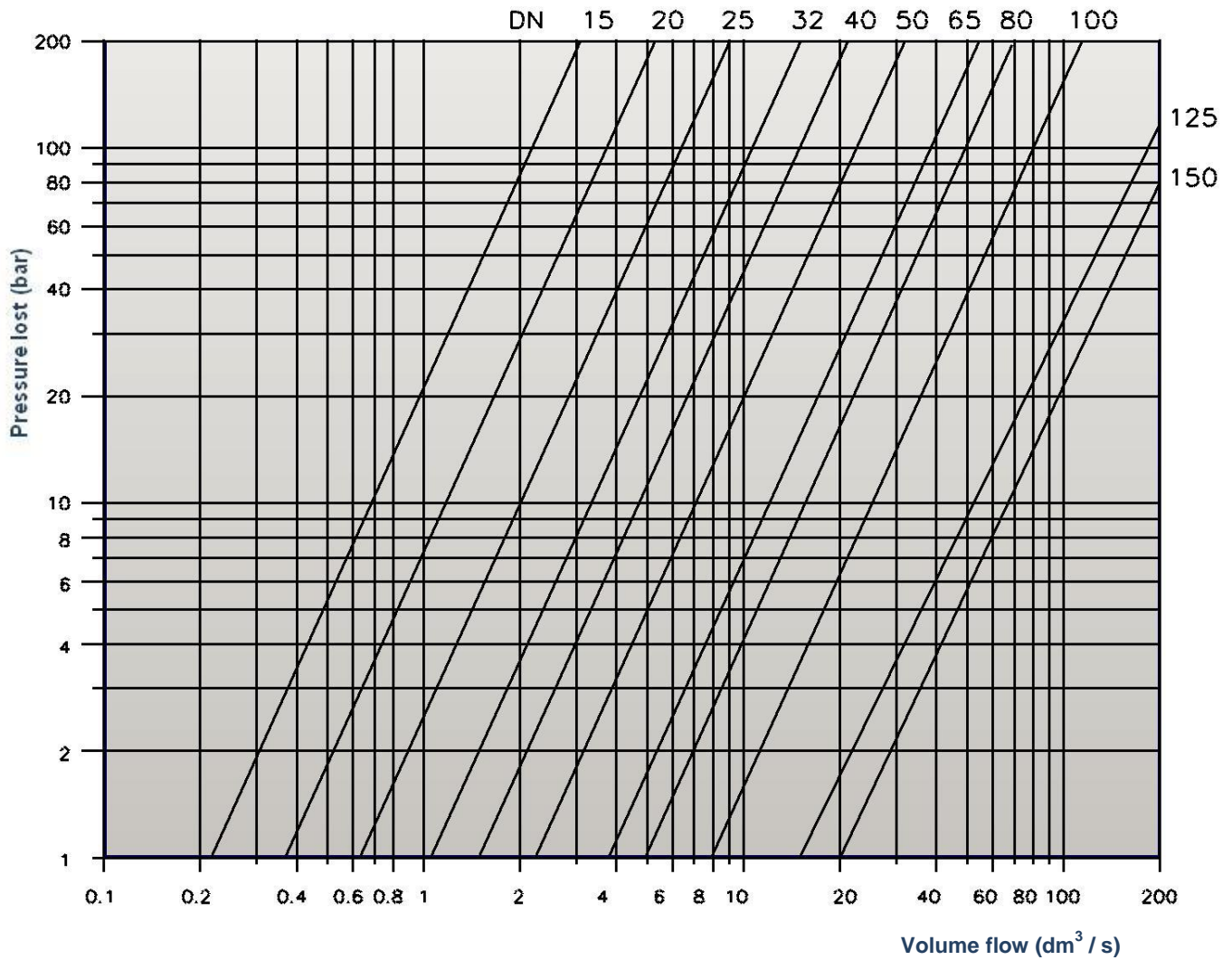
Dimensions

DN	Resistance coefficient	Kv100	D	s	L	H	h	R	Weight, kg
15	2,4	5,8	21,3	2,0	230	83	22	G 1/2	1
20	2,3	10,5	26,9	2,3	230	90	25	G 1/2	1,3
25	2	17,6	33,7	2,6	230	105	30	G 1/2	1,7
32	2	28,9	42,4	2,6	260	114	35	G 1/2	2,8
40	1,9	46	48,3	2,9	260	122	40	G 1/2	3
50	2,2	69	60,3	2,9	300	146	47	G 1/2	5,4
65	1,8	126	76,1	2,9	300	197	68	G 1/2	8
80	1,9	184	88,9	3,2	300	215	78	G 1/2	11
100	2,7	242	114	3,6	325	268	109	G 1/2	17,7
125	1,2	636	140	4,0	325	347	135	G 3/4	25
150	1,6	807	168	4,5	350	345	143	G 3/4	40





Pressure lost diagram



Strainer net dimensions

filter mesh 30, 0,6 x 0,6 mm
wire diam. Ø 0,25 mm
perforation ratio approx. 40 %
free flow area minimum 6 times pipe bore area