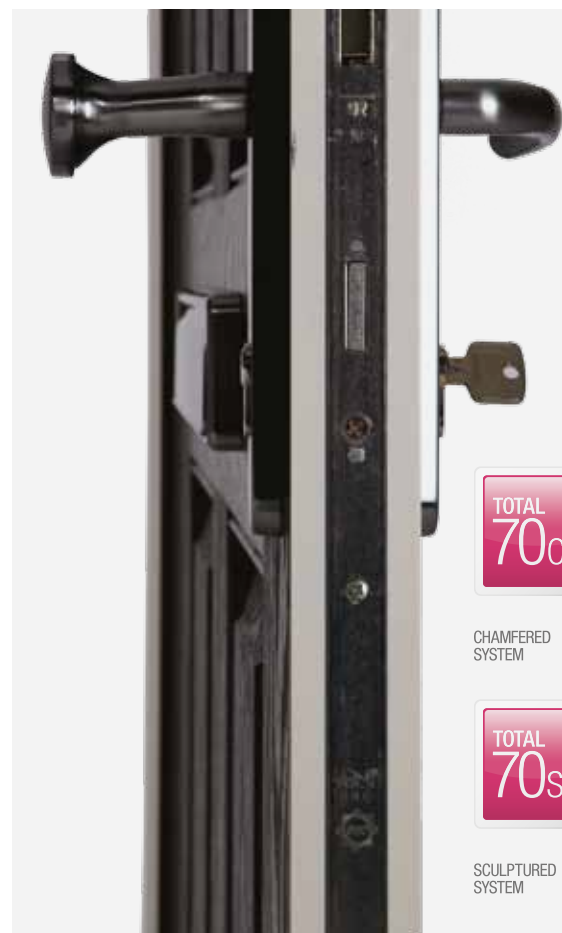


## OUR REHAU 70MM WINDOW AND DOOR SYSTEMS ARE MARKET LEADERS

The TOTAL70 Chamfered Composite Door System has been manufactured from our high performance weather resistant and impact modified RAU-PVC1406, a material that has proven itself in over 25 years of window production.

It is extruded in-house to our stringent quality controls incorporating a quality assurance system to BS EN/ISO 9001 ensuring consistency of quality.

The product is engineered for strength and durability and ease of installation.



### UK & IRELAND SALES OFFICES

**London:** REHAU Ltd, The Building Centre,  
25 Store Street, London WC1E 7BT.  
Phone: 0207 580 6155 Fax: 0207 307 8595

**Slough:** Units 5 J & K, Langley Business Centre,  
Station Road, Langley, Slough SL3 8DS.  
Phone: 01753 588500 Fax: 01753 588501

**Manchester:** Brinell Drive, Irlam, Manchester M44 5BL.  
Phone: 0161 777 7400 Fax: 0161 777 7401

**Glasgow:** Phoenix House, Phoenix Crescent,  
Strathclyde Business Park, Bellshill, North Lanarkshire ML4 3NJ.  
Phone: 01698 503700 Fax: 01698 503701

**Dublin:** 9 St. Johns Court, Business Park,  
Swords Road, Santry, Dublin 9.  
Phone: 00353 (0)1 8165020 Fax: 00353 (0)1 8165021

**GET IN TOUCH:** Now there are even more ways to stay in touch.

 Find us  
REHAUwindows

 Follow us  
@REHAUwindows

 See us  
REHAUwindows

 Look for  
REHAUwindows

 Connect to  
REHAUwindowsuk



## TOTAL70 – THE MORE COMPLETE COMPOSITE DOOR SYSTEM

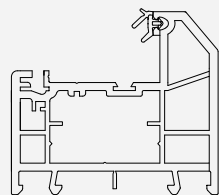


## REHAU TOTAL70 is a market leading premium system that delivers real flexibility.

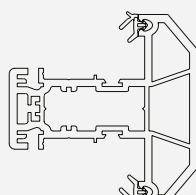
Further enhancing the range is the introduction of the new composite door profile range.

The new versatile profiles allow for a multitude of door combinations and styles to compliment the already superior window range.

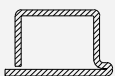
Within this range we can accommodate numerous door slab and glazing options giving the full benefits of PVC such as durability, low maintenance and excellent thermal properties without compromising on the looks of a traditional wooden door.



Outerframe  
Art.546405



Transom  
Art.546406



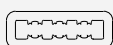
Reinforcement  
35 x 22 x 28 x 2mm  
Art.200023



Reinforcement  
31.5 x 21.5 x 14 x 1.5mm  
Art.217899



Reinforcement  
35 x 12 x 1.5mm  
Art.287798



Screwported Aluminium  
35 x 12mm  
Art.200509



12mm Brushpile  
Art.201317

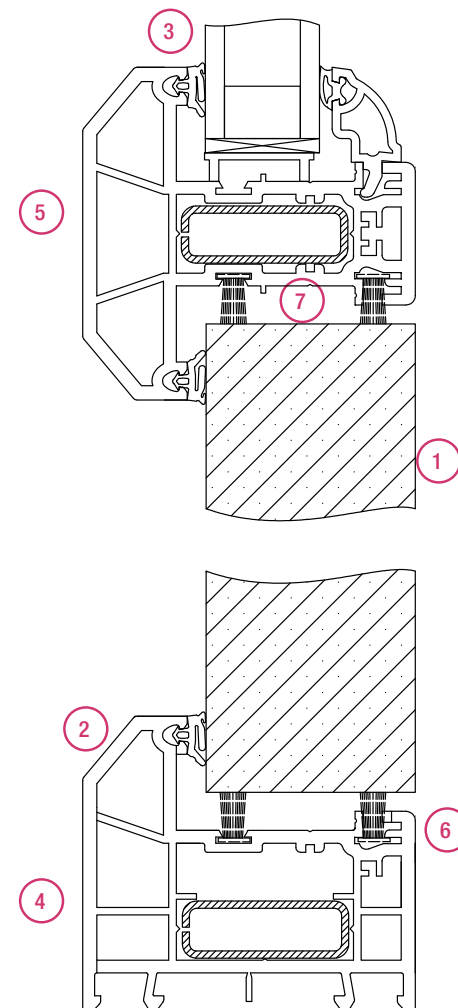
The Composite Door profile range compliments the already successful TOTAL 70 window and door system.

Design features and benefits:

- 1 Suitable for 44mm door slabs
- 2 Classic chamfered design to match TOTAL 70c window system
- 3 Integral gasket as standard
- 4 Slimmer sightlines allows for use in narrower door openings
- 5 Transom allows for top light glazing – more flexibility and choice
- 6 Multi-function groove detail to allow both brushpile and standard REHAU glazing beads
- 7 Dual brushpile seal possible if required

- Mechanical joint option available
- Full range of colour laminate options available
- Optimised outer frame profile lengths
- Double brushpile seals – Positions allow for clear drainage path for both internally/externally opening doors
- DERS A rating achievable
- Potential for using a Tritec sash as a opening vent above a door

## ASSEMBLY DETAIL



For more information on our wide product range visit  
[www.rehau.uk/windows](http://www.rehau.uk/windows) or call 01989 762600