



GRP products for the home improvements market, door canopies, porch roofs, bow canopies, columns & more.



In this brochure we've shown our base product range however we tailor many of these items to suit, If you don't see exactly what you are after, ask, we will try our best to accommodate, within design tolerance limits. The range options include, any size, high gloss finish, range of colours fully insulated, maintenance free, 10 year guarantee, any shape including multi facets and a choice of facia designs.

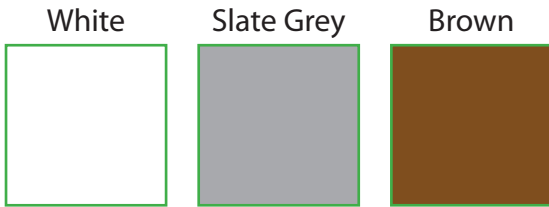
- 3-11**      **Door Canopies**
  - 3 Alderbury
  - 4 Newmarket
  - 5 Haymarket
  - 6 Woodstock
  - 7 Timbervale
  - 8 Westbury
  - 9 Hopberry
  - 10 Mk1 & 2
  - 11 Mk3
- 12-13**    **Pillars & Columns**
  - 12 Romanesque Pillars
  - 13 Grecian Columns
- 14**        **Brackets**
  - 14 Brackets
- 15-18**    **Bows & Bases**
  - 15 Tailormade Canopies
  - 16 Bow Canopies
  - 18 Base Units
- 19-23**    **Roofs**
  - 19 Solid Roofs Desc.
  - 20 Flexi Roof
  - 22 Colwall
  - 23 Evesham
  - 24 Orangery
- 25**        **Finials**
  - 25 Finials
- 26-27**    **Gallery**

Colour samples shown are a guide only and may vary on finished products.  
 Sizes may vary + / - 10mm on finished items as all items are hand made.

The Alderbury is a grand, elegantly styled GRP door canopy. The lead-effect roof on this canopy is available with a scalloped edge and is compatible with our columns.

## Colour Options

### Top Colour Options



The colours shown are our standard colours, we can if necessary match any RAL or BS colour

### Base Colour Options



## Support Options

Any of the following support methods are available for the Alderbury Canopy:

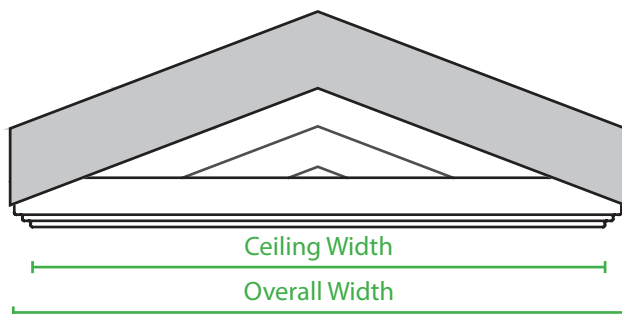
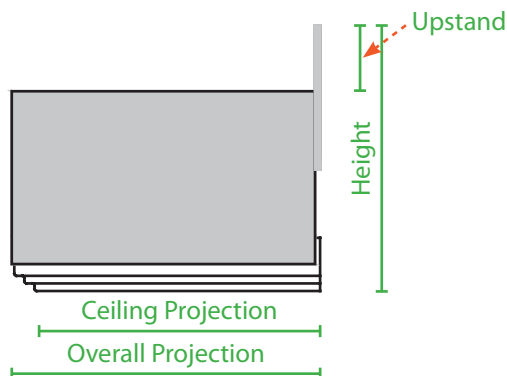
- Smooth Columns
- Fluted Columns



## Extra Options

- Cutouts
- Flatsides
- Downlights

## Size Options



Ceiling Width (CW)	Overall Width	Ceiling Projection (CP)	Overall Projection	Height	Upstand
2515 mm	2655 mm	Variable 0-2000 mm	CP + 70 mm	795 mm	80 mm

A variable width, flat topped, lead-look canopy with a smooth edge detail. The main body of the Newmarket canopy has a smooth finish and the plain edged top can be supplied in lead-grey, white, or brown.

## Colour Options

### Top Colour Options

White



Slate Grey



Brown

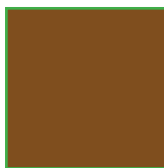


### Base Colour Options

White



Brown



The colours shown are our standard colours, we can if necessary match any RAL or BS colour

## Support Options

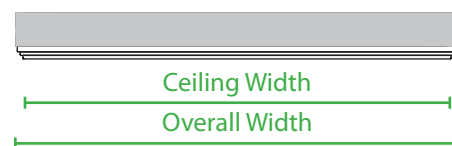
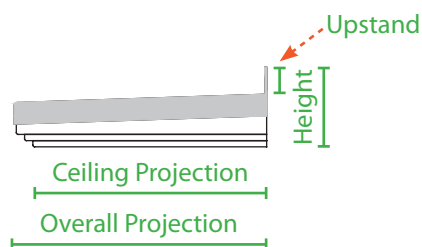
Any of the following support methods are available for the Newmarket Canopy:

- Unsupported
- Mk2 Legs
- Mk3 Legs
- 2400 Gallows
- Romanesque Pillars

## Extra Options

- Cutouts
- Flatsides
- Downlights

## Size Options



Ceiling Width (CW)	Overall Width	Ceiling Projection (CP)	Overall Projection	Height	Upstand
Variable 0-3000 mm	CW + 130 mm	555 mm	620 mm	200 mm	65 mm



The Haymarket is a traditional, elegantly styled GRP door canopy. The lead-effect roof on this canopy is available with a smooth edge and is compatible with various support options.

## Colour Options

### Top Colour Options

White



Slate Grey



Brown



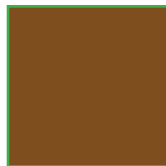
The colours shown are our standard colours, we can if necessary match any RAL or BS colour

### Base Colour Options

White



Brown



## Support Options

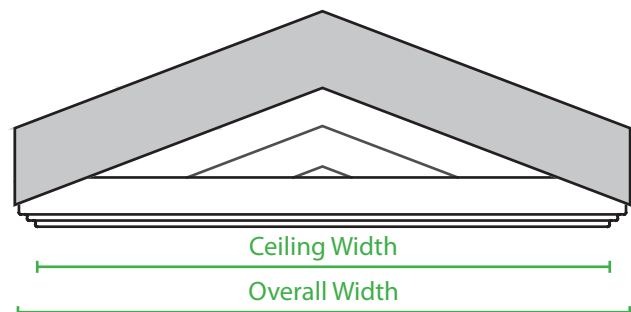
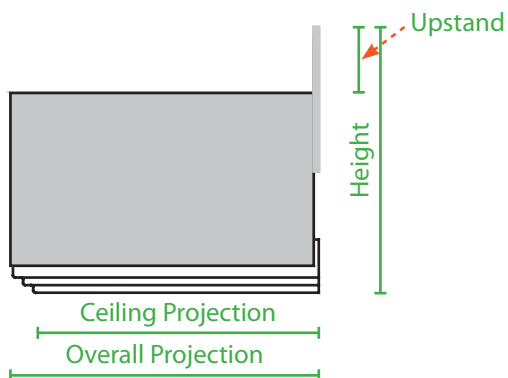
Any of the following support methods are available for the Haymarket Canopy:

- Unsupported
- Mk2 Legs
- Mk3 Legs
- 2400 Gallows
- Romanesque Pillars

## Extra Options

- Cutouts
- Flatsides
- Downlights

## Size Options



Ceiling Width (CW)	Overall Width	Ceiling Projection (CP)	Overall Projection	Height	Upstand
Variable 0-3000 mm	CW + 130 mm	555 mm	620 mm	Variable on width	65 mm

A traditional, cottage style canopy with timber grain effect sides and fascia, the Woodstock is fabricated entirely from GRP.

## Colour Options

### Top Colour Options

Terracotta



Red Brick



Grey



### Base Colour Options

White



Brown



The colours shown are our standard colours, we can if necessary match any RAL or BS colour

## Support Options

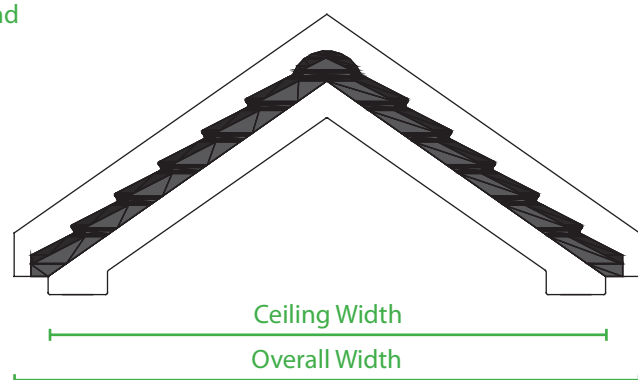
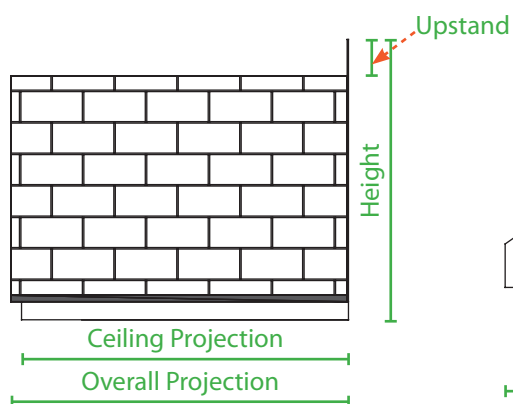
Any of the following support methods are available for the Woodstock Canopy:

- Unsupported
- Mk1 Legs
- Mk2 Legs
- Mk3 Legs
- 2400 Gallows
- Romanesque Pillars

## Extra Options

- Cutouts
- Flatsides
- Starburst

## Size Options



Ceiling Width (CW)	Overall Width	Ceiling Projection (CP)	Overall Projection	Height	Upstand
1300, 1500, 1730 mm	CW + 140 mm	760 mm	790 mm	670, 735, 895 mm	75 mm

A traditional, cottage style canopy with timber grain effect sides and fascia, the Timbervale is fabricated entirely from GRP.

## Colour Options

### Top Colour Options

Terracotta



Red Brick



Grey

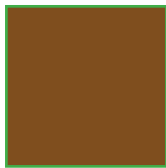


### Base Colour Options

White



Brown



The colours shown are our standard colours, we can if necessary match any RAL or BS colour

## Support Options

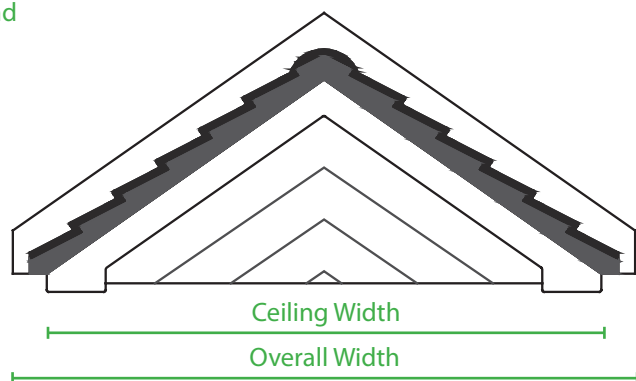
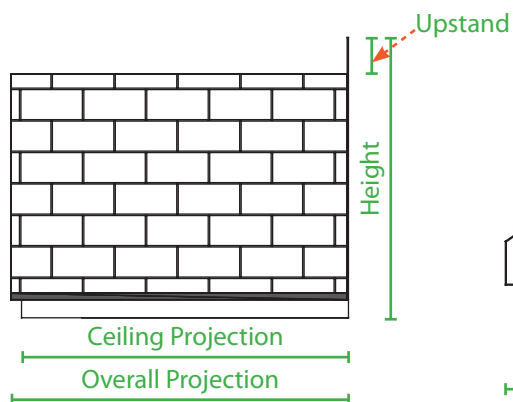
Any of the following support methods are available for the Timbervale Canopy:

- Unsupported
- Mk1 Legs
- Mk2 Legs
- Mk3 Legs
- 2400 Gallows
- Romanesque Pillars

## Extra Options

- Cutouts
- Flatsides
- Downlights

## Size Options



Ceiling Width (CW)	Overall Width	Ceiling Projection (CP)	Overall Projection	Height	Upstand
1300, 1500, 1730 mm	CW + 140 mm	760 mm	790 mm	670, 735, 895 mm	75 mm



A traditional style, mono-pitch canopy constructed entirely from GRP, the Westbury has a tile effect roof available in slate-grey, red-brick or terracotta.

## Colour Options

### Top Colour Options

Terracotta



Red Brick



Grey

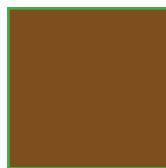


### Base Colour Options

White



Brown



The colours shown are our standard colours, we can if necessary match any RAL or BS colour

## Support Options

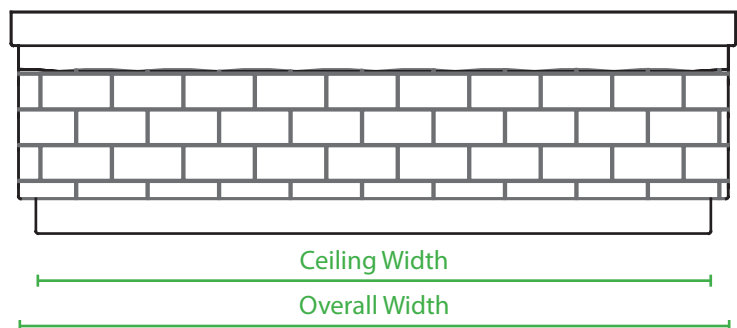
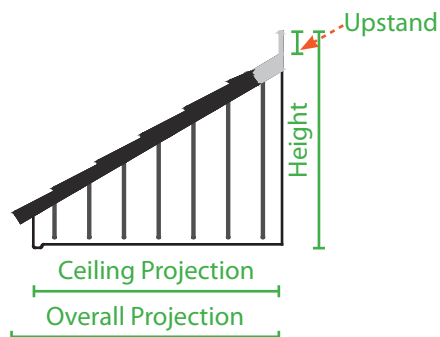
Any of the following support methods are available for the Westbury Canopy:

- Unsupported
- Mk1 Legs
- Mk2 Legs
- Mk3 Legs
- 2400 Gallows
- Romanesque Pillars

## Extra Options

- Cutouts
- Flatsides
- Downlights

## Size Options



Ceiling Width (CW)	Overall Width	Ceiling Projection (CP)	Overall Projection	Height	Upstand
0-3000 mm	CW + 100 mm	720 mm	770 mm	595 mm	50 mm



The Hopberry overdoor canopy is a variable width, mono-pitch canopy with timber grain effect sides and fascia with a tile effect roof available in slate-grey, red-brick or terracotta.

### Colour Options

#### Top Colour Options

Terracotta



Red Brick



Grey



#### Base Colour Options

White



Brown



The colours shown are our standard colours, we can if necessary match any RAL or BS colour



### Support Options

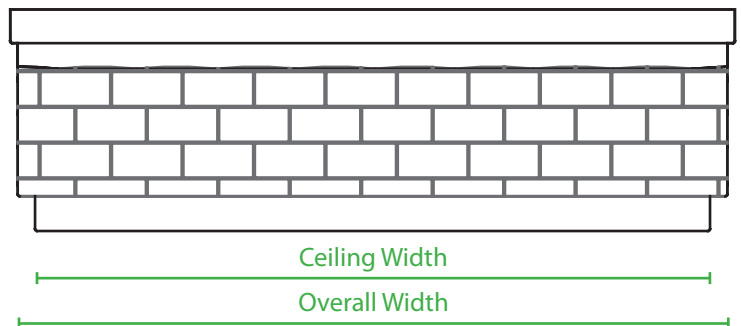
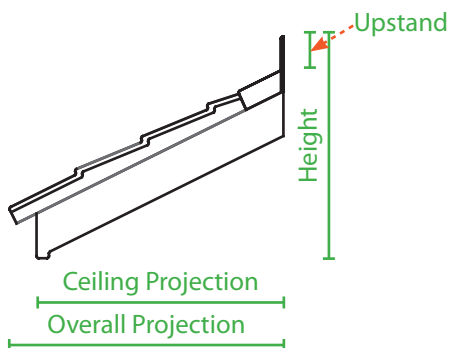
Any of the following support methods are available for the Hopberry Canopy:

- Hopberry Legs

### Extra Options

- Cutouts
- Flatsides

### Size Options

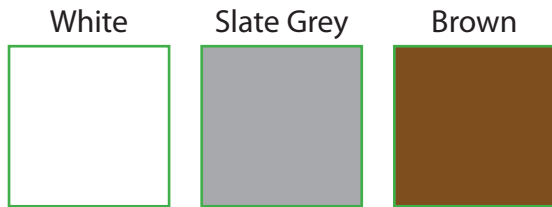


Ceiling Width (CW)	Overall Width	Ceiling Projection (CP)	Overall Projection	Height	Upstand
0-3000 mm	CW + 60 mm	545 mm	CP + 50 mm	430 mm	50 mm

The Mk1 & Mk2 overdoor canopies are very stylish maintenance free products. The Mk1 canopy fronts a plain and simple fascia design where as the Mk2 canopy has a much grander fluted fascia design.

### Colour Options

#### Top Colour Options



#### Base Colour Options



Mk2 Canopy with 2400 Gallows Brackets

### Support Options

Any of the following support methods are available for the Mk1 & 2 Canopy:

- Unsupported
- Mk2 Legs
- Mk3 Legs
- 2400 Gallows
- Romanesque Pillars



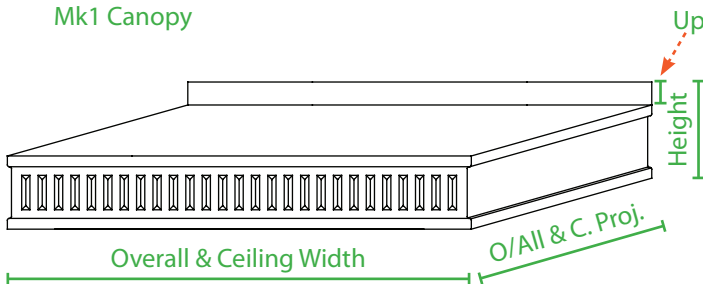
Mk1 Canopy unsupported

### Extra Options

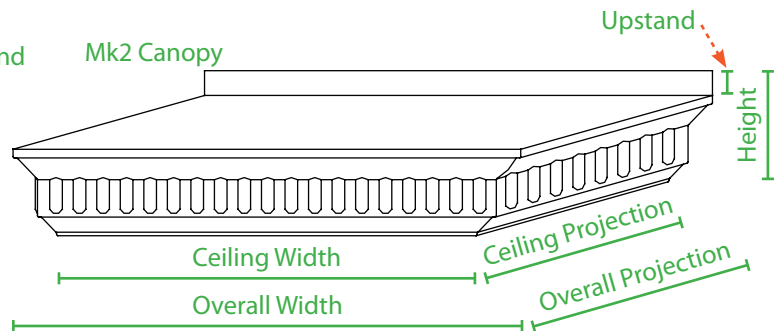
- Cutouts
- Flatsides
- Downlights

### Size Options

Mk1 Canopy



Mk2 Canopy

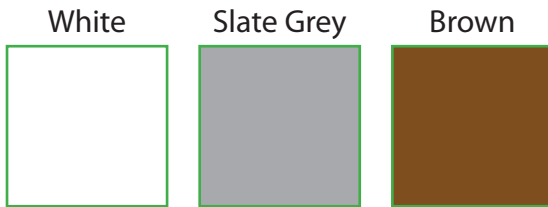


Canopy	Ceiling Width (CW)	Overall Width	Ceiling Projection (CP)	Overall Projection	Height	Upstand
Mk1	0-3000 mm	CW + 20 mm	555 mm	565 mm	280 mm	90 mm
Mk2	0-3000 mm	CW + 220 mm	500 mm	610 mm	300 mm	90 mm

The Mk3 is a decorative high gloss overhead canopy. Although this canopy is self supporting it can optionally be accompanied by our Romanesque pillars.

## Colour Options

### Top Colour Options



### Base Colour Options

The colours shown are our standard colours, we can if necessary match any RAL or BS colour



## Support Options

Any of the following support methods are available for the Mk3 Canopy:

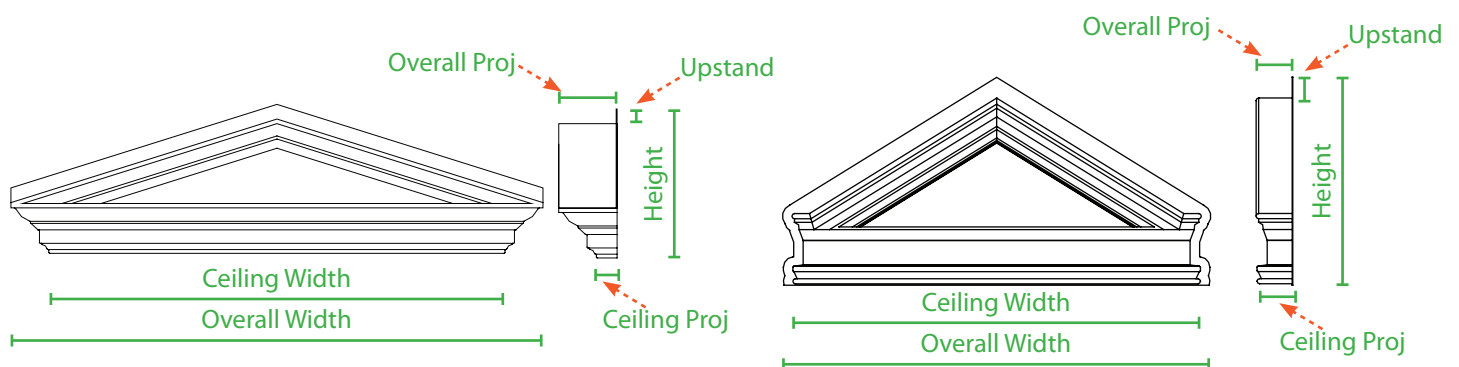
- Unsupported
- Romanesque

## Extra Options

- Cutouts
- Flatsides



## Size Options



Canopy	Ceiling Width (CW)	Overall Width	Ceiling Projection (CP)	Overall Projection	Height	Upstand
Mk3 A	1546 mm	1810 mm	68 mm	200 mm	508 mm	50 mm
Mk3 B	1490 mm	1585 mm	121 mm	136 mm	766 mm	70 mm

# romanesque pillars

pillars & columns

Romanesque pillars are a decorative high gloss pillar which can accompany many of our door canopies. we have 3 types to choose from, Type A,B or C.

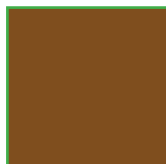
## Colour Options

Romanesque pillars come in one colour all over

### Colour Options

White

Brown



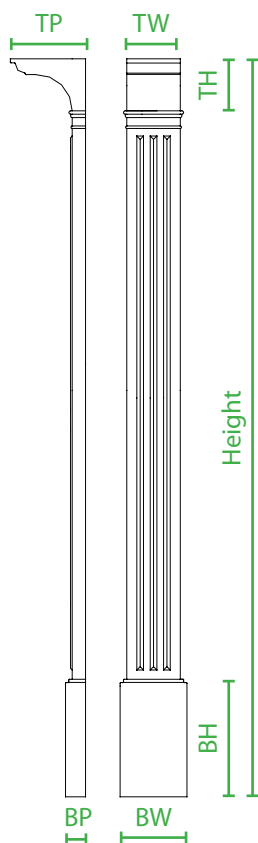
The colours shown are our standard colours, we can if necessary match any RAL or BS colour



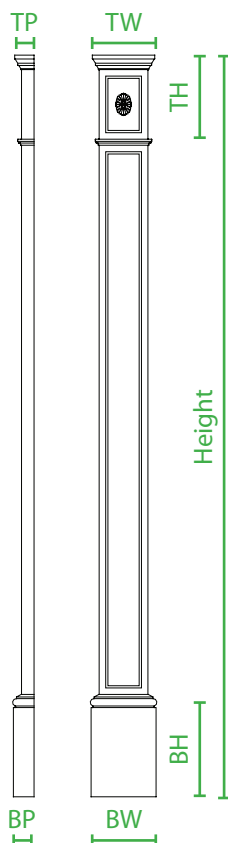
Type C pillars

## Size Options

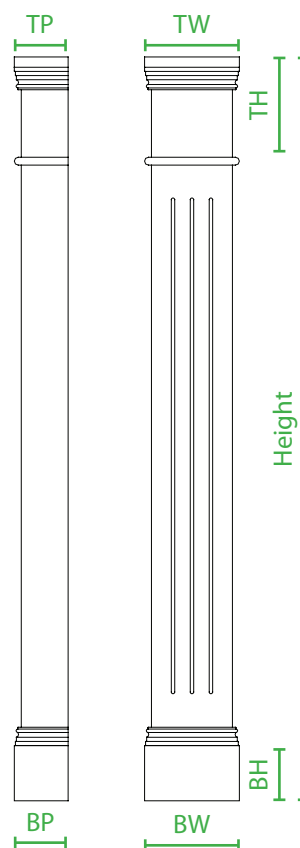
Type A



Type B



Type C



Pillar	Height	TH	BH	TW	BW	TP	BP
Type A	2365 mm	155 mm	482 mm	160 mm	200 mm	225 mm	60 mm
Type B	2300 mm	260 mm	277 mm	173 mm	200 mm	60 mm	64 mm
Type C	2155 mm	290 mm	160 mm	275 mm	275 mm	156 mm	156 mm



# grecian columns

pillars & columns

Grecian columns are a decorative high gloss hollow column. We have 2 types to choose from, Plain or Fluted.

## Colour Options

Romanesque pillars come in one colour all over

### Colour Options

White



Brown

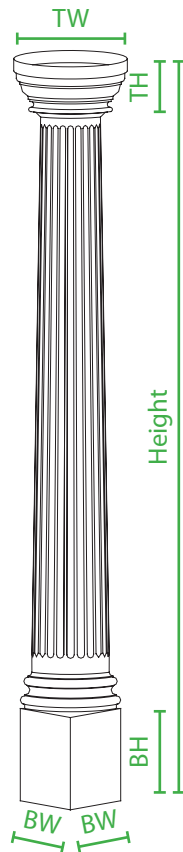
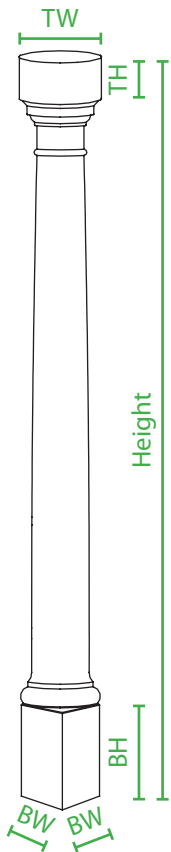


The colours shown are our standard colours, we can if necessary match any RAL or BS colour

## Size Options

Smooth

Fluted



Smooth columns shown with our flexi roof



Fluted columns shown with our flexi roof

Column	Height	TH	BH	TW	BW
Smooth	2460 mm	140 mm	300 mm	283 mm	265 mm
Fluted	2560 mm	180 mm	320 mm	400 mm	350 mm

We have various bracket as shown below that can be used in a multitude of scenarios.

## Colour Options

Brackets come in one colour all over

### Colour Options

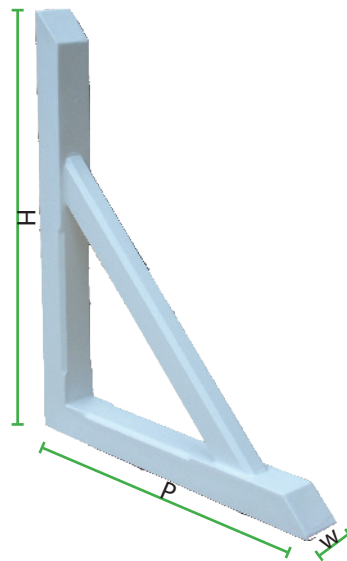
White

Brown

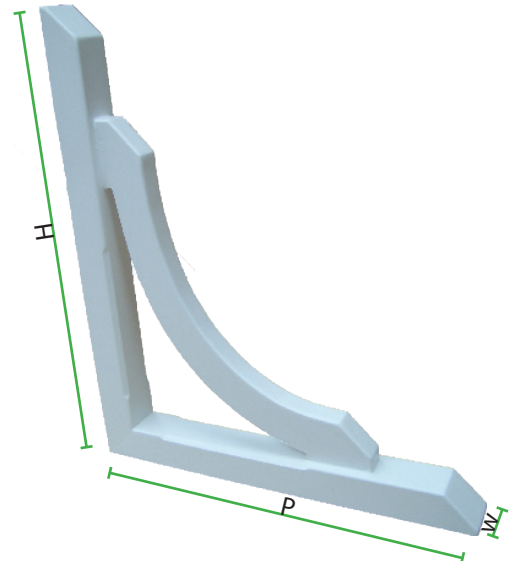


The colours shown are our standard colours, we can if necessary match any RAL or BS colour

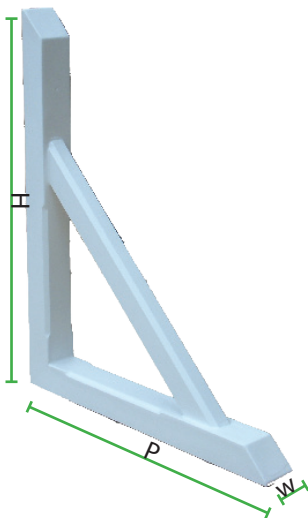
Mk1 Straight



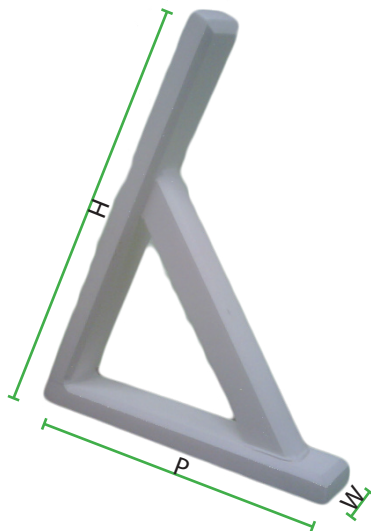
Mk1 Curved



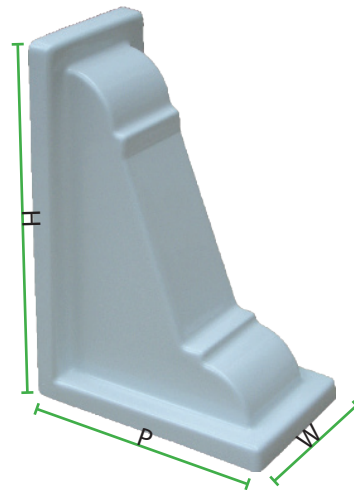
Mk3



Hopberry Leg



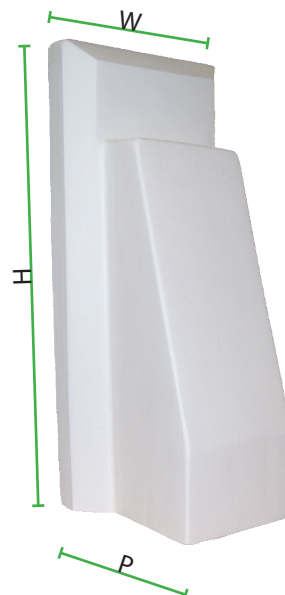
1800, 2400, 3100



Mk2



Eaves Leg



Bracket	Height	Width	Projection
1800	350 mm	160 mm	170 mm
2400	350 mm	155 mm	245 mm
3100	400 mm	150 mm	305 mm
Mk1	753 mm	70 mm	625 mm
Mk1 Curved	753 mm	70 mm	625 mm
Mk2	455 mm	130 mm	170 mm
Mk3	555 mm	70 mm	455 mm
Eaves	255 mm	100 mm	100 mm
Hopberry	620 mm	70 mm	470 mm

# tailormade bay canopies

bows &amp; bases

Our tailormade bay canopies are perfect when you are replacing a canopy on existing frames and our standard range will not work, or you require a specific size.

## Colour Options

### Top Colour Options

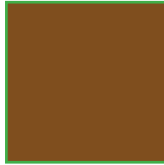
White



Slate Grey



Brown

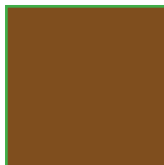


### Base Colour Options

White



Brown



The colours shown are our standard colours, we can if necessary match any RAL or BS colour



Hanley fascia in white with black lid

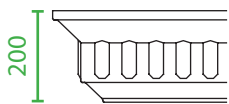
## Extra Options

- Cutouts
- Flatsides
- Soffits
- Angled Fascia
- Downlights

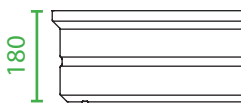
## Size & Fascia Options

The tailormade canopy can be made any width and any projection, it can have as many or as little angled fascia as you require. Just send us the sizes you want and we can make it!

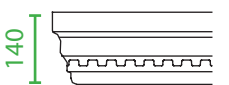
Hanley



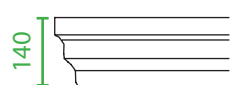
Traditional



Victorian



Regency



Victorian fascia in white with slate grey lid



Victorian fascia close up



# bow canopies

bows &amp; bases

Our bow canopies are the best way to improve the look of your home, bringing quality and first class design together. All our bow canopies are made from tough GRP and is a one peice construction

## Features of the Bow Canopies:

- ✔ 8 Standard canopies to choose from (1500-3400)
- ✔ Fluted fascia design
- ✔ High gloss finish to fascia & ceiling
- ✔ Quick & Easy Installation
- ✔ Flat top & blank end alterations available
- ✔ Maintenance free
- ✔ Foam Filled as standard
- ✔ Next day delivery available
- ✔ 10 year guarantee against water ingress
- ✔ Frame layouts available on request

## Colour Options



Bow canopy with 5 facet frame layout

## Colour Options

White



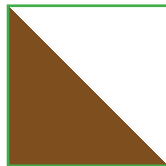
3 standard shades; ultra, standard & d/plas

Brown



3 standard shades; brazillia, rose-wood & light oak

Two Tone



combination of white & brown inside or out

The colours shown are our standard colours, we can if necessary match any RAL or BS colour



Bow canopy with 4 facet frame layout



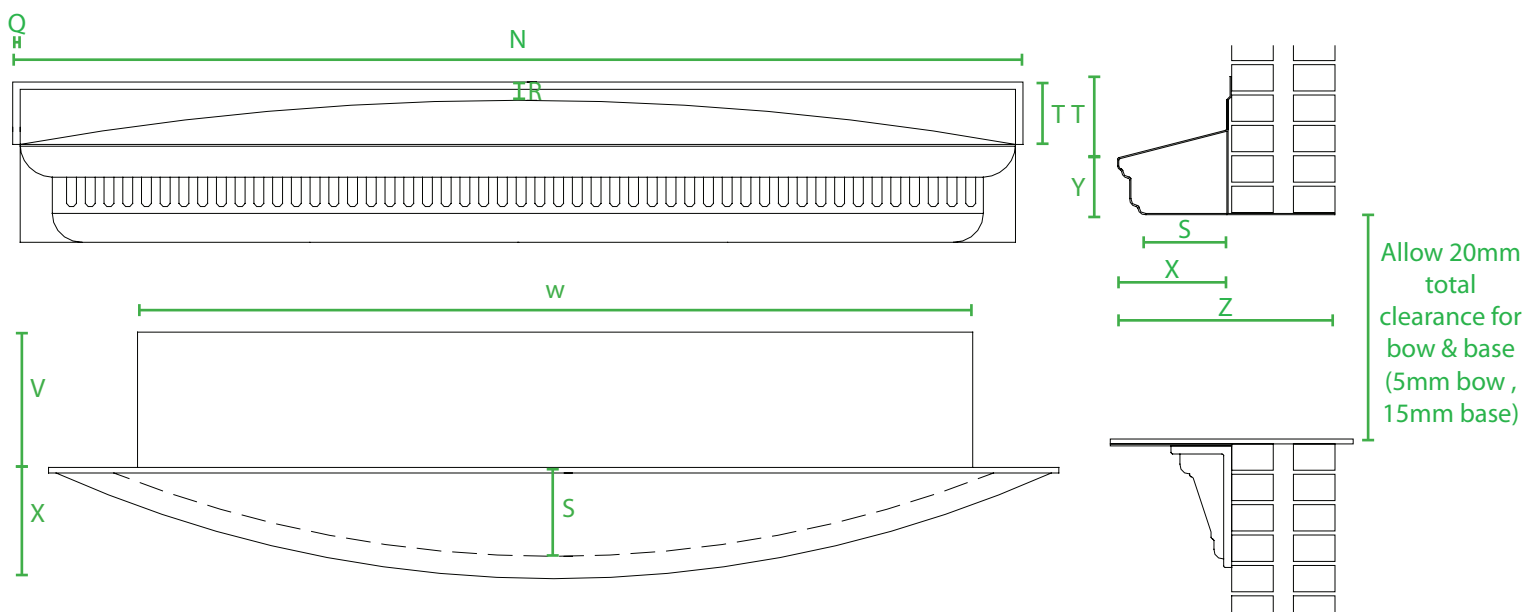
Bow canopy with 4 facet frame layout



Bow canopy with 3 facet frame layout

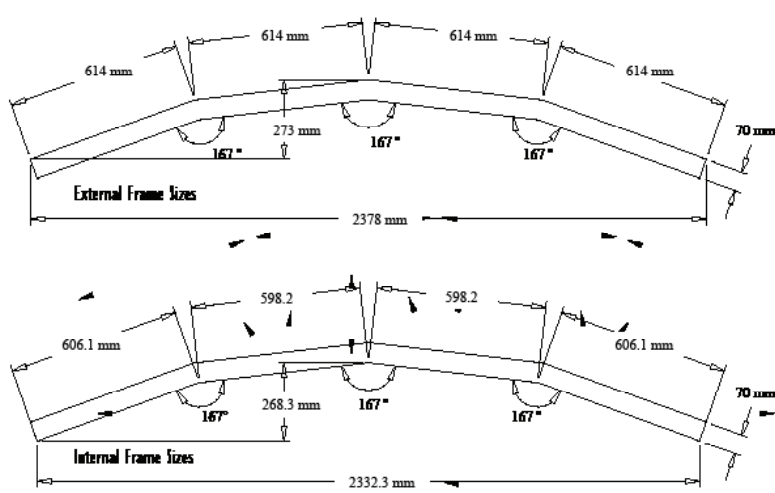


## Size Options



Bow Type	N	Q	R	S	T	V	W	X	Y	Z
1500	2070	40	70	220	100	320	1710	310	190	630
1800	2430	40	70	200	160	470	1850	270	150	740
2100	2430	40	70	280	135	480	2150	280	150	760
2400	2930	40	70	310	180	390	2450	390	150	780
2600	3140	40	70	400	190	340	2650	450	150	790
2800	3160	40	70	310	190	380	2850	410	150	790
3100	3615	40	70	500	230	365	3300	600	150	965

FAO Sample @ Sample Windows Ref - Sample



### 4 Facet Bow layout

**Input Information**  
 Brick to Brick opening: 2378mm  
 Frame Thickness: 70mm  
 Number of Facets: 4  
 If any of the input information is incorrect then please advise ASAP with the correct information

\*\*\*  
 We recommend use of the 2400 Bow canopy and the 2400 base cill  
 \*\*\*

**Frame Heights**  
 To calculate frame height first make all normal allowances as if a flat window was to be fitted. Next deduct 5mm if you are using a bow canopy. Finally deduct for the base cill if you are using one, 18mm for a 3100 or 3400 base or 13mm for any other size.

\*\* This drawing is NOT to scale \*\*

**Glassfibre Solutions**  
 building for tomorrow

Glassfibre Solutions Ltd  
 Unit 2 Alton Works, Long Bank  
 Bewdley, Worcestershire, DY12 2UJ  
 Website: www.glassfibre-solutions.com  
 Email: sales@glassfibre-solutions.com

#### Notes

1. We have not made any allowances for a fixing tolerance at the reveals, this should be done before the bow layout is generated.
2. All sizes are shown in mm.
3. We have not made any allowances for baypoles or corner-posts, all measurements are taken to the meeting point of the lines, in the case of the external sizes this is obviously an imaginary point.
4. The frame thickness size is crucial to the accurate generation of internal frame sizes, if it is not correct then please let us know and we will correct it. If it is unknown at the time of input then zero values will be returned for all internal sizes.
5. The above frame layout will fit below our bow canopy provided that it is fitted level with or behind the line of the canopies back upstand.
6. This is a standard frame layout and as such does not take anything unusual into account, if you have any doubts then please contact us.
7. It is recommended that you use a welded PVCu external cill, this then sits on top of the fibreglass base cill unit.

Not sure what to size to make your frames?

We can produce within minutes a frame layout specific to your sizes, just let us know your brick to brick opening, frame thickness, how many facets your require and your fax number and we will get it faxed over to you... even better its FREE!

Our base cills comprise mainly a piece of 12mm external grade board this is bonded onto a fibreglass sheet which incorporates pre-formed gallows bracket(s) and serves as the external face.

Features of the Bow Canopies:

- ✔ 6 Standard canopies to choose from (1800-3400)
- ✔ High gloss finish to external faces
- ✔ Quick & Easy Installation
- ✔ Maintenance free
- ✔ Next day delivery available
- ✔ 10 year guarantee against water ingress

## Colour Options

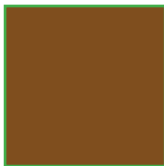
### Colour Options

White



3 standard shades; ultra, standard & d/plas

Brown



3 standard shades; brazillia, rose-wood & light oak

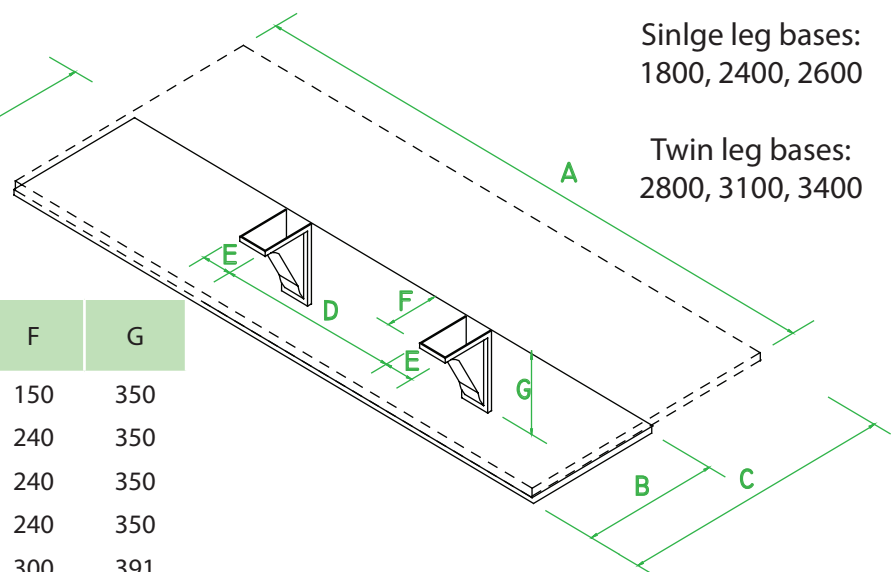
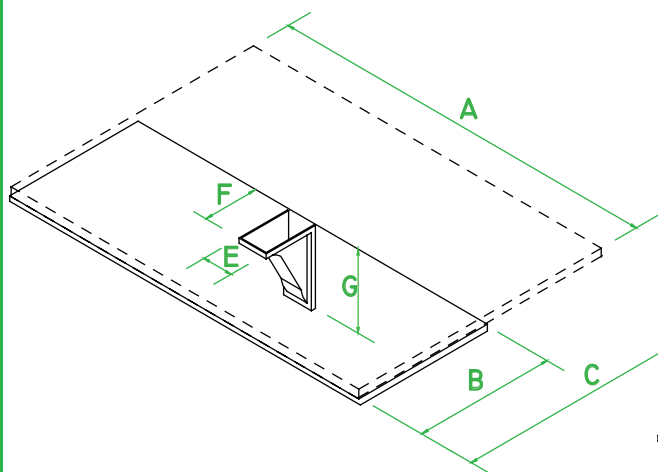
The colours shown are our standard colours, we can if necessary match any RAL or BS colour



Base unit with 1 gallows bracket



Base unit with 2 gallows brackets



Single leg bases:  
1800, 2400, 2600

Twin leg bases:  
2800, 3100, 3400

Base Type	A	B	C	D	E	F	G
1800	2440	315	700	n/a	160	150	350
2400	2440	315	700	n/a	155	240	350
2600	2600	330	760	n/a	155	240	350
2800	2800	430	760	842	155	240	350
3100	3100	500	760	1083	170	300	391

## Why choose a solid roof?

At Glassfibre Solutions we manufacture our very own solid porch and conservatory roofs. In today's climate where thermal properties and heat retention is important our roofs are perfect for the job! not just beautiful but practical, by using our roofing you can build a room for use all year round! just have a look at the further benefits our roofs have;

Insulated core prevents excessive heat build-up during the summer and allows for the retention of heat during the winter.



The thermal properties of the roof are such that it can be used on extensions and as a substitute for normal flat roofing as well as for conservatories & porches (U value is 0.206W/m<sup>2</sup>k). The strength of the roof is such that walking around on it is completely safe without crawlingboards etc. This allows easy access to any upstairs windows which are above the conservatory and need cleaning or painting.



Because the roof is solid any leaves, bird droppings etc. cannot be seen from inside and therefore the conservatory will always look cleaner from inside.



The method of construction of our roofs is very similar to the construction of boat hulls therefore they are far less likely to develop a leak than a glazed roof which relies on rubber gaskets for its water seals.



Guttering is all concealed behind the decorative fascia and therefore the roof looks more attractive. Almost any size or shape of roof can be made.



The fascia can be a different colour to the ceiling if required, colours can be matched to any B.S. number.



Electrical conduits can be built into the roof and positioned to suit your requirements. We can if requested take this a stage further and build recessed light fittings into the roof.



Skylights can be built into the roof on request where lack of daylight is a concern.

*the solution for all year round living*



The Flexi conservatory roof is one of our most versatile products as we can tailor-make this product to your exact frame sizes, the roof can be manufactured with cutouts for brick pillars or soil pipes, flat ends for corner situations and can incorporate down lights to give it that finishing touch. This roof really is perfect for a quick, clean, and easy installation. Features of the Flexi Roof:

- ✓ Any size (5000x3500 ext. frame in one peice, jointed thereafter)
- ✓ Any shape including multiple facets
- ✓ 4 fascia designs
- ✓ Plank lined ceiling
- ✓ High gloss finish to fascia & ceiling
- ✓ Fully insulated
- ✓ Cutouts available
- ✓ Soffit details can be accomodated
- ✓ Downlights can be factory fitted
- ✓ Quick & Easy Installation
- ✓ Maintenance free

### Colour Options

#### Colour Options

##### White



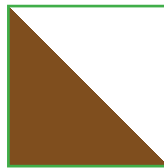
3 standard shades; ultra, standard & d/plas

##### Brown



3 standard shades; brazillia, rose-wood & light oak

##### Two Tone



combination of white & brown inside or out

The colours shown are our standard colours, we can if necessary match any RAL or BS colour



Flexi conservatory in white with Hanley Fascia with angled fascia



Flexi porch in light oak with Hanley Fascia



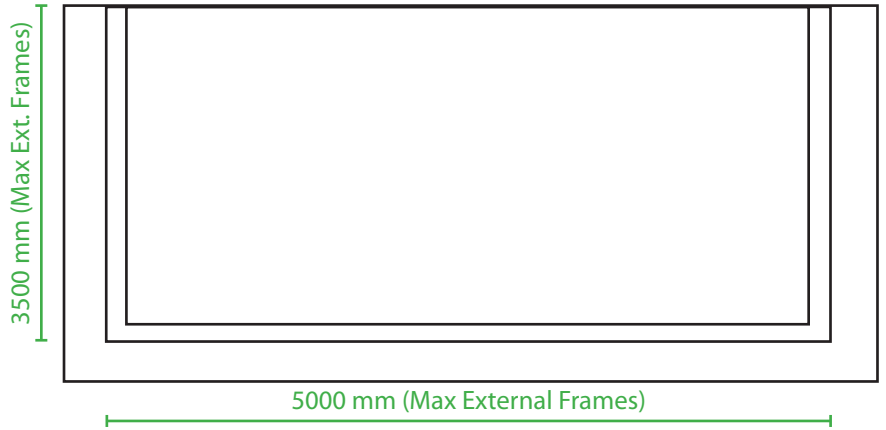
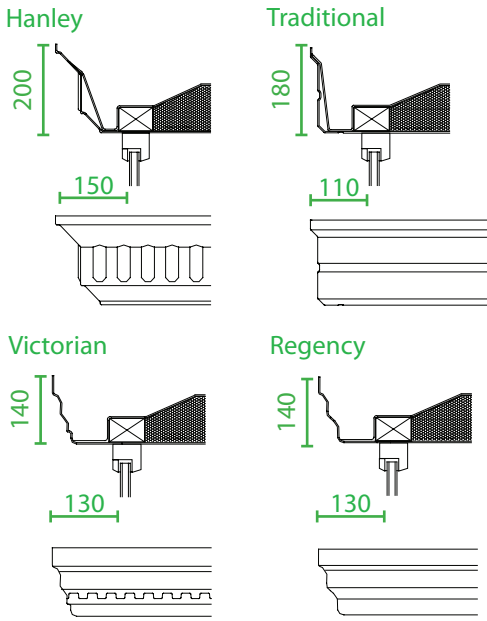
Flexi porch in white with Hanley Fascia in a corner situation



Flexi porch in white with Hanley Fascia



## Fascia & Size Options

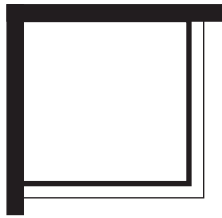


The maximum one piece roof is 5000mm x 3500mm external frame sizes. The roof can be jointed in either the width OR the projection to create bigger sizes. There are no limits on sizes when jointing the roofs.

## Extra Options

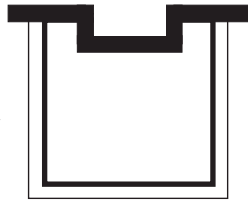
### Flatside

Flatsides can be manufactured into the roofs for corner installations



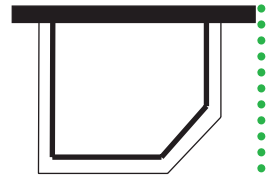
### Cutouts

Ideal for fitting around brick pillars or soil / drain pipes



### Angled Fascia

Angled fascias can be built into the roof, as many or little as required



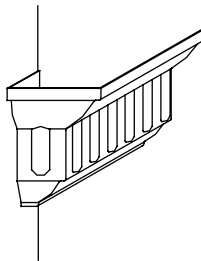
### Downlights

Downlights can be factory fitted into the roof, including conducting, heat dome, light, bulb and transformer.



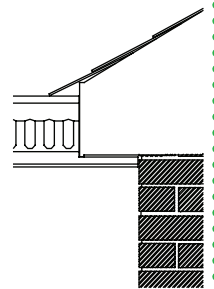
### Wrap Around Fascia

Ideal for when the roofs back upstand will become visible



### Soffit Detail

Run the ceiling of the roof back to the house wall whilst fixing the roof to the fascia



The flexi roof is a very versatile roof, you can combine all of the above on one roof if needs be. Guttering on the roof is concealed behind the fascia, all you need to do is attach your drain down pipe.

Please refer to our Technical Support Manual for further technical information.

The Colwall garden room roof is a set width roof with a variable projection. The Colwall is a vaulted vaulted roof with radial pattern internal ceiling.

Features of the Colwall roof:

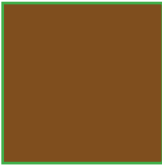
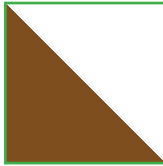
- ✓ Vaulted ceiling option
- ✓ Fluted fascia
- ✓ Decorative internal ceiling
- ✓ High gloss finish to fascia & ceiling
- ✓ Fully insulated
- ✓ Cutouts available
- ✓ Downlights can be factory fitted
- ✓ Wrap around fascia can be accommodated
- ✓ Quick & Easy Installation
- ✓ Maintenance free

Colour Options



Colwall roof in White

Colour Options

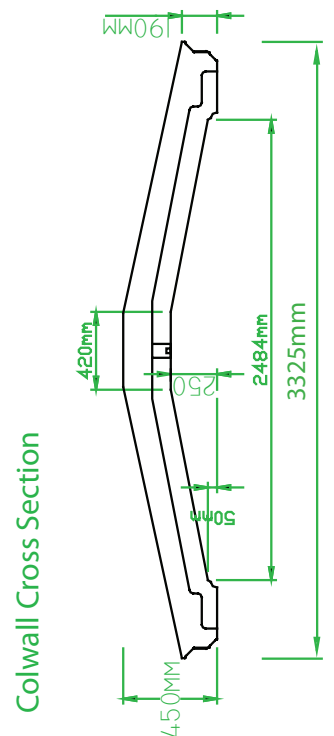
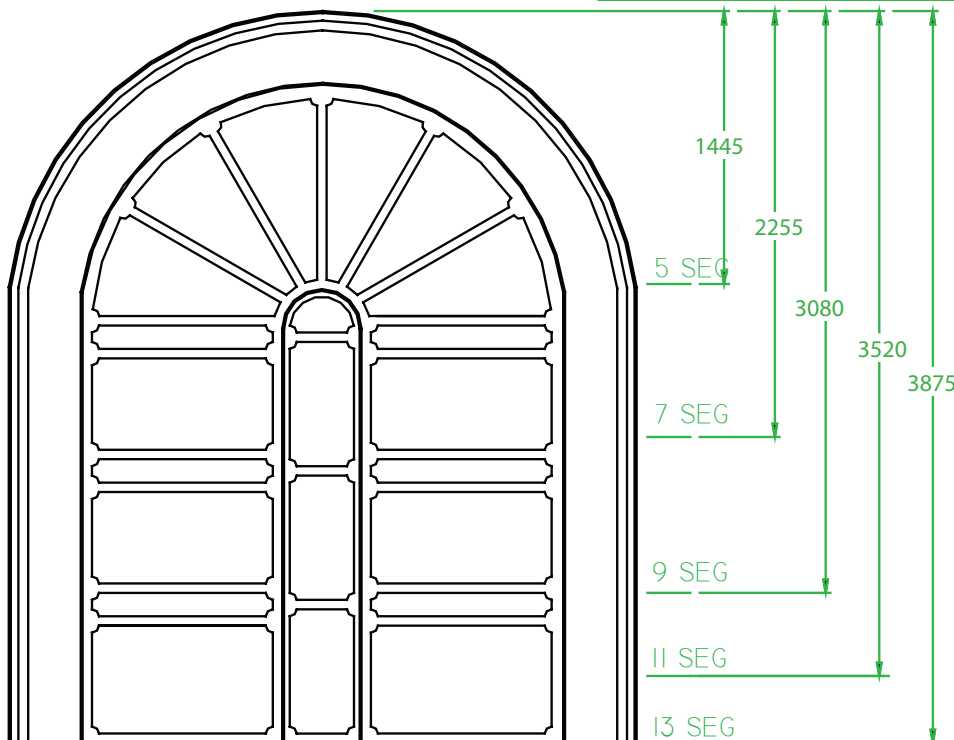
White	Brown	Two Tone
		
3 standard shades; ultra, standard & d/plas	3 standard shades; brazillia, rose-wood & light oak	combination of white & brown inside or out

The colours shown are our standard colours, we can if necessary match any RAL or BS colour

Size Options



Colwall roof combined with the Flexi roof



The Evesham roof is unique amongst our garden room roofs as the only one which allows the facility of altering the width from standard. We achieve this by inserting a central add on section as often as is necessary to gain the desired width.

Features of the Colwall roof:

- ✓ Vaulted ceiling option
- ✓ Unlimited width in steps of 1122mm
- ✓ Fluted fascia
- ✓ Decorative internal ceiling
- ✓ High gloss finish to fascia & ceiling
- ✓ Fully insulated
- ✓ Cutouts available
- ✓ Downlights can be factory fitted
- ✓ Wrap around fascia can be accommodated
- ✓ Quick & Easy Installation
- ✓ Maintenance free



Colwall roof in White

### Colour Options

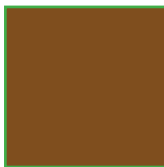
#### Colour Options

White



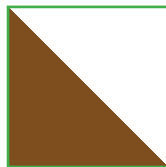
3 standard shades; ultra, standard & d/plas

Brown



3 standard shades; brazillia, rose-wood & light oak

Two Tone



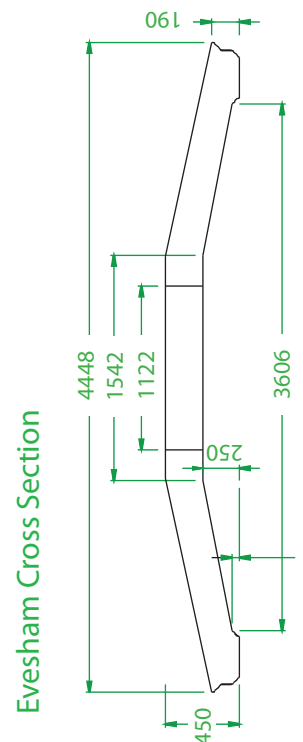
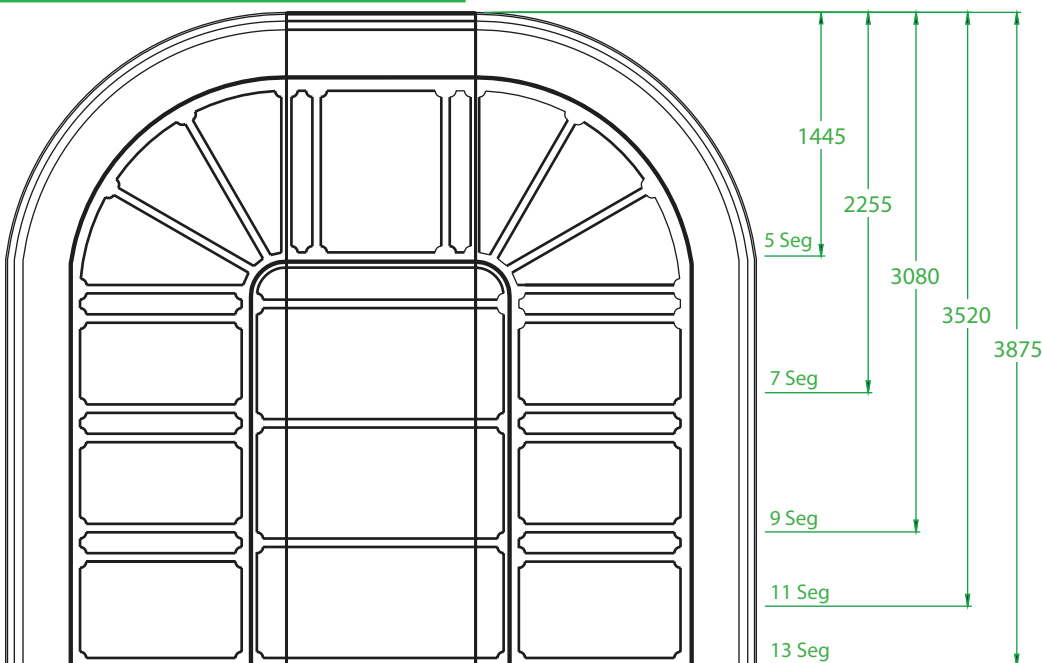
combination of white & brown inside or out

The colours shown are our standard colours, we can if necessary match any RAL or BS colour



Colwall roof combined with the Flexi roof

### Size Options



Evesham Cross Section



## COMING 2011

We are in the later stages of developing our new orangery system, an ideal system to combine with your own poly or glass roof system. We hope for this to be ready to go to market early summer 2011.



We have various finials as shown below that can be used in a multitude of scenarios.

## Colour Options

Finials come in one colour all over

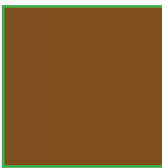
### Colour Options

White



3 standard shades; ultra, standard & d/plas

Brown



3 standard shades; brazillia, rose-wood & light oak

Black



combination of white & brown inside or out

The colours shown are our standard colours, we can if necessary match any RAL or BS colour



Finial shown in situ

## Spire top & bottom range



S960J

Joined on the length showing detail on front and back  
960 x 70 x 70 (l,w,d)

S960F

Flatback design with no detail on the reverse side  
960 x 70 x 30 (l,w,d)

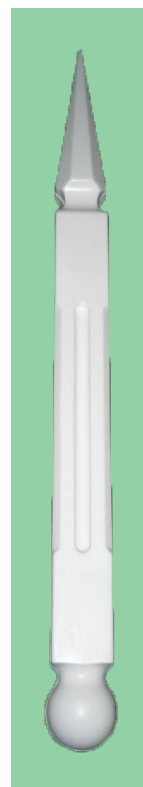
S1310J

Joined on the length showing detail on front and back  
1310 x 70 x 70 (l,w,d)

S1310F

Flatback design with no detail on the reverse side  
1310 x 70 x 30 (l,w,d)

## Spire & Ball range



BF900J

Joined on the length showing detail on front and back  
900 x 70 x 70 (l,w,d)

BF900F

Flatback design with no detail on the reverse side  
900 x 70 x 30 (l,w,d)

BF1050J

Joined on the length showing detail on front and back  
1050 x 70 x 70 (l,w,d)

BF1050F

Flatback design with no detail on the reverse side  
1050 x 70 x 30 (l,w,d)





Woodstock with starburst



Woodstock with starburst



Timbervale with house plaque in centre



Westbury covering door & side window



Flexi porch into corner situation



Flexi roof combined with columns



Flexi roof in brown with angled fascia



Flexi porch extended fascia over garage



Flexi roof



Flexi roof & Colwall combined



Flexi roof & Colwall combined



Flexi roof combined with poly roof





Bow canopy with twin leg base



Alderbury & Smooth columns painted



Flexi roof in corner situation



Colwall & Flexi combined



Tailormade canopy



Tailormade canopy



Flexi roof and poly combined



Flexi porch with open canopy area



Flexi roof combined smooth columns

