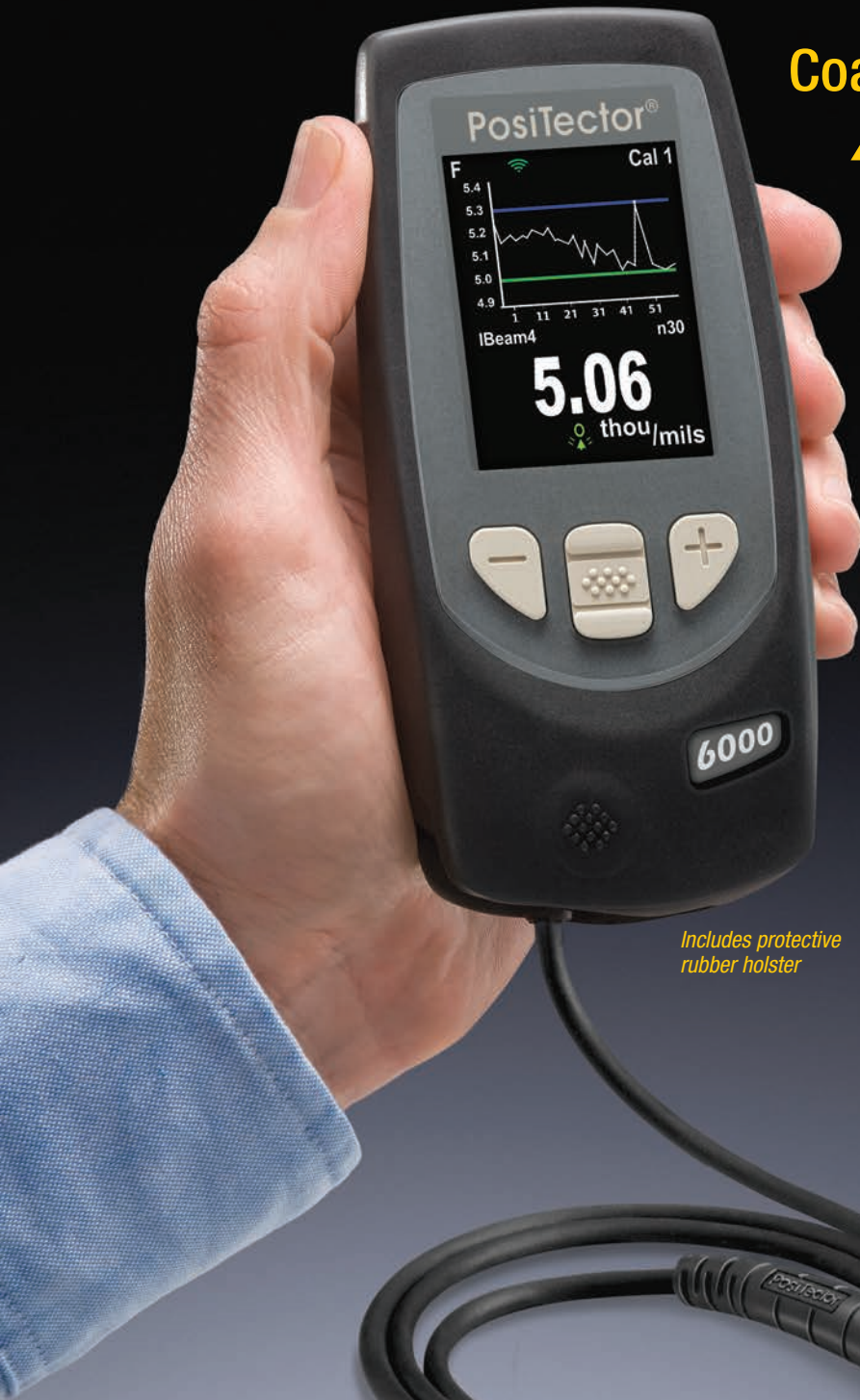


# PosiTector® 6000 Series

Coating Thickness Gages for **ALL** Metal Substrates



*Includes protective rubber holster*



**NEW!**  
Scan Modes

Advanced models now include  
3 Powerful Scan Modes



**DeFelsko**®  
The Measure of Quality



Available on the  
App Store



PosiTector®  
SmartLink  
Compatible



# PosiTector® 6000 Series

## All Gages Feature...

### Simple

- **NEW** Faster measurement speed—60+ readings per minute
- Ready to measure—no adjustment required for most applications
- Enhanced one-handed menu navigation
- Flashing display—ideal in a noisy environment
- RESET feature instantly restores factory settings

### Durable

- Solvent, acid, oil, water and dust resistant—weatherproof
- Wear-resistant probe tip
- Shock-absorbing, protective rubber holster with belt clip
- Two year warranty on gage body AND probe

### Accurate

- Certificate of Calibration showing traceability to NIST or PTB included
- Built-in temperature compensation ensures measurement accuracy
- Hi-RES mode increases displayed resolution for use on applications that require greater precision
- Conforms to national and international standards including ISO and ASTM

### Versatile

- PosiTector body accepts all PosiTector 6000, 200, RTR, SPG, DPM, SST, SHD and UTG probes easily converting from a coating thickness gage to a surface profile gage, dew point meter, soluble salt tester, Shore hardness durometer or ultrasonic wall thickness gage
- Multiple calibration adjustment options including 1 point, 2 point, known thickness, average zero
- Selectable display languages
- High contrast LCD with backlit display
- Flip Display enables right-side-up viewing
- Extended cables available (up to 75 m/250 ft) for remote measuring
- Uses alkaline or rechargeable batteries (built-in charger)

### Powerful

- Continually displays/updates average, standard deviation, min/max thickness and number of readings while measuring
- Screen Capture—save screen images for record keeping and review
- HiLo alarm audibly and visibly alerts when measurements exceed user-specified limits
- **NEW** Enhanced FAST mode—90+ readings per minute for quick inspection
- Sealed USB port for fast, simple connection to a PC and to supply continuous power. USB cable included.
- PosiSoft USB Drive—stored readings and graphs can be accessed using universal PC/Mac web browsers or file explorers. No software required.
- Every stored measurement is date and time stamped
- Includes PosiSoft suite of software for viewing and reporting data (see right panel)

### Probes available for a variety of applications



For measuring paint, powder, etc. on all metals...



...and for measuring galvanizing, plating, anodizing and more.

### Standard Models

**Includes ALL features as shown on left plus...**

- Storage of 250 readings per probe—stored readings can be viewed or downloaded

### Advanced Models

**Includes ALL features as shown on left plus...**

- Storage of 100,000 readings from multiple probes in up to 1,000 batches and sub-batches
- Live graphing of measurement data
- 3 Scan Modes — increase measurement speed to 180+ readings per minute
  - **Normal** – take continuous readings without lifting the probe
  - **NEW Statistics** – take continuous readings and record average, standard deviation, min/max thickness and number of readings while scanning
  - **NEW Limited Count Average** – take continuous readings up to a user-specified count. The gage displays and records the average of the readings.
- Multiple stored calibration adjustments for measuring on a variety of substrate conditions
- SSPC-PA 2 feature determines if film thickness over a large area conforms to user-specified min/max levels
- PSPC 90/10 feature determines if a coating system complies with an IMO performance standard for protective coatings
- WiFi technology wirelessly synchronizes with PosiSoft.net and downloads software updates
- **Bluetooth® 4.0 Technology** for data transfer to a mobile device running the PosiTector App or optional portable printer. **BLE API** available for integration into third-party software.
- Onscreen Batch Annotation—add notes, change batch names and more with built-in QWERTY keyboard

### PosiTector SmartLink™

- Wirelessly connect PosiTector 6000 probes to your smart device

**Select from a variety of measurement ranges and probe styles**

(see back page ordering guide)



Cabled Probe Style



Integral Probe Style



Thick

90°

0°

45°

Regular

## Rugged Features...

Sealed USB Port  
for communicating  
with a PC or Mac

Water and dust  
resistant

**WEATHERPROOF**

High contrast color  
LCD with backlit display

Scratch/solvent/impact  
resistant lens

Multi-function  
navigation button

Solvent, acid, oil  
resistant, high grade,  
industrial strength  
housing

**Advanced  
Model shown  
in Memory Mode**

Quality high-flex  
cable and strain relief

Stainless steel probe  
with knurled finger grip

Strong wear-resistant  
ruby-tipped probe

All Regular Cabled Probes  
are suitable for underwater use



## PosiSoft® ...FREE SOLUTIONS for viewing, analyzing and reporting data:



### PosiSoft Desktop

Powerful desktop software for downloading, viewing, printing and storing measurement data. Includes customizable, templated PDF Report Generator. No internet connection required.

### PosiSoft.net

A web-based application offering secure centralized management of readings. Includes customizable, templated PDF Report Generator. Access your data from any web-connected device.



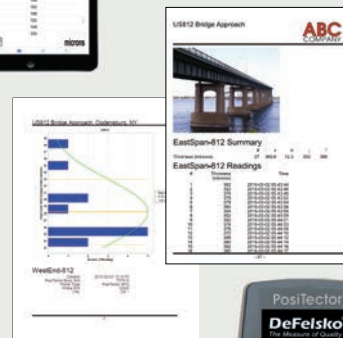
### PosiTector App

Mobile app connects PosiTector Advanced instruments, the PosiTector SmartLink and the PosiTest AT-A to your iOS or Android smart device.



### PosiSoft USB Drive

A simple gage interface to retrieve data in a manner similar to USB flash drives, cameras, or digital audio players. No software to install or internet connection required.



### Award Winning Compatibility!

- Coating Thickness
- Surface Profile
- Environmental Conditions
- Shore Hardness
- Salt Contamination
- Ultrasonic Wall Thickness



**FNDS Probe** measures individual layer thicknesses of zinc and paint in a duplex coating system



**FHXS Probe** with Alumina wear face and braided cable for hot or rough surfaces



**Flip Display** enables right-side-up viewing

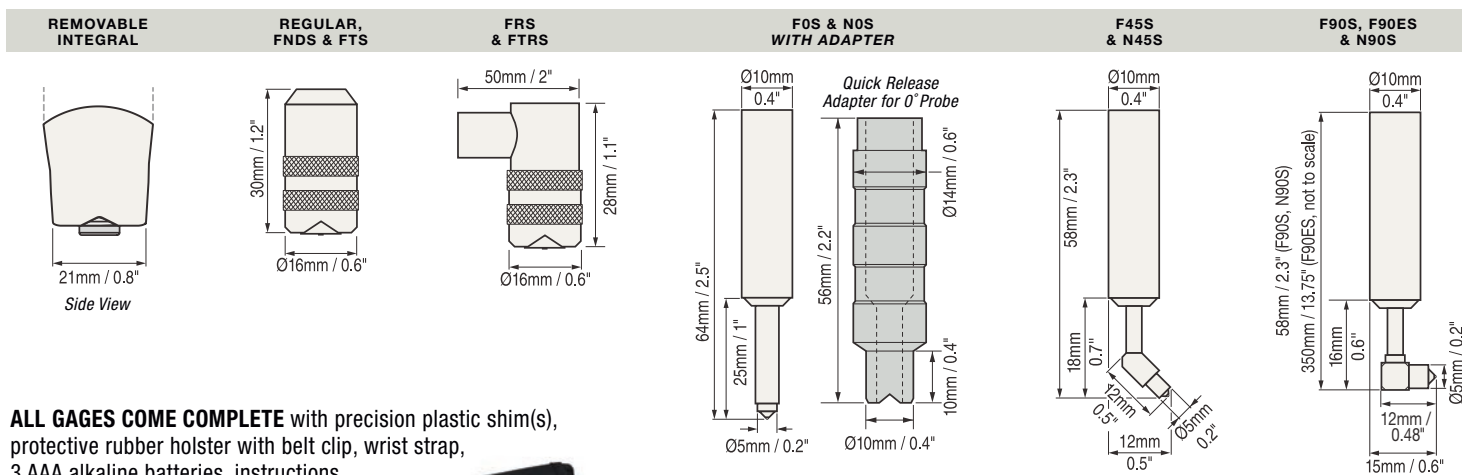


**Microprobe** series for small parts and hard-to-reach areas

PosiTector® 6000 Series  ORDERING GUIDE		Our most popular Integral and Cabled probe models				90° Regular probe for tight spots	Ideal for duplex coating systems	Ideal for anodized aluminum	Microprobes – Our smallest probes for small parts or hard-to-reach areas				Integral and Cabled probes for thick protective coatings; epoxy, rubber, intumescent fireproofing and more					
FERROUS PROBES	Standard	F1	FS1	FXS1*	FRS1			FOS1	F45S1	F90S1	F90ES1	FT1	FTS1	FTRS1	FHXS1**	FKS1	FLS1	
	Advanced	F3	FS3	FXS3*	FRS3			FOS3	F45S3	F90S3	F90ES3	FT3	FTS3	FTRS3	FHXS3**	FKS3	FLS3	
NON-FERROUS PROBES	Standard	N1	NS1		NRS1		NAS1	NOS1	N45S1	N90S1						NKS1		
	Advanced	N3	NS3		NRS3		NAS3	NOS3	N45S3	N90S3						NKS3		
COMBINATION PROBES	Standard	FN1	FNS1		FNRS1	FNDS1 ^						FNTS1					FNGS1†	
	Advanced	FN3	FNS3		FNRS3	FNDS3 ^						FNTS3					FNGS3†	
Range		0–60 mils 0–1500 µm				Ferrous: 0–45 mils and 0–1150 µm Non-Ferrous: 0–25 mils and 0–625 µm				0–250 mils 0–6 mm		0–400 mils 0–10,000 µm		0–500 mils 0–13 mm		0–1.5 in. 0–38 mm		0–2.5 in. 0–63.5 mm
Accuracy†		±(0.05 mil + 1%) 0-2 mils ±(0.1 mil + 1%) >2 mils  ±(1 µm + 1%) 0-50 µm ±(2 µm + 1%) >50 µm				±(0.02 mil + 1%) 0-4 mils ±(0.1 mil + 3%) >4 mils  ±(0.5 µm + 1%) 0-100 µm ±(2 µm + 3%) >100 µm				±(0.5 mil + 1%) 0-100 mils ±(0.5 mil + 3%) >100 mils  ±(0.01 mm + 1%) 0-2.5 mm ±(0.01 mm + 3%) >2.5 mm		±(0.1 mil + 3%)  ±(2 µm + 3%)		±(1 mil + 3%)  ±(0.02 mm + 3%)		±(0.01 in. + 3%)  ±(0.2 mm + 3%)		
Matching DeFelsko Calibration Standards		STDS1 STDA1				STDS2 STDA2				STDP1		STDP7		STDP5		STDP8	STDP8 (included)	

**Ferrous probes** measure non-magnetic coatings on ferrous metals. **Non-Ferrous probes** measure non-conductive coatings on non-ferrous metals. **\*FXS Xtreme probe** with Alumina wear face. Ideal for rough surfaces. **\*\*FHXS Xtreme probe** with Alumina wear face and braided cable measures non-conductive coatings on steel. Ideal for rough or hot surfaces up to 250° C (500° F). **^FNDS probes** for full accuracy information see website. **†FNGS probe** measures non-conductive coatings on all metals. † Accuracies are stated as a fixed value plus a percentage of the gage's actual reading.

## Probe Details (All probe details can be found online at [www.defelsko.com/p6000/probes](http://www.defelsko.com/p6000/probes))



**ALL GAGES COME COMPLETE** with precision plastic shim(s), protective rubber holster with belt clip, wrist strap, 3 AAA alkaline batteries, instructions, protective lens shield, convenient carrying case, Long Form Certificate of Calibration traceable to NIST or PTB, USB cable, PosiSoft Software, two (2) year warranty.

**SIZE:** 137 x 61 x 28 mm  
(5.4" x 2.4" x 1.1")

**WEIGHT:** 140 g (4.9 oz.)  
without batteries

Conforms to ISO 2178/2360/2808, ISO 19840, ASTM B244/B499/D1186/ D1400/D7091/E376/G12, BS3900-C5, SSPC-PA2 and others



## Options

**Coating Thickness Standards** to fulfill both ISO and in-house quality control requirements

**Probe Foot Rings**  
Durable Delrin ring allows the probe to slide easily while scanning

**Telescopic Probe Extender** for use with the PosiTector 6000 FS, NS, FNS, FXS, FNDS, NAS and FTS probes.  

- Provides up to 124 cm (49") of reach and collapses to 47 cm (18.5") for easy storage

**For a complete list of product features and available options visit [www.defelsko.com](http://www.defelsko.com)**

