



DIRECTIONALS



Stick-A-LED™ Self-Adhesive LED

Stick-A-LED™ warning lights are compact, high intensity auxiliary LEDs designed to provide a powerful warning signal with fast and easy installation. The Stick-A-LED requires only a single (wiring) hole and a simple two-wire connection to install; no fasteners are needed. The self-adhesive, peel-and-stick backing allows placement on any flat surface. Available in three shapes: Oval (3 LEDs) and Rectangle (6 LEDs). Each model features a tough polycarbonate base and lens with integrated optics that provide enhanced light dispersion.

Models

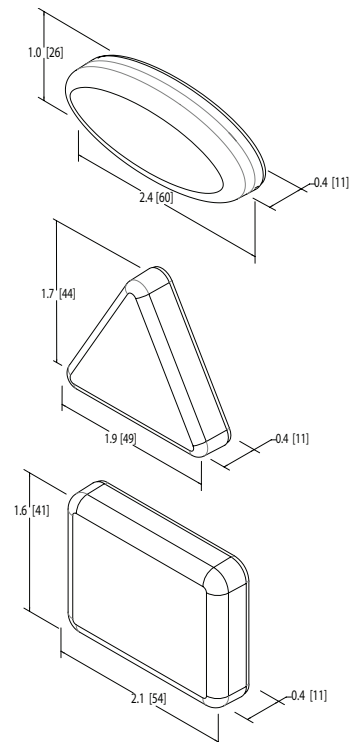
PART NO.	VOLTAGE	AMPS	SHAPE	MOUNT
ED0002X	12-24	0.6	Oval	Self-Adhesive
ED0003X	12-24	0.6	Triangle	Self-Adhesive
E00004X	12-24	0.75	Rectangle	Self-Adhesive

Replace X in part number with desired color: A=amber, B=blue, C=clear, R=red

Features and Benefits

- Three or six 1-watt LEDs
- Features quad flash pattern
- Self-adhesive peel-and-stick backing
- No fasteners needed; only a single wiring hole and simple two-wire connection
- Tough polycarbonate base and lens
- Colourless when not illuminated
- Temperature Range: -30°C to +50°C

Dimensions



Self-Adhesive Backing

