



# BEACONS



## EB7181 Series

### R65 Class I LED Beacons

The EB7181 LED provides the ultimate level of power, versatility and style available in an LED beacon. The latest high-intensity LEDs combine with reflector technology to produce a powerful, R65 Class I warning signal in a square housing that also offers premium features, including multiple flash patterns and synchronisation capability. Featuring 12-24 VDC operation and eight flash patterns, the EB7181 Series is suitable for a wide range of applications where a high-intensity R65 Class I light is required.

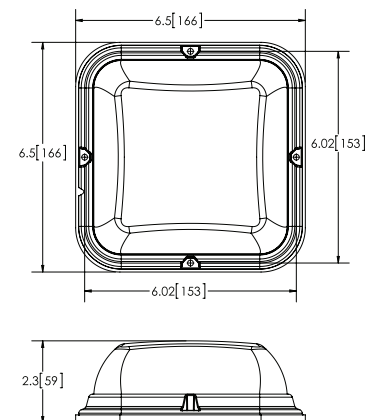
#### Models

PART NO.	VOLTAGE	AMPS	LENS/ILLUMINATION	MOUNT
EB7181A	12-24	6.2	Amber	4 Bolt
EB7181B	12-24	6.2	Blue	4 Bolt
EB7181CA	12-24	6.2	Clear/Amber	4 Bolt
EB7181CB	12-24	6.2	Clear/Blue	4 Bolt

#### Features and Benefits

- Compact, low profile beacon
- 8 flash patterns including simulated rotate
- Multiple units can be synchronised
- Temperature Range: -30°C to +50°C

#### Dimensions



#### Flash Patterns (8)

- Single, 125 FPM
- Double, 125 FPM
- Quad, 125 FPM
- Rotate, 125 FPM
- Single, 75 FPM
- Double, 75 FPM
- Quad, 75 FPM
- Rotate, 75 FPM