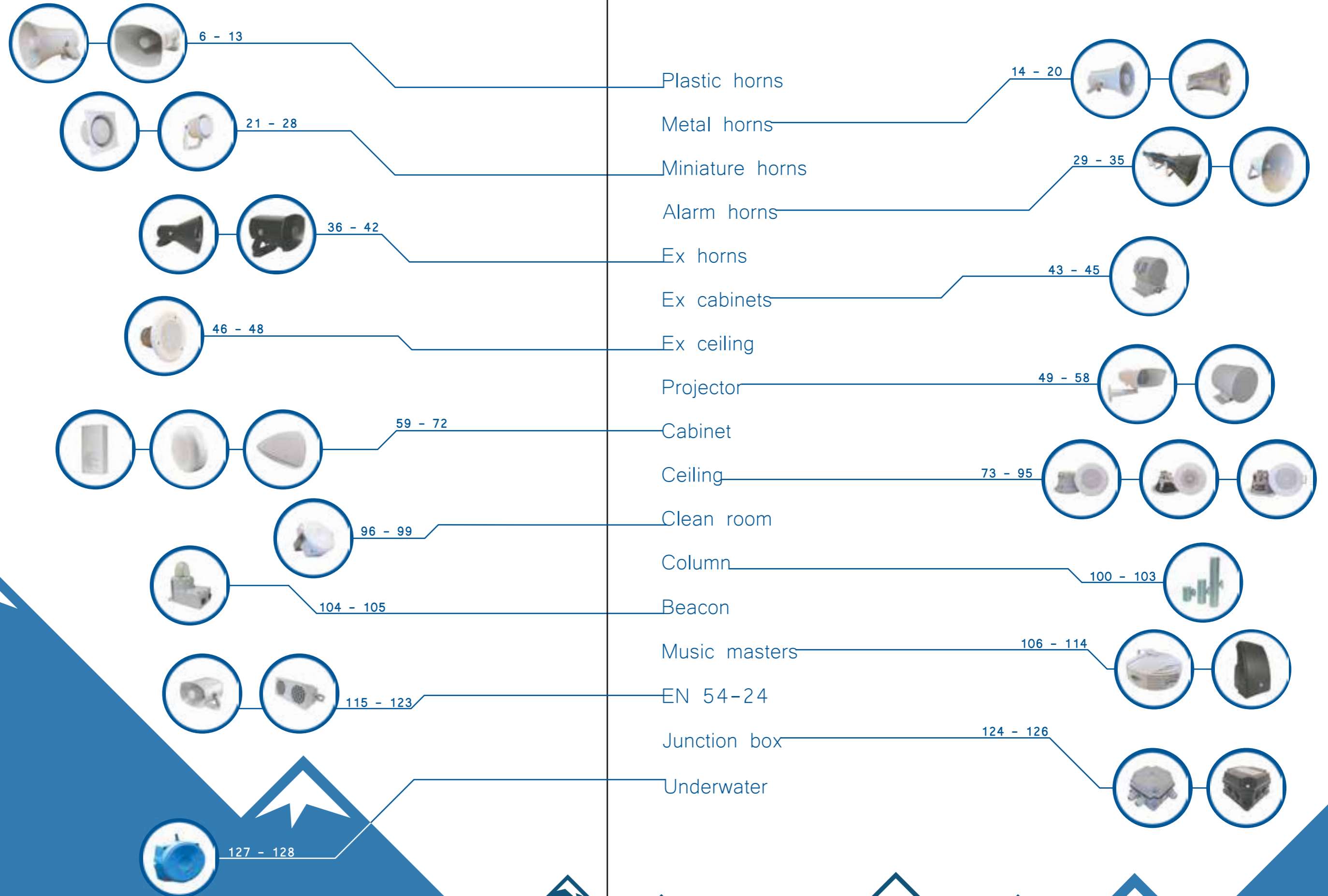




LOUDSPEAKERS
PRODUCT CATALOGUE





DNH Main Office
dnh@dnh.no
+47 35 98 56 00



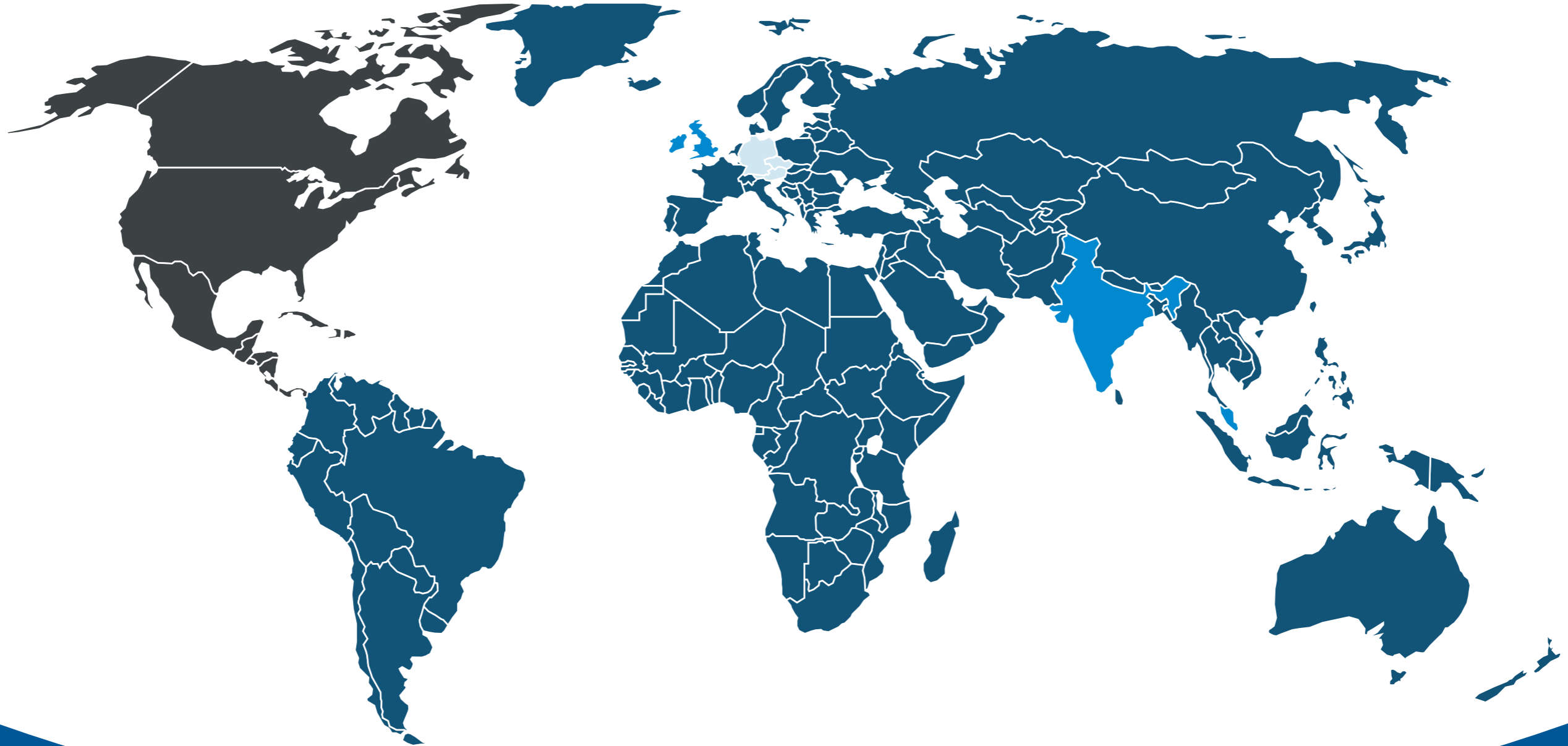
DNH United States Office
dnh@dnhspeakers.com
+1 484-494-5790



DNH GmbH Office
dnh@dnh.de
+49 (0)40 65 69 30-0



DNH World Wide Office
dnh@dnh.co.uk
+44 1908 275 000



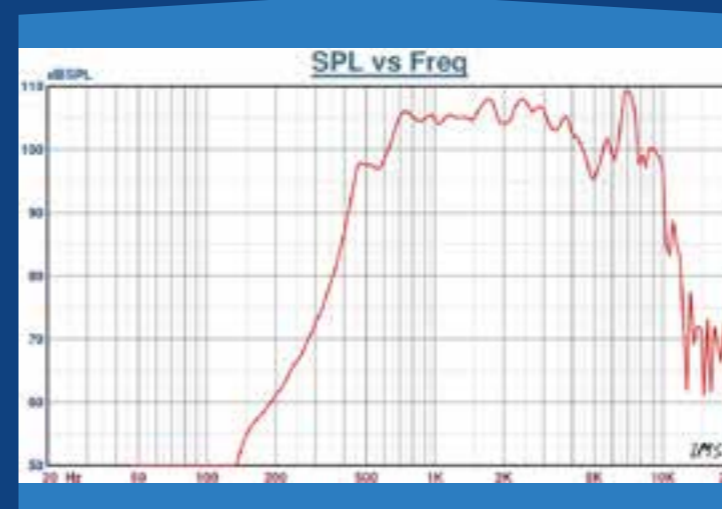


PLASTIC HORNS



The DNH plastic horn series range from the small and light HP-10 to the bigger and totally weatherproof HP-30 manufactured for extreme weather. Being durable and having great sound, they are a very safe choice. Suitable for outdoor installations.

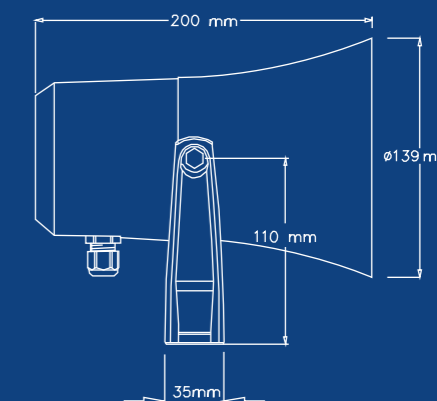
HP-10 (T)



Material/Colour: RonfalinC 110 (PC+ABS) /RAL 7035
Mounting: Bracket
Termination: Screw Terminal
Weight: 1,1 kg
IP Rating: 66/67
Max/Min Amb. Temperature: 90°C/-50°C
Rated/Max Power: 10W/15W
SPL 1W/1M: 107 dB
SPL Rated Power: 117 dB
Effective Freq. Range: 370 - 12000 Hz
Dispersion (-6dB) 1kHz/4kHz: 189°/52°

Applications:

- * Public Address & Schools
- * Railway & Metro
- * Industries
- * Airports
- * Sport Stadiums
- * Shopping Centres & Retail Stores
- * Helidecks & Ports
- * Carparks & Tunnels



Certificates:



Options:

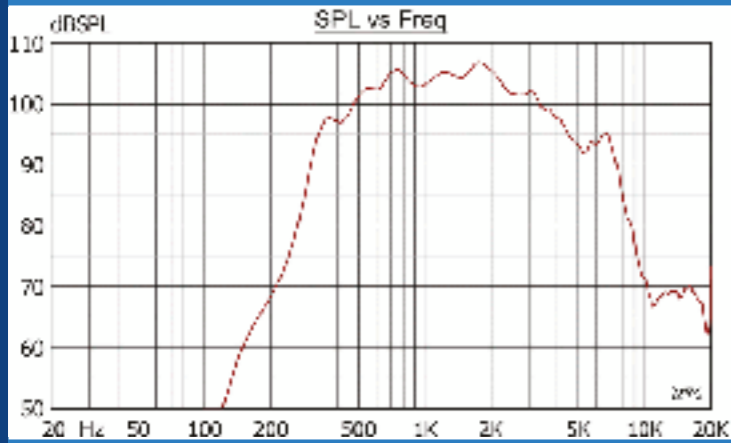
- * Colour
- * Impedance
- * Custom made transformer
- * Fuse
- * Capacitor
- * Cable/Cable gland
- * Terminal
- * Customized label
- * Bracket solutions

Watt:

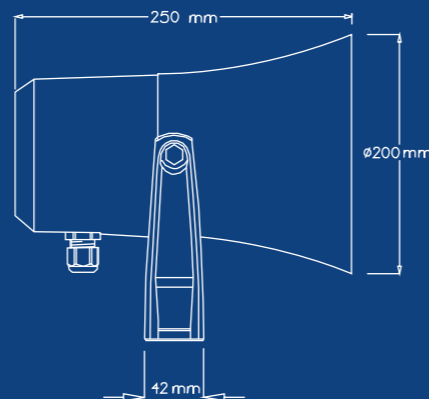
- * 10W



HP-15 (T)



Material/Colour: ASA/RAL 7035
 Mounting: Bracket
 Termination: Screw Terminal
 Weight: 1,4 kg
 IP Rating: 66/67
 Max/Min Amb. Temperature: 90°C/-50°C
 Rated/Max Power: 15W/20W
 SPL 1W/1M: 108 dB
 SPL Rated Power: 118 dB
 Effective Freq. Range: 330 - 8000 Hz
 Dispersion (-6dB) 1kHz/4kHz: 113°/33°



Applications:

- * Public Address & Schools
- * Railway & Metro
- * Industries
- * Airports
- * Sport Stadiums
- * Shopping Centres & Retail Stores
- * Helidecks & Ports
- * Carparks & Tunnels

Certificates:



Options:

- * Colour
- * Impedance
- * Custom made transformer
- * Fuse
- * Capacitor
- * Cable/Cable gland
- * Terminal
- * Customized label
- * Bracket solutions

Watt:

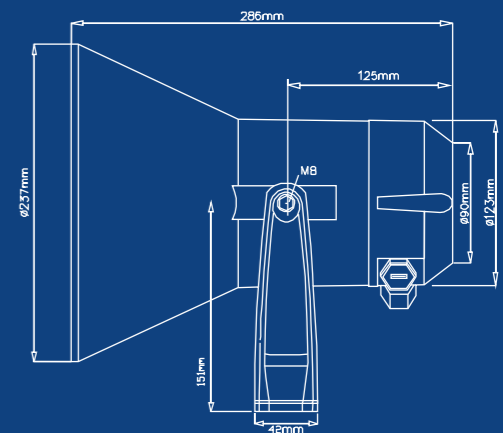
- * 15W



HP-20 (T)



Material/Colour: Polyamide/RAL 7035
 Mounting: Bracket
 Termination: Screw Terminal
 Weight: 2,1 kg
 IP Rating: 67
 Max/Min Amb. Temperature: 150°C/-50°C
 Rated/Max Power: 20W/25W
 SPL 1W/1M: 110 dB
 SPL Rated Power: 122 dB
 Effective Freq. Range: 310 - 8000 Hz
 Dispersion (-6dB) 1kHz/4kHz: 115°/30°



Applications:

- * Public Address & Schools
- * Railway & Metro
- * Industries
- * Airports
- * Sport Stadiums
- * Shopping Centres & Retail Stores
- * Helidecks & Ports
- * Carparks & Tunnels

Certificates:



Options:

- * Colour
- * Impedance
- * Custom made transformer
- * Fuse
- * Capacitor
- * Cable/Cable gland
- * Terminal
- * Customized label
- * Bracket solutions

Watt:

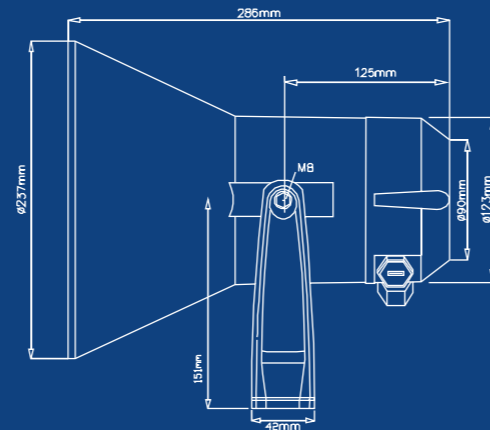
- * 20W



HP-30 (T)



Material/Colour: Polyamide/RAL 7035
 Mounting: Bracket
 Termination: Screw Terminal
 Weight: 2,2 kg
 IP Rating: 67
 Max/Min Amb. Temperature: 150°C/-50°C
 Rated/Max Power: 30W/40W
 SPL 1W/1M: 110 dB
 SPL Rated Power: 124 dB
 Effective Freq. Range: 310 - 8000 Hz
 Dispersion (-6dB) 1kHz/4kHz: 115°/30°



Applications:

- * Public Address & Schools
- * Railway & Metro
- * Industries
- * Airports
- * Sport Stadiums
- * Shopping Centres & Retail Stores
- * Helidecks & Ports
- * Carparks & Tunnels

Certificates:



Options:

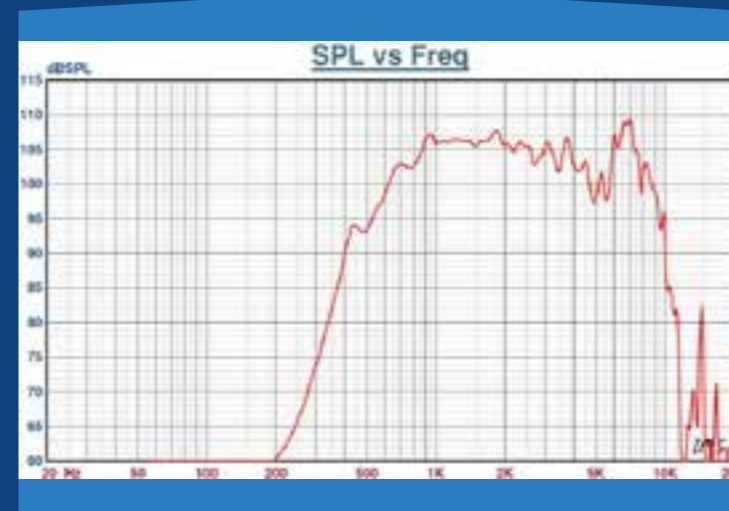
- * Colour
- * Impedance
- * Custom made transformer
- * Fuse
- * Capacitor
- * Cable/Cable gland
- * Terminal
- * Customized label
- * Bracket solutions

Watt:

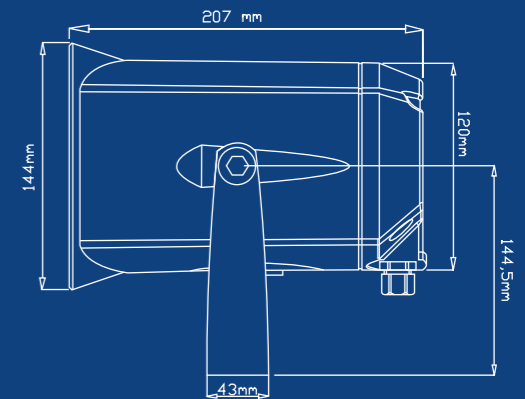
- * 30W



DSP-15 (T)



Material/Colour: ASA/RAL 7035
 Mounting: Bracket
 Termination: Screw Terminal
 Weight: 1,8 kg
 IP Rating: 67
 Max/Min Amb. Temperature: 90°C/-50°C
 Rated/Max Power: 15W/20W
 SPL 1W/1M: 106 dB
 SPL Rated Power: 117 dB
 Effective Freq. Range: 350 - 11000 Hz
 Dispersion (-6dB) 1kHz/4kHz: 140°/40°



Applications:

- * Public Address & Schools
- * Railway & Metro
- * Industries
- * Airports
- * Sport Stadiums
- * Shopping Centres & Retail Stores
- * Helidecks & Ports
- * Carparks & Tunnels

Certificates:



Options:

- * Colour
- * Impedance
- * Custom made transformer
- * Fuse
- * Capacitor
- * Cable/Cable gland
- * Terminal
- * Customized label
- * Bracket solutions

Watt:

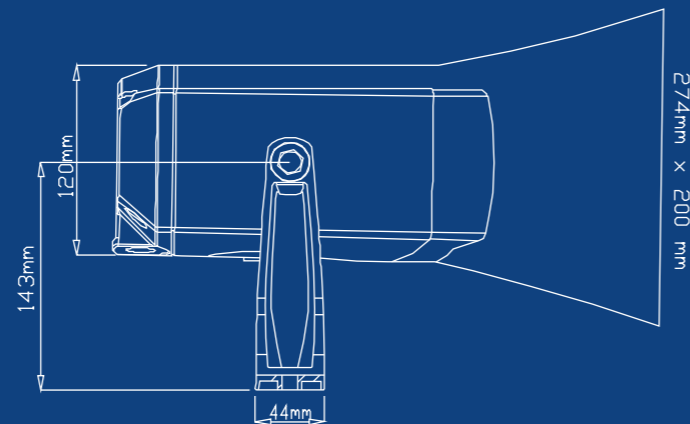
- * 15W



DSP-15 L



Material/Colour: ASA/RAL 7035
Mounting: Bracket
Termination: Screw Terminal
Weight: 1,9 kg
IP Rating: 67
Max/Min Amb. Temperature: 90°C/-50°C
Rated/Max Power: 25W/25W
SPL 1W/1M: 112 dB
SPL Rated Power: 124 dB
Effective Freq. Range: 290 - 11000 Hz
Dispersion (-6dB) 1kHz/4kHz: 81°/37°



Applications:

- * Public Address & Schools
- * Railway & Metro
- * Industries
- * Airports
- * Sport Stadiums
- * Shopping Centres & Retail Stores
- * Helidecks & Ports
- * Carparks & Tunnels

Certificates:



Options:

- * Colour
- * Impedance
- * Custom made transformer
- * Fuse
- * Capacitor
- * Cable/Cable gland
- * Terminal
- * Customized label
- * Bracket solutions

Watt:

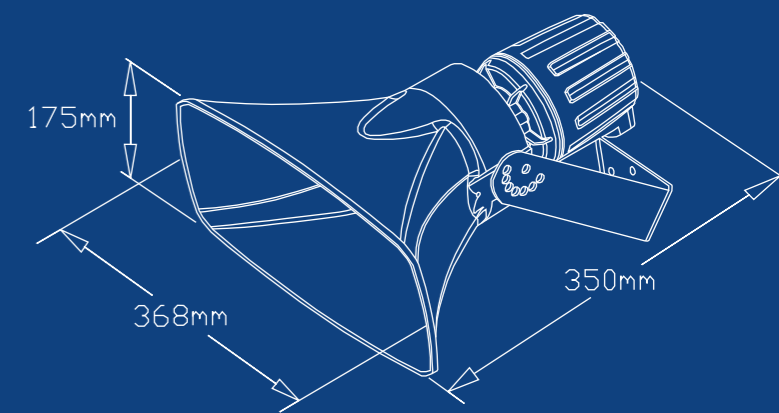
- * 25W



DHP/DUP-40



Material/Colour: Anti-static PA/PAGF/Black
Mounting: Threaded UNEF - 18, Bracket
Termination: Inside Ceramic Terminal
Weight: 2,7 kg
IP Rating: 67 (With DUP-40)
Max/Min Amb. Temperature: 120°C/-50°C
Rated/Max Power: 40W/60W
SPL 1W/1M: 110 dB
SPL Rated Power: 126 dB
Effective Freq. Range: 300 - 7000 Hz
Dispersion (-6dB) 1kHz/4kHz: 62°/40°



Applications:

- * Public Address & Schools
- * Railway & Metro
- * Industries
- * Airports
- * Sport Stadiums
- * Shopping Centres & Retail Stores
- * Helidecks & Ports
- * Carparks & Tunnels

Options:

- * Colour
- * Impedance
- * Custom made transformer
- * Fuse
- * Capacitor
- * Cable/Cable gland
- * Terminal
- * Customized label
- * Bracket solutions

Watt:

- * 40W

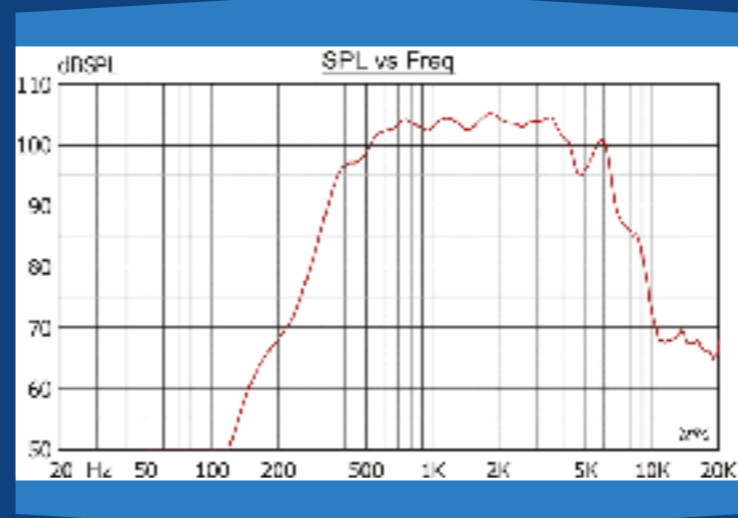


METAL HORNS



These aluminum horn loudspeakers are renowned for both high reliability and superb efficiency. That makes them suitable for all industrial environments and public areas.

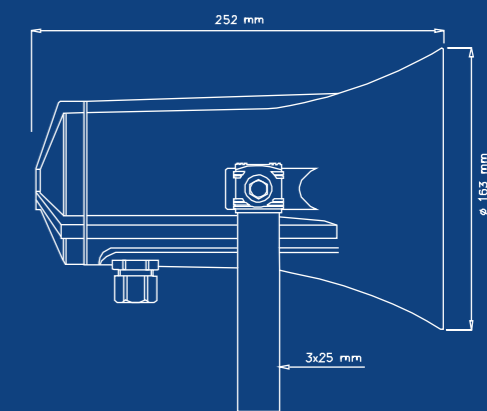
HS-15 (T)



Material/Colour: PA V0/Aluminum/RAL 7035
Mounting: Bracket
Termination: Inside Screw Terminals
Weight: 2,7 kg
IP Rating: 67
Max/Min Amb. Temperature: 150°C/-50°C
Rated/Max Power: 15W/20W
SPL 1W/1M: 107 dB
SPL Rated Power: 118 dB
Effective Freq. Range: 350 - 7500 Hz
Dispersion (-6dB) 1kHz/4kHz: 150°/40°

Applications:

- * Industry & Power Plants
- * Military
- * Marine
- * Dockyards
- * Prisons
- * Railway
- * Trams
- * Fire Testing House



Certificates:



Options:

- * Colour
- * Impedance
- * Custom made transformer
- * Fuse
- * Capacitor
- * Cable/Cable gland
- * Terminal
- * Customized label
- * Bracket solutions

Watt:

- * 15W



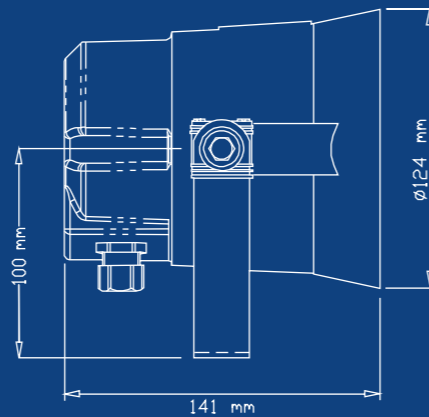
HS-8 (T)



Material/Colour: Aluminium Alloy/RAL 7035
Mounting: Bracket
Termination: Screw Terminal
Weight: 1,8 kg
IP Rating: 67
Max/Min Amb. Temperature: 150°C/-50°C
Rated/Max Power: 8W/10W
SPL 1W/1M: 103 dB
SPL Rated Power: 111 dB
Effective Freq. Range: 500 - 7000 Hz
Dispersion (-6dB) 1kHz/4kHz: 160°/45°

Applications:

- * Industry & Power Plants
- * Military
- * Marine
- * Dockyards
- * Prisons
- * Railway
- * Trams
- * Fire Testing House



Certificates:



Options:

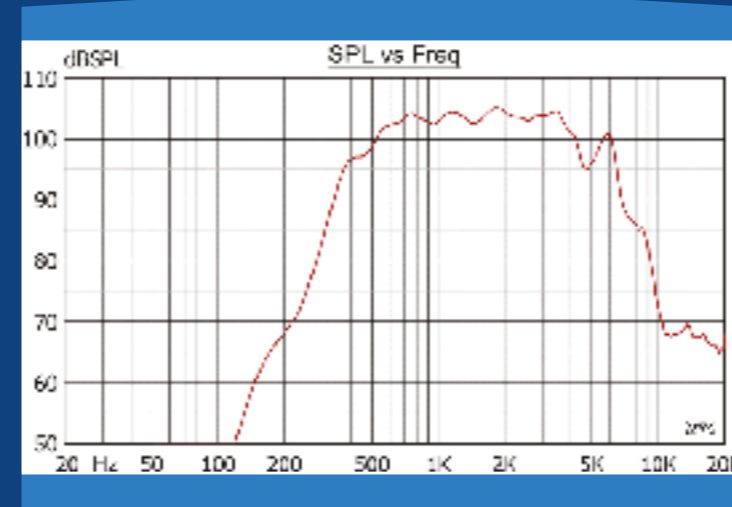
- * Colour
- * Impedance
- * Custom made transformer
- * Fuse
- * Capacitor
- * Cable/Cable gland
- * Terminal
- * Customized label
- * Bracket solutions

Watt:

- * 8W



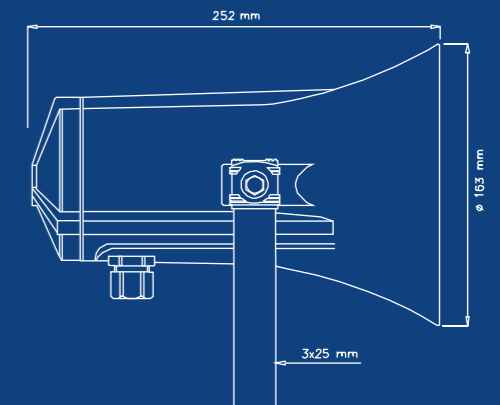
HS-15S (T)



Material/Colour: Aluminum Alloy/RAL 7035
Mounting: Bracket
Termination: Inside Screw Terminal
Weight: 2,7 kg
IP Rating: 55
Max/Min Amb. Temperature: 150°C/-50°C
Rated/Max Power: 15W/20W
SPL 1W/1M: 107 dB
SPL Rated Power: 118 dB
Effective Freq. Range: 350 - 7500 Hz
Dispersion (-6dB) 1kHz/4kHz: 150°/40°

Applications:

- * Industry & Power Plants
- * Military
- * Marine
- * Dockyards
- * Prisons
- * Railway
- * Trams
- * Fire Testing House



Certificates:



Options:

- * Colour
- * Impedance
- * Custom made transformer
- * Fuse
- * Capacitor
- * Cable/Cable gland
- * Terminal
- * Customized label
- * Bracket solutions

Watt:

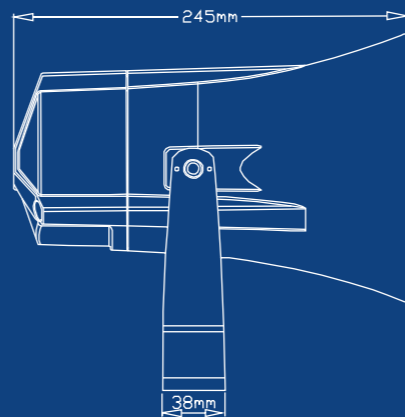
- * 15W



HSS-15 (T)



Material/Colour: Stainless Steel 316
 Mounting: U Bracket
 Termination: Inside Screw Terminal
 Weight: 6,5 kg
 IP Rating: 67
 Max/Min Amb. Temperature: 180°C/-55°C
 Rated/Max Power: 15W/20W
 SPL 1W/1M: 107 dB
 SPL Rated Power: 118 dB
 Effective Freq. Range: 380 - 9000 Hz
 Dispersion (-6dB) 1kHz/4kHz: 150°/40°



Applications:

- * Industry & Power Plants
- * Military
- * Marine
- * Dockyards
- * Prisons
- * Railway
- * Trams
- * Fire Testing House

Certificates:



Options:

- * Colour
- * Impedance
- * Custom made transformer
- * Fuse
- * Capacitor
- * Cable/Cable gland
- * Terminal
- * Customized label
- * Bracket solutions

Watt:

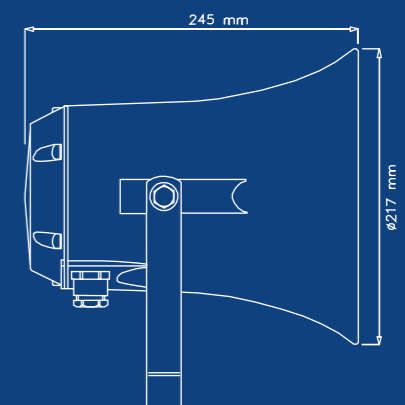
- * 15W



H-66 (T)



Material/Colour: Aluminum Alloy/RAL 7035
 Mounting: Bracket
 Termination: Internal Screw Terminals
 Weight: 3,8 kg
 IP Rating: 67
 Max/Min Amb. Temperature: 150°C/-50°C
 Rated/Max Power: 25W/30W
 SPL 1W/1M: 108 dB
 SPL Rated Power: 121 dB
 Effective Freq. Range: 300 - 9000 Hz
 Dispersion (-6dB) 1kHz/4kHz: 125°/35°



Applications:

- * Industry & Power Plants
- * Military
- * Marine
- * Dockyards
- * Prisons
- * Railway
- * Trams
- * Fire Testing House

Certificates:



Options:

- * Colour
- * Impedance
- * Custom made transformer
- * Fuse
- * Capacitor
- * Cable/Cable gland
- * Terminal
- * Customized label
- * Bracket solutions

Watt:

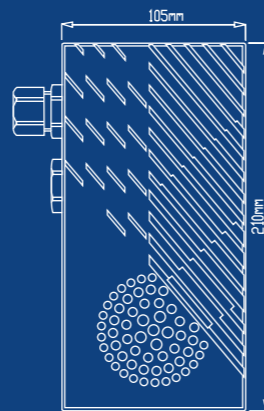
- * 25W



SAFE-15 (T)



Material/Colour: Aluminum/White/Red
Mounting: 4 Screws
Termination: Ceramic Terminal
Weight: 1,7 kg
IP Rating: 67
Max/Min Amb. Temperature: 200°C/-50°C
Rated/Max Power: 15W/30W
SPL 1W/1M: 101 dB
SPL Rated Power: 113 dB
Effective Freq. Range: 500 - 6000 Hz
Dispersion (-6dB) 1kHz/4kHz: 175°/110°



Applications:

- * Industry & Power Plants
- * Military
- * Marine
- * Dockyards
- * Prisons
- * Railway
- * Trams
- * Fire Testing House

Certificates:



Options:

- * Colour
- * Impedance
- * Custom made transformer
- * Fuse
- * Capacitor
- * Cable/Cable gland
- * Terminal
- * Customized label
- * Bracket solutions

Watt:

- * 15W

MINIATURE HORNS



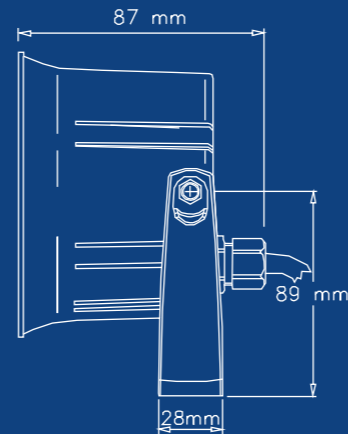
DNH's miniature horn loudspeakers are all IP-67 weather proof rated. They are light, small and robust, but still give an excellent sound pressure level. Suitable for both indoor and outdoor installations.



HP-6



Material/Colour: Polyamid UL94 V0/RAL 7035
Mounting: Plastic bracket
Termination: Cable, 0,5
Weight: 0,35 kg
IP Rating: 67
Max/Min Amb. Temperature: 110°C/-40°C
Rated/Max Power: 6W/10W
SPL 1W/1M: 100 dB
SPL Rated Power: 107 dB
Effective Freq. Range: 300 - 20000 Hz
Dispersion (-6dB) 1kHz/4kHz: 178°/62°



Applications:

- * Public Transportation
- * Marine
- * Intercom Stations
- * Talkback
- * Digital Information Systems
- * Bell & Gong Sounds

Certificates:



Options:

- * Colour
- * Impedance
- * Cable
- * Capacitor

Watt:

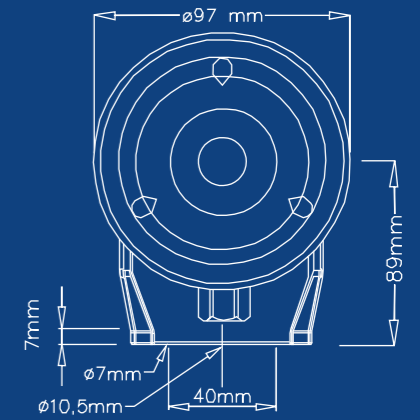
- * 6W



HP-6C (T)



Material/Colour: Polyamide UL94 V0/RAL 7035
Mounting: Bracket
Termination: Inside Screw Terminal
Weight: 0,6 kg
IP Rating: 67
Max/Min Amb. Temperature: 110°C/-40°C
Rated/Max Power: 6W/10W
SPL 1W/1M: 100 dB
SPL Rated Power: 107 dB
Effective Freq. Range: 300 - 20000 Hz
Dispersion (-6dB) 1kHz/4kHz: 178°/62°



Applications:

- * Public Transportation
- * Marine
- * Intercom Stations
- * Talkback
- * Digital Information Systems
- * Bell & Gong Sounds

Certificates:



Options:

- * Colour
- * Transformer
- * Pre tapped options
- * Cable
- * Cable glands
- * Fuse
- * Special bracket
- * Special size on backlid

Watt:

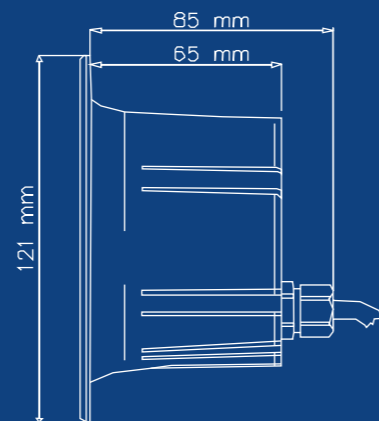
- * 6W



HPS-6



Material/Colour: Polyamide UL94 V0/RAL 7035
 Mounting: Insertion
 Termination: Cable 0,5m
 Weight: 0,35 kg
 IP Rating: 67
 Max/Min Amb. Temperature: 110°C/-40°C
 Rated/Max Power: 6W/10W
 SPL 1W/1M: 100 dB
 SPL Rated Power: 107 dB
 Effective Freq. Range: 300 - 20000 Hz
 Dispersion (-6dB) 1kHz/4kHz: 170°/70°



Applications:

- * Public Transportation
- * Marine
- * Intercom Stations
- * Talkback
- * Digital Information Systems
- * Bell & Gong Sounds
- * Sauna & Wet Rooms

Certificates:



Options:

- * Colour
- * Impedance
- * Cable
- * Fuse

Watt:

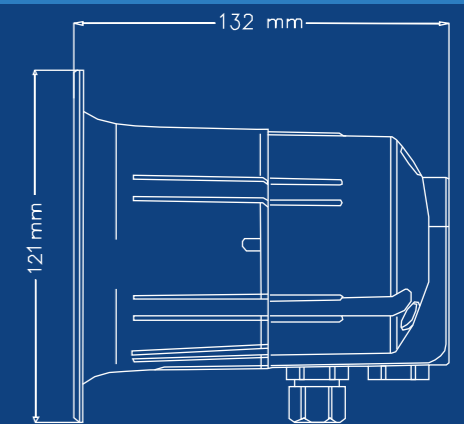
- * 6W



HPS-6C (T)



Mat./Colour: Polyamide V0 Halogen free/RAL 7035
 Mounting: Insertion
 Termination: Inside Screw Terminal
 Weight: 0,6 kg
 IP Rating: 67
 Max/Min Amb. Temperature: 110°C/-40°C
 Rated/Max Power: 6W/10W
 SPL 1W/1M: 100 dB
 SPL Rated Power: 107 dB
 Effective Freq. Range: 300 - 20000 Hz
 Dispersion (-6dB) 1kHz/4kHz: 170°/70°



Applications:

- * Public Transportation
- * Marine
- * Intercom Stations
- * Talkback
- * Digital Information Systems
- * Bell & Gong Sounds

Certificates:



Options:

- * Colour
- * Transformer
- * Cable
- * Cable glands
- * Fuse

Watt:

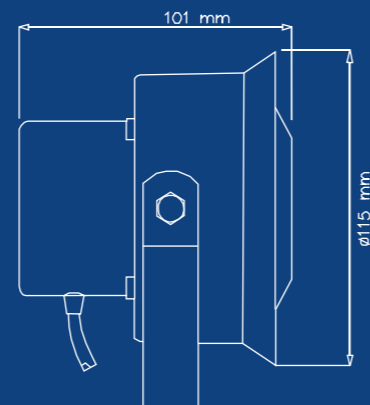
- * 6W



H-44 (T)



Material/Colour: PA6 and Aluminum/RAL 7035
 Mounting: Bracket
 Termination: Cable 0,5m
 Weight: 0,59 kg
 IP Rating: 67
 Max/Min Amb. Temperature: 110°C/-40°C
 Rated/Max Power: 6W/10W
 SPL 1W/1M: 101 dB
 SPL Rated Power: 107 dB
 Effective Freq. Range: 300 - 20000 Hz
 Dispersion (-6dB) 1kHz/4kHz: 171°/40°



Applications:

- * Public Transportation
- * Marine
- * Intercom Stations
- * Talkback
- * Digital Information Systems
- * Bell & Gong Sounds

Options:

- * Colour
- * Impedance
- * Transformer
- * Cable
- * Customized cable

Watt:

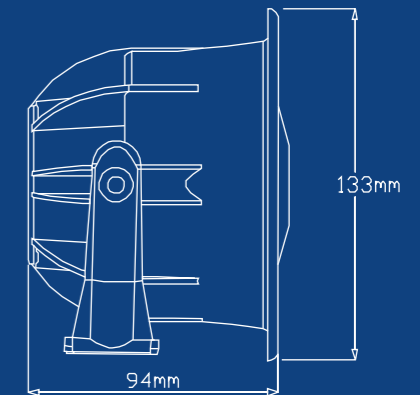
- * 6W



HP-8 (T)



Material/Colour: Polyamide/RAL 7035
 Mounting: Bracket or Insertion
 Termination: Cable 0,5m
 Weight: 0,61 kg
 IP Rating: 67
 Max/Min Amb. Temperature: 110°C/-40°C
 Rated/Max Power: 8W/10W
 SPL 1W/1M: 101 dB
 SPL Rated Power: 110 dB
 Effective Freq. Range: 300 - 20000 Hz
 Dispersion (-6dB) 1kHz/4kHz: 171°/40°



Applications:

- * Public Transportation
- * Marine
- * Intercom Stations
- * Talkback
- * Digital Information Systems
- * Bell & Gong Sounds
- * Industry

Certificates:



Options:

- * Colour
- * Transformer
- * Cable
- * Fuse

Watt:

- * 8W



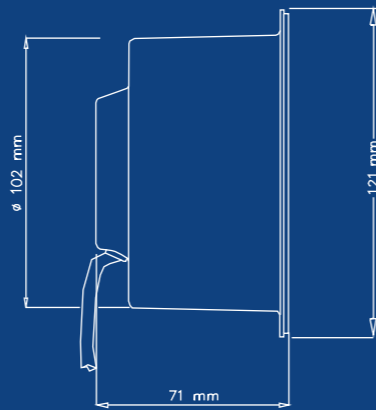
A-45



Material/Colour: PA 6 and Aluminum/RAL 9010
Mounting: 4 Springs
Termination: Cable 0,5
Weight: 0,4 kg
IP Rating: 67
Max/Min Amb. Temperature: 110°C/-40°C
Rated/Max Power: 6W/10W
SPL 1W/1M: 101 dB
SPL Rated Power: 107 dB
Effective Freq. Range: 300 - 20000 Hz
Dispersion (-6dB) 1kHz/4kHz: 171°/40°

Applications:

- * Railways
- * Marine
- * Intercom Stations
- * Talkbacks
- * Digital Information Systems
- * Bell & Gong Sounds



Options:

- * Colour
- * Front grill
- * Impedance
- * Cable type

Watt:

- * 6W



A L A R M H O R N S



The alarm horns of DNH represents some of our biggest and loudest models. Typically they are a combination of a driver unit and a large horn extension. Perfect for covering large areas due to their excellent sound pressure levels. If you need a loudspeaker for an area with very high background noise, the DNH alarm series is strongly recommended.

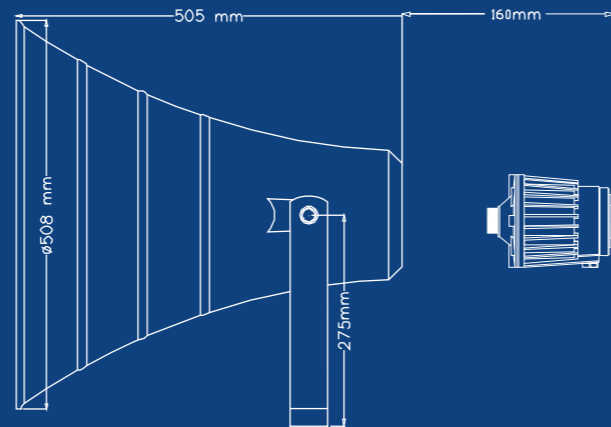
Our newest addition to the alarm series is the TUNNEL-500 model, an affordable tunnel speaker with fantastic quality.



DS (T)-100/DH-50



Material/Colour: Polyester/Aluminum Alloy/RAL 7035
 Mounting: Bracket/Threaded UNEF 1 3/8 - 18
 Termination: Inside Screw Terminal
 Weight: 7,7 kg
 IP Rating: 67
 Max/Min Amb. Temperature: 150°C/-50°C
 Rated/Max Power: 100W/100W
 SPL 1W/1M: 112 dB
 SPL Rated Power: 132 dB
 Effective Freq. Range: 200 - 5500 Hz
 Dispersion (-6dB) 1kHz/4kHz: 42°/25°



Applications:

- * Airports
- * Helidecks
- * Industry & Power Plants
- * Marine and Ports
- * Railways
- * Military & Government

Certificates:



Options:

- * Colour
- * Impedance
- * Custom made transformer
- * Fuse
- * Capacitor
- * Cable/Cable gland
- * Terminal
- * Customized label
- * Bracket solutions

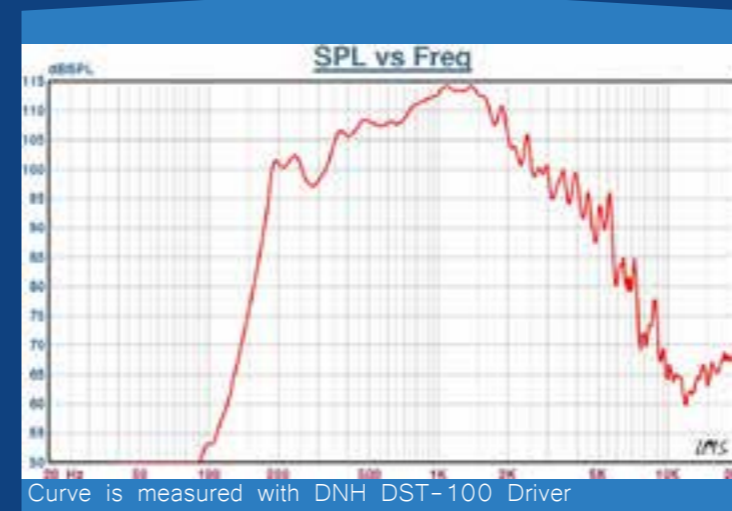
Watt:

- * 100W



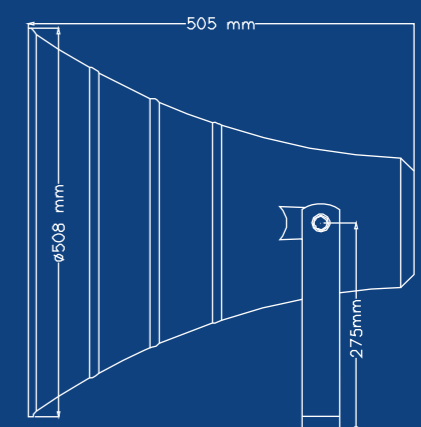
DH-50

Needs to be combined with a driver.



Material/Colour: Fiberglass & polyester/RAL 7035
 Mounting: Stainless steel bracket
 Termination: N/A
 Weight: 5,15 kg
 IP Rating: (-) 67
 Max/Min Amb. Temperature: -
 Rated/Max Power: -
 SPL 1W/1M: N/A
 SPL Rated Power: N/A
 Effective Freq. Range: N/A
 Dispersion (-6dB) 1kHz/4kHz: N/A

Curve is measured with DNH DST-100 Driver



Applications:

- * Alarm
- * Mosques
- * Helidecks
- * Coast Guard
- * Airports
- * Military & Government
- * Power Plants

Certificates:



Options:

- * Colour

Watt:

- * 40W (DUP-40)
- * 100W (DST-100)



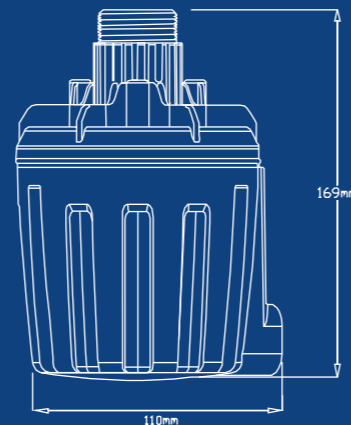
DUP-40 (T)



Material/Colour: Plastic V0 Halogen Free/Black
 Mounting: Threaded UNEF 1 3/8 - 18
 Termination: Inside Ceramic Terminals
 Weight: 1,2 kg
 IP Rating: 67
 Max/Min Amb. Temperature: 120°C/-50°C
 Rated/Max Power: 40W/60W
 SPL 1W/1M: 114 dB
 SPL Rated Power: 129 dB
 Effective Freq. Range: 350 - 8000 Hz
 Dispersion (-6dB) 1kHz/4kHz: 40°/35°

Applications:

- * Airports
- * Helidecks
- * Industry & Power Plants
- * Marine and Ports
- * Railways
- * Military & Government
- * Tunnels



Options:

- * Colour
- * Impedance
- * Custom made transformer
- * Fuse
- * Capacitor
- * Cable/Cable gland
- * Terminal
- * Customized label
- * Bracket solutions

Watt:

- * 40W



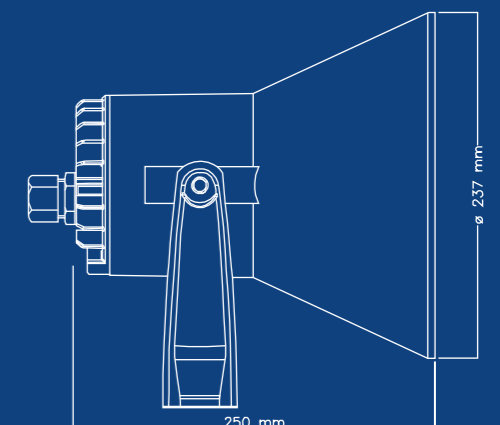
HPA-60



Material/Colour: PA/Aluminum Alloy/RAL 7035
 Mounting: Bracket
 Termination: Inside Screw Terminal
 Weight: 1,9 kg
 IP Rating: 67
 Max/Min Amb. Temperature: 150°C/-50°C
 Rated/Max Power: 60W/60W
 SPL 1W/1M: 110 dB
 SPL Rated Power: 126 dB
 Effective Freq. Range: 310 - 7000 Hz
 Dispersion (-6dB) 1kHz/4kHz: 115°/30°

Applications:

- * Airports
- * Helidecks
- * Industry & Power Plants
- * Marine and Ports
- * Railways
- * Military & Government



Certificates:



Options:

- * Colour
- * Impedance
- * Custom made transformer
- * Fuse
- * Capacitor
- * Cable/Cable gland
- * Terminal
- * Customized label
- * Bracket solutions

Watt:

- * 60W



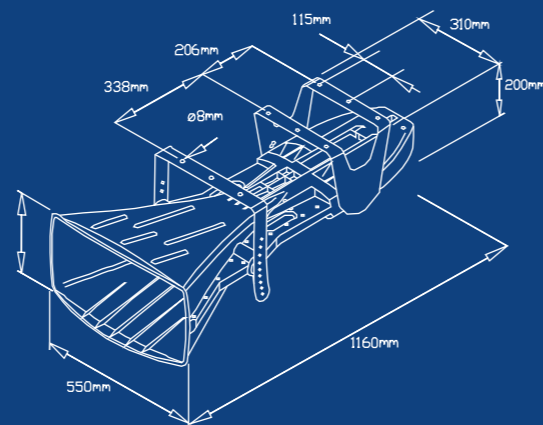
TUNNEL-500/DUP 40



Material/Colour: Plastic V0 Halogen Free/Black
 Mounting: 2 Brackets
 Termination: Inside Ceramic Terminal
 Weight: 13 kg
 IP Rating: 67 With DUP-40
 Max/Min Amb. Temperature: 90°C/-40°C
 Rated/Max Power: 40W/60W
 SPL 1W/1M: 113 dB
 SPL Rated Power: 127 dB
 Effective Freq. Range: 450 - 8125 Hz
 Dispersion (-6dB) 1kHz/4kHz: 40°/35°

Applications:

- * Tunnels



Certificates:



Options:

- * Colour
- * Impedance
- * Custom made transformer
- * Fuse
- * Capacitor
- * Cable/Cable gland
- * Terminal
- * Customized label
- * Bracket solutions

Watt:

- * 40W



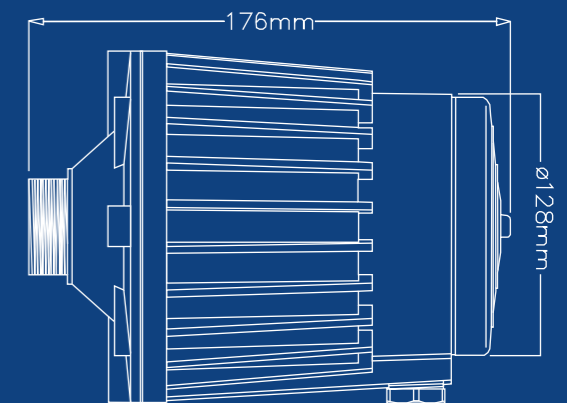
DST-100



Material/Colour: Aluminum Alloy/RAL 7035
 Mounting: Threaded UNEF 1 3/8 - 18
 Termination: Inside Screw Terminals
 Weight: 2,4 kg
 IP Rating: 67
 Max/Min Amb. Temperature: 150°C/-50°C
 Rated/Max Power: 100W/100W
 SPL 1W/1M: 112 dB
 SPL Rated Power: 132 dB
 Effective Freq. Range: 200 - 5000 Hz
 Dispersion (-6dB) 1kHz/4kHz: 50°/20°

Applications:

- * Airports
- * Helidecks
- * Industry & Power Plants
- * Marine and Ports
- * Railways
- * Military & Government



Certificates:



Options:

- * Colour
- * Impedance
- * Custom made transformer
- * Fuse
- * Capacitor
- * Cable/Cable gland
- * Terminal
- * Customized label
- * Bracket solutions

Watt:

- * 100W

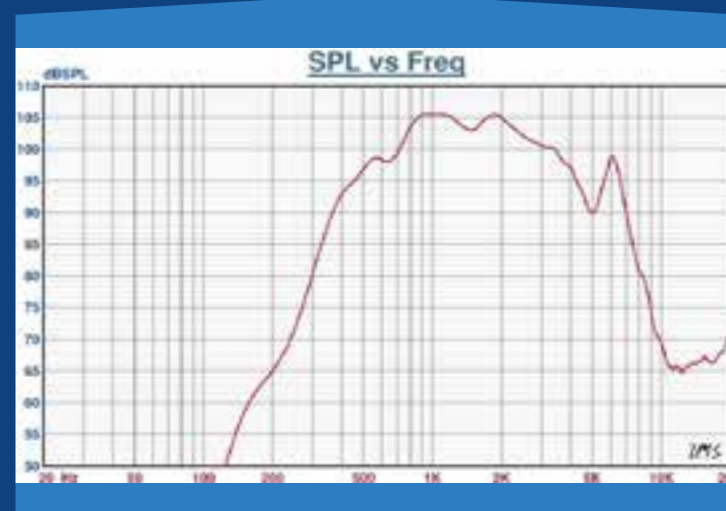


EX HORNS



DNH's top selling Ex horns. A very versatile horn series. Made from Polyamide or Aluminium the loudspeakers are incredibly sturdy and have an even more impressive sound pressure level. All Ex horns go through meticulous testing and are all ATEX certified.

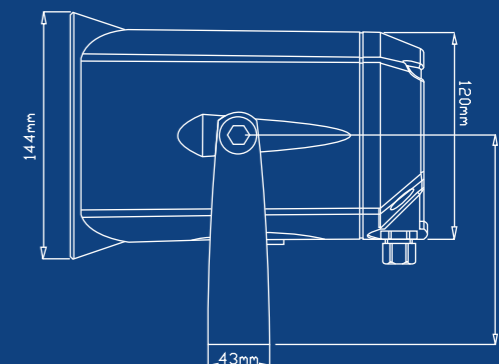
DSP-15EExmN (T)



Material/Colour: Anti-static PA/Black
Mounting: Bracket or swivel bracket
Termination: E-chamber, loop in/out, push terminals
Weight: 2,2 kg
IP Rating: 66/67
Max./min.amb.temp: 60°C/-50°C
Rated/max power: 25W/30W
SPL 1W/1m: 105 db
SPL Rated Power: 118 db
Effective freq. Range: 380 – 8000 Hz
Dispersion (-6dB) 1kHz/4kHz: 120°/37°

Applications:

- * Oil & Gas Industries
- * Chemical Industries
- * Power Plants
- * Machine Rooms
- * Petrol Stations
- * Petro Chemical



Certificates:



Options:

- * IIB & IIC
- * Power output
- * Impedance
- * Bracket solutions
- * Cable
- * Cable gland
- * Maintenance free
- * Customized label

Watt:

- * 25W
- * 20W
- * 15W
- * 8W
- * 2W
- * 1W



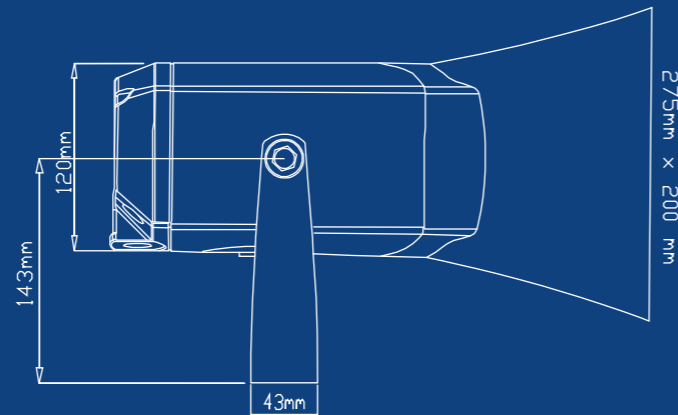
DSP-15EExmNL (T)



Material/Colour: Anti-static PA/Black
 Mounting: Bracket/Swivel Bracket
 Termination: E-chamber/Push Terminals
 Weight: 2,8 kg
 IP Rating: 66/67
 Max/Min Amb. Temperature: 60°C/-50°C
 Rated/Max Power: 25W/30W
 SPL 1W/1M: 109 dB
 SPL Rated Power: 122 dB
 Effective Freq. Range: 380 - 7000 Hz
 Dispersion (-6dB) 1kHz/4kHz: 100°/30°(horizontal)

Applications:

- * Oil & Gas Industries
- * Chemical Industries
- * Power Plants
- * Machinery Rooms
- * Petrol Stations
- * Petro Chemical



Certificates:



Options:

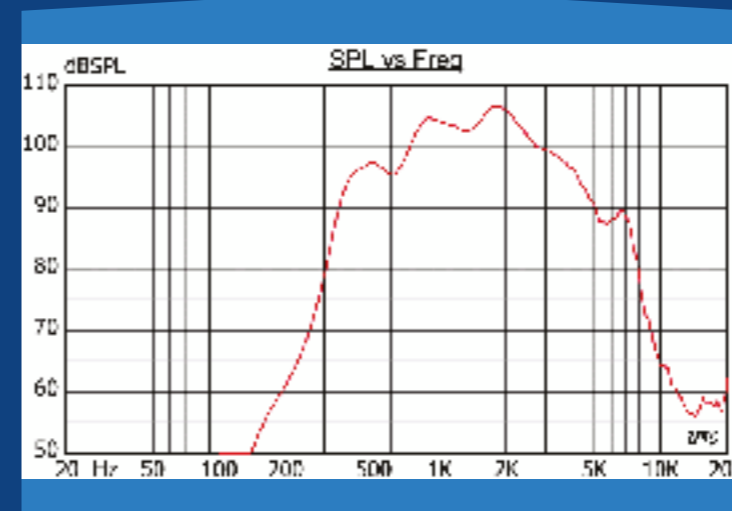
- * IIB & IIC
- * Impedance
- * Custom made transformer
- * Cable/Cable gland
- * Maintenance free
- * Customized label
- * Bracket solutions

Watt:

- * 25W
- * 15W



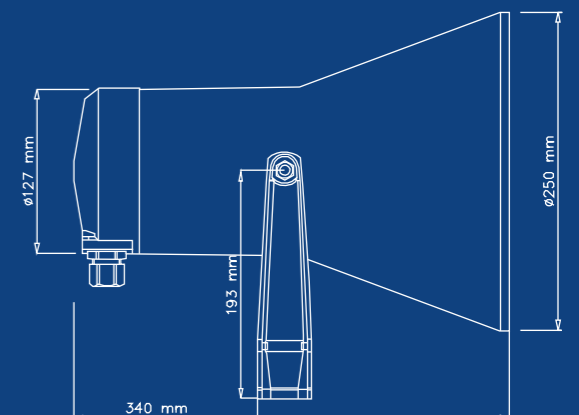
DSP-25EExmN (T)



Material/Colour: Anti-static Polyamide/Black
 Mounting: Brackets
 Termination: E-chamber, Screw Terminals
 Weight: 4,0 kg
 IP Rating: 66
 Max/Min Amb. Temperature: 55°C/-50°C
 Rated/Max Power: 25W/25W
 SPL 1W/1M: 108 dB
 SPL Rated Power: 120 dB
 Effective Freq. Range: 370 - 7500 Hz
 Dispersion (-6dB) 1kHz/4kHz: 98°/29°

Applications:

- * Oil & Gas Industries
- * Chemical Industries
- * Power Plants
- * Machinery Rooms
- * Petrol Stations
- * Petro Chemical



Certificates:



Options:

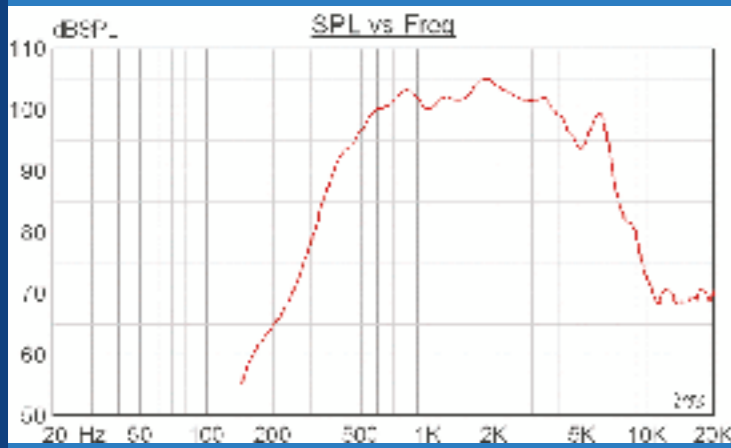
- * IIB & IIC
- * Impedance
- * Custom made transformer
- * Cable/Cable gland
- * Maintenance free
- * Customized label
- * Bracket solutions

Watt:

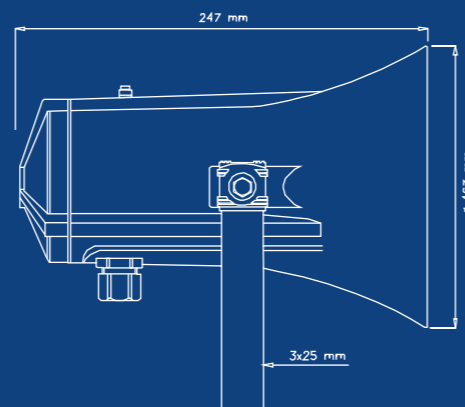
- * 25W



HS-15ExdFM (T)



Material/Colour: Aluminum Alloy/RAL 7035
 Mounting: Bracket
 Termination: Screw Terminals
 Weight: 2,8 kg
 IP Rating: 67
 Max/Min Amb. Temperature: 40°C/-20°C
 Rated/Max Power: 15W/15W
 SPL 1W/1M: 105 dB
 SPL Rated Power: 116 dB
 Effective Freq. Range: 410 - 7000 Hz
 Dispersion (-6dB) 1kHz/4kHz: 140°/40°



Applications:

- * Oil & Gas Industries
- * Chemical Industries
- * Power Plants
- * Machinery Rooms
- * Petrol Stations
- * Petro Chemical

Certificates:



Options:

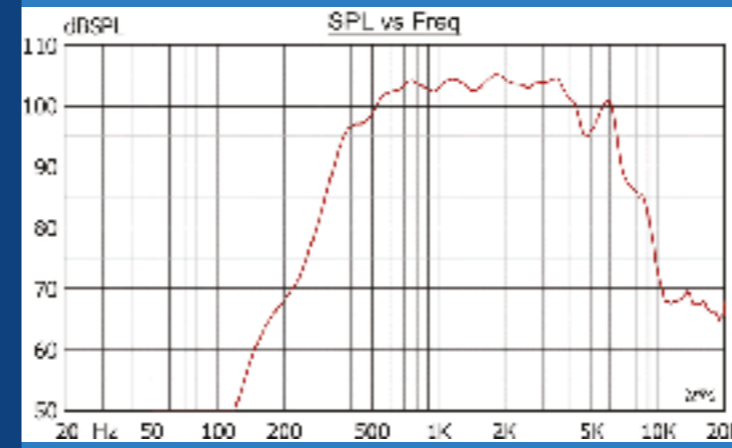
- * Colour
- * Impedance
- * Cable/Cable gland
- * Customized label

Watt:

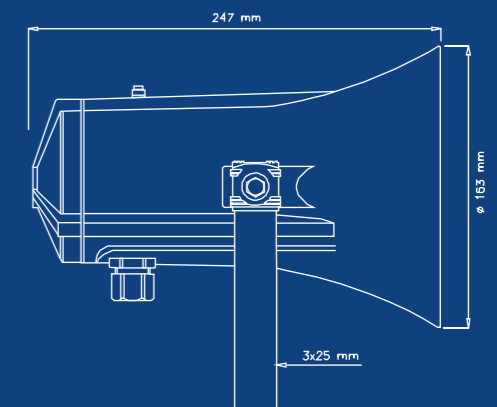
- * 15W



HS-15EExIIN (T)



Material/Colour: Aluminum Alloy(LM 6)/RAL 7035
 Mounting: Bracket
 Termination: E-chamber, Screw Terminals
 Weight: 2,7 kg
 IP Rating: 67
 Max/Min Amb. Temperature: 50°C/-50°C
 Rated/Max Power: 15W/15W
 SPL 1W/1M: 107 dB
 SPL Rated Power: 118 dB
 Effective Freq. Range: 370 - 7500 Hz
 Dispersion (-6dB) 1kHz/4kHz: 140°/30°



Applications:

- * Oil & Gas Industries
- * Chemical Industries
- * Power Plants
- * Machinery Rooms
- * Petrol Stations
- * Petro Chemical

Certificates:



Options:

- * Colour
- * Impedance
- * Custom made transformer
- * Cable/Cable gland
- * Customized label
- * Bracket solutions
- * Terminal

Watt:

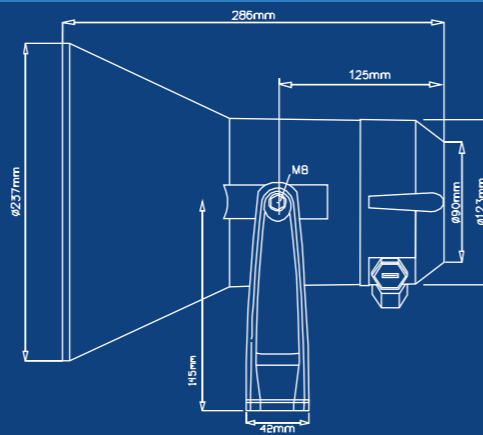
- * 15W



HP-20EExIIN (T)



Material/Colour: Anti-static PA/Black
Mounting: Bracket
Termination: Internal Screw Terminal
Weight: 2,0 kg
IP Rating: 67
Max/Min Amb. Temperature: 50°C/-50°C
Rated/Max Power: 20W/20W
SPL 1W/1M: 110 dB
SPL Rated Power: 122 dB
Effective Freq. Range: 310 - 8000 Hz
Dispersion (-6dB) 1kHz/4kHz: 115°/25°



Applications:

- * Oil & Gas Industries
- * Chemical Industries
- * Power Plants
- * Machinery Rooms
- * Petrol Stations
- * Petro Chemical

Certificates:



Options:

- * Impedance
- * Custom made transformer
- * Cable/Cable gland
- * Customized label
- * Bracket solutions
- * Terminal

Watt:

- * 20W



Ex CABINETS



DNH's Ex cabinet series are all ATEX-approved, bi-directional speakers made from aluminum. They are used for cabins, hallways etc. in hazardous areas.

DNH can also deliver all models with two separate loudspeakers, two transformers and two terminals in one Ex housing.



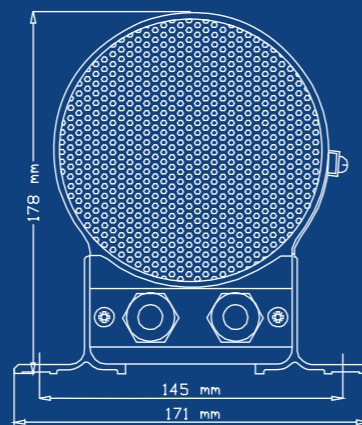
CAREEX-6 (T)



Material/Colour: Aluminum/Anodized
 Mounting: Foot Bracket
 Termination: E-chamber/Screw Terminals
 Weight: 3,6 kg
 IP Rating: 67 in E-chamber
 Max/Min Amb. Temperature: 40°C/-20°C
 Rated/Max Power: 6W/15W
 SPL 1W/1M: 90 dB
 SPL Rated Power: 97 dB
 Effective Freq. Range: 160 - 16000 Hz
 Dispersion (-6dB) 1kHz/4kHz: 200°/40°

Applications:

- * Accomodations
- * Petrol Stations
- * Factories
- * Hallways & Corridors
- * Cranes
- * Elevators
- * Modules
- * Machinery Rooms



Certificates:



Options:

- * Colour
- * Watt
- * Transformer
- * Terminal
- * Pre tapped options
- * Impedance
- * Cable
- * Cable glands/blind plugs
- * Maintenance free (MF)

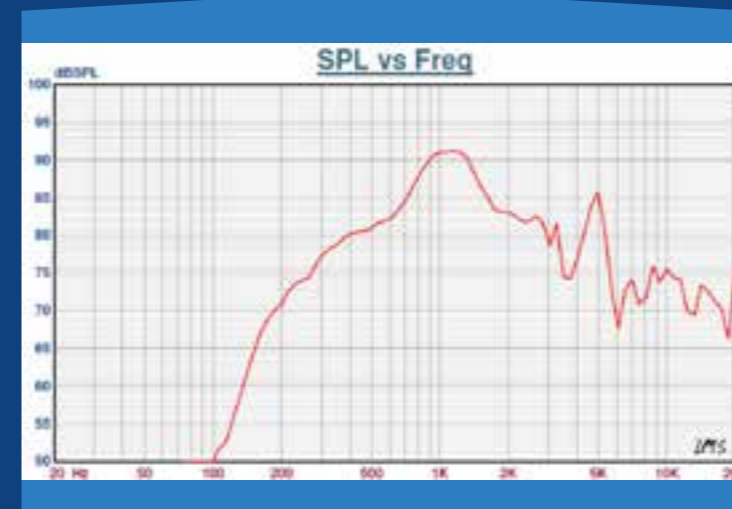
- * A+B solution
- * Bracket solutions

Watt:

- * 6W
- * 3W
- * 2W
- * 1W



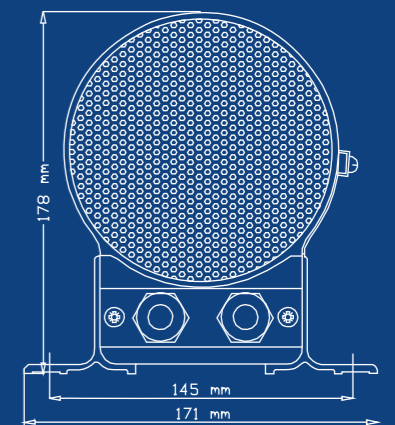
CAREEX-6 (T)x2



Material/Colour: Aluminum/Anodized
 Mounting: Foot Bracket
 Termination: E-chamber/Screw Terminals
 Weight: 3,8 kg
 IP Rating: 67 in E-chamber
 Max/Min Amb. Temperature: 40°C/-20°C
 Rated/Max Power: 3W/6W
 SPL 1W/1M: 81 dB
 SPL Rated Power: 85 dB
 Effective Freq. Range: 190 - 20000 Hz
 Dispersion (-6dB) 1kHz/4kHz: -

Applications:

- * Accomodations
- * Petrol Stations
- * Factories
- * Hallways & Corridors
- * Cranes
- * Elevators
- * Modules
- * Machinery Rooms



Certificates:



Options:

- * Colour
- * Transformer
- * Terminal
- * Pre tapped options
- * Impedance
- * Cable/Cable gland
- * Bracket solutions
- * Maintenance free (MF)

Watt:

- * 2x3W



E X C E I L I N G



DNH's Ex ceiling series is a robust and clever line of loudspeakers. With an IP-rating of minimum 54, it makes the loudspeakers very flexible regarding placement and the sound characteristics ensure high quality sound in any situation.

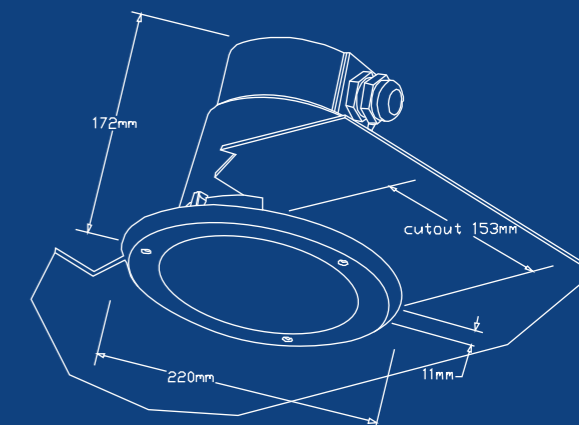
BA-56EExeN (T)



Material/Colour: Aluminum/RAL 9010
Mounting: 3 Screws
Termination: E-chamber/Screw Terminals
Weight: 3,0 kg
IP Rating: 54
Max/Min Amb. Temperature: 50°C/-20°C
Rated/Max Power: 6W/6W
SPL 1W/1M: 88 dB
SPL Rated Power: 95 dB
Effective Freq. Range: 160 - 15000 Hz
Dispersion (-6dB) 1kHz/4kHz: 113°/25°

Applications:

- * Accomodations
- * Petrol Stations
- * Factories
- * Hallways & Corridors
- * Containers/Modules



Certificates:



Options:

- * Colour
- * Transformer
- * Terminal
- * Pre tapped options
- * Impedance
- * Cable
- * Cable glands/blind plugs
- * Maintenance free (MF)

- * A+B solution
- * Line monitoring card

Watt:

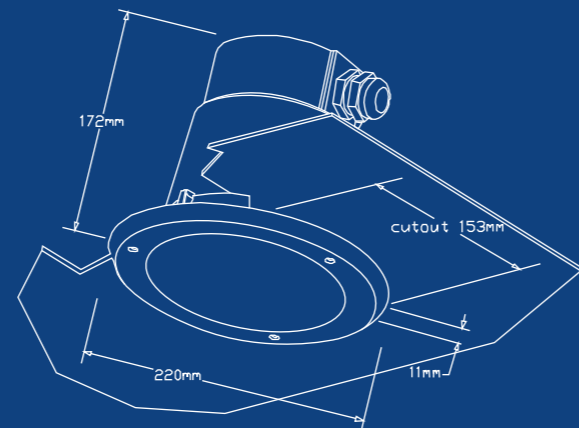
- * 6W
- * 3W
- * 2W
- * 1W



BA-56EExeN (T)x2



Material/Colour: Aluminum/RAL 9010
Mounting: 3 Screws
Termination: E-chamber/Screw Terminals
Weight: 3,1 kg
IP Rating: 54
Max/Min Amb. Temperature: 50°C/-20°C
Rated/Max Power: 2x3W/2x3W
SPL 1W/1M: 83 dB
SPL Rated Power: 87 dB
Effective Freq. Range: 190 - 15000 Hz
Dispersion (-6dB) 1kHz/4kHz: 113°/40°



Applications:

- * Accomodations
- * Petrol Stations
- * Factories
- * Hallways & Corridors
- * Containers/Modules

Certificates:



Options:

- * Colour
- * Transformer
- * Terminal
- * Pre tapped options
- * Impedance
- * Cable/Cable gland
- * Line monitoring card
- * Maintenance free (MF)

Watt:

- * 2x3W



PROJECTORS



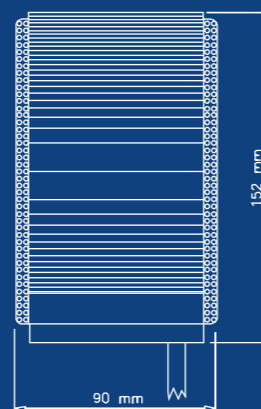
The DNH projector series sports a line of very directional loudspeakers. The range is specially designed for applications such as railways and airports. The high sensitivity and extended frequency range make the model excellent for public address systems and background music.



CAR-4 (T)



Material/Colour: Aluminum/RAL 9010
 Mounting: Foot Bracket
 Termination: Cable, 1m
 Weight: 1,3 kg
 IP Rating: -
 Max/Min Amb. Temperature: 90°C/-40°C
 Rated/Max Power: 4W/6W
 SPL 1W/1M: 90 dB
 SPL Rated Power: 96 dB
 Effective Freq. Range: 150 - 20000 Hz
 Dispersion (-6dB) 1kHz/4kHz: 360°/50°



Applications:

- * Cruise Ships & Marine
- * Railway & Metro
- * Parking & Tunnels
- * Airports
- * Industries
- * Retail & Shopping Centres
- * Corridors & Hallways

Certificates:



Options:

- * Impedance
- * Custom made transformer
- * Fuse
- * Capacitor
- * Cable/Cable gland
- * Terminal
- * Fire resistant version
- * Volume control
- * Clean room version

Watt:

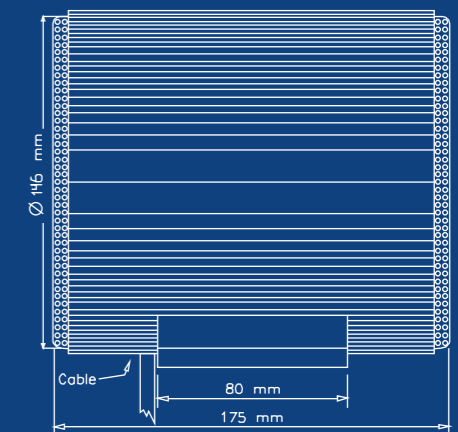
- * 4W
- * 2W
- * 1W
- * 0,5W



CAR-6 (T)



Material/Colour: Aluminum/RAL 9010 or anodized
 Mounting: Foot Bracket
 Termination: Cable 1m
 Weight: 1,9 kg
 IP Rating: N/A
 Max/Min Amb. Temperature: 90°C/-40°C
 Rated/Max Power: 6W/10W
 SPL 1W/1M: 90 dB
 SPL Rated Power: 96 dB
 Effective Freq. Range: 150 - 20000 Hz
 Dispersion (-6dB) 1kHz/4kHz: 360°/2x60°



Applications:

- * Cruise Ships & Marine
- * Prisons
- * Railway & Metro
- * Saunas
- * Airports
- * Schools & Kindergardens
- * Offices & Shopping Centres
- * Hospitals & Pharmaceutical Industries

Certificates:



Options:

- * Impedance
- * Custom made transformer
- * Fuse
- * Capacitor
- * Cable/Cable gland
- * Terminal
- * Brackets
- * Volume control
- * Clean room version

Watt:

- * 6W
- * 3W
- * 1,5W
- * 0,5W



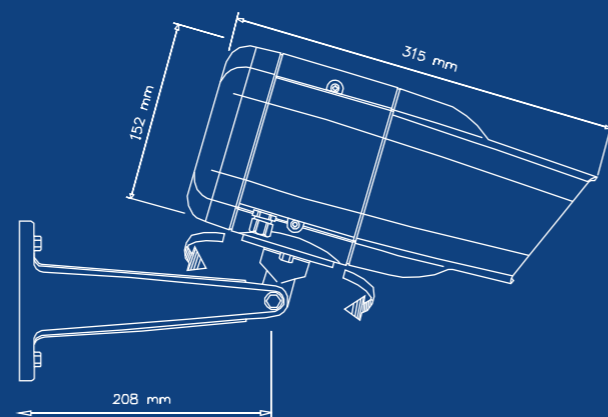
DP-10 (T)



Material/Colour: Ronfalin (5VA)/RAL 7035
 Mounting: Polyamide Swivel Bracket
 Termination: Screw Terminals
 Weight: 2,4 kg
 IP Rating: 55
 Max/Min Amb. Temperature: 90°C/-40°C
 Rated/Max Power: 10W/15W
 SPL 1W/1M: 92 dB
 SPL Rated Power: 102 dB
 Effective Freq. Range: 140 - 16000 Hz
 Dispersion (-6dB) 1kHz/4kHz: 120°/41°(horizontal)

Applications:

- * Cruise Ships & Marine
- * Railway & Metro
- * Parking & Tunnels
- * Airports
- * Industries
- * Retail & Shopping Centres
- * Corridors & Hallways



Certificates:



Options:

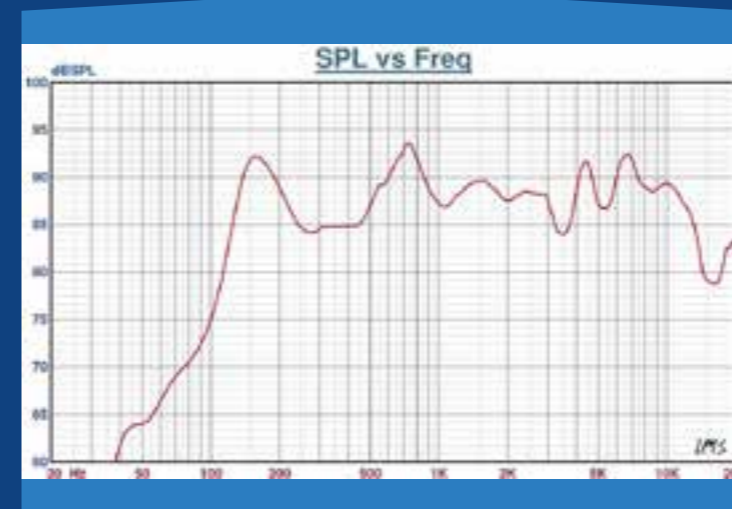
- * Impedance
- * Custom made transformer
- * Fuse
- * Capacitor
- * Cable/Cable gland
- * Terminal
- * Bracket solutions

Watt:

- * 10W



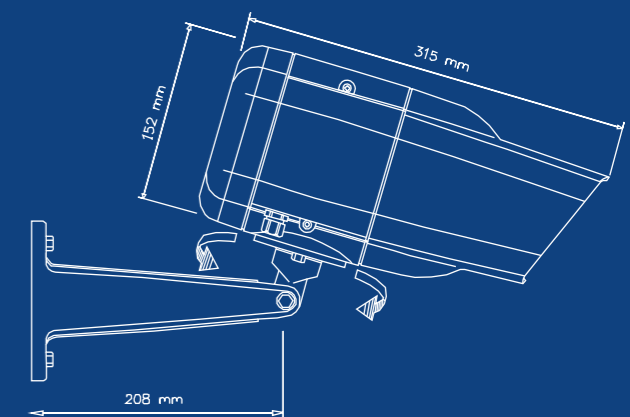
DP-30 (T)



Material/Colour: Ronfalin (5VA)/RAL 7035
 Mounting: Polyamide Swivel Bracket
 Termination: Screw Terminals
 Weight: 3,0 kg
 IP Rating: 55
 Max/Min Amb. Temperature: 90°C/-40°C
 Rated/Max Power: 30W/50W
 SPL 1W/1M: 89 dB
 SPL Rated Power: 104 dB
 Effective Freq. Range: 110 - 20000 Hz
 Dispersion (-6dB) 1kHz/4kHz: 110°/40°

Applications:

- * Cruise Ships & Marine
- * Railway & Metro
- * Parking & Tunnels
- * Airports
- * Industries
- * Retail & Shopping Centres
- * Corridors & Hallways



Certificates:



Options:

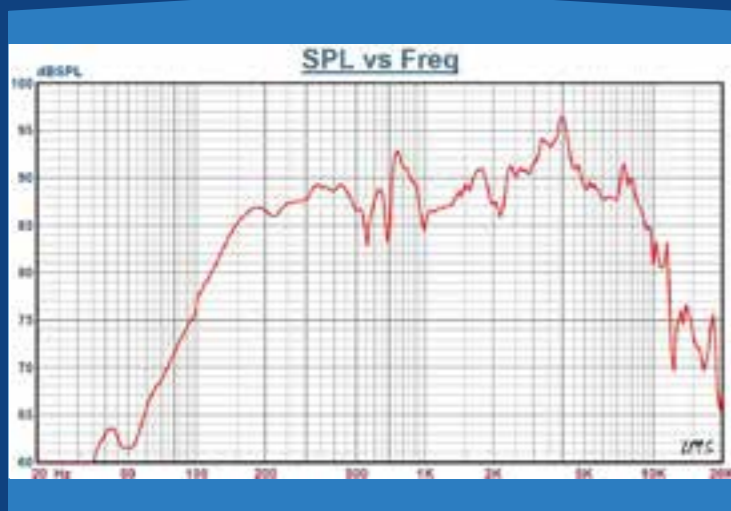
- * Impedance
- * Custom made transformer
- * Fuse
- * Capacitor
- * Cable/Cable gland
- * Terminal
- * Bracket solutions

Watt:

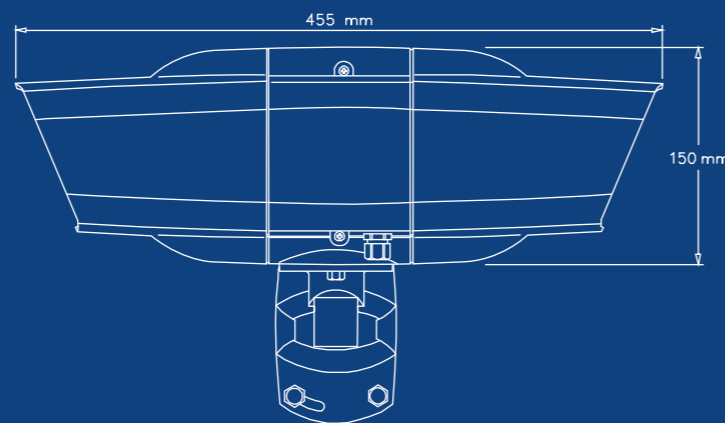
- * 30W



DPD-10 (T)



Material/Colour: Ronfalin (5VA)/RAL 7035
 Mounting: Polyamide Swivel Bracket
 Termination: Screw Terminals
 Weight: 3,3 kg
 IP Rating: 55
 Max/Min Amb. Temperature: 90°C/-40°C
 Rated/Max Power: 10W/15W
 SPL 1W/1M: 89 dB
 SPL Rated Power: 98 dB
 Effective Freq. Range: 110 - 16000 Hz
 Dispersion (-6dB) 1kHz/4kHz: 2x156°/2x42°



Applications:

- * Cruise Ships & Marine
- * Railway & Metro
- * Parking & Tunnels
- * Airports
- * Industries
- * Retail & Shopping Centres
- * Corridors & Hallways

Certificates:



Options:

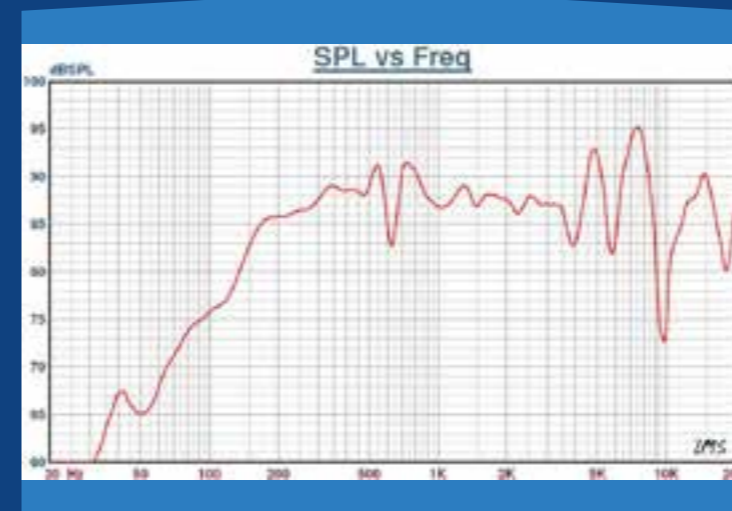
- * Impedance
- * Custom made transformer
- * Fuse
- * Capacitor
- * Cable/Cable gland
- * Terminal
- * Bracket solutions

Watt:

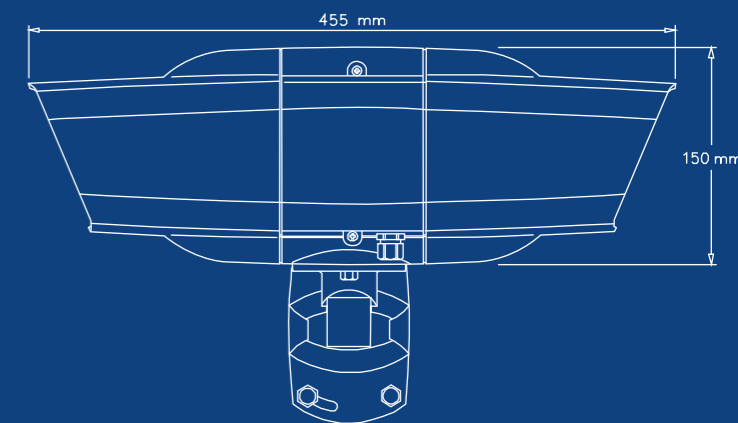
- * 10W



DPD-30 (T)



Material/Colour: Ronfalin (5VA)/RAL 7035
 Mounting: Polyamide Swivel Bracket
 Termination: Screw Terminals
 Weight: 4,2 kg
 IP Rating: 55
 Max/Min Amb. Temperature: 90°C/-40°C
 Rated/Max Power: 30W/50W
 SPL 1W/1M: 88 dB
 SPL Rated Power: 101 dB
 Effective Freq. Range: 80 - 20000 Hz
 Dispersion (-6dB) 1kHz/4kHz: 2x145°/2x87°



Applications:

- * Cruise Ships & Marine
- * Railway & Metro
- * Parking & Tunnels
- * Airports
- * Industries
- * Retail & Shopping Centres
- * Corridors & Hallways

Certificates:



Options:

- * Impedance
- * Custom made transformer
- * Fuse
- * Capacitor
- * Cable/Cable gland
- * Terminal
- * Bracket solutions

Watt:

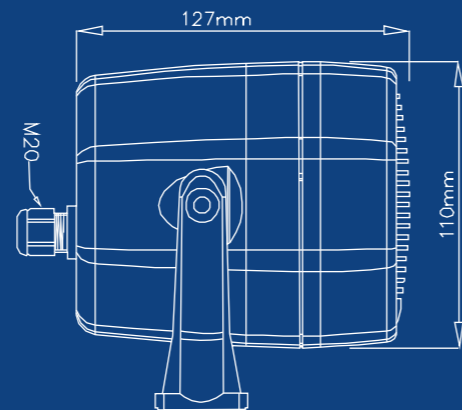
- * 30W



VEP-6 (T)



Material/Colour: ABS/RAL 7035
 Mounting: Polyamid Bracket
 Termination: Screw Terminals
 Weight: 0,7 kg
 IP Rating: 44
 Max/Min Amb. Temperature: 90°C/-40°C
 Rated/Max Power: 6W/10W
 SPL 1W/1M: 87 dB
 SPL Rated Power: 94 dB
 Effective Freq. Range: 170 - 20000 Hz
 Dispersion (-6dB) 1kHz/4kHz: 210°/60°



Applications:

- * Car Parks
- * Hallways & Corridors
- * Railways
- * Metro
- * Factories
- * Public Address
- * Petrol Stations
- * Restaurants

Certificates:



Options:

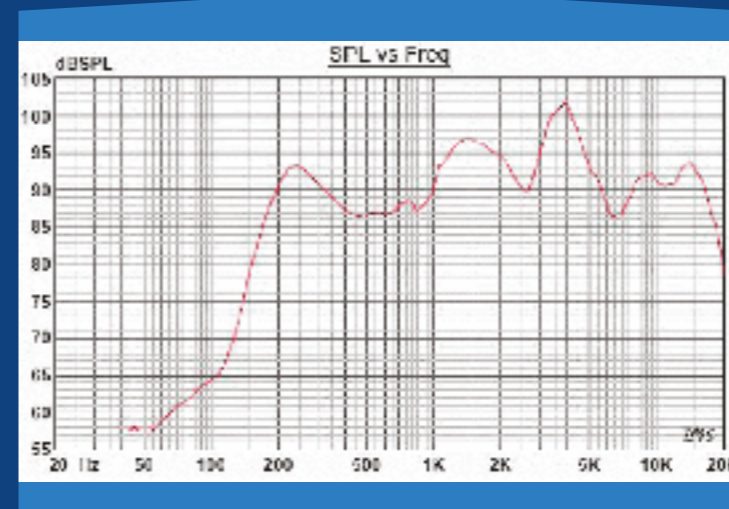
- * Colour
- * Transformer
- * Pre tapped options
- * Impedance
- * Cable
- * Cable gland
- * Fuse

Watt:

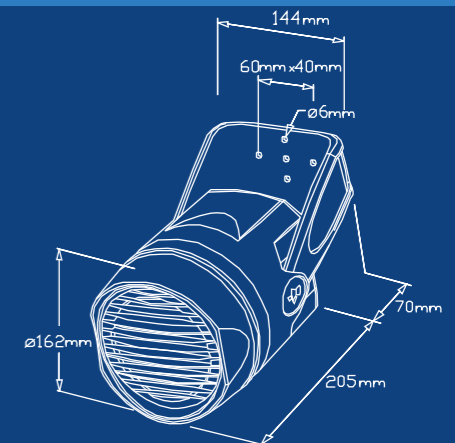
- * 6W



VEP-15 (T)



Material/Colour: ABS/V0/RAL7035
 Mounting: Bracket
 Termination: Internal Screw Terminal
 Weight: 1,84 kg
 IP Rating: 55
 Max/Min Amb. Temperature: 90°C/-40°C
 Rated/Max Power: 15W/20W
 SPL 1W/1M: 92 dB
 SPL Rated Power: 104 dB
 Effective Freq. Range: 150 - 20000 Hz
 Dispersion (-6dB) 1kHz/4kHz: 151°/47°



Applications:

- * Railroad & Metro
- * Car Parks
- * Commercial Buildings
- * Factories

Certificates:



Options:

- * Impedance
- * Transformer
- * Cable gland

Watt:

- * 15W



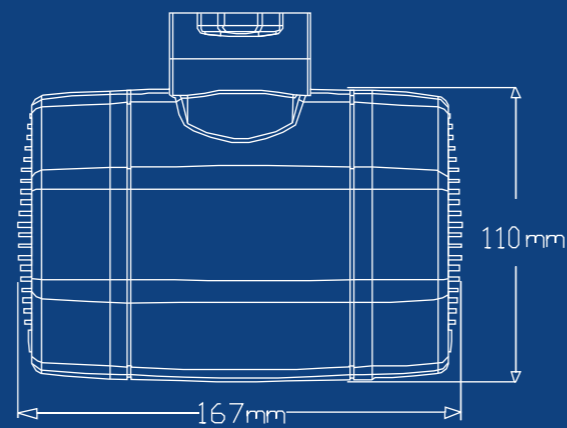
BIVEP-6 (T)



Material/Colour: ABS/RAL 7035
Mounting: Foot Bracket
Termination: Internal Screw Terminals
Weight: 0,94 kg
IP Rating: 44
Max/Min Amb. Temperature: 90°C/-40°C
Rated/Max Power: 6W/10W
SPL 1W/1M: 87 dB
SPL Rated Power: 94 dB
Effective Freq. Range: 155 - 20000 Hz
Dispersion (-6dB) 1kHz/4kHz: 360°/2x70°

Applications:

- * Railroad & Metro
- * Car Parks
- * Commercial Buildings
- * Factories



Certificates:



Options:

- * Impedance
- * Transformer
- * Cable gland

Watt:

- * 6W



C A B I N E T S



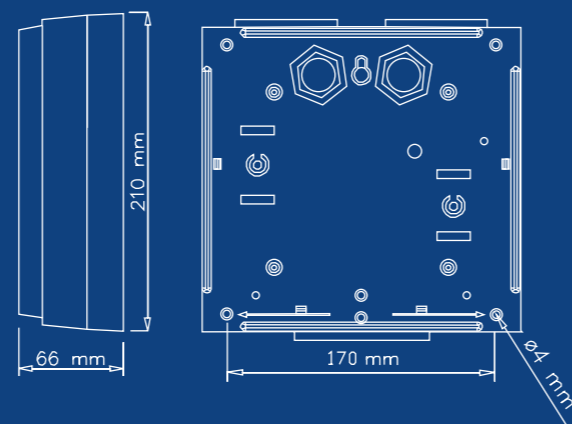
The DNH cabinet series sports a wide range of shapes and designs. Easy to install and easy to terminate, these loudspeakers also provide excellent sound for a large variety of environments. From vandal-proof SAFE-m6, to a sauna speaker to the unique looking TRIC-6, DNH's cabinet series has a product for every taste and need.



B-406 (T)



Material/Colour: ABS/Light Grey
 Mounting: Screws & Keyhole
 Termination: Spring Clamps
 Weight: 1,1 kg
 IP Rating: -
 Max/Min Amb. Temperature: 90°C/-20°C
 Rated/Max Power: 6W/8W
 SPL 1W/1M: 94 dB
 SPL Rated Power: 100 dB
 Effective Freq. Range: 160 - 16000 Hz
 Dispersion (-6dB) 1kHz/4kHz: 140°/48°



- Applications:**
- * Cruise Ships & Marine
 - * Prisons
 - * Railway & Metro
 - * Saunas
 - * Airports
 - * Schools & Kindergardens
 - * Offices & Shopping Centres
 - * Hospitals & Pharmaceutical Industries

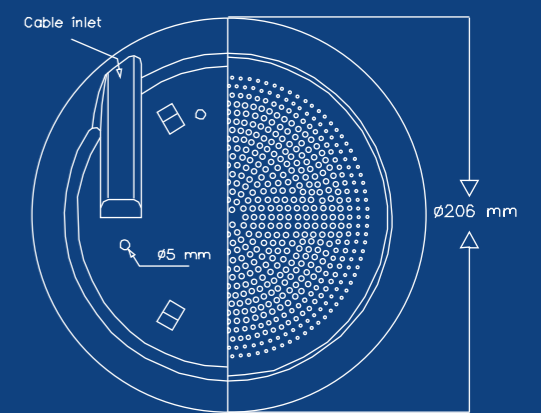
- Certificates:**
- Options:**
- * Impedance
 - * Custom made transformer
 - * Fuse
 - * Capacitor
 - * Cable/Cable gland
 - * Terminal
 - * Brackets
 - * Volume control
- Watt:**
- * 6W
 - * 3W
 - * 1,5W
 - * 0,5W



BLC-550 (T)



Material/Colour: ABS/RAL 9010
 Mounting: Screws (Max Ø5mm)
 Termination: Spring Clamps
 Weight: 0,93 kg
 IP Rating: -
 Max/Min Amb. Temperature: 90°C/-20°C
 Rated/Max Power: 6W/6W
 SPL 1W/1M: 90 dB
 SPL Rated Power: 97 dB
 Effective Freq. Range: 140 - 20000 Hz
 Dispersion (-6dB) 1kHz/4kHz: 110°/55°



- Applications:**
- * Cruise Ships & Marine
 - * Prisons
 - * Railway & Metro
 - * Saunas
 - * Airports
 - * Schools & Kindergardens
 - * Offices & Shopping Centres
 - * Hospitals & Pharmaceutical Industries

- Certificates:**
- Options:**
- * Impedance
 - * Custom made transformer
 - * Fuse
 - * Capacitor
 - * Cable/Cable gland
 - * Terminal
 - * Brackets
 - * Volume control
 - * Clean room version
- Watt:**
- * 6W
 - * 3W
 - * 1,5W
 - * 0,5W



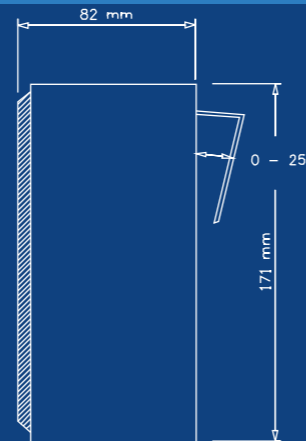
CW-4 (T)



Material/Colour: Particle board/Walnut
Mounting: Screws, Keyhole
Termination: Spring Clamp
Weight: 1,25 kg
IP Rating: -
Max/Min Amb. Temperature: 90°C/-40°C
Rated/Max Power: 6W/8W
SPL 1W/1M: 90 dB
SPL Rated Power: 97 dB
Effective Freq. Range: 150 - 15000 Hz
Dispersion (-6dB) 1kHz/4kHz: 140°/120°

Applications:

- * Restaurants
- * Lounges
- * Airports
- * Schools & Kindergardens
- * Offices & Shopping Centres



Certificates:



Options:

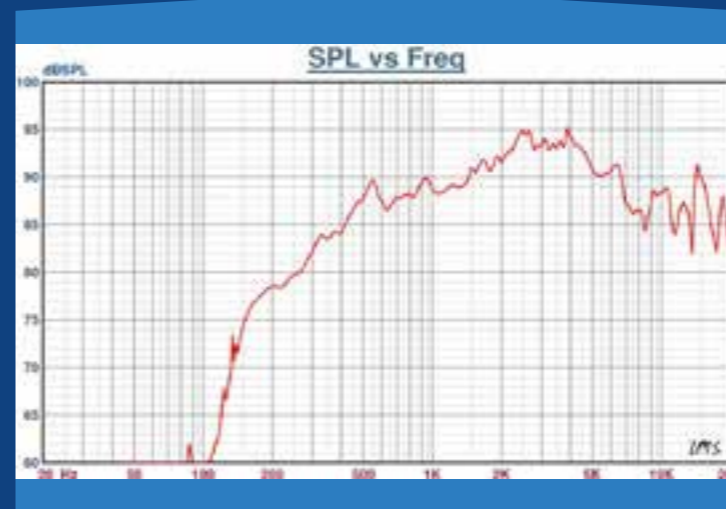
- * Impedance
- * Custom made transformer
- * Fuse
- * Capacitor
- * Cable/Cable gland
- * Terminal

Watt:

- * 6W
- * 3W
- * 1,5W
- * 0,5W



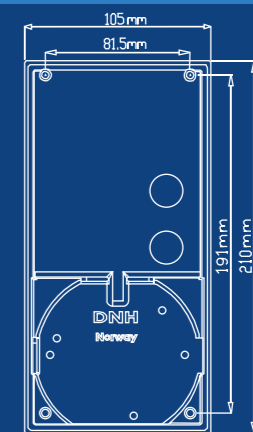
SAFE-m6 (T)



Material/Colour: Aluminum/RAL 9010 or RAL 3000
Mounting: 4 Screws
Termination: Inside Screw Terminal
Weight: 1,35 kg
IP Rating: 56 (Terminal Chamber)
Max/Min Amb. Temperature: 150°C/-40°C
Rated/Max Power: 6W/10W
SPL 1W/1M: 89 dB
SPL Rated Power: 97 dB
Effective Freq. Range: 160 - 20000 Hz
Dispersion (-6dB) 1kHz/4kHz: 165°/110°

Applications:

- * Cruise Ships & Marine
- * Prisons
- * Railway & Metro
- * Saunas
- * Airports
- * Schools & Kindergardens
- * Offices & Shopping Centres
- * Hospitals & Pharmaceutical Industries



Certificates:



Options:

- * Impedance
- * Custom made transformer
- * Fuse
- * Capacitor
- * Cable/Cable gland
- * Terminal
- * Brackets
- * Volume control

Watt:

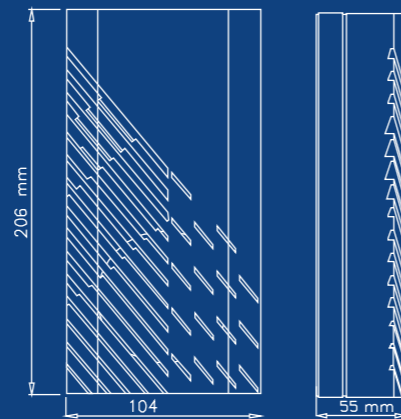
- * 6W
- * 3W
- * 1,5W
- * 0,5W



SAFE-10P (T)



Material/Colour: ABS/RAL 9010
 Mounting: 4 Screws
 Termination: Inside screw terminal
 Weight: 0,8 kg
 IP Rating: 44
 Max/Min Amb. Temperature: 90°C/-40°C
 Rated/Max Power: 10W/15W
 SPL 1W/1M: 87 dB
 SPL Rated Power: 97 dB
 Effective Freq. Range: 160 - 17000 Hz
 Dispersion (-6dB) 1kHz/4kHz: 115°/70°



Applications:

- * Cruise Ships & Marine
- * Prisons
- * Railway & Metro
- * Saunas
- * Airports
- * Schools & Kindergardens
- * Offices & Shopping Centres
- * Hospitals & Pharmaceutical Industries

Certificates:



Options:

- * Colour
- * Transformer
- * Pre tapped options
- * Impedance
- * Cable
- * Cable gland
- * Fuse
- * Terminal
- * Capacitor

Watt:

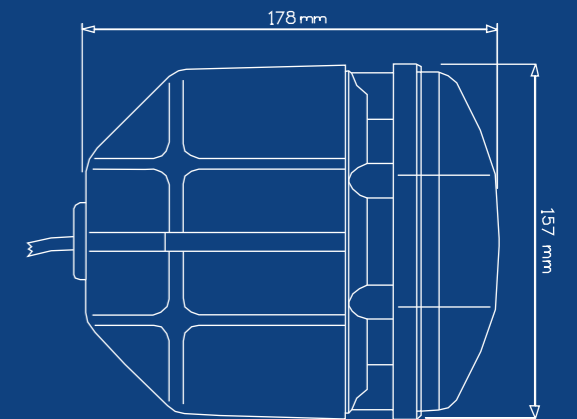
- * 10W
- * 5W
- * 2,5W
- * 1W



Prosound-300 (T)



Material/Colour: Polyamide/RAL 7035
 Mounting: Multiple Options
 Termination: Cable, 2m
 Weight: 2,5 kg
 IP Rating: 54
 Max/Min Amb. Temperature: 90°C/-20°C
 Rated/Max Power: 30W/50W
 SPL 1W/1M: 85 dB
 SPL Rated Power: 100 dB
 Effective Freq. Range: 125 - 20000 Hz
 Dispersion (-6dB) 1kHz/4kHz: 120°/100°



Applications:

- * Cruise Ships & Marine
- * Prisons
- * Railway & Metro
- * Saunas
- * Airports
- * Schools & Kindergardens
- * Offices & Shopping Centres
- * Hospitals & Pharmaceutical Industries

Certificates:



Options:

- * Colour
- * Transformer
- * Pre tapped options
- * Impedance
- * Cable
- * Cable gland
- * Fuse
- * Terminal
- * Capacitor

Watt:

- * 30W
- * 15W
- * 7,5W
- * 5W
- * 2,5W
- * 1,5W



CP-6 (T)



Material/Colour: ABS/RAL 9010
 Mounting: 3 Screws
 Termination: Internal Screw Terminals
 Weight: 0,6 kg
 IP Rating: -
 Max/Min Amb. Temperature: 90°C/-20°C
 Rated/Max Power: 6W/10W
 SPL 1W/1M: 86 dB
 SPL Rated Power: 94 dB
 Effective Freq. Range: 170 - 20000 Hz
 Dispersion (-6dB) 1kHz/4kHz: 130°/175°

Applications:

- * Cruise Ships & Marine
- * Prisons
- * Railway & Metro
- * Saunas
- * Airports
- * Schools & Kindergardens
- * Offices & Shopping Centres
- * Hospitals & Pharmaceutical Industries



Certificates:



Options:

- * Colour
- * Transformer
- * Pre tapped options
- * Impedance
- * Cable
- * Cable gland
- * Fuse
- * Terminal
- * Capacitor

Watt:

- * 6W
- * 3W
- * 1,5W
- * 0,5W



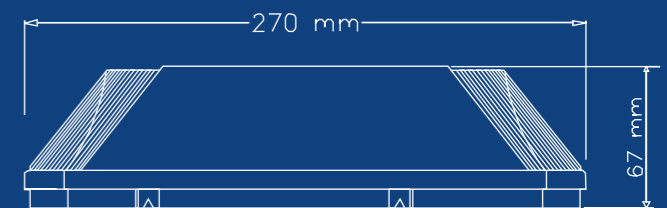
CP-66 (T)



Material/Colour: ABS/RAL 9010
 Mounting: 4 Screws
 Termination: Internal Screw Terminal
 Weight: 0,77 kg
 IP Rating: 54
 Max/Min Amb. Temperature: 90°C/-20°C
 Rated/Max Power: 6W/10W
 SPL 1W/1M: 86 dB
 SPL Rated Power: 94 dB
 Effective Freq. Range: 140 - 20000 Hz
 Dispersion (-6dB) 1kHz/4kHz: 250°/195°

Applications:

- * Cruise Ships & Marine
- * Prisons
- * Railway & Metro
- * Saunas
- * Airports
- * Schools & Kindergardens
- * Offices & Shopping Centres
- * Hospitals & Pharmaceutical Industries



Certificates:



Options:

- * Colour
- * Transformer
- * Pre tapped options
- * Impedance
- * Cable
- * Cable gland
- * Fuse
- * Terminal
- * Capacitor

Watt:

- * 6W
- * 3W
- * 1,5W
- * 0,5W



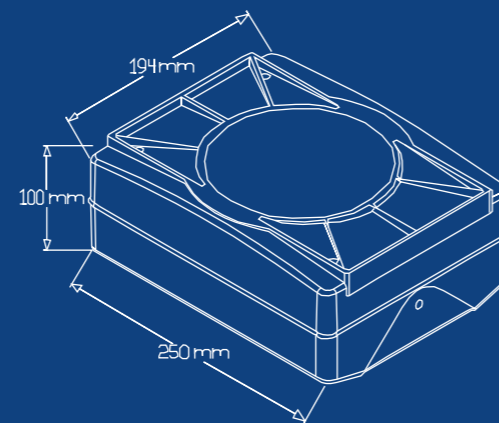
CP-50 (T)



Material/Colour: Plastic/Black
Mounting: Bracket
Termination: Cable 0,5m
Weight: 2,3 kg
IP Rating: -
Max/Min Amb. Temperature: 90°C/-25°C
Rated/Max Power: 50W/70W
SPL 1W/1M: 98 dB
SPL Rated Power: 115 dB
Effective Freq. Range: 150 - 20000 Hz
Dispersion (-6dB) 1kHz/4kHz: -

Applications:

- * Restaurants
- * Lounges
- * Airports
- * Schools & Kindergardens
- * Offices & Shopping Centres



Options:

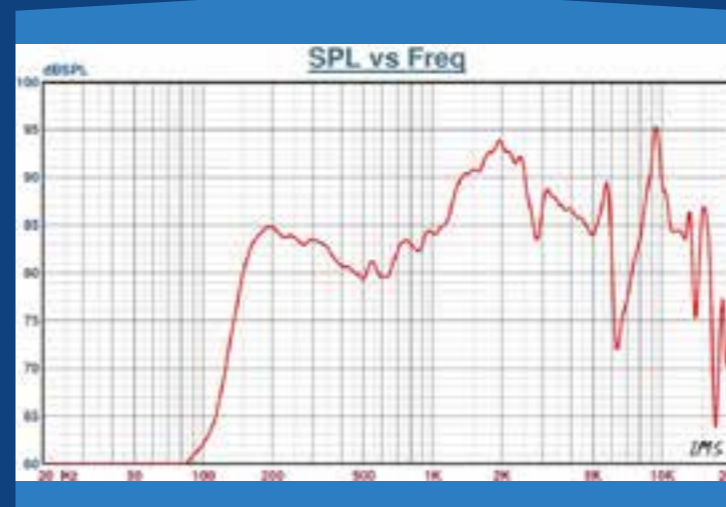
- * Impedance
- * Custom made transformer
- * Fuse
- * Capacitor
- * Cable/Cable gland
- * Terminal

Watt:

- * 50W



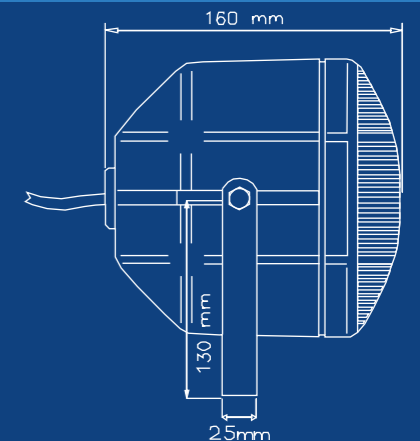
PS-6 (T)



Material/Colour: Polyamide/RAL 7035
Mounting: By cable as pendant/Bracket/Swivel
Termination: Cable, 2m
Weight: 1,2 kg
IP Rating: 56
Max/Min Amb. Temperature: 120°C/-40°C
Rated/Max Power: 6W/15W
SPL 1W/1M: 85 dB
SPL Rated Power: 93 dB
Effective Freq. Range: 125 - 18000 Hz
Dispersion (-6dB) 1kHz/4kHz: 180°/80°

Applications:

- * Cruise Ships & Marine
- * Prisons
- * Railway & Metro
- * Saunas
- * Airports
- * Schools & Kindergardens
- * Offices & Shopping Centres
- * Hospitals & Pharmaceutical Industries



Certificates:



Options:

- * Colour
- * Transformer
- * Pre tapped options
- * Impedance
- * Cable
- * Cable gland
- * Fuse
- * Terminal
- * Capacitor

Watt:

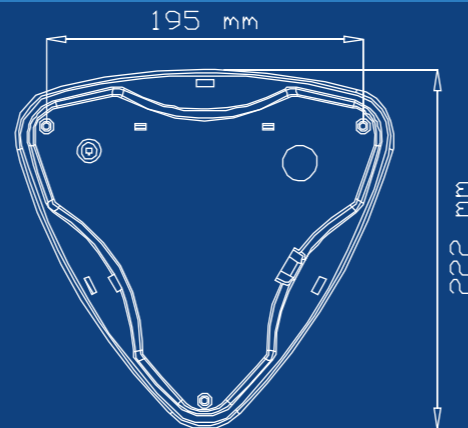
- * 6W
- * 3W
- * 1,5W
- * 1W
- * 0,5W
- * 0,3W



TRIC-6 (T)



Material/Colour: ABS/RAL 9010
 Mounting: 3 Screws
 Termination: Internal Screw Terminals
 Weight: 0,8 kg
 IP Rating: -
 Max/Min Amb. Temperature: 90°C/-20°C
 Rated/Max Power: 6W/10W
 SPL 1W/1M: 88 dB
 SPL Rated Power: 96 dB
 Effective Freq. Range: 150 - 18000 Hz
 Dispersion (-6dB) 1kHz/4kHz: 150°/87°



Applications:

- * Cruise Ships & Marine
- * Prisons
- * Railway & Metro
- * Saunas
- * Airports
- * Schools & Kindergardens
- * Offices & Shopping Centres
- * Hospitals & Pharmaceutical Industries

Certificates:



Options:

- * Colour
- * Transformer
- * Pre tapped options
- * Impedance
- * Cable
- * Cable gland
- * Fuse
- * Terminal
- * Capacitor

Watt:

- * 6W
- * 3W
- * 1,5W
- * 0,5W

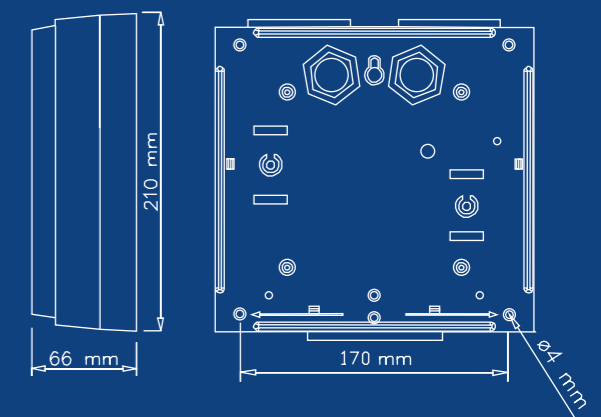


B-406 (T) A+B

Two elements and two transformers in one housing.



Material/Colour: ABS/Light Grey
 Mounting: Screws & Keyhole
 Termination: Spring Clamps
 Weight: 1,25 kg
 IP Rating: -
 Max/Min Amb. Temperature: 90°C/-20°C
 Rated/Max Power: 6W/2x6W
 SPL 1W/1M: 93 dB
 SPL Rated Power: 100 dB
 Effective Freq. Range: 240 - 15000 Hz
 Dispersion (-6dB) 1kHz/4kHz: 120°/76°



Applications:

- * Cruise Ships & Marine
- * Prisons
- * Railway & Metro
- * Saunas
- * Airports
- * Schools & Kindergardens
- * Offices & Shopping Centres
- * Hospitals & Pharmaceutical Industries

Options:

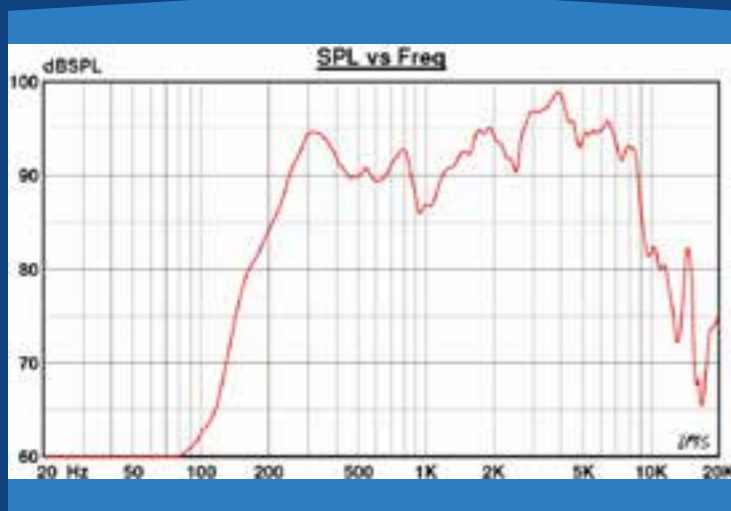
- * Colour
- * Transformer
- * Pre tapped options
- * Impedance
- * Cable
- * Cable gland
- * Fuse
- * Terminal
- * Capacitor

Watt:

- * 6W
- * 3W
- * 1,5W
- * 0,5W



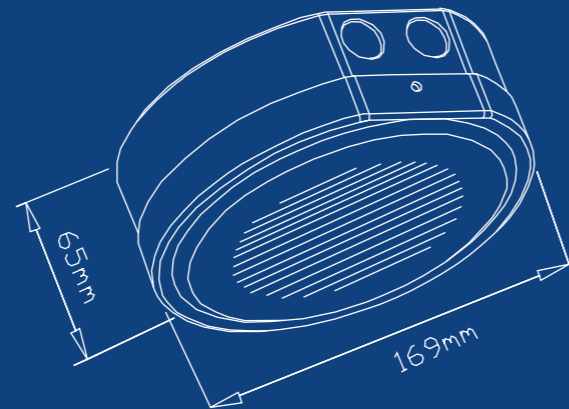
SAFE-561 (T)



Material/Colour: Steel/RAL 9010
Mounting: 4 Screws
Termination: Ceramic Terminal
Weight: 1,2 kg
IP Rating: 30
Max/Min Amb. Temperature: 110°C/-20°C
Rated/Max Power: 6W/10W
SPL 1W/1M: 90 dB
SPL Rated Power: 97 dB
Effective Freq. Range: 180 - 13000 Hz
Dispersion (-6dB) 1kHz/4kHz: 187°/77°

Applications:

- * Public Address
- * Airports
- * Railway & Metro
- * Hallways & Corridors
- * Government & Military
- * Hospitals
- * Churches & Mosques
- * Hotels & Restaurants
- * Industries
- * Shopping Centres



Certificates:



Options:

- * Colour
- * Impedance
- * Custom made transformer
- * IP Protection
- * Fuse
- * Capacitor
- * Cable gland and knock outs

Watt:

- * 6W
- * 12W
- * 8W
- * 1W



C E I L I N G



The DNH ceiling series has over 20 different ceiling speakers.

The speakers have a variety of clever and easy ways to mount the speaker, come in different heights and sizes and can be delivered with or without a dust box. They are highly versatile and can be used for both music, public address and alarm.

The boxes are made of V0 material and are of course Halogen free.



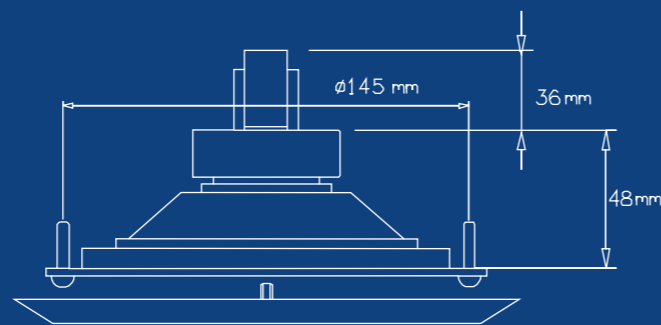
BS-560 (T)



Material/Colour: Aluminum/RAL 9010
 Mounting: 2 Screws
 Termination: Spring Clamps
 Weight: 0,66 kg
 IP Rating: -
 Max/Min Amb. Temperature: 90°C/-20°C
 Rated/Max Power: 6W/15W
 SPL 1W/1M: 90 dB
 SPL Rated Power: 97 dB
 Effective Freq. Range: 130 - 20000 Hz
 Dispersion (-6dB) 1kHz/4kHz: 170°/60°

Applications:

- * Marine
- * Airports
- * Railway & Trains
- * Public Address
- * Hotels & Restaurants
- * Retail & Shopping Centres
- * Schools & Hospitals



Certificates:



Options:

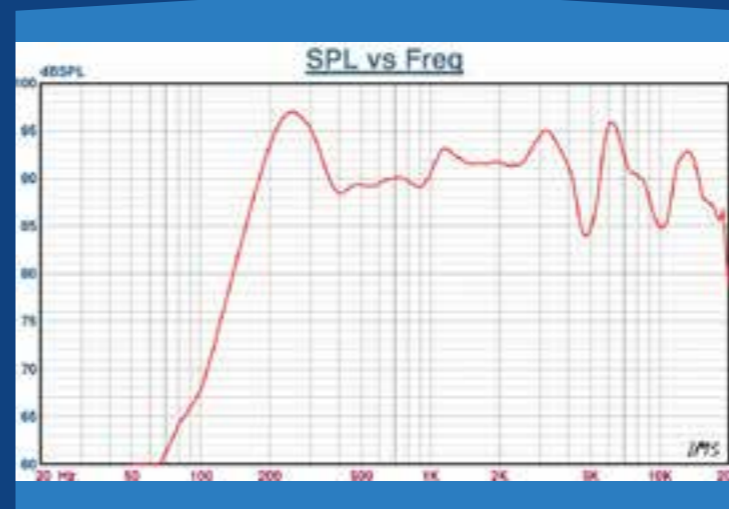
- * Colour
- * Impedance
- * Custom made transformer
- * Fuse
- * Capacitor
- * Cable/Cable gland
- * Terminal
- * Fire rated front
- * Back boxes

Watt:

- * 10W
- * 6W
- * 3W
- * 1,5W



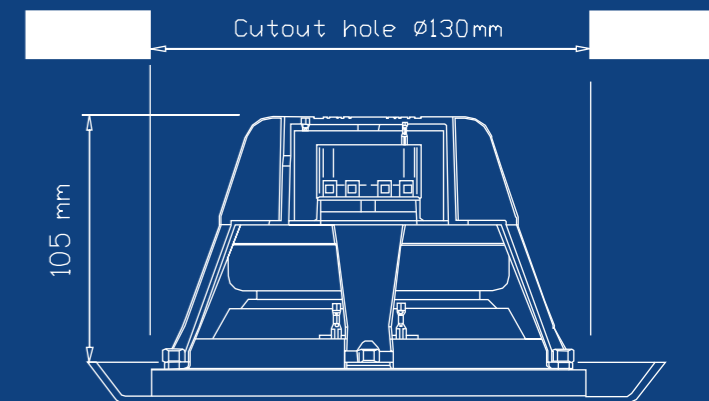
B-560 (T)



Material/Colour: PA V0/Aluminum/RAL 9010
 Mounting: 3 Screws
 Termination: Spring Clamps
 Weight: 0,63 kg
 IP Rating: -
 Max/Min Amb. Temperature: 90°C/-20°C
 Rated/Max Power: 6W/15W
 SPL 1W/1M: 90 dB
 SPL Rated Power: 97 dB
 Effective Freq. Range: 130 - 20000 Hz
 Dispersion (-6dB) 1kHz/4kHz: 170°/60°

Applications:

- * Marine
- * Airports
- * Railway & Trains
- * Public Address
- * Hotels & Restaurants
- * Retail & Shopping Centres
- * Schools & Hospitals



Certificates:



Options:

- * Colour
- * Impedance
- * Custom made transformer
- * Fuse
- * Capacitor
- * Cable/Cable gland
- * Terminal
- * Fire rated front
- * Back boxes

Watt:

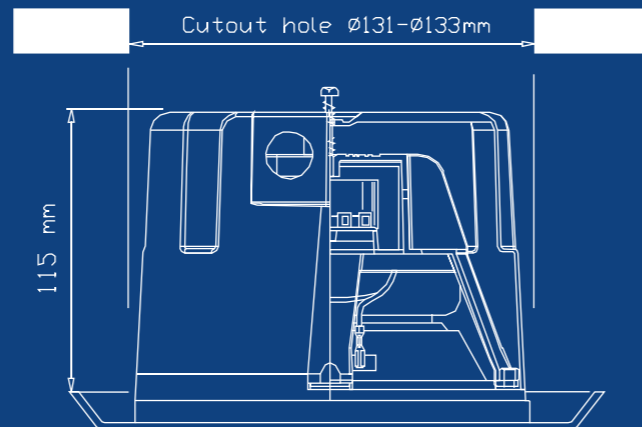
- * 10W
- * 6W
- * 3W
- * 1,5W



BF-560 (T)



Material/Colour: Aluminum Front/RAL 9010/Box PA-6 V0
 Mounting: 3 Screws
 Termination: Spring Clamps
 Weight: 0,73 kg
 IP Rating: 22
 Max/Min Amb. Temperature: 90°C/-20°C
 Rated/Max Power: 6W/15W
 SPL 1W/1M: 90 dB
 SPL Rated Power: 97 dB
 Effective Freq. Range: 200 - 15000 Hz
 Dispersion (-6dB) 1kHz/4kHz: 170°/60°



Applications:

- * Marine
- * Airports
- * Railway & Trains
- * Public Address
- * Hotels & Restaurants
- * Retail & Shopping Centres
- * Schools & Hospitals

Certificates:



Options:

- * Colour
- * Impedance
- * Custom made transformer
- * Fuse
- * Capacitor
- * Cable/Cable gland
- * Terminal
- * Fire rated front
- * Back boxes

Watt:

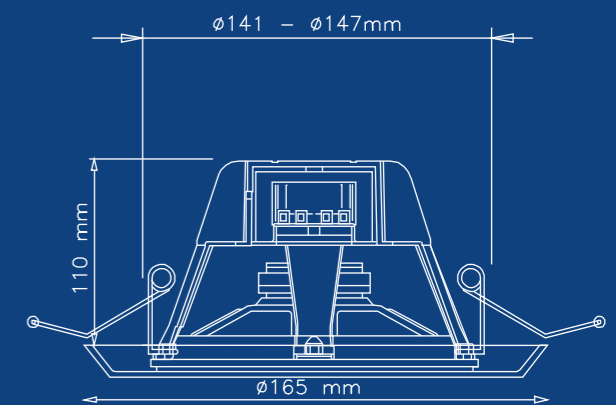
- * 10W
- * 6W
- * 3W
- * 1,5W



BK-560 (T)



Material/Colour: PA V0/Aluminum/RAL 9010
 Mounting: Springs
 Termination: Spring Clamps
 Weight: 0,6 kg
 IP Rating: 54
 Max/Min Amb. Temperature: 90°C/-20°C
 Rated/Max Power: 6W/15W
 SPL 1W/1M: 90 dB
 SPL Rated Power: 97 dB
 Effective Freq. Range: 130 - 15000 Hz
 Dispersion (-6dB) 1kHz/4kHz: 170°/60°



Applications:

- * Shopping Centers
- * Marine & Cruise Ships
- * Offices
- * Talkback
- * Public Address
- * Airports
- * Hotels

Certificates:



Options:

- * Colour
- * Transformer
- * Impedance
- * Pre tapped options
- * Cable
- * Cable gland
- * Fuse

Watt:

- * 6W



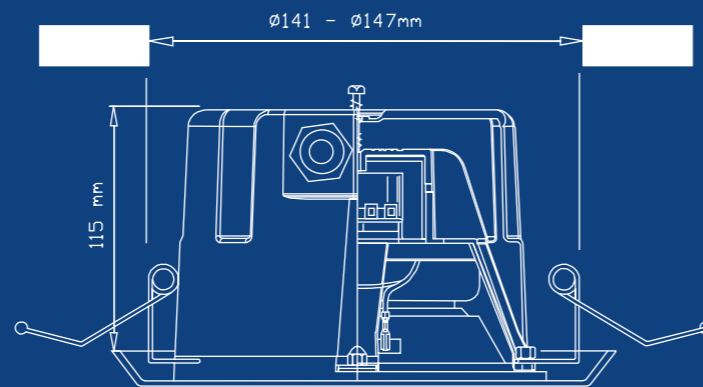
BKF-560 (T)



Material/Colour: Aluminum/RAL 9010
 Mounting: Springs
 Termination: Spring Clamps
 Weight: 0,74 kg
 IP Rating: -
 Max/Min Amb. Temperature: 90°C/-20°C
 Rated/Max Power: 6W/15W
 SPL 1W/1M: 90 dB
 SPL Rated Power: 97 dB
 Effective Freq. Range: 200 - 15000 Hz
 Dispersion (-6dB) 1kHz/4kHz: 170°/60°

Applications:

- * Marine
- * Airports
- * Railway & Trains
- * Public Address
- * Hotels & Restaurants
- * Retail & Shopping Centres
- * Schools & Hospitals



Certificates:



Options:

- * Colour
- * Impedance
- * Custom made transformer
- * Fuse
- * Capacitor
- * Cable/Cable gland
- * Terminal
- * Fire rated front
- * Back boxes

Watt:

- * 10W
- * 6W
- * 3W
- * 1,5W



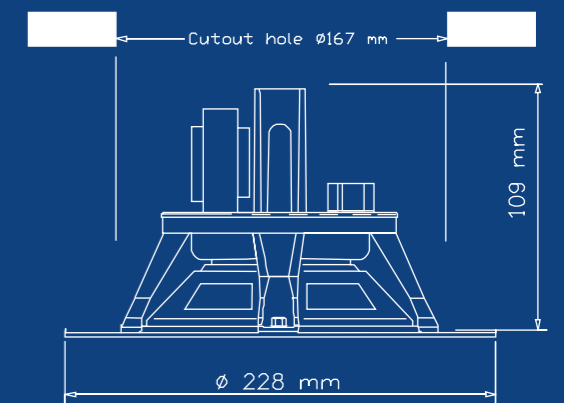
B-620 (T)



Material/Colour: PA V0/Aluminum/RAL 9010
 Mounting: 4 Screws
 Termination: Spring Clamps
 Weight: 0,87 kg
 IP Rating: -
 Max/Min Amb. Temperature: 90°C/-20°C
 Rated/Max Power: 6W/15W
 SPL 1W/1M: 92 dB
 SPL Rated Power: 99 dB
 Effective Freq. Range: 90 - 20000 Hz
 Dispersion (-6dB) 1kHz/4kHz: 130°/60°

Applications:

- * Marine
- * Airports
- * Railway & Trains
- * Public Address
- * Hotels & Restaurants
- * Retail & Shopping Centres
- * Schools & Hospitals



Certificates:



Options:

- * Colour
- * Impedance
- * Custom made transformer
- * Fuse
- * Capacitor
- * Cable/Cable gland
- * Terminal
- * Fire rated front
- * Back boxes

Watt:

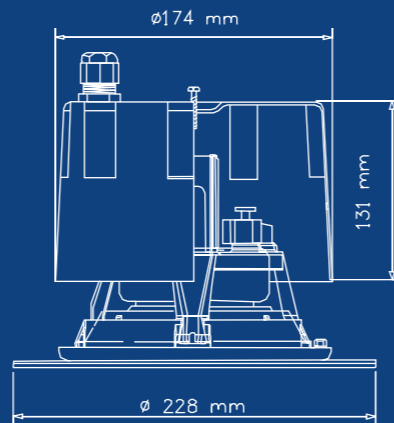
- * 10W
- * 6W
- * 3W
- * 1,5W



BF-620 (T)



Material/Colour: Aluminum front/RAL 9010/Box PA-6 V0
 Mounting: 4 Screws
 Termination: Spring Clamps
 Weight: 1,2 kg
 IP Rating: 42
 Max/Min Amb. Temperature: 90°C/-20°C
 Rated/Max Power: 6W/15W
 SPL 1W/1M: 92 dB
 SPL Rated Power: 99 dB
 Effective Freq. Range: 140 - 20000 Hz
 Dispersion (-6dB) 1kHz/4kHz: 130°/60°



Applications:

- * Marine
- * Airports
- * Railway & Trains
- * Public Address
- * Hotels & Restaurants
- * Retail & Shopping Centres
- * Schools & Hospitals

Certificates:



Options:

- * Colour
- * Impedance
- * Custom made transformer
- * Fuse
- * Capacitor
- * Cable/Cable gland
- * Terminal
- * Fire rated front
- * Back boxes

Watt:

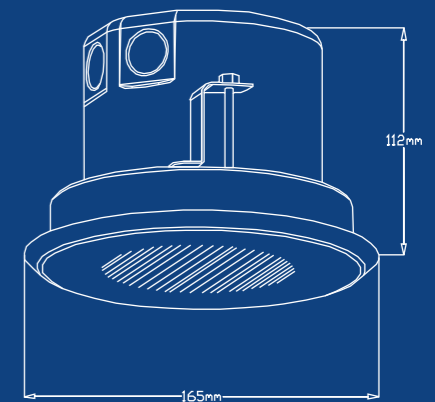
- * 10W
- * 6W
- * 3W
- * 1,5W



VES-561 (T)



Material/Colour: Steel/RAL 9010
 Mounting: 3 Screws
 Termination: Ceramic Terminals
 Weight: 1,1 kg
 IP Rating: 22
 Max/Min Amb. Temperature: 110°C/-20°C
 Rated/Max Power: 6W/8W
 SPL 1W/1M: 90 dB
 SPL Rated Power: 97 dB
 Effective Freq. Range: 130 - 15000 Hz
 Dispersion (-6dB) 1kHz/4kHz: 160°/60°



Applications:

- * Public Address
- * Airports
- * Railway Stations
- * Cruise Ships
- * Schools & Kindergardens
- * Hospitals
- * Churches & Mosques
- * Hotels & Restaurants
- * Industries
- * Shopping Centres

Certificates:



Options:

- * Colour
- * Impedance
- * Custom made transformer
- * Brackets
- * Fuse
- * Capacitor
- * Cable gland and knock outs

Watt:

- * 6W
- * 12W
- * 8W
- * 1W



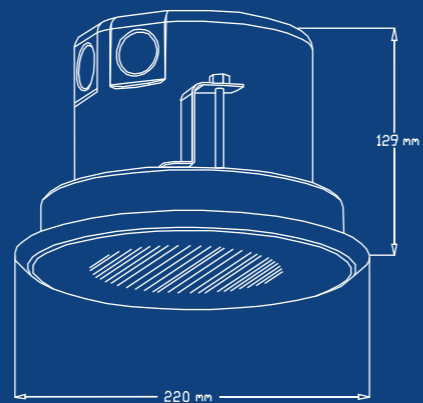
VES-661 (T)



Material/Colour: Steel/White RAL 9010
 Mounting: 3 Screws
 Termination: Ceramic Terminal
 Weight: 1,9 kg
 IP Rating: -
 Max/Min Amb. Temperature: 110°C/-20°C
 Rated/Max Power: 6W/10W
 SPL 1W/1M: 92 dB
 SPL Rated Power: 98 dB
 Effective Freq. Range: 130 - 20000 Hz
 Dispersion (-6dB) 1kHz/4kHz: 160°/55°

Applications:

- * Public Address
- * Airports
- * Railway Stations
- * Cruise Ships
- * Schools & Kindergardens
- * Hospitals
- * Churches & Mosques
- * Hotels & Restaurants
- * Industries
- * Shopping Centres



Certificates:



Options:

- * Colour
- * Impedance
- * Custom made transformer
- * Brackets
- * Fuse
- * Capacitor
- * Cable gland and knock outs

Watt:

- * 6W
- * 12W
- * 8W
- * 1W



VES-661 (T) A+B

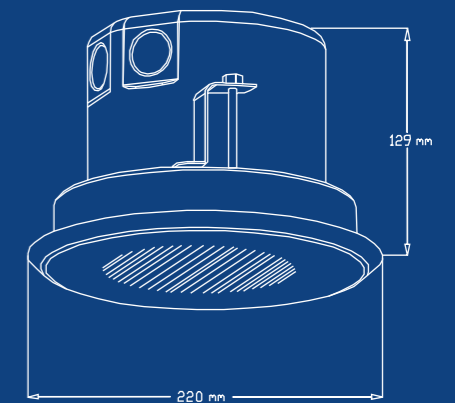
Two elements and two transformers in one housing.



Material/Colour: Steel/White RAL 9010
 Mounting: 3 Screws
 Termination: Ceramic Terminal
 Weight: 2,0 kg
 IP Rating: -
 Max/Min Amb. Temperature: 110°C/-20°C
 Rated/Max Power: 6W/2x6W
 SPL 1W/1M: 93 dB
 SPL Rated Power: 99 dB
 Effective Freq. Range: 240 - 13000 Hz
 Dispersion (-6dB) 1kHz/4kHz: -

Applications:

- * Public Address
- * Airports
- * Railway Stations
- * Cruise Ships
- * Schools & Kindergardens
- * Hospitals
- * Churches & Mosques
- * Hotels & Restaurants
- * Industries
- * Shopping Centres



Options:

- * Colour
- * Impedance
- * Custom made transformer
- * Brackets
- * Fuse
- * Capacitor
- * Cable gland and knock outs

Watt:

- * 6W
- * 12W
- * 8W
- * 1W

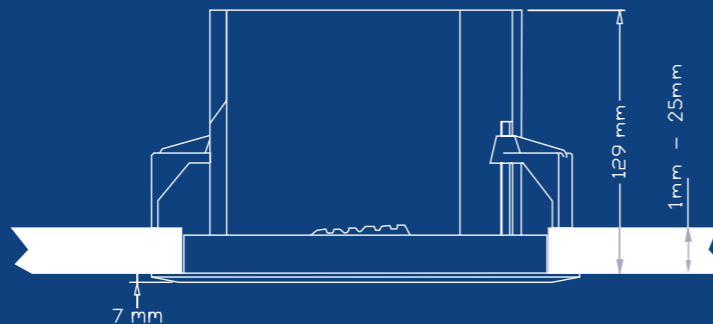


B-650 (T)



Material/Colour: ABS Grille, Polystyrene Box/White
 Mounting: 3 Screws
 Termination: Spring Clamps
 Weight: 1,1 kg
 IP Rating: 42
 Max/Min Amb. Temperature: 90°C/-20°C
 Rated/Max Power: 6W/15W
 SPL 1W/1M: 90 dB
 SPL Rated Power: 97 dB
 Effective Freq. Range: 120 - 18000 Hz
 Dispersion (-6dB) 1kHz/4kHz: 130°/50°

Rec. ceiling hole: \varnothing 182mm - 187 mm



Applications:

- * Public Address
- * Retail Stores & Shopping Centres
- * Airports & Railway Stations
- * Schools & Kindergardens
- * Churches & Mosques
- * Hotels & Restaurants
- * Factories & Industrial Parks
- * Hospitals
- * Accomodations

Certificates:



Options:

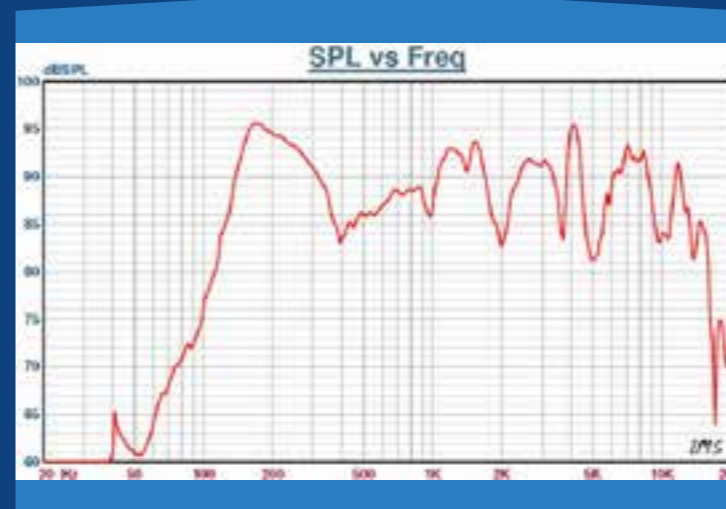
- * Colour
- * Impedance
- * Custom made transformer
- * Fuse
- * Capacitor
- * Cable gland
- * Terminal
- * IP version
- * Clean room version

Watt:

- * 6W



BP-560 (T)



Material/Colour: PA/ABS/RAL 9010
 Mounting: Hooks
 Termination: Spring Clamps
 Weight: 0,73 kg
 IP Rating: -
 Max/Min Amb. Temperature: 90°C/-20°C
 Rated/Max Power: 6W/10W
 SPL 1W/1M: 90 dB
 SPL Rated Power: 97 dB
 Effective Freq. Range: 120 - 20000 Hz
 Dispersion (-6dB) 1kHz/4kHz: -

Applications:

- * Public Address
- * Retail Stores & Shopping Centres
- * Airports & Railway Stations
- * Schools & Kindergardens
- * Churches & Mosques
- * Hotels & Restaurants
- * Factories & Industrial Parks
- * Hospitals
- * Accomodations

Certificates:

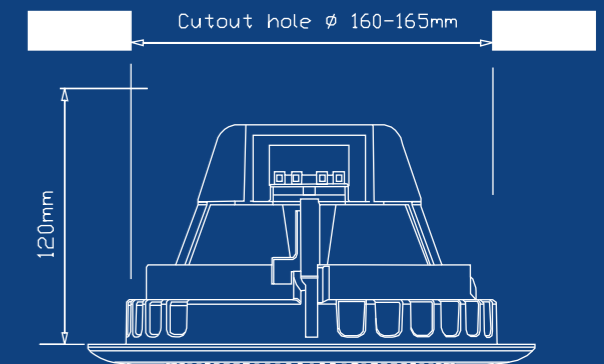


Options:

- * Colour
- * Impedance
- * Custom made transformer
- * Fuse
- * Capacitor
- * Cable gland
- * Terminal
- * IP version
- * Clean room version

Watt:

- * 6W





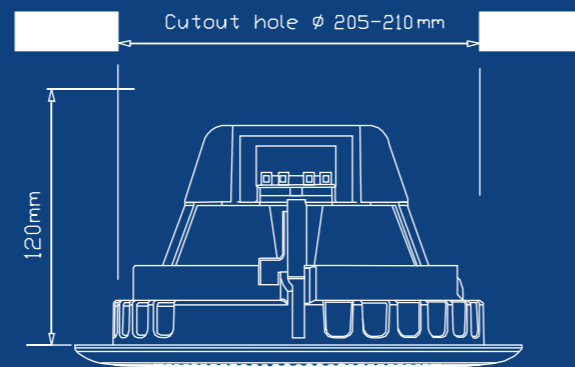
BP-660 (T)



Material/Colour: PA/ABS/RAL 9010
 Mounting: Hooks
 Termination: Spring Clamps
 Weight: 1,1 kg
 IP Rating: -
 Max/Min Amb. Temperature: 90°C/-20°C
 Rated/Max Power: 6W/20W
 SPL 1W/1M: 93 dB
 SPL Rated Power: 100 dB
 Effective Freq. Range: 100 - 20000 Hz
 Dispersion (-6dB) 1kHz/4kHz: -

Applications:

- * Public Address
- * Retail Stores & Shopping Centres
- * Airports & Railway Stations
- * Schools & Kindergardens
- * Churches & Mosques
- * Hotels & Restaurants
- * Factories & Industrial Parks
- * Hospitals
- * Accomodations



Certificates:



Options:

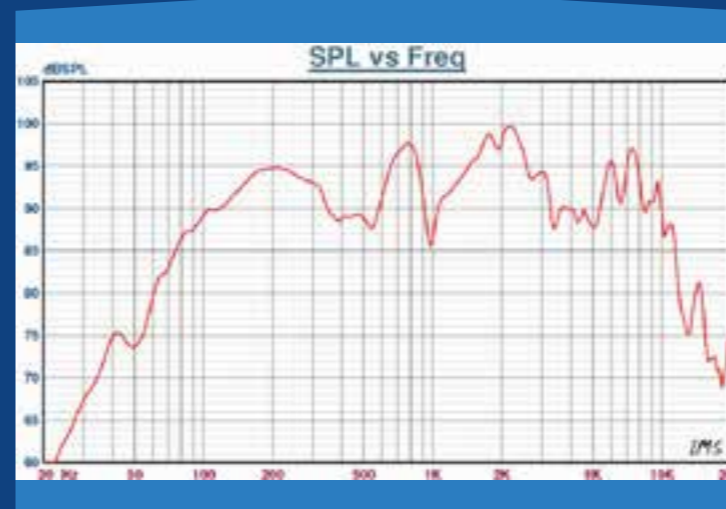
- * Colour
- * Impedance
- * Custom made transformer
- * Fuse
- * Capacitor
- * Cable gland
- * Terminal
- * IP version
- * Clean room version

Watt:

- * 6W



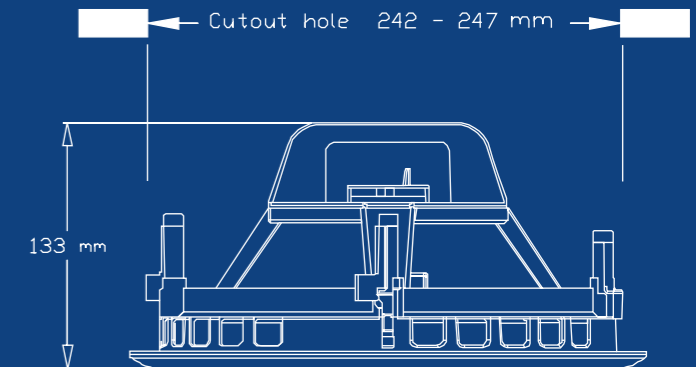
BP-860 (T)



Material/Colour: PA/ABS/RAL 9010
 Mounting: Hooks
 Termination: Spring Clamps
 Weight: 1,2 kg
 IP Rating: -
 Max/Min Amb. Temperature: 90°C/-20°C
 Rated/Max Power: 6W/20W
 SPL 1W/1M: 93 dB
 SPL Rated Power: 100 dB
 Effective Freq. Range: 60 - 15000 Hz
 Dispersion (-6dB) 1kHz/4kHz: -

Applications:

- * Public Address
- * Retail Stores & Shopping Centres
- * Airports & Railway Stations
- * Schools & Kindergardens
- * Churches & Mosques
- * Hotels & Restaurants
- * Factories & Industrial Parks
- * Hospitals
- * Accomodations



Certificates:



Options:

- * Colour
- * Impedance
- * Custom made transformer
- * Fuse
- * Capacitor
- * Cable gland
- * Terminal
- * IP version
- * Clean room version

Watt:

- * 6W



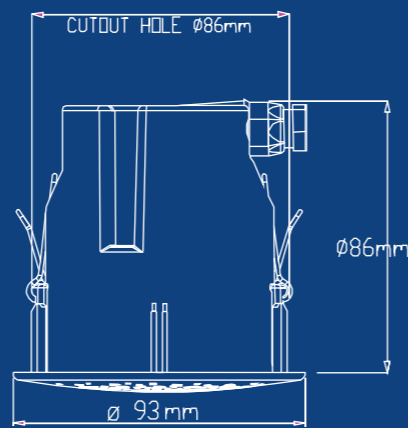
BPF-260 (T)



Material/Colour: PC/ABS/RAL 9010
Mounting: Springs
Termination: Spring Clamps
Weight: 0,3 kg
IP Rating: 54
Max/Min Amb. Temperature: 90°C/-30°C
Rated/Max Power: 6W/6W
SPL 1W/1M: 90 dB
SPL Rated Power: 97 dB
Effective Freq. Range: 250 - 20000 Hz
Dispersion (-6dB) 1kHz/4kHz: -

Applications:

- * Bathrooms
- * Retail Stores & Shopping Centres
- * Airports
- * Schools & Kindergardens
- * Hotels & Restaurants
- * Hospitals
- * Accomodations



Options:

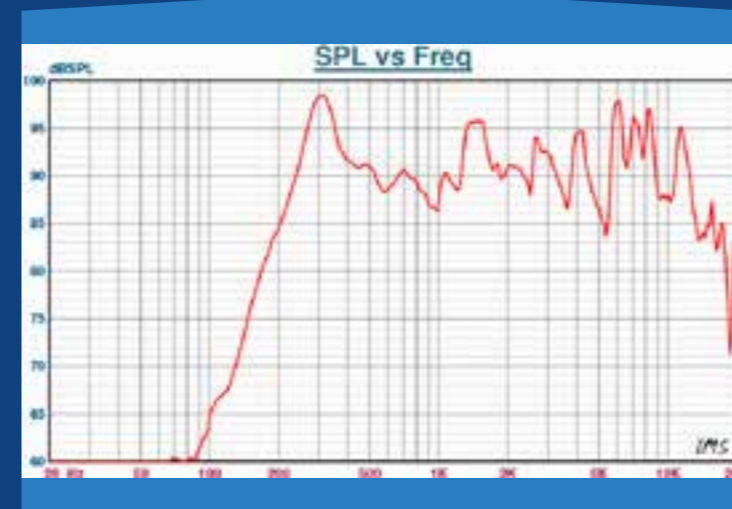
- * Colour
- * Cable type

Watt:

- * 6W



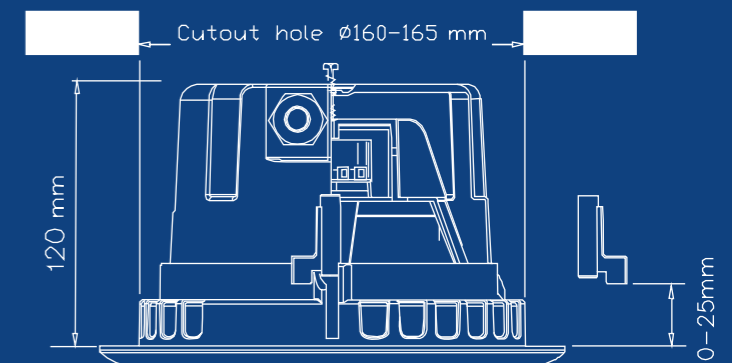
BPF-560 (T)



Material/Colour: PA-6 V0/ABS/RAL 9010
Mounting: Hooks
Termination: Spring Clamps
Weight: 0,9 kg
IP Rating: 54
Max/Min Amb. Temperature: 90°C/-20°C
Rated/Max Power: 6W/10W
SPL 1W/1M: 90 dB
SPL Rated Power: 97 dB
Effective Freq. Range: 190 - 20000 Hz
Dispersion (-6dB) 1kHz/4kHz: 200°/62°

Applications:

- * Marine & Cruise Ships
- * Offices
- * Talkback
- * Public Address
- * Airports
- * Hotels



Certificates:



Options:

- * Colour
- * Watt
- * Transformer
- * Pre tapped options
- * Impedance
- * Cable
- * Fuse
- * Terminal
- * Volume control

Watt:

- * 12W
- * 10W
- * 6W



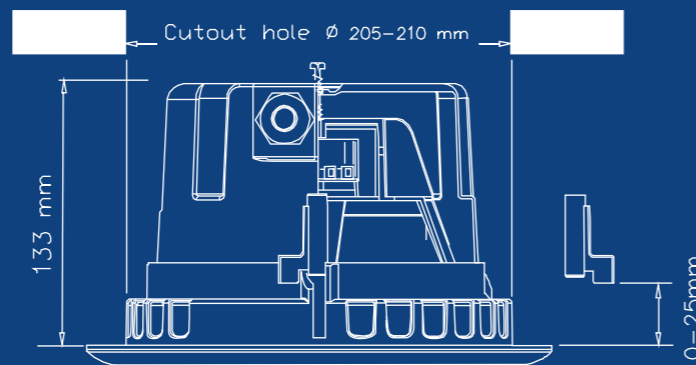
BPF-660 (T)



Material/Colour: PA-6 V0/ABS/RAL 9010
 Mounting: Hooks
 Termination: Spring Clamps
 Weight: 1,3 kg
 IP Rating: 54
 Max/Min Amb. Temperature: 90°C/-20°C
 Rated/Max Power: 6W/20W
 SPL 1W/1M: 93 dB
 SPL Rated Power: 100 dB
 Effective Freq. Range: 170 - 20000 Hz
 Dispersion (-6dB) 1kHz/4kHz: -

Applications:

- * Marine & Cruise Ships
- * Offices
- * Talkback
- * Public Address
- * Airports
- * Hotels



Certificates:



Options:

- * Colour
- * Watt
- * Transformer
- * Pre tapped options
- * Impedance
- * Cable
- * Fuse
- * Terminal
- * Volume control

Watt:

- * 12W
- * 10W
- * 6W



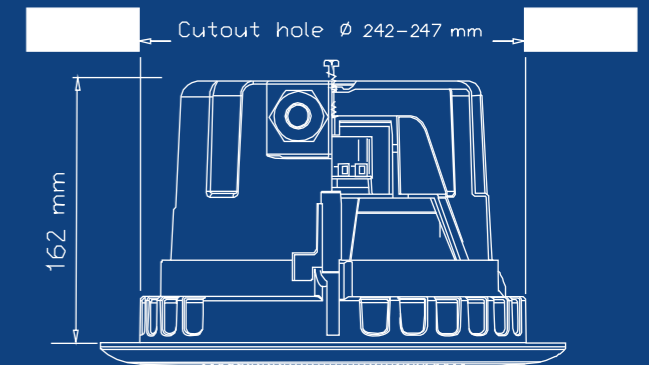
BPF-860 (T)



Material/Colour: PA-6 V0/ABS/RAL 9010
 Mounting: Hooks
 Termination: Spring Clamps
 Weight: 1,5 kg
 IP Rating: -
 Max/Min Amb. Temperature: 90°C/-20°C
 Rated/Max Power: 6W/20W
 SPL 1W/1M: 93 dB
 SPL Rated Power: 100 dB
 Effective Freq. Range: 150 - 20000 Hz
 Dispersion (-6dB) 1kHz/4kHz: -

Applications:

- * Public Address
- * Retail Stores & Shopping Centres
- * Airports & Railway Stations
- * Schools & Kindergardens
- * Churches & Mosques
- * Hotels & Restaurants
- * Factories & Industrial Parks
- * Hospitals
- * Accomodations



Certificates:

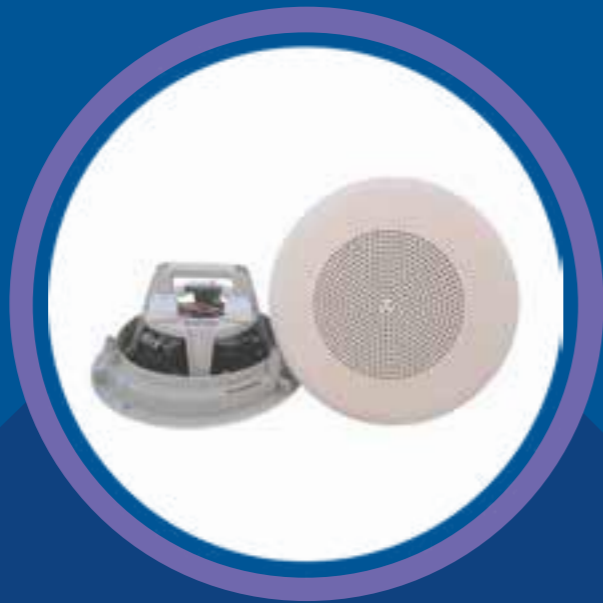


Options:

- * Colour
- * Impedance
- * Custom made transformer
- * Fuse
- * Capacitor
- * Cable gland
- * Terminal
- * IP version
- * Clean room version

Watt:

- * 6W



BP-660 (T) A+B



Material/Colour: PA/ABS/RAL9010
 Mounting: Hooks
 Termination: Spring Clamps
 Weight: 1,1 kg
 IP Rating: -
 Max/Min Amb. Temperature: 90°C/-20°C
 Rated/Max Power: 6W/2x6W
 SPL 1W/1M: 93 dB
 SPL Rated Power: 99 dB
 Effective Freq. Range: 240 - 13000 Hz
 Dispersion (-6dB) 1kHz/4kHz: -

Applications:

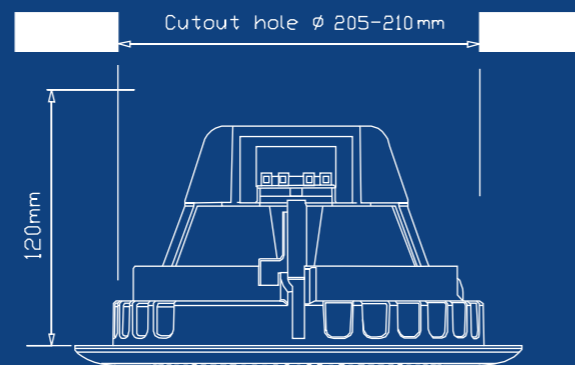
- * Public Address
- * Retail Stores & Shopping Centres
- * Airports & Railway Stations
- * Schools & Kindergardens
- * Churches & Mosques
- * Hotels & Restaurants
- * Factories & Industrial Parks
- * Hospitals
- * Accomodations

Options:

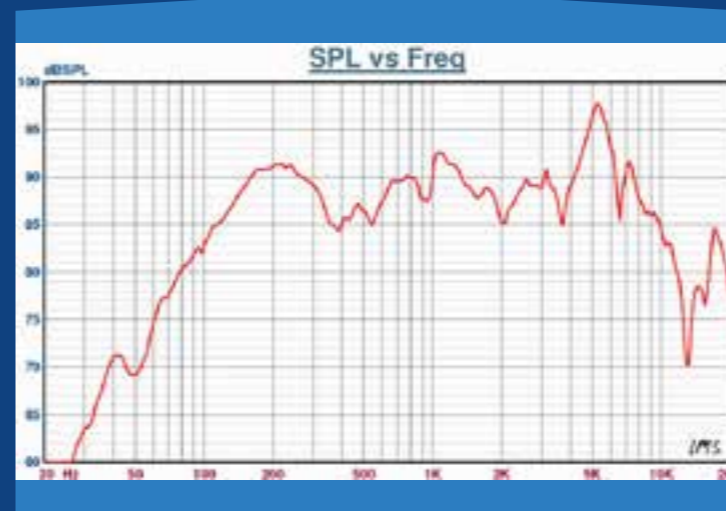
- * Colour
- * Impedance
- * Custom made transformer
- * Fuse
- * Capacitor
- * Cable gland
- * Terminal
- * IP version
- * Clean room version

Watt:

* 6W



PROB-560 (T)



Material/Colour: Aluminum/RAL 9010
 Mounting: 3 Screws
 Termination: Spring Clamps
 Weight: 1,5 kg
 IP Rating: -
 Max/Min Amb. Temperature: 90°C/-20°C
 Rated/Max Power: 30W/50W
 SPL 1W/1M: 88 dB
 SPL Rated Power: 103 dB
 Effective Freq. Range: 60 - 20000 Hz
 Dispersion (-6dB) 1kHz/4kHz: 170°/60°

Applications:

- * Public Address
- * Retail Stores & Shopping Centres
- * Airports & Railway Stations
- * Schools & Kindergardens
- * Churches & Mosques
- * Hotels & Restaurants
- * Hospitals
- * Accomodations

Certificates:

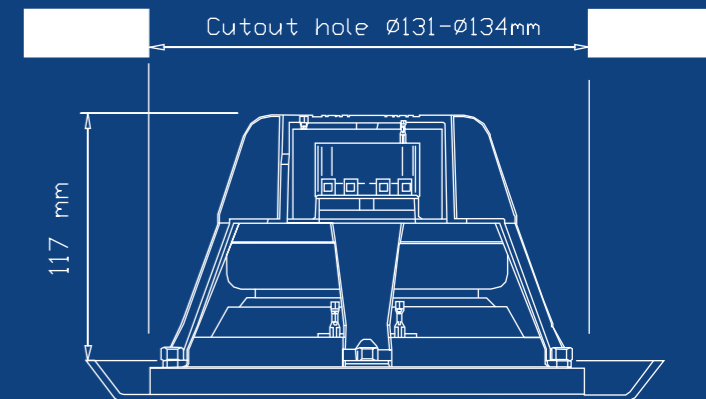


Options:

- * Box
- * Impedance
- * Custom made transformer
- * Fuse
- * Capacitor
- * Cable gland
- * Terminal
- * IP version
- * Clean room version

Watt:

* 30W



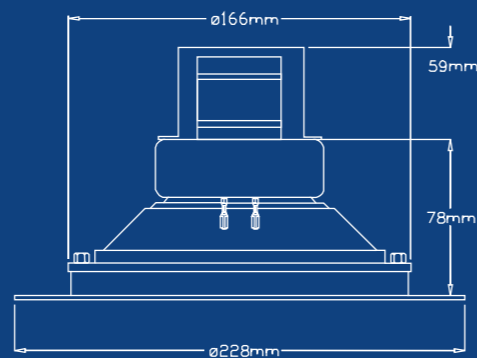


PROB-620 (T)



Material/Colour: Aluminum/RAL 9010
 Mounting: 4 Screws
 Termination: Spring Clamp
 Weight: 1,7 kg
 IP Rating: -
 Max/Min Amb. Temperature: 90°C/-20°C
 Rated/Max Power: 30W/50W
 SPL 1W/1M: 90 dB
 SPL Rated Power: 105 dB
 Effective Freq. Range: 60 - 20000 Hz
 Dispersion (-6dB) 1kHz/4kHz: 130°/50°

Rec. ceiling hole: ø 170mm



Applications:

- * Public Address
- * Retail Stores & Shopping Centres
- * Airports & Railway Stations
- * Schools & Kindergardens
- * Churches & Mosques
- * Hotels & Restaurants
- * Hospitals
- * Accomodations

Certificates:



Options:

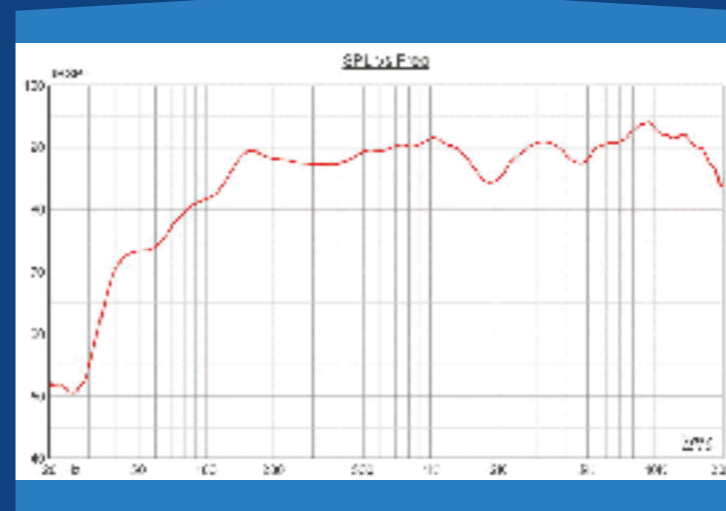
- * Box
- * Impedance
- * Custom made transformer
- * Fuse
- * Capacitor
- * Cable gland
- * Terminal
- * IP version
- * Clean room version

Watt:

- * 30W



BMD-60 (T)



Material/Colour: ABS/Black or White
 Mounting: 4 Clamps
 Termination: Screw Terminal
 Weight: 3,8 kg
 IP Rating: 44
 Max/Min Amb. Temperature: 90°C/-40°C
 Rated/Max Power: 60W/100W
 SPL 1W/1M: 90 dB
 SPL Rated Power: 109 dB
 Effective Freq. Range: 45 - 20000 Hz
 Dispersion (-6dB) 1kHz/4kHz: 120°/60°

Applications:

- * Public Address
- * Retail Stores & Shopping Centres
- * Airports & Railway Stations
- * Schools & Kindergardens
- * Churches & Mosques
- * Hotels & Restaurants
- * Hospitals
- * Accomodations

Certificates:

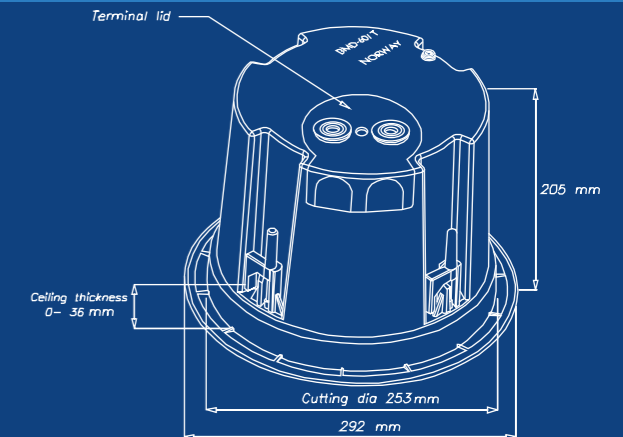


Options:

- * Colour
- * Impedance
- * Custom made transformer
- * Fuse
- * Capacitor
- * Cable gland
- * Terminal
- * IP version
- * Clean room version

Watt:

- * 60W





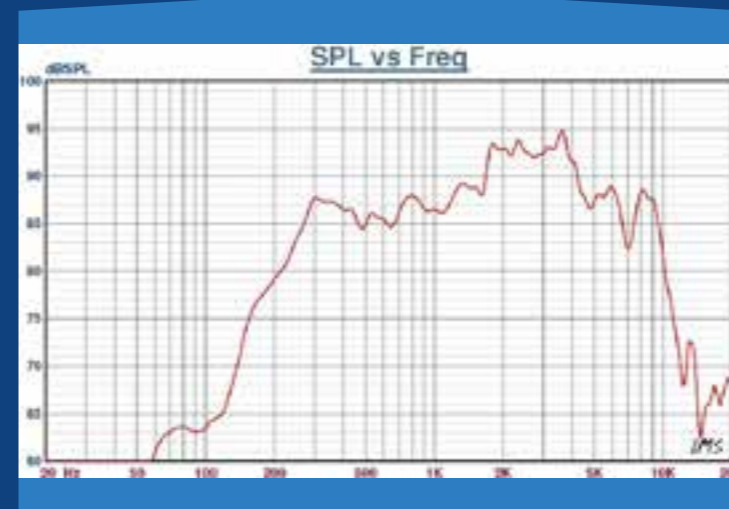
CLEAN ROOM



DNH clean room speakers are developed specifically to meet the demand for cleanliness in certain environments such as production facilities for micro-electronics, pharmaceutical industry, photo industry and laboratories.



BLC-550CR (T)



Material/Colour: ABS/RAL 9010
Mounting: Screws (max Ø5mm)
Termination: Spring Clamps
Weight: 1,1 kg
IP Rating: 54
Max/Min Amb. Temperature: 90°C/-20°C
Rated/Max Power: 6W/15W
SPL 1W/1M: 88 dB
SPL Rated Power: 95 dB
Effective Freq. Range: 140 - 12000 Hz
Dispersion (-6dB) 1kHz/4kHz: 160°/65°

Applications:

- * Hospitals
- * Pharmaceutical Industries
- * Chemical Industries
- * Factories
- * Laboratories



Certificates:



Options:

- * Colour
- * Transformer
- * Pre tapped options
- * Impedance
- * Cable
- * Cable gland
- * Fuse
- * Terminal
- * Capacitor

Watt:

- * 6W



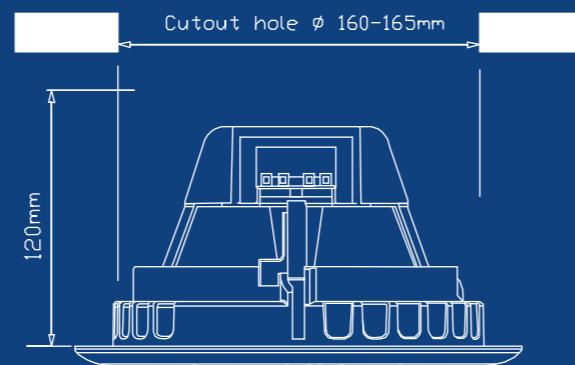
BP-560CR (T)



Material/Colour: PA/ABS/RAL9010
 Mounting: Hooks
 Termination: Spring Clamps
 Weight: 0,73 kg
 IP Rating: -
 Max/Min Amb. Temperature: 90°C/-20°C
 Rated/Max Power: 6W/10W
 SPL 1W/1M: 88 dB
 SPL Rated Power: 95 dB
 Effective Freq. Range: 70 - 12000 Hz
 Dispersion (-6dB) 1kHz/4kHz: 150°/70°

Applications:

- * Hospitals
- * Pharmaceutical Industries
- * Chemical Industries
- * Factories
- * Laboratories



Certificates:

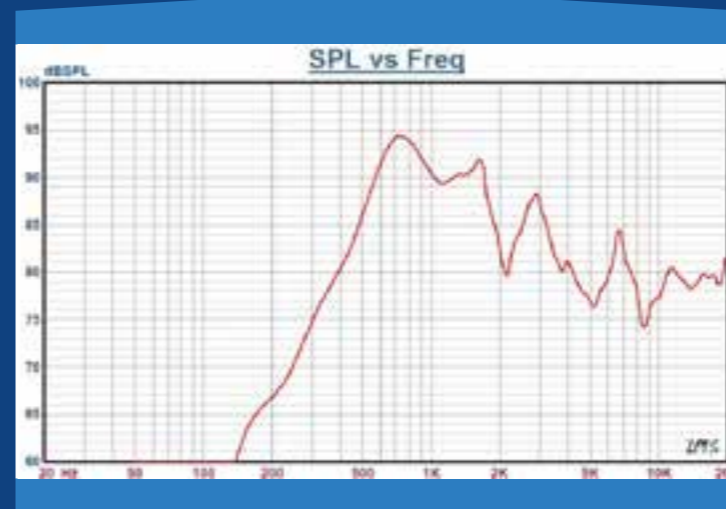


Options:

- * Colour
- * Transformer
- * Pre tapped options
- * Impedance
- * Cable
- * Cable gland
- * Fuse
- * Terminal
- * Capacitor

Watt:

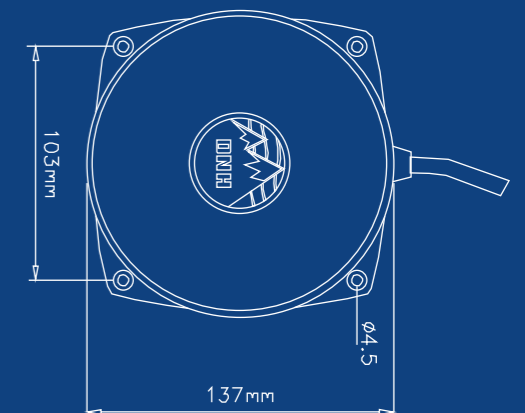
- * 6W



Material/Colour: PA/RAL 9010
 Mounting: Four screws or bracket
 Termination: Cable, 1m
 Weight: 2,2 kg
 IP Rating: 67
 Max/Min Amb. Temperature: 90°C/-20°C
 Rated/Max Power: 6W/30W
 SPL 1W/1M: 85 dB
 SPL Rated Power: 93 dB
 Effective Freq. Range: 280 - 20000 Hz
 Dispersion (-6dB) 1kHz/4kHz: 170°/150°

Applications:

- * Hospitals
- * Pharmaceutical Industries
- * Chemical Industries
- * Factories
- * Laboratories



Certificates:



Options:

- * Colour
- * Transformer
- * Pre tapped options
- * Impedance
- * Cable
- * Cable gland
- * Fuse
- * Terminal
- * Capacitor

Watt:

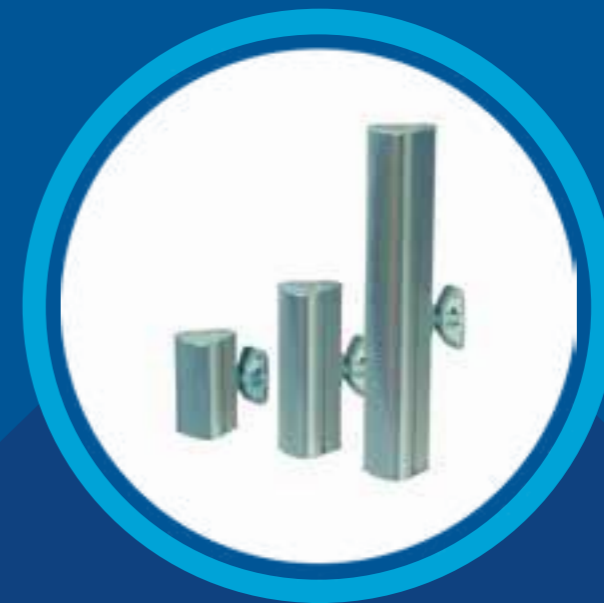
- * 6W



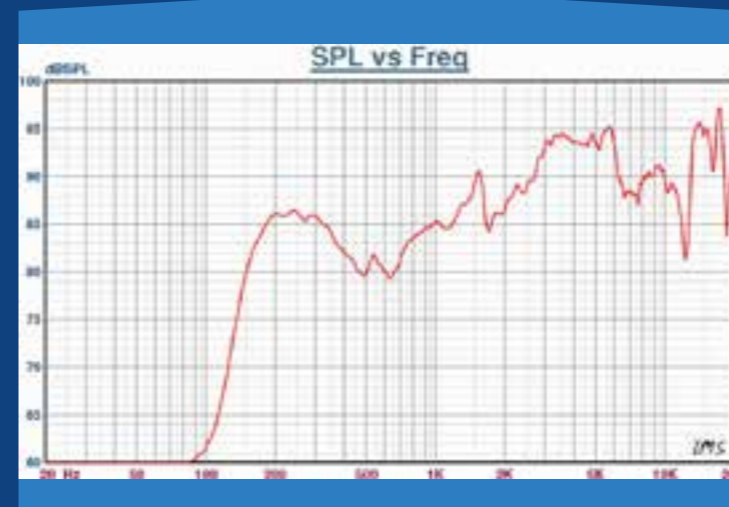
C O L U M N



Our column speakers combines great design, practical installation and prominent sound. Suitable for both indoor and outdoor use, the speaker is suitable for multiple applications such as public places, airports, churches, conference rooms, sport arenas, as well as industrial environments.



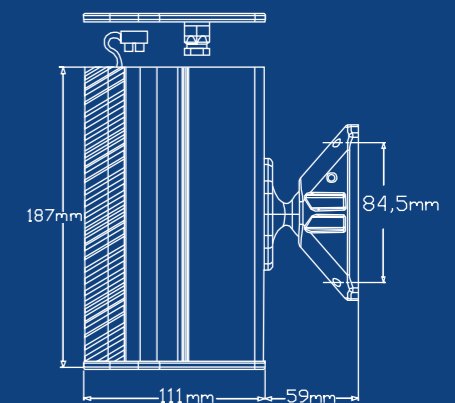
CAS-6 (T)



Material/Colour: Aluminum with PA lid/RAL 9010
Mounting: Swivel Bracket
Termination: Screw Terminal
Weight: 1,46 kg
IP Rating: 54
Max/Min Amb. Temperature: 110°C/-20°C
Rated/Max Power: 6W/10W
SPL 1W/1M: 88 dB
SPL Rated Power: 95 dB
Effective Freq. Range: 130 - 20000 Hz
Dispersion (-6dB) 1kHz/4kHz: 330°/80° (vertical)

Applications:

- * Railways
- * Churches & Mosques
- * Shopping Centers
- * Airports
- * Metro
- * Conference Rooms
- * Entertainment Systems
- * Museums



Certificates:



Options:

- * Colour
- * Transformer
- * Pre tapped options
- * Impedance
- * Cable
- * Cable gland
- * Fuse
- * Terminal
- * Capacitor

- * Bracket options
- * Length

Watt:

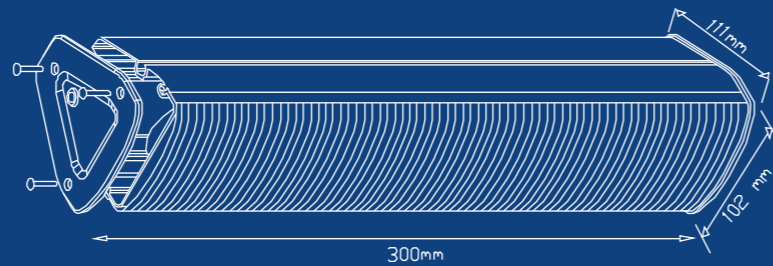
- * 6W



CAS-15-54 (T)



Material/Colour: Aluminum/White or Anodized
Mounting: Aluminum Bracket
Termination: Ceramic Terminal
Weight: 1,9 kg
IP Rating: 55
Max/Min Amb. Temperature: 90°C/-40°C
Rated Power: 15W/15W
SPL 1W/1M: 94 dB
SPL/Rated Power: 105 dB
Effective Freq. Range: 140 - 20000 Hz
Dispersion (-6dB) 1kHz/4kHz: 180°/80°



Applications:

- * Airports
- * Railway Stations
- * Metro Stations
- * Restaurants
- * Museums
- * Sport Venues
- * Shopping Centers

Certificates:

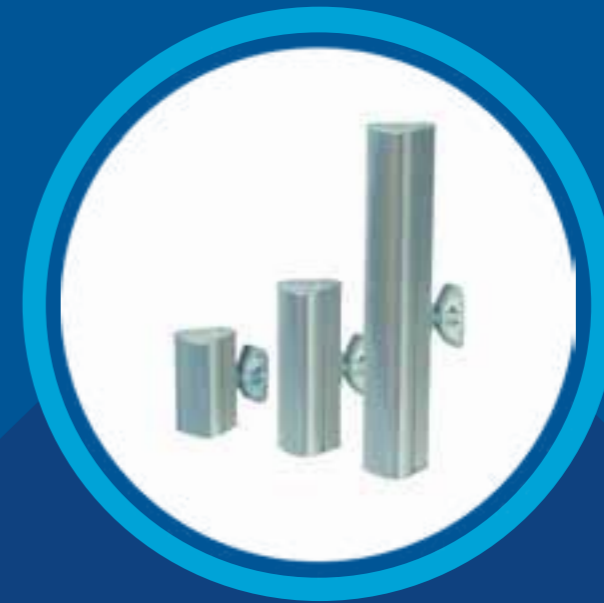


Options:

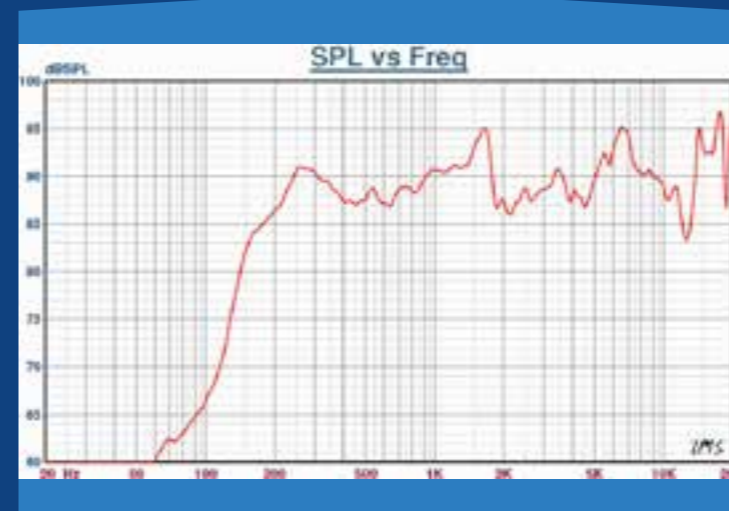
- * Colour
- * Impedance
- * Transformer
- * Capacitor

Watt:

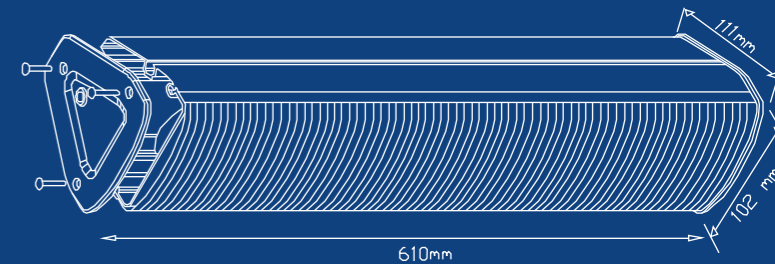
- * 15W



CAS-30 (T)



Material/Colour: Aluminum with PA lid/RAL 9010
Mounting: Swivel Bracket
Termination: Screw Terminals
Weight: 3,4 kg
IP Rating: 54
Max/Min Amb. Temperature: 110°C/-20°C
Rated/Max Power: 30W/40W
SPL 1W/1M: 90 dB
SPL Rated Power: 103 dB
Effective Freq. Range: 120 - 20000 Hz
Dispersion (-6dB) 1kHz/4kHz: 160°/120° (vertical)



Applications:

- * Railways
- * Churches & Mosques
- * Shopping Centers
- * Airports
- * Metro
- * Conference Rooms
- * Entertainment Systems
- * Museums

Certificates:



Options:

- * Colour
- * Transformer
- * Pre tapped options
- * Impedance
- * Cable
- * Cable gland
- * Fuse
- * Terminal
- * Capacitor

- * Bracket options
- * Length

Watt:

- * 30W



B E A C O N



DNH is proud to present the 21 joule BS-21ExeN zone 1 approved hazard area flashing beacon. Made of anodized aluminum alloy, powder coated and certified by both ATEX and IECEx this beacon is suitable for use in all gas groups.

The customer can choose from a range of lens colours and it can be supplied in either 24-48VDC or 115-230VAC. This light-weight device offers a large Ex 'e' terminal chamber which allows easy termination of field cables.

It is also available in stainless steel to ensure the extreme quality of the product.



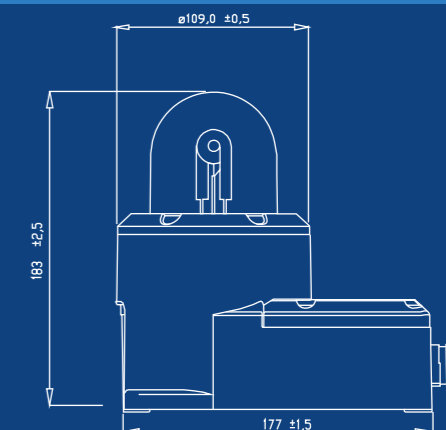
BS-21ExeN

Material/Colour: Aluminum alloy/RAL 7035		
Mounting: Screws		
Termination: Screw terminal		
Weight: 2,4 kg (Stainless 6,5 kg)		
IP Rating: 66		
Max Voltage DC: 48 V		
Rated Current DC 24 V - Average:	0,625A	Max: 2,9A
Rated Current DC 48 V - Average:	0,375A	Max: 1,9A

Max/Min Amb. Temperature: 58°C/-50°C (T3)		
Lamp Type: Xenon		
Cable Entries: M-20		
Flash Rate: 1Hz		
Dome: Borisilicate glass		
Max Voltage AC: 230 V		
Rated Current AC 115V - Average:	0,391A	Max: 0,7A
Rated Current AC 230V - Average:	0,208A	Max: 0,5A

Applications:

- * Onshore & Offshore
- * Oil & Gas
- * Chemical Industries
- * Power Plants
- * Machinery Rooms



Certificates:



Options:

- * Lens Colours: Clear, red, yellow, green, blue
- * Colour
- * Steel gitter
- * Stainless steel version
- * Cable gland

Electrical Data

Voltage.....Current peak.....Current average
24VDC.....2,9A.....0,625A
48VDC.....1,9A.....0,375A
115VAC.....0,7A.....0,391A
230VAC.....0,5A.....0,208A



MUSIC MASTERS



The powerful output of these speakers will provide coverage over very large areas and that is why DNH's music masters series represents the ideal solution for areas such as sports arenas, fitness centres, shopping malls and more.

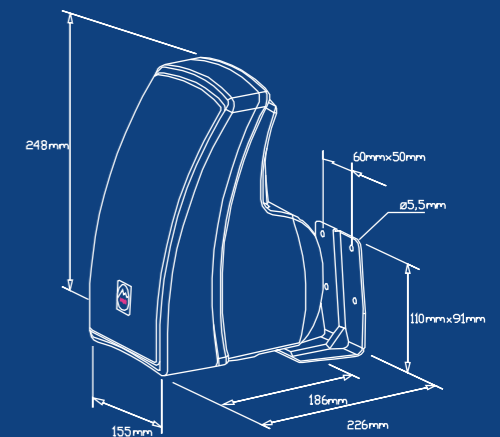
MD-40 (T)



Material/Colour: ABS/Black
Mounting: Brackett
Termination: Screw Terminal
Weight: 2,0 kg
IP Rating: 44
Max/Min Amb. Temperature: 90°C/-40°C
Rated/Max Power: 40W/60W
SPL 1W/1M: 87 dB
SPL Rated Power: 103 dB
Effective Freq. Range: 70 - 20000 Hz
Dispersion (-6dB) 1kHz/4kHz: 170°/70° (vertical)

Applications:

- * Bars & Restaurants
- * Retail Stores
- * Ski Resorts
- * Sport Arenas
- * Swimming Halls & Gyms
- * Theme Parks



Certificates:



Options:

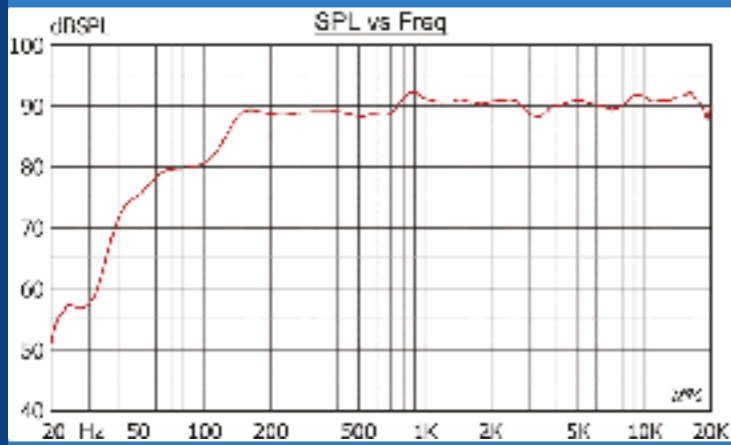
- * Colour
- * Impedance
- * Transformer
- * Bracket solutions
- * IP rating

Watt:

- * 40W



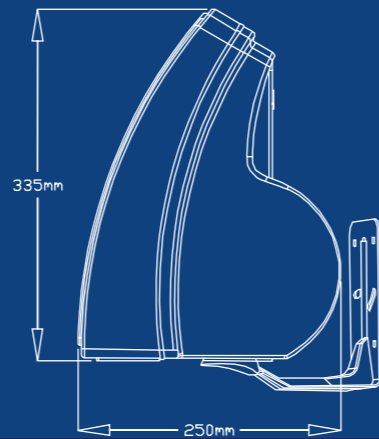
MD-60 (T)



Material/Colour: ABS/Black or White
 Mounting: Bracket
 Termination: Screw Terminal
 Weight: 3,9 kg
 IP Rating: 44
 Max/Min Amb. Temperature: 90°C/-20°C
 Rated/Max Power: 60W/100W
 SPL 1W/1M: 90 dB
 SPL Rated Power: 109 dB
 Effective Freq. Range: 45 - 20000 Hz
 Dispersion (-6dB) 1kHz/4kHz: 140°/65°(vertical)

Applications:

- * Bars & Restaurants
- * Retail Stores
- * Ski Resorts
- * Sport Arenas
- * Swimming Halls & Gyms
- * Theme Parks



Certificates:



Options:

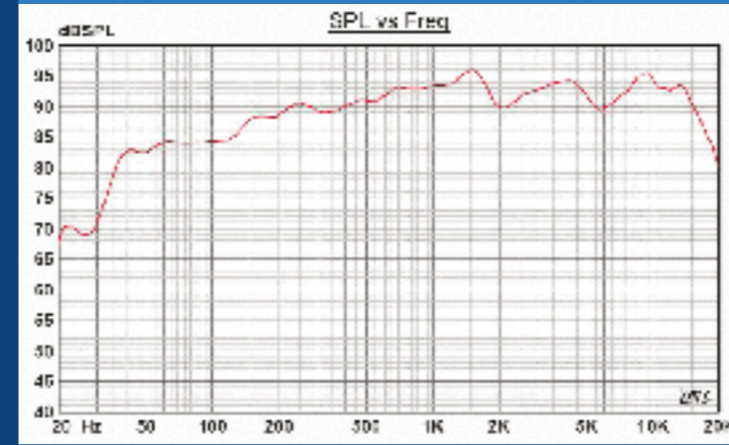
- * Colour
- * Impedance
- * Transformer
- * Bracket solutions
- * IP rating

Watt:

- * 60W



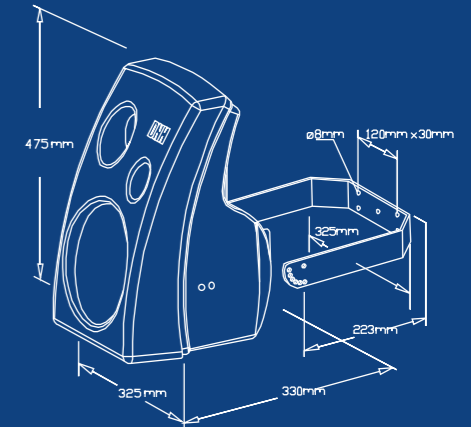
MD-120 (T)



Material/Colour: PE/Black
 Mounting: Bracket
 Termination: Screw Terminal
 Weight: 6,0 kg
 IP Rating: 44
 Max/Min Amb. Temperature: 90°C/-40°C
 Rated/Max Power: 120W/150W
 SPL 1W/1M: 91 dB
 SPL Rated Power: 112 dB
 Effective Freq. Range: 35 - 20000 Hz
 Dispersion (-6dB) 1kHz/4kHz: 85°/60°(vertical)

Applications:

- * Bars & Restaurants
- * Retail Stores
- * Ski Resorts
- * Sport Arenas
- * Swimming Halls & Gyms
- * Theme Parks



Certificates:



Options:

- * Colour
- * Impedance
- * Transformer
- * Bracket solutions
- * IP rating

Watt:

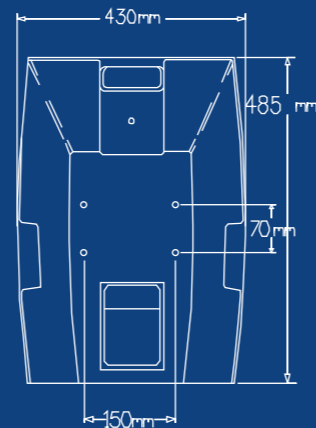
- * 120W



MD-200 (T)



Material/Colour: Polyethylene/Black
 Mounting: Bracket/Wire/Tripod
 Termination: Screw Terminals
 Weight: 13,3 kg
 IP Rating: 54
 Max/Min Amb. Temperature: 90°C/-40°C
 Rated/Max Power: 200W/300W
 SPL 1W/1M: 100 dB
 SPL Rated Power: 123 dB
 Effective Freq. Range: 40 - 20000 Hz
 Dispersion (-6dB) 1kHz/4kHz: 120°/50°(vertical)



Applications:

- * Bars & Restaurants
- * Retail Stores
- * Ski Resorts
- * Sport Arenas
- * Swimming Halls & Gyms
- * Theme Parks

Certificates:



Options:

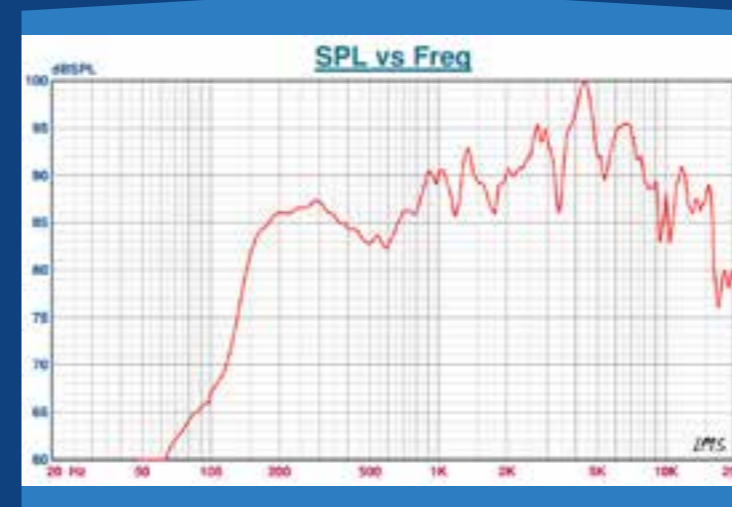
- * Colour
- * Impedance
- * Transformer
- * Bracket solutions
- * IP rating

Watt:

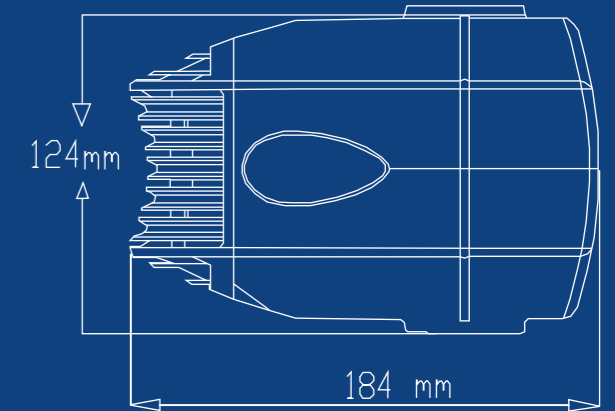
- * 200W



MC-15 (T)



Material/Colour: ABS-PC, V0/RAL 7035
 Mounting: Swivel Bracket
 Termination: Screw Terminal
 Weight: 1,6 kg
 IP Rating: 66
 Max/Min Amb. Temperature: 90°C/-40°C
 Rated/Max Power: 20W/30W
 SPL 1W/1M: 87 dB
 SPL Rated Power: 100 dB
 Effective Freq. Range: 100 - 20000 Hz
 Dispersion (-6dB) 1kHz/4kHz: -



Applications:

- * Bars & Restaurants
- * Retail Stores
- * Ski Resorts
- * Sport Arenas
- * Swimming Halls & Gyms
- * Theme Parks

Options:

- * Colour
- * Impedance
- * Transformer
- * Bracket solutions
- * IP rating

Watt:

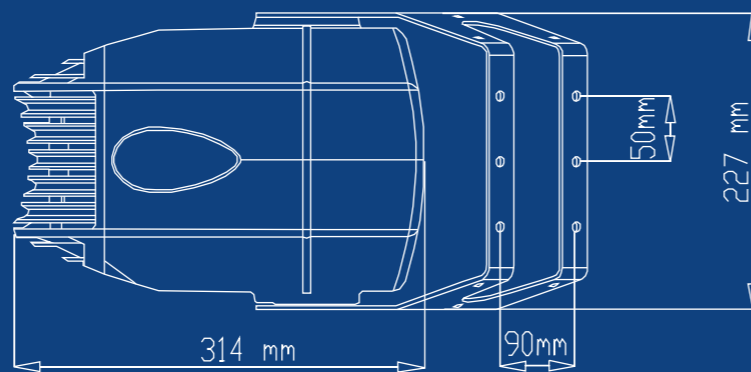
- * 15W



MC-50 (T)



Material/Colour: ABS, V0/RAL 7035
 Mounting: Bracket
 Termination: Screw Terminal in Termination Chamber
 Weight: 6,2 kg
 IP Rating: 55
 Max/Min Amb. Temperature: 90°C/-40°C
 Rated/Max Power: 50W/70W
 SPL 1W/1M: 98 dB
 SPL Rated Power: 115 dB
 Effective Freq. Range: 90 - 20000 Hz
 Dispersion (-6dB) 1kHz/4kHz: Horizontal 84°/105°
 Vertical 127°/105°



Applications:

- * Bars & Restaurants
- * Retail Stores
- * Ski Resorts
- * Sport Arenas
- * Swimming Halls & Gyms
- * Theme Parks

Options:

- * Colour
- * Impedance
- * Transformer
- * Bracket solutions
- * IP rating

Watt:

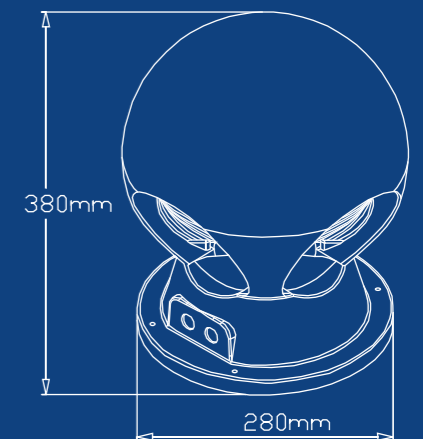
- * 50W



GMD-60 (T)



Material/Colour: ABS-PC/V0/RAL 7035
 Mounting: 6 screws ø 4,8mm
 Termination: Screw Terminal
 Weight: 3,5 kg
 IP Rating: 66
 Max/Min Amb. Temperature: 90°C/-40°C
 Rated/Max Power: 40W/60W
 SPL 1W/1M: 88 dB
 SPL Rated Power: 104 dB
 Effective Freq. Range: 100 - 20000 Hz
 Dispersion (-6dB) 1kHz/4kHz: 360°/360°



Applications:

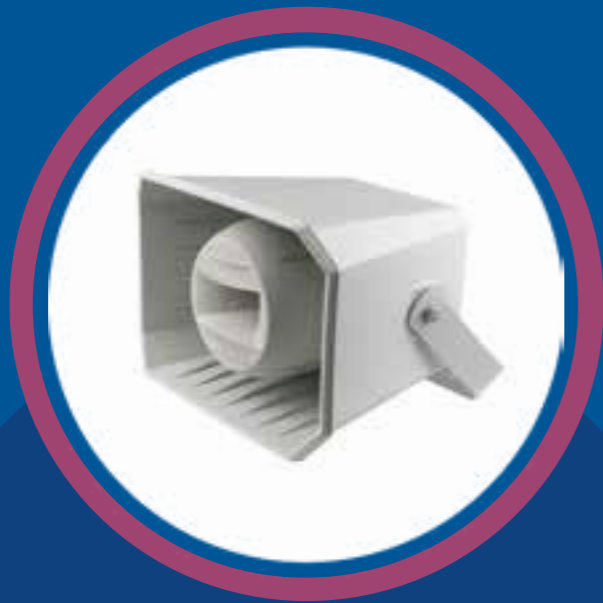
- * Gardens
- * Ski Resorts
- * Sport Arenas
- * Theme Parks

Options:

- * Colour
- * Impedance
- * Transformer

Watt:

- * 60W



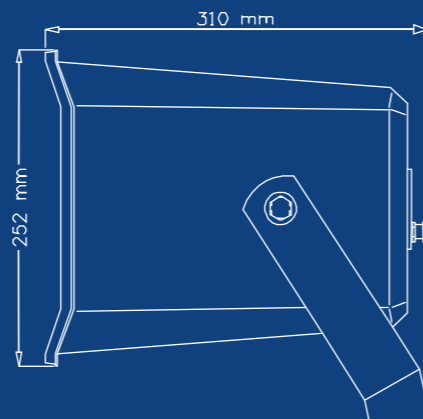
MH-50 (T)



Material/Colour: ABS, Polypropylene/RAL 7035
Mounting: Aluminum Bracket
Termination: Screw Terminals in Termination Chamber
Weight: 4,1 kg
IP Rating: 55
Max/Min Amb. Temperature: 90°C/-40°C
Rated/Max Power: 50W/70W
SPL 1W/1M: 104 dB
SPL Rated Power: 121 dB
Effective Freq. Range: 140 - 20000 Hz
Dispersion (-6dB) 1kHz/4kHz: 85°/100°

Applications:

- * Bars & Restaurants
- * Retail Stores
- * Ski Resorts
- * Sport Arenas
- * Swimming Halls & Gyms
- * Theme Parks



EN - 54 - 24



Sporting speakers from a wide variety of categories, DNH's EN-54-24 line is very versatile. Used for fire and emergency announcement, the speakers are all tested and certified according to EN-54-24.

Certificates:



Options:

- * Colour
- * Impedance
- * Transformer
- * Bracket solutions

Watt:

- * 50W



CAP-15-54 (T)

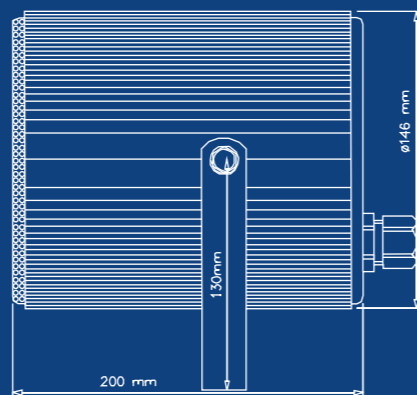
Sensitivity 315Hz-10KHz 1/3 Oct. Pink noise 1W/4 Meters		
100 Hz: 43 dB	125 Hz: 52 dB	160 Hz: 62 dB
200 Hz: 67 dB	250 Hz: 67 dB	315 Hz: 65 dB
400 Hz: 61 dB	500 Hz: 61 dB	630 Hz: 61 dB
800 Hz: 61 dB	1 KHz: 65 dB	1250 Hz: 68 dB
1600 Hz: 68 dB	2 KHz: 66 dB	2500 Hz: 66 dB
3150 Hz: 68 dB	4 KHz: 69 dB	5 KHz: 65 dB
6300 Hz: 61 dB	8 KHz: 63 dB	10 KHz: 61 dB

Horizontal/Vertical Coverage Angles	HCA	VCA
1 Oct. Pink Noise 500 Hz	360°	360°
1 Oct. Pink Noise 1 KHz	120°	120°
1 Oct. Pink Noise 2 KHz	85°	85°
1 Oct. Pink Noise 4 KHz	55°	55°

Applications:

- * Airports
- * Railway Stations
- * Metro Stations
- * Restaurants
- * Museums
- * Sport Venues
- * Shopping Centers

Material/Colour: Aluminum/Anodized
Mounting: Aluminum Bracket
Termination: Ceramic Terminal
Weight: 2,2 kg
IP Rating: 54
Max/Min Amb. Temperature: 90°C/-40°C
Rated Power: 15W/15W
SPL 1W/1M: 92 dB
SPL/Rated Power: 104 dB
Effective Freq. Range: -
Dispersion (-6dB) 1kHz/4kHz: -



Certificates:



Options:

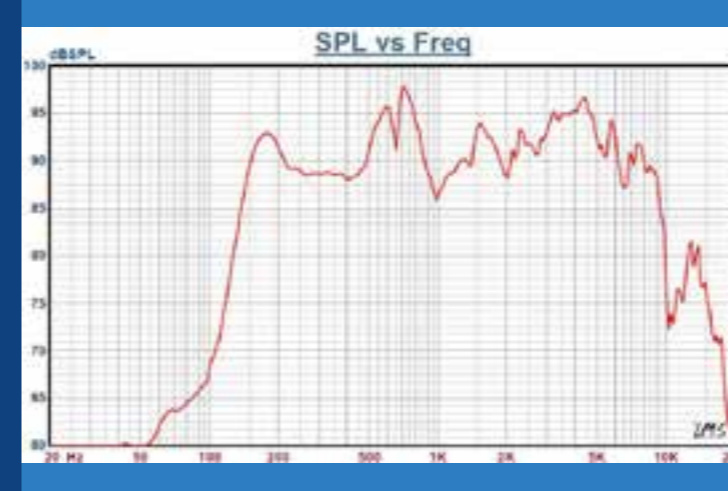
- * Colour
- * Impedance
- * Transformer
- * Capacitor

Watt:

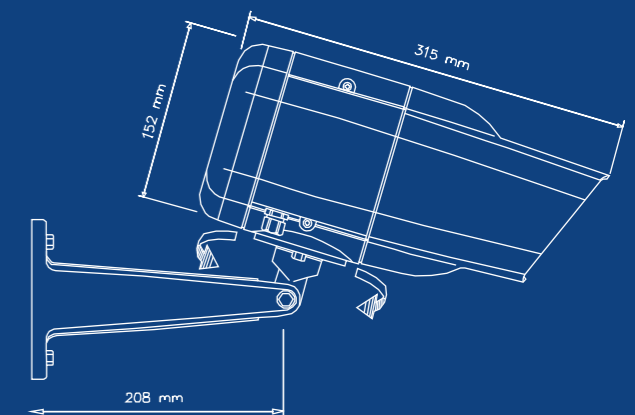
- * 15W



DP-10-54 (T)



Material/Colour: Ronfalin 5VA/RAL 7035
Mounting: PA-6 Swivel Bracket
Termination: Screw Terminal
Weight: 2,4 kg
IP Rating: 55
Max/Min Amb. Temperature: 90°C/-40°C
Rated/Max Power: 6W/6W
SPL 1W/1M: 92 dB
SPL Rated Power: 102 dB
Effective Freq. Range: 140 - 16000 Hz
Dispersion (-6dB) 1kHz/4kHz: 125°/55°



Applications:

- * Railway Stations
- * Marine
- * Sport Venues
- * Car Parks
- * Metros

Certificates:



Options:

- * Impedance
- * Transformer
- * Brackets

Watt:

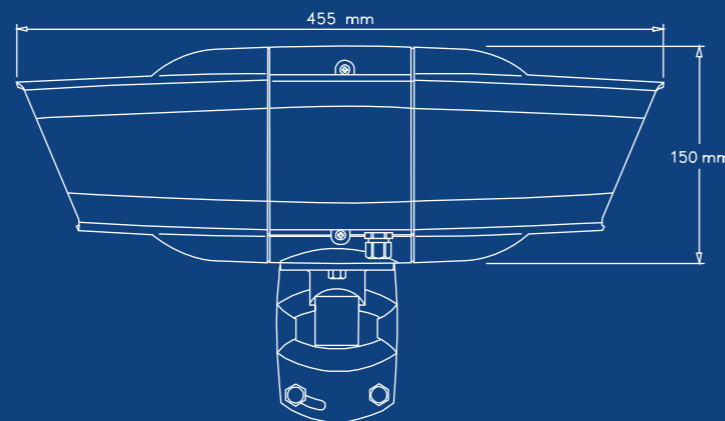
- * 10W



DPD-10-54 (T)



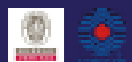
Material/Colour: Ronfalin 5VA/RAL 7035
 Mounting: PA-6 Swivel Bracket
 Termination: Screw Terminal
 Weight: 3,3 kg
 IP Rating: 55
 Max/Min Amb. Temperature: 90°C/-40°C
 Rated/Max Power: 6W/6W
 SPL 1W/1M: 90 dB
 SPL Rated Power: 98 dB
 Effective Freq. Range: 110 - 16000 Hz
 Dispersion (-6dB) 1kHz/4kHz: 2x160°/2x55°



Applications:

- * Railway Stations
- * Marine
- * Sport Venues
- * Car Parks
- * Metros

Certificates:



Options:

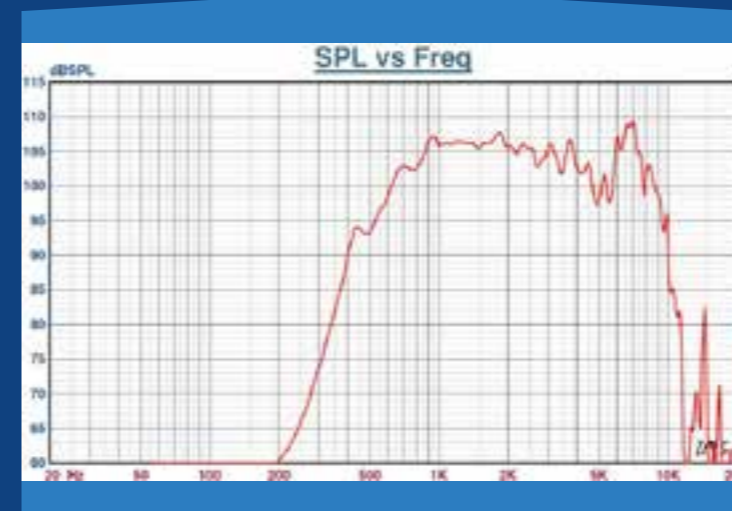
- * Impedance
- * Transformer
- * Brackets

Watt:

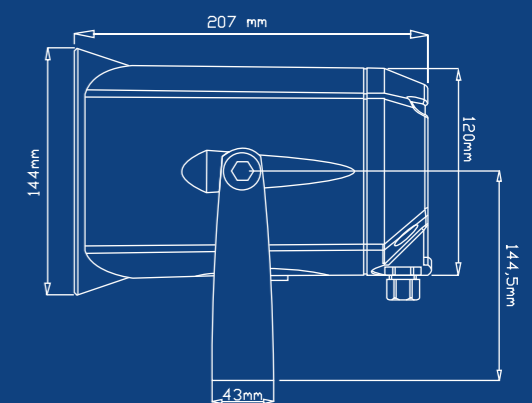
- * 6W



DSP-15-54 (T)



Material/Colour: Ronfalin/RAL 7035
 Mounting: Bracket
 Termination: Screw Terminals
 Weight: 1,8 kg
 IP Rating: Minimum 66/67
 Max/Min Amb. Temperature: 90°C/-40°C
 Rated/Max Power: 15W/15W
 SPL 1W/1M: 106 dB
 SPL Rated Power: 117 dB
 Effective Freq. Range: 350 - 11000 Hz
 Dispersion (-6dB) 1kHz/4kHz: 150°/45°



Applications:

- * Airports
- * Railway Stations
- * Factories
- * Offices
- * Marine
- * Car Parks
- * Metros
- * Industries
- * Shopping Centres

Certificates:



Options:

- * Impedance
- * Transformer
- * Brackets
- * Thermal fuse

Watt:

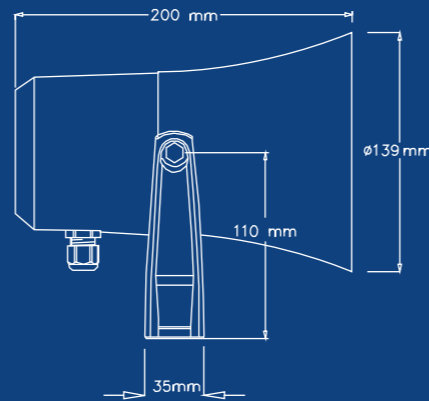
- * 15W



HP-10-54 (T)



Material/Colour: Ronfalin/RAL 7035
 Mounting: Bracket
 Termination: Screw Terminal
 Weight: 1,2 kg
 IP Rating: 66/67
 Max/Min Amb. Temperature: 90°C/-40°C
 Rated/Max Power: 10W/10W
 SPL 1W/1M: 106 dB
 SPL Rated Power: 116 dB
 Effective Freq. Range: 370 - 20000 Hz
 Dispersion (-6dB) 1kHz/4kHz: 150°/45°



Applications:

- * Airports
- * Railway Stations
- * Factories
- * Offices
- * Marine
- * Car Parks
- * Metros
- * Industries
- * Shopping Centres

Certificates:



Options:

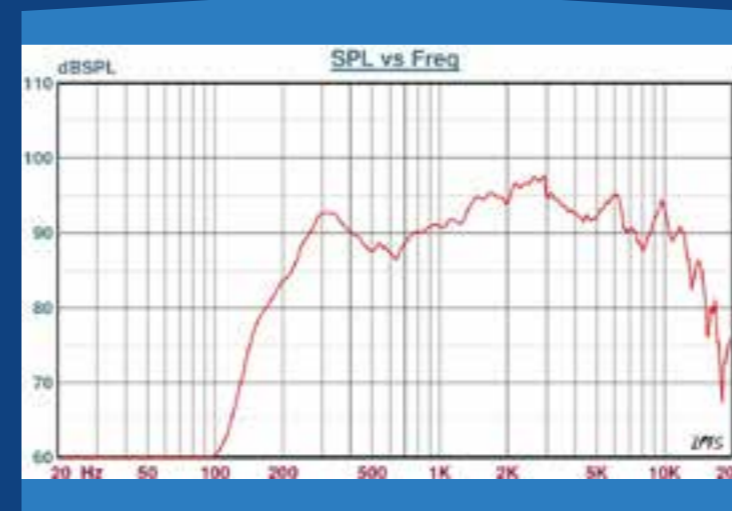
- * Impedance
- * Transformer
- * Brackets
- * Thermal fuse

Watt:

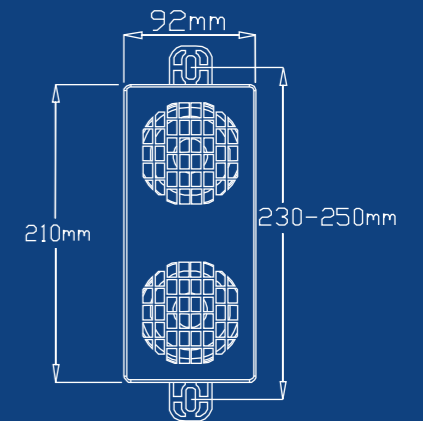
- * 15W



P-3x2P-54 (T)



Material/Colour: Ronfalin/RAL 7035
 Mounting: 2x Plastic Brackets
 Termination: Screw Terminal/0,5m cable
 Weight: 1,0 kg
 IP Rating: 22
 Max/Min Amb. Temperature: 90°C/-40°C
 Rated/Max Power: 15W/15W
 SPL 1W/1M: 91 dB
 SPL Rated Power: 102 dB
 Effective Freq. Range: 180 - 18000 Hz
 Dispersion (-6dB) 1kHz/4kHz: 170°/80° (vertical)



Applications:

- * Railway Stations
- * Factories
- * Offices
- * Airports
- * Carparks
- * Metros
- * Industries

Certificates:



Options:

- * Impedance
- * Transformer

Watt:

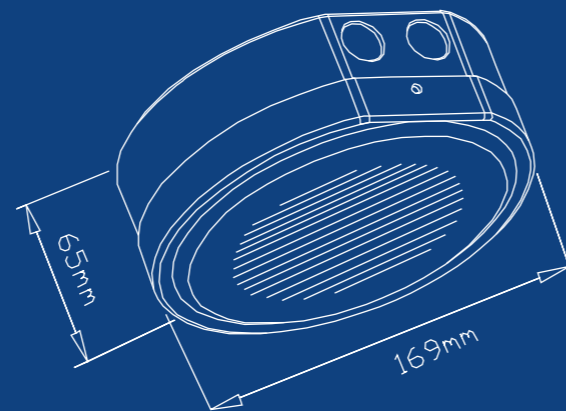
- * 15W



SAFE-561-54 (T)



Material/Colour: Steel/RAL 9010
 Mounting: 4 Screws
 Termination: Ceramic Terminal
 Weight: 1,2 kg
 IP Rating: 22
 Max/Min Amb. Temperature: 90°C/-20°C
 Rated/Max Power: 6W/6W
 SPL 1W/1M: 90 dB
 SPL Rated Power: 97 dB
 Effective Freq. Range: 180 - 13000 Hz
 Dispersion (-6dB) 1kHz/4kHz: 160°/70°



Applications:

- * Shopping Centers
- * Laboratories
- * Pharmaceutical Industries
- * Offices
- * Car Parks
- * Churches & Mosques
- * Hotels
- * Resorts & Spas
- * Museums
- * Railway & Metro
- * Hospitals
- * Airports
- * Chemical Industries
- * Restaurants
- * Factories
- * Hallways & Corridors

Certificates:



Options:

- * Colour
- * Impedance
- * Transformer
- * Thermal fuse

Watt:

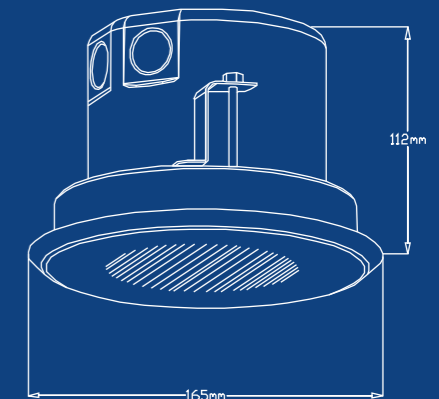
- * 6W



VES-561-54 (T)



Material/Colour: Steel/Alu/RAL 9010
 Mounting: 3 Screws
 Termination: Ceramic Terminal
 Weight: 1,1 kg
 IP Rating: 22
 Max/Min Amb. Temperature: 90°C/-20°C
 Rated/Max Power: 6W/6W
 SPL 1W/1M: 90 dB
 SPL Rated Power: 97 dB
 Effective Freq. Range: 180 - 13000 Hz
 Dispersion (-6dB) 1kHz/4kHz: 150°/60°v



Applications:

- * Shopping Centers
- * Laboratories
- * Pharmaceutical Industries
- * Offices
- * Car Parks
- * Churches & Mosques
- * Hotels
- * Resorts & Spas
- * Museums
- * Railway & Metro
- * Hospitals
- * Airports
- * Chemical Industries
- * Restaurants
- * Factories
- * Hallways & Corridors

Certificates:



Options:

- * Colour
- * Impedance
- * Transformer
- * Thermal fuse

Watt:

- * 6W



JUNCTION BOX



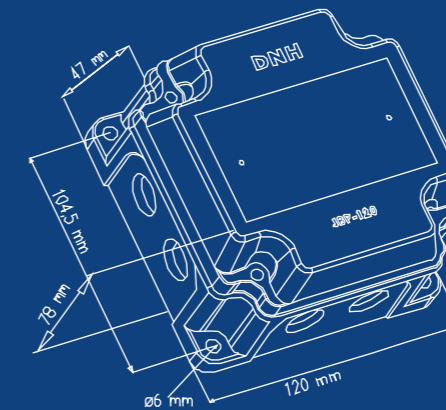
Junction box with 6 possible entries, earth plate and 2.5 mm Wago terminal.
Delivered with 4 blindplugs and 3 cable glands M-20 unmounted.

Also available in Ex version.



JBP-120

Material/Colour: ASA Halogen Free/RAL 7035
Mounting: 2-4 Screws
Termination: Wago 264 Terminal/Earth Plate/2,5mm ² /600V
Weight: 0,35 kg
IP Rating: 67
Max/Min Amb. Temperature: 90°C/-50°C



Applications:

- * Marine
- * Retail Stores
- * Metro/Railway/Tunnels
- * Restaurants & Hotels
- * Museums
- * Factories & Industry
- * Offices & Commercial Buildings
- * Hospitals
- * Government & Military
- * Sport Arenas

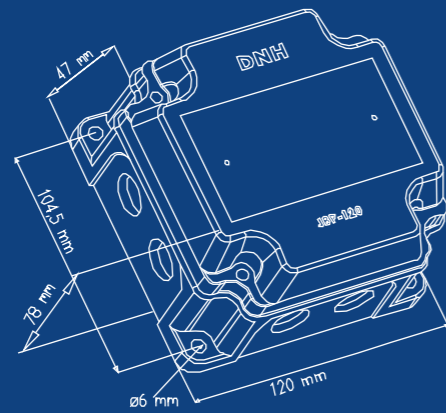
Options:

- * Colour
- * Terminal
- * Cable glands/Blind plugs
- * Fuse
- * Capacitor



JBP-120EExeN

Material/Colour: Antistatic PA/Black
Mounting: 4 Screws
Termination: Wago 264 Terminal/Earth Plate
Weight: 0,4 kg
IP Rating: 67
Max/Min Amb. Temperature: 50°C/-50°C



Applications:

- * Onshore & Offshore
- * Oil & Gas
- * Chemical Industries
- * Power Plants
- * Machinery Rooms

Certificates:



Options:

- * Terminal



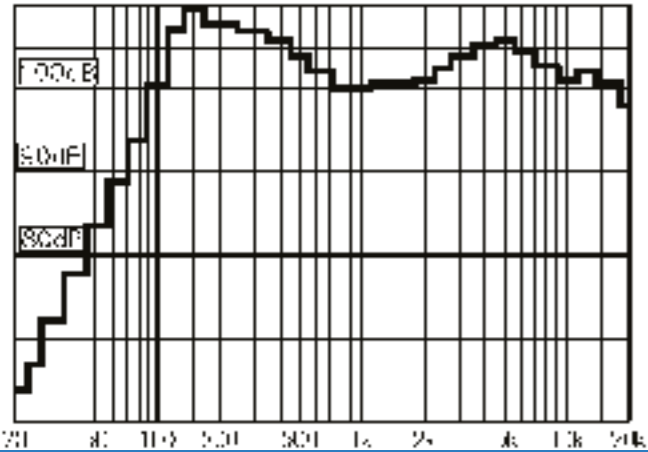
UNDERWATER



DNH's unique Aqua 30 is a completely sealed loudspeaker designed for underwater applications. The Aqua 30 features rated power 30 watts at 8 ohms and is constructed from PA materials. The Aqua 30 is ideal for applications including synchronised swimming, diving courses, hotels, leisure parks and special applications such as test laboratories.



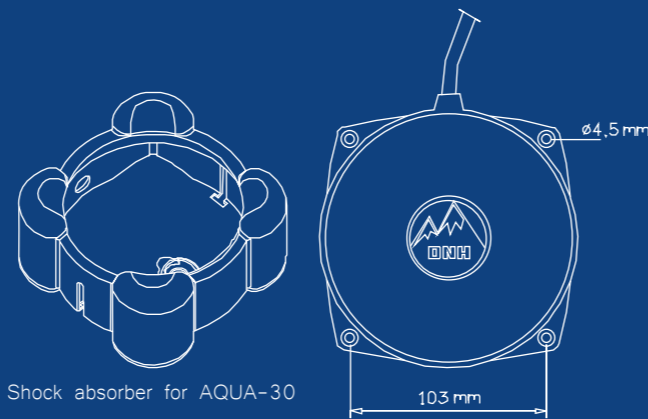
AQUA-30



Material/Colour: PA/Blue
Mounting: 4 Screws
Termination: Cable, 5m
Weight: 2,2 kg
IP Rating: 68
Max/Min Amb. Temperature: 90°C/-20°C
Rated/Max Power: 20W/30W
SPL 1W/1M: 105 dB
SPL Rated Power: 118 dB
Effective Freq. Range: 80 - 20000 Hz
Dispersion (-6dB) 1kHz/4kHz: 180°/180°

Applications:

- * Swimming Pool
- * Lifeboats
- * Fishing Industry
- * Scuba Diving
- * Test Laboratories
- * Spas
- * Water Shows
- * Military & Government



Certificates:



Options:

- * Colour
- * Cable
- * Impedance
- * Bracket

Watt:

- * 30W

The buyer of DNH loudspeakers benefits from the research and engineering which DNH has performed for more than 70 years in developing high class loudspeakers for every purpose and demand.

This experience, combined with the most careful selection of materials and the strictest manufacturing controls, will assure you performance of the highest quality

During all stages of our manufacturing and production process, a fully documented Approved Quality Assurance system to ISO 9001 is imposed.