

## Finishes &amp; Abbreviations &gt;&gt;&gt;

<b>AB</b>	Antique Brass
<b>AG</b>	Anodised Gold
<b>AL</b>	Aluminium
<b>ANTH</b>	Anthracite
<b>AS</b>	Anodised Silver
<b>BEI</b>	Beige
<b>BJ</b>	Black Japanned
<b>BLK</b>	Black
<b>BLU</b>	Blue
<b>BLUX</b>	Brasslux
<b>BMA</b>	Bronze Metal Antique
<b>BP</b>	Brass Plated
<b>BRN</b>	Brown
<b>BZ</b>	Bright Zinc
<b>CG</b>	Champagne Gold
<b>CHAM</b>	Champagne
<b>CRE</b>	Cream
<b>CP</b>	Chrome Plated
<b>DMG</b>	Dark Metallic Grey
<b>GRN</b>	Green
<b>EB</b>	Electro Brass
<b>ENB</b>	Enamelled Nickel Plated
<b>EPS</b>	Epoxy Powdered Silver
<b>EPB</b>	Epoxy Black
<b>EPW</b>	Epoxy White
<b>GLD</b>	Gold
<b>GAA</b>	Gold Anodised Aluminium
<b>GE</b>	Gold Enamelled
<b>GLV</b>	Galvanised
<b>GRY</b>	Grey
<b>IB</b>	Imitation Bronze
<b>IVO</b>	Ivory
<b>JPD</b>	Japanned
<b>MS</b>	Metallic Silver
<b>NP</b>	Nickel Plated
<b>PAA</b>	Polished Anodised Aluminium
<b>PB</b>	Polished Brass
<b>PC</b>	Polished Chrome
<b>PL</b>	Polished & Laquered
<b>PSS</b>	Polished Stainless Steel
<b>RED</b>	Red
<b>SAA</b>	Satin Anodised Aluminium
<b>SALM</b>	Salmon
<b>SB</b>	Satin Brass
<b>S/C</b>	Self Colour
<b>SCB</b>	Self Colour Brass
<b>SCS</b>	Self Colour Steel
<b>SC</b>	Satin Chrome
<b>SCP</b>	Satin Chrome Plated
<b>SNP</b>	Satin Nickel Plated
<b>ST</b>	Steel
<b>SS</b>	Satin Stainless Steel
<b>SLV</b>	Silver
<b>SE</b>	Silver Enamelled
<b>WE</b>	White Enamelled
<b>WH</b>	White
<b>YC</b>	Yellow Chrome
<b>ZP</b>	Zinc Plated

## Measurement Converter &gt;&gt;&gt;

Millimetres	Inches
1829mm	= 72"
1524mm	= 60"
1219mm	= 48"
914mm	= 36"
610mm	= 24"
305mm	= 12"
152mm	= 6"
140mm	= 5.5"
127mm	= 5"
114mm	= 4.5"
102mm	= 4"
89mm	= 3.5"
76mm	= 3"
64mm	= 2.5"
51mm	= 2"
38mm	= 1.5"
25mm	= 1"
19mm	= 3/4"
13mm	= 1/2"
6.5mm	= 1/4"



### Cockspur Handle >>>

The most basic type of window handle. The handle “nose” secures over a wedge on the frame to seal and secure the window.



### Inline Espag Handle >>>

A window handle that drives a square spindle to operate an espagnolette or shootbolt locking system. These are the most common type of window handle currently fitted to UPVC windows. As its name suggests, this type of handle design is straight or “inline”.



### Cranked Espag Handle >>>

A window handle that drives a square spindle to operate an espagnolette or shootbolt locking system. These are the most common type of window handle currently fitted to UPVC windows. The levers of cranked window handles are offset to either the left or right to improve handle clearance. As the handles are offset this means that they are handed either left or right.



### TBT Handle >>>

A window handle designed specifically for tilt before turn (TBT) or turn-first (TNT) windows.

Operates in 3 distinct positions



1. Closed position



2. Tilt position

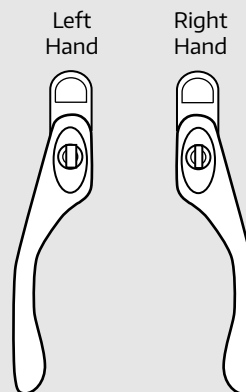


3. Turn position

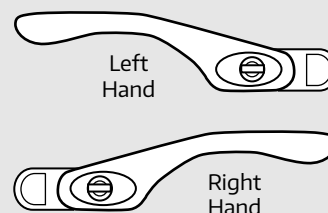
### Handing Cranked Window Handles >>>

Cranked window handles are ‘handed’ left and right.

If the handle grip is offset to the left it is a ‘left hand’ handle. Likewise if the handle grip is offset to the right it is a ‘right hand’ handle.



Side hung, viewed internally



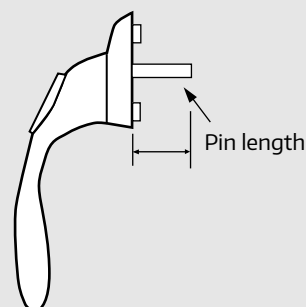
Top hung, viewed internally

### Pin Lengths >>>

The espag handle pin length required will usually be dictated by the window framing system.

To measure the pin length of an existing handle, measure from the base of the rose to the end of the spindle.

Pin lengths generally range from 9mm - 55mm.



# Keying Terminology

**Our specialist staff within our in-house workshop facility are able to offer master keyed systems to suite all requirements and budgets. We can create and assemble cylinders to suit the most complex and secure systems within a few days from receipt of order. We are also able to build cylinders to work on the same key for a front and back door application.**

Should you have a requirement to supply cylinders or keys to an existing master keyed system, please contact a member of our Specials Department who will be happy to assist.

Our highly skilled key cutting staff are also able to supply extra keys to pattern or to code within 48 hours from receipt of order. To assist in understanding keying terminology, we have produced the simple guide below. If you would like further assistance or would like to discuss your specific requirements please contact us and our dedicated team will be happy to help.

## To Differ >>>

To Differ - a lock or cylinder that works with its own keys i.e - a front door.



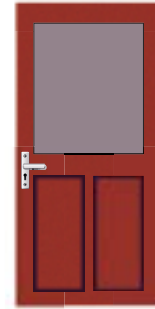
Front Door

## Keyed Alike >>>

Keyed Alike (also known as To Pass) - two or more locks or cylinders made to operate on the same key, i.e - a front and back door.



Front Door



Back Door

## Master Keying >>>

All the locks or cylinders have their own key (and cannot open any other lock or cylinder) but a master key will open them i.e. an office or small factory.



Office 1

Office 2

Office 3

Office 4

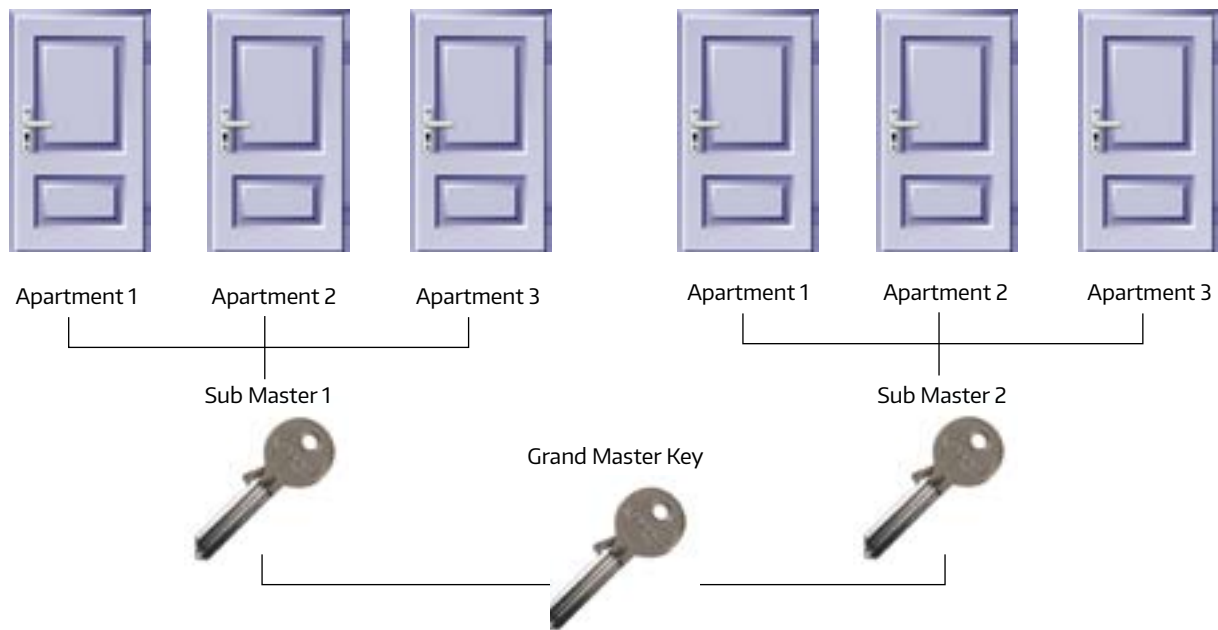
Office 5

Master Key



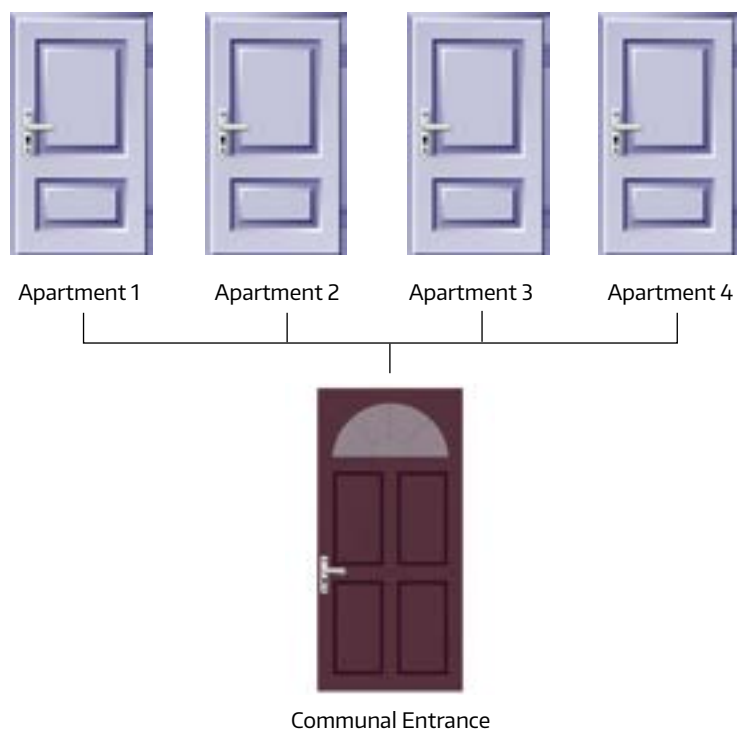
## Grand Master Key >>>

Grand master key - similar to a master keyed system but can be sub grouped to offer greater key control. For example, a hotel would normally be on a grand master key system. The owner (or manager) would have a grand master key to open all the locks. The Entertainment Manager would have a sub master key to open the doors that they are responsible for and the House Manager would have a sub master key for the bedrooms. Neither can gain access to the others areas but the owner (or manager) can access all the doors.



## Communal Entrance >>>

A communal entrance or common entrance - usually an apartment block where all the individual apartments have their own key and will not open anything else apart from the main entrance of the building. It is possible to offer a common entrance cylinder as part of a master keyed system.



# A guide to identifying Door Handles



## Lever/Lever Door Handles >>>

Lever handle both internally and externally are generally for use with standard multi point door locks. Standard door handles are often manufactured from aluminium or zinc and are available in a range of colours.



## High Security Door Handles >>>

High security door handles meet the enhanced security requirements of PAS24 and Secured by Design. They provide superior strength and protection against common types of forced entry.



## Lever/Pad Door Handles >>>

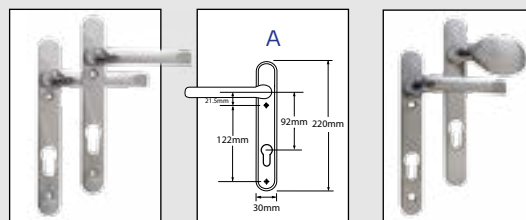
Lever handle internally and pad handle externally are generally for use with "twin spindle" door locks. Standard door handles are often manufactured from aluminium or zinc and are available in a range of colours.

## Identifying the length of backplate required

The multi point locking system being used will dictate the size and type of door handle fitted.

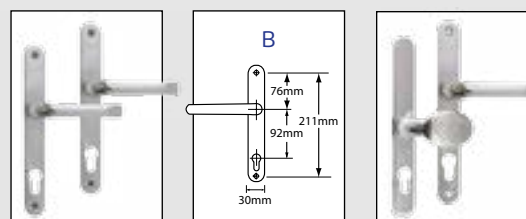
Measure the lockcase (see door lock page) and select a handle with screw fixings that secure either through the lock or on either side of the lockcase.

If you have an existing handle available measure the overall length of the backplate and note the position and number screw fixings. See diagrams below. There are two common variants of door handles - A & B. See below.



### A Variant

Two screw fix backplates, usually 220mm in length. Lever/Lever versions can be used with most standard PZ92 multi point door locks.



### B Variant

Two screw fix backplates, usually 240mm in length.

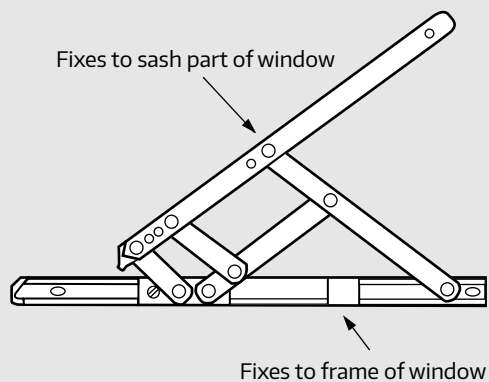
### PZ Distance

The PZ dimension is the distance from the centre of the handle spindle hole to the centre of the cylinder. The most common PZ distance is 92mm. See drawings A and B above.

## Stack Height

The standard stack heights for friction stays are 13mm and 17mm. To measure the stack height of friction stay:

1. Fully close the friction stay so that all of the arms are stacked on top of each other. See image.
2. Measure from the bottom arm of the stay to the top arm. This measurement is the stack height.



## Friction Stays >>>

Friction stays, or friction hinges, hinge the window to allow it to open and close. Fitted in pairs, they are positioned at either the top and bottom or left and right sides of a window.



## Standard Friction Stay >>>

Standard stays are for use on side hung and top hung casement windows.



## Egress Friction Stay for Emergency Exit >>>

Friction stays with a wide opening angle for emergency egress. They allow casement windows to satisfy the emergency egress requirements of Approved Document B of the building regulations. Egress friction stays often have colour coded end caps, for example in green, for easy identification.



## Restricted Friction Stay >>>

Friction stays with a built-in restrictor to restrict window opening to a maximum of 100mm for child safety.

A 'quick release' lever enables cleaning and ventilation, relocating automatically when window is closed.



# A guide to identifying Door Locks

## Locking and Sealing Point Configuration >>>

Depending upon the level of security required various configurations of locking and sealing points are used.



**Latch** - Reversible for right or left hand doors.



**Deadbolt**



**Roller Cam** - Adjustable to ensure optimum weather sealing.



**Mushroom Cam** - Anti-separation device, adjustable for weather sealing.



**Hook & Pin** - Strong anti-separation and anti-lift combination.



**Hook** - Anti-separation device. Locks in either an upward or downward direction and secures behind striker.



**Pin** - Anti-lift bolt protected.



**Shoot Extensions** - Can be added top and bottom to specific door locks to enhance security of residential doors or for use on master or slave leaf of french door set.

## Door lock Application and Type >>>

**Common applications for multi point door locks include:**

### Residential Doors >>>

Multi point locks for use on front or back doors. These multi point locks feature various combinations of locking points, from basic 4 roller locks to enhanced security hook locks.

### French Door Master Leaf >>>

Multi point locks designed for use on the master leaf of a pair of french doors. These locks often feature the same locking point combinations as standard residential door locks but can have shootbolts added top and bottom - highly recommended when used on french doors.

### French Door Slave Leaf >>>

Multi point locks designed for use on the master leaf of a pair of french doors. Slave locks are fitted behind a french door dummy mullion and have shootbolts fitted top and bottom. Fitting a slave lock provides enhanced security when compared to finger bolts and maintains the symmetry of the door as two sets of handles are fitted.

### Stable Doors >>>

Multi point doors are becoming increasingly popular as an alternative to traditional residential doors - particularly as a rear or kitchen back door. Stable door locking systems allow the top half of the door to be opened for ventilation, or the whole door to open for access.

### Panic Doors >>>

Multi point locks designed for use on panic doors. These multi point locks are operated internally via panic bars or pads for safe, simple egress in case of emergency.

## Sizing >>>

### Faceplate Width

The standard faceplate (A) width for multipoint locks is 16mm, although some locks are available with a 24mm U-track faceplate. Typically, composite door faceplates are 20mm.

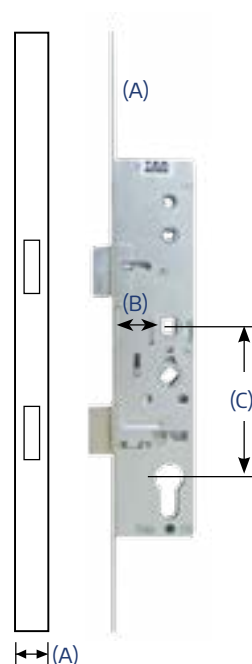
### Backset

The backset dimension (B) is the distance from the gearbox faceplate to the centre of the square spindle hole. Backset dimensions will generally be either 35mm for PVCU doors or 45mm for composite or timber doors.

### PZ

The PZ dimension (C) is the distance from the centre of the handle spindle hole to the centre of the cylinder. The most common PZ distance is 92mm although this can vary depending on lock manufacturer and lock function i.e twin spindle locks.

The positions of the security points, i.e. the rollers, is measured from the spindle to the rollers, or as close to the centre of the hook/deadbolt case as possible.



### Key

- (A) Faceplate
- (B) Backset dimension
- (C) PZ dimension

## Letterboxes >>>

Letterboxes are typically available in 2 standard widths - 10" and 12" and in either standard or slimline height, all of which are designed to accept A4 size letters.

To suit a range of door thicknesses, letter boxes are available in telescopic sizes - usually 20/40 and 40/80 - which fix together from either side of a door. Screw fixings are located on the internal half of the letterbox.

Other options include:

### Standard Letterbox >>>

- Extruded aluminium flap.
- External and internal plastic frames.
- External foam weather sealing & internal nylon brush sealing.
- Torsion bars operate flaps.



### Premier Letterbox >>>

- Zinc alloy flap and frame, internally and externally.
- External foam weather sealing.
- Internal nylon brush weather sealing.
- Concealed, spring flap operating mechanism.
- Internal and external finger recess for ease of use.



Nylon Brushes



Finger Recess

### Slimline Letterbox >>>

- 38mm - 50mm aperture height.

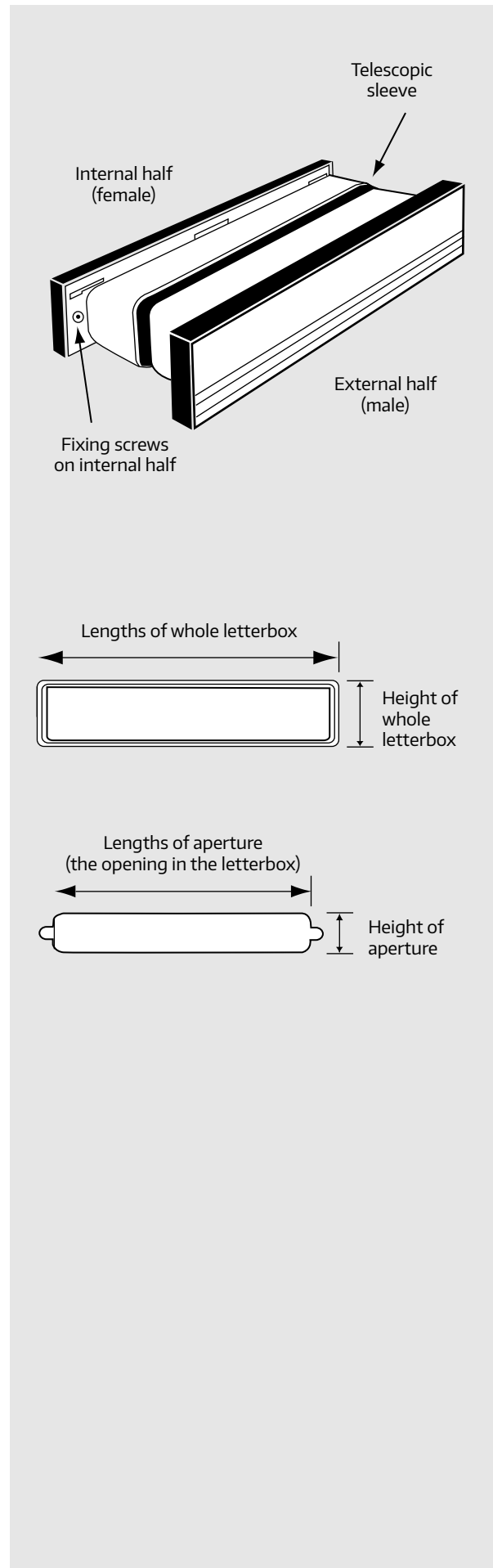


### Letterbox Security >>>

Manufactured from aluminium, a letterbox cowl locates around an existing letterbox on the internal side of a door to provide enhanced door security by limiting the opening angle of internal letterbox flap.



This effectively reduces vulnerability to "letterbox fishing" whilst still accessible for post.





Centre Section			Number Of Locking Mechanisms							Miscellaneous			Code	Page Number
Latch Only	Latch & Dead	Latch & Hook	Dead Bolt	Pin	Hooks	Pin & Hook	Mushroom	Roller	Slider	Backset	Centres	Manufacturer		
-	Yes	-	-	-	2	-	-	3	-	35	92	AGB	L15612	110
-	Yes	-	-	-	-	-	-	-	-	35	92	Aldridge	L18289	27
Yes	Yes	-	-	-	-	-	-	-	-	35	92	Aldridge	L18290	28
-	Yes	Yes	-	-	2	-	-	-	-	35	92	Asgard	L15344	142
-	Yes	-	2	-	-	-	-	4	-	35	92-62	Avocet	L15356	116
-	Yes	-	-	-	2	-	-	4	-	35	92-62	Avocet	L15357	118
-	Yes	-	-	-	2	-	-	2	-	35	92-62	Avocet	L17414	117
-	Yes	-	-	-	-	-	-	4	-	35	92-62	Avocet	L17415	119
-	Yes	-	-	-	-	-	-	-	-	35	92-70	Cego	L16221	46
-	Yes	-	-	-	-	-	2	2	-	35	92	Era	L14940	101
-	Yes	-	-	-	2	-	-	2	-	35	92	Era	L15438	127
-	Yes	-	-	-	-	-	-	-	-	35	92	Era	L16230	29
-	Yes	-	-	-	-	-	-	-	-	35	92	Era	L16389	30
-	Yes	Yes	-	-	-	-	-	-	-	35	92	Era	L16391	31
-	Yes	-	-	-	2	-	-	-	-	45	92	Era	L15437	128
-	Yes	-	-	-	2	-	-	-	-	45	92	Era	L15439	129
-	Yes	-	-	-	-	-	-	-	-	45	92	Era	L16231	29
-	Yes	-	-	-	-	-	-	-	-	45	92	Era	L16390	30
-	Yes	-	-	-	2	-	-	-	-	45	92	Era	L16392	131
-	Yes	-	-	-	2	-	-	-	-	45	92	Era	L16393	130
-	Yes	Yes	-	-	2	-	-	2	-	35	92	Fab & Fix	L18350	132
Yes	Yes	-	-	-	-	-	-	4	-	28	70	Ferco	L11759	136
Yes	Yes	-	-	-	-	-	-	2	-	28	70	Ferco	L11761	134
Yes	Yes	-	-	-	-	-	-	4	-	35	70	Ferco	L11760	136
Yes	Yes	-	-	-	-	-	-	2	-	35	70	Ferco	L11762	134
-	Yes	-	-	-	2	-	-	-	-	40	70	Ferco	L15347	140
-	Yes	-	-	-	2	-	-	-	-	50	70	Ferco	L15348	140
-	Yes	-	2	-	-	-	-	-	-	50	105	Fix	L18351	143
-	Yes	-	2	-	-	-	-	-	-	50	105	Fix	L18352	143
-	Yes	-	-	-	2	-	-	-	-	55	72	Fix	L18353	144
-	Yes	-	-	-	2	-	-	-	-	55	72	Fix	L18354	144
-	Yes	-	-	-	-	-	-	4	-	25	92	Fuhr	L15597	154
-	Yes	-	-	-	-	-	-	-	-	25	92	Fuhr	L16217	32
-	Yes	-	-	-	-	-	-	4	-	30	92	Fuhr	L15592	154
-	Yes	-	-	-	-	-	-	4	-	30	92	Fuhr	L15596	145
-	Yes	-	-	2	-	-	-	2	-	30	92	Fuhr	L15600	153
-	Yes	-	-	-	-	-	-	-	-	30	92	Fuhr	L16218	32
-	Yes	-	-	-	2	-	-	2	-	35	92	Fuhr	L15591	151
-	Yes	-	-	2	2	-	-	-	-	35	92	Fuhr	L15594	153
-	Yes	-	-	-	2	-	-	2	-	35	92	Fuhr	L15595	152
-	Yes	-	-	-	-	-	-	4	-	35	92	Fuhr	L15598	154
-	Yes	-	-	-	-	-	-	-	-	35	92	Fuhr	L16219	32
-	Yes	-	-	-	2	-	-	2	-	35	92	Fuhr	L18043	155
-	Yes	-	-	-	2	-	-	2	-	35	92	Fuhr	L18355	150

Centre Section			Number Of Locking Mechanisms							Miscellaneous			Code	Page Number
Latch Only	Latch & Dead	Latch & Hook	Dead Bolt	Pin	Hooks	Pin & Hook	Mushroom	Roller	Slider	Backset	Centres	Manufacturer		
-	Yes	-	-	-	4	-	-	-	-	35	92	Fuhr	L18356	149
-	Yes	-	-	2	-	-	-	2	-	35	92	Fuhr	L18357	148
-	Yes	-	-	-	2	-	-	2	-	35	92	Fuhr	L18358	147
-	Yes	-	-	-	-	-	2	2	-	35	92	Fuhr	L18359	146
-	Yes	-	-	-	-	-	-	4	-	45	92	Fuhr	L15593	154
-	Yes	-	-	-	-	-	-	-	-	45	92	Fuhr	L16220	32
-	Yes	-	2	-	1	-	-	-	-	35	68	Fullex	L15431	164
-	Yes	-	2	-	-	-	-	-	-	35	68	Fullex	L15432	163
-	Yes	-	-	-	-	-	-	-	-	35	68	Fullex	L15434	33
-	Yes	-	-	-	-	-	-	-	-	35	68	Fullex	L15436	34
-	Yes	-	-	-	2	-	-	-	-	35	92	Fullex	L17404	159
-	Yes	-	-	-	-	-	-	-	-	35	92	Fullex	L18287	33
-	Yes	-	2	-	-	-	-	-	-	35	92-70	Fullex	L17405	157
-	Yes	-	-	-	-	-	-	-	-	45	68	Fullex	L15433	33
-	Yes	-	-	-	2	-	-	-	-	45	92	Fullex	L17406	159
-	Yes	-	-	-	-	-	-	-	-	45	92	Fullex	L18286	33
-	Yes	-	2	-	-	-	-	-	-	45	92-62	Fullex	L17407	157
-	Yes	-	2	-	-	-	-	-	-	45	92-62	Fullex	L18360	162
-	Yes	-	-	-	2	-	-	-	-	55	92	Fullex	L17408	159
-	Yes	-	2	-	-	-	-	-	-	55	92-62	Fullex	L17409	157
-	Yes	-	2	-	-	-	-	-	-	45	92	Gridlock	L18363	172
-	Yes	-	2	-	-	-	-	-	-	45	92-62	Gridlock	L18364	171
-	Yes	-	-	-	-	-	-	4	-	28	92	GU	L11747	188
-	Yes	-	2	-	-	-	-	-	-	28	92	GU	L11749	182
-	Yes	-	-	-	2	-	-	-	-	28	92	GU	L11751	185
-	Yes	-	-	-	-	-	-	-	-	28	92	GU	L16216	36
-	Yes	-	2	-	-	-	-	-	-	28	92	GU	L16436	183
-	Yes	-	-	-	-	-	-	2	-	28	92	GU	L18368	207
-	Yes	-	-	-	-	-	2	2	-	28	92	GU	L18373	202
-	Yes	-	-	-	-	-	-	4	-	35	92	GU	L11748	188
-	Yes	-	2	-	-	-	-	-	-	35	92	GU	L11750	182
-	Yes	-	-	-	2	-	-	-	-	35	92	GU	L11752	185
-	Yes	-	2	-	-	-	-	-	-	35	92	GU	L11756	180
-	Yes	-	-	-	2	-	-	2	-	35	92	GU	L15340	186
-	Yes	-	-	-	2	-	-	-	-	35	92	GU	L15351	208
-	Yes	-	-	-	-	-	-	-	-	35	92	GU	L16227	36
-	Yes	-	-	-	2	-	-	-	-	35	92	GU	L16396	190
-	Yes	-	-	-	2	-	-	2	-	35	92	GU	L16397	192
-	Yes	-	2	-	-	-	-	-	-	35	92	GU	L16437	183
-	Yes	-	2	-	-	-	-	4	-	35	92	GU	L18365	205
-	Yes	-	-	-	-	-	-	2	-	35	92	GU	L18366	206
-	Yes	-	-	-	-	-	-	2	-	35	92	GU	L18367	207
-	Yes	-	-	-	-	-	2	2	-	35	92	GU	L18369	204

Centre Section			Number Of Locking Mechanisms							Miscellaneous			Code	Page Number
Latch Only	Latch & Dead	Latch & Hook	Dead Bolt	Pin	Hooks	Pin & Hook	Mushroom	Roller	Slider	Backset	Centres	Manufacturer		
-	Yes	-	-	-	2	-	-	2	-	35	92	GU	L18370	177
-	Yes	-	-	-	2	-	-	2	-	35	92	GU	L18371	176
-	Yes	-	-	-	-	-	2	2	-	35	92	GU	L18372	202
-	Yes	-	-	-	2	-	-	-	-	40	92	GU	L15341	208
-	Yes	-	-	-	2	-	-	-	-	45	92	GU	L15342	208
-	Yes	-	-	-	-	-	-	4	-	45	92	GU	L15618	188
-	Yes	Yes	-	-	2	-	-	3	-	35	92-62	Kenrick	L18374	209
-	Yes	-	-	-	-	-	-	4	-	25	92	KFV	L15602	210
-	Yes	-	-	-	-	-	-	4	-	30	92	KFV	L11763	214
-	Yes	-	-	-	-	-	-	4	-	35	92	KFV	L11764	214
-	Yes	-	-	-	-	-	-	4	-	35	92	KFV	L15601	210
-	Yes	-	-	2	-	-	-	-	-	35	92	KFV	L15603	216
-	Yes	-	-	-	-	-	-	4	-	35	92	KFV	L15604	215
-	Yes	-	-	2	-	-	-	-	-	35	92	KFV	L17416	218
-	Yes	-	-	-	2	-	-	-	-	35	92	KFV	L17417	217
-	Yes	-	-	-	-	-	-	4	-	45	92	KFV	L15605	210
-	Yes	-	-	2	-	-	-	-	-	45	92	KFV	L17418	216
-	Yes	-	-	-	-	-	-	-	-	35	92	Lockmaster	L15360	39
-	Yes	-	-	-	-	2	-	4	-	35	92	Lockmaster	L15389	220
-	Yes	-	-	-	2	-	-	-	-	35	92	Lockmaster	L15391	223
-	Yes	-	2	-	-	-	-	-	-	35	92	Lockmaster	L15396	221
-	Yes	-	-	-	-	2	-	2	-	35	92	Lockmaster	L15397	219
-	Yes	-	-	-	-	-	-	-	-	35	92	Lockmaster	L17848	39
-	Yes	-	-	-	-	-	-	-	-	45	68	Lockmaster	L17849	39
-	Yes	-	-	-	-	-	-	-	-	45	92	Lockmaster	L15361	39
-	Yes	-	-	-	-	2	-	2	-	45	92-62	Lockmaster	L15390	225
-	Yes	-	2	-	-	-	-	-	-	45	92-62	Lockmaster	L15395	222
-	Yes	-	-	-	-	2	-	4	-	45	92-62	Lockmaster	L15398	226
-	Yes	-	-	-	2	-	-	2	-	35	92	Maco	L15345	235
-	Yes	-	-	-	2	-	-	2	-	35	92	Maco	L15346	230
-	Yes	-	-	-	-	-	-	4	-	35	92	Maco	L15392	232
-	Yes	-	-	-	-	-	-	-	-	35	92	Maco	L16214	40
-	Yes	-	-	-	4	-	-	-	-	35	92	Maco	L16398	231
-	Yes	-	-	-	-	-	-	-	-	35	92	Mila	L15419	42
-	Yes	-	-	-	-	-	-	2	-	35	92	Mila	L18376	250
-	Yes	-	-	-	2	-	-	4	-	35	92	Mila	L18377	238
-	Yes	-	-	-	2	-	-	2	-	35	92	Mila	L18378	237
-	Yes	-	-	-	-	-	-	4	-	35	92-62	Mila	L18375	252
-	Yes	-	-	-	2	-	-	4	-	35	92-62	Mila	L18379	251
-	Yes	-	-	-	-	-	-	-	-	35	92-70	Mila	L18291	42
-	Yes	Yes	2	-	2	-	-	-	-	35	117-86	Millenco	L15611	253
-	Yes	Yes	-	-	-	-	-	2	-	35	117-86	Millenco	L16395	254
-	Yes	-	-	-	-	-	-	-	-	35	92	Roto	L17419	-

Centre Section			Number Of Locking Mechanisms							Miscellaneous			Code	Page Number
Latch Only	Latch & Dead	Latch & Hook	Dead Bolt	Pin	Hooks	Pin & Hook	Mushroom	Roller	Slider	Backset	Centres	Manufacturer		
-	Yes	-	-	-	2	-	-	-	-	35	92-62	Roto	L15337	260
-	Yes	-	-	-	2	-	-	-	2	35	92-62	Roto	L18380	261
-	Yes	Yes	-	-	2	-	-	4	-	35	92	Safeware	L15358	263
-	Yes	Yes	-	-	2	-	-	-	-	35	92-62	Safeware	L18381	262
-	Yes	Yes	-	-	2	-	-	2	-	35	92-62	Securstyle	L18382	264
-	Yes	-	2	-	-	-	-	-	-	50	85	Ucem	L18361	266
-	Yes	-	-	6	-	-	-	-	-	50	85	Ucem	L18362	267
-	Yes	-	-	-	2	-	-	2	-	35	92	Vitawin	L15359	268
-	Yes	-	-	-	4	-	-	-	-	35	92	Winkhaus	L15354	283
-	Yes	-	-	-	2	-	-	-	-	35	92	Winkhaus	L15355	281
-	Yes	-	-	-	2	-	-	2	-	35	92	Winkhaus	L17410	282
-	Yes	Yes	-	-	2	-	-	2	-	35	92	Winkhaus	L17411	286
-	Yes	-	-	-	-	-	-	-	-	35	92	Winkhaus	L18292	51
-	Yes	-	4	-	-	-	-	-	-	35	92	Winkhaus	L18383	104
-	Yes	-	-	-	4	-	-	-	-	45	92	Winkhaus	L15352	283
-	Yes	-	-	-	2	-	-	-	-	45	92	Winkhaus	L15353	281
-	Yes	-	-	-	2	-	-	-	-	45	92	Winkhaus	L17412	285
-	Yes	-	-	-	-	-	-	-	-	45	92	Winkhaus	L18293	51
-	Yes	-	4	-	-	-	-	-	-	45	92	Winkhaus	L18384	104
-	Yes	-	-	-	2	-	-	-	-	55	92	Winkhaus	L17413	285
-	Yes	Yes	-	-	2	-	-	-	-	35	92	Yale	L18706	107
-	Yes	Yes	-	-	2	-	-	-	-	35	92	Yale	L18707	105
-	Yes	Yes	-	-	-	-	2	2	-	35	92	Yale	L18709	108
-	Yes	Yes	-	-	-	-	-	-	-	35	92	Yale	L18755	55
-	Yes	-	-	-	-	-	-	-	-	35	92	Yale	L18756	54
-	Yes	-	-	-	-	-	-	-	-	35	92	Yale	L18758	53
-	Yes	Yes	-	-	-	-	-	-	-	35	92	Yale	L18760	55
-	Yes	-	-	-	-	-	-	-	-	35	92	Yale	L18761	53
-	Yes	-	-	-	-	-	-	-	-	35	92	Yale	L18762	54
Yes	Yes	-	-	-	-	-	-	-	-	35	92	Yale	L18763	-
-	Yes	Yes	-	-	-	-	-	-	-	35	92-62	Yale	L17462	-
-	Yes	Yes	-	-	2	-	-	-	-	45	92	Yale	L18704	106
-	Yes	Yes	-	-	2	-	-	-	-	45	92	Yale	L18705	107
-	Yes	Yes	-	-	-	-	2	2	-	45	92	Yale	L18708	108
-	Yes	-	-	-	-	-	-	-	-	45	92	Yale	L18757	54
-	Yes	-	-	-	-	-	-	-	-	45	92	Yale	L18759	53
-	Yes	-	-	-	-	-	-	4	-	30	92	AGB	L20456	111
-	Yes	-	-	-	2	-	-	-	-	35	92	Avantis	L24011	112
-	Yes	-	-	-	2	-	-	-	-	35	92	Avantis	L24013	112
-	Yes	-	-	-	2	-	-	2	-	35	92	Avantis	L24012	113
-	Yes	-	-	-	2	-	-	2	-	35	92	Avantis	L24014	113
-	Yes	-	-	-	2	-	-	-	-	45	92	Avantis	L24015	114
-	Yes	-	-	-	2	-	-	-	-	45	92	Avantis	L24016	114

Centre Section			Number Of Locking Mechanisms							Miscellaneous			Code	Page Number
Latch Only	Latch & Dead	Latch & Hook	Dead Bolt	Pin	Hooks	Pin & Hook	Mushroom	Roller	Slider	Backset	Centres	Manufacturer		
-	Yes	-	-	-	4	-	-	4	-	35	92-62	Avocet	L20460	115
-	Yes	-	-	-	4	-	-	4	-	35	92	Mila	L20465	-
-	Yes	-	2	-	-	-	-	-	-	35	92	Era	L20515	125
-	Yes	-	2	-	-	-	-	-	-	55	92	Era	L20516	125
-	Yes	-	-	7	-	-	-	-	-	50	72	Era	L20512	126
-	Yes	-	-	7	-	-	-	-	-	55	72	Era	L20513	126
-	Yes	-	-	7	-	-	-	-	-	65	72	Era	L20514	126
Yes	Yes	-	-	-	1	-	2	1	-	35	70	Ferco	L20522	133
Yes	Yes	-	-	-	2	-	-	-	-	40	70	Ferco	L20519	135
Yes	Yes	-	-	-	2	-	-	-	-	50	70	Ferco	L20521	135
Yes	Yes	-	-	-	-	-	-	-	-	28	70	Ferco	L20517	137
Yes	Yes	-	-	-	-	-	-	-	-	25	70	Ferco	L20518	137
Yes	Yes	-	-	-	2	-	-	-	-	40	70	Ferco	L20520	138
Yes	Yes	-	1	-	-	-	-	2	-	35	70	Ferco	L20523	139
Yes	Yes	-	-	-	-	-	-	2	-	28	72	Fuhr	L20536	156
Yes	Yes	-	-	-	-	-	-	2	-	28	92	Fuhr	L20538	156
Yes	Yes	-	-	-	-	-	-	2	-	35	72	Fuhr	L20537	156
Yes	Yes	-	-	-	-	-	-	2	-	35	92	Fuhr	L20539	156
-	Yes	-	2	-	-	-	-	-	-	35	68	Fullex	L21735	163
-	Yes	-	-	-	-	2	-	2	-	35	92	Fullex	L22605	165
-	Yes	-	-	-	-	2	-	4	-	35	92	Fullex	L22603	166
-	Yes	-	-	-	-	2	-	2	-	35	92-62	Fullex	L22604	167
-	Yes	-	-	-	-	2	-	4	-	35	92-62	Fullex	L22602	168
-	Yes	-	-	-	-	-	-	2	-	40	70	Ferco	L20524	141
-	Yes	-	-	-	-	-	-	2	-	50	70	Ferco	L20525	141
-	Yes	-	-	-	2	-	-	4	-	35	92-62	GU	L24039	173
-	Yes	-	-	-	2	-	-	4	-	35	92-62	GU	L24046	174
-	Yes	-	-	-	-	-	-	-	-	35	92-62	GU	L24042	174
-	Yes	-	2	-	-	-	-	-	-	25	92	GU	L16403	175
-	Yes	-	-	-	-	-	-	4	-	28	92	GU	L20563	178
-	Yes	-	-	-	-	-	-	4	-	35	92	GU	L20564	178
-	Yes	-	-	-	2	-	-	-	-	28	92	GU	L20573	179
-	Yes	-	-	-	2	-	-	-	-	35	92	GU	L20574	179
-	Yes	-	-	-	-	-	-	2	-	40	70	Ferco	L23468	181
-	Yes	-	-	-	-	-	-	2	-	50	70	Ferco	L23469	181
-	Yes	-	2	-	-	-	-	-	-	45	92	GU	L23587	182
-	Yes	-	2	-	-	-	-	-	-	28	92	GU	L20565	184
-	Yes	-	2	-	-	-	-	-	-	35	92	GU	L20566	184
-	Yes	-	-	-	2	-	-	-	-	40	92	GU	L20582	187
-	Yes	-	-	-	2	-	-	-	-	45	92	GU	L22863	189
-	Yes	-	-	-	2	-	-	-	-	45	92	GU	L22864	189
-	Yes	-	-	-	2	-	-	-	-	35	92	GU	L20577	191
-	Yes	-	-	-	-	-	-	2	-	28	92	GU	L20579	193

Centre Section			Number Of Locking Mechanisms							Miscellaneous			Code	Page Number
Latch Only	Latch & Dead	Latch & Hook	Dead Bolt	Pin	Hooks	Pin & Hook	Mushroom	Roller	Slider	Backset	Centres	Manufacturer		
-	Yes	-	-	-	-	-	-	2	-	35	92	GU	L20580	193
-	Yes	-	-	-	-	-	-	2	-	35	92	GU	L20581	194
-	Yes	-	-	-	-	-	-	4	-	35	92	GU	L20576	195
-	Yes	-	-	-	2	-	-	-	-	28	92	GU	L20568	196
-	Yes	-	-	-	2	-	-	-	-	35	92	GU	L20569	196
-	Yes	-	-	-	-	-	-	4	-	28	92	GU	L20560	197
-	Yes	-	-	-	-	-	-	4	-	35	92	GU	L20561	197
-	Yes	-	-	-	-	-	-	4	-	45	92	GU	L20562	197
-	Yes	-	2	-	-	-	-	-	-	35	92	GU	L24348	198
-	Yes	-	2	-	-	-	-	-	-	45	92	GU	L24334	198
-	Yes	-	2	-	-	-	-	-	-	45	92	GU	L24335	198
-	Yes	-	2	-	-	-	-	-	-	55	92	GU	L24336	198
-	Yes	-	3	-	-	-	-	-	-	35	92	GU	L24333	200
-	Yes	-	3	-	-	-	-	-	-	45	92	GU	L24330	200
-	Yes	-	-	-	2	-	-	2	-	35	92	GU	L24338	201
-	Yes	-	-	-	2	-	-	2	-	35	92	GU	L24337	201
-	Yes	-	-	-	-	-	-	4	-	35	92	GU	L24329	203
-	Yes	-	-	-	2	-	-	-	-	35	92	KFV	L20610	211
-	Yes	-	-	-	2	-	-	-	-	45	92	KFV	L20607	211
-	Yes	-	-	-	-	2	-	-	-	35	92	KFV	L20616	212
-	Yes	-	-	-	-	2	-	-	-	35	92	KFV	L20617	213
-	Yes	-	-	-	-	-	-	4	-	35	92	Lockmaster	L24377	227
-	Yes	-	-	-	-	-	-	4	-	35	92-62	Lockmaster	L20618	-
-	Yes	-	-	-	-	-	-	-	-	35	92	Maco	L15343	233
-	Yes	-	-	-	2	-	-	2	-	35	92	Maco	L24529	234
-	Yes	-	-	2	-	-	-	-	-	35	92	Maco	L24436	236
-	Yes	-	-	-	2	-	-	2	-	35	92	Mila	L20647	239
-	Yes	-	-	-	-	-	2	2	-	35	92	Mila	L20643	240
-	Yes	-	-	-	-	-	-	4	-	35	92	Mila	L20644	241
-	Yes	-	-	-	2	-	-	4	-	35	92	Mila	L20649	242
-	Yes	-	-	-	2	-	-	2	-	35	92-70	Mila	L20648	243
-	Yes	-	-	-	-	-	2	2	-	35	92-70	Mila	L20645	244
Yes	Yes	-	-	-	2	-	-	2	-	35	92	Mila	L20646	245
Yes	Yes	-	-	-	-	-	2	2	-	35	92	Mila	L20642	246
Yes	Yes	-	-	-	-	-	-	2	-	35	92	Mila	L20639	247
Yes	Yes	-	-	-	-	-	-	4	-	35	92	Mila	L20641	248
Yes	Yes	-	-	-	-	-	-	4	-	25	92	Mila	L20634	249
Yes	Yes	-	-	-	-	-	-	4	-	35	92	Mila	L20636	249
-	Yes	Yes	2	-	2	-	-	2	-	35	95-65	Millenco	L23679	255
-	Yes	Yes	2	-	2	-	-	2	-	35	92-62	Millenco	L23709	256
-	Yes	-	-	-	2	-	2	-	-	35	92	Roto	L23937	257
-	Yes	-	-	-	2	-	-	-	-	35	92	Roto	L23936	258
-	Yes	-	-	-	-	-	-	4	-	35	92	Roto	L23938	259

## Multi Point Lock Identifier

Centre Section			Number Of Locking Mechanisms							Miscellaneous			Code	Page Number
Latch Only	Latch & Dead	Latch & Hook	Dead Bolt	Pin	Hooks	Pin & Hook	Mushroom	Roller	Slider	Backset	Centres	Manufacturer		
-	Yes	-	2	-	-	-	-	-	-	35	92	Sobinco	L20658	265
-	Yes	-	-	-	2	-	-	2	-	35	92	Cego	L20463	121
-	Yes	-	-	-	2	-	-	2	-	35	92-70	Cego	L20462	122
-	Yes	Yes	-	-	2	-	-	2	-	35	92	Cego	L20464	123
-	Yes	-	-	-	2	-	-	-	-	35	92	Winkhaus	L23472	269
-	Yes	-	-	-	2	-	-	-	-	35	92	Winkhaus	L23471	269
-	Yes	-	-	-	2	-	-	-	-	45	92	Winkhaus	L24799	269
-	Yes	-	-	-	2	-	-	-	-	45	92	Winkhaus	L24798	269
-	Yes	-	-	-	2	-	-	-	-	45	92	Winkhaus	L23474	270
-	Yes	-	-	-	2	-	-	-	-	45	92	Winkhaus	L23473	270
-	Yes	-	-	-	2	-	-	-	-	55	92	Winkhaus	L23476	270
-	Yes	-	-	-	2	-	-	-	-	55	92	Winkhaus	L23475	270
-	Yes	-	-	-	2	-	-	-	-	45	92	Winkhaus	L23532	271
-	Yes	-	-	-	2	-	-	-	-	45	92	Winkhaus	L23531	271
-	Yes	-	-	-	2	-	-	-	-	55	92	Winkhaus	L23534	271
-	Yes	-	-	-	2	-	-	-	-	55	92	Winkhaus	L23533	271
-	Yes	-	-	-	2	-	-	-	-	35	92	Winkhaus	L24358	272
-	Yes	-	-	-	2	-	-	-	-	45	92	Winkhaus	L24359	272
-	Yes	-	-	-	2	-	-	-	-	55	92	Winkhaus	L24360	272
-	Yes	-	-	-	2	-	-	-	-	45	92	Winkhaus	L24361	273
-	Yes	-	-	-	2	-	-	-	-	55	92	Winkhaus	L24362	273
-	Yes	-	-	-	2	-	-	-	-	35	92	Winkhaus	L24352	274
-	Yes	-	-	-	2	-	-	-	-	35	92	Winkhaus	L24353	274
-	Yes	-	-	-	2	-	-	-	-	45	92	Winkhaus	L24354	274
-	Yes	-	-	-	2	-	-	-	-	45	92	Winkhaus	L24355	274
-	Yes	-	-	-	2	-	-	-	-	45	92	Winkhaus	L24356	275
-	Yes	-	-	-	2	-	-	-	-	45	92	Winkhaus	L24357	275
-	Yes	-	-	-	2	-	-	-	-	35	92	Winkhaus	L24659	276
-	Yes	-	-	-	2	-	-	-	-	35	92	Winkhaus	L24658	276
-	Yes	-	-	-	2	-	-	-	-	45	92	Winkhaus	L24661	276
-	Yes	-	-	-	2	-	-	-	-	45	92	Winkhaus	L24660	276
-	Yes	-	-	-	4	-	-	-	-	35	92	Winkhaus	L24662	277
-	Yes	-	-	-	4	-	-	-	-	35	92	Winkhaus	L24663	277
-	Yes	-	-	-	4	-	-	-	-	28	92	Winkhaus	L22612	280
-	Yes	-	-	-	2	-	-	-	-	45	92	Winkhaus	L23673	284
-	Yes	-	-	-	2	-	-	-	-	35	92	Winkhaus	L22613	285
-	Yes	-	2	-	-	-	-	-	-	35	92-62	Yale	L20690	290
-	Yes	-	-	-	2	-	-	-	-	35	92-62	Yale	L20691	291
-	Yes	-	-	-	-	-	-	4	-	35	92-62	Yale	L20693	292
-	Yes	-	2	-	-	-	-	-	-	35	92-62	Yale	L20692	293
-	Yes	-	-	-	2	-	-	2	-	35	92-62	Yale	L20694	294
-	Yes	-	-	-	-	-	-	4	-	35	92-62	Yale	L20695	294



# Door

---

Centre Case	<b>21 - 92</b>
Repair Lock	<b>93 - 108</b>
Full Units	<b>109 - 302</b>
French Door	<b>303 - 310</b>
Furniture	<b>311 - 386</b>
Cylinders	<b>387 - 416</b>
Panic Hardware	<b>417 - 436</b>
Electronic	<b>437 - 458</b>
Secondary Security	<b>459 - 480</b>
Shootbolts	<b>481 - 496</b>
Keeps & Strikes	<b>497 - 522</b>
Accessories	<b>523 - 558</b>





# CURE YOUR UPVC HEADACHE

**UPVC  
Retrofit**  
made easy



chameleon® provides **fast acting relief** for all your UPVC related headaches

chameleon® adaptable hardware is a range of retrofit products designed to suit UPVC or timber doors and windows. All products throughout the range have been designed with the speed and ease of fitting in mind, chameleon® isn't a 'like for like' product, but a solution to complete a job in one visit.

[www.chameleonhardware.co.uk](http://www.chameleonhardware.co.uk)

» Door

# Centre Case

---

Overnight Locks	<b>22 - 26</b>
Gearbox	<b>27 - 58</b>
Specialist	<b>59 - 91</b>

## CHAMELEON Overnight Lock/Gearbox



### Features

- Easy to fit
- Latch & Deadbolt
- 16mm Faceplate - Suitable for UPVC and composite doors
- Supplied with adjustable strike & packers
- Various locking point extension pieces available

### Overview

This repair lock euro centre case can be used either stand alone as an overnight lock or as the central component of the Chameleon Modular Repair Lock System. It has a 16mm faceplate so is ideally suited for use on UPVC and composite doors.

### Operation

A - Lift lever to engage locking mechanisms and then one full turn of the cylinder to lock. One full turn of the key then push down on the lever to unlock.

### Associated Products

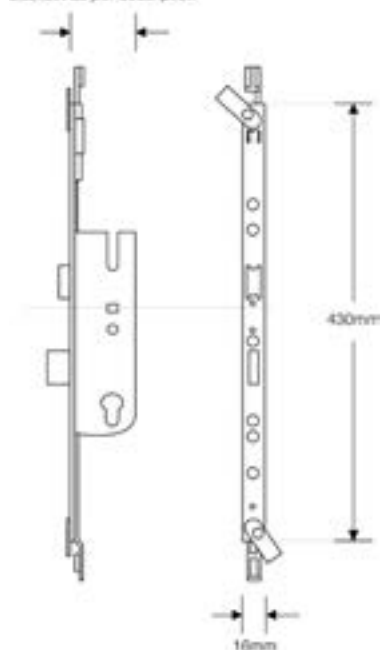
**CHAMELEON Adaptable Centre Latch And Deadbolt Keep**  
CH10303 Hook Bolt Keep

**CHAMELEON PRO Adaptable Door Handle**

CH30025 White  
CH30026 Silver  
CH30027 Polished Silver  
CH30028 Gold  
CH30068 Black

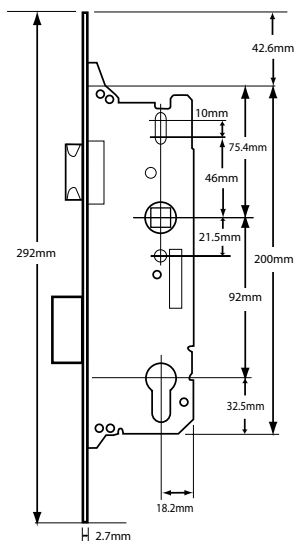


Backset as per description



Product Code	Backset	Centre Case	Centres	Spindle
CH30040	25mm	Latch & Deadbolt	92mm	Single
CH30041	28mm	Latch & Deadbolt	92mm	Single
CH30042	30mm	Latch & Deadbolt	92mm	Single
CH30045	35mm	Latch & Deadbolt	92mm	Split
CH30043	40mm	Latch & Deadbolt	92mm	Split
CH30044	45mm	Latch & Deadbolt	92mm	Split

## FUHR Lever Operated Latch & Deadbolt - Overnight Lock



### Features

- Euro Profile Lock Case
- Latch & Deadbolt
- 16mm Faceplate
- Single Spindle

### Operation

C - One full turn of the key to lock and one full turn of the key then push down on the lever to unlock.

### Associated Products

- ASEC Lever/Lever 92mm Centres 220mm
- Backplate UPVC Door Handles
- L18404 Black
- L18405 Chrome
- L18406 Gold
- L18407 White

Product Code	Backset	Centre Case	Centres	Mfr Ref.	Spindle
L17984	35mm	Latch & Deadbolt	92mm	350 42 3803 00 350	Single
L17985	45mm	Latch & Deadbolt	92mm	450 42 3803 00 450	Single

## KFV 040740 Latch & Deadbolt Single Spindle Sashlock

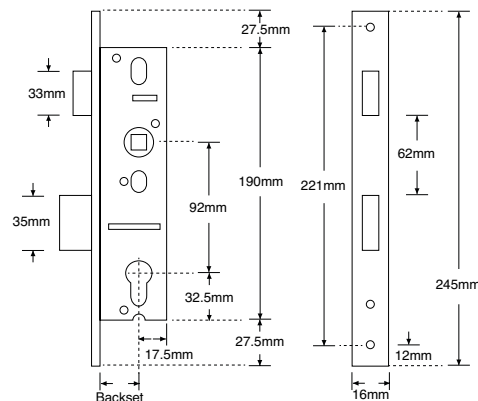


### Features

- Deadbolt & reversible latchbolt
- 16mm faceplate
- 35mm Backset
- 92mm Centres
- Euro Profile

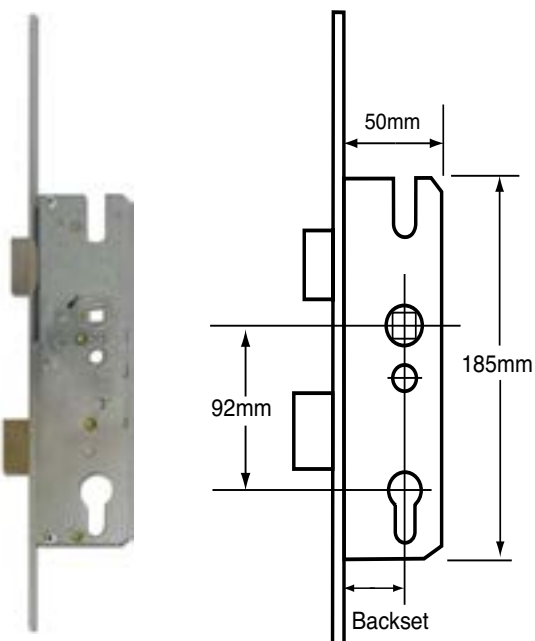
### Description

The KFV 040740 is a mortice Sashlock with a deadbolt and reversible latchbolt, suitable for standard lever/lever or lever/pull pad handles with PZ 92. This product has a hammerlack finish, 16mm wide chrome faceplate, 35mm backset and 92mm centres. The latchbolt can be operated by either a handle or cylinder.



Product Code	Backset	Centre Case	Centres	Mfr Ref.	Spindle
L24006	35mm	Latch & Deadbolt	92mm	40740	Single

## WINKHAUS Lever Operated Latch & Deadbolt - Overnight Lock



### Features

- Euro Profile Lock Case
- Latch & Deadbolt
- 16mm Faceplate
- Single Spindle

### Operation

C - One full turn of the key to lock and one full turn of the key then push down on the lever to unlock.

### Associated Products

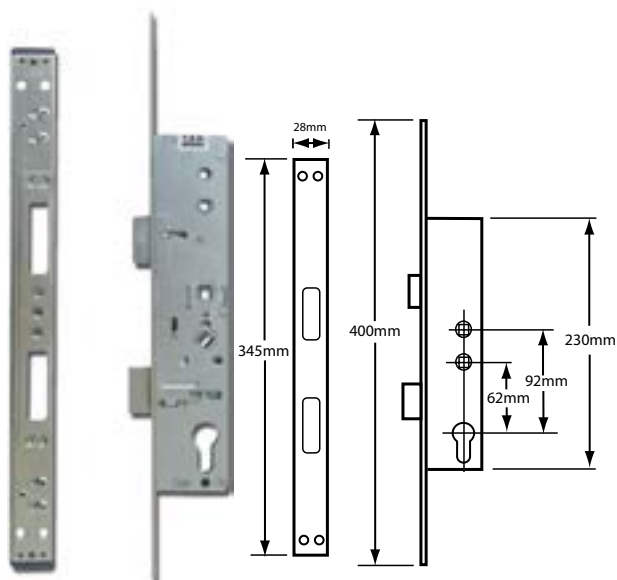
ASEC Lever/Lever 92mm Centres 220mm

Backplate UPVC Door Handles

L18404	Black
L18405	Chrome
L18406	Gold
L18407	White

Product Code	Backset	Centre Case	Centres	Mfr Ref.	Spindle
L16212	35mm	Latch & Deadbolt	92mm	2946297	Split
L16213	45mm	Latch & Deadbolt	92mm	2947214	Split

## YALE Doormaster Lever Operated Latch & Deadbolt 16mm Twin Spindle Overnight Lock To Suit Lockmaster



### Features

- Euro Profile Lock Case
- Latch & Deadbolt
- 16mm Faceplate
- Twin Spindle

### Operation

C - One full turn of the key to lock and one full turn of the key then push down on the lever to unlock.

### Associated Products

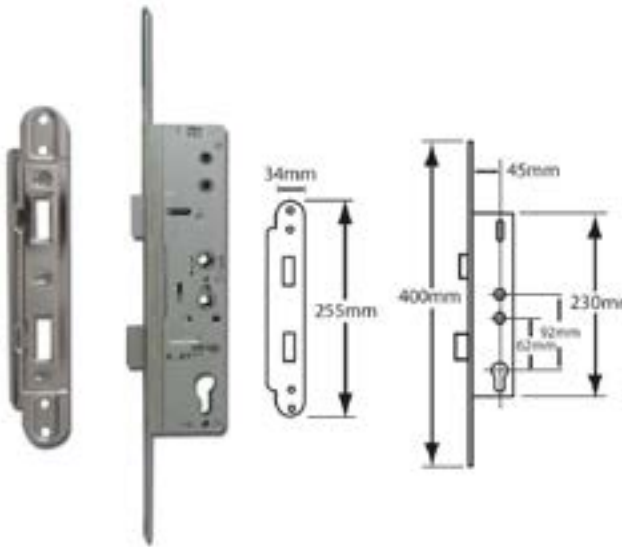
ASEC Lever/Lever 92mm Centres 240mm

Backplate UPVC Door Handles

L18398	Chrome
L18399	Gold
L18400	White

Product Code	Backset	Centre Case	Centres	Mfr Ref.	Spindle
L18748	35mm	Latch & Deadbolt	92/62mm	YDM ONPVC D35DF	Twin
L18749	45mm	Latch & Deadbolt	92/62mm	YDM ONPVC D45DF	Twin

## YALE Doormaster Lever Operated Latch & Deadbolt 20mm Twin Spindle Overnight Lock To Suit Lockmaster



### Features

- Euro Profile Lock Case
- Latch & Deadbolt
- 20mm Faceplate
- Twin Spindle
- Faceplate and strike to suit timber doors

### Operation

C - One full turn of the key to lock and one full turn of the key then push down on the lever to unlock.

### Notes

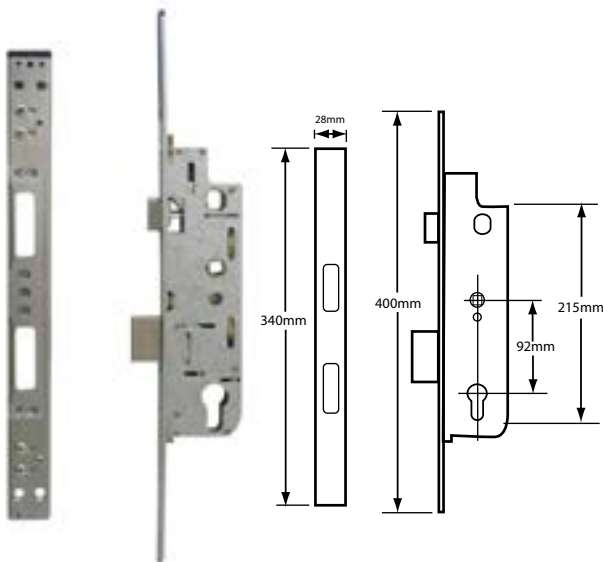
20mm faceplate to suit timber doors.

### Associated Products

- ASEC Lever/Lever 92mm Centres 240mm  
Backplate UPVC Door Handles
- |        |        |
|--------|--------|
| L18398 | Chrome |
| L18399 | Gold   |
| L18400 | White  |

Product Code	Backset	Centre Case	Centres	Mfr Ref.	Spindle
L18750	45mm	Latch & Deadbolt	92/62mm	YDM ONFMB D45DF	Twin

## YALE Doormaster Lever Operated Latch & Deadbolt Single Spindle Overnight Lock To Suit GU



### Features

- Euro Profile Lock Case
- Latch & Deadbolt
- 16mm Faceplate
- Single Spindle

### Operation

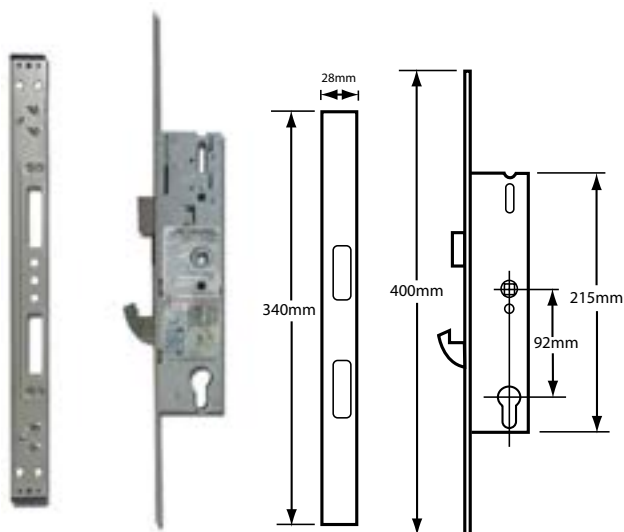
C - One full turn of the key to lock and one full turn of the key then push down on the lever to unlock.

### Associated Products

- ASEC Lever/Lever 92mm Centres 220mm  
Backplate UPVC Door Handles
- |        |        |
|--------|--------|
| L18404 | Black  |
| L18405 | Chrome |
| L18406 | Gold   |
| L18407 | White  |

Product Code	Backset	Centre Case	Centres	Mfr Ref.	Spindle
L18754	35mm	Latch & Deadbolt	92mm	YDM ONPVC D35TF	Single

## YALE Doormaster Lever Operated Latch & Hookbolt 16mm Split Spindle Overnight Lock



### Features

- Euro Profile Lock Case
- Latch & Hookbolt
- 16mm Faceplate
- Split Spindle

### Operation

C - One full turn of the key to lock and one full turn of the key then push down on the lever to unlock.

### Associated Products

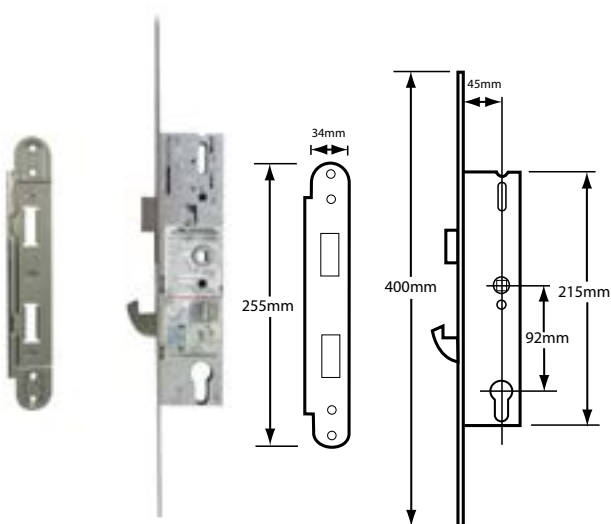
ASEC Lever/Lever 92mm Centres 220mm

Backplate UPVC Door Handles

L18404	Black
L18405	Chrome
L18406	Gold
L18407	White

Product Code	Backset	Centre Case	Centres	Mfr Ref.	Spindle
L18751	35mm	Latch & Hookbolt	92mm	YDM ONPVC H35SF	Split
L18752	45mm	Latch & Hookbolt	92mm	YDM ONPVC H45SF	Split

## YALE Doormaster Lever Operated Latch & Hookbolt 20mm Split Spindle Overnight Lock



### Features

- Euro Profile Lock Case
- Latch & Hookbolt
- 20mm Faceplate
- Split spindle
- Faceplate and strike to suit timber doors

### Operation

C - One full turn of the key to lock and one full turn of the key then push down on the lever to unlock.

### Notes

20mm faceplate to suit timber doors.

### Associated Products

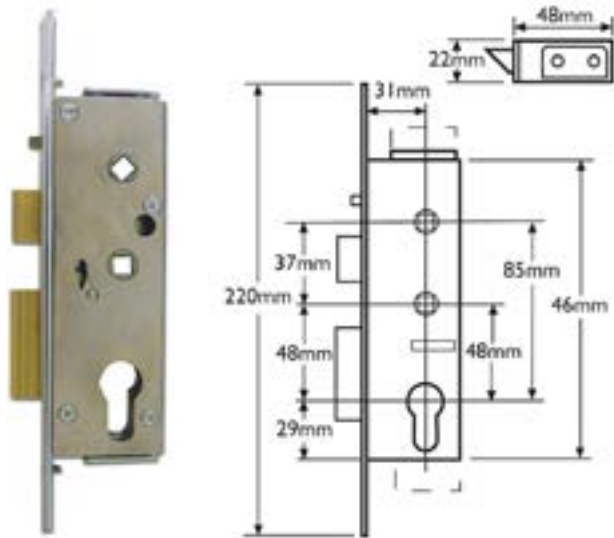
ASEC Lever/Lever 92mm Centres 220mm

Backplate UPVC Door Handles

L18404	Black
L18405	Chrome
L18406	Gold
L18407	White

Product Code	Backset	Centre Case	Centres	Mfr Ref.	Spindle
L18753	45mm	Latch & Hookbolt	92mm	YDM ONTMB H45SF	Split

## ABT GIBBONS Lever Operated Latch & Deadbolt - Centre Case



### Features

- Reversible Latch Bolt
- 48mm & 85mm Centres
- Threaded Brackets
- Anti-thrust Snib
- Euro Profile Lock Case
- Latch & Deadbolt

### Operation

C - One full turn of the key to lock and one full turn of the key then push down on the lever to unlock, latch bolt can also be withdrawn by key.

### Notes

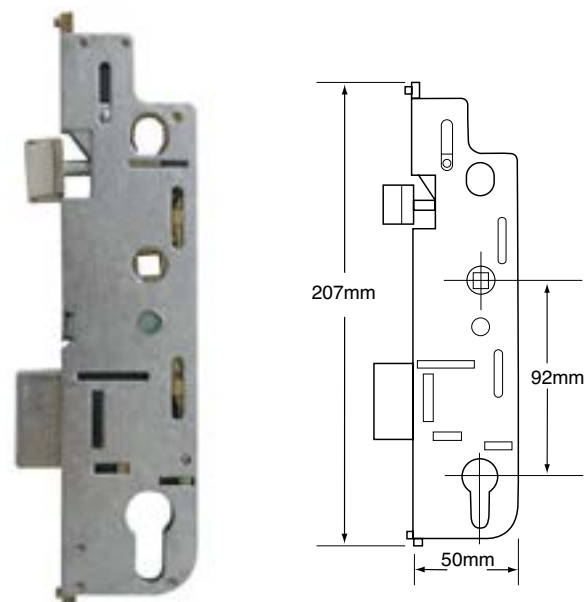
A replacement lock case predominantly used on UPVC doors, usually there are no markings on the faceplate to indicate the manufacturer

### Associated Products

- ASEC Lever/Lever 48 Centres 230mm
- Backplate UPVC Door Handles
- AS10193 White
- AS10194 Gold

Product Code	Backset	Case Height	Centres	Faceplate	Mfr Ref.	Spindle
L17749	31mm	146mm	85-45mm	20mm	ABT31GB	Twin

## ASEC GU Copy Lever Operated Latch & Deadbolt Old Style Gearbox



### Features

- Single Spindle
- Latch & Deadbolt
- Gearbox Only

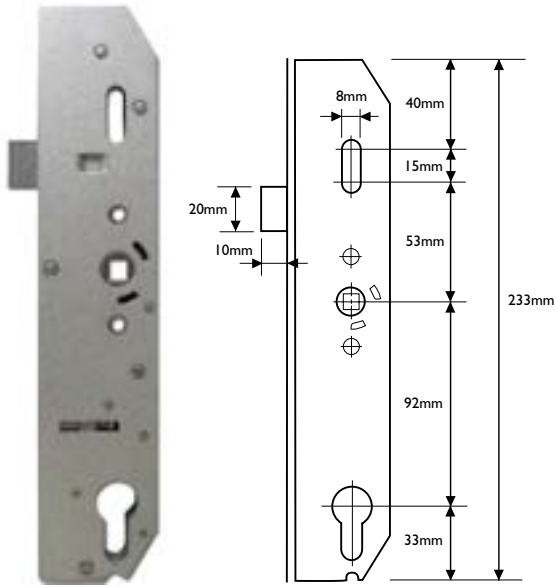
### Overview

Lever operated latch & deadbolt single spindle GU "Old Style" copy gearbox by Asec.

Product Code	Backset	Centre Case	Centres	Spindle
L24435	30mm	Latch & Deadbolt	92mm	Single
L18289	35mm	Latch & Deadbolt	92mm	Single



## ASEC MILA Copy Latch Only Gearbox



## Features

- Euro Profile Lock Case
- Latch Only
- Centre Gearbox Only
- Single Spindle

## Overview

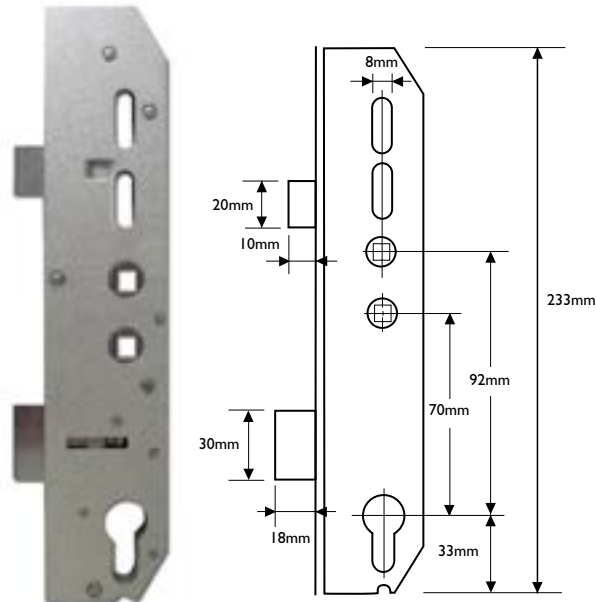
Asec single spindle lever operated latch only centre case to suit Mila. This euro profile lock case is available with 25mm, 28mm or 35mm backset.

## Operation

A - Lift lever to engage locking mechanisms and then one full turn of the cylinder to lock. One full turn of the key then push down on the lever to unlock.

Product Code	Backset	Centre Case	Centres	Mfr Ref.	Spindle
L24745	25mm	Latch Only	92mm	GRBX72592	Single
L24746	28mm	Latch Only	92mm	GRBX72892	Single
L18290	35mm	Latch Only	92mm	GRBX43592NODB	Single

## ASEC Mila Copy Lever Operated Latch &amp; Deadbolt Twin Spindle Gearbox



## Features

- Euro Profile Lock Case
- Latch & Deadbolt
- Centre Gearbox Only
- Twin Spindle

## Operation

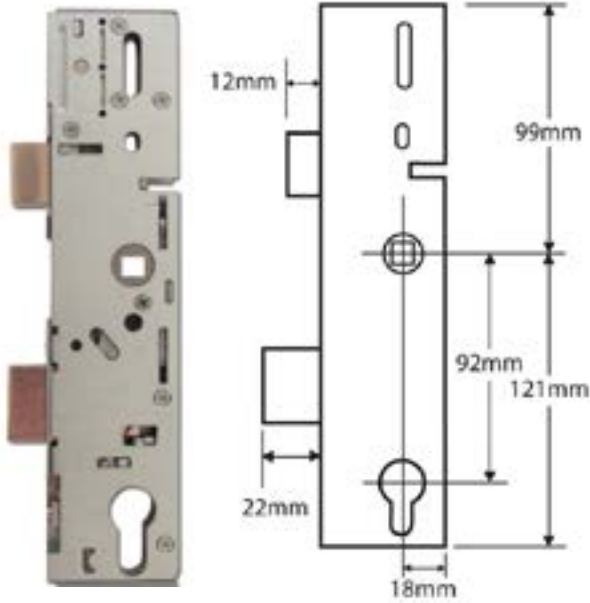
A - Lift lever to engage locking mechanisms and then one full turn of the cylinder to lock. One full turn of the key then push down on the lever to unlock.

## Associated Products

HOPPE UPVC Lever / Moveable Pad Door Furniture 76G/3623N/1710  
 L17463 92mm/70mm Centres Gold  
 L17464 92mm/70mm Centres Silver

Product Code	Backset	Centre Case	Centres	Mfr Ref.	Spindle
L23680	35mm	Latch & Deadbolt	92/70mm	3152 (Copy)	Twin

ERA Lever Operated Latch & Deadbolt Split Spindle - Centre Case



Features

- Central brass deadbolt throws 22mm to prevent unauthorised entry
- Can be used with a wide range of euro cylinders
- Suitable for left or right handed doors
- Can be used with lever/lever or lever/pad handles
- Euro Profile Lock Case

Operation

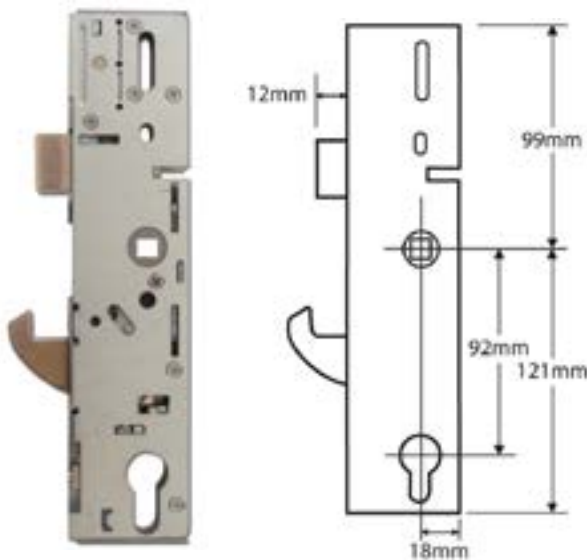
A - Lift lever to engage locking mechanisms and then one full turn of the cylinder to lock. One full turn of the key then push down on the lever to unlock.

Associated Products

- ASEC Lever/Lever 92mm Centres 220mm  
 Backplate UPVC Door Handles
- |        |        |
|--------|--------|
| L18404 | Black  |
| L18405 | Chrome |
| L18406 | Gold   |
| L18407 | White  |

Product Code	Backset	Centre Case	Centres	Mfr Ref.	Spindle
L23675	30mm	Latch & Deadbolt	92mm	30-6135	Split
L16230	35mm	Latch & Deadbolt	92mm	356035	Split
L16231	45mm	Latch & Deadbolt	92mm	356045	Split

ERA Lever Operated Latch & Hookbolt Split Spindle - Centre Case



Features

- Suitable for left or right handed doors
- Can be used with lever/lever or lever/pad handles
- Euro profile lock case

Operation

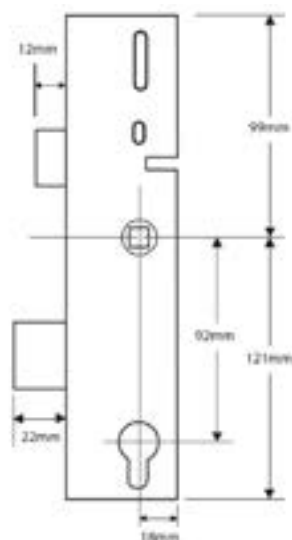
A - Lift lever to engage locking mechanisms and then one full turn of the cylinder to lock. One full turn of the key then push down on the lever to unlock.

Associated Products

- CHAMELEON PRO Adaptable Door Handle
- |         |                 |
|---------|-----------------|
| CH30025 | White           |
| CH30026 | Silver          |
| CH30027 | Polished Silver |
| CH30028 | Gold            |
| CH30068 | Black           |

Product Code	Backset	Centre Case	Centres	Mfr Ref.	Spindle
L22762	35mm	Latch & Hookbolt	92mm	356635	Split

## ERA Saracen Lever Operated Latch & Thin Deadbolt Split Spindle - Centre Case



### Features

- Suitable for left or right handed doors
- Can be used with lever/lever or lever/pad handles
- Euro Profile Lock Case
- Narrow dead bolt

### Operation

A - Lift lever to engage locking mechanisms and then one full turn of the cylinder to lock. One full turn of the key then push down on the lever to unlock.

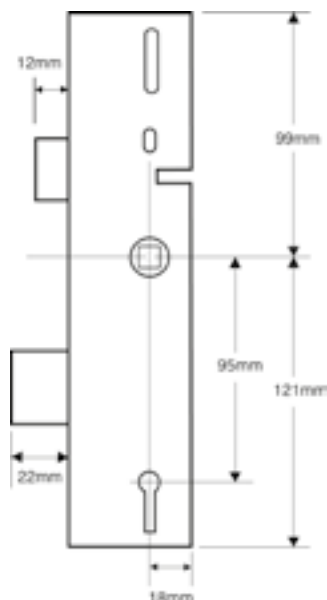
### Associated Products

#### CHAMELEON PRO Adaptable Door Handle

- CH30025 White
- CH30026 Silver
- CH30027 Polished Silver
- CH30028 Gold
- CH30068 Black

Product Code	Backset	Centre Case	Centres	Mfr Ref.	Spindle
L22027	35mm	Latch & Deadbolt	92mm	35-603STD	Split

## ERA Vectis Lever Operated Latch & Deadbolt Split Spindle - Centre Case



### Features

- Can be used with lever/lever or lever/pad handles
- Central brass deadbolt throws 22mm to prevent unauthorised entry
- Can be suited to the Era Viscount range of Mortice locks
- 3 mortice keys supplied
- Suitable for left or right handed doors

### Operation

A - Lift lever to engage locking mechanisms and then one full turn of the cylinder to lock. One full turn of the key then push down on the lever to unlock.

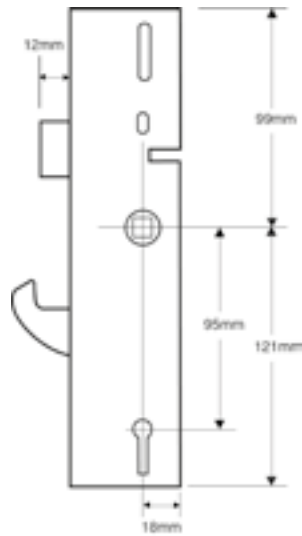
### Associated Products

#### ERA Vectis Classic UPVC Lever Door Furniture 3230

- L16400 White - 95mm Centres
- L16399 Gold - 95mm Centres
- L20889 Chrome - 92mm Centres
- L20890 Gold - 92mm Centres

Product Code	Backset	Centre Case	Centres	Mfr Ref.	Spindle
L16389	35mm	Latch & Deadbolt	95mm	359035	Split
L16390	45mm	Latch & Deadbolt	95mm	459045	Split

## ERA Vectis Lever Operated Latch & Hookbolt Split Spindle - Centre Case



### Features

- Can be used with lever/lever or lever/pad handles
- Central forged brass Hookbolt throws 14mm
- Can be suited to the Era Viscount range of Mortice locks
- 3 mortice keys supplied
- Suitable for left or right handed doors

### Operation

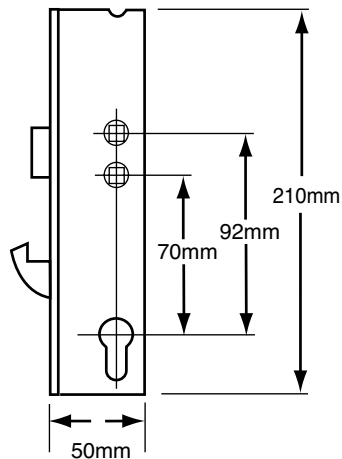
A - Lift lever to engage locking mechanisms and then one full turn of the cylinder to lock. One full turn of the key then push down on the lever to unlock.

### Associated Products

- ERA Vectis Classic UPVC Lever Door Furniture 3230  
 L16400 White - 95mm Centres  
 L16399 Gold - 95mm Centres  
 L20889 Chrome - 92mm Centres  
 L20890 Gold - 92mm Centres

Product Code	Backset	Centre Case	Centres	Mfr Ref.	Spindle
L16391	35mm	Latch & Hookbolt	95mm	359635	Split

## ASGARD Lever Operated Latch & Hookbolt Gearbox



### Features

- To suit Yale & Asgard Locks
- Euro Profile Lock Case
- Latch & Hookbolt

### Operation

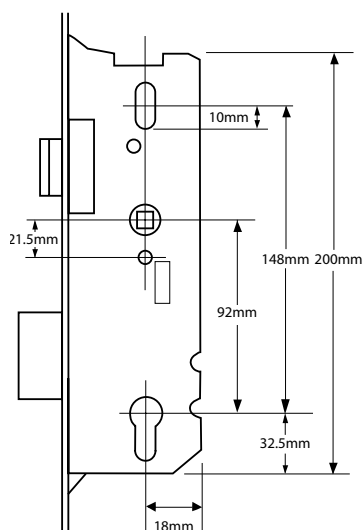
A - Lift lever to engage locking mechanisms and then one full turn of the cylinder to lock. One full turn of the key then push down on the lever to unlock.

### Associated Products

- CHAMELEON PRO Adaptable Door Handle  
 CH30025 White  
 CH30026 Silver  
 CH30027 Polished Silver  
 CH30028 Gold  
 CH30068 Black

Product Code	Backset	Centre Case	Centres	Spindle
L21822	35mm	Latch & Hookbolt	92/70mm	Twin
L24532	45mm	Latch & Hookbolt	92/70mm	Twin
L26466	55mm	Latch & Hookbolt	92/70mm	Twin

## FUHR Lever Operated Latch & Deadbolt - Centre Case



### Features

- Euro Profile Lock Case
- Latch & Deadbolt
- Centre Gearbox Only
- Single Spindle

### Operation

A - Lift lever to engage locking mechanisms and then one full turn of the cylinder to lock. One full turn of the key then push down on the lever to unlock.

### Associated Products

ASEC Lever/Lever 92mm Centres 220mm

Backplate UPVC Door Handles

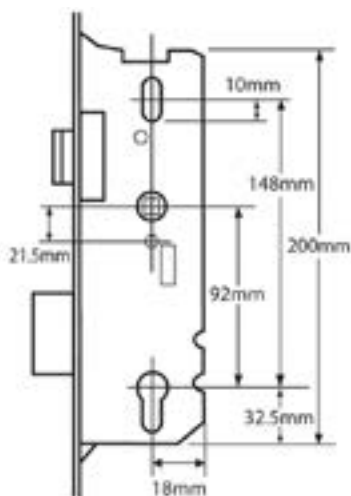
L18404	Black
L18405	Chrome
L18406	Gold
L18407	White

CHAMELEON PRO Adaptable Door Handle

CH30025	White
CH30026	Silver
CH30027	Polished Silver
CH30028	Gold
CH30068	Black

Product Code	Backset	Centre Case	Centres	Mfr Ref.	Spindle
L16217	25mm	Latch & Deadbolt	92mm	08056/25	Single
L16218	30mm	Latch & Deadbolt	92mm	08056/30	Single
L16219	35mm	Latch & Deadbolt	92mm	08056/35	Single
L16220	45mm	Latch & Deadbolt	92mm	08056/45	Single

## FUHR Lever Operated Latch & Deadbolt Split Spindle - Centre Case



### Features

- Euro Profile Lock Case
- Latch & Deadbolt
- Centre Gearbox Only
- Split Spindle

### Operation

A - Lift lever to engage locking mechanisms and then one full turn of the cylinder to lock. One full turn of the key then push down on the lever to unlock.

### Associated Products

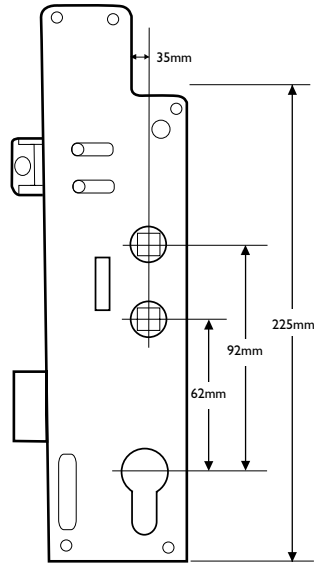
ASEC Lever/Lever 92mm Centres 220mm

Backplate UPVC Door Handles

L18404	Black
L18405	Chrome
L18406	Gold
L18407	White

Product Code	Backset	Centre Case	Centres	Mfr Ref.	Spindle
L21682	35mm	Latch & Deadbolt	92mm	080859/35	Split

FULLEX Crimebeater Lever Operated Latch & Deadbolt Twin Spindle Gearbox



Features

- Euro Profile Lock Case
- Latch & Deadbolt
- Centre Gearbox Only
- Twin Spindle
- Also known as Crimebeater

Operation

A - Lift lever to engage locking mechanisms and then one full turn of the cylinder to lock. One full turn of the key then push down on the lever to unlock.

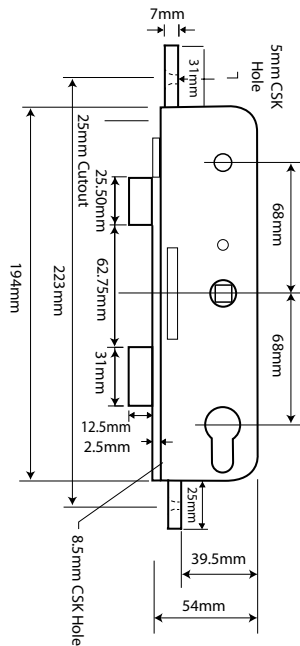
Associated Products

CHAMELEON PRO Adaptable Door Handle

- CH30025 White
- CH30026 Silver
- CH30027 Polished Silver
- CH30028 Gold
- CH30068 Black

Product Code	Backset	Centre Case	Centres	Mfr Ref.	Spindle
L18287	35mm	Latch & Deadbolt	92/62mm	CRBENT0002	Twin
L18286	45mm	Latch & Deadbolt	92/62mm	CRBENT0003	Twin

FULLEX Lever Operated Latch & Deadbolt Split Spindle New Style - Centre Case



Features

- Euro Profile Lock Case
- Latch & Deadbolt
- Centre Gearbox Only
- New Style Shallow Latch Version
- Split Spindle

Operation

A - Lift lever to engage locking mechanisms and then one full turn of the cylinder to lock. One full turn of the key then push down on the lever to unlock.

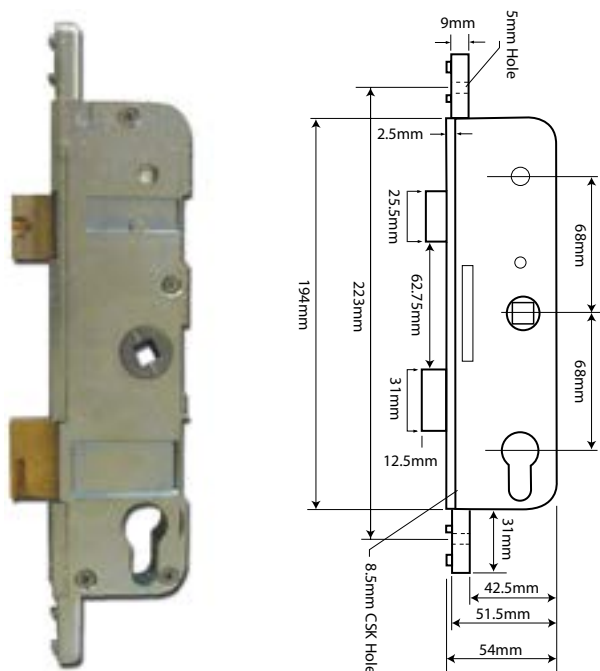
Associated Products

CHAMELEON PRO Adaptable Door Handle

- CH30025 White
- CH30026 Silver
- CH30027 Polished Silver
- CH30028 Gold
- CH30068 Black

Product Code	Backset	Centre Case	Centres	Mfr Ref.	Spindle
L15434	35mm	Latch & Deadbolt	68mm	60024	Split
L15433	45mm	Latch & Deadbolt	68mm	60028	Split
L20710	55mm	Case Only	68mm	60026	Split

## FULLEX Lever Operated Latch & Deadbolt Split Spindle Old Style - Centre Case



### Features

- Euro Profile Lock Case
- Latch & Deadbolt
- Centre Gearbox Only
- Old Style Version
- Split Spindle

### Operation

A - Lift lever to engage locking mechanisms and then one full turn of the cylinder to lock. One full turn of the key then push down on the lever to unlock.

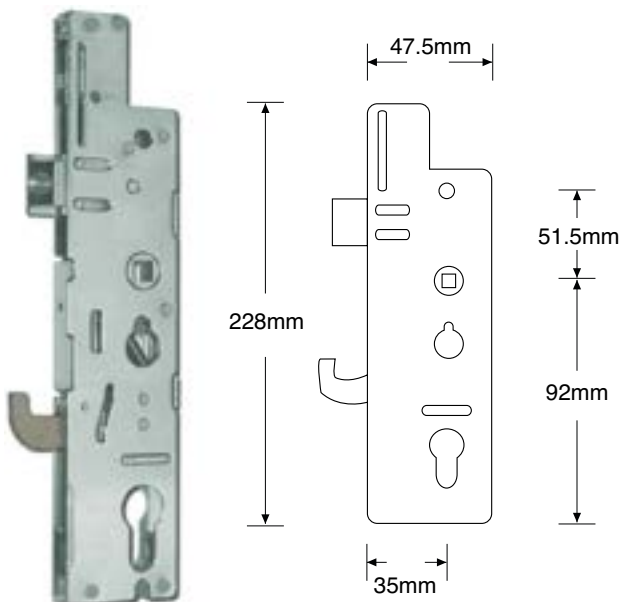
### Associated Products

#### CHAMELEON PRO Adaptable Door Handle

- CH30025 White
- CH30026 Silver
- CH30027 Polished Silver
- CH30028 Gold
- CH30068 Black

Product Code	Backset	Centre Case	Centres	Mfr Ref.	Spindle
L15436	35mm	Latch & Deadbolt	68mm	STD0144	Split

## FULLEX XL Lever Operated Latch & Hookbolt Gearbox



### Features

- Single Spindle
- Latch & Hookbolt
- Gearbox Only

### Operation

A - Lift lever to engage locking mechanisms and then one full turn of the cylinder to lock. One full turn of the key then push down on the lever to unlock.

### Associated Products

#### ASEC Lever/Lever 92mm Centres 240mm

#### Backplate UPVC Door Handles

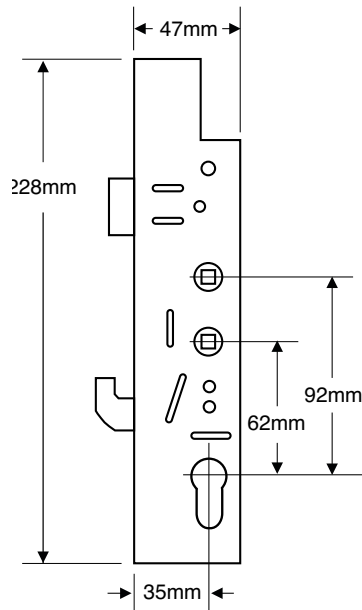
- L18398 Chrome
- L18399 Gold
- L18400 White

#### CHAMELEON PRO Adaptable Door Handle

- CH30025 White
- CH30026 Silver
- CH30027 Polished Silver
- CH30028 Gold
- CH30068 Black

Product Code	Backset	Centre Case	Centres	Spindle
L22607	35mm	Latch & Hookbolt	92mm	Single

## FULLEX XL Lever Operated Latch & Hookbolt Twin Spindle Gearbox



### Features

- Twin Spindle
- Latch & Hookbolt
- Gearbox Only

### Operation

A - Lift lever to engage locking mechanisms and then one full turn of the cylinder to lock. One full turn of the key then push down on the lever to unlock.

### Associated Products

ASEC Lever/Pad 92mm-62mm Centres  
240mm Backplate UPVC Door Handles

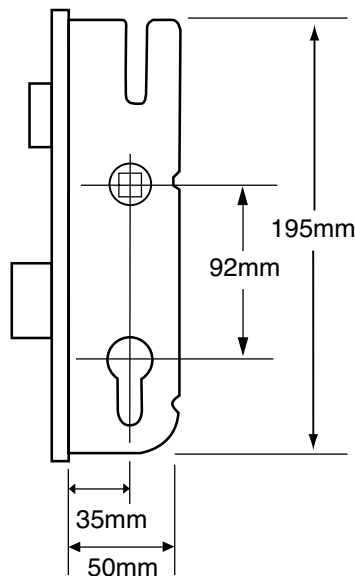
- L18395 Chrome
- L18396 Gold
- L18397 White

CHAMELEON PRO Adaptable Door Handle

- CH30025 White
- CH30026 Silver
- CH30027 Polished Silver
- CH30028 Gold
- CH30068 Black

Product Code	Backset	Centre Case	Centres	Spindle
L22606	35mm	Latch & Hookbolt	92/62mm	Twin

## GU Fast Lock Lever Operated Latch & Deadbolt



### Features

- Euro Profile Lock Case
- Latch & Deadbolt

### Operation

A - Lift lever to engage locking mechanisms and then one full turn of the cylinder to lock. One full turn of the key then push down on the lever to unlock.

### Associated Products

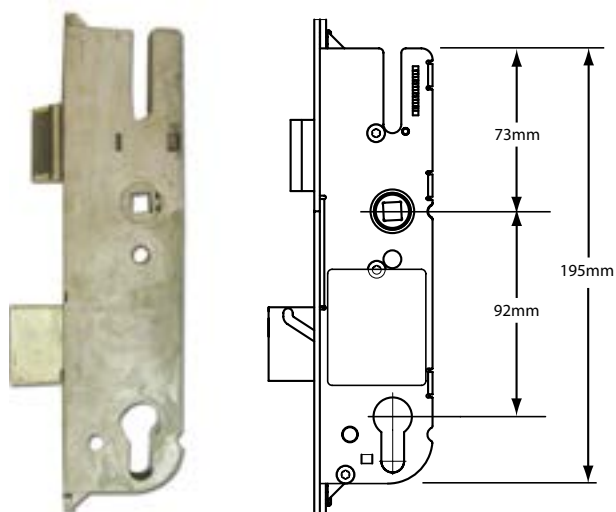
CHAMELEON PRO Adaptable Door Handle

- CH30025 White
- CH30026 Silver
- CH30027 Polished Silver
- CH30028 Gold
- CH30068 Black

Product Code	Backset	Centre Case	Centres	Spindle
L21828	35mm	Latch & Deadbolt	92mm	Split



## GU Lever Operated Latch & Deadbolt - Centre Case



### Features

- Euro Profile Lock Case
- Latch & Deadbolt
- Centre Gearbox Only
- Single Spindle

### Operation

A - Lift lever to engage locking mechanisms and then one full turn of the cylinder to lock. One full turn of the key then push down on the lever to unlock.

### Associated Products

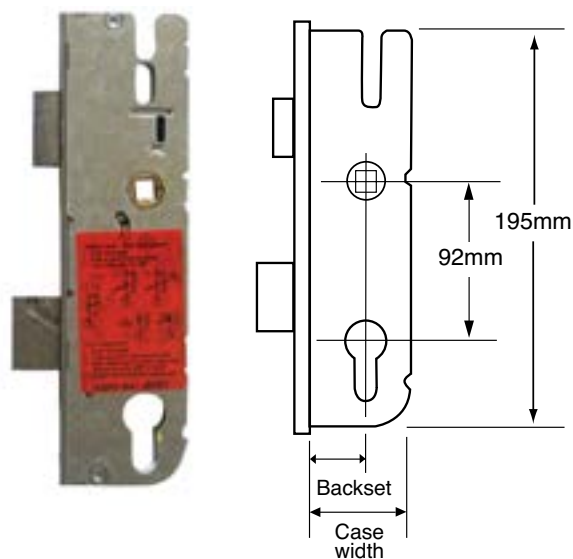
ASEC Lever/Lever 92mm Centres 220mm

Backplate UPVC Door Handles

L18404	Black
L18405	Chrome
L18406	Gold
L18407	White

Product Code	Backset	Centre Case	Centres	Mfr Ref.	Spindle
L16216	28mm	Latch & Deadbolt	92mm	G4GB28	Single
L25229	30mm	Latch & Deadbolt	92mm	GU30	Single
L16227	35mm	Latch & Deadbolt	92mm	G4GB35	Single
L24733	40mm	Latch & Deadbolt	92mm	L15341	Single
L23582	45mm	Latch & Deadbolt	92mm	G4GB45	Single
L25231	55mm	Latch & Deadbolt	92mm	GU55	Single

## GU Lever Operated Latch & Deadbolt Gearbox with Split Spindle



### Features

- Euro Profile Lock Case
- Latch & Deadbolt
- Split Spindle

### Operation

A - Lift lever to engage locking mechanisms and then one full turn of the cylinder to lock. One full turn of the key then push down on the lever to unlock.

### Associated Products

CHAMELEON PRO Adaptable Door Handle

CH30025	White
CH30026	Silver
CH30027	Polished Silver
CH30028	Gold
CH30068	Black

Product Code	Backset	Centre Case	Case Width	Centres	Spindle
L21827	35mm	Latch & Deadbolt	50mm	92mm	Split
L25230	45mm	Latch & Deadbolt	45mm	92mm	Split

## HOOPLY Lever Operated Latch & 4 Deadbolt - Centre Case



### Features

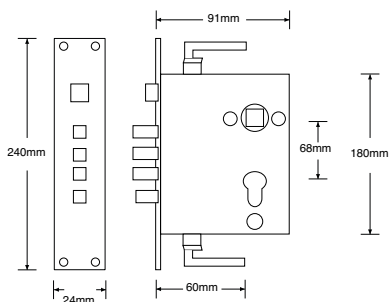
- Commonly used on site containers and security steel doors.
- 4 deadbolts
- Operated by a euro cylinder

### Operation

A - Lift lever to engage locking mechanisms and then one full turn of the cylinder to lock. One full turn of the key then push down on the lever to unlock.

### Associated Products

- HOOPLY UPVC Lever Door Furniture- With Thumbturn**  
 L23465 Silver - LH  
 L23466 Silver - RH



Product Code	Backset	Centre Case	Centres	Spindle
L23464	60mm	Latch & Deadbolt	68mm	Single

## KENRICK Lever Operated Latch & Hookbolt Gearbox with Twin Spindle



### Features

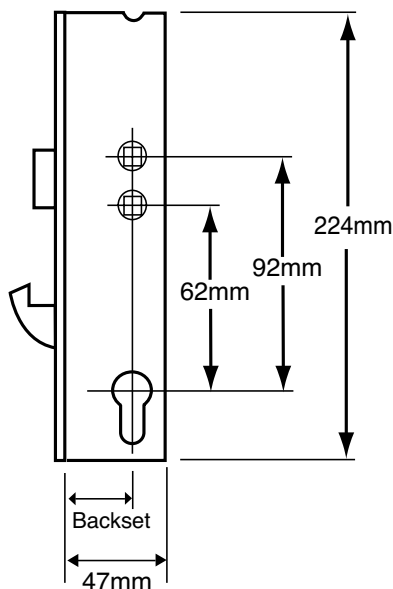
- To Suit Excalibur Locks
- Euro Profile Lock Case
- Latch & Hookbolt

### Operation

A - Lift lever to engage locking mechanisms and then one full turn of the cylinder to lock. One full turn of the key then push down on the lever to unlock.

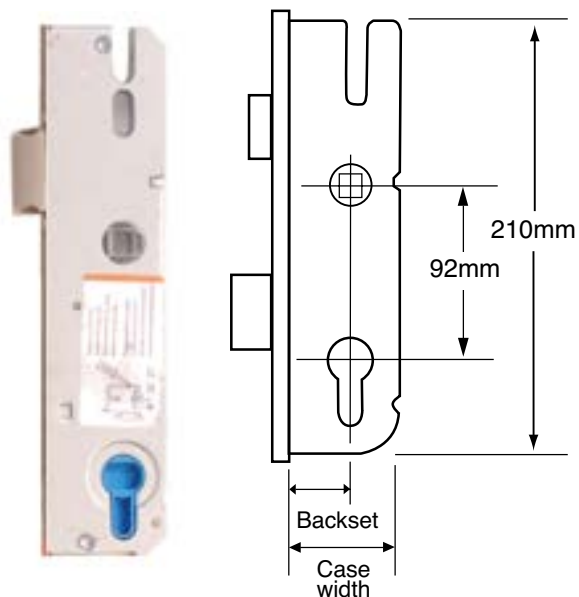
### Associated Products

- CHAMELEON PRO Adaptable Door Handle**  
 CH30025 White  
 CH30026 Silver  
 CH30027 Polished Silver  
 CH30028 Gold  
 CH30068 Black



Product Code	Backset	Centre Case	Centres	Spindle
L21821	35mm	Latch & Hookbolt	92/62mm	Twin

## KfV Key Operated Latch &amp; Deadbolt Gearbox



### Features

- To suit KfV Key Wind
- Euro Profile Lock Case
- Latch & Deadbolt

### Operation

C - One full turn of the key to lock and one full turn of the key then push down on the lever to unlock.

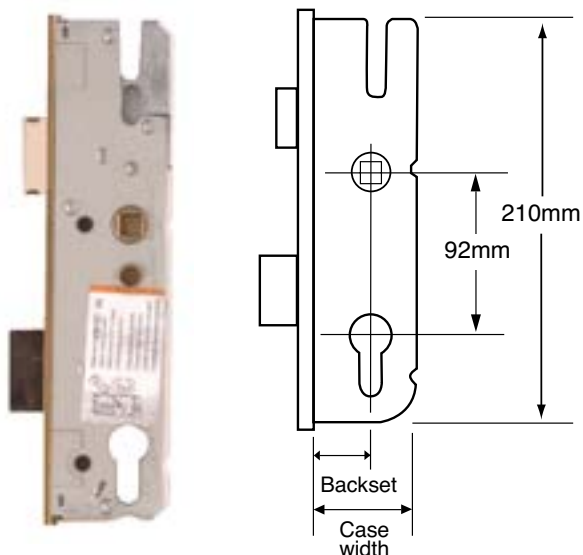
### Associated Products

CHAMELEON PRO Adaptable Door Handle

- CH30025 White
- CH30026 Silver
- CH30027 Polished Silver
- CH30028 Gold
- CH30068 Black

Product Code	Backset	Centre Case	Case Width	Centres	Spindle
L21825	35mm	Latch & Deadbolt	50mm	92mm	Single
L21826	45mm	Latch & Deadbolt	60mm	92mm	Single

## KfV Lever Operated Latch &amp; Deadbolt Gearbox



### Features

- To suit KfV Lift Lever
- Euro Profile Lock Case
- Latch & Deadbolt

### Operation

A - Lift lever to engage locking mechanisms and then one full turn of the cylinder to lock. One full turn of the key then push down on the lever to unlock.

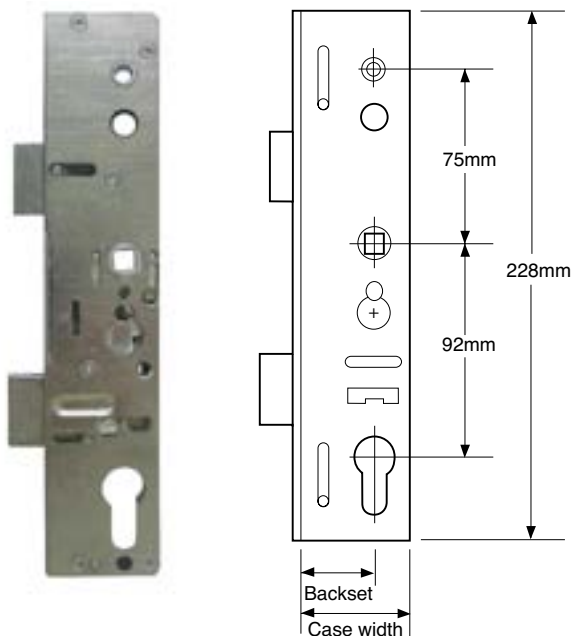
### Associated Products

CHAMELEON PRO Adaptable Door Handle

- CH30025 White
- CH30026 Silver
- CH30027 Polished Silver
- CH30028 Gold
- CH30068 Black

Product Code	Backset	Centre Case	Case Width	Centres	Spindle
L21823	35mm	Latch & Deadbolt	50mm	92mm	Single
L21824	45mm	Latch & Deadbolt	60mm	92mm	Single

LOCKMASTER Lever Operated Latch & Deadbolt - Centre Case



Features

- Euro Profile Lock Case
- Latch & Deadbolt
- Centre Gearbox Only
- Single Spindle

Operation

A - Lift lever to engage locking mechanisms and then one full turn of the cylinder to lock. One full turn of the key then push down on the lever to unlock.

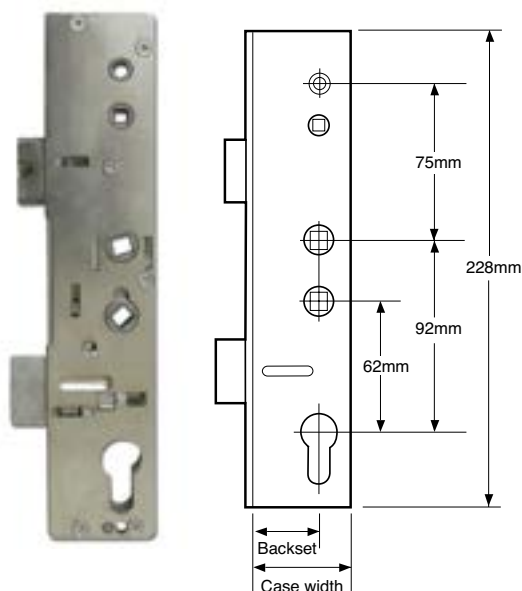
Associated Products

CHAMELEON PRO Adaptable Door Handle

- CH30025 White
- CH30026 Silver
- CH30027 Polished Silver
- CH30028 Gold
- CH30068 Black

Product Code	Backset	Centre Case	Case Width	Centres	Mfr Ref.	Spindle
L15360	35mm	Latch & Deadbolt	50mm	92mm	YDM GBLMASTD 35T	Single
L15361	45mm	Latch & Deadbolt	47mm	92mm	YDM GBLMASTD 45T	Single

LOCKMASTER Lever Operated Latch & Deadbolt Twin Spindle - Centre Case



Features

- Euro Profile Lock Case
- Latch & Deadbolt
- Centre Gearbox Only
- Twin Spindle

Operation

A - Lift lever to engage locking mechanisms and then one full turn of the cylinder to lock. One full turn of the key then push down on the lever to unlock.

Associated Products

CHAMELEON PRO Adaptable Door Handle

- CH30025 White
- CH30026 Silver
- CH30027 Polished Silver
- CH30028 Gold
- CH30068 Black

Product Code	Backset	Centre Case	Centres	Mfr Ref.	Spindle
L17848	35mm	Latch & Deadbolt	92/62mm	YDM GBLMASTD 35D	Twin
L17849	45mm	Latch & Deadbolt	92/62mm	YDM GBLMASTD 45D	Twin

## MACO Lever Operated Push Button Latch Release 35/92 GTS Gearbox



### Features

- Euro profile lock case
- Push button latch release
- Single spindle

### Overview

Lever operated latch gearbox from Maco with a single spindle, Euro profile lockcase, 35mm backset and 92mm centres.

### Operation

A - Lift lever to engage locking mechanisms and then one full turn of the cylinder to lock. One full turn of the key then push down on the lever to unlock.

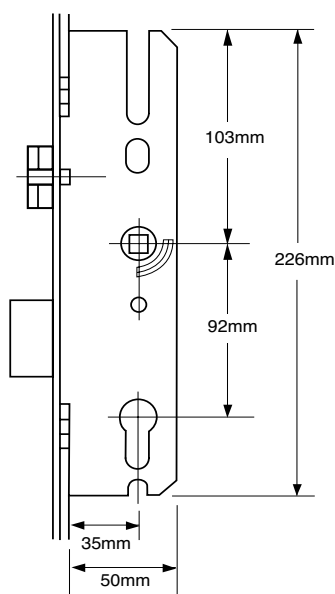
### Associated Products

#### CHAMELEON PRO Adaptable Door Handle

- CH30025 White
- CH30026 Silver
- CH30027 Polished Silver
- CH30028 Gold
- CH30068 Black

Product Code	Backset	Centre Case	Centres	Mfr Ref.	Spindle
L26465	35mm	Latch Only	92mm	228491	Single

## MACO Lever Operated Latch & Deadbolt -Centre Case



### Features

- Euro Profile Lock Case
- Latch & Deadbolt
- Centre Gearbox Only
- Single Spindle

### Operation

A - Lift lever to engage locking mechanisms and then one full turn of the cylinder to lock. One full turn of the key then push down on the lever to unlock.

### Associated Products

#### CHAMELEON PRO Adaptable Door Handle

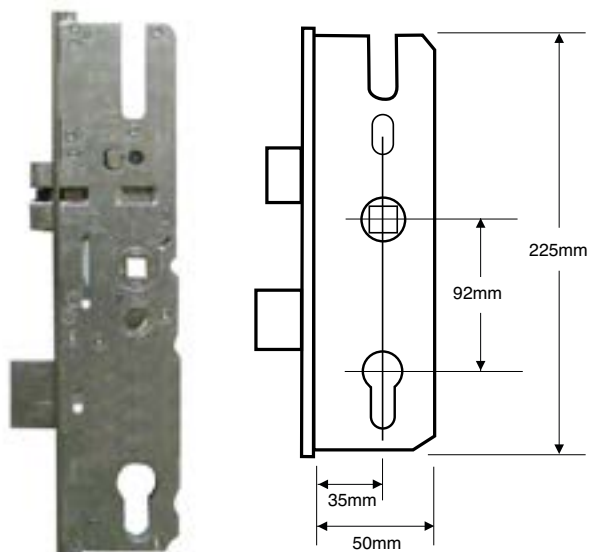
- CH30025 White
- CH30026 Silver
- CH30027 Polished Silver
- CH30028 Gold
- CH30068 Black

Product Code	Backset	Centre Case	Centres	Mfr Ref.	Spindle
L16214	35mm	Latch & Deadbolt	92mm	217156	Single

## MACO Lever Operated Latch & Deadbolt Gearbox with Split Spindle



**DISCONTINUED**



### Features

- Euro Profile Lock Case
- Latch & Deadbolt
- Split Spindle

### Operation

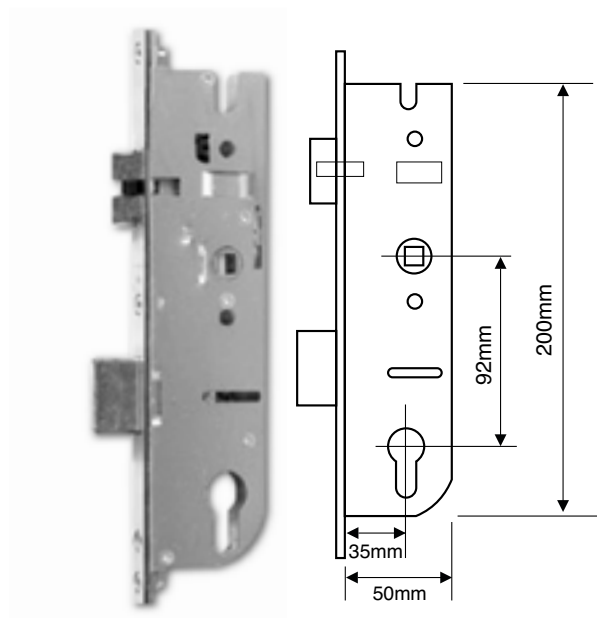
A - Lift lever to engage locking mechanisms and then one full turn of the cylinder to lock. One full turn of the key then push down on the lever to unlock.

### Notes

Discontinued product

Product Code	Backset	Centre Case	Centres	Spindle
L21829	35mm	Latch & Deadbolt	92mm	Split

## MACO Lever Operated Latch & Deadbolt Single Spindle 35/92 CT-S Gearbox



### Features

- Single function lock for use as a lift lever or split spindle operated door lock
- Can be used with 2 or 3 screw fixing handles
- Euro profile lock case
- Maco easy latch reduces noise and force required to shut the door
- Simple reversal process
- Latch & deadbolt

### Operation

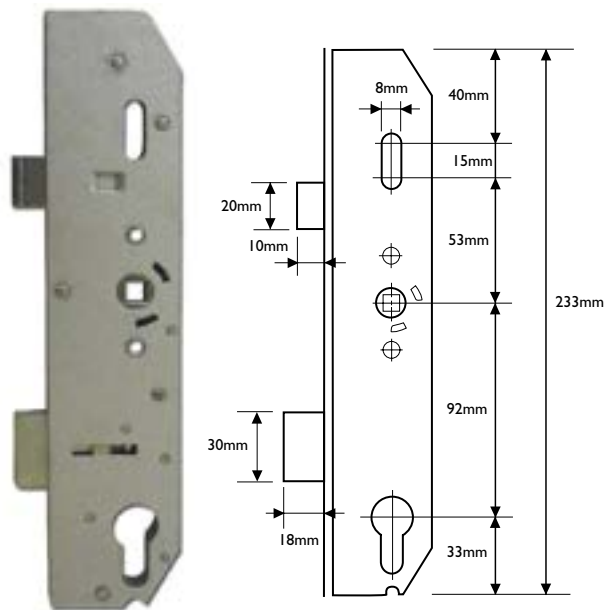
A - Lift lever to engage locking mechanisms and then one full turn of the cylinder to lock. One full turn of the key then push down on the lever to unlock.

### Overview

Reversible lever operated latch & deadbolt gearbox by Maco with a single spindle, Euro profile lock case, 35mm backset and 92mm centres.

Product Code	Backset	Centre Case	Centres	Spindle
L24530	35mm	Latch & Deadbolt	92mm	Single

## MILA Lever Operated Latch & Deadbolt - Centre Case



### Features

- Euro Profile Lock Case
- Latch & Deadbolt
- Centre Gearbox Only
- Single Spindle

### Operation

A - Lift lever to engage locking mechanisms and then one full turn of the cylinder to lock. One full turn of the key then push down on the lever to unlock.

### Associated Products

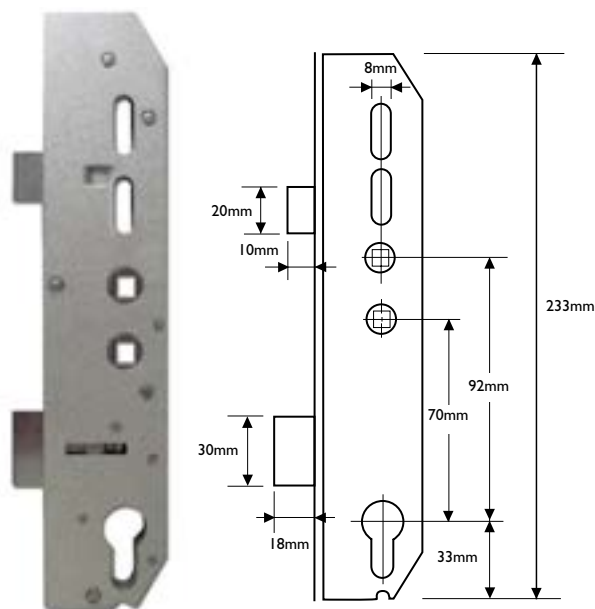
ASEC Lever/Lever 92mm Centres 220mm

Backplate UPVC Door Handles

L18404	Black
L18405	Chrome
L18406	Gold
L18407	White

Product Code	Backset	Centre Case	Centres	Mfr Ref.	Spindle
L15419	35mm	Latch & Deadbolt	92mm	47200	Single

## MILA Lever Operated Latch & Deadbolt Twin Spindle Gearbox



### Features

- Euro Profile Lock Case
- Latch & Deadbolt
- Centre Gearbox Only
- Twin Spindle

### Operation

A - Lift lever to engage locking mechanisms and then one full turn of the cylinder to lock. One full turn of the key then push down on the lever to unlock.

### Associated Products

HOPPE UPVC Lever / Moveable Pad

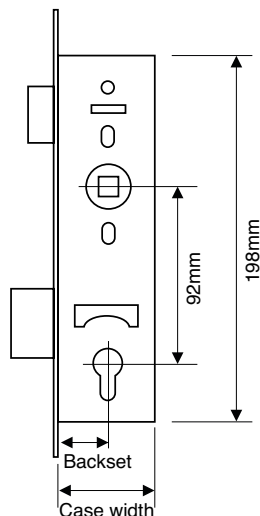
Door Furniture 76G/3623N/1710

L17463 92mm/70mm Centres Gold

L17464 92mm/70mm Centres Silver

Product Code	Backset	Centre Case	Centres	Mfr Ref.	Spindle
L18291	35mm	Latch & Deadbolt	92/70mm	47201	Twin

NEMEF 9600 Euro Sashcase



Features

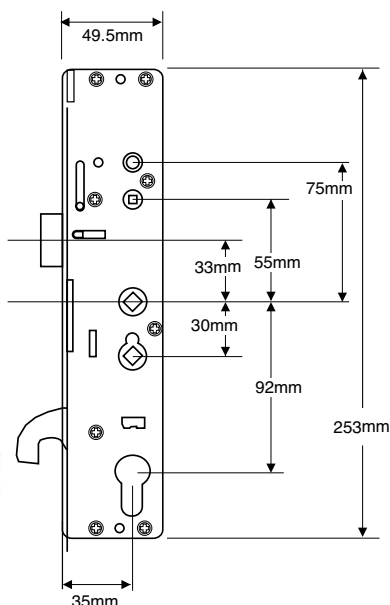
- Ideal for aluminium doors
- Euro Profile Lock Case
- Latch & Deadbolt

Operation

A - Lift lever to engage locking mechanisms and then one full turn of the cylinder to lock. One full turn of the key then push down on the lever to unlock.

Product Code	Backset	Centre Case	Case Width	Centres	Mfr Ref.	Spindle
L21816	25mm	Latch & Deadbolt	40mm	92mm	9601	Single
L21817	30mm	Latch & Deadbolt	45mm	92mm	9602	Single
L21818	35mm	Latch & Deadbolt	50mm	92mm	9603	Single
L22033	40mm	Latch & Deadbolt	55mm	92mm	9604	Single
L22034	45mm	Latch & Deadbolt	60mm	92mm	9605	Single

SAFEWARE Lever Operated Latch & Hook Gearbox with Twin Spindle



Features

- Euro Profile Lock Case
- Latch & Hookbolt
- Twin Spindle

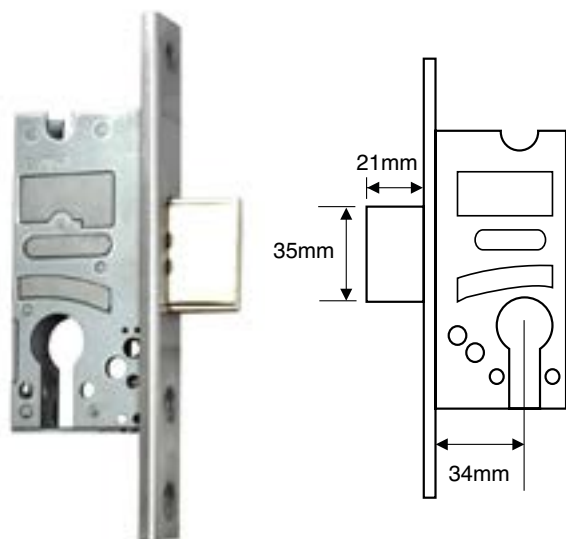
Operation

A - Lift lever to engage locking mechanisms and then one full turn of the cylinder to lock. One full turn of the key then push down on the lever to unlock.

Product Code	Backset	Centre Case	Centres	Spindle
L21830	35mm	Latch & Hookbolt	92/62mm	Twin



## SCHUCO 241183 Lever Operated U-Rail Deadlock



### Features

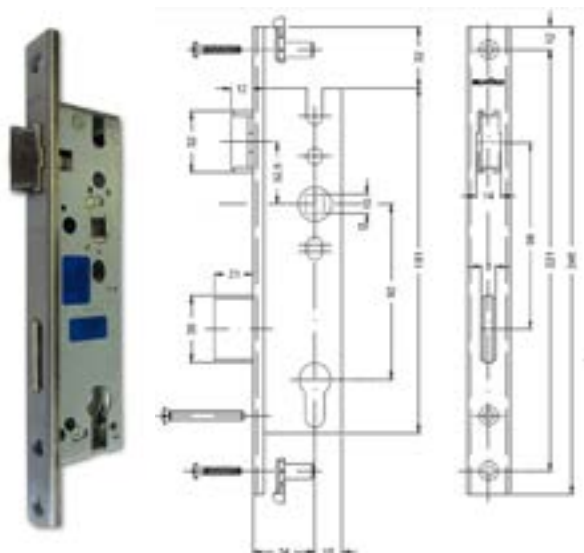
- 24mm wide U-Rail faceplate
- 34mm Backset
- Reversible
- Excluding cylinder

### Operation

A - Lift lever to engage locking mechanisms and then one full turn of the cylinder to lock. One full turn of the key then push down on the lever to unlock.

Product Code	Backset	Bolt Lengths	Bolt Throw	Case depth	Faceplate Width	Mfr Ref.
L24290	34mm	35mm	21mm	49mm	24mm (U-Rail)	241183

## SCHUCO Lever Operated Latch &amp; Deadbolt 92PZ U-Rail Lock Case



### Features

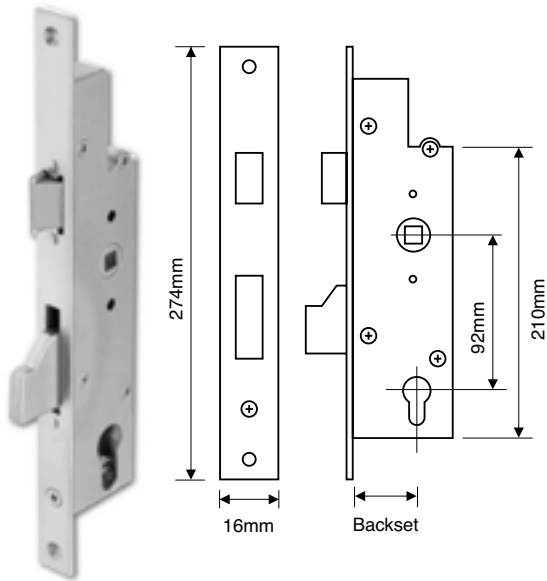
- Latch & Deadbolt
- Polished Nickel Faceplate U-Rail
- Latch retention & single throw
- 92mm Centres
- 35mm Backset

### Operation

A - Lift lever to engage locking mechanisms and then one full turn of the cylinder to lock. One full turn of the key then push down on the lever to unlock.

Product Code	Backset	Centre Case	Centres	Mfr Ref.	Spindle
L23678	35mm	Latch & Deadbolt	92mm	241180	Single

SOBINCO 8601 16mm Flat 92mm Centres Sashlock



Features

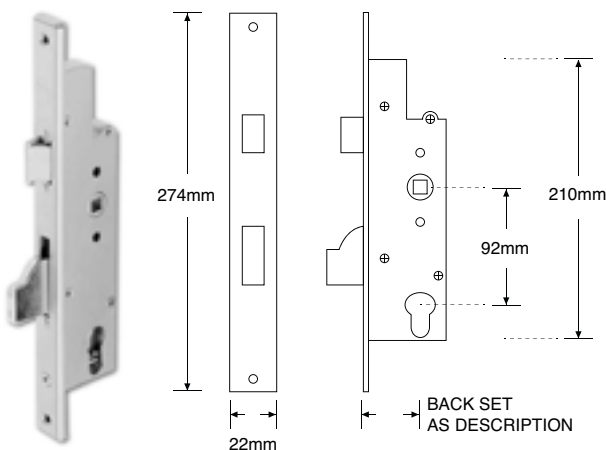
- Flat 16mm stainless steel faceplate
- Lock manufactured from non-corroding materials
- Successfully tested to EN 12209:2003/AS:2005
- Pivoting dead bolt
- Locking and unlocking by turning the key 360°
- Can be used both left and right handed by turning the latch bolt

Overview

The Sobinco 8600 series door locks are particularly narrow sashlocks which can be used both left and right handed by simply turning the latch bolt and incorporates a pivoting dead bolt rather than a sliding one. This type of bolt is longer than its conventional counterparts, making sure the same proportion of the deadbolt is integrated in the lockcase as is engaged in the frame which makes it extremely difficult for burglars to force entry. This lock is made from a non-corroding zinc alloy, has a 16mm wide flat stainless steel faceplate and a zinc alloy nickel plated latch & deadbolt. The Sobinco 8600 series sashlocks are tested in accordance with the European standard EN 12209:2003/AC:2005.

Product Code	Backset	Centre Case	Centres	Mfr Ref.
L23980	30mm	Pivoting Deadbolt	92mm	8601-16-30
L23981	35mm	Pivoting Deadbolt	92mm	8601-16-35

SOBINCO 8601 22mm U Rail 92mm Centres Sashlock



Features

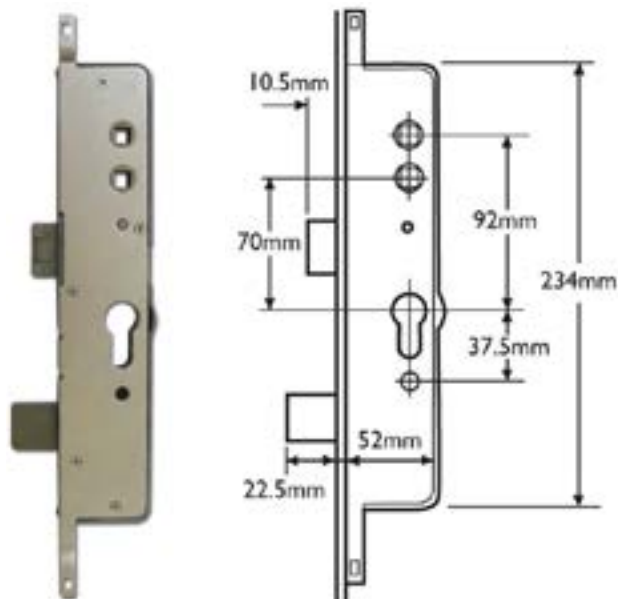
- U-form 22mm stainless steel faceplate
- Lock manufactured from non-corroding materials
- Successfully tested to EN 12209:2003/AS:2005
- Pivoting dead bolt
- Locking and unlocking by turning the key 360°
- Can be used both left and right handed by turning the latch bolt

Overview

The Sobinco 8600 series door locks are particularly narrow sashlocks which can be used both left and right handed by simply turning the latch bolt and incorporates a pivoting dead bolt rather than a sliding one. This type of bolt is longer than its conventional counterparts, making sure the same proportion of the deadbolt is integrated in the lockcase as is engaged in the frame which makes it extremely difficult for burglars to force entry. This lock is made from a non-corroding zinc alloy, has a 22mm wide U-form stainless steel faceplate and a zinc alloy nickel plated latch & deadbolt. The Sobinco 8600 series sashlocks are tested in accordance with the European standard EN 12209:2003/AC:2005.

Product Code	Backset	Centre Case	Centres	Mfr Ref.
L23982	30mm	Pivoting Deadbolt	92mm	8601-U22-25
L23983	35mm	Pivoting Deadbolt	92mm	8601-U22-30

## CEGO Surelock Lever Operated Latch & Deadbolt - Centre Case



### Features

- Euro Profile Lock Case
- Latch & Deadbolt
- Centre Gearbox Only
- Twin Spindle

### Operation

A - Lift lever to engage locking mechanisms and then one full turn of the cylinder to lock. One full turn of the key then push down on the lever to unlock.

### Associated Products

HOPPE UPVC Lever / Moveable Pad

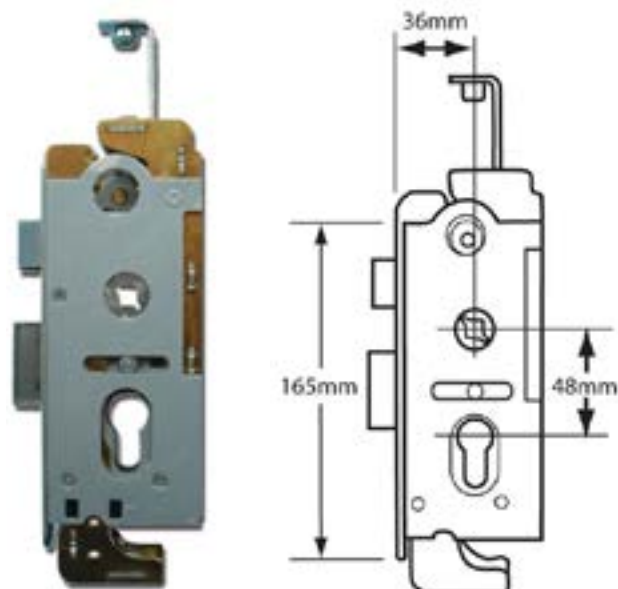
Door Furniture 76G/3623N/1710

L17463 92mm/70mm Centres Gold

L17464 92mm/70mm Centres Silver

Product Code	Backset	Centre Case	Centres	Mfr Ref.	Spindle
L16221	35mm	Latch & Deadbolt	92/70mm	21 05013	Twin

## UNION Everest 3 Point Centre Case Lock



### Features

- Euro profile sash case
- Latch & Deadbolt
- Centre case only
- Split Spindle
- Reversible Latch Bolt
- Also known as the Everest lock.

### Operation

C - One full turn of the key to lock and one full turn of the key then push down on the lever to unlock.

### Associated Products

ASEC Lever/Lever 48 Centres 230mm

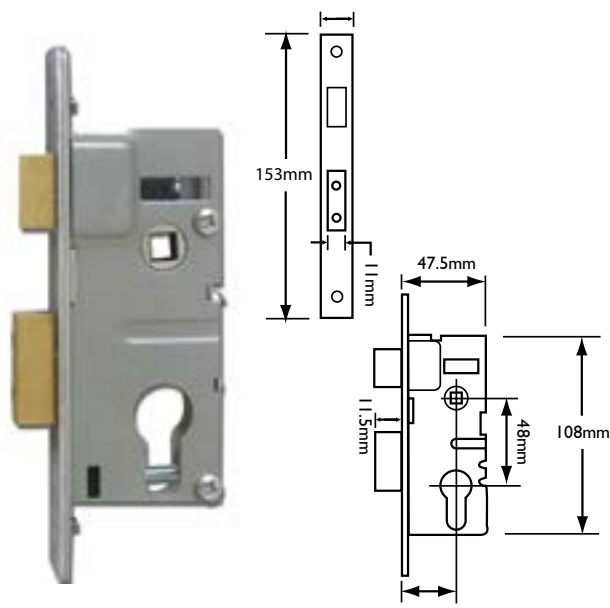
Backplate UPVC Door Handles

AS10193 White

AS10194 Gold

Product Code	Backset	Centre Case	Centres	Mfr Ref.	Spindle
L18288	36mm	Latch & Deadbolt	48mm	L22174	Single

UNION L2224 Euro Sashcase



Features

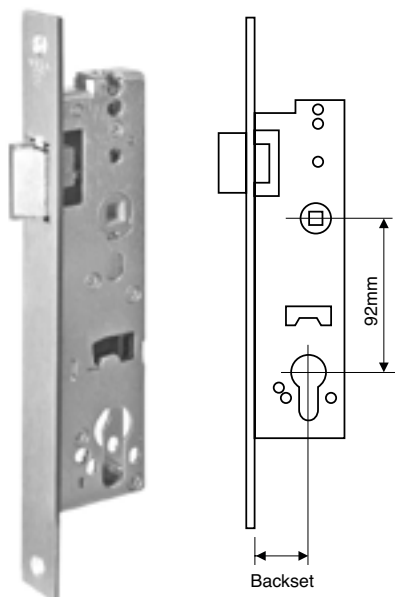
- Suitable for metal doors
- Suitable for use with unsprung lever handles
- Latch & Deadbolt
- Reversible latch bolt
- Euro Profile Sash Case

Associated Products

- ASEC Lever/Lever 48 Centres 230mm
- Backplate UPVC Door Handles
- AS10193 White
- AS10194 Gold

Product Code	Backset	Centre Case	Centres	Finish	Mfr Ref.	Spindle
L28	30.5mm	Latch & Deadbolt	48mm	Satin Chrome	L2224	Single

WILKA 138F Lever Operated Euro Profile Latch Only Mortice Lock



Features

- Suitable for metal frame doors
- Reversible latch
- Closed top & bottom of lock case

Overview

The latch is withdrawn by either the euro cylinder (not included) and the follower.

Associated Products

- WILKA 1026088 Strike To Suit 138F Sashlocks
- L24408 1026088 - 138F

Product Code	Backset	Centre Case	Centres	Mfr Ref.	Spindle
L24391	25mm	Latch	92mm	138F/25	Single
L24392	30mm	Latch	92mm	138F/30	Single
L24393	35mm	Latch	92mm	138F/35	Single
L24394	40mm	Latch	92mm	138F/40	Single
L24395	45mm	Latch	92mm	138F/45	Single

## WILKA 138R Lever Operated Deadbolt Only Mortice Deadlock



92

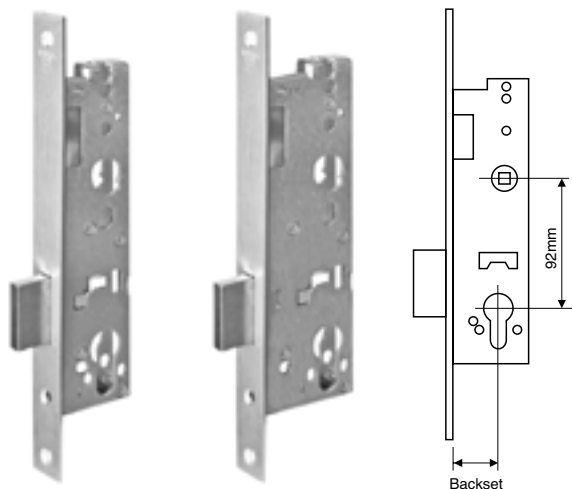
25

30

35

40

45



### Features

- Suitable for metal frame doors
- 20mm bolt throw
- Closed top & bottom of lock case
- EN 12209 certified
- Fully zinc plated

### Overview

Euro cylinder operates deadbolt

### Associated Products

WILKA 1026078 Strike To Suit 138R Deadlocks  
L24409 1026078 - 138R

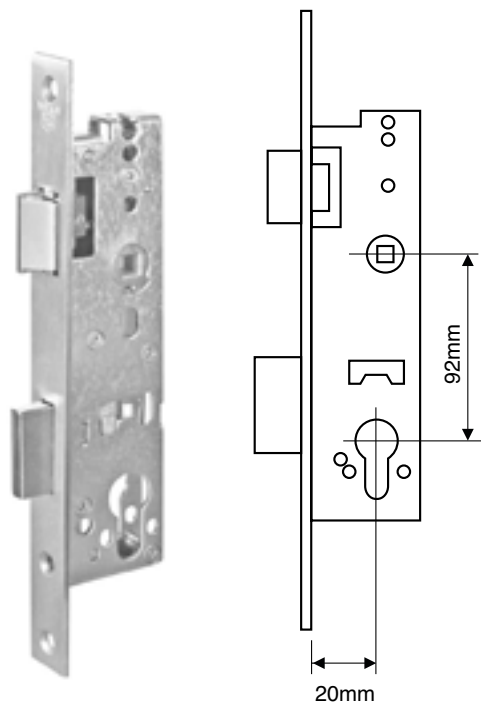
Product Code	Backset	Centre Case	Centres	Mfr Ref.	Spindle
L24396	25mm	Deadbolt	92mm	138R/25	Single
L24397	30mm	Deadbolt	92mm	138R/30	Single
L24398	35mm	Deadbolt	92mm	138R/35	Single
L24399	40mm	Deadbolt	92mm	138R/40	Single
L24400	45mm	Deadbolt	92mm	138R/45	Single

## WILKA 1433 Lever Operated Latch & Deadbolt Mortice Sashlock



92

20



### Features

- Suitable for metal frame doors
- Euro profile cylinder (not included)
- Reversible latch
- 15mm bolt throw
- Closed top & bottom of lock case
- EN 12209 certified

### Overview

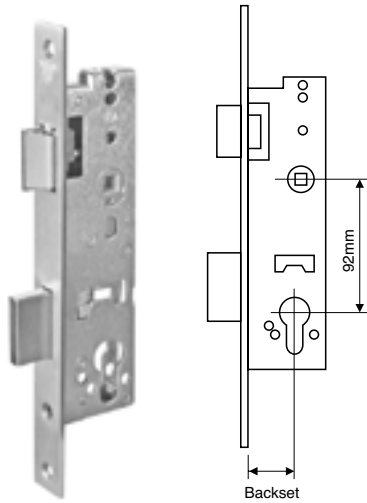
Operating the follower via door furniture retracts the latch as does an additional turn of the euro cylinder (not included), the euro cylinder also operates the deadbolt.

### Associated Products

WILKA 1026229 Strike To Suit 1433, 1438 & 5490 Locks  
L24407 1026229 - 1433/1438/5490

Product Code	Backset	Centre Case	Centres	Mfr Ref.	Spindle
L24385	20mm	Latch & Deadbolt	92mm	1433/20	Single

## WILKA 1438 Lever Operated Latch & Deadbolt Mortice Sashlock



### Features

- Suitable for metal frame doors
- Euro profile cylinder (not included)
- Reversible latch
- 20mm bolt throw
- Closed top & bottom of lock case
- EN 12209 certified

### Overview

Operating the follower via door furniture retracts the latch as does an additional turn of the euro cylinder (not included), the euro cylinder also operates the deadbolt.

### Associated Products

WILKA 1026229 Strike To Suit 1433, 1438 & 5490 Locks  
L24407 1026229 - 1433/1438/5490

Product Code	Backset	Centre Case	Centres	Mfr Ref.	Spindle
L24386	25mm	Latch & Deadbolt	92mm	1438/25	Single
L24387	30mm	Latch & Deadbolt	92mm	1438/30	Single
L24388	35mm	Latch & Deadbolt	92mm	1438/35	Single
L24389	40mm	Latch & Deadbolt	92mm	1438/40	Single
L24390	45mm	Latch & Deadbolt	92mm	1438/45	Single

## WILKA 5490 Lever Operated Latch & Double Throw Deadbolt Mortise Sashlock

72

55

60

65

**WILKA**  
SCHLIESSTECHNIK


### Features

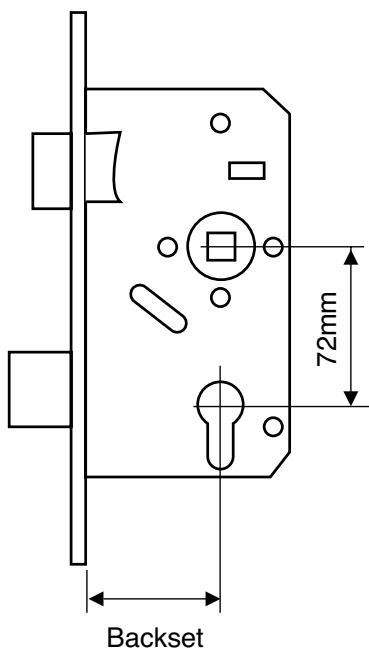
- Suitable for rebated and non-rebated doors
- Euro profile cylinder (excluded)
- Double throw deadbolt
- Metal latch & dead bolt
- Closed & galvanised lock case
- DIN 18 251-1 certified

### Overview

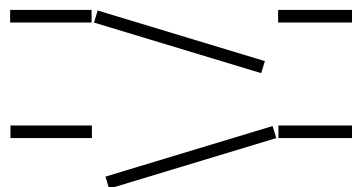
Operating the follower via door furniture retracts the latch as does an additional turn of the euro cylinder (not included). The euro cylinder also operates the deadbolt which can be single or double thrown.

### Associated Products

WILKA 1026229 Strike To Suit 1433, 1438 & 5490 Locks  
L24407 1026229 - 1433/1438/5490



Left hand L24401, L24403, L24405



Right hand L24402, L24404, L24406

Product Code	Backset	Centre Case	Centres	Handed	Mfr Ref.	Spindle
L24401	55mm	Latch & Deadbolt	72mm	Left hand	5490/55	Single
L24402	55mm	Latch & Deadbolt	72mm	Right hand	5490/55	Single
L24403	60mm	Latch & Deadbolt	72mm	Left hand	5490/60	Single
L24404	60mm	Latch & Deadbolt	72mm	Right hand	5490/60	Single
L24405	65mm	Latch & Deadbolt	72mm	Left hand	5490/65	Single
L24406	65mm	Latch & Deadbolt	72mm	Right hand	5490/65	Single

WILLENHALL LOCKS EP1 Euro Sashcase

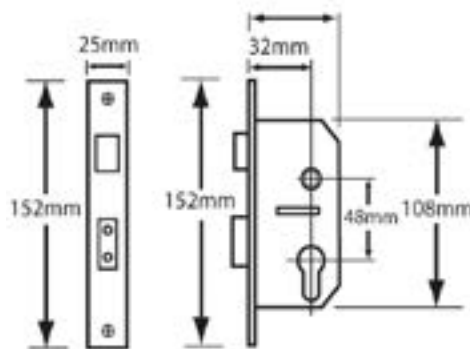


Features

- Ideal for doors with narrow stile (i.e. glazed and French doors)
- Euro profile sash case
- Latch & Deadbolt
- Reversible Latch Bolt

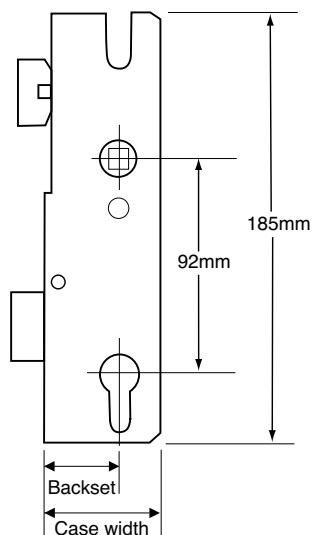
Operation

C - One full turn of the key to lock and one full turn of the key then push down on the lever to unlock.



Product Code	Backset	Centre Case	Centres	Mfr Ref.	Spindle
L172	32mm	Latch & Deadbolt	48mm	EP1	Single

WINKHAUS Cobra Lever Operated Latch & Deadbolt Gearbox



Features

- Euro Profile Lock Case
- Latch & Deadbolt
- Centre Gearbox Only
- Split Spindle

Operation

A - Lift lever to engage locking mechanisms and then one full turn of the cylinder to lock. One full turn of the key then push down on the lever to unlock.

Associated Products

- ASEC Lever/Lever 92mm Centres 220mm
- Backplate UPVC Door Handles
- L18404 Black
- L18405 Chrome
- L18406 Gold
- L18407 White

Product Code	Backset	Centre Case	Centres	Mfr Ref.	Spindle
L18292	35mm	Latch & Deadbolt	92mm	4941733	Split
L18293	45mm	Latch & Deadbolt	92mm	4941734	Split
L23672	55mm	Latch & Deadbolt	92mm	4941735	Split



## YALE Doormaster Gearbox Kit



### Features

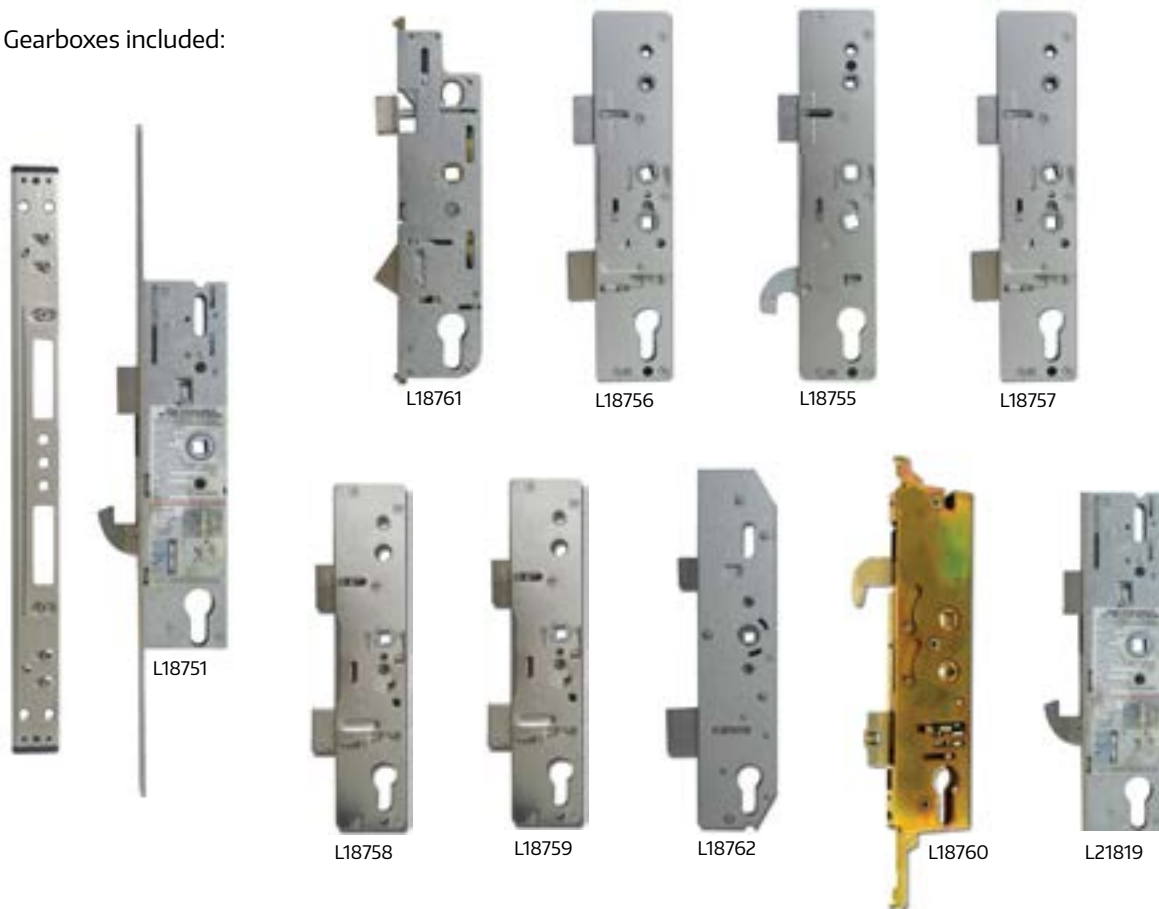
- Yale branded carry case - Created for professionals
- 8 Replacement Gearboxes
- 1 Yale YS170 Overnight Lock and PVCu Keep
- Space for three additional replacement gearboxes of your choice
- Smart and convenient way to carry Replacement Gearboxes
- Torx screw driver.

### Overview

A smart and convenient way to store and carry a comprehensive range of Yale Doormaster replacement gearboxes, included in the kit are the following:

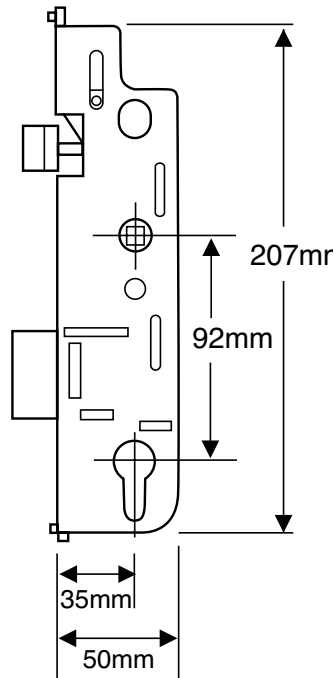
- 1x GU Old style 35/92 Latch and Deadbolt gearbox with single spindle
- 1x Lockmaster 35/92 Latch and Deadbolt gearbox with dual spindle
- 1x Lockmaster 35/92 Latch and Hookbolt gearbox with dual spindle
- 1x Lockmaster 45/92 Latch and Deadbolt gearbox with dual spindle
- 1x Lockmaster 35/92 Latch and Deadbolt gearbox with single spindle
- 1x Lockmaster 45/92 Latch and Deadbolt gearbox with single spindle
- 1x Mila old style 35/92 Latch and Deadbolt gearbox with spindle
- 1x Yale G2000 35/92 Latch and Hookbolt gearbox with double spindle
- 1x Yale YS170 35/92 Overnight Lock with dual spindle
- 1x Overnight Lock and Keep
- 1x Torx Driver

Gearboxes included:



Product Code	Finish	Mfr Ref.
L21695	Black	YDM-GB-KIT

YALE Doormaster Lever Operated Latch & Deadbolt Single Spindle Gearbox To Suit GU



Features

- Euro Profile Lock Case
- Latch & Deadbolt
- Old Style Centre Gearbox only
- Single spindle

Operation

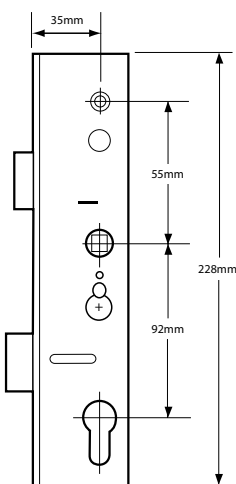
A - Lift lever to engage locking mechanisms and then one full turn of the cylinder to lock. One full turn of the key then push down on the lever to unlock.

Associated Products

- ASEC Lever/Lever 92mm Centres 220mm  
 Backplate UPVC Door Handles
- |        |        |
|--------|--------|
| L18404 | Black  |
| L18405 | Chrome |
| L18406 | Gold   |
| L18407 | White  |

Product Code	Backset	Centre Case	Centres	Mfr Ref.	Spindle
L18761	35mm	Latch & Deadbolt	92mm	YDM GB GU D35T	Single

YALE Doormaster Lever Operated Latch & Deadbolt Single Spindle Gearbox To Suit Lockmaster



Features

- Euro Profile Lock Case
- Latch & Deadbolt
- Centre Gearbox Only
- Single Spindle
- To suit Lockmaster

Operation

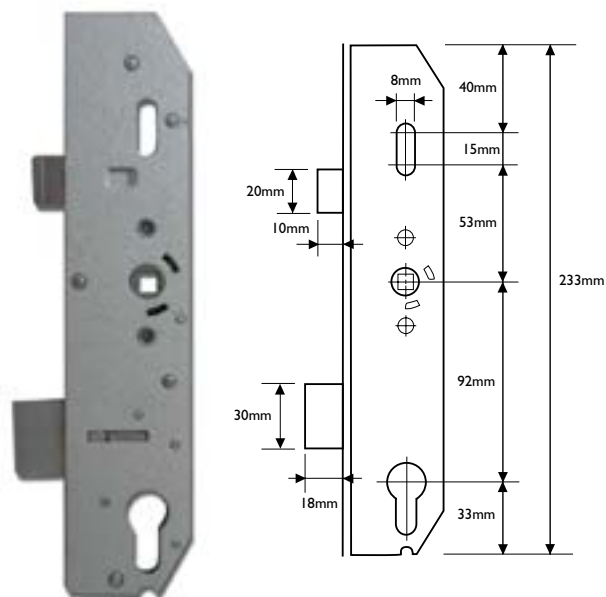
A - Lift lever to engage locking mechanisms and then one full turn of the cylinder to lock. One full turn of the key then push down on the lever to unlock.

Associated Products

- ASEC Lever/Lever 92mm Centres 220mm  
 Backplate UPVC Door Handles
- |        |        |
|--------|--------|
| L18404 | Black  |
| L18405 | Chrome |
| L18406 | Gold   |
| L18407 | White  |

Product Code	Backset	Centre Case	Centres	Mfr Ref.	Spindle
L18758	35mm	Latch & Deadbolt	92mm	YDM GBLMASTD 35T	Single
L18759	45mm	Latch & Deadbolt	92mm	YDM GBLMASATD 45T	Single

## YALE Doormaster Lever Operated Latch & Deadbolt Single Spindle Gearbox To Suit Mila



### Features

- Euro profile lock case
- Latch & Deadbolt
- Centre gearbox only
- Single spindle
- To suit Mila

### Operation

A - Lift lever to engage locking mechanisms and then one full turn of the cylinder to lock. One full turn of the key then push down on the lever to unlock.

### Associated Products

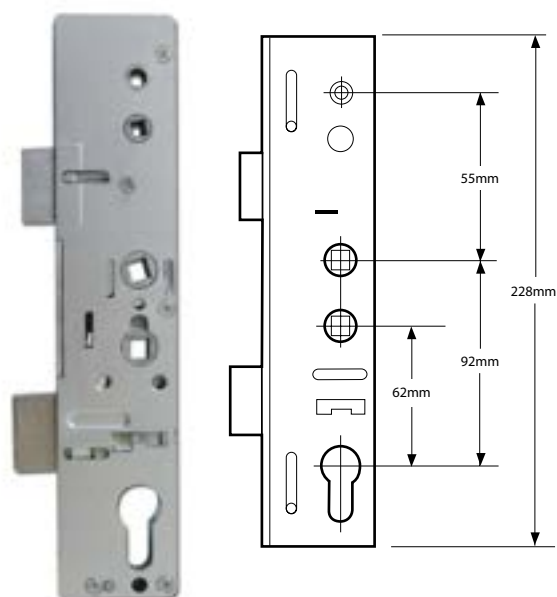
**ASEC Lever/Lever 92mm Centres 220mm**

**Backplate UPVC Door Handles**

L18404	Black
L18405	Chrome
L18406	Gold
L18407	White

Product code	Backset	Centre case	Centres	Mfr ref.	Spindle
L18762	35mm	Latch & Deadbolt	92mm	YDM GBM1LAD 35T	Single

## YALE Doormaster Lever Operated Latch & Deadbolt Twin Spindle Gearbox



### Features

- Euro profile lock case
- Latch & deadbolt
- Centre gearbox only
- Twin spindle
- To suit Lockmaster

### Operation

A - Lift lever to engage locking mechanisms and then one full turn of the cylinder to lock. One full turn of the key then push down on the lever to unlock.

### Associated Products

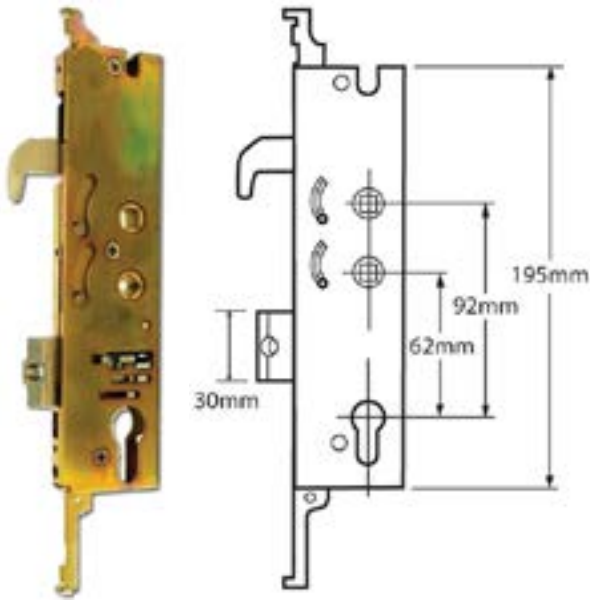
**ASEC Lever/Pad 92mm-62mm Centres**

**240mm Backplate UPVC Door Handles**

L18395	Chrome
L18396	Gold
L18397	White

Product Code	Backset	Centre Case	Centres	Mfr Ref.	Spindle
L18756	35mm	Latch & Deadbolt	92/62mm	YDM GB LGMUA SDT3D5 T35D	Twin
L18757	45mm	Latch & Deadbolt	92/62mm	YDM GBLMASTD 45D	Twin

**YALE Doormaster Lever Operated Latch & Hookbolt  
Twin Spindle Gearbox To Suit G2000**



**Features**

- Euro profile lock case
- Latch & hookbolt
- Centre gearbox only
- G2000 Series
- Twin spindle

**Operation**

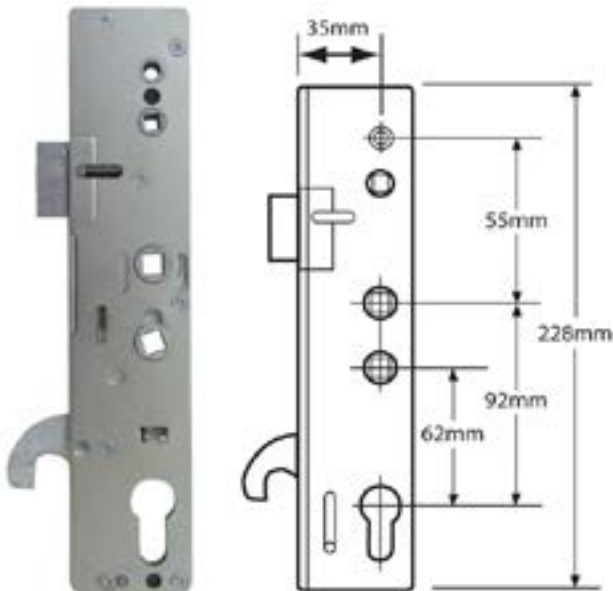
A - Lift lever to engage locking mechanisms and then one full turn of the cylinder to lock. One full turn of the key then push down on the lever to unlock.

**Associated Products**

- ASEC Lever/Pad 92mm-62mm Centres
- 240mm Backplate UPVC Door Handles
- L18395 Chrome
- L18396 Gold
- L18397 White

Product Code	Backset	Centre Case	Centres	Mfr Ref.	Spindle
L18760	35mm	Latch & Hookbolt	92/62mm	YDM GB GG2U0 OD0H353T5D	Twin

**YALE Doormaster Lever Operated Latch & Hookbolt  
Twin Spindle Gearbox To Suit Lockmaster**



**Features**

- Euro profile lock case
- Latch & hookbolt
- Centre gearbox only
- Twin spindle
- To suit Lockmaster

**Operation**

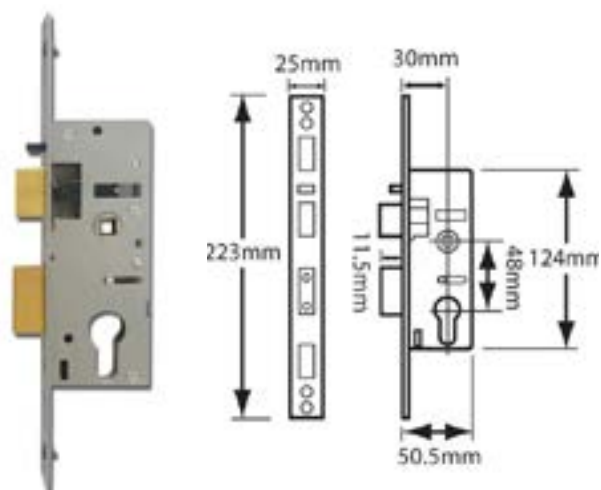
A - Lift lever to engage locking mechanisms and then one full turn of the cylinder to lock. One full turn of the key then push down on the lever to unlock.

**Associated Products**

- ASEC Lever/Pad 92mm-62mm Centres
- 240mm Backplate UPVC Door Handles
- L18395 Chrome
- L18396 Gold
- L18397 White

Product Code	Backset	Centre Case	Centres	Mfr Ref.	Spindle
L18755	35mm	Latch & Hookbolt	92/62mm	YDM GBLMASTH 35D	Twin

## YALE L22080 Euro Sashcase



## Features

- Euro Profile Sashcase
- Latch & Deadbolt
- Anti-thrust snib
- Reversible Latch Bolt
- Supplied without faceplate

## Operation

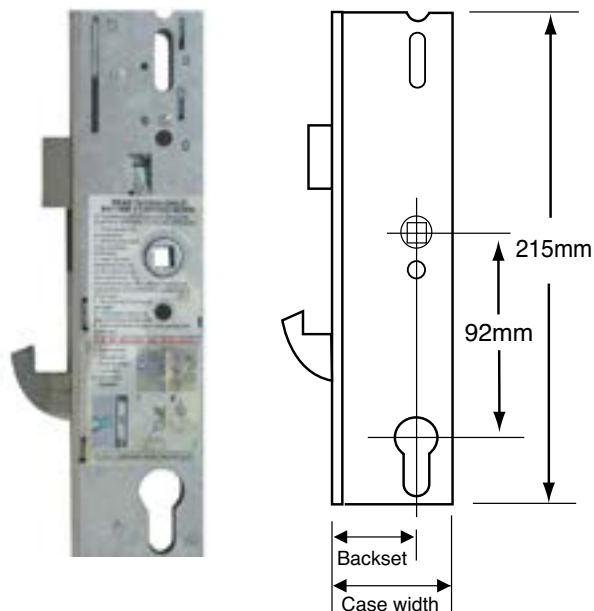
C - One full turn of the key to lock and one full turn of the key then push down on the lever to unlock, latch bolt can also be withdrawn by key.

## Associated Products

ASEC Lever/Lever 48 Centres 230mm  
 Backplate UPVC Door Handles  
 AS10193 White  
 AS10194 Gold

Product Code	Backset	Centre Case	Centres	Mfr Ref.	Spindle
L8501	30mm	Latch & Deadbolt	48mm	L22080	Single

## YALE YS170 Lever Operated Latch &amp; Hookbolt Split Spindle Gearbox



## Features

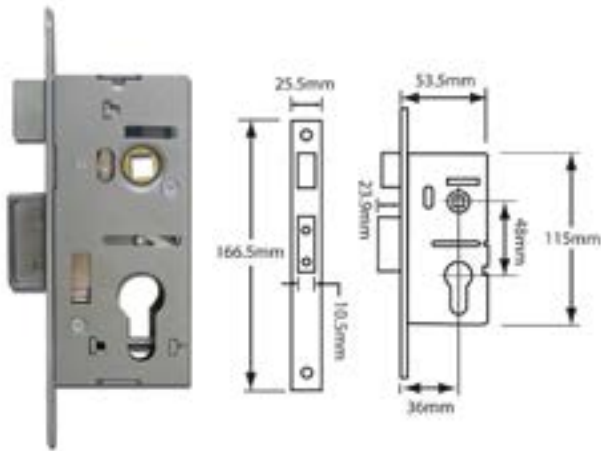
- To suit new Yale and Doormaster products
- Euro Profile Lock Case
- Latch & Hookbolt

## Operation

A - Lift lever to engage locking mechanisms and then one full turn of the cylinder to lock. One full turn of the key then push down on the lever to unlock.

Product Code	Backset	Centre Case	Centres	Case Width	Mfr Ref.	Spindle
L21819	35mm	Latch & Hookbolt	92mm	50mm	YS170	Split
L21820	45mm	Latch & Hookbolt	92mm	60mm	YS170	Split

## YALE L22070 Euro Sashcase



### Features

- Double throw deadbolt 1st throw =12mm, 2nd throw =12mm
- Suitable for metal doors
- Supplied without faceplate plus striking plate (to order only)
- Euro Profile Lock Case
- Reversible Latch Bolt
- Latch & Deadbolt

### Operation

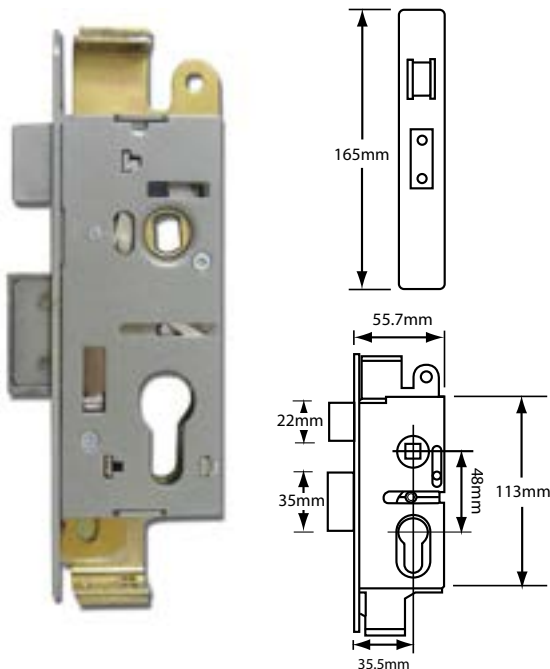
C - One full turn of the key to lock and one full turn of the key then push down on the lever to unlock, latch bolt can also be withdrawn by key.

### Associated Products

- ASEC Lever/Lever 48 Centres 230mm
- Backplate UPVC Door Handles
- AS10193 White
- AS10194 Gold

Product Code	Backset	Centre Case	Centres	Mfr Ref.	Spindle
L1419	36mm	Latch & Deadbolt	48mm	L22070	Single

## YALE L22172 Sashcase



### Features

- Shoot kit must be ordered separately
- 24mm double throw deadbolt
- Supplied without faceplate
- Special spindle required to operate lock (To order only)
- Euro profile sash case
- Reversible Latch Bolt

### Operation

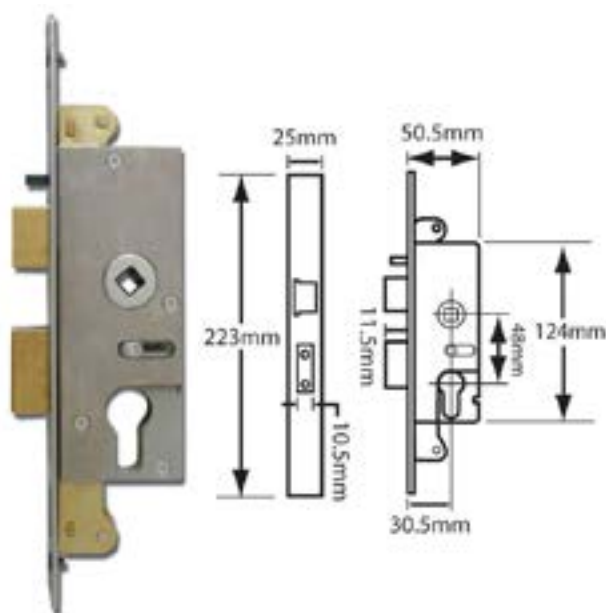
A - Lift lever to engage locking mechanisms and then one full turn of the cylinder to lock. One full turn of the key then push down on the lever to unlock.

### Associated Products

- ASEC Lever/Lever 48 Centres 230mm
- Backplate UPVC Door Handles
- AS10193 White
- AS10194 Gold

Product Code	Backset	Centre Case	Centres	Mfr Ref.	Spindle
L8500	36mm	Latch & Deadbolt	48mm	L22172	Single

## YALE L22180 Monarch Sashcase



### Features

- Shoot kit must be ordered separately
- 24mm double throw deadbolt
- Supplied without faceplate
- Special spindle required to operate lock (To order only)
- Reversible Latch Bolt
- Anti-thrust snib

### Notes

Also known as the Monarch lock.

### Associated Products

ASEC Lever/Lever 48 Centres 230mm

Backplate UPVC Door Handles

AS10193 White

AS10194 Gold

Product Code	Backset	Centre Case	Centres	Mfr Ref.	Spindle
L8499	30.5mm	Latch & Deadbolt	48mm	L22180	Single

UNION 21077 5 Lever APG Glass Door Deadlock



Features

- Deadbolt is locked or unlocked by key from either side.
- Available keyed alike or keyed alike in sets of 4

Overview

UNION Mortice Deadlock to suit glass doors

Associated Products

UNION KB145 Mortice Blank To Suit Union APG KYY  
4233 KB145

ASEC Mortice Blank To Suit UNION KYY  
AS11126 KYY COPY

Product Code	Finish	Keyed	Backset	Mfr Ref.	Case Depth	Case Height	Forend Length	Forend Width	Mechanism
L6013	Satin Brass	KA	24mm	21077	48mm	108mm	108mm	19mm	5 Lever
3484	Satin Brass	KA	24mm	21077	48mm	108mm	108mm	19mm	5 Lever

UNION 21079 5 Lever APG Glass Door Deadlock



Features

- Deadbolt is locked or unlocked by key from either side.

Overview

UNION Mortice Deadlock to suit glass doors

Associated Products

UNION KB145 Mortice Blank To Suit Union APG KYY  
4233 KB145

ASEC Mortice Blank To Suit UNION KYY  
AS11126 KYY COPY

Product Code	Finish	Keyed	Backset	Mfr Ref.	Case Depth	Case Height	Forend Length	Forend Width	Mechanism
4892	Satin Brass	KA	27mm	21079	51mm	108mm	152mm	22mm	5 Lever



## CISA 42022 Euro Gatelock

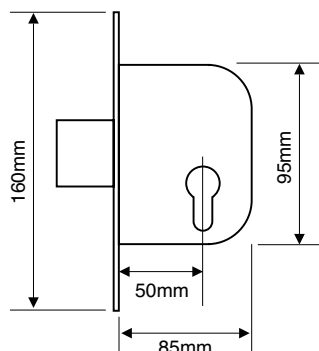


### Features

- Bolt can be cut to suit site requirements
- Supplied c/w Cisa 08510 euro profile double cylinder
- Deadbolt is locked or unlocked by key from either side using euro profile double cylinder.
- Bolt can be double thrown an extra 12mm by a full turn of the key towards the forend.

### Associated Products

SILCA CS206 To Suit Cisa  
 5287 Standard  
 L19616 CS206 Brass



Product Code	Keyed	Backset	Mfr Ref.	Case Depth	Case Height	Forend Length	Forend Width	Mechanism
4326	KD	50mm	42022	85mm	95mm	160mm	22mm	Euro Cylinder

## CISA 42111 Euro Gatelock

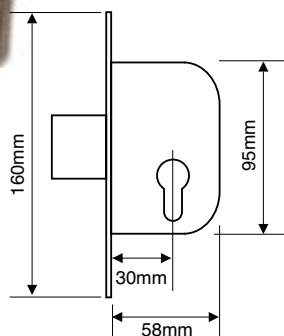


### Features

- Spring loaded bolt can be cut to suit site requirements
- Supplied c/w Cisa 08510 euro profile double cylinder
- Bolt is withdrawn by key from either side using euro profile double cylinder.

### Associated Products

SILCA CS206 To Suit Cisa  
 5287 Standard  
 L19616 CS206 Brass



Product Code	Keyed	Backset	Mfr Ref.	Case Depth	Case Height	Forend Length	Forend Width	Mechanism
L3963	KD	30mm	42111-30	58mm	95mm	160mm	22mm	Euro Cylinder

CISA 42311 Euro Gatelock

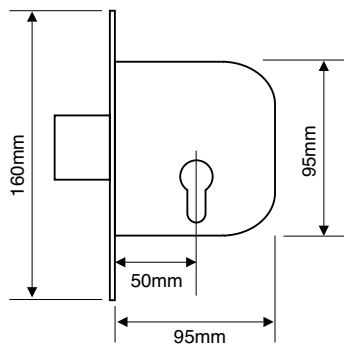


Features

- Spring loaded bolt can be cut to suit site requirements
- Supplied c/w Cisa 08510 euro profile double cylinder
- Bolt is withdrawn by handle from either side or by key from either side using euro profile double cylinder.
- Bolt can be thrown an extra 12mm and deadlocked by a full turn of the key towards the forend.
- Bolt Projection = 48mm thrown, 35mm withdrawn & 60mm deadlocked

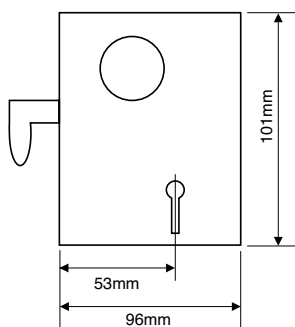
Associated Products

SILCA CS206 To Suit Cisa  
 5287 Standard  
 L19616 CS206 Brass



Product Code	Finish	Keyed	Backset	Mfr Ref.	Case Depth	Case Height	Forend Length	Forend Width	Mechanism
L268	Nickel Plated	KD	50mm	42311-50	95mm	95mm	160mm	22mm	Euro Cylinder

WILLENHALL LOCKS G14 5 Lever Gatelock



Operation

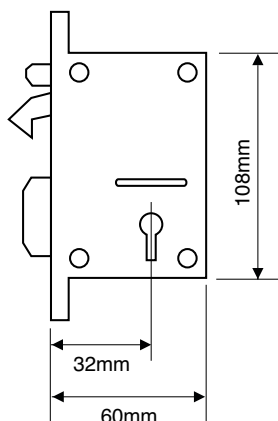
Hookbolt is released by thumb trigger from either side and deadlocked by key from either side.

Associated Products

ASEC Warded Mortice Blank To Suit UNION Boswick Gate  
 AS11123 Boswick gate

Product Code	Keyed	Backset	Mfr Ref.	Depth	Case Depth	Case Height	Mechanism
10341	KD	53mm	G14	18mm	96mm	101mm	5 Lever

## WILLENHALL LOCKS G17 5 Lever Gatelock



### Features

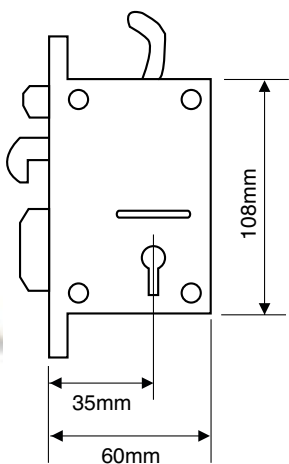
- Optional steel locking box available
- Hookbolt is locked or unlocked by key from either side.
- "Steady" bolts, located top and bottom, prevent the gate being lifted to release the hook.

### Associated Products

ASEC Warded Mortice Blank To Suit UNION Boswick Gate  
AS11123 Boswick gate

Product Code	Keyed	Backset	Mfr Ref.	Depth	Case Depth	Case Height	Mechanism
4438	KD	32mm	G17	18mm	60mm	108mm	5 Lever

## WILLENHALL LOCKS G19 5 Lever Trigger Action Gatelock



### Features

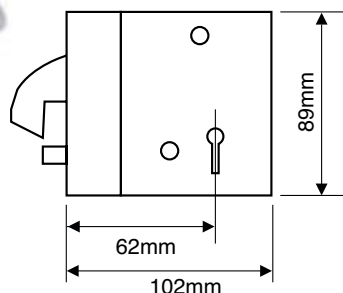
- Optional steel locking box available
- Hookbolt is locked or unlocked by key from either side, and can be deadlocked by key from either side.
- "Steady" bolts, located top and bottom, prevent the gate being lifted to release the hook.

### Associated Products

ASEC Warded Mortice Blank To Suit UNION Boswick Gate  
AS11123 Boswick gate

Product Code	Finish	Keyed	Backset	Mfr Ref.	Depth	Case Depth	Case Height	Mechanism
10343	Satin Brass	KD	35mm	G19	18mm	60mm	108mm	5 Lever

## WILLENHALL LOCKS G5 5 Lever Gatelock



### Features

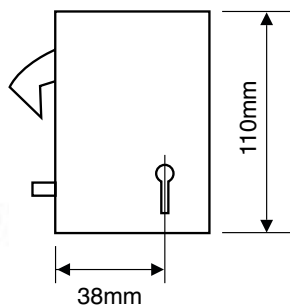
- Clutchbolt is locked or unlocked by key from either side.
- "Steady" bolt prevents the gate being lifted to release the hook.

### Associated Products

ASEC 13mm Mortice Blank  
AS11058 5 Gauge

Product Code	Finish	Keyed	Backset	Mfr Ref.	Depth	Case Depth	Case Height	Mechanism
4828	Satin Brass	KD	62mm	G5	19mm	102mm	89mm	5 Lever

## WILLENHALL LOCKS G8 5 Lever Gatelock



### Features

- Supplied c/w flat strike plate Optional steel locking box available
- "Steady" bolt prevents the gate being lifted to release the hook.
- Hookbolt is locked or unlocked by key from either side.

### Associated Products

ASEC Warded Mortice Blank To Suit UNION Boswick Gate  
AS11123 Boswick gate

Product Code	Finish	Keyed	Backset	Mfr Ref.	Depth	Case Depth	Case Height	Mechanism
10340	Satin Brass	KD	38mm	G8	18mm	68mm	110mm	5 Lever

## ADAMS RITE 0424 Strike



### Features

---

- Suitable for use on MS2200 Adams Rite deadbolt

Product Code	Finish	Mfr Ref.	Style
L9469	Satin Anodised Aluminium	0424 02 628	Flat

## ADAMS RITE 1850 Faceplate



### Features

---

- Suitable for use on the 1850 series of Adams Rite locks
- Available in a flat / radius or with weather strip attached to suit the aluminium profile

Product Code	Finish	Mfr Ref.	Style	Bolt
4449	Anodised Aluminium	24 1850 010 628	Flat	Dead
4451	Anodised Aluminium	24 1850 050 628	Flat	Hook
4453	Anodised Aluminium	24 1850 110 628	Radius	Dead
4456	Anodised Aluminium	24 1850 150 628	Radius	Hook
4461	Anodised Aluminium	24 1850 410 628	Weather Strip	Dead
4458	Anodised Aluminium	24 1850 450 628	Weather Strip	Hook

## ADAMS RITE 1890 Faceplate



### Features

- Suitable for use on the 1890 series of Adams Rite locks
- Available in a flat / radius or with weather strip attached to suit the aluminium profile

Product Code	Finish	Mfr Ref.	Style
4439	Satin Anodised Aluminium	1890 050 628	Flat
4442	Satin Anodised Aluminium	1890 150 628	Radius
4446	Satin Anodised Aluminium	1890 450 628	WeatherStrip

## ADAMS RITE 2200 Faceplate



### Features

- Suitable for use on the MS2200 series of Adams Rite locks
- Available in a flat / radius or with weather strip attached to suit the aluminium profile

Product Code	Finish	Mfr Ref.	Style	Bolt
4469	Anodised Aluminium	MS2200 010 628	Flat	Dead
4471	Anodised Aluminium	MS2200 050 628	Flat	Hook
4473	Anodised Aluminium	MS2200 110 628	Radius	Dead
4859	Anodised Aluminium	MS 2200 150 628	Radius	Hook
L2688	Anodised Aluminium	2200 410 628	Weather Strip	Dead
4478	Anodised Aluminium	2200 450 628	Weather Strip	Hook

## ADAMS RITE 4000 Strike Plate



### Features

---

- Suitable for use on the 1850 series of Adams Rite locks
- Available in a flat / radius to suit the aluminium profile

Product Code	Finish	Mfr Ref.	Depth	Height	Width	To Suit
4488	Anodised Aluminium	4000 012 628	3mm	124mm	32mm	Flat Dead
4491	Anodised Aluminium	4000 032 628	3mm	124mm	32mm	Flat Hook
4496	Anodised Aluminium	4000 112 628	3mm	124mm	32mm	Radius Dead
4499	Anodised Aluminium	4000 132 628	3mm	124mm	32mm	Radius Hook

## ADAMS RITE 4051 Trim Faceplate



### Features

---

- Suitable for use on the MS2200 series of Adams Rite locks
- Flat faceplate

Product Code	Finish	Mfr Ref.	Depth	Height	Width	Style
L9607	Anodised Aluminium	4051-032-628	3mm	163mm	25mm	Flat

## ADAMS RITE 4505 Strike



### Features

---

- Box strike plate for use with MS1890 series locks

Product Code	Finish	Depth	Height	Width	Style
4521	Stainless Steel	21mm	152mm	48mm	Flat

## ADAMS RITE 4710 Weatherstrip Faceplate



### Features

- For use with 4700 Series of Adams Rite locks
- Faceplate with pre installed weather strip

Product Code	Finish	Mfr Ref.	Height	Screw Centres	Width	Style
4405	Aluminium	4710-400-628	69.5mm	53.5mm	25.4mm	Flat

## ADAMS RITE 4720 Faceplate



### Features

- For use with 4720ANSI Series of Adams Rite locks

Product Code	Finish	Mfr Ref.	Style
L2686	Satin Aluminium	24-4720-001-628	Flat

## ADAMS RITE 4730 Faceplate



### Features

- For use with 4730 Series of Adams Rite locks

Product Code	Finish	Mfr Ref.	Style
4407	Satin Aluminium	24-4730-002-628	Flat



## ADAMS RITE 4801 Strike



### Features

- Supplied c/w plastic spacer and fixing screws
- Vertical adjustment
- Designed for use with MS1848 patio deadlock

Product Code	Finish	Mfr Ref.	Height	Width
4524	Anodised Aluminium	4801	100mm	19mm

## ADAMS RITE 8360 01 630 Ansi Latch Strike



### Features

- Latch is automatically deadlocked when the door is in the closed position
- All faceplates and strike plates must be ordered separately
- Suitable for use in hollow metal or wooden doors
- NB: The use of lever handles is not recommended for wooden doors

Product Code	Finish	Mfr Ref.	Style
L2687	Stainless Steel	8360-01-630	Flat

## ADAMS RITE 8460 Strike



### Features

- For use with 4910 Series of Adams Rite locks
- Supplied c/w fixing screws

Product Code	Finish	Mfr Ref.	Height	Depth	Width	Style
4514	Stainless Steel	8460-01-630	105mm	16mm	48mm	Flat
L2684	Stainless Steel	8460-17	105mm	16mm	48mm	Long Lip
4518	Stainless Steel	8460-02-630	105mm	16mm	48mm	Radius

## ADAMS RITE 4056 Trim Ring



### Features

- Suitable for use on the 4056 series of Adams Rite round mortice cylinders
- Spare spacer rings for screw-in cylinders fit in between cylinder and the surface of the door
- Available in 3mm and 6mm

Product Code	Finish	Diameter	Mfr Ref.	Depth
4592	Satin Chrome	25mm	4056-3	3mm
972	Satin Chrome	25mm	4056-6	6mm

## ADAMS RITE 4104 01 Radius Mounting Bridging Clips

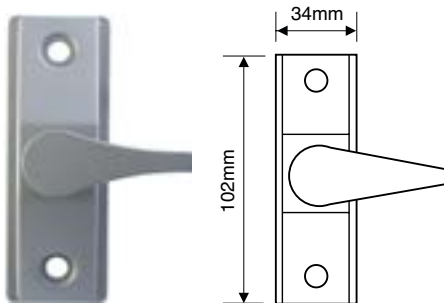


### Features

- Mounting bridge supplied in pairs
- Supplied c/w fixing screws

Product Code	Mfr Ref.	Style
4711	4104-01	Radius

## ADAMS RITE 4565 501 130 Handle & Cam



### Features

- For use with 4700 Series of Adams Rite locks
- Complete with cam plug, 16mm spindle length for use with 4700 Series
- Thumbturn lever satin anodised

Product Code	Finish	Handed	Height	Mfr Ref.	Width
4702	Satin Chrome	Left Hand	102mm	4565-501-130	34mm

## ADAMS RITE 4565 Cam &amp; Handle To Suit 4700



### Features

- For use with 4700 Series of Adams Rite locks
- 6.35mm spindle
- Not intended to be used as a door pull
- Supplied with cam



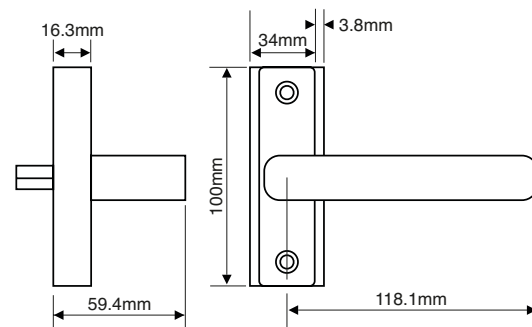
Product Code	Finish	Mfr Ref.	Spindle
L10341	Anodised Aluminium	4568-011-130	6.35mm

## ADAMS RITE 4568 Handle To Suit MS1890



### Features

- Suitable for use on the 1890 series of Adams Rite locks



Product Code	Finish	Mfr Ref.	Spindle
4693	Satin Aluminium	4568 012 130	6.35mm

## ADAMS RITE 4591 Paddle Handle To Suit 4700 & 4900 Series



### Features

- Suitable for use on aluminium and steel doors

### Overview

The Adams Rite 4591 paddle Handle is designed for simple push or pull operation as an alternative to a lever handle For use with the 4700/4900 series deadlatch (expect 4750) and the MS+1890 Latch/Deadlock



Product Code	Finish	Handed	Mfr Ref.
L13453	Silver Enamelled	Left Hand Pull	4591-01-01-628
L13454	Silver Enamelled	Left Hand Push	4591-02-01-628
L13455	Silver Enamelled	Right Hand Pull	4591-03-01-628
L13456	Silver Enamelled	Right Hand Push	4591-04-01-628

## ADAMS RITE 4591 Paddle Handle To Suit MS1890 Series



### Features

- Suitable for use on aluminium and steel doors

### Overview

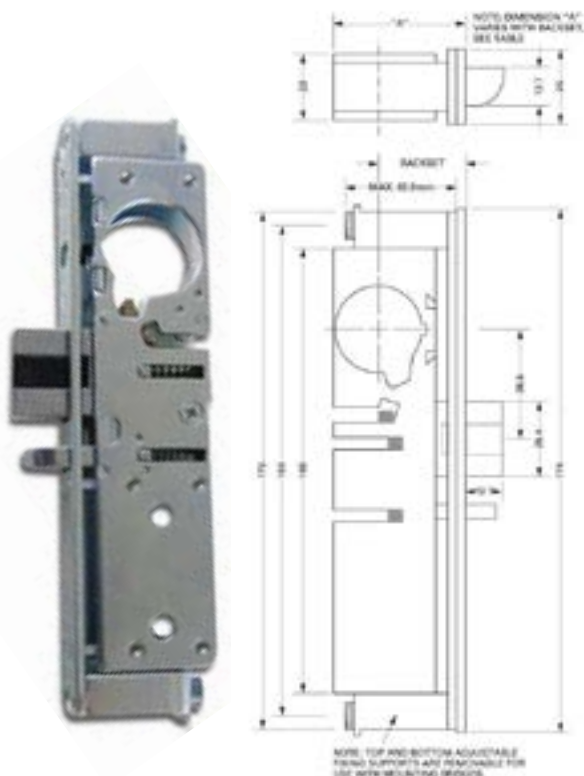
The Adams Rite 4591 paddle Handle is designed for simple push or pull operation as an alternative to a lever handle For use with the 4700/4900 series deadlatch (expect 4750) and the MS+1890 Latch/Deadlock



Product Code	Finish	Handed	Mfr Ref.
L13457	Silver Enamelled	Left Hand Pull	4591-11-01-628
L13458	Silver Enamelled	Left Hand Push	4591-12-01-628
L13459	Silver Enamelled	Right Hand Pull	4591-13-01-628
L13460	Silver Enamelled	Right Hand Push	4591-14-01-628

## ADAMS RITE 4710 Mortice Deadlatch Case

22 24 28 38

Adams  
Rite  
ASSA ABLOY

## Features

- Latch is automatically deadlocked when door is in the closed position
- All faceplates and strike plates must be ordered separately

## Associated Products

ADAMS RITE MS4043 Cylinder Guard  
4608 ZP

ADAMS RITE 8460 Strike  
4514 SS Flat  
4518 SS Radius  
L2684 SS Long Lip (4")

ADAMS RITE 4710 Weatherstrip Faceplate  
4405 Weatherstrip

ADAMS RITE 4700 Faceplate  
4399 SAA Flat  
4402 SAA Radius

ADAMS RITE 4591 Paddle Handle To Suit 4700 & 4900 Series  
L13453 LH Pull  
L13454 LH Push  
L13455 RH Pull  
L13456 RH Push

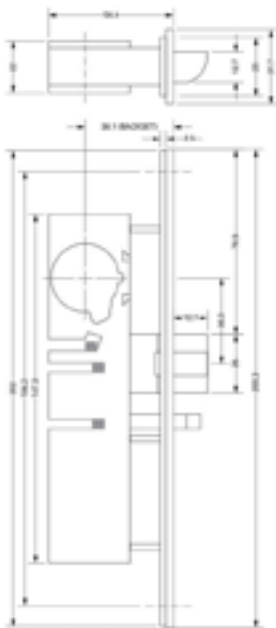
ADAMS RITE 4565 501 130 Handle & Cam  
4702 4565 501 130 Handle & Cam

ADAMS RITE 4561 Cam & Handle  
4697 SAA (discontinued)

ADAMS RITE 4104 01 Radius Mounting Bridging Clips  
4711 1 Pair

Product Code	Finish	Backset	Mfr Ref.	Case Depth	Case Height	Forend Length	Forend Width	Mechanism
L550	Anodised Aluminium	22mm	4710-100	38mm	173mm	174mm	26mm	Screw In Cylinder
4332	Anodised Aluminium	24mm	4710-200	41mm	173mm	174mm	26mm	Screw In Cylinder
4336	Anodised Aluminium	28mm	4710-300	45mm	173mm	174mm	26mm	Screw In Cylinder
4337	Anodised Aluminium	38mm	4710-400	54mm	173mm	174mm	26mm	Screw In Cylinder

## ADAMS RITE 4720 ANSI Mortice Deadlatch Case



### Features

- Latch is automatically deadlocked when the door is in the closed position
- All faceplates and strike plates must be ordered separately
- Suitable for use in hollow metal or wooden doors  
(The use of lever handles is not recommended for wooden doors)

### Associated Products

ADAMS RITE MS4043 Cylinder Guard  
4608 ZP

ADAMS RITE 8460 Strike  
4514 SS Flat  
4518 SS Radius  
L2684 SS Long Lip (4")

ADAMS RITE 8360 01 630 Ansi Latch Strike  
L2687 8360 01 630 Ansi Strike

ADAMS RITE 4720 Faceplate  
L2686 SAA Flat

ADAMS RITE 4591 Paddle Handle To Suit 4700 & 4900 Series  
L13453 LH Pull  
L13454 LH Push  
L13455 RH Pull  
L13456 RH Push

ADAMS RITE 4568 Handle To Suit MS1890  
4693 SAA

ADAMS RITE 4565 501 130 Handle & Cam  
4702 4565 501 130 Handle & Cam

ADAMS RITE 4104 01 Radius Mounting Bridging Clips  
4711 1 Pair

Product Code	Finish	Backset	Mfr Ref.	Case Depth	Case Height	Forend Length	Forend Width	Mechanism
L2685	Anodised Aluminium	38mm	4720-401	54mm	147mm	203mm	32mm	Screw In Cylinder

## ADAMS RITE 4730 Mortice Deadlatch Case

22

24

28



### Features

- Latch is automatically deadlocked when the door is in the closed position
- All faceplates and strike plates must be ordered separately
- This lockcase can be used as a direct replacement for the MS1850

### Associated Products

**ADAMS RITE MS4043 Cylinder Guard**  
4608 ZP

**ADAMS RITE 8460 Strike**  
4514 SS Flat  
4518 SS Radius  
L2684 SS Long Lip (4")

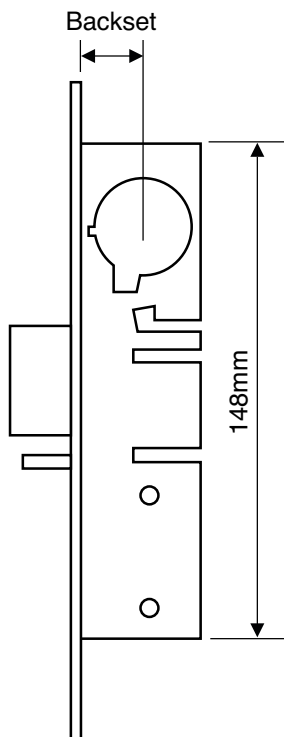
**ADAMS RITE 4730 Faceplate**  
4407 SAA Flat  
4409 SAA Radius (discontinued)

**ADAMS RITE 4591 Paddle Handle To Suit 4700 & 4900 Series**  
L13453 LH Pull  
L13454 LH Push  
L13455 RH Pull  
L13456 RH Push

**ADAMS RITE 4565 501 130 Handle & Cam**  
4702 4565 501 130 Handle & Cam

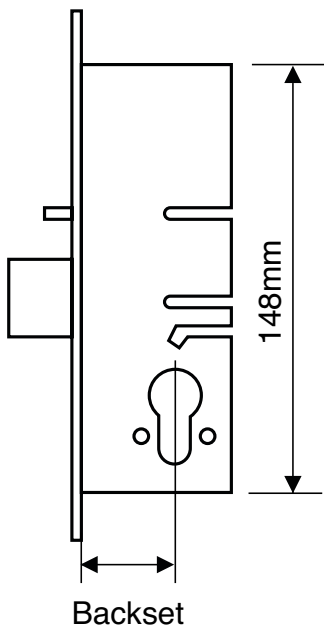
**ADAMS RITE 4561 Cam & Handle**  
4697 SAA (discontinued)

**ADAMS RITE 4104 01 Radius Mounting Bridging Clips**  
4711 1 Pair



Product Code	Finish	Backset	Mfr Ref.	Case Depth	Case Height	Forend Length	Forend Width	Mechanism
4313	Anodised Aluminium	22mm	4730-100	35mm	148mm	188mm	26mm	Screw In Cylinder
4316	Anodised Aluminium	24mm	4730-200	38mm	148mm	188mm	26mm	Screw In Cylinder
4319	Anodised Aluminium	28mm	4730-300	41mm	148mm	188mm	26mm	Screw In Cylinder

## ADAMS RITE 4750 Mortice Euro Deadlatch Case



### Features

- Latch is automatically deadlocked when door is in the closed position
- All faceplates and strike plates must be ordered separately
- Can be used in conjunction with the 7100 series Electric Strike to provide remote access control.
- Operates with 17mm Euro cylinder
- When used with 4596 paddle handle and 8461 strike range it complies with BS EN 179+A1:1998
- Suitable for use on aluminium doors.

### Operation

The Adams Rite 4750 Deadlatch offers flexible traffic control and a good level of security.

### Associated Products

#### ADAMS RITE 8460 Strike

- 4514 SS Flat
- 4518 SS Radius
- L2684 SS Long Lip (4")

#### ADAMS RITE 4720 Faceplate

- L2686 SAA Flat

#### ADAMS RITE 4720 ANSI Mortice Deadlatch Case

- L2685 38mm SAA

#### ADAMS RITE 4710 Weatherstrip Faceplate

- 4405 Weatherstrip

#### ADAMS RITE 4700 Faceplate

- 4399 SAA Flat
- 4402 SAA Radius

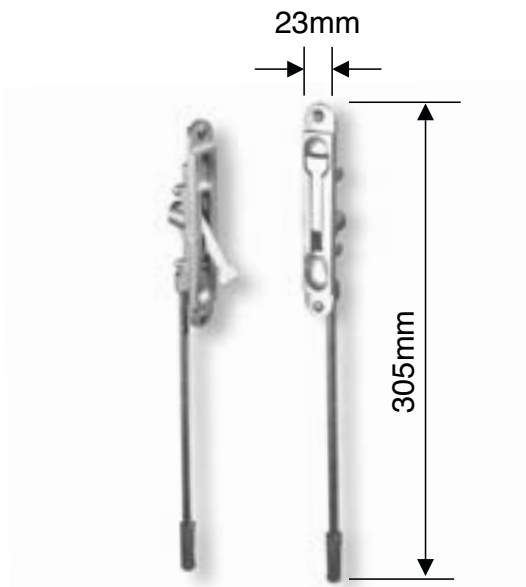
#### ADAMS RITE 4104 01 Radius Mounting Bridging Clips

- 4711 1 Pair

Product Code	Finish	Backset	Mfr Ref.	Case Height	Forend Length	Forend Width	Mechanism
L2683	Anodised Aluminium	24mm	4751-200	148mm	175mm	26mm	Euro Cylinder
L551	Anodised Aluminium	28mm	4751-300	148mm	175mm	26mm	Euro Cylinder
L21690	Anodised Aluminium	37mm	4751-400	148mm	175mm	26mm	Euro Cylinder



## ADAMS RITE 6201-6-12 Flat Flush Bolt



### Features

- Die cast zinc alloy body mechanism
- Hardened steel bolt, zinc plated with an anti rattle sleeve
- 18mm bolt throw
- 7mm zinc plated steel rod, 40mm thread length

Product Code	Finish	Mfr Ref.	Depth	Width	Style
L12214	Satin Chrome	1571072	26.5mm	23mm	Square Forend

## ADAMS RITE 6201-7-12 Radius Flush Bolt

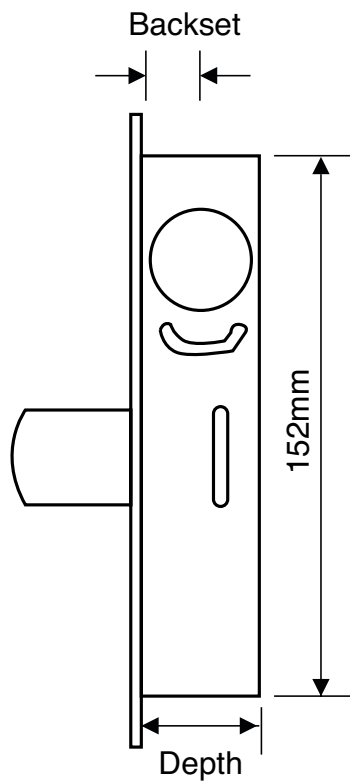


### Features

- Die cast zinc alloy body mechanism
- Hardened steel bolt, zinc plated with an anti rattle sleeve
- 18mm bolt throw
- 7mm zinc plated steel rod, 40mm thread length

Product Code	Finish	Mfr Ref.	Depth	Width	Style
L12213	Satin Chrome	1571102	26.5mm	23mm	Radius Forend

## ADAMS RITE MS1850 Mortice Deadlock Case



### Features

- This deadbolt versions provides security for hinged and sliding aluminium doors
- Available in a variety of backsets
- All faceplates and strike plates must be ordered separately

### Associated Products

ADAMS RITE MS4043 Screw In Cylinder Security Guard  
4608 Zinc Plated

ADAMS RITE 4000 Barbolt Deadlock Strike Plate  
4488 Flat  
4496 Radius

ADAMS RITE 4000 Hookbolt Faceplate Trim  
4491 Flat  
4499 Radius

ADAMS RITE 4002 Hookbolt Armoured Reinforcing Strike Plate  
4534 Steel

ADAMS RITE MS1850 Barbolt Deadlock Faceplate Trim  
4449 Flat  
4453 Radius

ADAMS RITE MS1850 Hookbolt Faceplate Trim  
4451 Flat  
4456 Radius

ADAMS RITE Aluminium Weatherstrip Faceplate To Suit MS1850 Barbolt Deadlock  
4461 Radius

ADAMS RITE Aluminium Weatherstrip Faceplate To Suit MS1850 Hookbolt  
4458 Radius

ADAMS RITE Mounting Bridging Clips  
4711 1 Pair

Product Code	Finish	Backset	Mfr Ref.	Case Depth	Case Height	Forend Length	Forend Width	Monitored
4216	Anodised Aluminium	22mm	MS1850-110	40mm	152mm	175mm	26mm	No
4218	Anodised Aluminium	24mm	MS1850-210	41.5mm	152mm	175mm	26mm	No
4221	Anodised Aluminium	28mm	MS1850-310	45mm	152mm	175mm	26mm	No
4225	Anodised Aluminium	38mm	MS1850-410	57mm	152mm	175mm	26mm	No

## ADAMS RITE MS1850 Mortice Hooklock Case



### Features

- This both hook bolt versions provides security for hinged and sliding aluminium doors
- Available in a variety of backsets
- All faceplates and strike plates must be ordered separately

### Associated Products

ADAMS RITE MS4043 Cylinder Guard

4608 ZP

ADAMS RITE MS4002 Hook Reinforcing Plate

4534 Steel

ADAMS RITE 4104 01 Radius Mounting Bridging Clips

4711 1 Pair

ADAMS RITE 4000 Strike Plate

4488 SAA Flat Dead

4491 SAA Flat Hook

4496 SAA Radius Dead

4499 SAA Radius Hook

ADAMS RITE 1850 Faceplate

4449 SAA Flat Dead

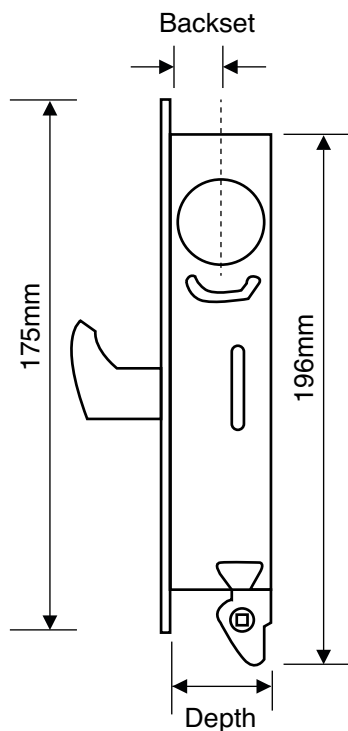
4451 SAA Flat Hook

4453 SAA Radius Dead

4456 SAA Radius Hook

4458 Weather Strip Hook

4461 Weather Strip Dead



Product Code	Finish	Backset	Mfr Ref.	Case Depth	Case Height	Forend Length	Forend Width	Monitored
4249	Anodised Aluminium	22mm	MS1850-150	40mm	152mm	175mm	26mm	No
4253	Anodised Aluminium	24mm	MS1850-250	41.5mm	152mm	175mm	26mm	No
L13130	Anodised Aluminium	24mm	MS1850M-250	41.5mm	152mm	175mm	26mm	Yes
4255	Anodised Aluminium	28mm	MS1850-350	45mm	152mm	175mm	26mm	No
L13131	Anodised Aluminium	28mm	MS1850M-350	45mm	152mm	175mm	26mm	Yes
4259	Anodised Aluminium	38mm	MS1850-450	57mm	152mm	175mm	26mm	No

## ADAMS RITE MS1890 Mortice Hooklatch Case



### Features

- 360° turn of key throws or retracts hookbolt When unlocked further 120° turn retracts latchbolt also
- Latch holdback snib located inside bolt cavity, this is accessible only when hookbolt is in thrown position
- Available in a variety of backsets
- All faceplates and strike plates must

### Associated Products

**ADAMS RITE MS4043 Cylinder Guard**  
4608 ZP

**ADAMS RITE MS1890 Mortice Hooklatch Case**  
4340 24mm SAA  
4343 28mm SAA  
4345 38mm SAA

**ADAMS RITE 4591 Paddle Handle To Suit MS1890 Series**  
L13457 LH Pull  
L13458 LH Push  
L13459 RH Pull  
L13460 RH Push

**ADAMS RITE 4568 Handle To Suit MS1890**  
4693 SAA

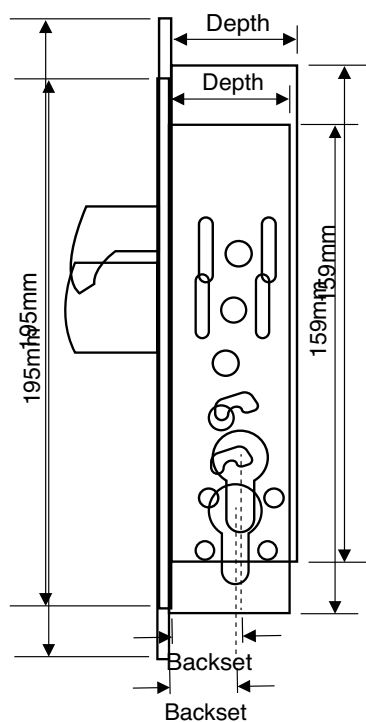
**ADAMS RITE 4505 Strike**  
4521 SS Flat

**ADAMS RITE 4104 01 Radius Mounting Bridging Clips**  
4711 1 Pair

**ADAMS RITE 1890 Faceplate**  
4439 SAA Flat  
4442 SAA Radius  
4446 Weather Strip

Product Code	Finish	Backset	Case Depth	Case Height	Forend Length	Forend Width	Mechanism
4340	Anodised Aluminium	24mm	40mm	196mm	175mm	26mm	Screw In Cylinder
4343	Anodised Aluminium	28mm	44mm	196mm	175mm	26mm	Screw In Cylinder
4345	Anodised Aluminium	38mm	57mm	196mm	175mm	26mm	Screw In Cylinder

## ADAMS RITE MS2200 Mortice Deadlock Case



### Features

- All faceplates and strike plates must be ordered separately
- Easily converted to 2/3 point locking by using 4022-18 header and threshold bolt (To order only)
- Available in a variety of backsets
- Easily converted to 2/3 point locking by using 4022-18 header and threshold bolt (To order only)
- Available in a variety of backsets

### Associated Products

#### ADAMS RITE 4051 Hookbolt Faceplate Trim

L9607 Flat

#### ADAMS RITE 4052 Barbolt Deadlock Armoured Reinforcing Strike Plate

L9606 Steel

#### ADAMS RITE Aluminium Strike Plate To Suit MS2200 Barbolt Deadlock

4469 Flat

4473 Radius

#### ADAMS RITE Aluminium Strike Plate To Suit MS2200 Hookbolt

4471 Flat

4859 Radius

#### ADAMS RITE Aluminium Weatherstrip Faceplate To Suit MS2200 Hookbolt

L2688 Radius

#### ADAMS RITE Aluminium Weatherstrip Faceplate To Suit MS2200 Barbolt Deadlock

4478 Radius

#### ADAMS RITE Aluminium Large Strike Plate To Suit MS2200 Hookbolt

L9469 Flat

#### ADAMS RITE Mounting Bridging Clips

4711 1 Pair

Product Code	Finish	Backset	Mfr Ref.	Case Depth	Case Height	Forend Length	Forend Width	Mechanism	Monitored
L4445	Anodised Aluminium	25mm	MS2200-110	41mm	159mm	195mm	26mm	Euro Cylinder	No
L13132	Anodised Aluminium	25mm	MS2200M-110	41mm	159mm	195mm	26mm	Euro Cylinder	Yes
L4446	Anodised Aluminium	30mm	MS2200-210	46mm	159mm	195mm	26mm	Euro Cylinder	No
L13133	Anodised Aluminium	30mm	MS2200M-210	46mm	159mm	195mm	26mm	Euro Cylinder	Yes

## ADAMS RITE MS2200 Mortice Hooklock Case



### Features

- All faceplates and strike plates must be ordered separately
- Monitored hookbolt cases available
- Hookbolt is suitable for sliding doors
- Easily converted to 2/3 point locking by using 4022-18 header and threshold bolt
- 5 Ply Laminated Steel lock bolt with patented Alumina-Ceramic Anti-Saw Core
- 20mm hook bolt throw

### Operation

The Adams Rite MS®2200 deadlock provides maximum security locking for both swing and sliding aluminium doors using a euro profile cylinder.

### Associated Products

**ADAMS RITE MS4052 Reinforcing Plate**  
L9606 Plated Steel

**ADAMS RITE 4104 01 Radius Mounting Bridging Clips**  
4711 1 Pair

**ADAMS RITE 4051 Trim Faceplate**  
L9607 SAA

**ADAMS RITE 2200 Faceplate**  
4469 SAA Flat Dead  
4471 SAA Flat Hook  
4473 SAA Radius Dead  
4478 Weather Strip Hook  
4859 SAA Radius Hook  
L2688 Weather Strip Dead

**ADAMS RITE 0424 Strike**  
L9469 SAA Flat Hook

Product Code	Finish	Backset	Mfr Ref.	Case Depth	Case Height	Forend Length	Forend Width	Mechanism	Monitored
L4447	Anodised Aluminium	25mm	MS2200-150	41mm	159mm	195mm	26mm	Euro Cylinder	No
L13134	Anodised Aluminium	25mm	MS2200M-150	41mm	159mm	195mm	26mm	Euro Cylinder	Yes
L4448	Anodised Aluminium	30mm	MS2200-250	46mm	159mm	195mm	26mm	Euro Cylinder	No
L13135	Anodised Aluminium	30mm	MS2200M-250	46mm	159mm	195mm	26mm	Euro Cylinder	Yes
L22870	Anodised Aluminium	40mm	MS2200-350	50mm	159mm	195mm	26mm	Euro Cylinder	No

## ADAMS RITE MS4002 Hook Reinforcing Plate



### Features

- For use with 1850 Barbolt Series of Adams Rite locks
- Supplied c/w fixing screws

### Associated Products

#### ADAMS RITE 4000 Strike Plate

4488	SAA Flat Dead
4491	SAA Flat Hook
4496	SAA Radius Dead
4499	SAA Radius Hook

Product Code	Finish	Mfr Ref.	Depth	Height	Width
4534	Plated Steel	MS4002	18mm	270mm	28mm

## ADAMS RITE MS4043 Cylinder Guard



### Features

- Outer shield ring is bevelled to offer poor grip for twisting
- The hardened steel material combined with the bevelled shape makes obtaining a tight grip on the ring virtually impossible.
- The retainer plate on the back of the door prevents the cylinder being levered out in the event of a chisel type tool being driven into the stile behind the shield ring.

Product Code	Finish	Diameter	Mfr Ref.	Depth	Retainer Size
4608	Zinc Plated	41mm	MS4043	11mm	62mm x 33mm

## ADAMS RITE MS4052 Reinforcing Plate



### Features

- For use with 2200 Barbolt Series of Adams Rite locks
- Supplied c/w fixing screws

### Associated Products

#### ADAMS RITE 4051 Trim Faceplate

L9607	SAA
-------	-----

Product Code	Finish	Mfr Ref.	Depth	Height	Width
L9606	Plated Steel	MS4052 050	18mm	270mm	24mm

## ALPRO 300mm Flush Bolt C/W Guide



### Features

- Die cast zinc alloy operation mechanism
- Silver finish
- Complete with bolt guide
- Spring loaded floor sockets available on request
- Flat or radius profiles available

### Overview

Flushbolts are used to facilitate the locking of the inactive leaf of a pair of aluminium, steel or timber doors. Complete with the necessary flushbolt guide and optional spring loaded floor sockets, the flushbolts allow both a secure and aesthetically pleasing locking solution.

### Associated Products

#### ALPRO Euro Profile Metal Door Lock Deadlatch Case

- L22544 25mm Backset - Left Hand
- L22545 25mm Backset - Left Hand
- L22546 30mm Backset - Right Hand
- L22547 30mm Backset - Right Hand

#### ALPRO Euro Profile Metal Door Lock Hooklock Case

- L22535 25mm Backset
- L22536 30mm Backset

#### ALPRO Screw-In Mortice Deadlatch Case

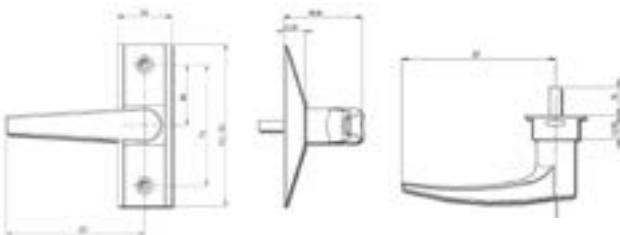
- L21722 RH - 25mm Backset

#### ALPRO 5245 Screw In Cylinder Metal Door Lock Deadlatch Case

- L22549 25mm Backset
- L22538 25mm Backset
- L22539 28mm Backset
- L22541 25mm Backset
- L22542 28mm Backset
- L22548 28mm Backset

Product Code	Body Length	Body Width	Finish	Mfr Ref.	Notes
L22560	144mm	22.5mm	Satin Chrome	60FSAA	Square Forend
L22561	144mm	22.5mm	Satin Chrome	60RSAA	Radius Forend

## ALPRO 456 Lever Handle



### Features

- Suit 44mm thick doors
- Cam plug non-handed - reversible in the field

### Overview

456 Lever handles are designed to be ergonomically friendly and practical. Coming complete with cam plug enables the lever handles to be used in conjunction with the 524510 deadlatch range of locks.

### Associated Products

#### ALPRO 5245 Screw In Cylinder Metal Door Lock Deadlatch Case

- L22548 28mm Backset
- L22549 25mm Backset

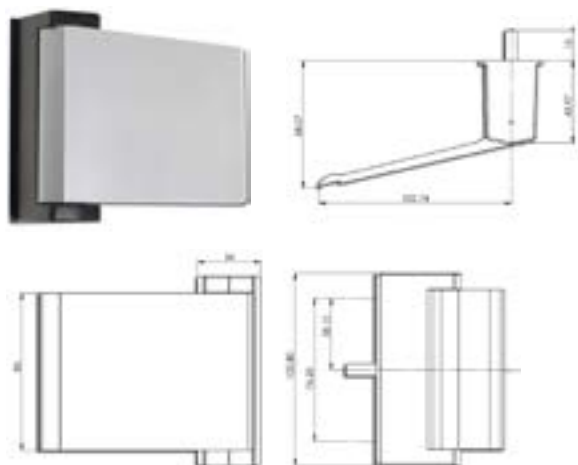
#### ALPRO Screw-In Mortice Deadlatch Case

- L21722 RH - 25mm Backset

Product Code	Finish	Handed	Mfr Ref.
L22555	Satin Anodised Aluminium	Left Hand	5245602
L22554	Satin Anodised Aluminium	Right Hand	5245601



## ALPRO 459 Paddle Handle C/W Cam Plug



### Features

- Paddle handle for use with deadlatches
- Suit 44mm thick doors
- Cam plug non-handed - reversible in the field

### Overview

459 Paddle handles are designed to be ergonomically friendly and practical. Coming complete with cam plug enables the handles to be used in conjunction with the 524510 deadlatch range of locks.

### Associated Products

#### ALPRO 5245 Screw In Cylinder Metal Door Lock Deadlatch Case

L22548 28mm Backset

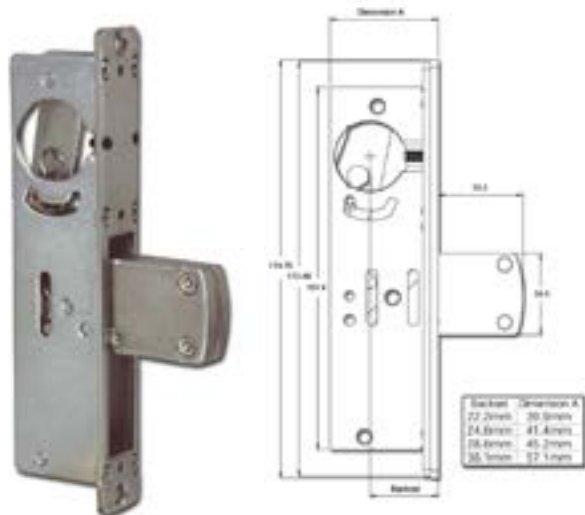
L22549 25mm Backset

#### ALPRO Screw-In Mortice Deadlatch Case

L21722 RH - 25mm Backset

Product Code	Finish	Handed	Mfr Ref.
L22556	Satin Anodised Aluminium	Pull To Left	524591
L22558	Satin Anodised Aluminium	Pull To Right	524597
L22557	Satin Anodised Aluminium	Push To Left	524592
L22559	Satin Anodised Aluminium	Push To Right	524598

## ALPRO 5218 Screw-In Mortice Deadlock Barbolt Case



### Features

- Deadlatches accept standard 1 5/32" screw-in key or thumbturn cylinder
- Hardened Steel Case
- 5 ply Laminated Steel Bolt
- Available in a variety of backsets

### Overview

Round mortice cylinder deadlocks provide security deadlocking for a variety of aluminium doors including swinging and sliding applications.

The bolt is constructed from stainless steel and is a 5 ply laminated construction, with the centre core case hardened, complete with hardened roll pin to resist hacksaw attack. All deadlocks are designed to accept standard round mortice cylinders or thumbturns.

### Associated Products

#### ALPRO Deadlock Faceplate

L22540 Flat - Screw-In

#### ALPRO Mounting Bridging

L22553 1 Pair

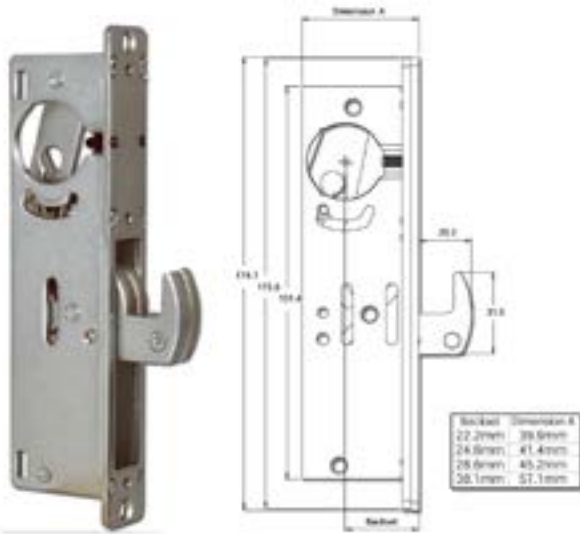
L22560 Flat

#### ALPRO 300mm Flush Bolt C/W Guide

L22561 Radius

Product Code	Finish	Backset	Mfr Ref.	Case Depth	Case Height	Forend Length	Forend Width	Mechanism
L22538	Satin Anodised Aluminium	25mm	5218502	41mm	159.5mm	196.9mm	25mm	Screw-In Cylinder
L22539	Satin Anodised Aluminium	28mm	5218503	46mm	159.5mm	196.9mm	25mm	Screw-In Cylinder

## ALPRO 5218 Screw-In Mortice Hookbolt Case



### Features

- Deadlatches accept standard 15/32" screw-in key or thumbturn cylinder
- Supplied without faceplate
- 5 ply Laminated Steel Bolt
- Available in a variety of backsets

### Overview

Round mortice cylinder deadlocks provide security deadlocking for a variety of aluminium doors including swinging and sliding applications.

The hookbolt is constructed from stainless steel and is a 5 ply laminated construction, with the centre core case hardened, complete with hardened roll pin to resist hacksaw attack. All deadlocks are designed to accept standard round mortice cylinders or thumbturns.

### Associated Products

#### ALPRO Hookbolt Faceplate

- L22537 Flat - Euro
- L22543 Flat - Screw-In

#### ALPRO Mounting Bridging

- L22553 1 Pair

#### ALPRO 300mm Flush Bolt C/W Guide

- L22560 Flat
- L22561 Radius

Product Code	Finish	Backset	Mfr Ref.	Case Depth	Case Height	Forend Length	Mechanism
L22541	Satin Anodised Aluminium	25mm	5218206	41.4mm	151.4mm	174.7mm	Screw-In Cylinder
L22542	Satin Anodised Aluminium	28mm	5218207	45.2mm	151.4mm	174.7mm	Screw-In Cylinder

## ALPRO 5245 Deadlatch Fixing Kit



### Features

- To suit the Alpro 5245 deadlatch

### Operation

Fixing kit to suit the Alpro 5245 deadlatch.

### Associated Products

#### ALPRO Euro Mortice Deadlatch Case

- L22544 RH - 25mm Backset
- L22545 LH - 25mm Backset
- L22546 RH - 30mm Backset
- L22547 LH - 30mm Backset

#### ALPRO Screw-In Mortice Deadlatch Case

- L22548 LH - 28mm Backset
- L22549 LH - 25mm Backset
- L21722 RH - 25mm Backset

Product Code	Finish	Mfr Ref.
L22552	Satin Anodised Aluminium	5245-FIX-KIT

## ALPRO Deadlatch Faceplate



### Features

- To suit the Alpro 5245 deadlatch
- 25mm wide
- Flat and radius faceplate option

### Overview

Faceplates to suit the Alpro deadlatch range.

### Associated Products

#### ALPRO Euro Mortice Deadlatch Case

L22544	RH - 25mm Backset
L22545	LH - 25mm Backset
L22546	RH - 30mm Backset
L22547	LH - 30mm Backset

#### ALPRO Screw-In Mortice Deadlatch Case

L22548	LH - 28mm Backset
L22549	LH - 25mm Backset
L21722	RH - 25mm Backset

Product Code	Finish	Mfr Ref.	Style
L21724	Satin Anodised Aluminium	52FP4511	Flat
L22551	Satin Anodised Aluminium	52FP4512	Radius

## ALPRO Deadlatch Strike Plate



### Features

- To suit the Alpro deadlatch range

### Overview

Extended strike plate to suit the Alpro deadlatch range.

### Associated Products

#### ALPRO Euro Mortice Deadlatch Case

L22544	RH - 25mm Backset
L22545	LH - 25mm Backset
L22546	RH - 30mm Backset
L22547	LH - 30mm Backset

#### ALPRO Screw-In Mortice Deadlatch Case

L22548	LH - 28mm Backset
L22549	LH - 25mm Backset
L21722	RH - 25mm Backset

Product Code	Finish	Mfr Ref.
L22550	Steel	5245ESP

## ALPRO Deadlock Faceplate



### Features

- To suit the Alpro 5281 deadlock range
- 25mm wide
- Flat faceplate

### Overview

Faceplates to suit the Alpro deadlock range.

### Notes

Flat

### Associated Products

ALPRO 5218 Screw-In Mortice Deadlock Barbolt Case

L22538 25mm Backset

L22539 28mm Backset

Product Code	Finish	Mfr Ref.	Style
L22540	Satin Anodised Aluminium	52FP1851	Flat

## ALPRO Euro Escutcheon



### Features

- To suit euro profile cylinders
- Self adhesive

### Overview

Euro escutcheons to suit the Alpro range of metal door locks.

### Associated Products

ALPRO Euro Mortice Deadlatch Case

L22544 RH - 25mm Backset

L22545 LH - 25mm Backset

L22546 RH - 30mm Backset

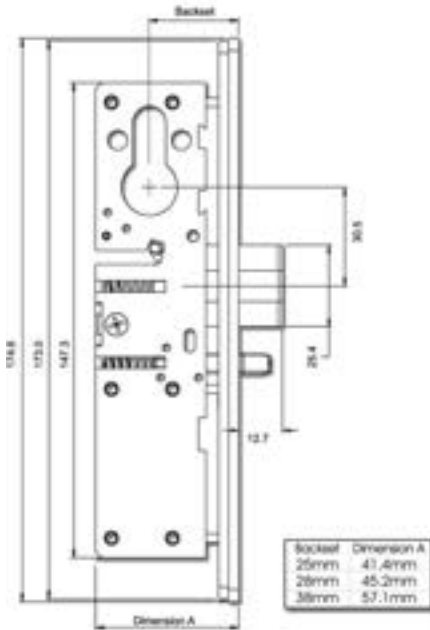
L22547 LH - 30mm Backset

L22535 25mm Backset

L22536 30mm Backset

Product Code	Finish	Mfr Ref.
L22563	Black	5227
L22562	Satin Anodised Aluminium	5226

## ALPRO Euro Mortice Deadlatch Case



### Features

- Deadlocks accept standard 17mm euro profile cylinders and thumbturn
- Industry standard ANSI cut outs
- Latch hold back facility
- Designed to operate on doors with 3mm door gaps
- Supplied without faceplate
- Cam plugs are non handed (reversible in the field)

### Overview

Euro profile cylinder deadlatches offer flexible control of situations and can be used in conjunction with Alpro's range of electric strikes to provide the added option of remote access control.

### Associated Products

#### ALPRO Deadlatch Faceplate

- L22551 Radius
- L24120 Flat
- L21724 Flat

#### ALPRO 5245 Deadlatch Fixing Kit

- L22552 5245 Fixing Kit

#### ALPRO Euro Escutcheon

- L22562 SAA
- L22563 Black

#### ALPRO Mounting Bridging

- L22553 1 Pair

#### ALPRO 300mm Flush Bolt C/W Guide

- L22560 Flat
- L22561 Radius

#### ALPRO Deadlatch Strike Plate

- L22550 Extended Plate

Product Code	Finish	Backset	Mfr Ref.	Case Depth	Case Height	Forend Length	Handed	Mechanism
L22545	Satin Anodised Aluminium	25mm	5245702	41.4mm	147.3mm	174.6mm	LH (Reversible)	Euro Cylinder
L22547	Satin Anodised Aluminium	30mm	5245704	45.2mm	147.3mm	174.6mm	LH (Reversible)	Euro Cylinder
L22544	Satin Anodised Aluminium	25mm	5245701	41.4mm	147.3mm	174.6mm	RH (Reversible)	Euro Cylinder
L22546	Satin Anodised Aluminium	30mm	5245703	45.2mm	147.3mm	174.6mm	RH (Reversible)	Euro Cylinder

## ALPRO Euro Mortice Hookbolt Case



### Features

- Deadlocks accept standard 17mm euro profile cylinders and thumbturns
- Supplied without faceplate
- 5 ply Laminated Steel Bolt

### Overview

Euro profile deadlocks provide security deadlocking for a variety of aluminium doors including swinging and sliding applications.

The hookbolt is constructed from stainless steel and is a 5 ply laminated construction, with the centre core case hardened, complete with hardened roll pin to resist hacksaw attack. All deadlocks are designed to accept standard profile cylinders or thumbturns.

### Associated Products

#### ALPRO Hookbolt Faceplate

- L22537 Flat - Euro
- L22543 Flat - Screw-In

#### ALPRO Euro Escutcheon

- L22562 SAA
- L22563 Black

#### ALPRO Mounting Bridging

- L22553 1 Pair

#### ALPRO 300mm Flush Bolt C/W Guide

- L22560 Flat
- L22561 Radius



Product Code	Finish	Backset	Mfr Ref.	Case Depth	Case Height	Forend Length	Mfr Ref.	Mechanism
L22535	Satin Anodised Aluminium	25mm	5222025	41mm	159.5mm	196.9mm	5222025	Euro Cylinder
L22536	Satin Anodised Aluminium	30mm	5222030	46mm	159.5mm	196.9mm	5222030	Euro Cylinder

## ALPRO Hookbolt Faceplate



### Features

- To suit the Alpro 52220 hooklock range
- 25mm wide

### Overview

Faceplates to suit the Alpro hooklock range.

### Associated Products

#### ALPRO Euro Mortice Hookbolt Case

L22535 25mm Backset  
L22536 30mm Backset

#### ALPRO 5218 Screw-In Mortice Hookbolt Case

L22541 25mm Backset  
L22542 28mm Backset

Product Code	Finish	Mfr Ref.	Style
L22537	Satin Anodised Aluminium	52FP222	Flat - Euro
L22543	Satin Anodised Aluminium	52FP1821	Flat - Screw-In

## ALPRO Mounting Bridging



### Features

- To suit the Alpro range of metal door locks
- Mounting bridge supplied in pairs
- Supplied c/w fixing screws

### Overview

Mounting Bridge to suite the Alpro range of metal door locks.

### Associated Products

#### ALPRO Euro Mortice Deadlatch Case

L22544 RH - 25mm Backset  
L22545 LH - 25mm Backset  
L22546 RH - 30mm Backset  
L22547 LH - 30mm Backset

#### ALPRO Screw-In Mortice Deadlatch Case

L22548 LH - 28mm Backset  
L22549 LH - 25mm Backset  
L21722 RH - 25mm Backset

#### ALPRO 5218 Screw-In Mortice Deadlock Barbolt Case

L22538 25mm Backset  
L22539 28mm Backset

#### ALPRO Euro Mortice Hookbolt Case

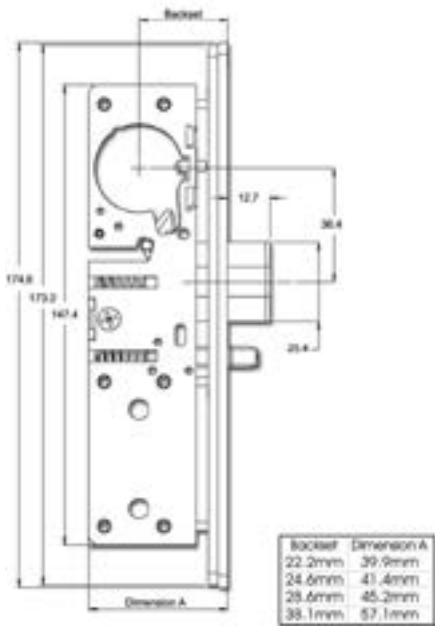
L22535 25mm Backset  
L22536 30mm Backset

#### ALPRO 5218 Screw-In Mortice Hookbolt Case

L22541 25mm Backset  
L22542 28mm Backset

Product Code	Mfr Ref.	Suits Product
L22553	5211	Alpro Metal Door Locks

## ALPRO Screw-In Mortice Deadlatch Case



### Features

- Deadlatches accept standard 15/32" screw-in key or thumbturn cylinder
- Industry standard ANSI cut outs
- Latch hold back facility
- Designed to operate on doors with 3mm door gaps
- Supplied without faceplate
- Cam plugs are non handed (reversible in the field)

### Overview

Round mortice cylinder deadlatches offer flexible control of situations and can be used in conjunction with Alpro's range of electric strikes to provide the added option of remote access control. The deadlatches can also be operated with the 459 paddle handle (cam plug required).

### Associated Products

#### ALPRO Deadlatch Faceplate

- L22551 Radius
- L24120 Flat
- L21724 Flat

#### ALPRO 5245 Deadlatch Fixing Kit

- L22552 5245 Fixing Kit

#### ALPRO Mounting Bridging

- L22553 1 Pair

#### ALPRO 459 Paddle Handle C/W Cam Plug

- L22556 Pull To Left
- L22557 Push To Left
- L22558 Pull To Right
- L22559 Push To Right

#### ALPRO 456 Lever Handle

- L22554 RH
- L22555 LH

#### ALPRO 300mm Flush Bolt C/W Guide

- L22560 Flat
- L22561 Radius

#### ALPRO Deadlatch Strike Plate

- L22550 Extended Plate

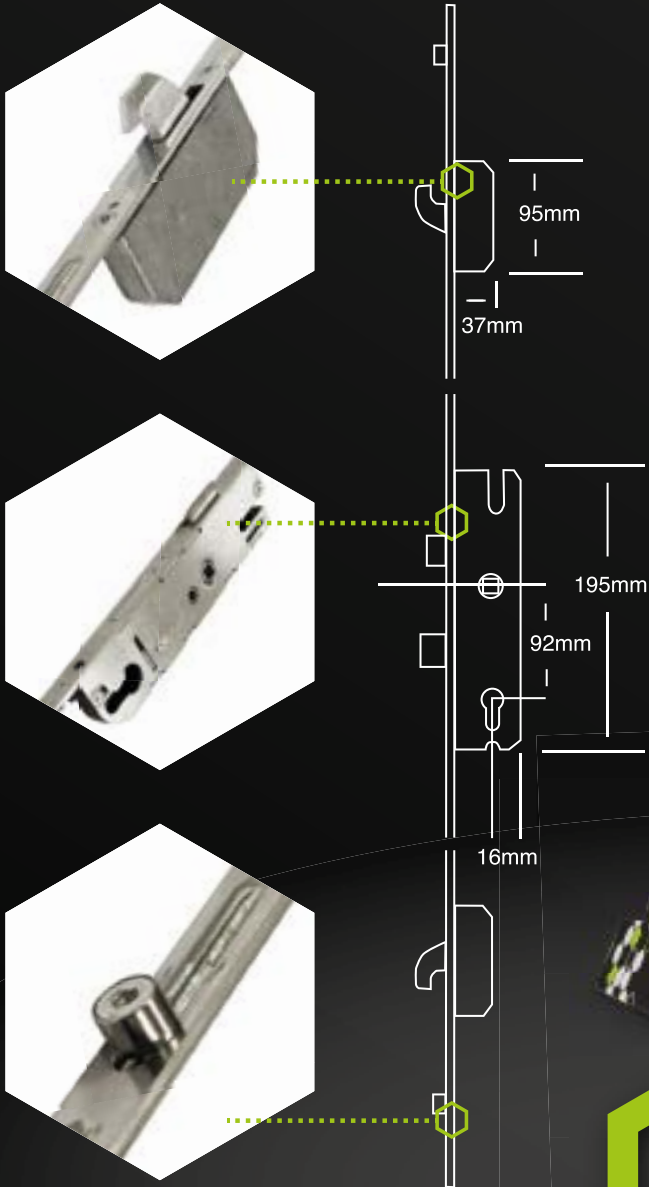
Product Code	Finish	Backset	Mfr Ref.	Case Depth	Case Height	Forend Length	Handed	Mechanism	Holdback
L22549	Satin Anodised Aluminium	25mm	5245104	41.4mm	147.3mm	174.6mm	Left Hand	Screw-In Cylinder	Yes
L22548	Satin Anodised Aluminium	28mm	5245102	45.2mm	147.3mm	174.6mm	Left Hand	Screw-In Cylinder	Yes
L21722	Satin Anodised Aluminium	25mm	5245103	41.4mm	147.3mm	174.6mm	Right Hand	Screw-In Cylinder	Yes





# Adaptable MPL UPVC Retrofit Made Easy...

- 3 parts supplied - Gearbox & either Hook & Roller or Mushroom & Roller
- Non-handed
- Can be cut to size
- Reversible latch
- For use on UPVC, Wood & Composite doors
- Backsets come in 25, 28, 30, 35, 40m, 45 & 55mm



See pages  
**94-99**

» Door

# Repair Lock

---

CHAMELEON	<b>94 - 99</b>
ERA	<b>100 - 103</b>
WINKHAUS	<b>104</b>
YALE	<b>105 - 108</b>

## CHAMELEON All In One Repair Kit 2 Hook & 2 Roller, 2 Mushroom & 2 Roller + Keeps



### Features

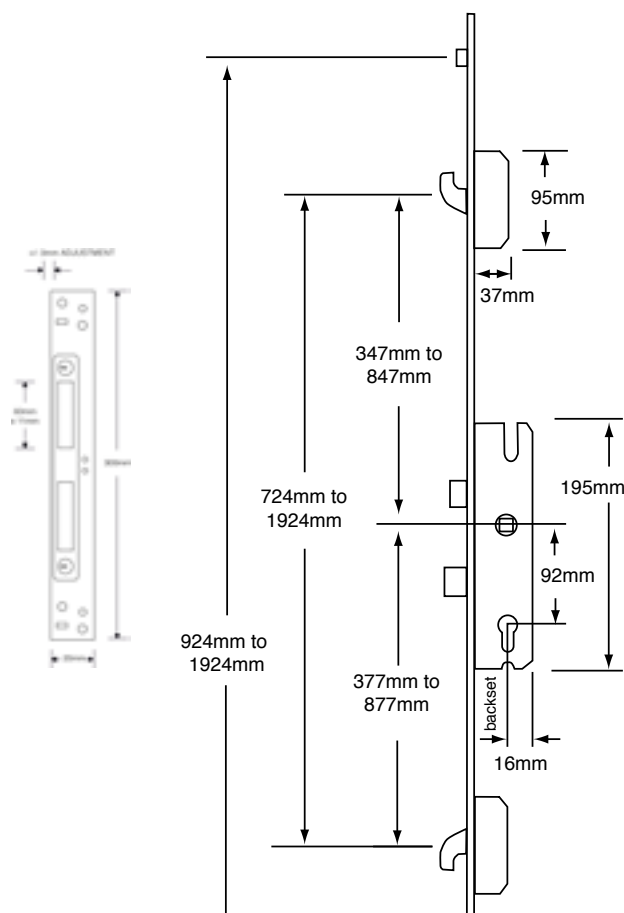
- Will suit the majority of applications
- Covers 25mm, 28mm, 30mm & 35mm Backsets
- 16mm faceplate (for use on UPVC & composite doors)
- 3 centre cases supplied (25mm faceplate reverses to make 28mm)
- Supplied with 2 locking point kits (hooks & rollers and mushroom and roller)
- Supplied complete with strikes

### Overview

If you are looking for a UPVC repair kit that will be able to suit the majority of locks on the market then look no further. This kit contains 3 centre cases (with backsets 25mm, 30mm & 35mm with the 25mm faceplate being reversible which converts it to a 28mm), 2 locking point extension sets (2 x hooks & 2 x rollers and 2 x mushroom and 2 x rollers) and all strikes. The beauty of this kit is that all of the items are available individually so once you have used something you can top the kit up and be ready for the next job.

### Operation

A - Lift lever to engage locking mechanisms and then one full turn of the cylinder to lock. One full turn of the key then push down on the lever to unlock



Product Code	Backset	Centres	Mfr Ref.	Spindle
CH10575	25, 28, 30 & 35mm	92mm	CH10575	Lift lever

## CHAMELEON Adaptable Multi Point Lock 2 Hook & 2 Roller + Keeps



### Features

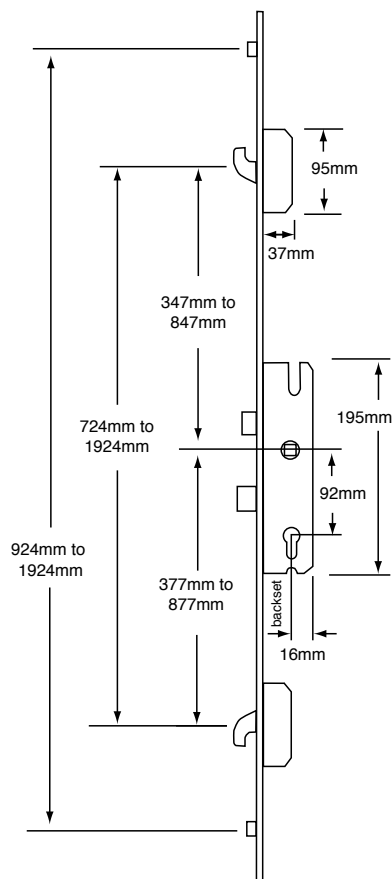
- Supplied complete with keeps
- 16mm faceplate (for use on UPVC & composite doors)
- 2 x hooks and 2 x rollers
- Modular design makes them easy to transport
- Croppable locking point extensions make them suitable for many applications

### Overview

The Chameleon repair lock has a 16mm faceplate and is supplied in 3 parts so is easy to transport. It is very easy to assemble and the locking point extensions can be cropped therefore making them suitable for use on differing heights of door. It is supplied complete with keeps and the split spindle versions can be used as single spindle locks if used with a solid spindle.

### Operation

A - Lift lever to engage locking mechanisms and then one full turn of the cylinder to lock. One full turn of the key then push down on the lever to unlock.



Product Code	Backset	Centres	Faceplate width	Mfr Ref.	Spindle
CH10576	25mm	92mm	16mm	CH10576	Single - Lift lever
CH10577	28mm	92mm	16mm	CH10577	Single - Lift lever
CH10578	30mm	92mm	16mm	CH10578	Single - Lift lever
CH10579	35mm	92mm	16mm	CH10579	Lift lever or Split
CH10580	40mm	92mm	16mm	CH10580	Single - Lift lever
CH10581	45mm	92mm	16mm	CH10581	Lift lever or Split

## CHAMELEON Adaptable Retrofit Multipoint Lock Timber 2 Hook + Keeps



### Features

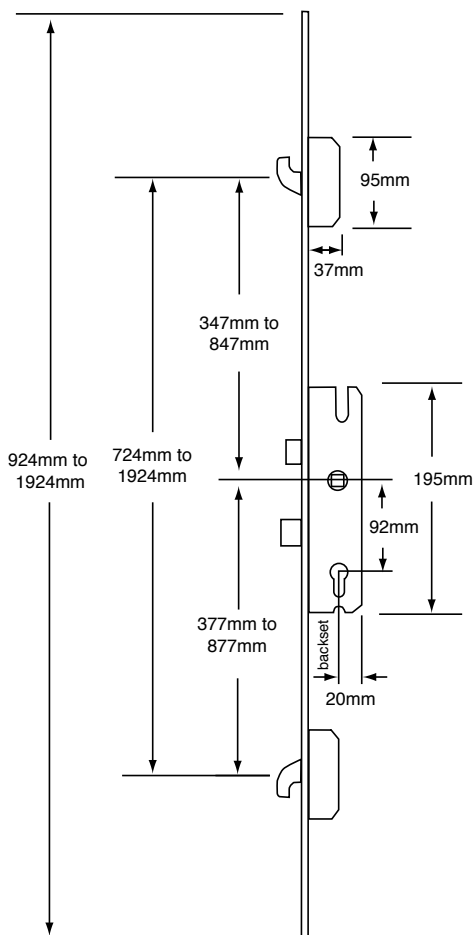
- Supplied complete with keeps
- 20mm faceplate (for use on wooden doors)
- 2 x hook locking points
- Modular design makes them easy to transport
- Croppable locking point extensions make them suitable for many applications

### Overview

The Chameleon repair lock is supplied with keeps, has a 20mm faceplate and is supplied in 3 parts so is easy to transport. It is very easy to assemble and the locking point extensions can be cropped therefore making them suitable for use on differing heights of door.

### Operation

A - Lift lever to engage locking mechanisms and then one full turn of the cylinder to lock. One full turn of the key then push down on the lever to unlock.



Product Code	Backset	Centre Case	Centres	Faceplate width	Hooks	Spindle
CH10585	45mm	Latch & Deadbolt	92mm	20mm	2	Lift lever - Split
CH30001	55mm	Latch & Deadbolt	92mm	20mm	2	Split - Lift lever

## CHAMELEON Adaptable Multipoint Lock 2 Mushroom & 2 Roller + Keeps



### Features

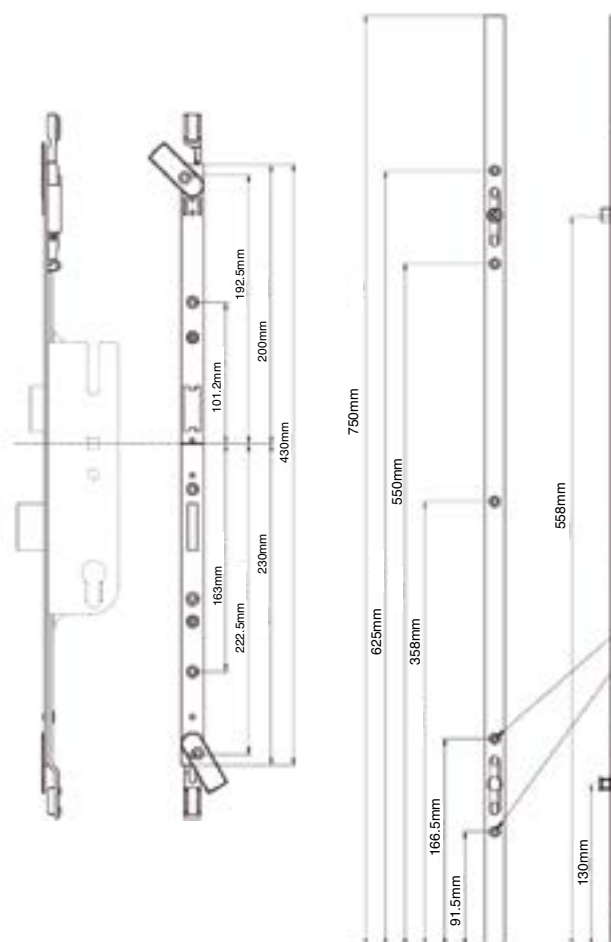
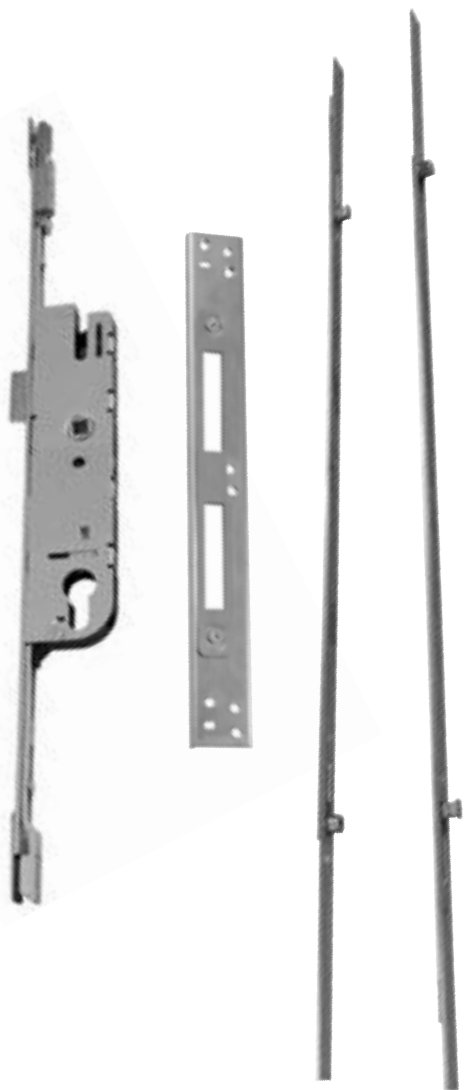
- Supplied complete with keeps
- 16mm faceplate (for use on UPVC & composite doors)
- 2 x mushrooms and 2 x rollers
- Modular design makes them easy to transport
- Croppable locking point extensions make them suitable for many applications

### Overview

The Chameleon repair lock has a 16mm faceplate, is supplied complete with keeps and is supplied in 3 parts so is easy to transport. It is very easy to assemble and the locking point extensions can be cropped therefore making them suitable for use on differing heights of door.

### Operation

A - Lift lever to engage locking mechanisms and then one full turn of the cylinder to lock. One full turn of the key then push down on the lever to unlock.



Product Code	Backset	Centre Case	Centres	Faceplate width	Mushroom	Roller	Spindle
CH10582	25mm	Latch & Deadbolt	92mm	16mm	2	2	Single - Lift lever
CH10583	28mm	Latch & Deadbolt	92mm	16mm	2	2	Single - Lift lever
CH10584	35mm	Latch & Deadbolt	92mm	16mm	2	2	Lift lever - Split

## CHAMELEON Extension Set - Hook &amp; Roller



### Features

- 16mm Faceplate - Suitable for UPVC and composite doors
- Supplied with adjustable strike & packers
- Various centre cases available
- Easy to fit

### Overview

This 2 hook & 2 roller extension set for the Chameleon UPVC Modular Repair Lock has a 16mm faceplate which makes it ideal for use on UPVC / composite doors, the extensions are croppable making them extremely versatile.

### Operation

Lift lever to engage locking points

### Associated Products

#### CHAMELEON Overnight Lock/Gearbox

- CH30040 25/92 - 16mm Face
- CH30041 28/92 - 16mm Face
- CH30042 30/92 - 16mm Face
- CH30045 35/92 Nightlatch - 16mm Face
- CH30043 40/92 Nightlatch - 16mm Face
- CH30044 45/92 Nightlatch - 16mm Face

#### CHAMELEON Extension Set - Mushroom & Roller

- CH30046 Standard

Product Code	Faceplate Width	Length	Hooks	Roller	Notes
CH30047	16mm	1000mm	2	2	Supplied with keeps

## CHAMELEON Extension Set - Mushroom & Roller



### Features

- 16mm Faceplate - Suitable for UPVC and composite doors
- Various centre cases available
- Easy to fit

### Overview

This 2 mushroom & 2 roller extension set for the Chameleon UPVC Modular Repair Lock has a 16mm faceplate which makes it ideal for use on UPVC/composite doors, the extensions are croppable making them extremely versatile.

### Operation

Lift lever to engage locking points

### Associated Products

**CHAMELEON Overnight Lock/Gearbox**

- CH30040 25/92 - 16mm Face
- CH30041 28/92 - 16mm Face
- CH30042 30/92 - 16mm Face
- CH30045 35/92 Nightlatch - 16mm Face
- CH30043 40/92 Nightlatch - 16mm Face
- CH30044 45/92 Nightlatch - 16mm Face

**CHAMELEON Extension Set - Hook & Roller**

- CH30047 Supplied With Keeps



Product Code	Faceplate Width	Length	Mushroom	Roller	Notes
CH30046	16mm	750mm	2	2	Standard



## ERA 6135 / 9135 Lever Operated Latch & Dead - 2 Adjustable Rollers & Mushrooms (UPVC Door)



### Features

- Designed to replace most multi-point locks in PVCu, Composite and Timber doors
- Modular 3 piece kit
- Croppable top and bottom extension pieces
- Non-handed lock mechanism with reversible latch bolt and snib facility as standard
- Split spindle for lever /pad applications
- Bi-directional throw of locking features - enhanced anti-jemmy feature

### Overview

Designed to replace most multi point locks in the PVCu UK market, and fits conventional 16mm wide Euro groove, with 35mm backset. It uses conventional adjustable rollers for enhanced performance and weather sealing, and high tensile steel mushrooms for anti-separation with adjustable keep plates. Available with a Euro Cylinder or Vectis Plus gearbox.

### Operation

A - Lift lever to engage locking mechanisms and then one full turn of the cylinder to lock. One full turn of the key then push down on the lever to unlock.

### Associated Products

#### CHAMELEON Pro 59-96mm Centres Adjustable Handle

CH30025	White
CH30026	Silver
CH30027	Polished Silver
CH30028	Gold
CH30068	Black

#### ASEC Lever/Lever 92mm Centres 220mm Backplate

#### UPVC Door Handles

L18404	Black
L18405	Chrome
L18406	Gold
L18407	White

B	MAX OL	MIN OL	MAX TR	MIN TR	MAX TM	MIN TM	MAX BR	MIN BR	MAX BM	MIN BM
35	1985	1421	921	639	565	283	976	694	620	338

Product Code	Backset	Centre Case	Centres	Locking Point - Mushroom	Locking Point - Roller	Mfr Ref.	Mechanism	Spindle
L22499	35mm	Latch & Deadbolt	92mm	2	2	6135-2R2M-KIT	Euro Cylinder	Split
L22500	35mm	Latch & Deadbolt	95mm	2	2	9135-2R2M-KIT	5 Lever	Split

## ERA 6135 Repair Lock Lever Operated Latch & Deadbolt Split Spindle - 2 Mushroom 2 Roller



### Features

- Euro Profile Lock Case
- The lock fits conventional 16mm wide euro groove and is designed for lever or pad, left or right handing
- Suitable for maximum door height of 2.23m (7'3")
- Can be used in conjunction with original handles and cylinder
- Split Spindle
- Corrosion protected to the latest specification

### Overview

ERA's ORIGINAL Repair Lock suitable only for PVCu doors replaces problem or faulty multi-point lock.

### Operation

A - Lift lever to engage locking mechanisms and then one full turn of the cylinder to lock. One full turn of the key then push down on the lever to unlock.

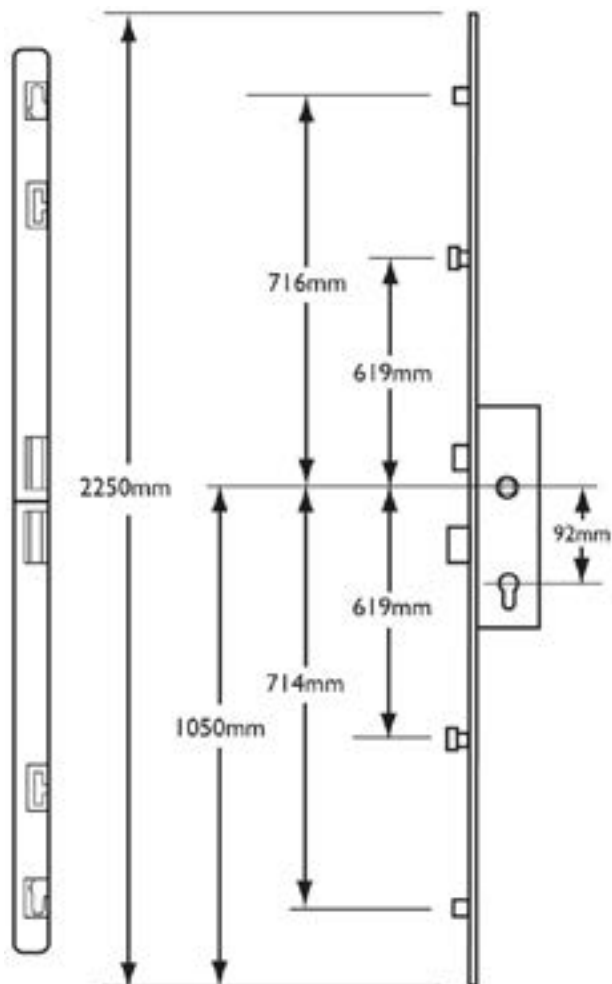
### Associated Products

#### CHAMELEON Pro 59-96mm Centres Adjustable Handle

- CH30025 White
- CH30026 Silver
- CH30027 Polished Silver
- CH30028 Gold
- CH30068 Black

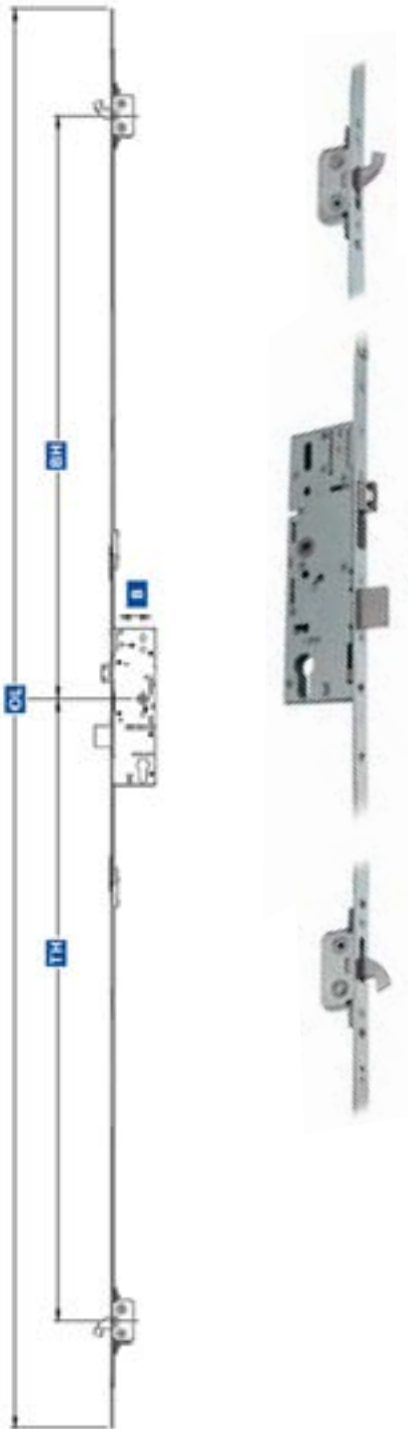
#### ASEC Lever/Lever 92mm Centres 220mm Backplate

- UPVC Door Handles
- L18404 Black
- L18405 Chrome
- L18406 Gold
- L18407 White



Product Code	Backset	Centre Case	Centres	Mushroom	Rollers	Mfr Ref.	Spindle
L14940	35mm	Latch & Deadbolt	92mm	2	2	6135 Repair Kit	Split

## ERA 6345 / 9345 Lever Operated Latch & Dead - 2 Adjustable Hooks (Timber Door)



### Features

- Designed to replace most multi-point locks in PVCu, Composite and Timber doors
- Modular 3 piece kit
- Croppable top and bottom extension pieces
- Non-handed lock mechanism with reversible latch bolt and snib facility as standard
- Split spindle for lever /pad applications
- Bi-directional throw of locking features - enhanced anti-jemmy feature

### Overview

Designed to replace most multi-point locks in the Composite/ Timber UK market, the lock has a 20mm face bar and 45mm backset. It uses twin high security hooks for anti-separation resistance with a non handed keep set. Available with a Euro Cylinder or Vectis Plus gearbox.

### Operation

A - Lift lever to engage locking mechanisms and then one full turn of the cylinder to lock. One full turn of the key then push down on the lever to unlock.

### Associated Products

#### CHAMELEON Pro 59-96mm Centres Adjustable Handle

- CH30025 White
- CH30026 Silver
- CH30027 Polished Silver
- CH30028 Gold
- CH30068 Black

#### GU E13338 Timber Centre Keep

- L15572 Timber Centre Keep
- L20723 Deadbolt Keep - Old Style

#### GU E11413 Timber Hook / Dead Keep

- L15571 Timber Hook/ Dead Keep

#### ASEC 92 Lever/Lever UPVC Furniture - 220mm Backplate

- L18404 Black
- L18405 Chrome
- L18406 Gold
- L18407 White

B	MAX OL	MIN OL	MAX TH	MIN TH	MAX BH	MIN BH
45	1987	1075	816	360	871	415

Product Code	Backset	Centre Case	Centres	Hooks	Mfr Ref.	Mechanism	Spindle
L22503	45mm	Latch & Deadbolt	92mm	2	6345-2H-KIT	Euro Cylinder	Split
L22504	45mm	Latch & Deadbolt	95mm	2	9345-2H-KIT	5 Lever	Split

## ERA 6735 / 9735 Lever Operated Latch & Dead - 2 Adjustable Hooks & Rollers (UPVC Door)



### Features

- Designed to replace most multi-point locks in PVCu, Composite and Timber doors
- Modular 3 piece kit
- Croppable top and bottom extension pieces
- Non-handed lock mechanism with reversible latch bolt and snib facility as standard
- Split spindle for lever /pad applications
- Bi-directional throw of locking features - enhanced anti-jimmy feature

### Overview

Designed to replace most multi point locks in the PVCu UK market, and fits conventional 16mm wide Euro groove, with 35mm backset. It uses conventional adjustable rollers for enhanced performance and weather sealing, and twin high security hooks for anti-separation resistance; with adjustable keep plates. Available with a Euro Cylinder or Vectis Plus gearbox.

### Operation

A - Lift lever to engage locking mechanisms and then one full turn of the cylinder to lock. One full turn of the key then push down on the lever to unlock.

### Associated Products

#### CHAMELEON Pro 59-96mm Centres Adjustable Handle

- CH30025 White
- CH30026 Silver
- CH30027 Polished Silver
- CH30028 Gold
- CH30068 Black

#### ASEC 92 Lever/Lever UPVC Furniture - 220mm Backplate

- L18404 Black
- L18405 Chrome
- L18406 Gold
- L18407 White

B	MAX OL	MIN OL	MAX TR	MIN TR	MAX TM	MIN TM	MAX BR	MIN BR	MAX BM	MIN BM
35	1985	1421	921	639	565	283	976	694	629	338

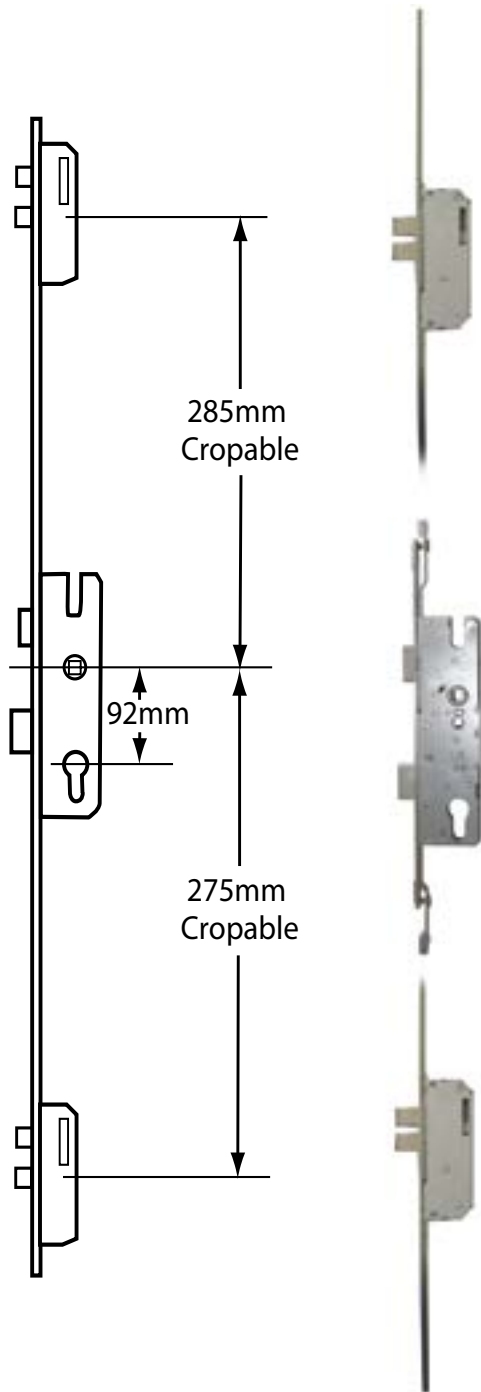
Product Code	Backset	Centre Case	Centres	Hooks	Roller	Mfr Ref.	Mechanism	Spindle
L22501	35mm	Latch & Deadbolt	92mm	2	2	6735-2H2R-KIT	Euro Cylinder	Split
L22502	35mm	Latch & Deadbolt	95mm	2	2	9735-2H2R-KIT	5 Lever	Split

## WINKHAUS Retro Fit Lever Operated Latch & Deadbolt Split Spindle - Multiple Options



Door

Repair Lock



### Features

- Euro Profile Lock Case
- Latch & Deadbolt
- Split Spindle
- 16mm Faceplate

### Overview

Croppable upper and lower extensions, capable of replacing locks from 1300mm to 2240mm.

### Operation

A - Lift lever to engage locking mechanisms and then one full turn of the cylinder to lock. One full turn of the key then push down on the lever to unlock.

### Associated Products

#### CHAMELEON Pro 59-96mm Centres Adjustable Handle

- CH30025 White
- CH30026 Silver
- CH30027 Polished Silver
- CH30028 Gold
- CH30068 Black

#### ASEC Lever/Lever 92mm Centres 220mm Backplate

#### UPVC Door Handles

- L18404 Black
- L18405 Chrome
- L18406 Gold
- L18407 White

Product Code	Backset	Centre Case	Centres	Dead Bolts	Mfr Ref.	Spindle
L18383	35mm	Latch & Deadbolt	92mm	4	4981961	Split
L18384	45mm	Latch & Deadbolt	92mm	4	4981962	Split

## DOORMASTER Adjustable Lever Operated Latch & Hook - 2 Adjustable Hooks (UPVC Door)



### Features

- Euro Profile Lock Case
- Latch & Hookbolt
- Split Spindle
- 16mm Faceplate

### Overview

Complete with fully assembled 1 piece keep including Uni-Packer

### Operation

A - Lift lever to engage locking mechanisms and then one full turn of the cylinder to lock. One full turn of the key then push down on the lever to unlock.

### Associated Products

#### CHAMELEON Pro 59-96mm Centres Adjustable Handle

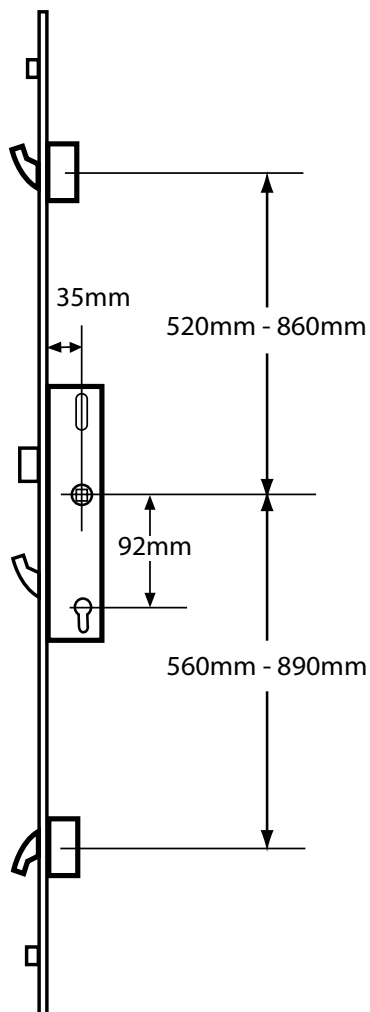
- CH30025 White
- CH30026 Silver
- CH30027 Polished Silver
- CH30028 Gold
- CH30068 Black

#### YALE UPVC Lever Door Furniture - Retro

- L17788 92mm Centres WH Visi
- L17789 92mm Centres PC Visi
- L17790 92mm Centres GOLD Visi

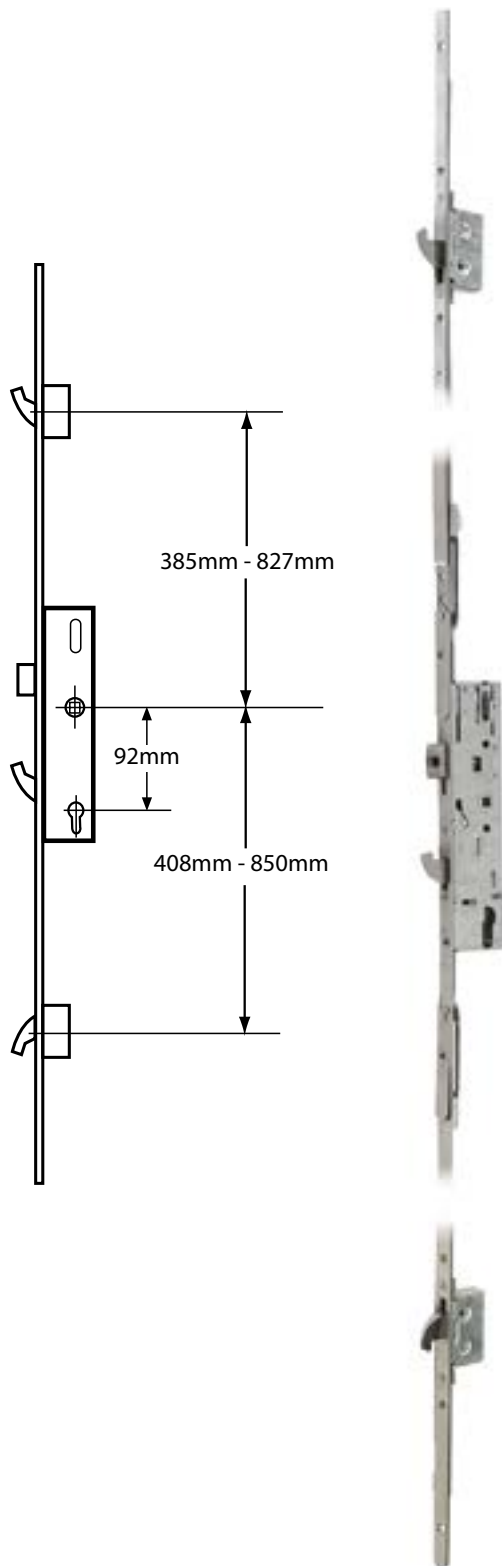
#### ASEC Lever/Lever 92mm Centres 220mm Backplate

- UPVC Door Handles
- L18404 Black
  - L18405 Chrome
  - L18406 Gold
  - L18407 White



Product Code	Backset	Centre Case	Centres	Hooks	Rollers	Mfr Ref.	Spindle
L18707	35mm	Latch & Hookbolt	92mm	2	2	YDM ADJ PVCU 35	Split

## DOORMASTER Professional Lever Operated Latch & Hook - 2 Adjustable Hooks (Timber & Composite)



### Features

- Tested to Police Approved Secured By Design standard and PAS24 door set capable
- Adjustable rollers create a weather-tight seal
- 3 hooks for High Security anti-separation
- Supplied with split spindles for nightlatch operation
- 10 year guarantee

### Overview

Yale Doormaster® Professional is a High Security replacement lock designed to replace 100% of locks with top and bottom hooks or bolts, a 35m or 45mm backset, and a 16mm or 20mm faceplate. Designed with the professional installer in mind, this lock includes "crop & mate" technology to maximise the scope of installation.

### Operation

A - Lift lever to engage locking mechanisms and then one full turn of the cylinder to lock. One full turn of the key then push down on the lever to unlock.

### Notes

Designed for timber/composite doors, croppable when fitting for greater adjustment. The reach is measured between the handle spindle and the middle of the thrown Hookbolt (top or bottom).

### Associated Products

#### CHAMELEON Pro 59-96mm Centres Adjustable Handle

- CH30025 White
- CH30026 Silver
- CH30027 Polished Silver
- CH30028 Gold
- CH30068 Black

#### ASEC Lever/Lever 92mm Centres 220mm Backplate

#### UPVC Door Handles

- L18404 Black
- L18405 Chrome
- L18406 Gold
- L18407 White

Product Code	Backset	Centre Case	Centres	Hooks	Mfr Ref.	Spindle	Faceplate
L21693	35mm	Latch & Hookbolt	92mm	2	YDM PRO TIMBR16-35	Split	16mm
L21694	45mm	Latch & Hookbolt	92mm	2	YDM PRO TIMBR16-45	Split	16mm
L18704	45mm	Latch & Hookbolt	92mm	2	YDM PRO TMBR 45	Split	20mm

## DOORMASTER Professional Lever Operated Latch & Hook - 2 Adjustable Hooks 2 Rollers (UPVC Door)



### Features

- Croppable when fitting for greater adjustment
- Euro Profile Lock Case
- Latch & Hookbolt
- Split Spindle
- 16mm Faceplate

### Operation

A - Lift lever to engage locking mechanisms and then one full turn of the cylinder to lock. One full turn of the key then push down on the lever to unlock.

### Notes

Complete with fully assembled 1 piece keep including Uni-Packer, croppable when fitting for greater adjustment. The reach is measured between the handle spindle and the middle of the thrown Hookbolt (top or bottom).

### Associated Products

#### CHAMELEON Pro 59-96mm Centres Adjustable Handle

- CH30025 White
- CH30026 Silver
- CH30027 Polished Silver
- CH30028 Gold
- CH30068 Black

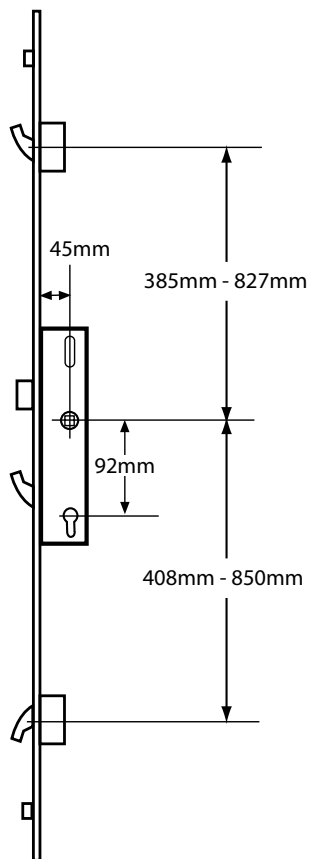
#### YALE UPVC Lever Door Furniture - Retro

- L17788 92mm Centres WH Visi
- L17789 92mm Centres PC Visi
- L17790 92mm Centres GOLD Visi

#### ASEC Lever/Lever 92mm Centres 220mm

#### Backplate UPVC Door Handles

- L18404 Black
- L18405 Chrome
- L18406 Gold
- L18407 White



Product Code	Backset	Centre Case	Centres	Hooks	Rollers	Mfr Ref.	Spindle
L18706	35mm	Latch & Hookbolt	92mm	2	2	YDM PRO PVCU 35	Split
L18705	45mm	Latch & Hookbolt	92mm	2	2	YDM PRO PVCU 45	Split



## DOORMASTER Universal Lever Operated Latch & Hook - 2 Adjustable Rollers 2 Mushroom (UPVC Door)



### Features

- Euro Profile Lock Case
- Latch & Hookbolt
- Split Spindle
- 16mm Faceplate

### Overview

Complete with fully assembled 1 piece keep including Uni-Packer

### Operation

A - Lift lever to engage locking mechanisms and then one full turn of the cylinder to lock. One full turn of the key then push down on the lever to unlock.

### Associated Products

#### CHAMELEON Pro 59-96mm Centres Adjustable Handle

- CH30025 White
- CH30026 Silver
- CH30027 Polished Silver
- CH30028 Gold
- CH30068 Black

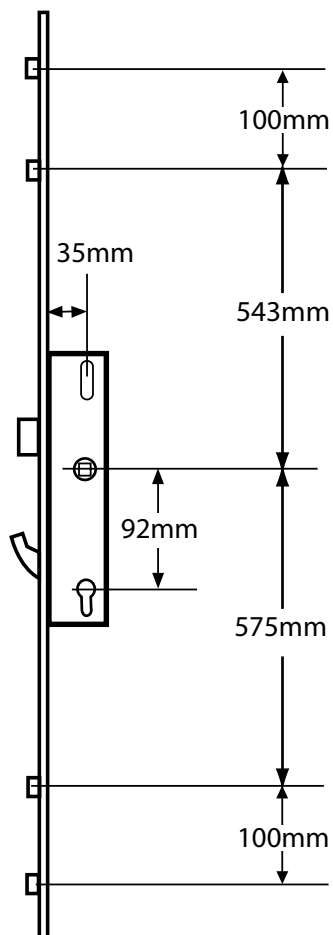
#### YALE UPVC Lever Door Furniture - Retro

- L17788 92mm Centres WH Visi
- L17789 92mm Centres PC Visi
- L17790 92mm Centres GOLD Visi

#### ASEC Lever/Lever 92mm Centres 220mm Backplate

#### UPVC Door Handles

- L18404 Black
- L18405 Chrome
- L18406 Gold
- L18407 White



Product Code	Backset	Centre Case	Centres	Hooks	Rollers	Mfr Ref.	Spindle
L18709	35mm	Latch & Hookbolt	92mm	2	2	YDM UNI PVCU 35	Split
L18708	45mm	Latch & Hookbolt	92mm	2	2	YDM UNI PVCU 45	Split

# Full Units

---

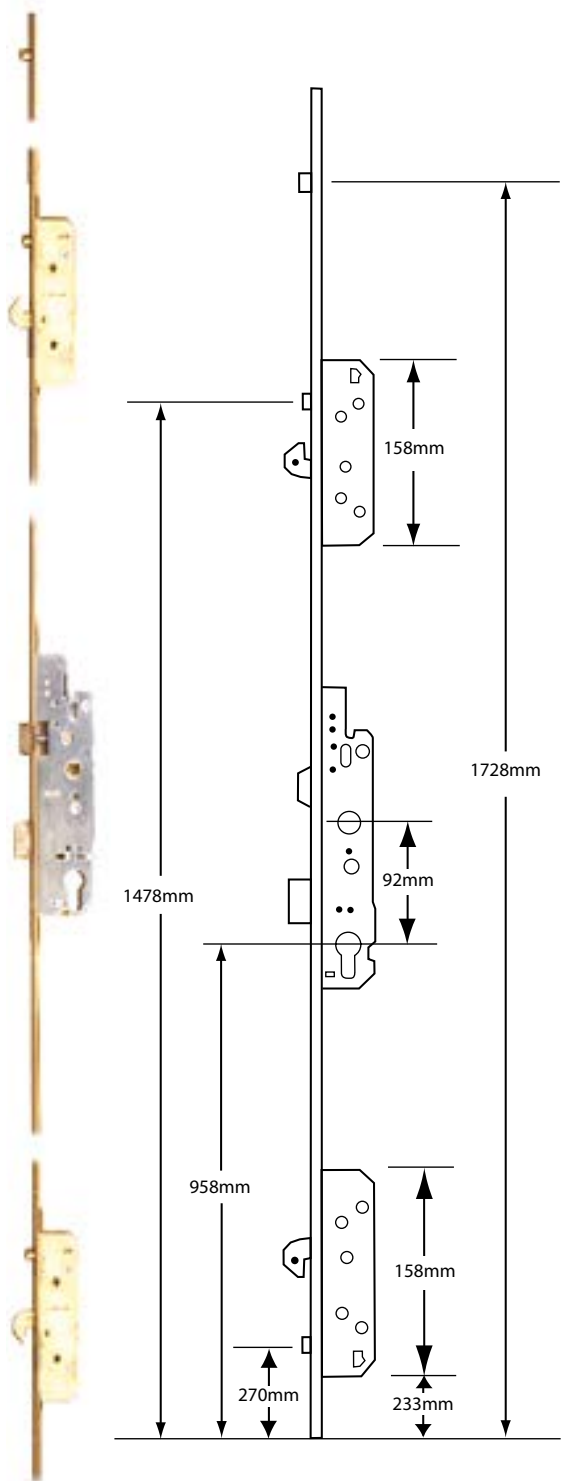
AGB	110 - 111
AVANTIS	112 - 114
AVOCET	115 - 119
AZBE	120
CEGO	121 - 123
ERA	124 - 131
FAB & FIX	132
FERCO	133 - 141
FIX	142 - 144
FUHR	145 - 156
FULLEX	157 - 169
GRIDLOCK	171 - 172
GU	173 - 208
KENRICK	209
KFV	210 - 218
LOCKMASTER	219 - 228
MACO	229 - 236
MILA	237 - 252
MILLESCO	253 - 256
ROTO	257 - 261
SAFEWARE	262 - 263
SECURISTYLE	264
SOBINCO	265
UCEM	266 - 267
VITAWIN	268
WINKHAUS	269 - 289
YALE	290 - 302

# AGB Lever Operated Latch & Deadbolt - 2 Hook 3 Roller



**DISCONTINUED**

Door



### Features

- Euro Profile Lock Case
- Latch & Deadbolt
- Single Spindle
- 16mm Faceplate

### Operation

A - Lift lever to engage locking mechanisms and then one full turn of the cylinder to lock. One full turn of the key then push down on the lever to unlock.

### Notes

Discontinued use CH10578 for the 30mm version and CH10579 for the 35mm version.

### Associated Products

#### CHAMELEON Pro Adaptable Door Handle

- CH30025 White
- CH30026 Silver
- CH30027 Polished Silver
- CH30028 Gold
- CH30068 Black



page 312

#### ASEC 92 Lever/Lever UPVC Furniture - 220mm Backplate

- L18404 Black
- L18405 Chrome
- L18406 Gold
- L18407 White



page 322

Product Code	Backset	Centres	Spindle	Centre Case	Mfr Ref.	Hooks	Rollers
L20455	30mm	92mm	Single	Latch & Deadbolt	Unitop 2461 35 09	2	3
L15612	35mm	92mm	Single	Latch & Deadbolt	Unitop 2461 30 09	2	3

Full Units - AGB

# AGB Lever Operated Latch & Deadbolt - 4 Roller

**DISCONTINUED**



## Features

- Euro Profile Lock Case
- Latch & Deadbolt
- Single Spindle
- 16mm Faceplate

## Operation

A - Lift lever to engage locking mechanisms and then one full turn of the cylinder to lock. One full turn of the key then push down on the lever to unlock.


## Notes

Discontinued use CH10583.

## Associated Products

**CHAMELEON Pro Adaptable Door Handle**


CH30025	White
CH30026	Silver
CH30027	Polished Silver
CH30028	Gold
CH30068	Black



page 312

**ASEC 92 Lever/Lever UPVC Furniture - 220mm Backplate**


L18404	Black
L18405	Chrome
L18406	Gold
L18407	White



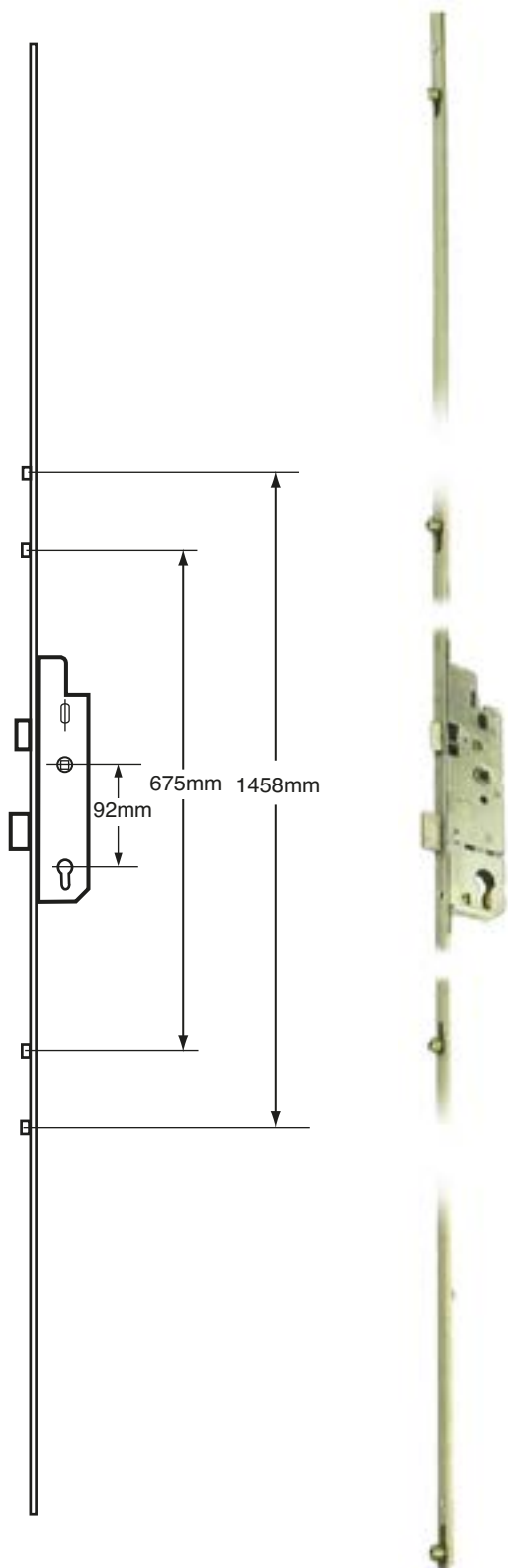
page 322

**GU 6-3001400 Centre Keep**

L12049	LH
L12050	RH

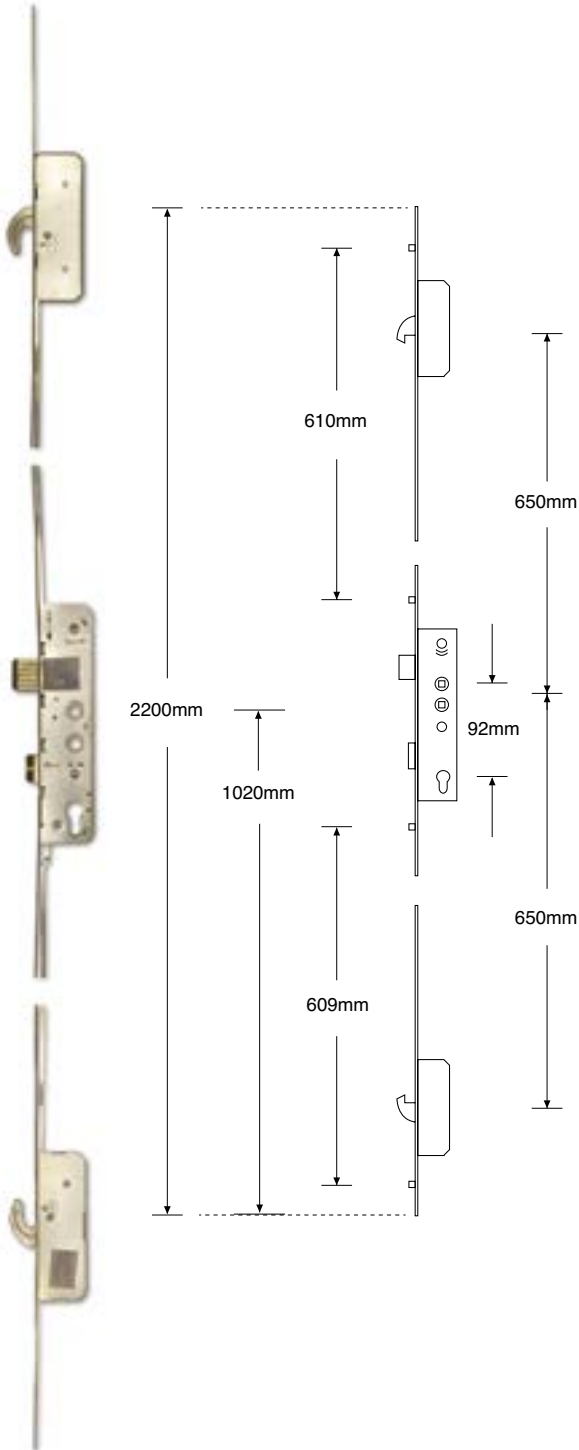


page 453



Product Code	Backset	Centres	Spindle	Centre Case	Mfr Ref.	Rollers
L20456	30mm	92mm	Single	Latch & Deadbolt	2454 30 10	4

# AVANTIS Lever Operated Latch & Deadbolt Twin Spindle - 2 Hook



## Features

- 2 Hook
- 16mm wide faceplate
- 92mm centres
- 35mm backset
- Twin spindle
- Latch & Deadbolt

## Overview

Avantis door locks have the largest hook and bolts on the market at 25mm and are designed to provide both ultimate security & compression. This multipoint look has 2 hooks, a twin spindle, 35mm backset, 92mm centres and a 16mm wide faceplate.

## Operation

A - Lift lever to engage locking mechanisms and then one full turn of the cylinder to lock. One full turn of the key then push down on the lever to unlock.

## Associated Products

### CHAMELEON Pro Adaptable Door Handle

CH30025	White
CH30026	Silver
CH30027	Polished Silver
CH30028	Gold
CH30068	Black



page  
312

Product Code	Backset	Centres	Spindle	Centre Case	Mfr Ref.	Hooks
L24011	35mm	92/62mm	Twin	Latch & Deadbolt	DL01-550HSSS	2 Short
L24013	35mm	92/62mm	Twin	Latch & Deadbolt	DL01-650SS	2 Long

# AVANTIS Lever Operated Latch & Deadbolt Twin Spindle - 2 Hook 2 Roller



## Features

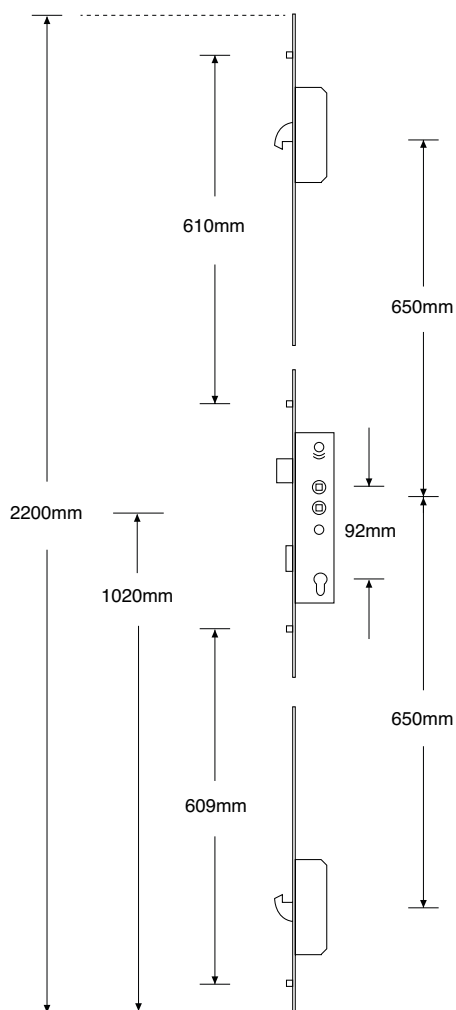
- 2 Hook 2 Roller
- 16mm wide faceplate
- 92mm centres
- 35mm backset
- Twin spindle
- Latch & Deadbolt

## Overview

Avantis door locks have the largest hook and bolts on the market at 25mm and are designed to provide both ultimate security & compression. This multipoint lock has 2 hooks, 2 rollers, a twin spindle, 35mm backset, 92mm centres and a 16mm wide faceplate.

## Operation

A - Lift lever to engage locking mechanisms and then one full turn of the cylinder to lock. One full turn of the key then push down on the lever to unlock.



## Associated Products

### CHAMELEON Pro Adaptable Door Handle

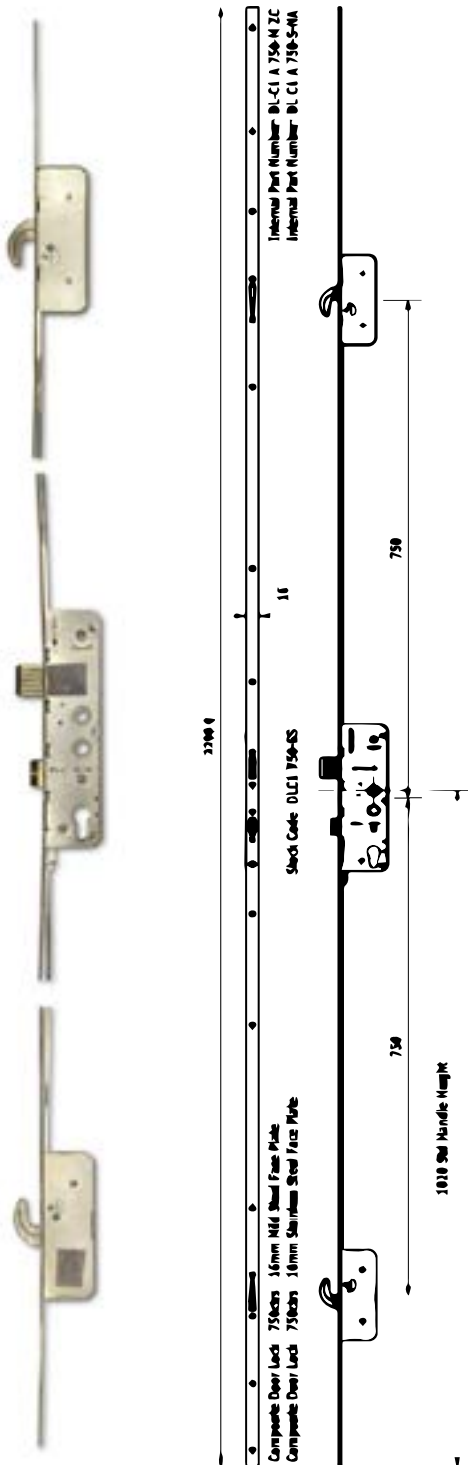
- CH30025 White
- CH30026 Silver
- CH30027 Polished Silver
- CH30028 Gold
- CH30068 Black



page  
312

Product Code	Backset	Centres	Spindle	Centre Case	Mfr Ref.	Hooks	Rollers
L24012	35mm	92/62	Twin	Latch & Deadbolt	DL01-552HSSS	2 Short	2
L24014	35mm	92/62	Twin	Latch & Deadbolt	MPL DL01-652SS	2 Long	2

# AVANTIS Lever Operated Latch & Deadbolt Twin Spindle - 2 Hook Large



## Features

- 2 Hook Large
- 92mm centres
- 45mm backset
- Twin spindle
- Latch & Deadbolt
- To suit composition doors

## Overview

Avantis door locks have the largest hook and bolts on the market at 25mm and are designed to provide both ultimate security & compression. This multipoint look has 2 large hooks, a twin spindle, 45mm backset, 92mm centres and a 16mm or 20mm wide faceplate.

## Operation

A - Lift lever to engage locking mechanisms and then one full turn of the cylinder to lock. One full turn of the key then push down on the lever to unlock.

## Associated Products

### CHAMELEON Pro Adaptable Door Handle

- CH30025 White
- CH30026 Silver
- CH30027 Polished Silver
- CH30028 Gold
- CH30068 Black



page  
312

Product Code	Backset	Centres	Spindle	Centre Case	Mfr Ref.	Hooks
L24015	45mm	92/62mm	Twin	Latch & Deadbolt	DLC1-750SS	2 (16mm)
L24016	45mm	92/62mm	Twin	Latch & Deadbolt	DLC2-751MS	2 (20mm)

# AVOCET Lever Operated Latch & Deadbolt Twin Spindle - 4 Hook 4 Roller

**DISCONTINUED**

 92  
62 35


## Features

- Euro Profile Lock Case
- Latch & Deadbolt
- Twin Spindle
- 16mm Faceplate

## Operation

A - Lift lever to engage locking mechanisms and then one full turn of the cylinder to lock. One full turn of the key then push down on the lever to unlock.

## Notes

Discontinued use CH10579 Chameleon Full Adaptable Unit.

## Associated Products

### CHAMELEON Pro Adaptable Door Handle

CH30025	White
CH30026	Silver
CH30027	Polished Silver
CH30028	Gold
CH30068	Black


 page  
312

### ASEC 92 Lever/Lever UPVC Furniture - 220mm Backplate

L18404	Black
L18405	Chrome
L18406	Gold
L18407	White


 page  
322

### GU 6-3001400 Centre Keep

L12049	LH
L12050	RH


 page  
453

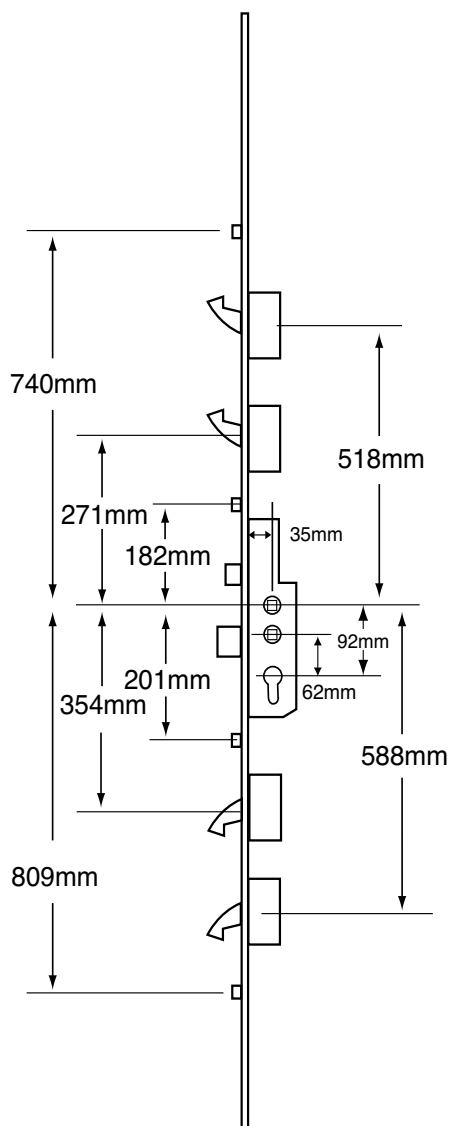
### GU 9-379860003 Roller Keep

L12051	Roller Keep
--------	-------------


 page  
515

### GU Hook Bolt Keep

L15385	Hook Bolt Keep
--------	----------------


 page  
516


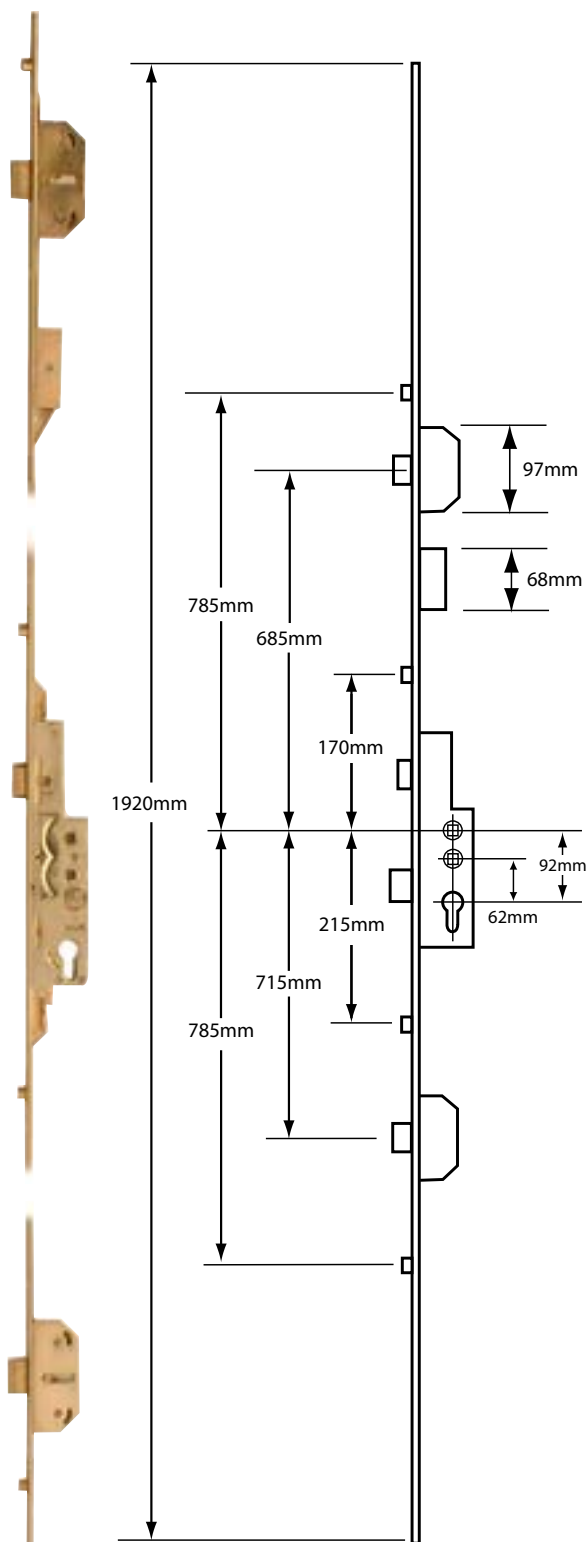
Product Code	Backset	Centres	Spindle	Centre Case	Mfr Ref.	Hooks	Rollers
L20460	35mm	92/62mm	Twin	Latch & Deadbolt	DL354H4RT	4	4



# AVOCET Lever Operated Latch & Deadbolt Twin Spindle - 2 Deadbolt 4 Roller



Door



## Features

- Euro Profile Lock Case
- Latch & Deadbolt
- Twin Spindle
- 16mm Faceplate

## Operation

A - Lift lever to engage locking mechanisms and then one full turn of the cylinder to lock. One full turn of the key then push down on the lever to unlock.

## Notes

**Discontinued 28mm - use CH10577 Chameleon Full Adaptable Unit.**

## Associated Products

### CHAMELEON Pro Adaptable Door Handle

- CH30025 White
- CH30026 Silver
- CH30027 Polished Silver
- CH30028 Gold
- CH30068 Black



page 312

### ASEC 92 Lever/Lever UPVC Furniture - 240mm Backplate

- L18398 Chrome
- L18399 Gold
- L18400 White



page 323

### FERCO E11637-00-0-3 Roller Keep

- L14405 Roller Keep



page 508

### GU 6-3001400 Centre Keep

- L12049 LH
- L12050 RH



page 453

### GU 9-379860003 Roller Keep

- L12051 Roller Keep



page 515

### GU Deadbolt Keep

- L15386 Deadbolt Keep



page 454

Product Code	Backset	Centres	Spindle	Centre Case	Mfr Ref.	Deadbolts	Rollers
L20459	28mm	92/62mm	Twin	Latch & Deadbolt	DLPN283D4RT	2	4
L15356	35mm	92/62mm	Twin	Latch & Deadbolt	DLPN353D4RT	2	4



Full Units -

# AVOCET Lever Operated Latch & Deadbolt Twin Spindle - 2 Hook 2 Roller

92  
62 35

## Features

- Euro Profile Lock Case
- Latch & Deadbolt
- Twin Spindle
- 16mm Faceplate

## Operation

A - Lift lever to engage locking mechanisms and then one full turn of the cylinder to lock. One full turn of the key then push down on the lever to unlock.

## Associated Products

### CHAMELEON Pro Adaptable Door Handle

CH30025	White
CH30026	Silver
CH30027	Polished Silver
CH30028	Gold
CH30068	Black

page  
312

### ASEC 92 Lever/Lever UPVC Furniture - 240mm Backplate

L18398	Chrome
L18399	Gold
L18400	White

page  
323

### AVOCET Full Length Keep - 2 Hook 2 Roller

L18634	LH
L18633	RH

page  
504

### GU 9-379860003 Roller Keep

L12051	Roller Keep
--------	-------------

page  
515

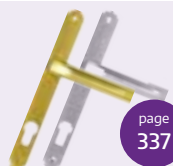
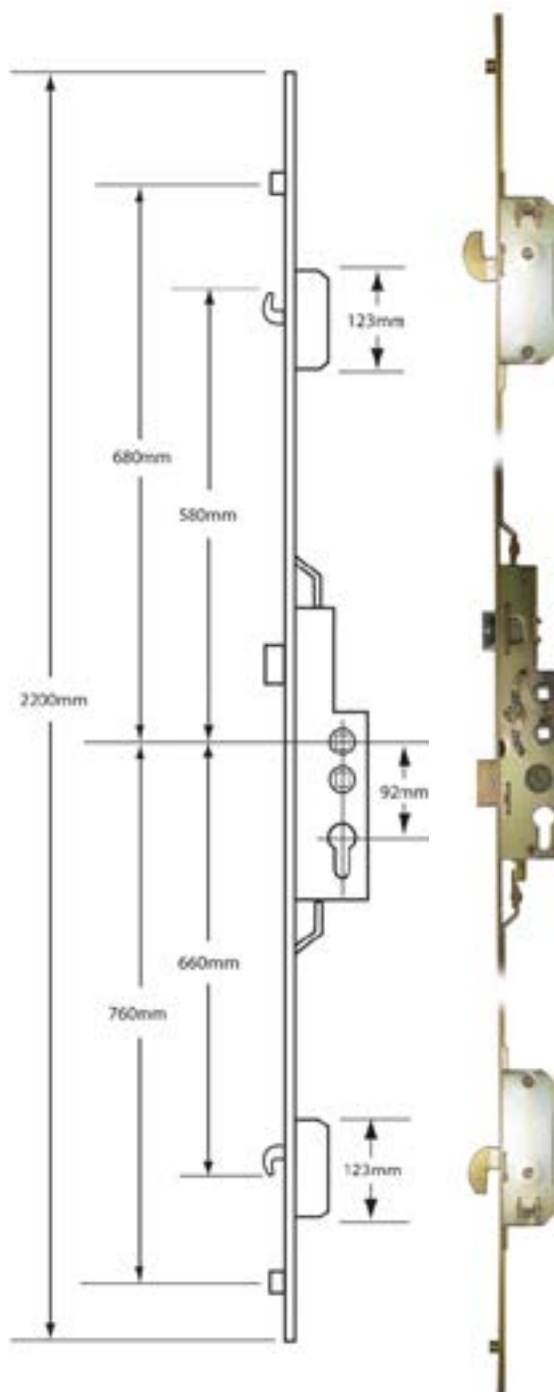
### GU Hook Bolt Keep

L15385	Hook Bolt Keep
--------	----------------

page  
516

### HOPPE UPVC Lever Door Furniture

L15456	Silver
L15457	Gold
L15458	White

page  
337

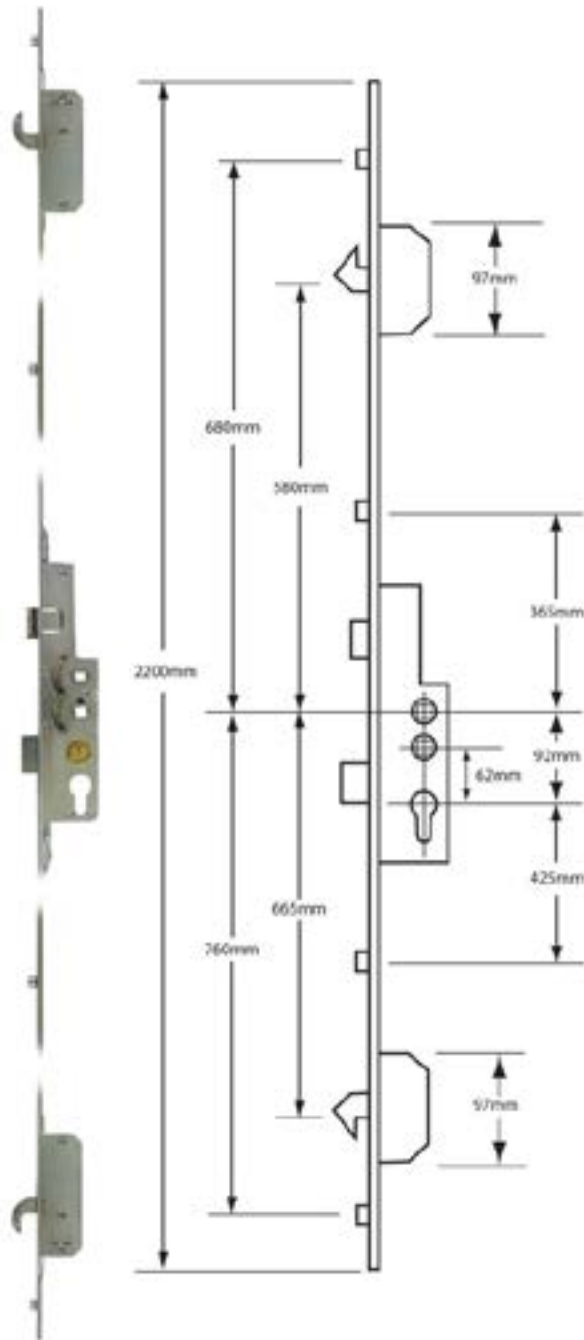
Product Code	Backset	Centres	Spindle	Centre Case	Mfr Ref.	Hooks	Rollers
L17414	35mm	92/62mm	Twin	Latch & Deadbolt	DLPN352H2RT	2	2

# AVOCET Lever Operated Latch & Deadbolt Twin Spindle - 2 Hook 4 Roller



92  
62 35

Door



## Features

- Euro Profile Lock Case
- Latch & Deadbolt
- Twin Spindle
- 16mm Faceplate

## Operation

A - Lift lever to engage locking mechanisms and then one full turn of the cylinder to lock. One full turn of the key then push down on the lever to unlock.

## Associated Products

### CHAMELEON Pro Adaptable Door Handle

- CH30025 White
- CH30026 Silver
- CH30027 Polished Silver
- CH30028 Gold
- CH30068 Black



page  
312

### ASEC 92 Lever/Lever UPVC Furniture - 240mm Backplate

- L18398 Chrome
- L18399 Gold
- L18400 White



page  
323

### AVOCET Full Length Keep - 2 Hook 4 Roller

- L18632 LH
- L18635 RH



page  
505

### GU 9-379860003 Roller Keep

- L12051 Roller Keep



page  
515

### GU Hook Bolt Keep

- L15385 Hook Bolt Keep



page  
516

Product Code	Backset	Centres	Spindle	Centre Case	Mfr Ref.	Hooks	Rollers
L15357	35mm	92/62mm	Twin	Latch & Deadbolt	DLPN352H4RT	2	4

avocet  
HARDWARE

Full Units -

# AVOCET Lever Operated Latch & Deadbolt Twin Spindle - 4 Roller

92  
62 35

## Features

- Euro Profile Lock Case
- Latch & Deadbolt
- Twin Spindle
- 16mm Faceplate

## Operation

A - Lift lever to engage locking mechanisms and then one full turn of the cylinder to lock. One full turn of the key then push down on the lever to unlock.

## Associated Products

### CHAMELEON Pro Adaptable Door Handle

CH30025	White
CH30026	Silver
CH30027	Polished Silver
CH30028	Gold
CH30068	Black

page  
312

### ASEC 92 Lever/Lever UPVC Furniture - 240mm Backplate

L18398	Chrome
L18399	Gold
L18400	White

page  
323

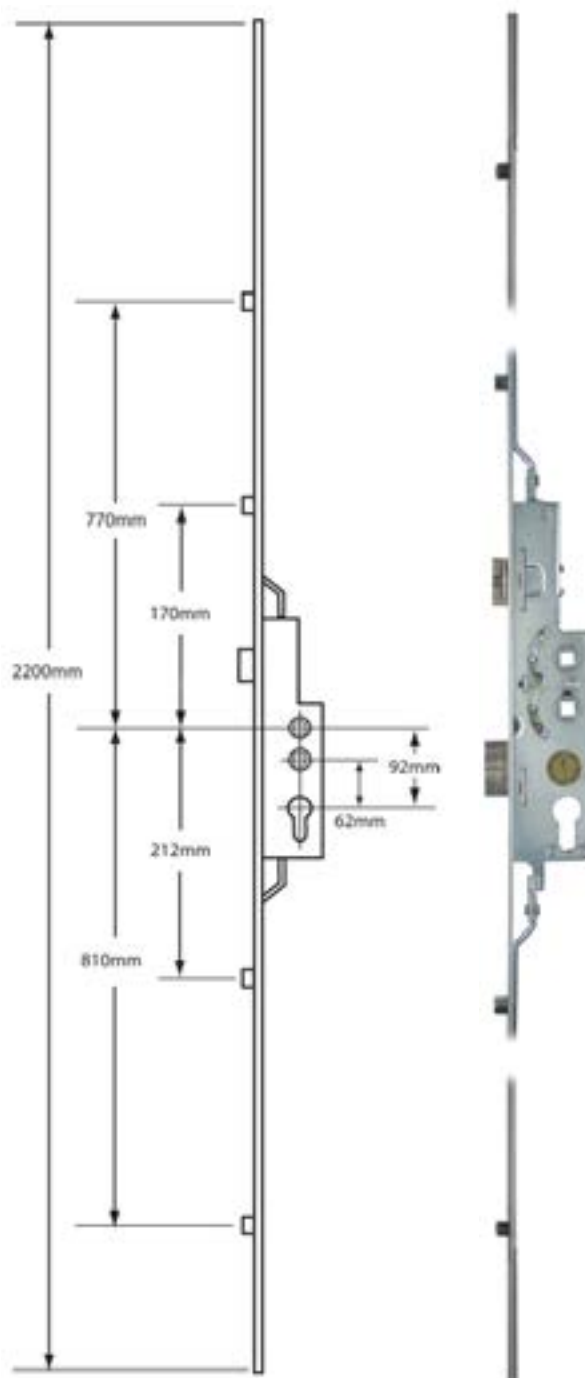
### FERCO E11637-00-0-3 Roller Keep

L14405	Roller Keep
--------	-------------

page  
508

### GU 6-3001400 Centre Keep

L12049	LH
L12050	RH

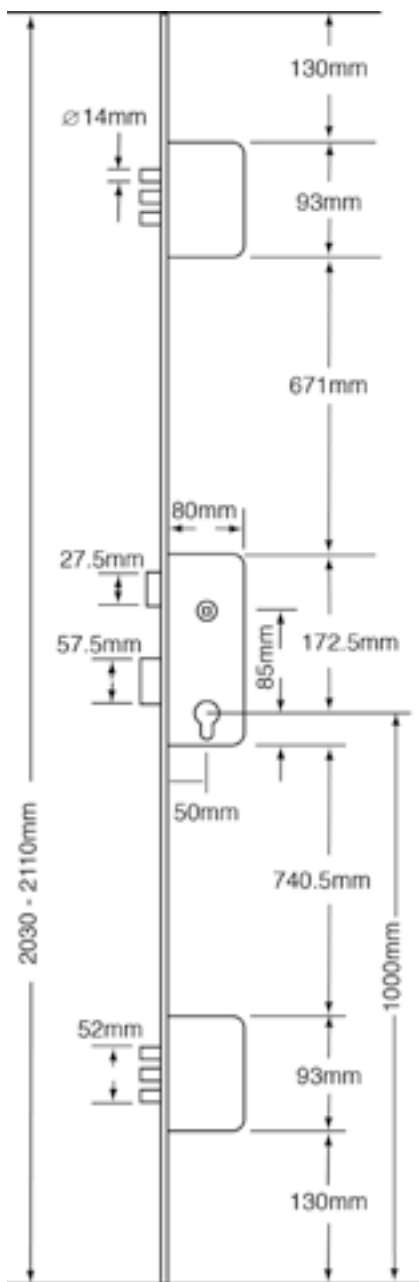
page  
453

Product Code	Backset	Centres	Spindle	Centre Case	Mfr Ref.	Rollers
L17415	35mm	92/62mm	Twin	Latch & Deadbolt	DLPN354RT	4

# AZBE Lever Operated Latch & Deadbolt - 6 Pin



Door



## Features

- 24mm U-Rail Faceplate
- 50mm Backset
- Euro Profile Lock Case
- 85mm Centres
- Latch & Deadbolt
- Single Spindle to suit Fullex
- Secure bolt through fixings

## Operation

A - Lift lever to engage locking mechanisms and then one full turn of the cylinder to lock. One full turn of the key then push down on the lever to unlock

## Associated Products

### CHAMELEON Pro Adaptable Door Handle

- CH30025 White
- CH30026 Silver
- CH30027 Polished Silver
- CH30028 Gold
- CH30068 Black



page  
312

### ASEC 85 Lever/Lever UPVC Furniture - 242mm Backplate

- AS10666 Gold
- AS10667 Silver
- AS10668 White



page  
320

Product Code	Backset	Centres	Centre Case	Spindle	Mfr Ref.	Pins
L25480	50mm	85mm	Latch & Deadbolt	Single	89228076-040M3AL	6

# CEGO Surelock Lever Operated Latch & Deadbolt - 2 Hook 2 Roller

**DISCONTINUED**



## Features

- Euro Profile Lock Case
- Latch & Deadbolt
- Single Spindle
- 16mm Faceplate

## Operation

A - Lift lever to engage locking mechanisms and then one full turn of the cylinder to lock. One full turn of the key then push down on the lever to unlock.

## Notes

**Discontinued - replace with:**

**Gearbox L16230.**

**L15357 used with full length keeps.**

**CH10579 Chameleon Full Adaptable Unit.**

## Associated Products

### CHAMELEON Pro Adaptable Door Handle

- CH30025 White
- CH30026 Silver
- CH30027 Polished Silver
- CH30028 Gold
- CH30068 Black



page 312

### ASEC 92 Lever/Lever UPVC Furniture - 240mm Backplate

- L18398 Chrome
- L18399 Gold
- L18400 White



page 323

### GU 6-3001400 Centre Keep

- L12049 LH
- L12050 RH



page 453

### GU 9-379860003 Roller Keep

- L12051 Roller Keep



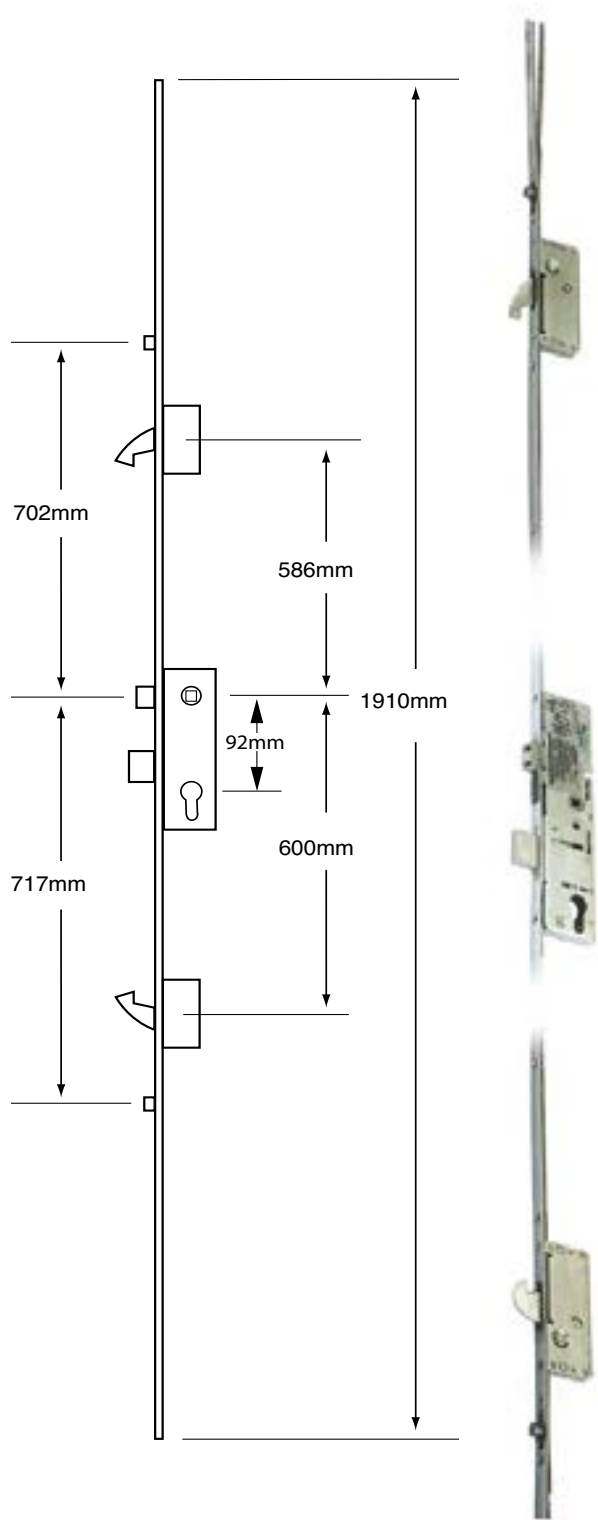
page 515

### GU Hook Bolt Keep

- L15385 Hook Bolt Keep



page 516

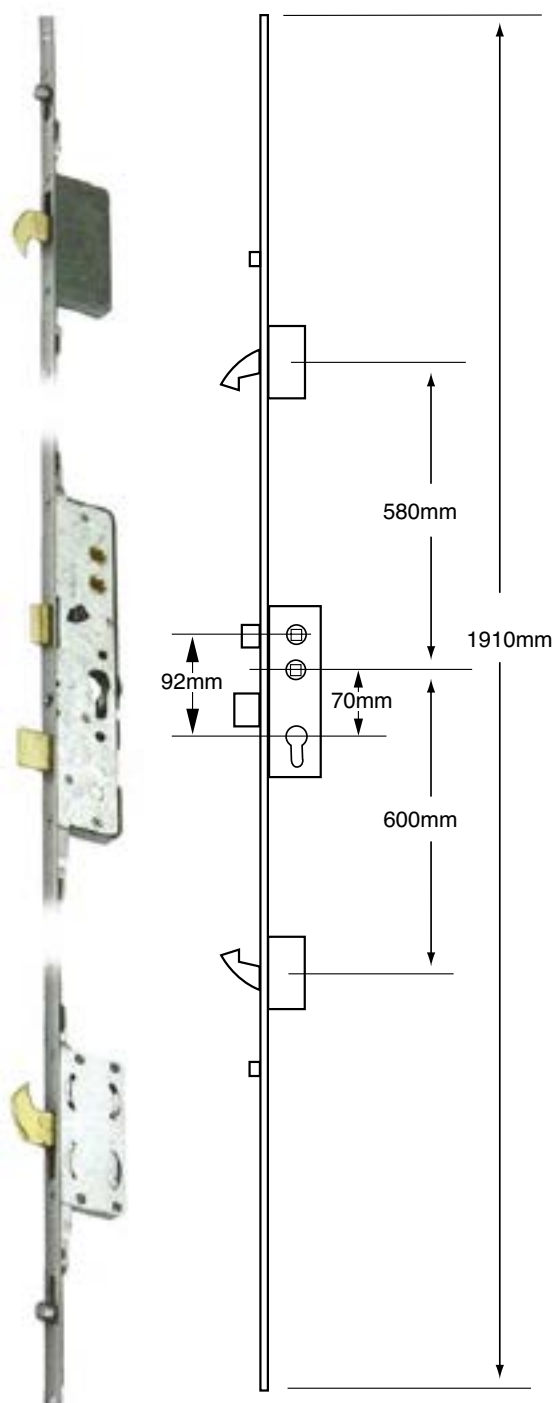


Product Code	Backset	Centres	Spindle	Centre Case	Mfr Ref.	Hooks	Rollers
L20463	35mm	92mm	Split	Latch & Deadbolt	67352H2R	2	2

# CEGO Surelock Lever Operated Latch & Deadbolt Twin Spindle - 2 Hook 2 Roller


**DISCONTINUED**

Door



## Features

- Euro Profile Lock Case
- Latch & Deadbolt
- Single Spindle
- 16mm Faceplate

## Operation

A - Lift lever to engage locking mechanisms and then one full turn of the cylinder to lock. One full turn of the key then push down on the lever to unlock.

## Notes

**Discontinued - Use L16221 gearbox or CH10579 Chameleon Full Adaptable Unit.**

## Gearbox

CEGO Surelock Lever Operated Latch & Deadbolt - Centre Case

L16221 35/92-70


 page  
46

## Associated Products

CHAMELEON Pro Adaptable Door Handle

CH30025 White  
CH30026 Silver  
CH30027 Polished Silver  
CH30028 Gold  
CH30068 Black


 page  
312

GU 6-3001400 Centre Keep

L12049 LH  
L12050 RH


 page  
453

GU 9-379860003 Roller Keep

L12051 Roller Keep


 page  
515

GU Hook Bolt Keep

L15385 Hook Bolt Keep


 page  
516

Product Code	Backset	Centres	Centre Case	Spindle	Mfr Ref.	Hooks	Rollers
L20462	35mm	92/70mm	Latch & Deadbolt	Twin	050132H2R	2	2

# CEGO Surelock Lever Operated Latch & Hook Bolt - 2 Hook 2 Roller

**DISCONTINUED**

92 35 **cego**

## Features

- Euro Profile Lock Case
- Latch & Hook Bolt
- Single Spindle
- 16mm Faceplate

## Operation

A - Lift lever to engage locking mechanisms and then one full turn of the cylinder to lock. One full turn of the key then push down on the lever to unlock.

## Notes

**Discontinued - replace with:**

**Gearbox L16230.**

**CH10579 Chameleon Full Adaptable Unit.**

## Gearbox

ERA Lever Operated Latch & Deadbolt  
Split Spindle - Centre Case

L16230 35/92



page  
29

## Associated Products

CHAMELEON Pro Adaptable Door Handle

CH30025 White  
CH30026 Silver  
CH30027 Polished Silver  
CH30028 Gold  
CH30068 Black



page  
312

GU 6-3001400 Centre Keep

L12049 LH  
L12050 RH



page  
453

GU 9-379860003 Roller Keep

L12051 Roller Keep



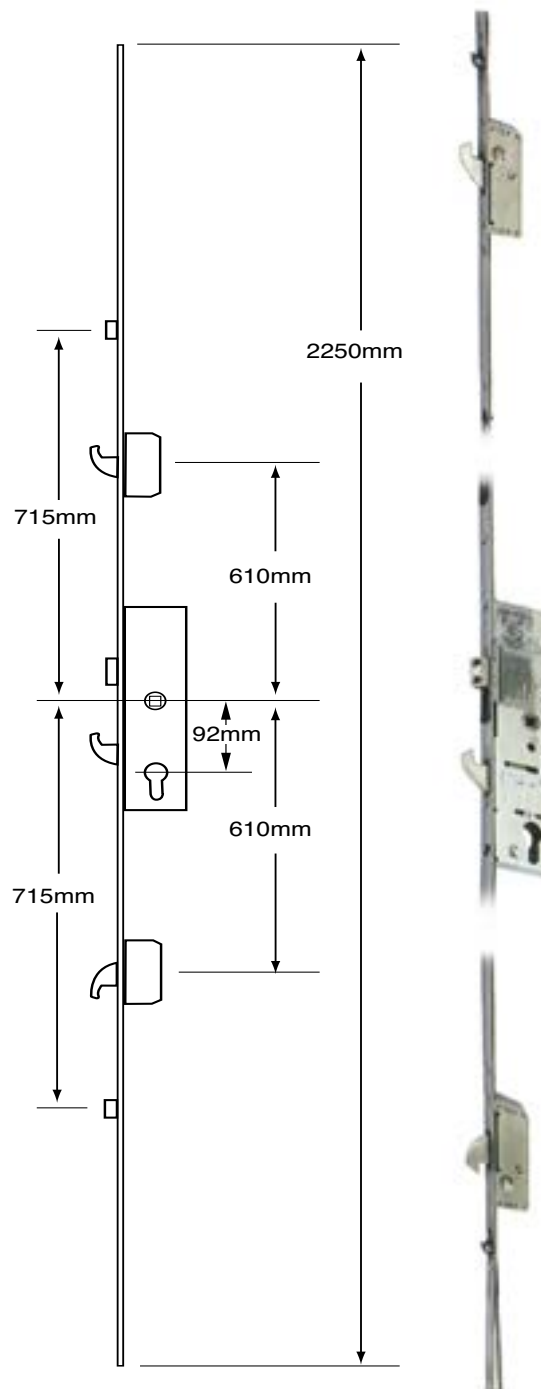
page  
515

GU Hook Bolt Keep

L15385 Hook Bolt Keep



page  
516

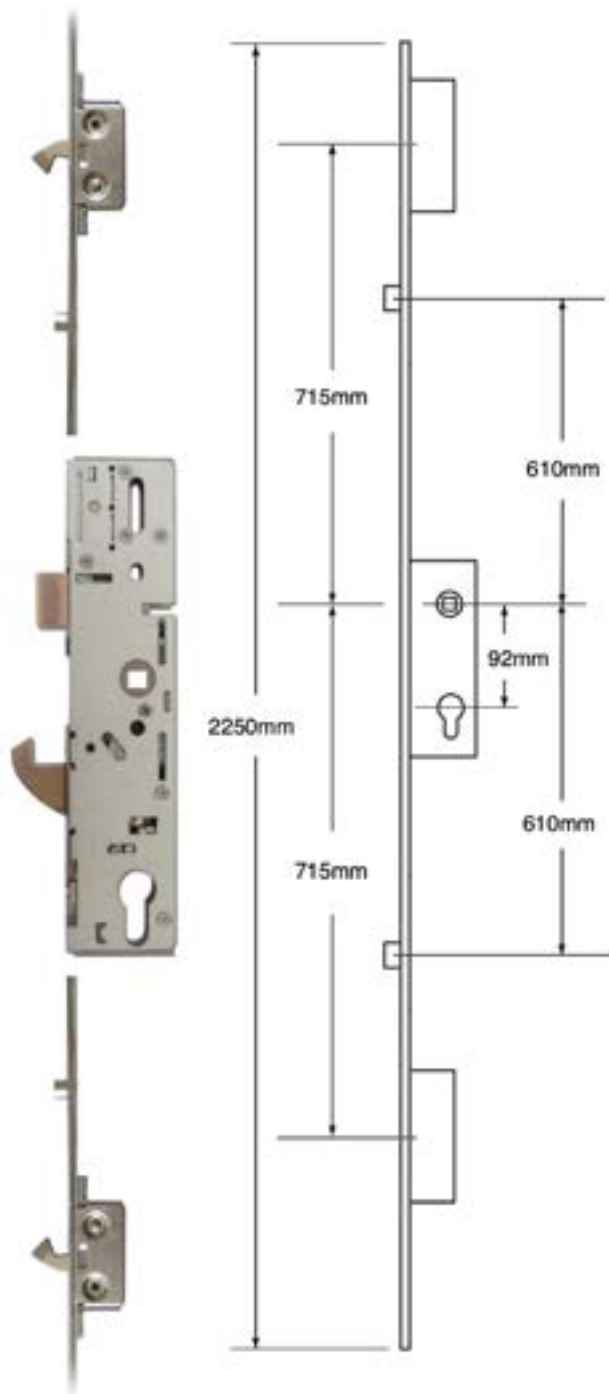


Product Code	Backset	Centres	Spindle	Centre Case	Mfr Ref.	Hooks	Rollers
L20464	35mm	92mm	Split	Latch & Hook Bolt	66352H2R	2	2



# ERA 6635 Lever Operated Latch & Hook Bolt Split Spindle 16mm - 2 Hook 2 Roller

Door



## Features

- Bi-directional throw of locking feature - enhanced anti-jimmy feature
- Split Spindle for lever/pad applications
- Non-handed lock mechanism with reversible sash bolt
- 16mm Faceplate
- Snib facility as standard on all locks

## Overview

Era's comprehensive range of multipoint locks are suitable for UPVC, composite, steel faced and timber entrance doors. This non-handed high security multipoint locking system is designed to meet the requirements of Secured by Design, passing the latest PAS23 and PAS24 testing criteria.

The Era 6635 has a snib, bi-directional throw of locking feature with an enhanced anti-jimmy feature and is suitable for split spindle lever/pad applications.

## Operation

A - Lift lever to engage locking mechanisms and then one full turn of the cylinder to lock. One full turn of the key then push down on the lever to unlock.

## Gearbox

### ERA Lever Operated Latch & Hookbolt Split Spindle - Centre Case

L22762 35/92



page  
29

## Associated Products

### CHAMELEON Pro Adaptable Door Handle

CH30025 White  
CH30026 Silver  
CH30027 Polished Silver  
CH30028 Gold  
CH30068 Black



page  
312

### GU 6-3001400 Centre Keep

L12049 LH  
L12050 RH



page  
453

### GU 9-379860003 Roller Keep

L12051 Roller Keep



page  
515

### GU Hook Bolt Keep

L15385 Hook Bolt Keep



page  
516

Product Code	Backset	Centres	Spindle	Centre Case	Mfr Ref.	Hooks	Rollers
L24183	35mm	92mm	Split	Latch & Hook Bolt	6635 00 85AA	2	2

ERA

Full Units -

# ERA Electronic Latch & Deadbolt - 2 Deadbolt



## Features

- Electronically Operated
- Keywind Operation
- Latch & Deadbolt
- 16mm Faceplate

## Overview

Unit automatically locks when the door is closed, unlocks with key, inside handle or electrical input.

## Operation

A - Lift lever to engage locking mechanisms and then one full turn of the cylinder to lock. One full turn of the key then push down on the lever to unlock.

## Associated Products

### CHAMELEON Pro Adaptable Door Handle

CH30025	White
CH30026	Silver
CH30027	Polished Silver
CH30028	Gold
CH30068	Black



page  
312

### ASEC Boxed Power Supply

AS9101	12VDC 2 Amp
--------	-------------



page  
456

### HOPPE Lever / Pad Fixing Plate

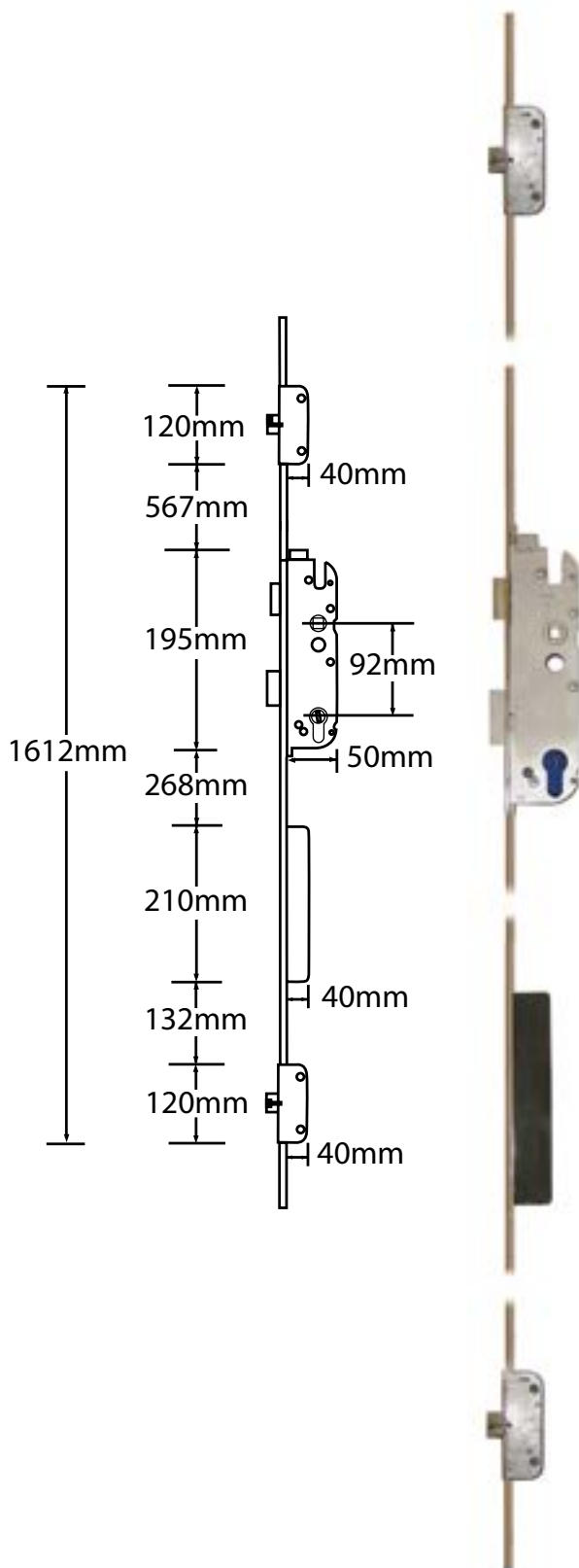
L16401	Lever Pad Fixing Plate
--------	------------------------



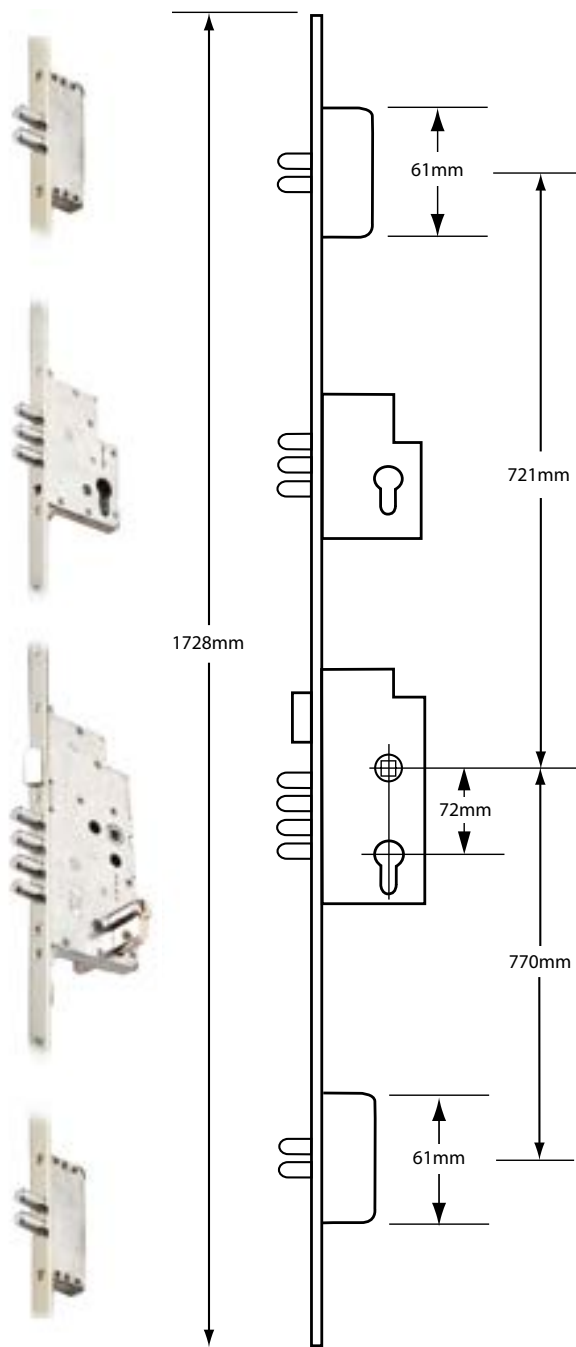
page  
385

For Keeps please refer to pages 453-455

Product Code	Backset	Centres	Spindle	Centre Case	Mfr Ref.	Deadbolts
L20515	35mm	92mm	Single	Latch & Deadbolt	5435 00 ELEC	2
L20516	55mm	92mm	Single	Latch & Deadbolt	5455 80 ELEC	2



# ERA Garrison Lever Operated Latch & Security Bolts 20mm Faceplate - 7 Security Bolt



### Features

- Euro Profile Lock Case
- Latch & Pinbolt
- Single Spindle
- 20mm Faceplate

### Operation

A - Lift lever to engage locking mechanisms and then one full turn of the cylinder to lock. One full turn of the key then push down on the lever to unlock.

### Notes

Available to order through our Specials Department

### Associated Products

#### CHAMELEON Pro Adaptable Door Handle

- CH30025 White
- CH30026 Silver
- CH30027 Polished Silver
- CH30028 Gold
- CH30068 Black



page 312

Product Code	Backset	Centres	Spindle	Centre Case	Mfr Ref.	Pins
L20512	50mm	72mm	Single	Latch & Pinbolt	3450 80- 85 Z	11
L20513	55mm	72mm	Single	Latch & Pinbolt	3455 80- 85 Z	11
L20514	65mm	72mm	Single	Latch & Pinbolt	3465 80- 85 Z	11

# ERA Lever Operated Latch & Deadbolt Split Spindle - 2 Hook 2 Roller

92

35

ERA

## Features

- Non-handed lock mechanism with reversible latch bolt
- Central brass deadbolt throws 22mm to prevent unauthorised entry
- Snib facility as standard on all locks
- Bi-directional throw of locking feature - enhanced anti-jimmy feature
- Split Spindle for lever/pad applications
- 16mm Faceplate

## Overview

ERA's comprehensive range of MPLs are suitable for PVCu, composite, steel faced and timber entrance doors. The high security MPL locking system is designed to meet the requirements of Secured by Design passing the latest PAS23 and PAS24 testing criteria.

## Operation

A - Lift lever to engage locking mechanisms and then one full turn of the cylinder to lock. One full turn of the key then push down on the lever to unlock.

## Gearbox

ERA Lever Operated Latch & Deadbolt  
Split Spindle - Centre Case

L16230 35/92



page  
29

## Associated Products

CHAMELEON Pro Adaptable Door Handle

CH30025 White  
CH30026 Silver  
CH30027 Polished Silver  
CH30028 Gold  
CH30068 Black



page  
312

GU 6-3001400 Centre Keep

L12049 LH  
L12050 RH



page  
453

GU 9-379860003 Roller Keep

L12051 Roller Keep



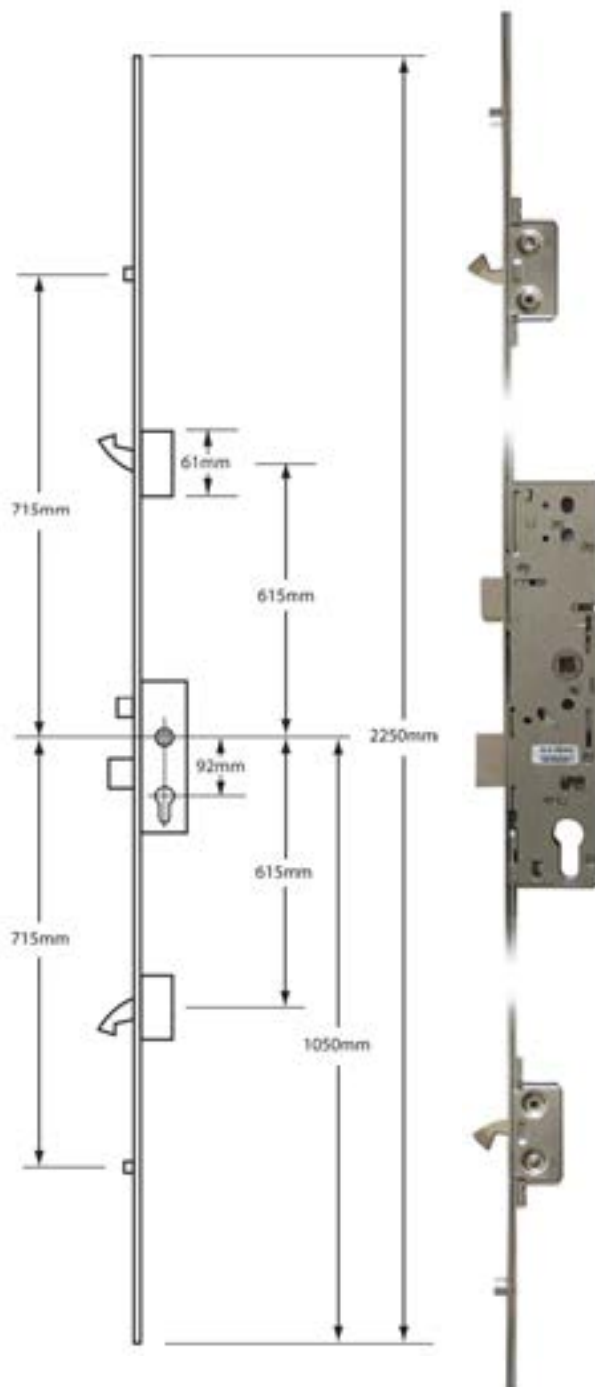
page  
515

GU Hook Bolt Keep

L15385 Hook Bolt Keep

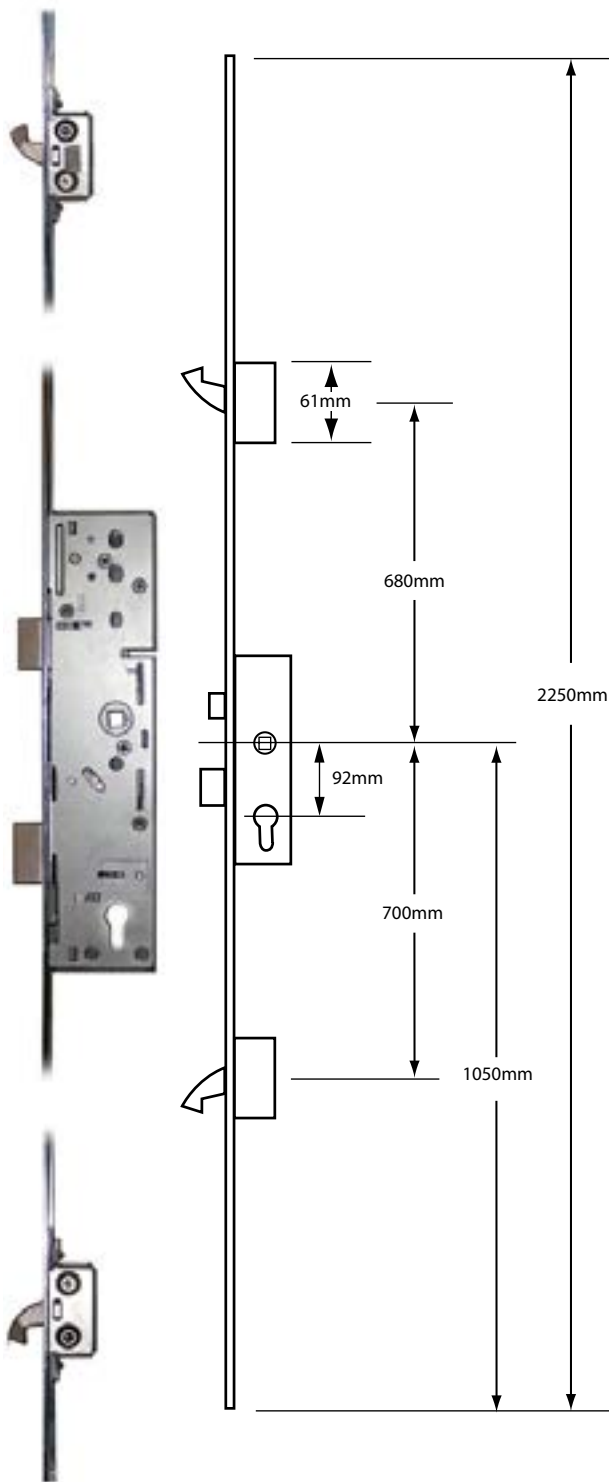


page  
516



Product Code	Backset	Centres	Spindle	Centre Case	Mfr Ref.	Hooks	Rollers
L15438	35mm	92mm	Split	Latch & Deadbolt	6235 00 85AA	2	2

# ERA Lever Operated Latch & Deadbolt Split Spindle - 2 Hook



## Features

- Non-handed lock mechanism with reversible sash bolt
- Central brass deadbolt throws 22mm to prevent unauthorised entry
- Snib facility as standard on all locks
- Bi-directional throw of locking feature - enhanced anti-jimmy feature
- Split Spindle for lever/pad applications
- 16mm Faceplate

## Operation

A - Lift lever to engage locking mechanisms and then one full turn of the cylinder to lock. One full turn of the key then push down on the lever to unlock.

## Gearbox

### ERA Lever Operated Latch & Deadbolt Split Spindle - Centre Case

L16231 45/92



page  
29

## Associated Products

### CHAMELEON Pro Adaptable Door Handle

CH30025 White  
CH30026 Silver  
CH30027 Polished Silver  
CH30028 Gold  
CH30068 Black



page  
312

### ASEC 92 Lever/Lever UPVC Furniture - 220mm Backplate

L18404 Black  
L18405 Chrome  
L18406 Gold  
L18407 White



page  
322

### ERA Lever Operated Latch & Deadbolt Split Spindle - Centre Case

L23675 30/92  
L16230 35/92  
L16231 45/92



page  
29

### GU 6-3001400 Centre Keep

L12049 LH  
L12050 RH



page  
453

### GU Hook Bolt Keep

L15385 Hook Bolt Keep



page  
516

Product Code	Backset	Centres	Spindle	Centre Case	Mfr Ref.	Hooks
L15437	45mm	92mm	Split	Latch & Deadbolt	6345 00 85MA	2

# ERA Lever Operated Latch & Deadbolt Split Spindle 20mm - 2 Hook



## Features

- Non-handed lock mechanism with reversible latch bolt
- Central brass deadbolt throws 22mm to prevent unauthorised entry
- Snib Facility as standard on all locks
- Bi-directional throw of locking feature - enhanced anti-jimmy feature
- Split Spindle for lever/pad applications
- 20mm Radius

## Operation

A - Lift lever to engage locking mechanisms and then one full turn of the cylinder to lock. One full turn of the key then push down on the lever to unlock.

## Gearbox

ERA Lever Operated Latch & Deadbolt  
Split Spindle - Centre Case

L16231 45/92



page  
29

## Associated Products

CHAMELEON Pro Adaptable Door Handle

CH30025 White  
CH30026 Silver  
CH30027 Polished Silver  
CH30028 Gold  
CH30068 Black



page  
312

ASEC 92 Lever/Lever UPVC Furniture -  
220mm Backplate

L18404 Black  
L18405 Chrome  
L18406 Gold  
L18407 White



page  
322

GU E11413 Timber Hook / Dead Keep

L15571 Timber Hook/ Dead Keep



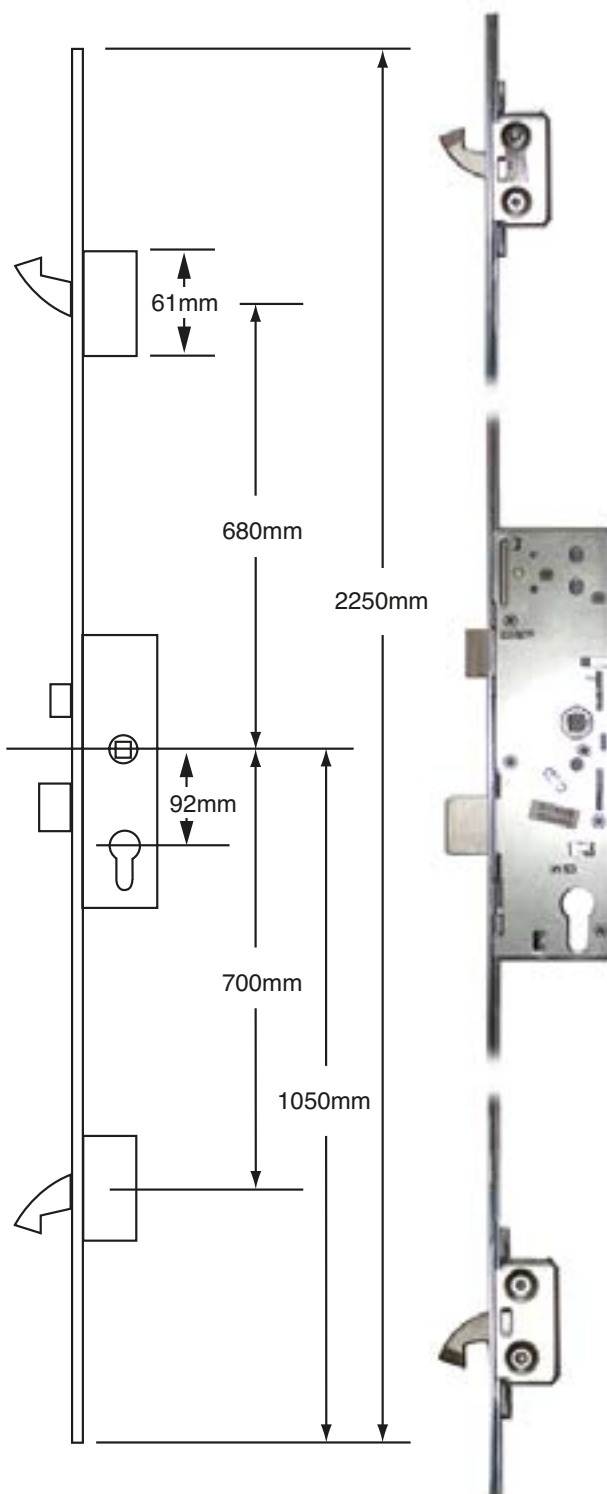
page  
515

GU E13338 Timber Centre Keep

L15572 Timber Centre Keep

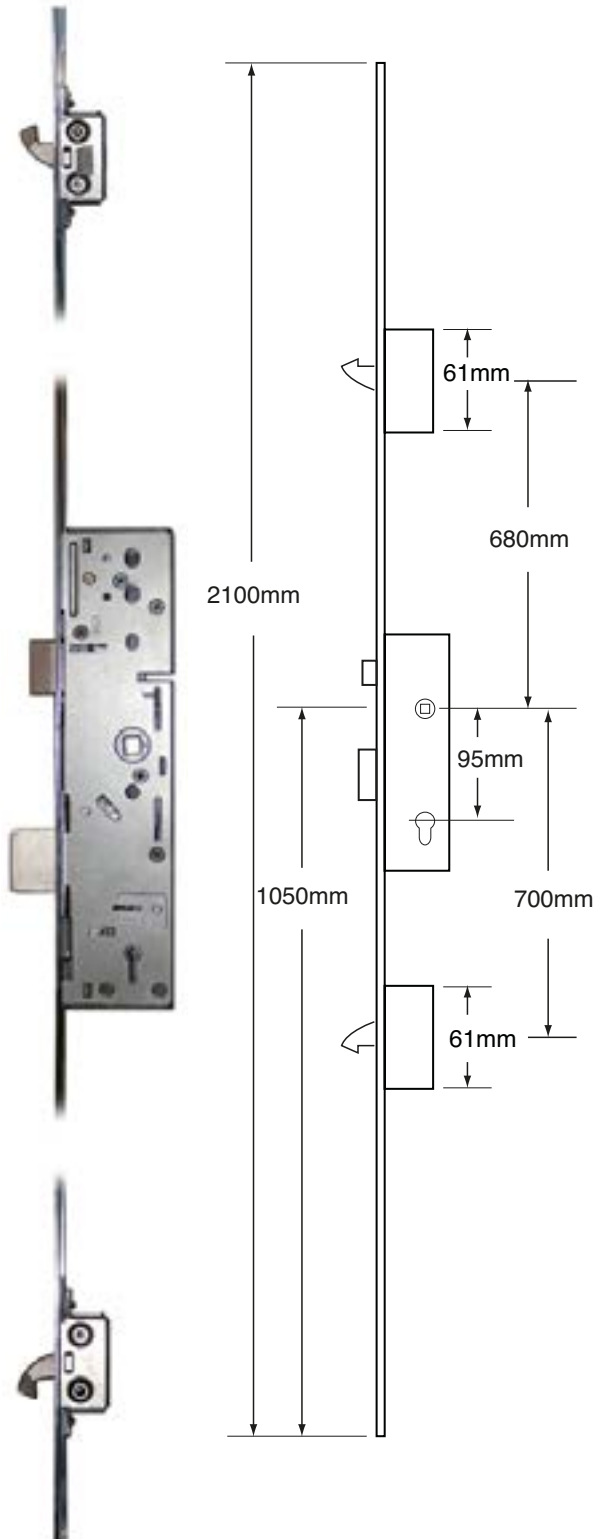


page  
500



Product Code	Backset	Centres	Spindle	Centre Case	Mfr Ref.	Hooks
L15439	45mm	92mm	Split	Latch & Deadbolt	6345 81 85MA	2

# ERA Vectis Lever Operated Latch & Deadbolt Split Spindle - 2 Hook



## Features

- UK Vectis Profile Lock Case 5 Lever
- Hardened steel plates giving enhanced strength against attack
- No-Cylinder means the Vectis Plus is free from cylinder manipulation, breaking/snapping and plug extraction
- Snib Facility as standard on all locks
- Bi-directional throw of locking feature - enhanced anti-jimmy feature
- Split Spindle for lever/pad applications

## Operation

A - Lift lever to engage locking mechanisms and then one full turn of the cylinder to lock. One full turn of the key then push down on the lever to unlock.

## Gearbox

ERA Vectis Lever Operated Latch & Deadbolt Split Spindle - Centre Case

L16390 45/95



page  
30

## Associated Products

ERA Vectis Classic UPVC Lever Door Furniture 3230

L16399 Gold  
L16400 White  
L20889 Chrome



page  
348

GU 6-3001400 Centre Keep

L12049 LH  
L12050 RH



page  
453

GU Hook Bolt Keep

L15385 Hook Bolt Keep



page  
516

Product Code	Backset	Centres	Spindle	Centre Case	Mfr Ref.	Hooks
L16393	45mm	95mm	Split	Latch & Deadbolt	9345 00 85AA	2

# ERA Vectis Lever Operated Latch & Deadbolt Split Spindle 20mm Radius - 2 Hook

95

45

ERA

## Features

- UK Vectis Profile Lock Case 5 Lever
- Hardened steel plates giving enhanced strength against attack
- No-Cylinder means the Vectis Plus is free from cylinder manipulation, breaking/snapping and plug extraction
- Snib Facility as standard on all locks
- Bi-directional throw of locking feature - enhanced anti-jimmy feature
- Split Spindle for lever/pad applications

## Overview

ERA's Vectis Plus is the next generation of Cylinder free Multi-point Locking using traditional lever technology used in mortice locks

## Operation

A - Lift lever to engage locking mechanisms and then one full turn of the cylinder to lock. One full turn of the key then push down on the lever to unlock.

## Gearbox

ERA Vectis Lever Operated Latch &  
Deadbolt Split Spindle - Centre Case  
L16390 45/95



page  
30

## Associated Products

ERA Vectis Classic UPVC Lever Door  
Furniture 3230

L16399 Gold  
L16400 White  
L20889 Chrome



page  
348

GU E11413 Timber Hook / Dead Keep

L15571 Timber Hook/ Dead Keep



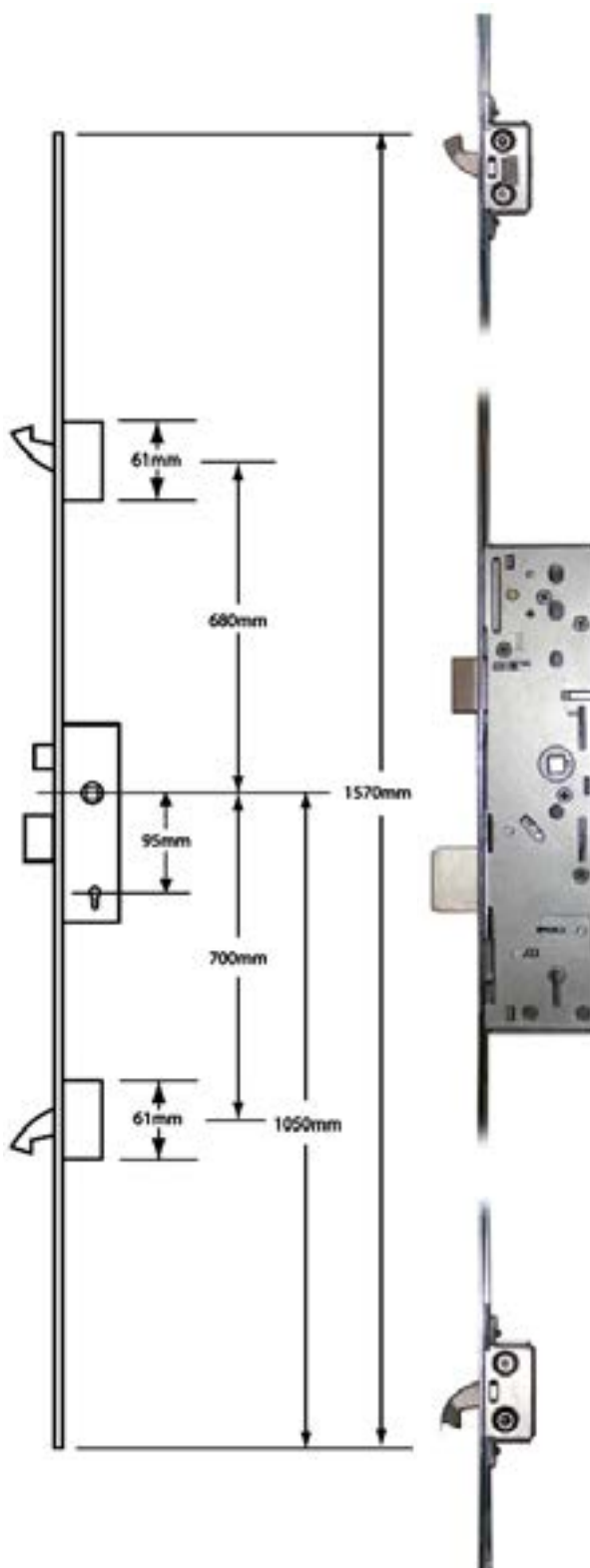
page  
515

GU E13338 Timber Centre Keep

L15572 Timber Centre Keep



page  
500



Door

ERA

Full Units -

Product Code	Backset	Centres	Spindle	Centre Case	Mfr Ref.	Hooks
L16392	45mm	95mm	Split	Latch & Deadbolt	9345 81 85MV	2

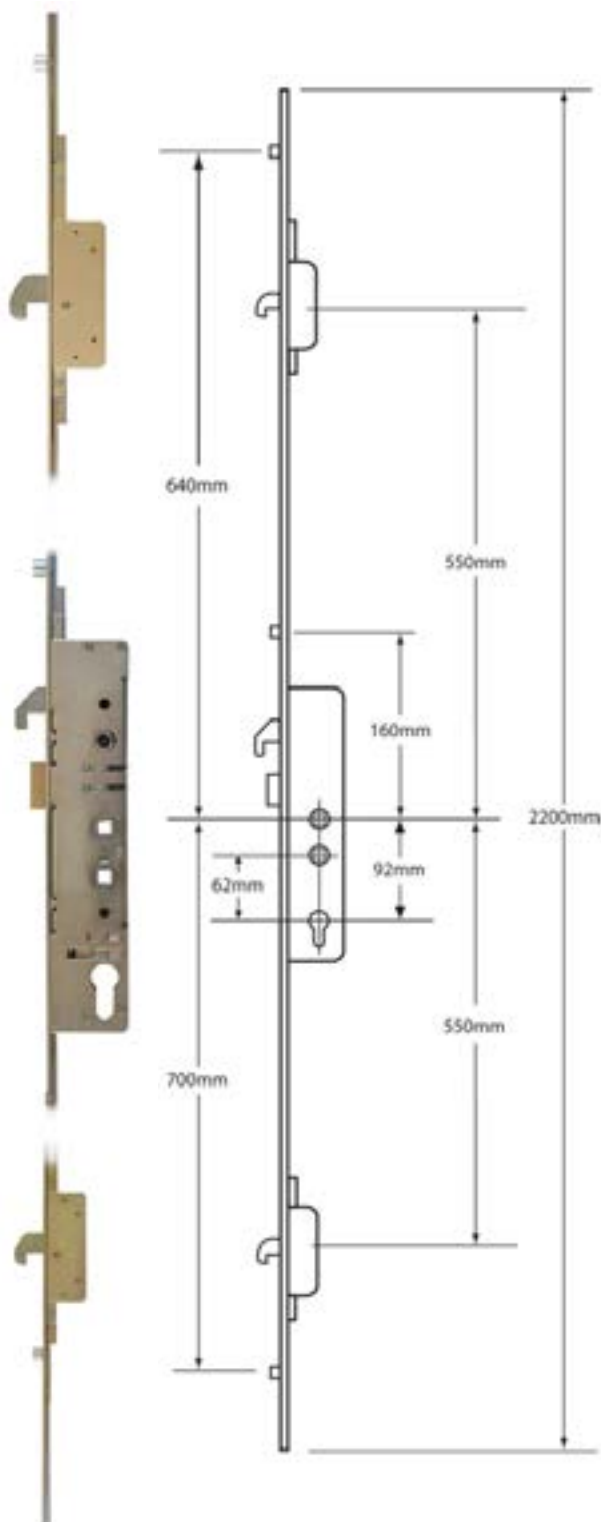


# FAB & FIX 6A000 Lever Operated Latch & Hook Bolt Twin Spindle - 2 Hook 2 Roller

Fab & Fix 92/62 35

**DISCONTINUED**

Door



## Features

- Euro Profile Lock Case
- Latch & Hookbolt
- Twin Spindle
- 16mm Faceplate

## Operation

A - Lift lever to engage locking mechanisms and then one full turn of the cylinder to lock. One full turn of the key then push down on the lever to unlock.

## Notes

**Discontinued - The manufacture recommends L24183 with some keep modification.**

## Associated Products

### CHAMELEON Pro Adaptable Door Handle

- CH30025 White
- CH30026 Silver
- CH30027 Polished Silver
- CH30028 Gold
- CH30068 Black



page  
312

### FAB & FIX 92PZ Lever/Lever UPVC Furniture - Ashford

- L18421 White



page  
326

### FAB & FIX Ashford 92/62PZ Offset Lever/Lever UPVC Furniture

- L18422 White



page  
345

### GU 6-3001400 Centre Keep

- L12049 LH
- L12050 RH



page  
453

### GU Hook Bolt Keep

- L15385 Hook Bolt Keep



page  
516

Product Code	Backset	Centres	Spindle	Centre Case	Mfr Ref.	Hooks	Rollers
L18350	35mm	92/62	Twin	Latch & Hook Bolt	6A000	2	2

Full Units - Fab & Fix

# FERCO Lever Operated Latch Only - 1 Hook 1 Roller 2 Mushroom



**DISCONTINUED**

## Features

- Euro Profile Lock Case
- Latch Only
- Single Spindle
- 16mm Faceplate

## Operation

A - Lift lever to engage locking mechanisms and then one full turn of the cylinder to lock. One full turn of the key then push down on the lever to unlock.

## Notes

**Discontinued, use L11748. Will require cutting for new centres new handles and keeps.**

## Associated Products

### CHAMELEON Pro Adaptable Door Handle

CH30025	White
CH30026	Silver
CH30027	Polished Silver
CH30028	Gold
CH30068	Black



page  
312

### FERCO E11637-00-0-3 Roller Keep

L14405 Roller Keep



page  
508

### FERCO E11639-00-0-3 Latch Keep

L14406 Latch Keep



page  
508

### GU 9-379870003 Mushroom Keep

L12052 Mushroom Keep



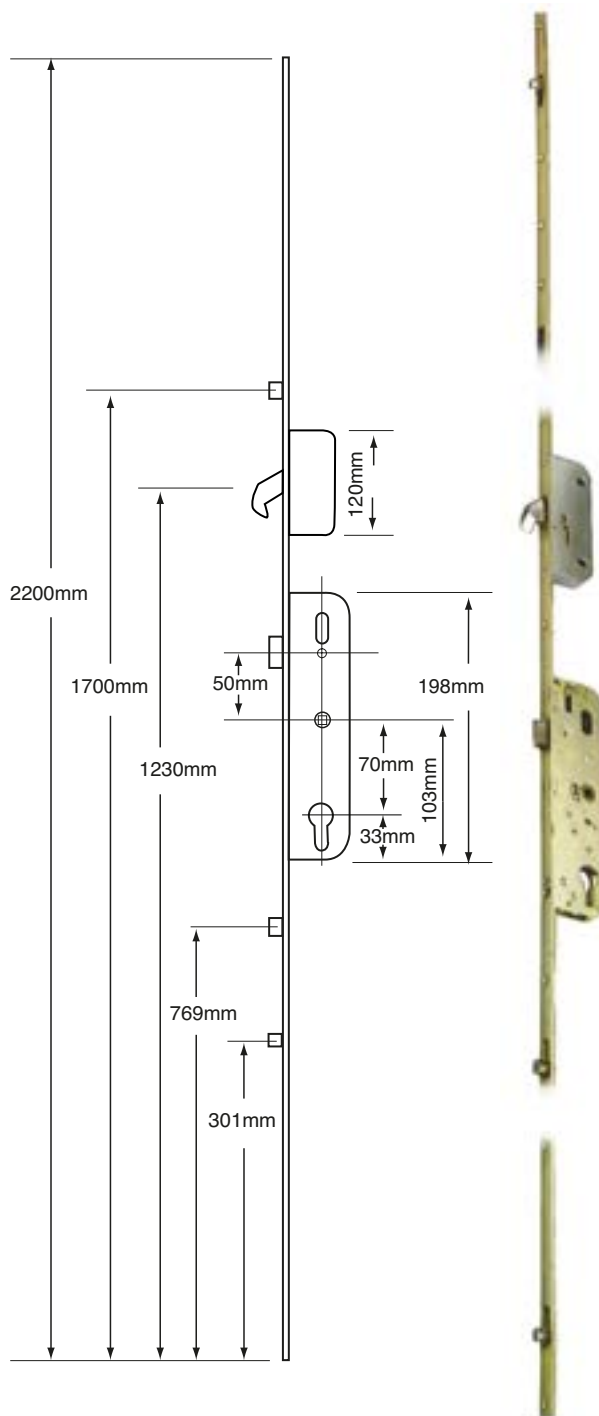
page  
515

### HOPPE UPVC Lever Door Furniture To Suit Ferco

L13087	Silver
L13088	White
L15455	Gold



page  
319



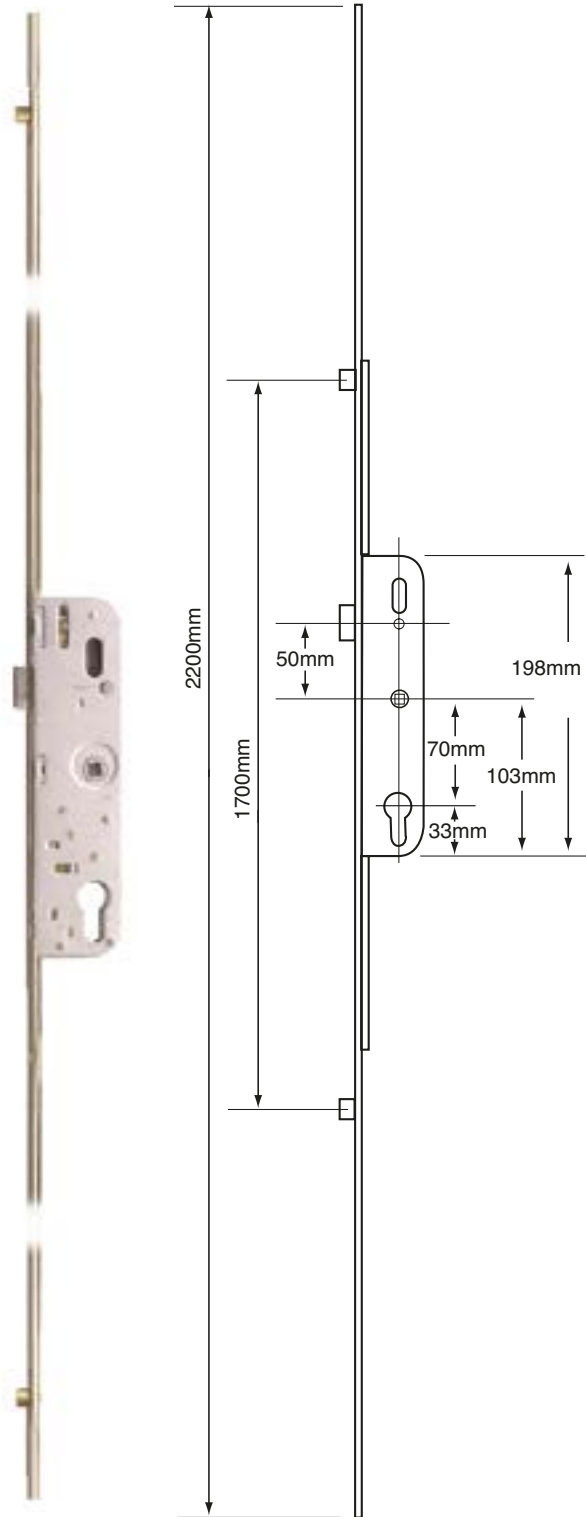
Product Code	Backset	Centres	Spindle	Centre Case	Mfr Ref.	Hooks	Rollers	Mushrooms
L20522	35mm	70mm	Single	Latch Only	1878022	1	1	2

# FERCO Lever Operated Latch Only - 2 Roller



70 28 35

**DISCONTINUED**



## Features

- Euro Profile Lock Case
- Latch Only
- Single Spindle
- 16mm Faceplate

## Operation

A - Lift lever to engage locking mechanisms and then one full turn of the cylinder to lock. One full turn of the key then push down on the lever to unlock.

## Notes

**Discontinued. Use CH10583 for the 28mm version and**

**CH10584 for the 35mm version.**

## Associated Products

### CHAMELEON Pro Adaptable Door Handle

CH30025	White
CH30026	Silver
CH30027	Polished Silver
CH30028	Gold
CH30068	Black



page  
312

### FERCO E11637-00-0-3 Roller Keep

L14405	Roller Keep
--------	-------------



page  
508

### FERCO E11639-00-0-3 Latch Keep

L14406	Latch Keep
--------	------------



page  
508

### HOPPE UPVC Lever Door Furniture To Suit Ferco

L13087	Silver
L13088	White
L15455	Gold



page  
319

Product Code	Backset	Centres	Spindle	Centre Case	Mfr Ref.	Rollers
L11761	28mm	70mm	Single	Latch Only	279122	2
L11762	35mm	70mm	Single	Latch Only	279222	2

# FERCO Lever Operated Latch Only - 2 Wedge Bolt

**DISCONTINUED**

70 40 50

**FERCO**  
INTERNATIONAL

## Features

- Euro Profile Lock Case
- Latch Only
- Single Spindle
- 20mm Faceplate

## Operation

A - Lift lever to engage locking mechanisms and then one full turn of the cylinder to lock. One full turn of the key then push down on the lever to unlock.

## Notes

**Discontinued. For 40mm use L15347 and for 50mm use L15348, new keys will be required for both. L20519 - 1690 between hooks.**

## Associated Products

### CHAMELEON Pro Adaptable Door Handle

CH30025	White
CH30026	Silver
CH30027	Polished Silver
CH30028	Gold
CH30068	Black



page  
312

### FERCO E11639-00-0-3 Latch Keep

L14406	Latch Keep
--------	------------



page  
508

### GU E11413 Timber Hook / Dead Keep

L15571	Timber Hook/ Dead Keep
--------	------------------------



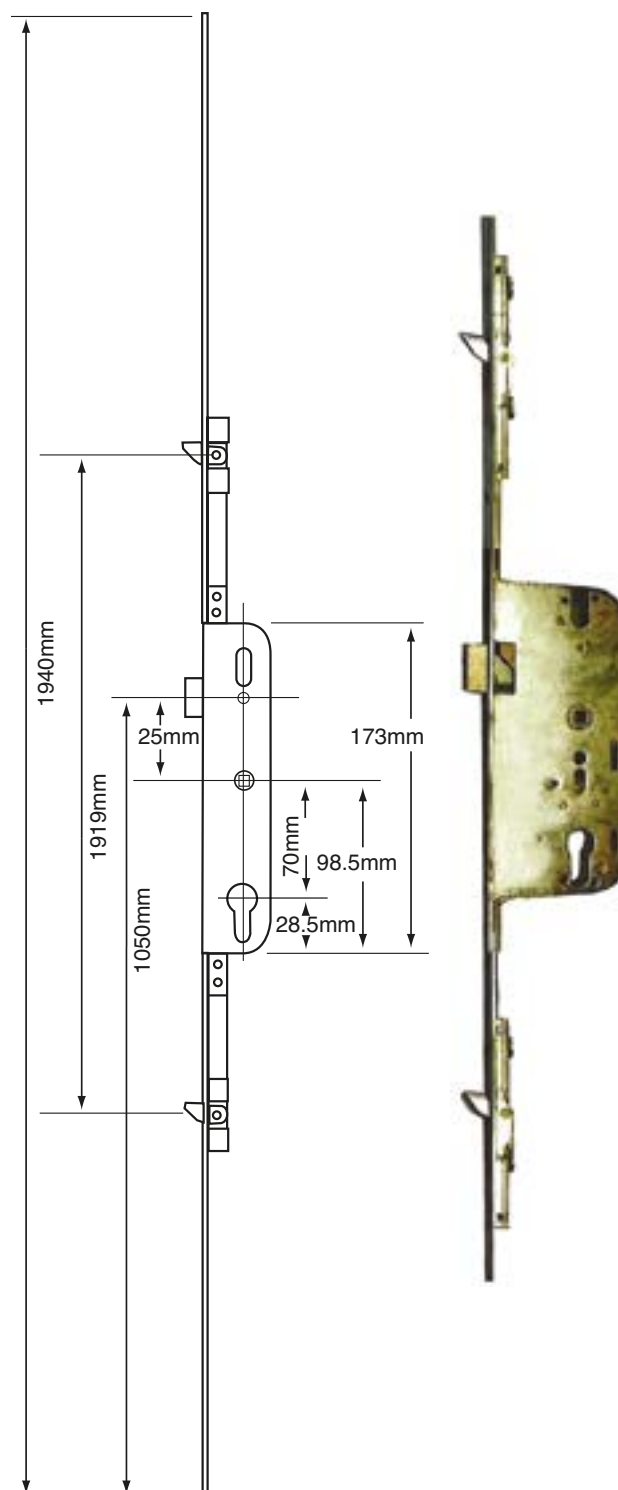
page  
515

### HOPPE UPVC Lever Door Furniture To Suit Ferco

L13087	Silver
L13088	White
L15455	Gold



page  
319

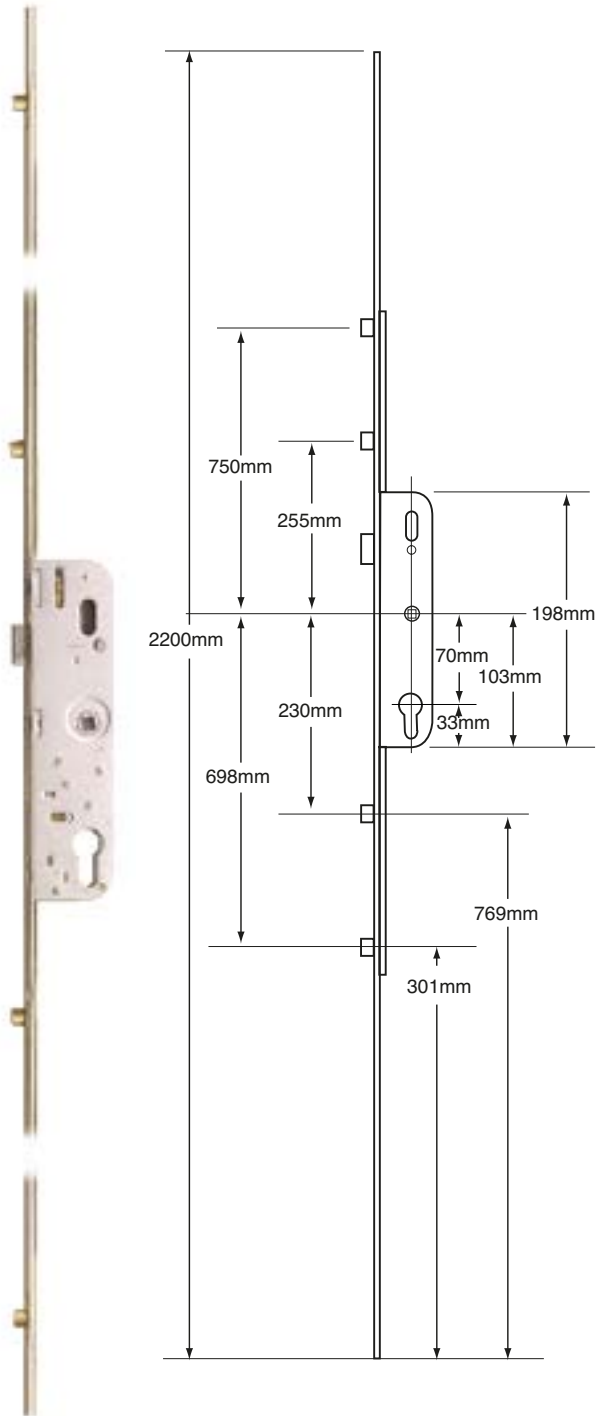


Product Code	Backset	Centres	Spindle	Centre Case	Mfr Ref.	Wedge Bolts
L20519	40mm	70mm	Single	Latch Only	1362319	2
L20521	50mm	70mm	Single	Latch Only	1199721	2

# FERCO Lever Operated Latch Only - 4 Roller



70 28 35



## Features

- Euro Profile Lock Case
- Latch Only
- Single Spindle
- 16mm Faceplate

## Operation

A - Lift lever to engage locking mechanisms and then one full turn of the cylinder to lock. One full turn of the key then push down on the lever to unlock.

## Associated Products

### CHAMELEON Pro Adaptable Door Handle

- CH30025 White
- CH30026 Silver
- CH30027 Polished Silver
- CH30028 Gold
- CH30068 Black



page  
312

### ASEC 70 Lever/Lever Door Furniture To Suit Ferco - 205mm Backplate

- AS10513 White
- AS10514 Gold
- AS10515 Chrome



page  
318

### FERCO E11637-00-0-3 Roller Keep

- L14405 Roller Keep



page  
508

### FERCO E11639-00-0-3 Latch Keep

- L14406 Latch Keep



page  
508

Product Code	Backset	Centres	Spindle	Centre Case	Mfr Ref.	Rollers
L11759	28mm	70mm	Single	Latch Only	G 22665 22 0 1	4
L11760	35mm	70mm	Single	Latch Only	G 13764 22 0 3	4

# FERCO Lever Operated Latch Only Attachment for Shoot Bolts

**DISCONTINUED**

70 28 35

**FERCO**  
INTERNATIONAL

## Features

- Euro Profile Lock Case
- Latch Only
- Single Spindle
- 20mm Faceplate

## Operation

A - Lift lever to engage locking mechanisms and then one full turn of the cylinder to lock. One full turn of the key then push down on the lever to unlock.

## Notes

Discontinued use L11759 28mm, L11760 35mm and make into 4 roller.

## Associated Products

### CHAMELEON Pro Adaptable Door Handle

CH30025	White
CH30026	Silver
CH30027	Polished Silver
CH30028	Gold
CH30068	Black



page  
312

### ASEC 70 Lever/Lever Door Furniture To Suit Ferco - 205mm Backplate

AS10513	White
AS10514	Gold
AS10515	Chrome



page  
318

### FERCO E11637-00-0-3 Roller Keep

L14405	Roller Keep
--------	-------------



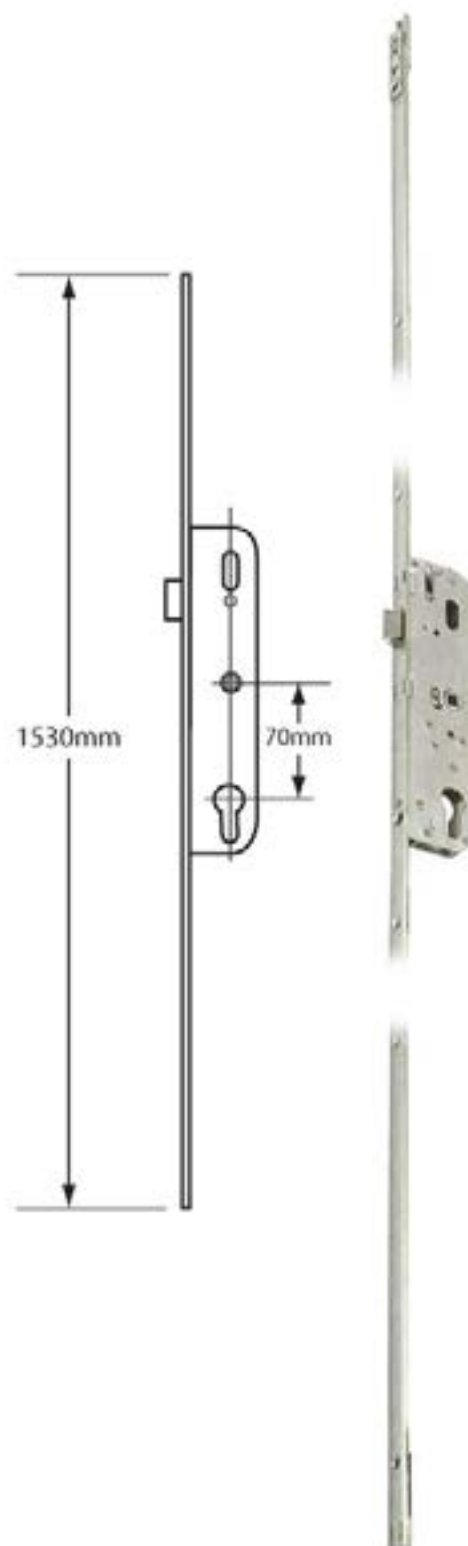
page  
508

### FERCO E11639-00-0-3 Latch Keep

L14406	Latch Keep
--------	------------



page  
508



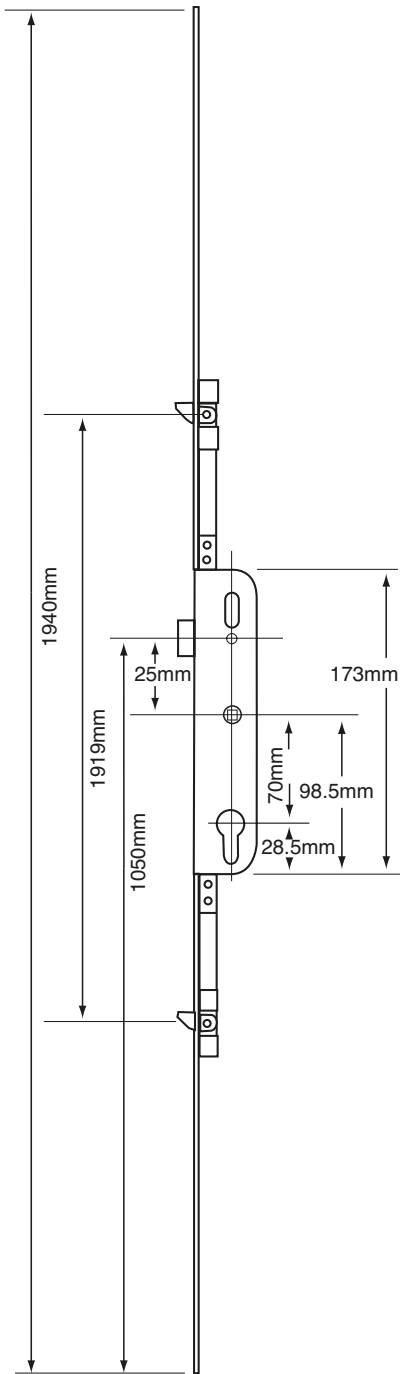
Product Code	Backset	Centres	Spindle	Centre Case	Mfr Ref.
L20517	28mm	70mm	Single	Latch Only	258215
L20518	35mm	70mm	Single	Latch Only	268215

# FERCO Lever Operated Latch Only Old Version - 2 Wedge Bolt



**DISCONTINUED**

Door



### Features

- Euro Profile Lock Case
- Latch Only
- Single Spindle
- 20mm Faceplate

### Operation

A - Lift lever to engage locking mechanisms and then one full turn of the cylinder to lock. One full turn of the key then push down on the lever to unlock.

### Notes

**Discontinued, use L15347, new keeps will be required.**

### Associated Products

#### CHAMELEON Pro Adaptable Door Handle

- CH30025 White
- CH30026 Silver
- CH30027 Polished Silver
- CH30028 Gold
- CH30068 Black



page 312

#### ASEC 70 Lever/Lever Door Furniture To Suit Ferco - 205mm Backplate

- AS10513 White
- AS10514 Gold
- AS10515 Chrome



page 318

#### FERCO E11637-00-0-3 Roller Keep

- L14405 Roller Keep



page 508

#### FERCO E11639-00-0-3 Latch Keep

- L14406 Latch Keep



page 508

Product Code	Backset	Centres	Spindle	Centre Case	Mfr Ref.	Wedge Bolts
L20520	40mm	70mm	Single	Latch Only	1199921	2

Full Units - FERCO

# FERCO Munster Joinery Lever Operated Latch Only - 1 Lower Deadbolt 2 Roller



## Features

- Euro Profile Lock Case
- Latch Only
- Single Spindle
- 16mm Faceplate
- Often used on Munster Joinery Doors

## Overview

The FERCO lever operated multipoint lock with 1 deadbolt and 2 roller bolts is usually used in Munster joinery applications.

## Operation

A - Lift lever to engage locking mechanisms and then one full turn of the cylinder to lock. One full turn of the key then push down on the lever to unlock.

## Associated Products

### CHAMELEON Pro Adaptable Door Handle

CH30025	White
CH30026	Silver
CH30027	Polished Silver
CH30028	Gold
CH30068	Black



page  
312

### ASEC 70 Lever/Lever Door Furniture To Suit Ferco - 205mm Backplate

AS10513	White
AS10514	Gold
AS10515	Chrome



page  
318

### FERCO E11637-00-0-3 Roller Keep

L14405	Roller Keep
--------	-------------



page  
508

### FERCO E11639-00-0-3 Latch Keep

L14406	Latch Keep
--------	------------



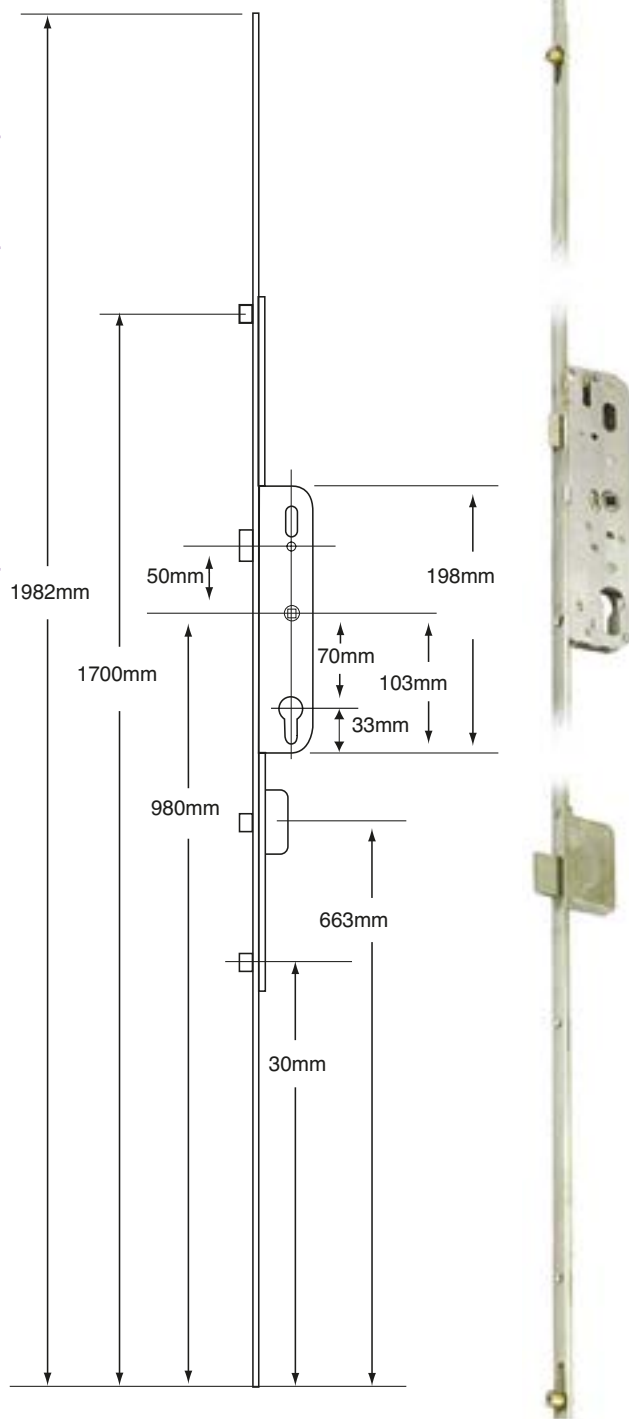
page  
508

### GU Deadbolt Keep

L15386	Deadbolt Keep
--------	---------------



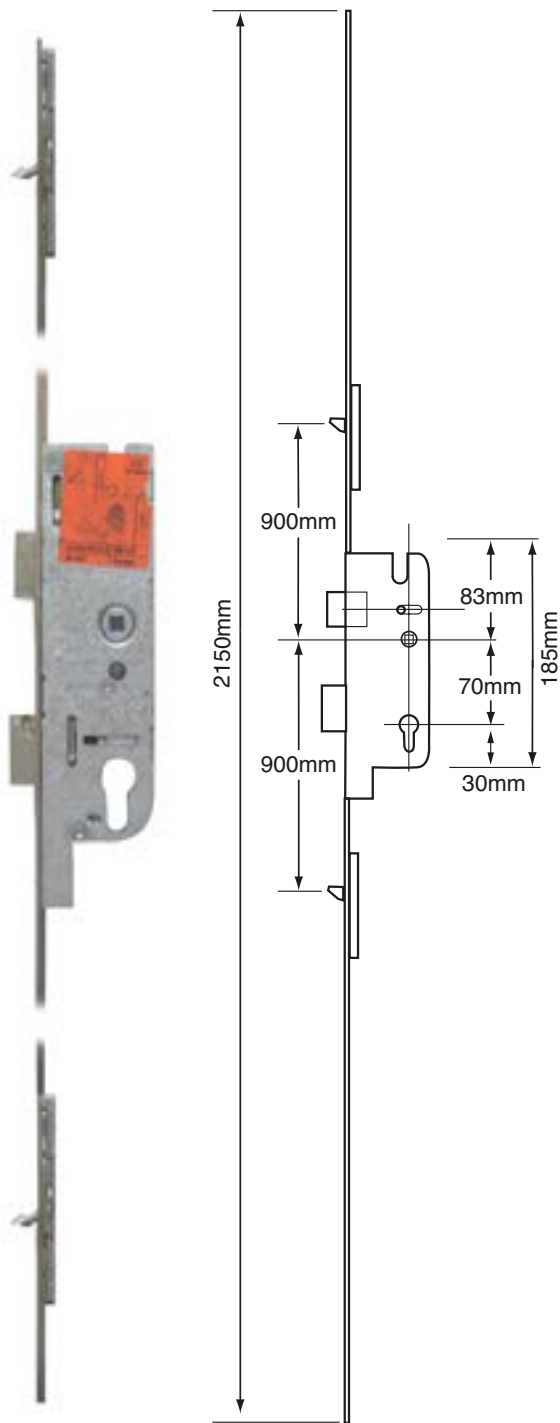
page  
454



Product Code	Backset	Centres	Spindle	Centre Case	Mfr Ref.	Deadbolts	Rollers
L20523	35mm	70mm	Single	Latch Only	G227621 99 00	1	2



# FERCO Tripact Lever Operated Latch & Deadbolt 20mm Faceplate - 2 Small Hook



## Features

- Euro Profile Lock Case
- Latch & Deadbolt
- Single Spindle
- 20mm Faceplate

## Operation

A - Lift lever to engage locking mechanisms and then one full turn of the cylinder to lock. One full turn of the key then push down on the lever to unlock.

## Associated Products

### CHAMELEON Pro Adaptable Door Handle

- CH30025 White
- CH30026 Silver
- CH30027 Polished Silver
- CH30028 Gold
- CH30068 Black



page 312

### ASEC 70 Lever/Lever Door Furniture To Suit Ferco - 205mm Backplate

- AS10513 White
- AS10514 Gold
- AS10515 Chrome



page 318

### GU E11413 Timber Hook / Dead Keep

- L15571 Timber Hook/ Dead Keep



page 515

### GU E13338 Timber Centre Keep

- L15572 Timber Centre Keep



page 500

Product Code	Backset	Centres	Spindle	Centre Case	Mfr Ref.	Hooks
L15347	40mm	70mm	Single	Latch & Deadbolt	6 33524 04 01	2
L15348	50mm	70mm	Single	Latch & Deadbolt	6 33524 05 01	2

# FERCO Automatic Latch & Deadbolt - 2 Roller



## Features

- Euro Profile Lock Case
- Latch & Deadbolt
- Single Spindle
- 16mm Faceplate

## Overview

Engages the locking points automatically every time the door is shut.

## Operation

A - Lift lever to engage locking mechanisms and then one full turn of the cylinder to lock. One full turn of the key then push down on the lever to unlock.

## Notes

Available to order through our Specials Department.

## Associated Products

### CHAMELEON Pro Adaptable Door Handle

CH30025	White
CH30026	Silver
CH30027	Polished Silver
CH30028	Gold
CH30068	Black



page  
312

### ASEC 70 Lever/Lever Door Furniture To Suit Ferco - 205mm Backplate

AS10513	White
AS10514	Gold
AS10515	Chrome



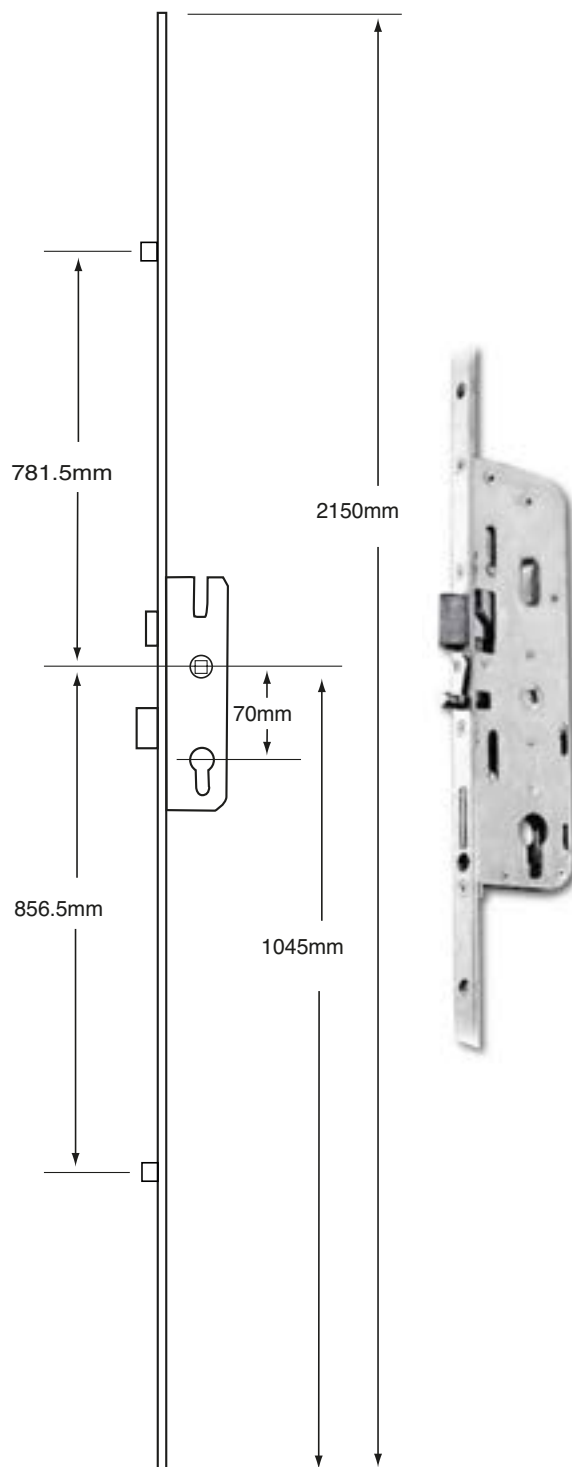
page  
318

### FERCO E11637-00-0-3 Roller Keep

L14405	Roller Keep
--------	-------------



page  
508

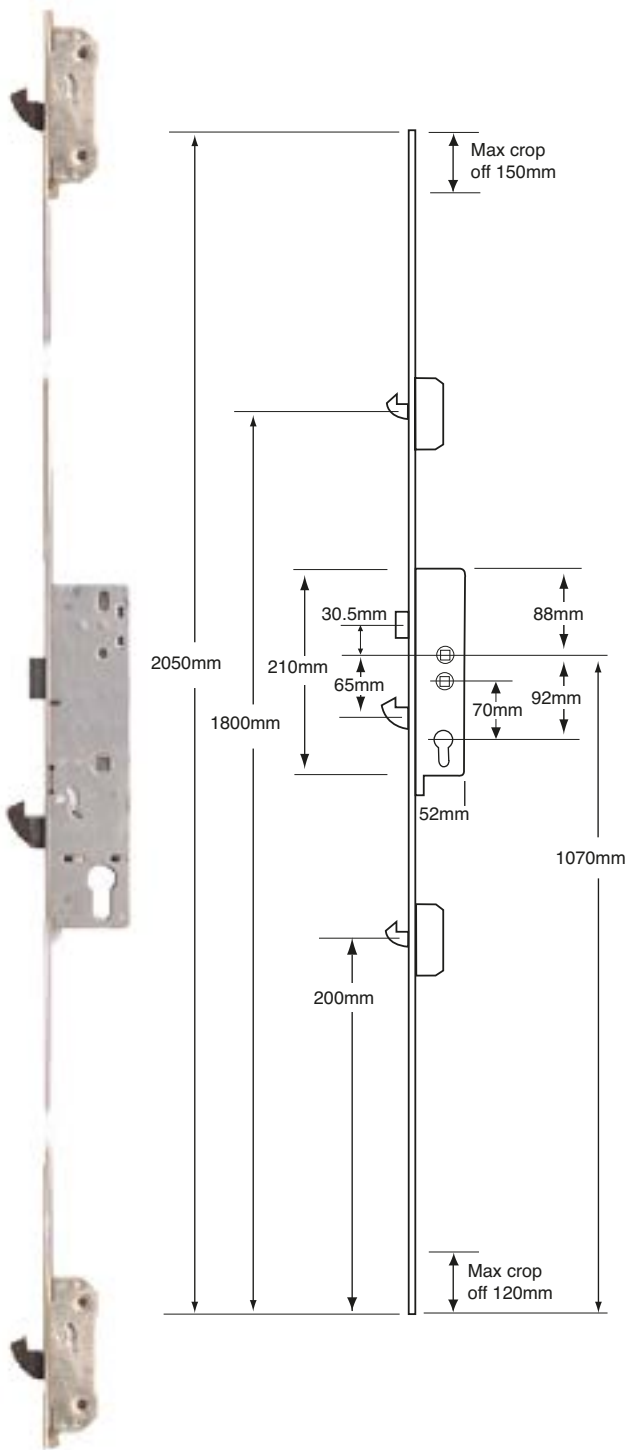


Product Code	Backset	Centres	Spindle	Centre Case	Mfr Ref.	Rollers
L20524	40mm	70mm	Single	Latch & Deadbolt	6 33164 11 01	2
L20525	50mm	70mm	Single	Latch & Deadbolt	6 33164 12 01	2

# FIX ASGARD Lever Operated Twin Spindle Latch & Hook Bolt - 2 Hook



Door



## Features

- Euro Profile Lock Case
- Latch & Deadbolt
- Twin Spindle
- 20mm Faceplate

## Operation

A - Lift lever to engage locking mechanisms and then one full turn of the cylinder to lock. One full turn of the key then push down on the lever to unlock.

## Gearbox

### ASGARD Lever Operated Twin Spindle Latch & Hookbolt Gearbox

L21822	35/92-70
L24532	45/92-70
L26466	55/92-70



page 37

## Associated Products

### CHAMELEON Pro Adaptable Door Handle

CH30025	White
CH30026	Silver
CH30027	Polished Silver
CH30028	Gold
CH30068	Black



page 312

### GU 6-3001400 Centre Keep

L12049	LH
L12050	RH



page 453

### GU Hook Bolt Keep

L15385	Hook Bolt Keep
--------	----------------



page 516

### HOPPE UPVC Lever Door Furniture

L15456	Silver
L15457	Gold
L15458	White



page 337

Product Code	Backset	Centres	Spindle	Centre Case	Mfr Ref.	Hooks
L15344	35mm	92/70mm	Twin	Latch & Hook Bolt	Y21652093	2



Full Units -

# FIX 2025 Lever Operated 105PZ Latch & Deadbolt Scandinavian Cylinder - 2 Deadbolt

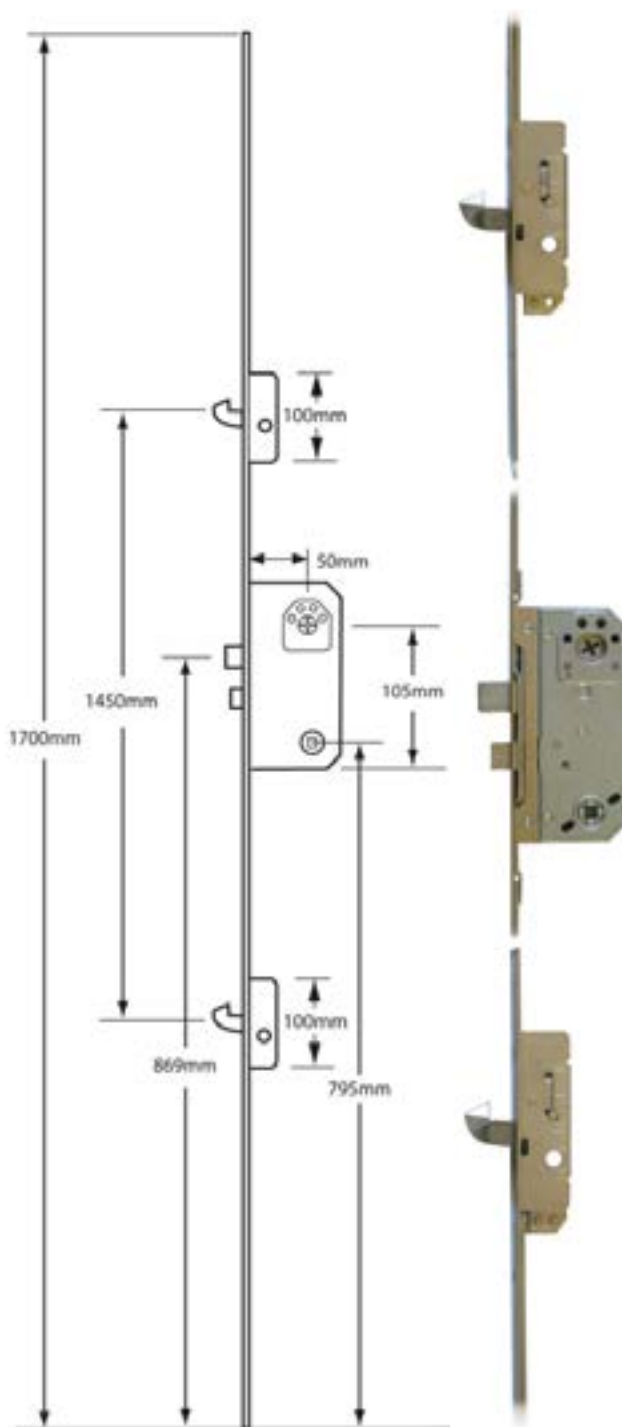


## Features

- Scandinavian Profile Lock Case
- Latch & Deadbolt
- 25mm Faceplate

## Operation

A - Lift lever to engage locking mechanisms and then one full turn of the cylinder to lock. One full turn of the key then push down on the lever to unlock.



Left hand L18351

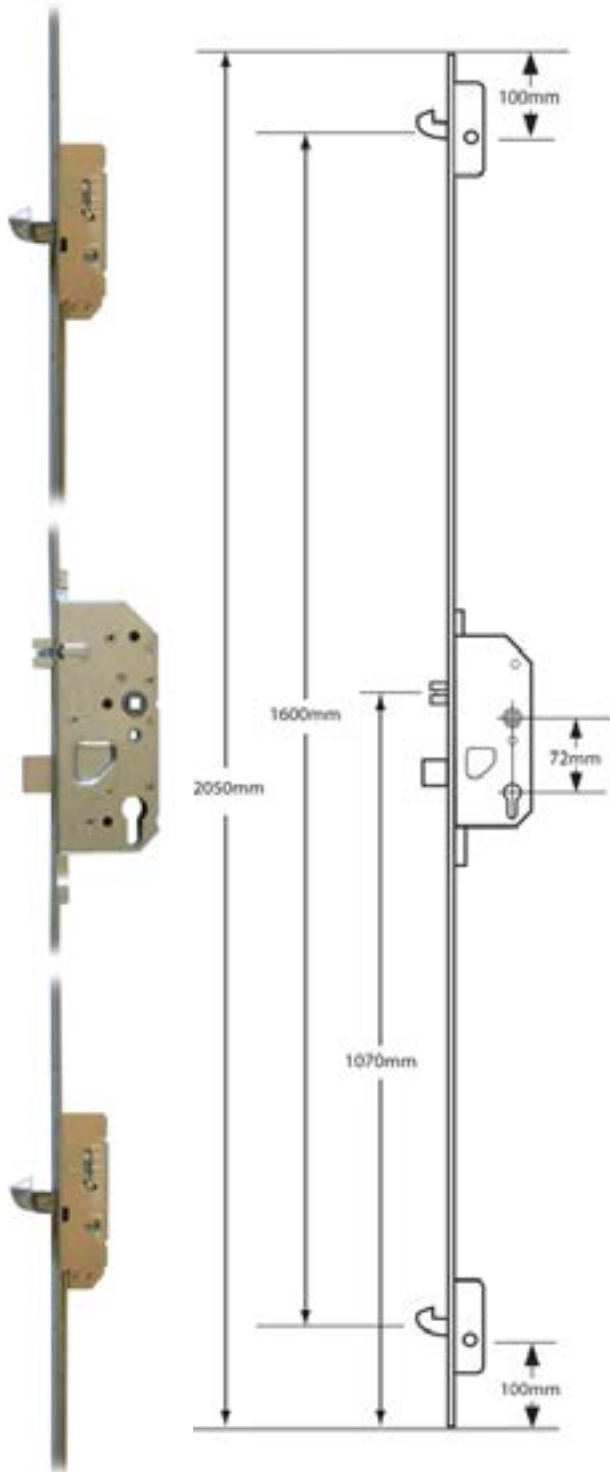
Right hand L18352

Product Code	Backset	Centres	Spindle	Centre Case	Mfr Ref.	Deadbolts	Handed
L18351	50mm	105mm	Single	Latch & Deadbolt	Y2025V170	2	Left Hand
L18352	50mm	105mm	Single	Latch & Deadbolt	Y2025H170	2	Right Hand

# FIX 6025H Lever Operated Latch & Deadbolt - 2 Hook



Door



## Features

- Euro Profile Lock Case
- Latch & Deadbolt
- Single Spindle
- 25mm Faceplate
- 72mm Centres

## Operation

A - Lift lever to engage locking mechanisms and then one full turn of the cylinder to lock. One full turn of the key then push down on the lever to unlock.

Left hand L18354



Right hand L18353



## Associated Products

### CHAMELEON Pro Adaptable Door Handle

- CH30025 White
- CH30026 Silver
- CH30027 Polished Silver
- CH30028 Gold
- CH30068 Black



page 312

Product Code	Backset	Centres	Spindle	Centre Case	Mfr Ref.	Hooks	Handed
L18354	55mm	72mm	Single	Latch & Deadbolt	Y6025V200	2	Left Hand
L18353	55mm	72mm	Single	Latch & Deadbolt	Y6025H200	2	Right Hand



Full Units -

# FUHR 855 Key Operated Latch & Deadbolt - 4 Roller

92

35

FUHR

## Features

- Euro Profile Lock Case
- Latch & Deadbolt
- Key Wind
- 16mm Faceplate

## Operation

C - Two full turns of the key to lock and then Two full turns of the key to unlock, an extra turn withdraws the latch.

## Associated Products

### CHAMELEON Pro Adaptable Door Handle

CH30025	White
CH30026	Silver
CH30027	Polished Silver
CH30028	Gold
CH30068	Black

page  
312

### ASEC 92 Lever/Lever UPVC Furniture - 220mm Backplate

L18404	Black
L18405	Chrome
L18406	Gold
L18407	White

page  
322

### FUHR Centre Keep

L15567	LH
L15566	RH

page  
499

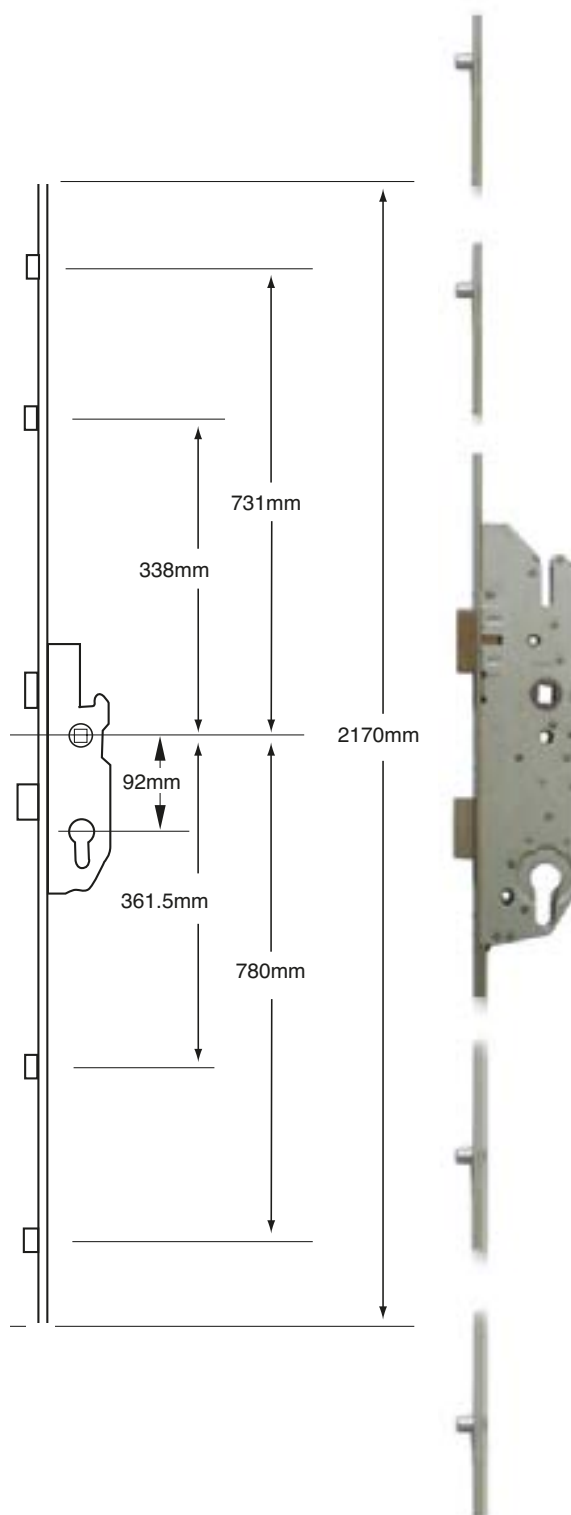
### GU 9-379860003 Roller Keep

L12051	Roller Keep
--------	-------------

page  
515

### GU Hook Bolt Keep

L15385	Hook Bolt Keep
--------	----------------

page  
516

Product Code	Backset	Centres	Spindle	Centre Case	Mfr Ref.	Rollers
L15596	35mm	92mm	Single	Latch & Deadbolt	855 Type 1	4

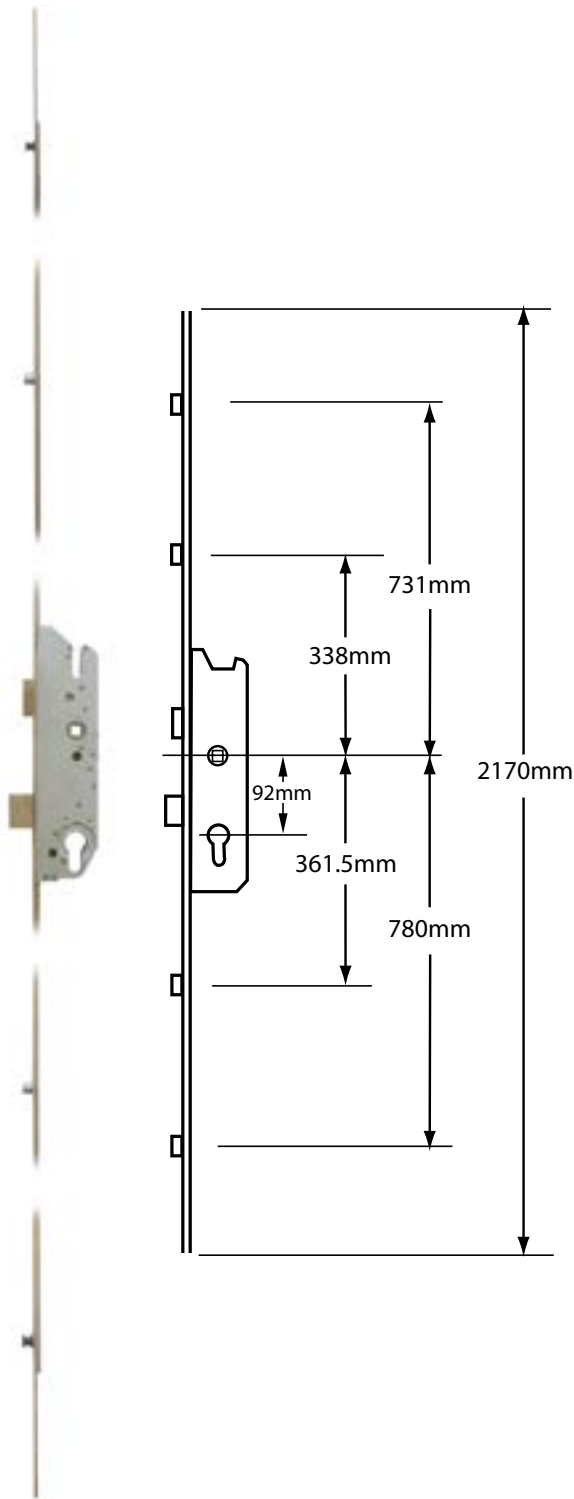
# FUHR 855 Type 2 Key Wind Latch & Deadbolt - 2 Roller 2 Mushroom

FUHR

92

35

Door



## Features

- Euro Profile Lock Case
- Latch & Deadbolt
- Key Wind
- 16mm Faceplate

## Operation

C - Two full turns of the key to lock and then Two full turns of the key to unlock, an extra turn withdraws the latch.

## Associated Products

### CHAMELEON Pro Adaptable Door Handle

CH30025	White
CH30026	Silver
CH30027	Polished Silver
CH30028	Gold
CH30068	Black

page  
312

### ASEC 92 Lever/Lever UPVC Furniture - 220mm Backplate

L18404	Black
L18405	Chrome
L18406	Gold
L18407	White

page  
322

### FUHR Centre Keep

L15567	LH
L15566	RH

page  
499

### GU 9-379860003 Roller Keep

L12051	Roller Keep
--------	-------------

page  
515

Product Code	Backset	Centres	Spindle	Centre Case	Mfr Ref.	Mushrooms	Rollers
L18359	35mm	92mm	Single	Latch & Deadbolt	855 Type 2	2	2

FUHR

Full Units -

# FUHR 855 Type 3 Key Wind Latch & Deadbolt - 2 Hook 2 Roller

92

35

FUHR

## Features

- Euro Profile Lock Case
- Latch & Deadbolt
- Key Wind
- Single Spindle
- 16mm Faceplate

## Operation

C - Two full turns of the key to lock and then Two full turns of the key to unlock, an extra turn withdraws the latch.

## Associated Products

### CHAMELEON Pro Adaptable Door Handle

CH30025	White
CH30026	Silver
CH30027	Polished Silver
CH30028	Gold
CH30068	Black

page  
312

### ASEC 92 Lever/Lever UPVC Furniture - 220mm Backplate

L18404	Black
L18405	Chrome
L18406	Gold
L18407	White

page  
322

### FUHR Centre Keep

L15567	LH
L15566	RH

page  
499

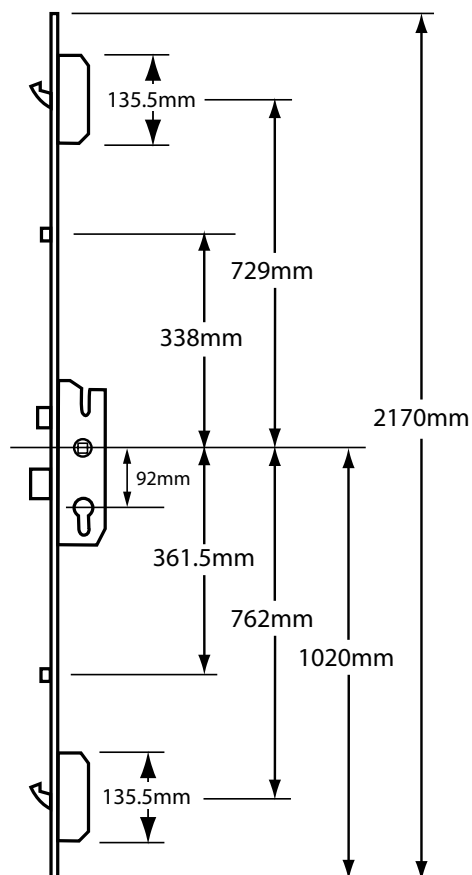
### GU 9-379860003 Roller Keep

L12051	Roller Keep
--------	-------------

page  
515

### GU Hook Bolt Keep

L15385	Hook Bolt Keep
--------	----------------

page  
516

Product Code	Backset	Centres	Spindle	Centre Case	Mfr Ref.	Hooks	Rollers
L18358	35mm	92mm	Single	Latch & Deadbolt	855 Type 3	2	2



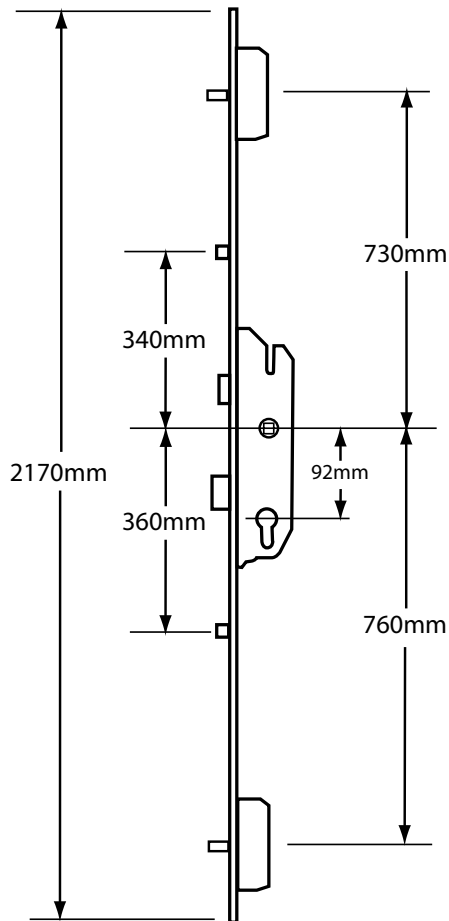
# FUHR 855 Type 8 Key Wind Latch & Deadbolt - 2 Roller 2 Pin

FUHR

92

35

Door



## Features

- Euro Profile Lock Case
- Latch & Deadbolt
- Key Wind
- Single Spindle
- 16mm Faceplate

## Operation

C - Two full turns of the key to lock and then Two full turns of the key to unlock, an extra turn withdraws the latch.

## Associated Products

### CHAMELEON Pro Adaptable Door Handle

CH30025	White
CH30026	Silver
CH30027	Polished Silver
CH30028	Gold
CH30068	Black

page  
312

### ASEC 92 Lever/Lever UPVC Furniture - 220mm Backplate

L18404	Black
L18405	Chrome
L18406	Gold
L18407	White

page  
322

### FUHR Centre Keep

L15567	LH
L15566	RH

page  
499

### GU 9-379860003 Roller Keep

L12051	Roller Keep
--------	-------------

page  
515

Product Code	Backset	Centres	Spindle	Centre Case	Mfr Ref.	Pins	Rollers
L18357	35mm	92mm	Single	Latch & Deadbolt	855 Type 8	2	2

FUHR

Full Units -

# FUHR 856 Type 4 Lever Operated Latch & Deadbolt - 4 Hook

92

35

FUHR

## Features

- Euro Profile Lock Case
- Latch & Deadbolt
- Single Spindle
- 16mm Faceplate

## Operation

A - Lift lever to engage locking mechanisms and then one full turn of the cylinder to lock. One full turn of the key then push down on the lever to unlock.

## Gearbox

### FUHR Lever Operated Latch & Deadbolt - Centre Case

L16219 35/92



page  
32

## Associated Products

### CHAMELEON Pro Adaptable Door Handle

CH30025 White  
CH30026 Silver  
CH30027 Polished Silver  
CH30028 Gold  
CH30068 Black



page  
312

### ASEC 92 Lever/Lever UPVC Furniture - 220mm Backplate

L18404 Black  
L18405 Chrome  
L18406 Gold  
L18407 White



page  
322

### FUHR Centre Keep

L15567 LH  
L15566 RH



page  
499

### GU 9-379860003 Roller Keep

L12051 Roller Keep



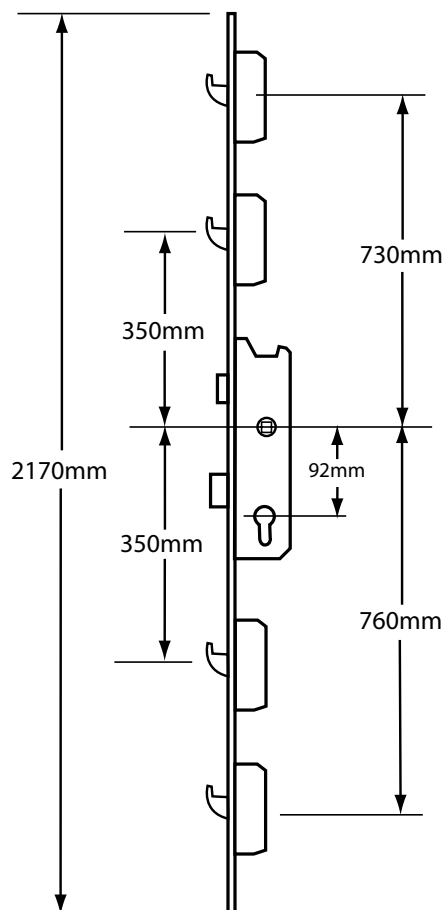
page  
515

### GU Hook Bolt Keep

L15385 Hook Bolt Keep



page  
516

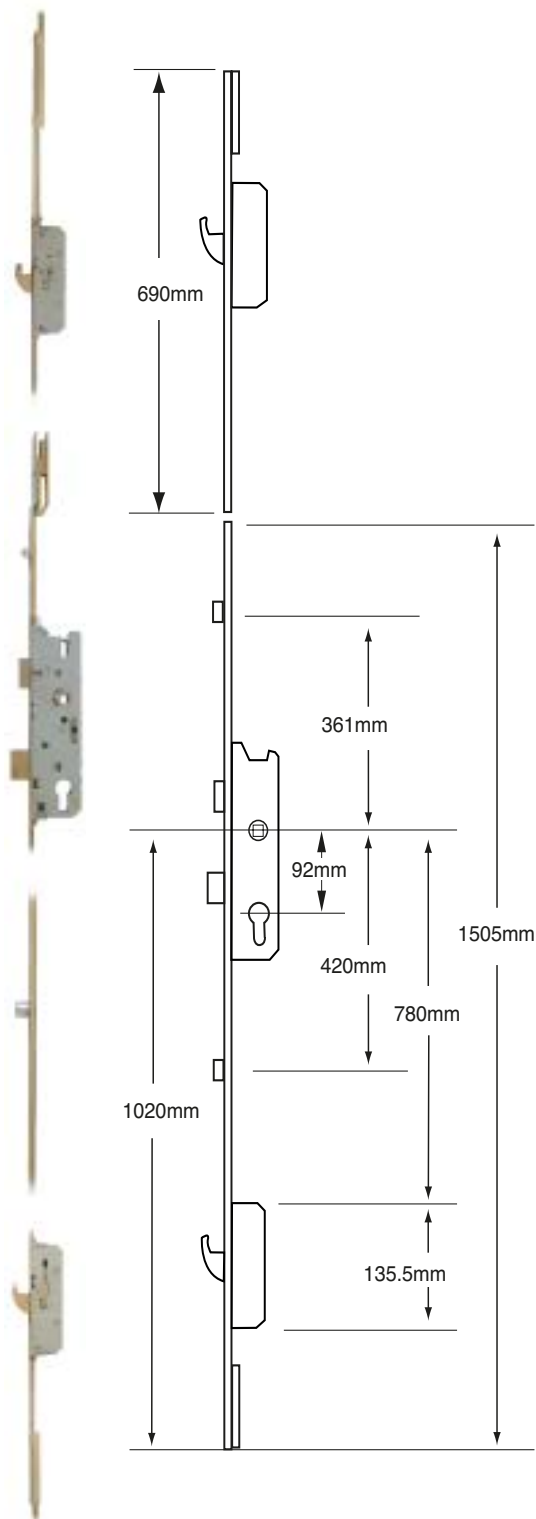


Product Code	Backset	Centres	Spindle	Centre Case	Mfr Ref.	Hooks
L18356	35mm	92mm	Single	Latch & Deadbolt	856 Type 3	2

# FUHR 856 Type 6 Lever Operated Latch & Deadbolt With Shoot Bolts - 2 Hook 2 Roller

**FUHR** 92 35

Door



## Features

- Euro Profile Lock Case
- Latch & Deadbolt
- Single Spindle
- 16mm Faceplate

## Operation

A - Lift lever to engage locking mechanisms and then one full turn of the cylinder to lock. One full turn of the key then push down on the lever to unlock.

## Gearbox

FUHR Lever Operated Latch & Deadbolt - Centre Case

L16219 35/92



page 32

## Associated Products

CHAMELEON Pro Adaptable Door Handle

- CH30025 White
- CH30026 Silver
- CH30027 Polished Silver
- CH30028 Gold
- CH30068 Black



page 312

FUHR Centre Keep

- L15567 LH
- L15566 RH



page 499

FUHR Lockcase Ball Bearing, Spring & Screw (Sold Separately)

- L23669 Spring
- L23670 Ballbearing
- L23671 Screw



page 556

GU 9-379860003 Roller Keep

- L12051 Roller Keep



page 515

GU Hook Bolt Keep

- L15385 Hook Bolt Keep



page 516

FUHR

Full Units -

Product Code	Backset	Centres	Spindle	Centre Case	Mfr Ref.	Hooks	Rollers
L18355	35mm	92mm	Single	Latch & Deadbolt	856 Type 6	2	2

# FUHR Key Operated Latch & Deadbolt - 2 Hook 2 Roller

**DISCONTINUED**

92

35

**FUHR**

## Features

- Euro Profile Lock Case
- Latch & Deadbolt
- Key Wind
- 16mm Faceplate

## Operation

C - Two full turns of the key to lock and then Two full turns of the key to unlock, an extra turn withdraws the latch.

## Notes

**This product has been discontinued by the manufacturer. Use alternative product CH10579.**

## Associated Products

### CHAMELEON Pro Adaptable Door Handle

CH30025	White
CH30026	Silver
CH30027	Polished Silver
CH30028	Gold
CH30068	Black



page  
312

### ASEC 92 Lever/Lever UPVC Furniture - 220mm Backplate

L18404	Black
L18405	Chrome
L18406	Gold
L18407	White



page  
322

### FUHR 56630013 Adjustable Hook Keep

L15568	Hook Keep
--------	-----------



page  
509

### FUHR Centre Keep

L15567	LH
L15566	RH



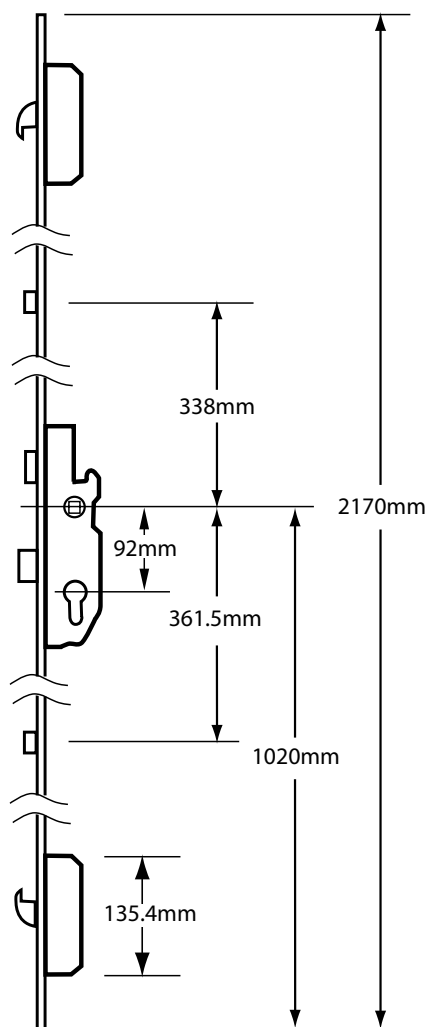
page  
499

### GU 9-379860003 Roller Keep

L12051	Roller Keep
--------	-------------



page  
515



Door

FUHR

Full Units -

Product Code	Backset	Centre Case	Centres	Hooks	Rollers	Mfr Ref.	Spindle
L15591	35mm	Latch & Deadbolt	92mm	2	2	855GL	Single

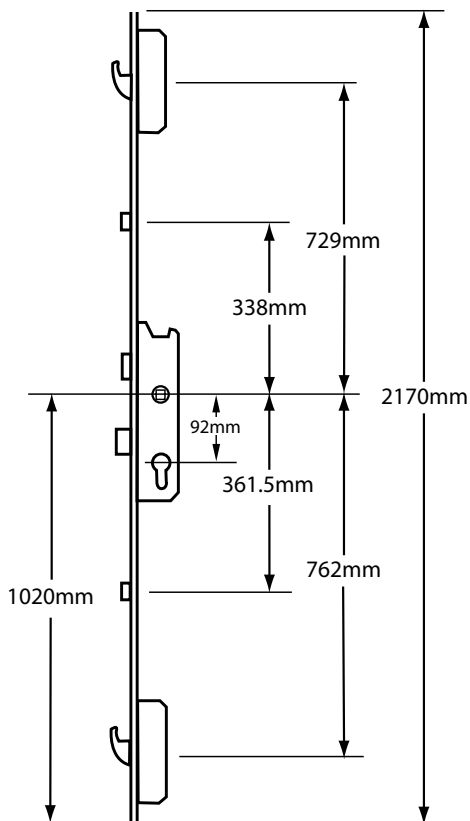
# FUHR Lever Operated Latch & Deadbolt - 2 Hook 2 Roller

FUHR

92

35

Door



## Features

- Euro Profile Lock Case
- Latch & Deadbolt
- Single Spindle
- 16mm Faceplate

## Operation

A - Lift lever to engage locking mechanisms and then one full turn of the cylinder to lock. One full turn of the key then push down on the lever to unlock.

## Gearbox

### FUHR Lever Operated Latch & Deadbolt - Centre Case

L16219 35/92

page  
32

## Associated Products

### CHAMELEON Pro Adaptable Door Handle

CH30025 White  
CH30026 Silver  
CH30027 Polished Silver  
CH30028 Gold  
CH30068 Black

page  
312

### ASEC 92 Lever/Lever UPVC Furniture - 220mm Backplate

L18404 Black  
L18405 Chrome  
L18406 Gold  
L18407 White

page  
322

### FUHR Centre Keep

L15567 LH  
L15566 RH

page  
499

### GU 9-379860003 Roller Keep

L12051 Roller Keep

page  
515

### GU Hook Bolt Keep

L15385 Hook Bolt Keep

page  
516

Product Code	Backset	Centres	Spindle	Centre Case	Mfr Ref.	Hooks	Rollers
L15595	35mm	92mm	Single	Latch & Deadbolt	856 Type 3	2	2

FUHR

Full Units -

# FUHR Lever Operated Latch & Deadbolt - 2 Round Bolt 2 Roller

92 30 35

FUHR

## Features

- Euro Profile Lock Case
- Latch & Deadbolt
- Single Spindle
- 16mm Faceplate

## Operation

A - Lift lever to engage locking mechanisms and then one full turn of the cylinder to lock. One full turn of the key then push down on the lever to unlock.

## Gearbox

### FUHR Lever Operated Latch & Deadbolt - Centre Case

L16218	30/92
L16219	35/92

page  
32

## Associated Products

### CHAMELEON Pro Adaptable Door Handle

CH30025	White
CH30026	Silver
CH30027	Polished Silver
CH30028	Gold
CH30068	Black

page  
312

### ASEC 92 Lever/Lever UPVC Furniture - 220mm Backplate

L18404	Black
L18405	Chrome
L18406	Gold
L18407	White

page  
322

### FUHR Centre Keep

L15567	LH
L15566	RH

page  
499

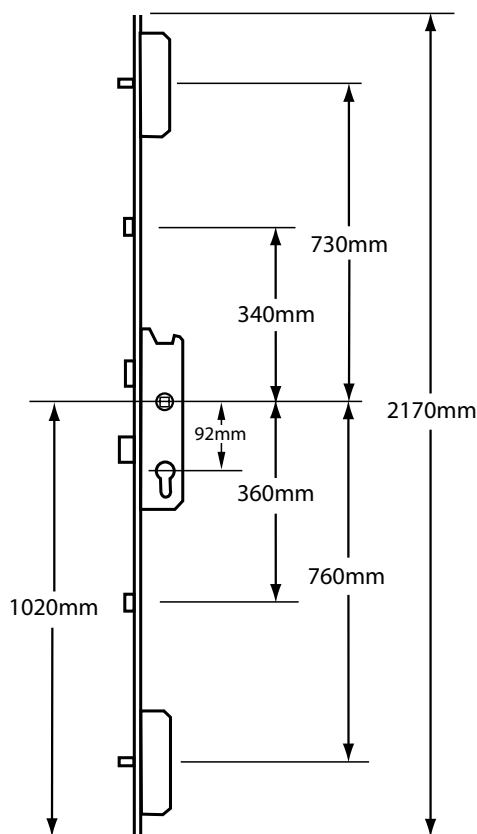
### GU 9-379860003 Roller Keep

L12051	Roller Keep
--------	-------------

page  
515

### GU Hook Bolt Keep

L15385	Hook Bolt Keep
--------	----------------

page  
516

Product Code	Backset	Centres	Spindle	Centre Case	Mfr Ref.	Pins	Rollers
L15600	30mm	92mm	Single	Latch & Deadbolt	856 Type 8-28	2	2
L15594	35mm	92mm	Single	Latch & Deadbolt	856 Type 8-35	2	2

# FUHR Lever Operated Latch & Deadbolt - 4 Roller

FUHR

92

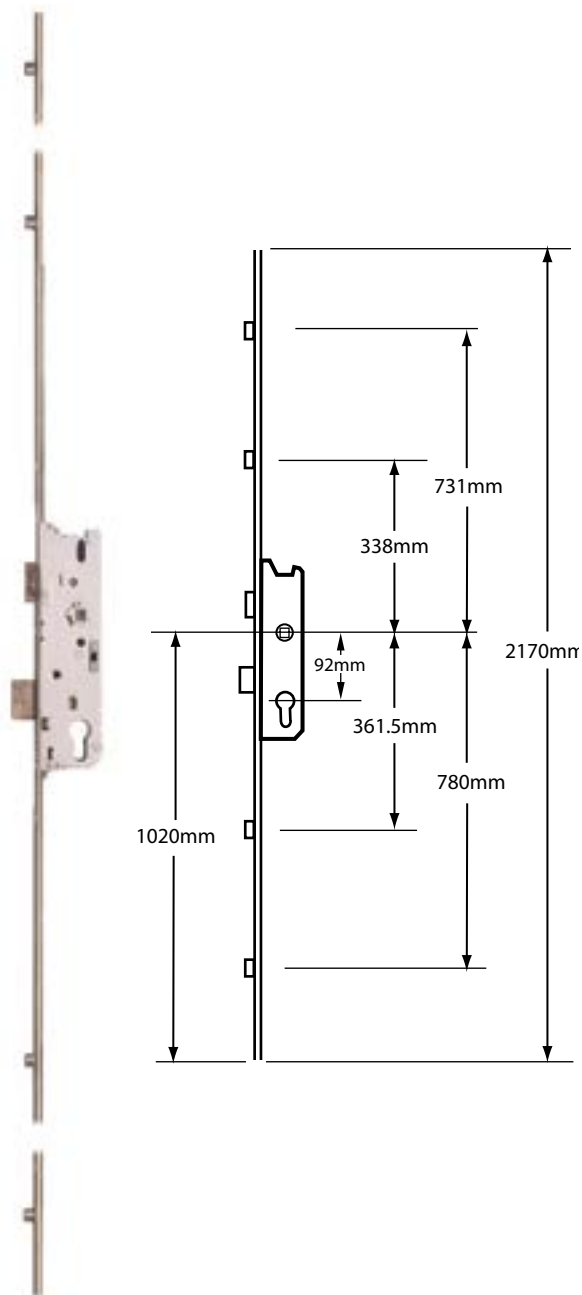
25

30

35

45

Door



## Features

- Euro Profile Lock Case
- Latch & Deadbolt
- Single Spindle
- 16mm Faceplate

## Operation

A - Lift lever to engage locking mechanisms and then one full turn of the cylinder to lock. One full turn of the key then push down on the lever to unlock.

## Gearbox

### FUHR Lever Operated Latch & Deadbolt - Centre Case

L16217	25/92
L16218	30/92
L16219	35/92
L16220	45/92

page  
32

## Associated Products

### CHAMELEON Pro Adaptable Door Handle

CH30025	White
CH30026	Silver
CH30027	Polished Silver
CH30028	Gold
CH30068	Black

page  
312

### ASEC 92 Lever/Lever UPVC Furniture - 220mm Backplate

L18404	Black
L18405	Chrome
L18406	Gold
L18407	White

page  
322

### FUHR Centre Keep

L15567	LH
L15566	RH

page  
499

### GU 9-379860003 Roller Keep

L12051	Roller Keep
--------	-------------

page  
515

Product Code	Backset	Centres	Spindle	Centre Case	Mfr Ref.	Rollers
L15597	25mm	92mm	Single	Latch & Deadbolt	856 Type 1-25	4
L15592	30mm	92mm	Single	Latch & Deadbolt	856 Type 1-30	4
L15598	35mm	92mm	Single	Latch & Deadbolt	856 Type 1-35	4
L15593	45mm	92mm	Single	Latch & Deadbolt	856 Type 1-45	4

FUHR

Full Units -

# FUHR Lever Operated Latch & Deadbolt Split Spindle - 2 Hook 2 Roller

92

35

FUHR

## Features

- Euro Profile Lock Case
- Latch & Deadbolt
- Split Spindle
- 16mm Faceplate

## Operation

A - Lift lever to engage locking mechanisms and then one full turn of the cylinder to lock. One full turn of the key then push down on the lever to unlock.

## Gearbox

FUHR Lever Operated Latch & Deadbolt  
Split Spindle - Centre Case

L21682 35/92



page  
32

## Associated Products

CHAMELEON Pro Adaptable Door Handle

CH30025 White  
CH30026 Silver  
CH30027 Polished Silver  
CH30028 Gold  
CH30068 Black



page  
312

ASEC 92 Lever/Lever UPVC Furniture -  
220mm Backplate

L18404 Black  
L18405 Chrome  
L18406 Gold  
L18407 White



page  
322

FUHR Centre Keep

L15567 LH  
L15566 RH



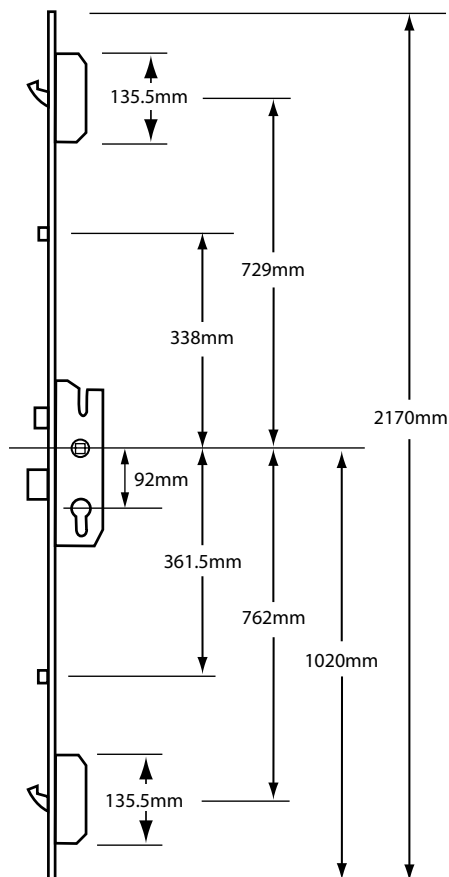
page  
499

GU 9-379860003 Roller Keep

L12051 Roller Keep



page  
515



Door

FUHR

Full Units -

Product Code	Backset	Centres	Spindle	Centre Case	Mfr Ref.	Hooks	Rollers
L18043	35mm	92mm	Split	Latch & Deadbolt	859	2	2



# FUHR Lever Operated Latch Only - 2 Roller & Attachment for Extension

FUHR

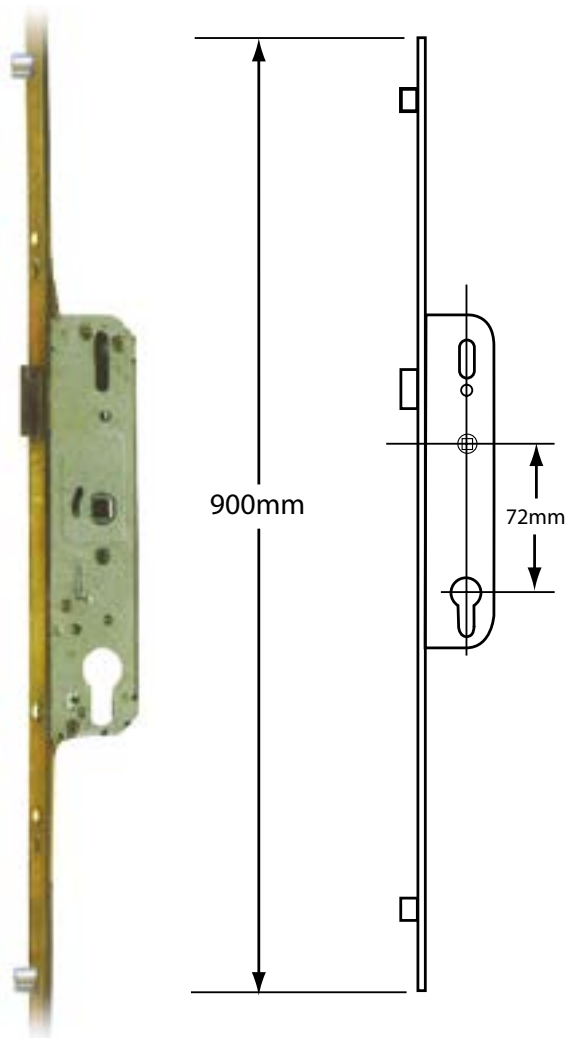
72

92

28

35

DISCONTINUED



## Features

- Euro Profile Lock Case
- Latch Only
- Single Spindle
- 16mm Faceplate

## Operation

A - Lift lever to engage locking mechanisms and then one full turn of the cylinder to lock. One full turn of the key then push down on the lever to unlock.

## Notes

**Discontinued product. Use CH10583 (28mm) or CH10584 (35mm).**

## Associated Products

### CHAMELEON Pro Adaptable Door Handle

CH30025	White
CH30026	Silver
CH30027	Polished Silver
CH30028	Gold
CH30068	Black

page  
312

### ASEC 92 Lever/Lever UPVC Furniture - 220mm Backplate

L18404	Black
L18405	Chrome
L18406	Gold
L18407	White

page  
322

### GU 9-379860003 Roller Keep

L12051	Roller Keep
--------	-------------

page  
515

Product Code	Backset	Centres	Spindle	Centre Case	Mfr Ref.	Rollers
L20536	28mm	72mm	Single	Latch Only	FU28722R	2
L20538	28mm	92mm	Single	Latch Only	FU289222	2
L20537	35mm	72mm	Single	Latch Only	FU35722R	2
L20539	35mm	92mm	Single	Latch Only	FU35922R	2

# FULLEX Crimebeater Lever Operated Latch & Deadbolt Twin Spindle - 2 Deadbolt

92 35 45 55

fullex

## Features

- Euro Profile Lock Case
- Latch & Deadbolt
- Twin Spindle
- 20mm Radius Faceplate

## Operation

A - Lift lever to engage locking mechanisms and then one full turn of the cylinder to lock. One full turn of the key then push down on the lever to unlock.

## Gearbox

FULLEX Crimebeater Lever Operated  
Latch & Deadbolt Twin Spindle Gearbox

L18286 45/92-62  
L18287 35/92-62



page  
33

## Associated Products

CHAMELEON Pro Adaptable Door Handle

CH30025 White  
CH30026 Silver  
CH30027 Polished Silver  
CH30028 Gold  
CH30068 Black



page  
312

ASEC 92 Lever/Lever UPVC Furniture -  
240mm Backplate

L18398 Chrome  
L18399 Gold  
L18400 White



page  
323

GU 6-3001400 Centre Keep

L12049 LH  
L12050 RH



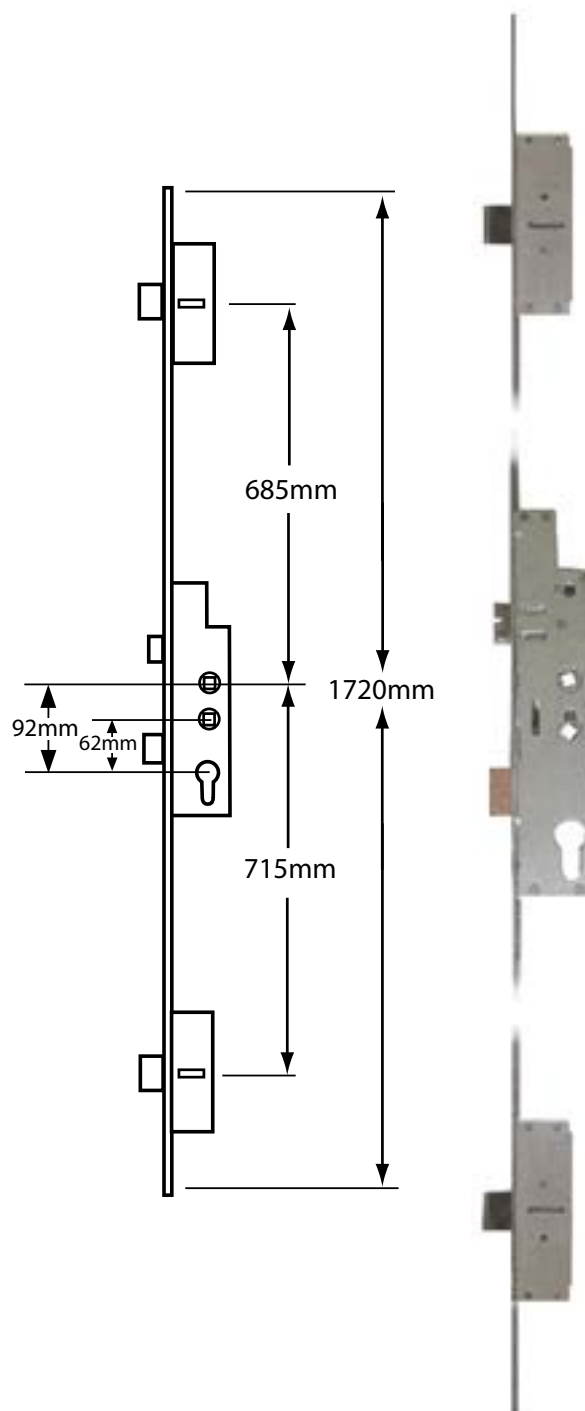
page  
453

GU Deadbolt Keep

L15386 Deadbolt Keep



page  
454

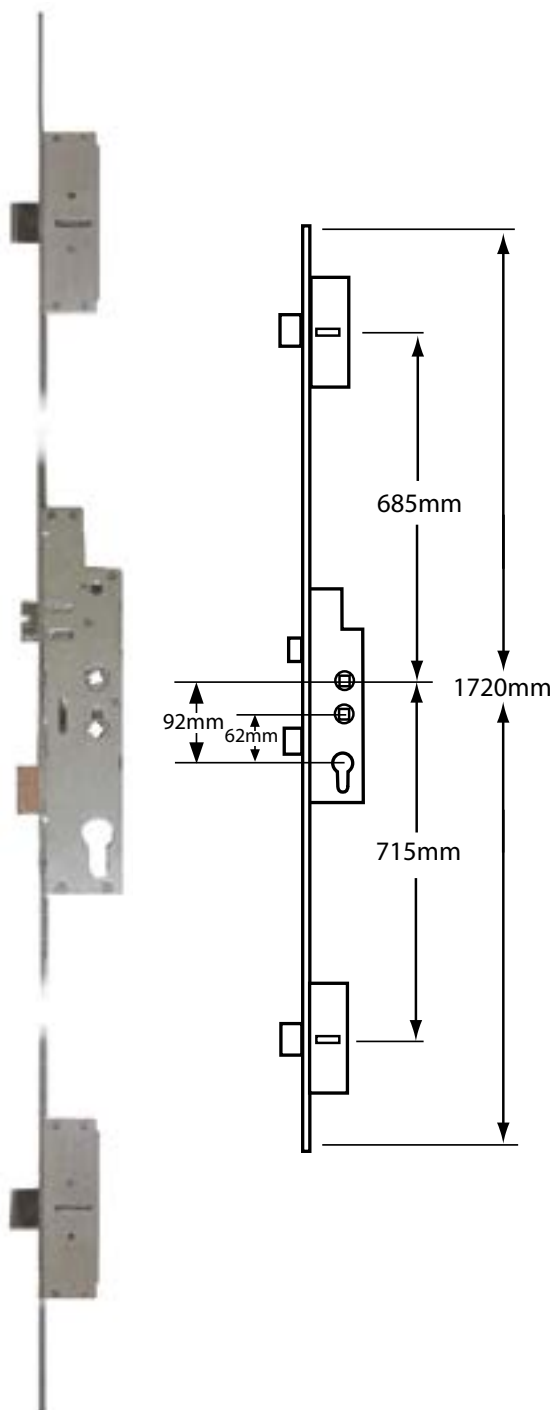


Product Code	Backset	Centres	Spindle	Centre Case	Mfr Ref.	Deadbolts
L17405	35mm	92/62mm	Twin	Latch & Deadbolt	CRB0001	2
L17407	45mm	92/62mm	Twin	Latch & Deadbolt	CRB0002	2
L17409	55mm	92/62mm	Twin	Latch & Deadbolt	CRB0003	2

# FULLEX Crimebeater 44mm Lever Operated Latch & Deadbolt Twin Spindle - 2 Deadbolt

fullex 92 35 45  
62

Door



## Features

- Euro Profile Lock Case
- Latch & Deadbolt
- Twin Spindle
- 44mm Faceplate

## Overview

The Fullex Crimebeater range of multi-point locks is designed to provide long term reliability and security. This latch & deadbolt centre case with two deadbolts has been UKAS tested to PAS24 standard and licensed to the Police approved Secured by Design standard.

## Operation

A - Lift lever to engage locking mechanisms and then one full turn of the cylinder to lock. One full turn of the key then push down on the lever to unlock.

## Gearbox

### FULLEX Crimebeater Lever Operated Latch & Deadbolt Twin Spindle Gearbox

L18286 45/92-62  
L18287 35/92-62



page  
33

## Associated Products

### CHAMELEON Pro Adaptable Door Handle

CH30025 White  
CH30026 Silver  
CH30027 Polished Silver  
CH30028 Gold  
CH30068 Black



page  
312

### ASEC 92 Lever/Lever UPVC Furniture - 240mm Backplate

L18398 Chrome  
L18399 Gold  
L18400 White



page  
323

### GU 6-3001400 Centre Keep

L12049 LH  
L12050 RH



page  
453

### GU Deadbolt Keep

L15386 Deadbolt Keep



page  
454

Product Code	Backset	Centres	Spindle	Centre Case	Mfr Ref.	Deadbolts
L25242	35mm	92/62mm	Twin	Latch & Deadbolt	CRB0027	2
L25243	45mm	92/62mm	Twin	Latch & Deadbolt	CRB0028	2

# FULLEX Crimebeater Lever Operated Latch & Deadbolt Twin Spindle - 2 Hook

92 35 45 55

fullex

## Features

- Euro Profile Lock Case
- Latch & Deadbolt
- Twin Spindle
- 20mm Faceplate

## Operation

A - Lift lever to engage locking mechanisms and then one full turn of the cylinder to lock. One full turn of the key then push down on the lever to unlock.

## Gearbox

### FULLEX Crimebeater Lever Operated Latch & Deadbolt Twin Spindle Gearbox

L18286 45/92-62  
L18287 35/92-62



page  
33

## Associated Products

### CHAMELEON Pro Adaptable Door Handle

CH30025 White  
CH30026 Silver  
CH30027 Polished Silver  
CH30028 Gold  
CH30068 Black



page  
312

### ASEC 92 Lever/Lever UPVC Furniture - 240mm Backplate

L18398 Chrome  
L18399 Gold  
L18400 White



page  
323

### GU 6-3001400 Centre Keep

L12049 LH  
L12050 RH



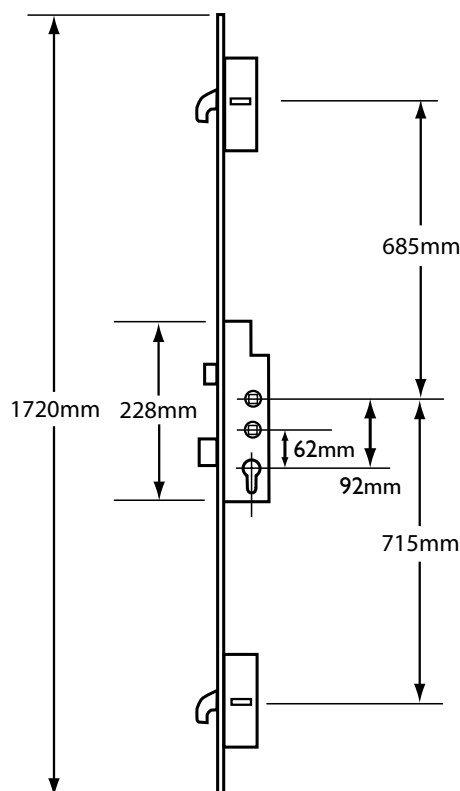
page  
453

### GU Hook Bolt Keep

L15385 Hook Bolt Keep



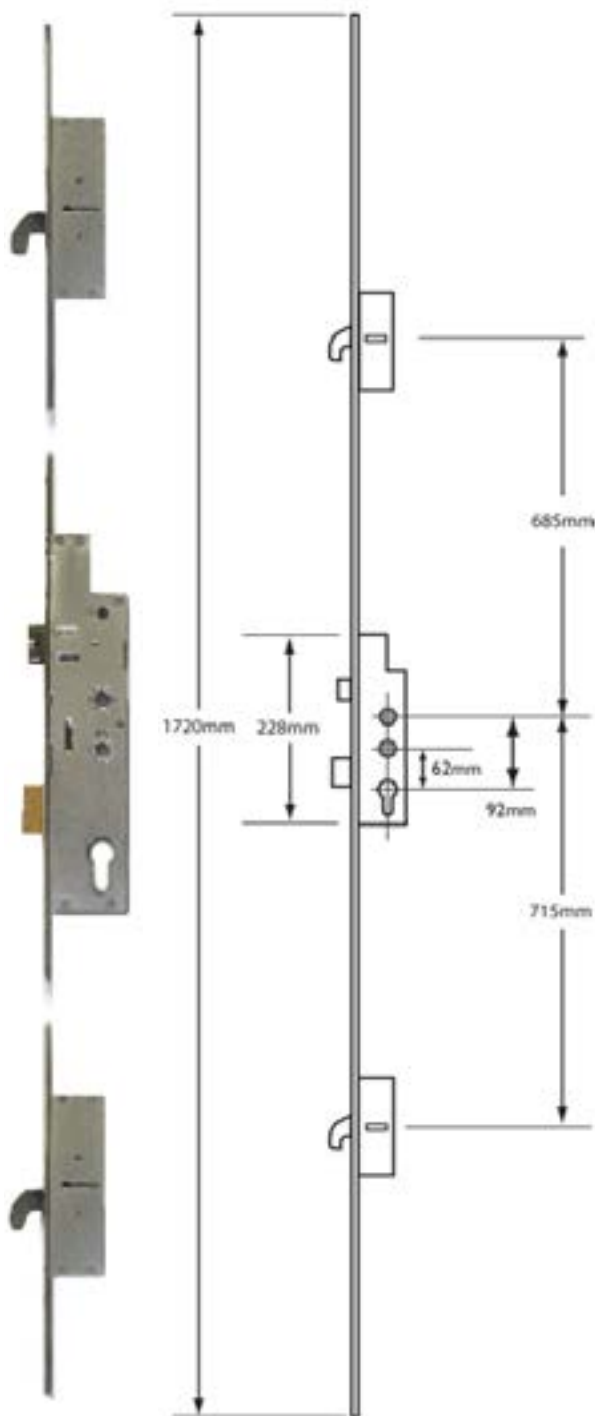
page  
516



Product Code	Backset	Centres	Spindle	Centre Case	Mfr Ref.	Hooks
L17404	35mm	92/62mm	Twin	Latch & Deadbolt	CRB0004	2
L17406	45mm	92/62mm	Twin	Latch & Deadbolt	CRB0005	2
L17408	55mm	92/62mm	Twin	Latch & Deadbolt	CRB0006	2

# FULLEX Crimebeater 44mm Lever Operated Latch & Deadbolt Twin Spindle - 2 Hook

fullex— 92/62 35 45



## Features

- Euro Profile Lock Case
- Latch & Deadbolt
- Twin Spindle
- 44mm Faceplate

## Overview

The Fullex Crimebeater range of multi-point locks is designed to provide long term reliability and security. This latch & deadbolt centre case with two hooks has been UKAS tested to PAS24 standard and licensed to the Police approved Secured by Design standard.

## Operation

A - Lift lever to engage locking mechanisms and then one full turn of the cylinder to lock. One full turn of the key then push down on the lever to unlock.

## Gearbox

### FULLEX Crimebeater Lever Operated Latch & Deadbolt Twin Spindle Gearbox

L18286	45/92-62
L18287	35/92-62



page  
33

## Associated Products

### CHAMELEON Pro Adaptable Door Handle

CH30025	White
CH30026	Silver
CH30027	Polished Silver
CH30028	Gold
CH30068	Black



page  
312

### ASEC 92 Lever/Lever UPVC Furniture - 240mm Backplate

L18398	Chrome
L18399	Gold
L18400	White



page  
323

### GU 6-3001400 Centre Keep

L12049	LH
L12050	RH



page  
453

### GU Deadbolt Keep

L15386	Deadbolt Keep
--------	---------------



page  
454

Product Code	Backset	Centres	Spindle	Centre Case	Mfr Ref.	Hooks
L25244	35mm	92/62mm	Twin	Latch & Deadbolt	CRB0030	2
L25245	45mm	92/62mm	Twin	Latch & Deadbolt	CRB0031	2

# FULLEX XL Crimebeater 44mm Lever Operated Latch & Deadbolt Twin Spindle - 2 Hook



## Features

- Euro Profile Lock Case
- Latch & Deadbolt
- Twin Spindle
- 44mm Faceplate

## Overview

The Fullex XL Crimebeater range of multi-point locks is designed to provide long term reliability and security. This latch & deadbolt centre case with two hooks has been UKAS tested to PAS24 standard and licensed to the Police approved Secur

## Operation

A - Lift lever to engage locking mechanisms and then one full turn of the cylinder to lock. One full turn of the key then push down on the lever to unlock.

## Gearbox

FULLEX Crimebeater Lever Operated Latch & Deadbolt Twin Spindle Gearbox

- L18286 45/92-62
- L18287 35/92-62



## Associated Products

CHAMELEON Pro Adaptable Door Handle

- CH30025 White
- CH30026 Silver
- CH30027 Polished Silver
- CH30028 Gold
- CH30068 Black



ASEC 92 Lever/Lever UPVC Furniture - 240mm Backplate

- L18398 Chrome
- L18399 Gold
- L18400 White



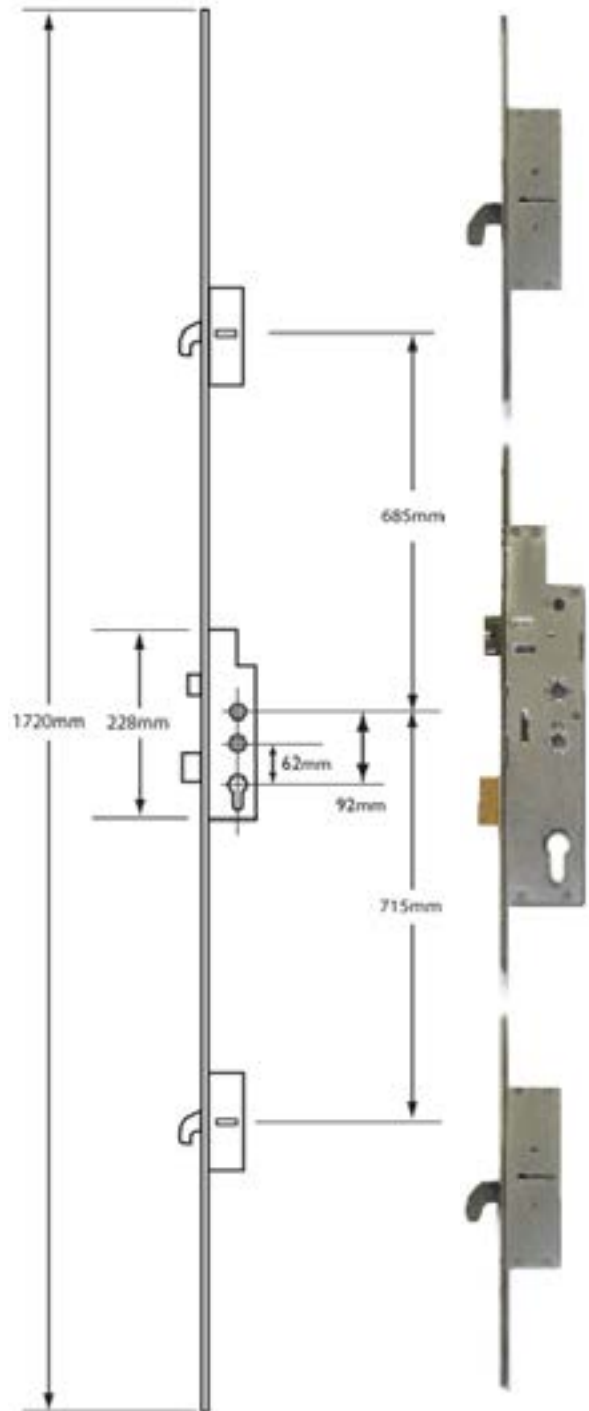
GU 6-3001400 Centre Keep

- L12049 LH
- L12050 RH



GU Deadbolt Keep

- L15386 Deadbolt Keep

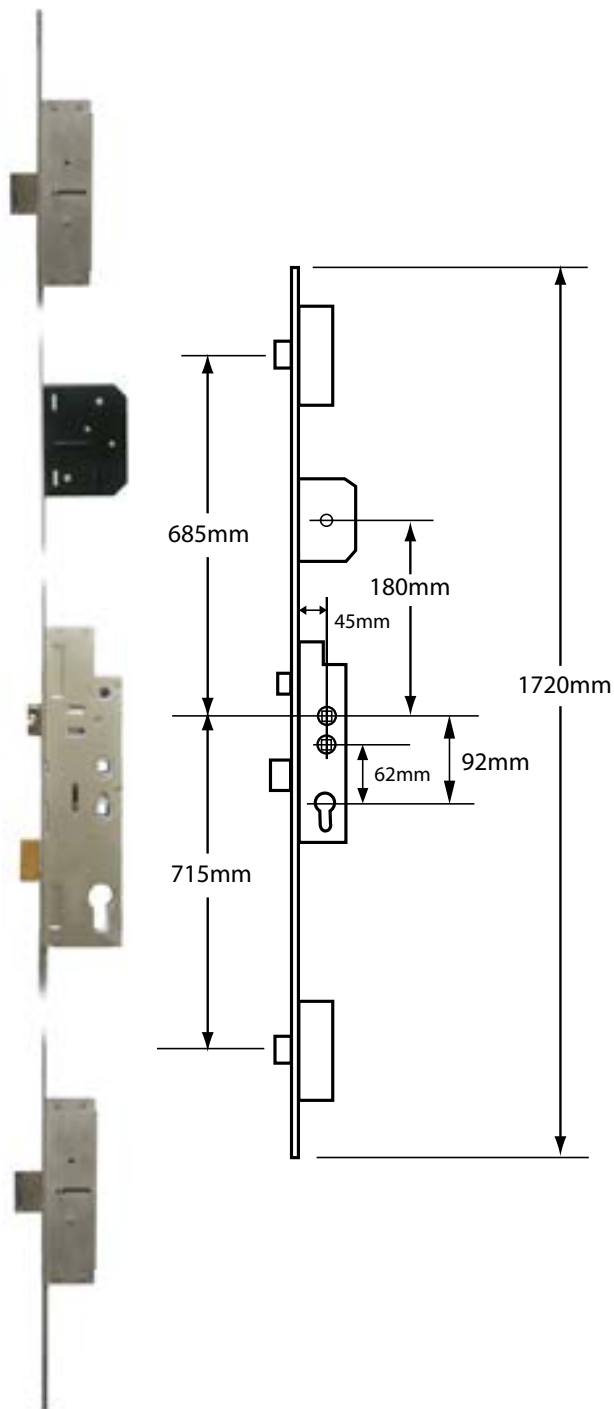


Product Code	Backset	Centres	Spindle	Centre Case	Mfr Ref.	Hooks
L25246	35mm	92/62mm	Twin	Latch & Deadbolt	XLC35HK44W	2
L25247	45mm	92/62mm	Twin	Latch & Deadbolt	XLC45HK44W	2

# FULLEX Holiday Lock Lever Operated Latch & Deadbolt Twin Spindle - 2 Deadbolt

fullex 92/62 45

Door



## Features

- Euro Profile Lock Case
- Latch & Deadbolt
- Additional Holiday Lock
- Twin Spindle
- 20mm Radius Faceplate
- Used on Barratt Homes, Persimmon and Bryant Homes from 2010

## Operation

A - Lift lever to engage locking mechanisms and then one full turn of the cylinder to lock. One full turn of the key then push down on the lever to unlock.

## Gearbox

FULLEX Crimebeater Lever Operated  
Latch & Deadbolt Twin Spindle Gearbox  
L18286 45/92-62



page  
33

## Associated Products

### CHAMELEON Pro Adaptable Door Handle

CH30025 White  
CH30026 Silver  
CH30027 Polished Silver  
CH30028 Gold  
CH30068 Black



page  
312

### GU E11413 Timber Hook / Dead Keep

L15571 Timber Hook/ Dead Keep



page  
515

### GU E13338 Timber Centre Keep

L15572 Timber Centre Keep



page  
500

### GU Hook Bolt Keep

L15385 Hook Bolt Keep



page  
516

Product Code	Backset	Centres	Spindle	Centre Case	Mfr Ref.	Deadbolts
L18360	45mm	92/62mm	Twin	Latch & Deadbolt	CRB0002MLT	2

# FULLEX SL16 Lever Operated Latch & Deadbolt Split Spindle - 2 Deadbolt

68 35 45 55

fullex

Door

## Features

- Euro Profile Lock Case
- Latch & Deadbolt
- Split Spindle
- 16mm and 20mm faceplate variants

## Operation

A - Lift lever to engage locking mechanisms and then one full turn of the cylinder to lock. One full turn of the key then push down on the lever to unlock.

## Gearbox

### FULLEX Lever Operated Latch & Deadbolt Split Spindle New Style - Centre Case

L15434	35/68
L15433	45/68
L20710	55/68

page  
33

## Associated Products

### CHAMELEON Pro Adaptable Door Handle

CH30025	White
CH30026	Silver
CH30027	Polished Silver
CH30028	Gold
CH30068	Black

page  
312

### FULLEX 68 UPVC Furniture - No Snib

L18434	Gold
L18436	Chrome
L25040	Silver
L18444	White

page  
315

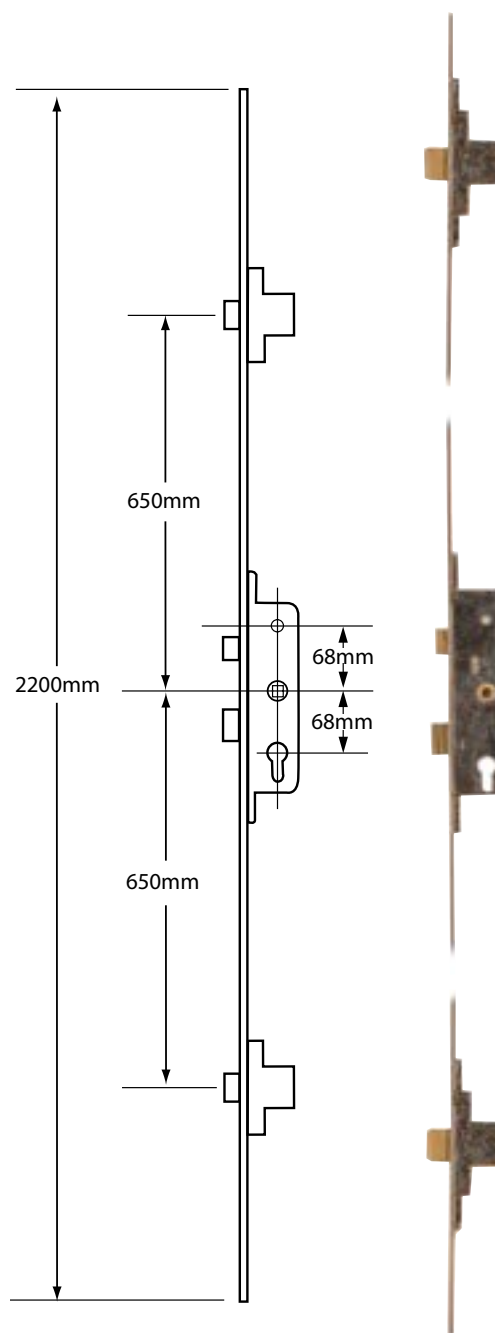
### FULLEX 68 UPVC Furniture - With Snib

L18435	Gold
L18441	White
L18442	Silver
L18443	Brass

page  
315

### HOPPE UPVC Lever Door Furniture To Suit Fullex c/w Snib

L13099	Gold
L13100	White
L17780	Silver

page  
318

Full Units - fullex

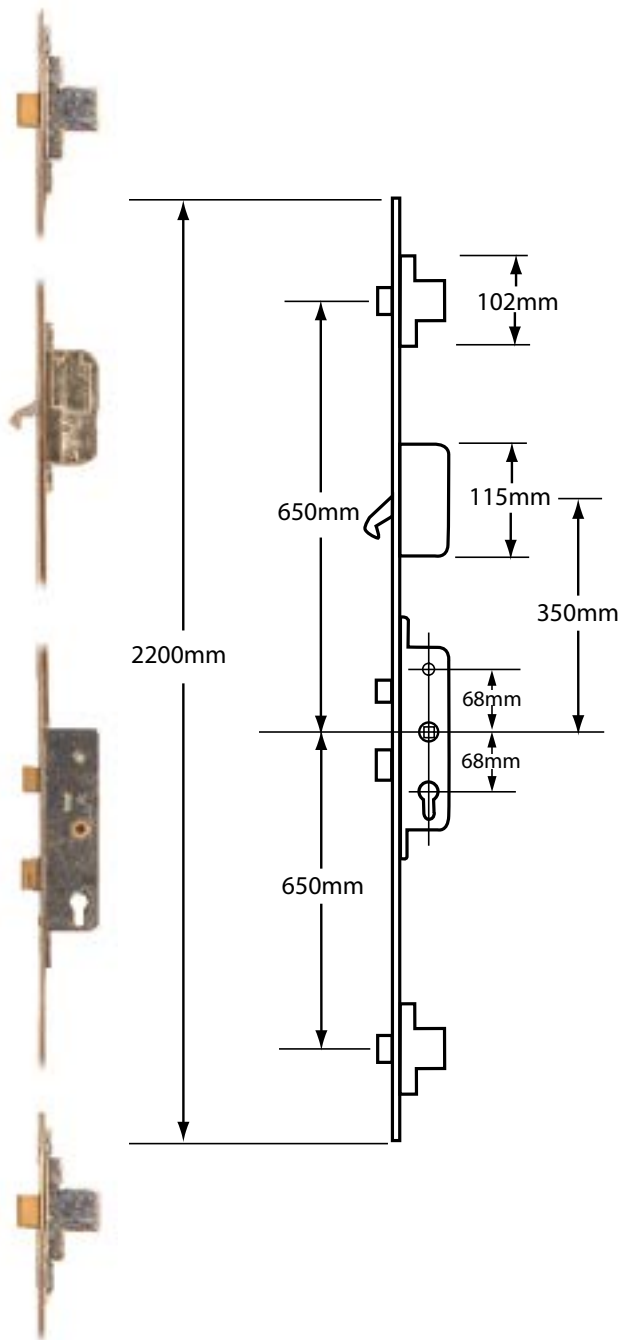
Product Code	Backset	Centres	Spindle	Centre Case	Faceplate	Mfr Ref.	Deadbolts
L15432	35mm	68mm	Split	Latch & Deadbolt	16mm	SL160004	2
L21735	35mm	68mm	Split	Latch & Deadbolt	20mm	SL160053	2
L24351	45mm	68mm	Split	Latch & Deadbolt	20mm	SL160108	2
L20551	55mm	68mm	Split	Latch & Deadbolt	20mm	SL160074	2



# FULLEX SL16 Lever Operated Latch & Deadbolt Split Spindle - 2 Deadbolt 1 Hook

fullex 68 35

Door



## Features

- Euro Profile Lock Case
- Latch & Deadbolt
- Split Spindle
- 16mm Faceplate

## Operation

A - Lift lever to engage locking mechanisms and then one full turn of the cylinder to lock. One full turn of the key then push down on the lever to unlock.

## Gearbox

### FULLEX Lever Operated Latch & Deadbolt Split Spindle New Style - Centre Case

L15434 35/68



page  
33

## Associated Products

### CHAMELEON Pro Adaptable Door Handle

CH30025 White  
CH30026 Silver  
CH30027 Polished Silver  
CH30028 Gold  
CH30068 Black



page  
312

### FULLEX 68 UPVC Furniture - With Snib

L18435 Gold  
L18441 White  
L18442 Silver  
L18443 Brass



page  
315

### GU 6-3001400 Centre Keep

L12049 LH  
L12050 RH



page  
453

### GU Deadbolt Keep

L15386 Deadbolt Keep



page  
454

### GU Hook Bolt Keep

L15385 Hook Bolt Keep



page  
516

Product Code	Backset	Centres	Spindle	Centre Case	Mfr Ref.	Deadbolts	Hooks
L15431	35mm	68mm	Split	Latch & Deadbolt	SL160018	2	1

# FULLEX XL Lever Operated Latch & Hook Bolt - 2 Hook 2 Anti-Lift 2 Roller

92 35

fullex

## Features

- Extendable top and bottom for maximum flexibility
- Roller cams for compression and smooth operation
- Can be used with either one piece or individual keep sets
- Secured by Design
- Three opposing steel hooks and two steel anti lift bolts
- Latch hold back snib on lock faceplate

## Overview

The XL was designed from the outset to offer maximum security and reliability. Sharing many features from the highly successful SL16 Crimebeater lock, XL adds a centre hook, two steel anti-lift bolts and two roller cams for compression and smooth operation.

Every XL PVC lock is extendable top and bottom for maximum flexibility and combined with Fullex high security shootbolts, the XL French door system is fully capable of meeting PAS24 requirements. The XL Composite lock has 3 hooks, 2 anti-lift bolts and latch as standard. XL is available in a range of lock centres and can be used with either one piece or individual keep sets.

## Operation

A - Lift lever to engage locking mechanisms and then one full turn of the cylinder to lock. One full turn of the key then push down on the lever to unlock.

## Gearbox

### FULLEX XL Lever Operated Latch & Hookbolt Gearbox

L22607 35/92

page  
34

## Associated Products

### CHAMELEON Pro Adaptable Door Handle

CH30025 White  
CH30026 Silver  
CH30027 Polished Silver  
CH30028 Gold  
CH30068 Black

page  
312

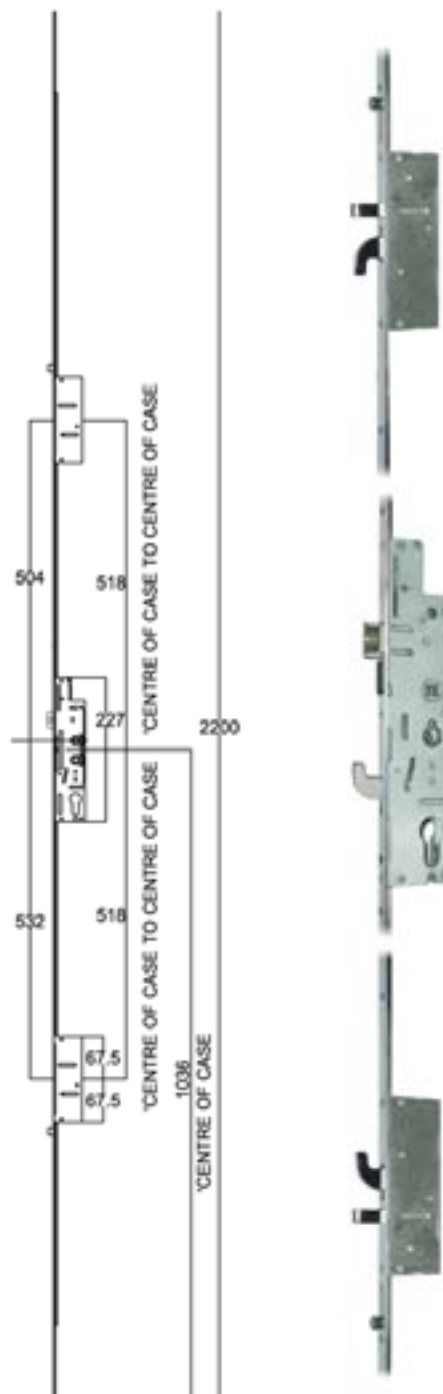
### ASEC 92 Lever/Lever UPVC Furniture - 240mm Backplate

L18398 Chrome  
L18399 Gold  
L18400 White

page  
323

### FULLEX XL Full Length One Piece Keep - 2 Hook & 2 Roller

L22610 LH  
L22611 RH

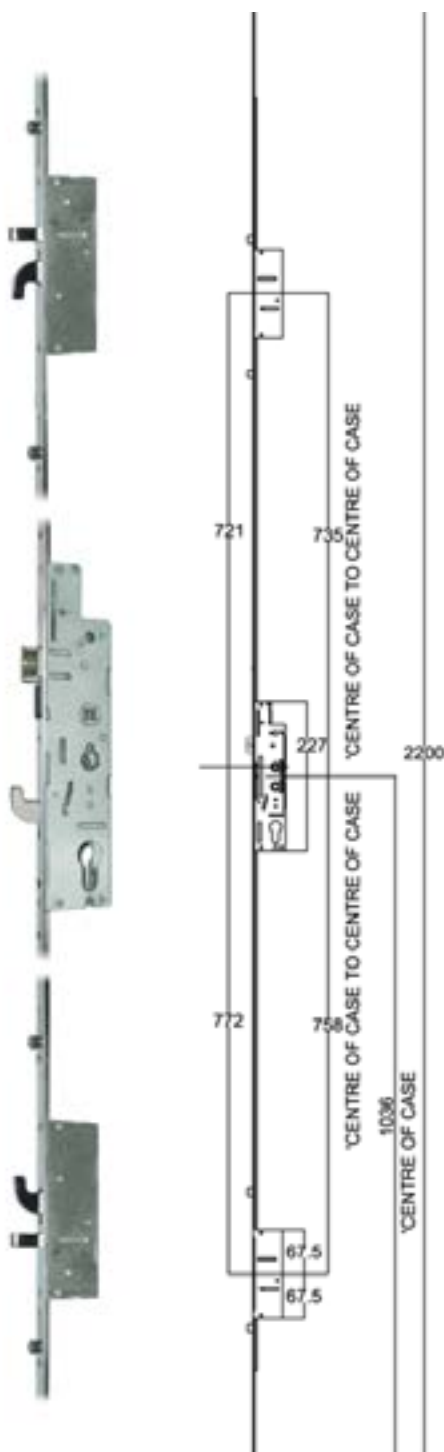
page  
510

Product Code	Backset	Centres	Spindle	Centre Case	Mfr Ref.	Anti-Lifts	Hooks	Rollers
L22605	35mm	92mm	Single	Latch & Hook Bolt	XL32R518SP	2	2	2

# FULLEX XL Lever Operated Latch & Hook Bolt - 2 Hook 2 Anti-Lift 4 Roller

fullex 92 35

Door



## Features

- Extendable top and bottom for maximum flexibility
- Roller cams for compression and smooth operation
- Can be used with either one piece or individual keep sets
- Secured by Design
- Three opposing steel hooks and two steel anti lift bolts
- latch hold back snib on lock faceplate

## Overview

The XL was designed from the outset to offer maximum security and reliability. Sharing many features from the highly successful SL16 Crimebeater lock, XL adds a centre hook, two steel anti-lift bolts and four roller cams for compression and smooth operation.

Every XL PVC lock is extendable top and bottom for maximum flexibility and combined with Fullex high security shootbolts, the XL French door system is fully capable of meeting PAS24 requirements. The XL Composite lock has 3 hooks, 2 anti-lift bolts and latch as standard. XL is available in a range of lock centres and can be used with either one piece or individual keep sets.

## Operation

A - Lift lever to engage locking mechanisms and then one full turn of the cylinder to lock. One full turn of the key then push down on the lever to unlock.

## Gearbox

### FULLEX XL Lever Operated Latch & Hookbolt Gearbox

L22607 35/92



page  
34

## Associated Products

### CHAMELEON Pro Adaptable Door Handle

CH30025 White  
CH30026 Silver  
CH30027 Polished Silver  
CH30028 Gold  
CH30068 Black



page  
312

### FULLEX XL Full Length One Piece Keep - 2 Hook & 4 Roller

L22608 LH  
L22609 RH



page  
511

Product Code	Backset	Centres	Spindle	Centre Case	Mfr Ref.	Anti-Lifts	Hooks	Rollers
L22603	35mm	92mm	Single	Latch & Hook Bolt	XL34R7474SP	2	2	4

# FULLEX XL Lever Operated Latch & Hook Bolt Twin Spindle - 2 Hook 2 Anti-Lift 2 Roller

92 62 35

fullex

## Features

- Extendable top and bottom for maximum flexibility
- Roller cams for compression and smooth operation
- Can be used with either one piece or individual keep sets
- Secured by Design
- Three opposing steel hooks and two steel anti lift bolts
- Latch hold back snib on lock faceplate

## Overview

The XL was designed from the outset to offer maximum security and reliability. Sharing many features from the highly successful SL16 Crimebeater lock, XL adds a centre hook, two steel anti-lift bolts and two roller cams for compression and smooth operation.

Every XL PVC lock is extendable top and bottom for maximum flexibility and combined with Fullex high security shootbolts, the XL French door system is fully capable of meeting PAS24 requirements. The XL Composite lock has 3 hooks, 2 anti-lift bolts and latch as standard. XL is available in a range of lock centres and can be used with either one piece or individual keep sets.

## Operation

A - Lift lever to engage locking mechanisms and then one full turn of the cylinder to lock. One full turn of the key then push down on the lever to unlock.

## Gearbox

FULLEX XL Lever Operated Latch & Hookbolt Twin Spindle Gearbox

L22606 35/92-62



page  
35

## Associated Products

CHAMELEON Pro Adaptable Door Handle

CH30025 White  
CH30026 Silver  
CH30027 Polished Silver  
CH30028 Gold  
CH30068 Black



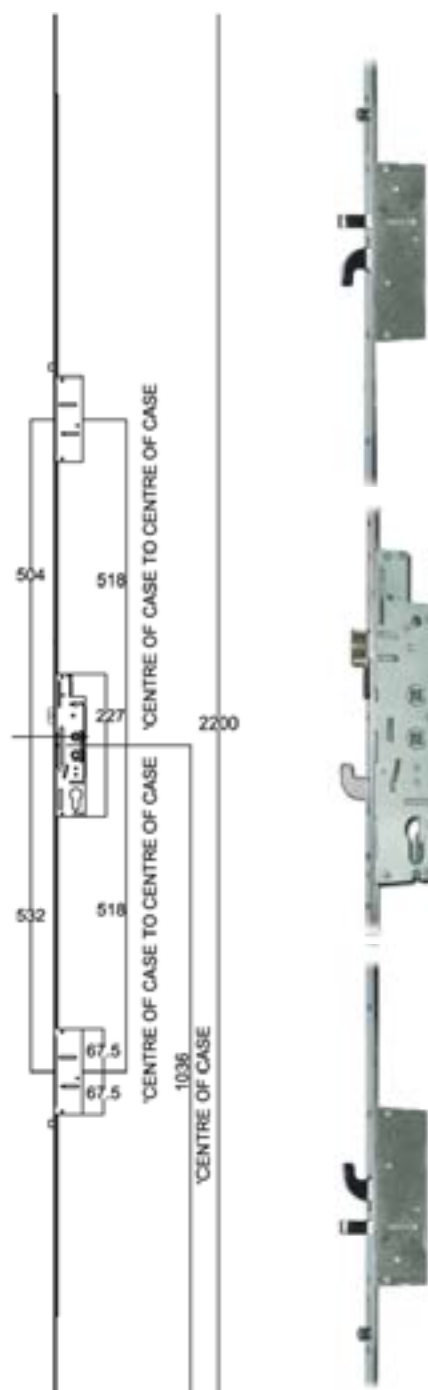
page  
312

FULLEX XL Full Length One Piece Keep - 2 Hook & 2 Roller

L22610 LH  
L22611 RH



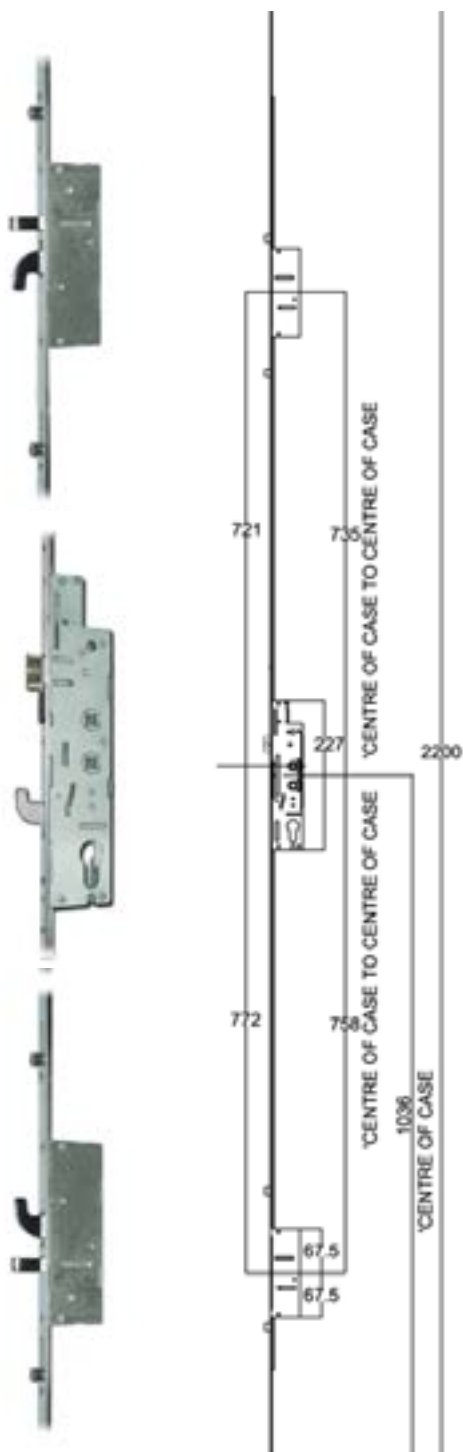
page  
510



Product Code	Backset	Centres	Spindle	Centre Case	Mfr Ref.	Anti-Lifts	Hooks	Rollers
L22604	35mm	92/62mm	Twin	Latch & Hook Bolt	XL32R518	2	2	2

# FULLEX XL Lever Operated Latch & Hook Bolt Twin Spindle - 2 Hook 2 Anti-Lift 4 Roller

fullex 92/62 35



## Features

- Extendable top and bottom for maximum flexibility
- Roller cams for compression and smooth operation
- Can be used with either one piece or individual keep sets
- Secured by Design
- Three opposing steel hooks and two steel anti lift bolts
- latch hold back snib on lock faceplate

## Overview

The XL was designed from the outset to offer maximum security and reliability. Sharing many features from the highly successful SL16 Crimebeater lock, XL adds a centre hook, two steel anti-lift bolts and four roller cams for compression and smooth operation.

Every XL PVC lock is extendable top and bottom for maximum flexibility and combined with Fullex high security shootbolts, the XL French door system is fully capable of meeting PAS24 requirements. The XL Composite lock has 3 hooks, 2 anti-lift bolts and latch as standard. XL is available in a range of lock centres and can be used with either one piece or individual keep sets.

## Operation

A - Lift lever to engage locking mechanisms and then one full turn of the cylinder to lock. One full turn of the key then push down on the lever to unlock

## Gearbox

### FULLEX XL Lever Operated Latch & Hookbolt Twin Spindle Gearbox

L22606 35/92-62



page  
35

## Associated Products

### CHAMELEON Pro Adaptable Door Handle

CH30025 White  
CH30026 Silver  
CH30027 Polished Silver  
CH30028 Gold  
CH30068 Black



page  
312

### FULLEX XL Full Length One Piece Keep - 2 Hook & 4 Roller

L22608 LH  
L22609 RH



page  
511

Product Code	Backset	Centres	Spindle	Centre Case	Mfr Ref.	Anti-Lifts	Hooks	Rollers
L22602	35mm	92/62mm	Twin	Latch & Hook Bolt	XL34R7474	2	2	4

# FULLEX XL 44mm Lever Operated Latch & Hook Bolt Twin Spindle - 2 Hook 2 Anti-Lift

92 35 45

fullex

## Features

- 44mm Faceplate
- Euro profile lock case
- Twin spindle
- Three opposing steel hooks and two steel anti lift bolts
- Secured by Design approved

## Overview

Offering maximum security and reliability, this twin-spindle Fullex XL Crimebeater lock features a latch and hook centre case, two steel anti-lift bolts and two hooks. The 44mm faceplate width makes this unit ideal for timber doors.

## Operation

A - Lift lever to engage locking mechanisms and then one full turn of the cylinder to lock. One full turn of the key then push down on the lever to unlock

## Gearbox

FULLEX XL Lever Operated Latch & Hookbolt Twin Spindle Gearbox

L22606 35/92-62



page  
35

## Associated Products

CHAMELEON Pro Adaptable Door Handle

CH30025 White  
CH30026 Silver  
CH30027 Polished Silver  
CH30028 Gold  
CH30068 Black



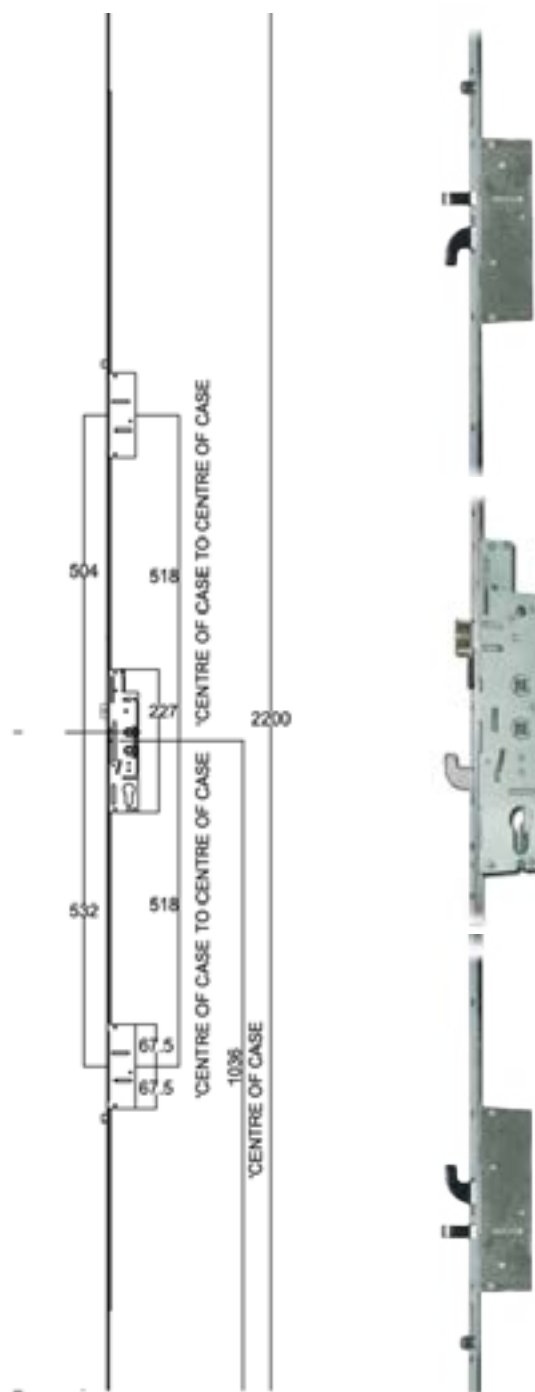
page  
312

FULLEX XL Full Length One Piece Keep - 2 Hook & 2 Roller

L22610 LH  
L22611 RH



page  
510



Product Code	Backset	Centres	Spindle	Centre Case	Mfr Ref.	Anti-Lifts	Hooks
L25921	35mm	92/62mm	Twin	Latch & Hook Bolt	XL3W35650	2	2
L25922	45mm	92/62mm	Twin	Latch & Hook Bolt	XL3W45650	2	2



See page  
**312**

## PRO Adaptable Door Handle

The chameleon® PRO Adaptable Door Handle can replace almost 100% of door handles using cleverly designed adaptable centres and backplate.



*See how adaptable it is for yourself!  
Scan Here*



Unique **Adaptable backplate** enables handle to accommodate a wide range of screw hole centres.



**Adaptable handle height** to accommodate both inline & offset lock centres between 59-96mm to allow for easy installation.

[www.chameleonhardware.co.uk](http://www.chameleonhardware.co.uk)

# GRIDLOCK C Series Lever Operated Latch & Deadbolt Twin Spindle - 2 Deadbolt



## Features

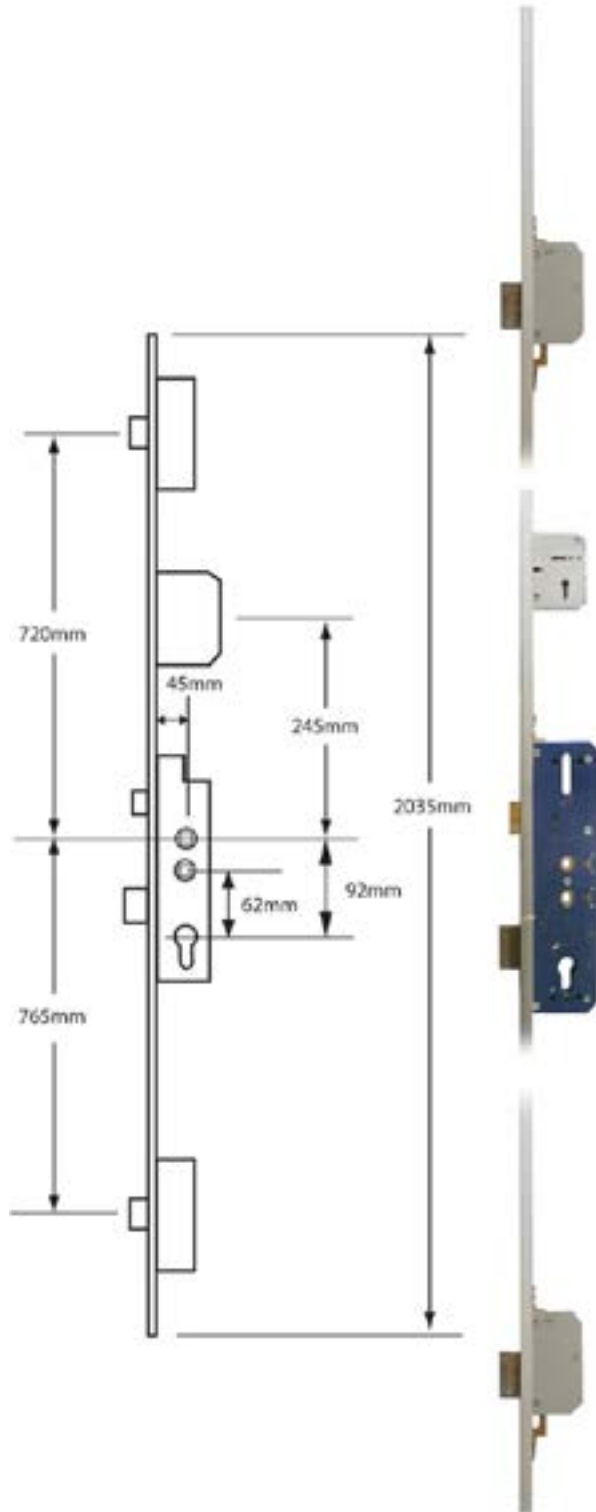
- Euro Profile Lock Case
- Latch & Deadbolt
- Twin Spindle
- 22mm "U" Rail Faceplate

## Operation

A - Lift lever to engage locking mechanisms and then one full turn of the cylinder to lock. One full turn of the key then push down on the lever to unlock.

## Notes

The original lock was the C Series but is now called the P Series. The C Series either had a loose Holiday lock or no lock. The P Series has a fixed holiday lock, this lock can be used for all styles.



## Associated Products

### CHAMELEON Pro Adaptable Door Handle

- CH30025 White
- CH30026 Silver
- CH30027 Polished Silver
- CH30028 Gold
- CH30068 Black



page 312

Product Code	Backset	Centres	Spindle	Centre Case	Mfr Ref.	Deadbolts
L18364	45mm	92/62mm	Twin	Latch & Deadbolt	IFM1.10SIL	2

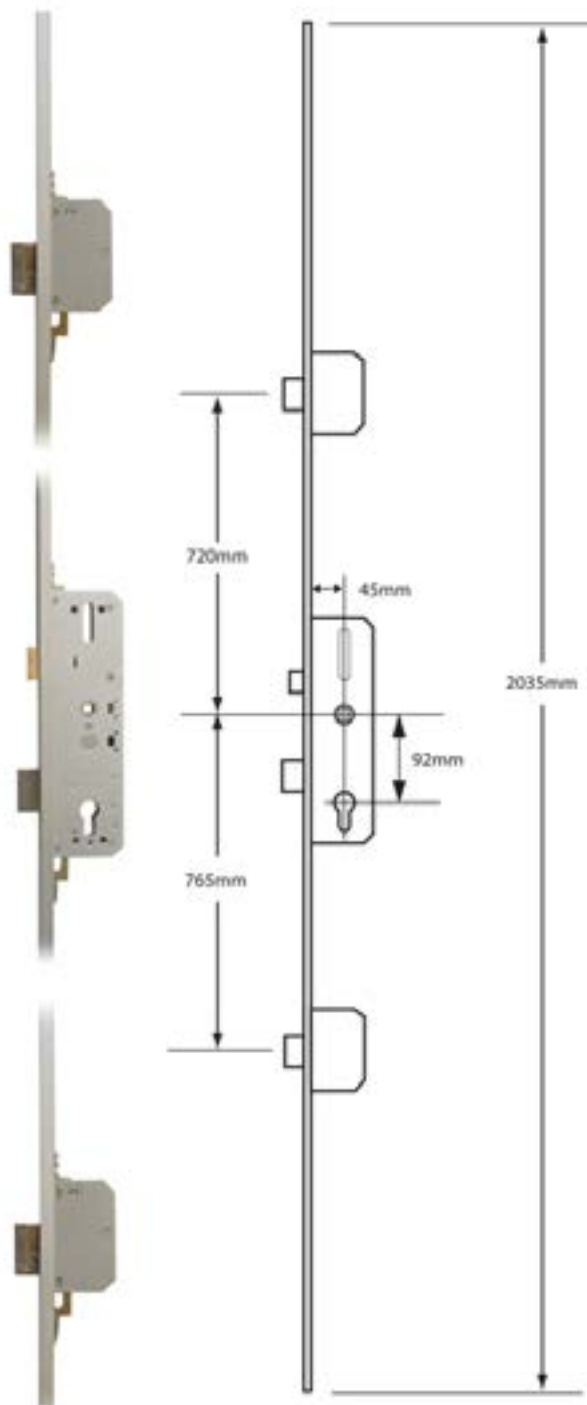


# GRIDLOCK E Series Lever Operated Latch & Deadbolt - 2 Deadbolt

**GRIDLOCK** 92 45

**DISCONTINUED**

Door



## Features

- Euro Profile Lock Case
- Latch & Deadbolt
- Single Spindle
- 22mm "U" Rail Faceplate
- E Series lock used on many Barratt Homes, Persimmon and other large new build sites

## Operation

A - Lift lever to engage locking mechanisms and then one full turn of the cylinder to lock. One full turn of the key then push down on the lever to unlock.

## Notes

Discontinued please use L18364.

## Associated Products

### CHAMELEON Pro Adaptable Door Handle

CH30025	White
CH30026	Silver
CH30027	Polished Silver
CH30028	Gold
CH30068	Black


 page  
312

### ASEC 85 Lever/Lever UPVC Furniture - 242mm Backplate

AS10666	Gold
AS10667	Silver
AS10668	White


 page  
320

Product Code	Backset	Centres	Spindle	Centre Case	Mfr Ref.	Deadbolts
L18363	45mm	92mm	Single	Latch & Deadbolt	IFM1.15SI	2

# GU 3000 ProLock Long Lever Operated Latch & Hook Bolt - 2 Hook 4 Roller



## Features

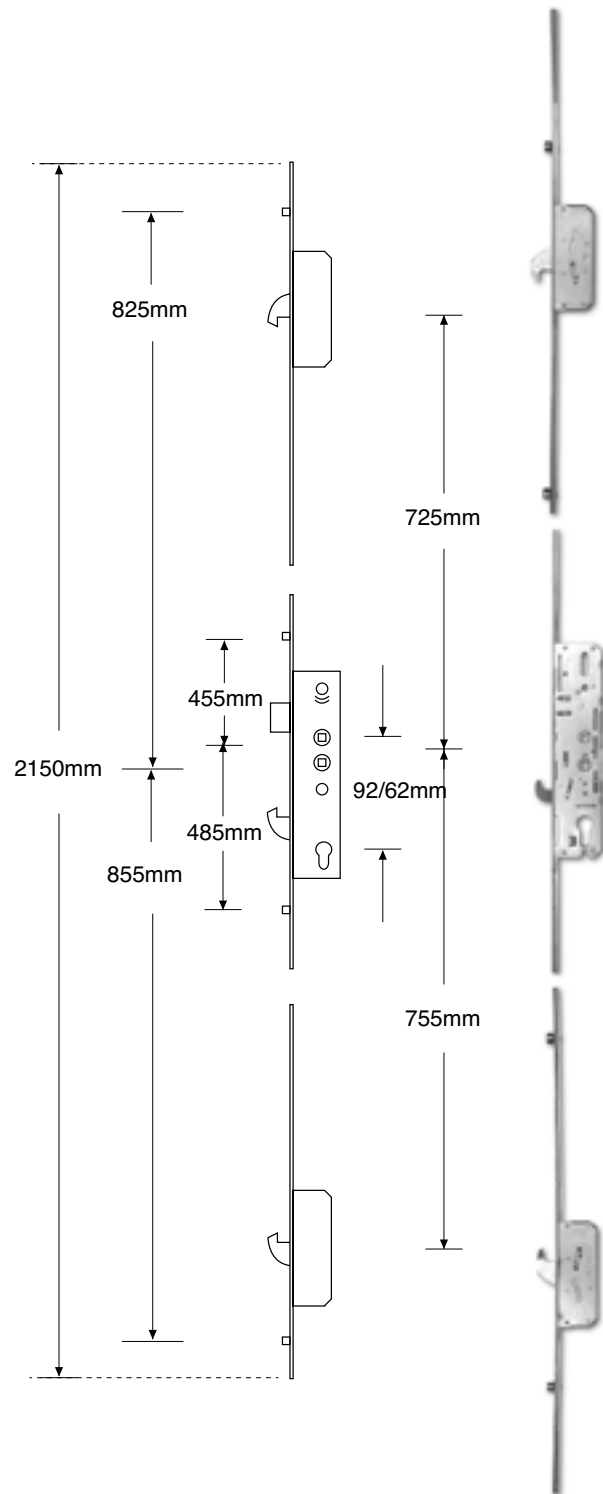
- Latch & Hook Bolt
- Twin spindle
- 16mm wide faceplate
- 2 Hooks & 4 Rollers
- 92/62 centres
- 35mm backset

## Overview

The GU 3000 ProLock Long is a lever operated multipoint lock system with a 35mm backset, 92/62 centres, a 16mm wide faceplate, 2 hooks and 4 rollers.

## Operation

A - Lift lever to engage locking mechanisms and then one full turn of the cylinder to lock. One full turn of the key then push down on the lever to unlock.



## Associated Products

### CHAMELEON Pro Adaptable Door Handle

- CH30025 White
- CH30026 Silver
- CH30027 Polished Silver
- CH30028 Gold
- CH30068 Black



page 312

### GU 3000 ProLock Long Full Length Keep

- L24040 LH
- L24041 RH



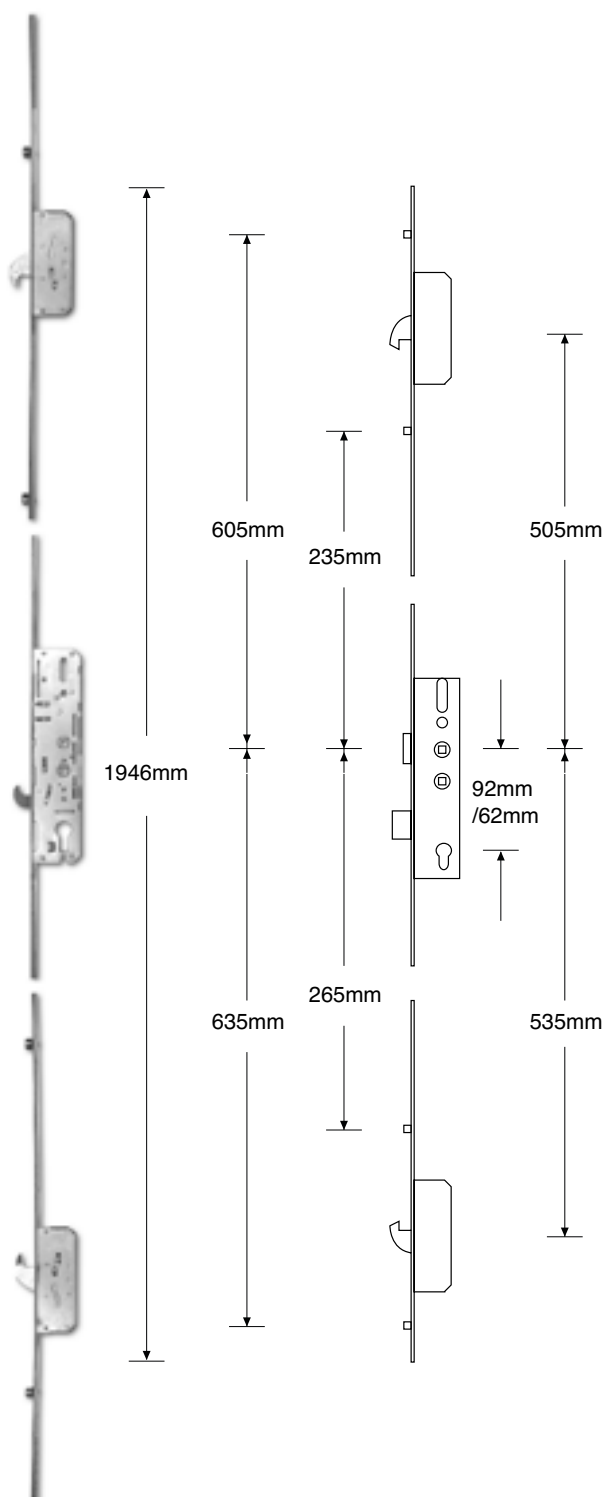
page 511

Product Code	Backset	Centres	Spindle	Centre Case	Mfr Ref.	Hooks
L24039	35mm	92/62mm	Twin	Latch & Hook Bolt	DLGUPROLOCKLONG	2

# GU 3000 ProLock Short & Slave Lever Operated Latch & Deadbolt - 2 Hook 4 Roller



Door



## Features

- Latch & Deadbolt (short)
- Twin spindle (short) & single spindle (slave)
- 16mm wide faceplate
- 2 Hooks & 4 Rollers (short)
- 92/62 centres (short) & 92mm centres (slave)
- 35mm backset (short)

## Overview

The GU 3000 ProLock Short & Slave are lever operated multipoint lock systems.

## Operation

A - Lift lever to engage locking mechanisms and then one full turn of the cylinder to lock. One full turn of the key then push down on the lever to unlock.

## Associated Products

### CHAMELEON Pro Adaptable Door Handle

CH30025	White
CH30026	Silver
CH30027	Polished Silver
CH30028	Gold
CH30068	Black



page  
312

### GU 3000 Pro Shootbolt Attachment To Suit ProLock Slave

L24043	Shootbolt
--------	-----------



page  
489

### GU 3000 Pro Shootbolt Keep To Suit ProLock Slave

L24044	Double Shootbolt Keep
L24045	Single Shootbolt Keep



page  
513

### GU 3000 ProLock Short Full Length Keep

L24047	LH
L24048	RH



page  
512

Product Code	Backset	Centres	Spindle	Centre Case	Mfr Ref.	Hooks
L24046	35mm	92/62mm	Twin	Latch & Hook	PROLOCKSHORT	2
L24042	35mm	92mm	Single	Slave	DLGUPROLOCKSLAVE	2

# GU A-Opener Electric Multipoint Lock - 2 Deadbolt



## Features

- Euro Profile Lock Case
- Latch & Deadbolt
- Keywind Operation
- Automatically locks when the door is closed
- 16mm Faceplate

## Notes

Items are now sold separate:

L24348 - Secury Auto A2 1050 Multipoint Lock - 2 Deadlocks

L24347 - Secury Automatic Universal Motor

## Operation

A - Lift lever to engage locking mechanisms and then one full turn of the cylinder to lock. One full turn of the key then push down on the lever to unlock

## Associated Products

### CHAMELEON Pro Adaptable Door Handle

CH30025	White
CH30026	Silver
CH30027	Polished Silver
CH30028	Gold
CH30068	Black



page  
312

### ASEC Boxed Power Supply

AS9101	12VDC 2 Amp
--------	-------------



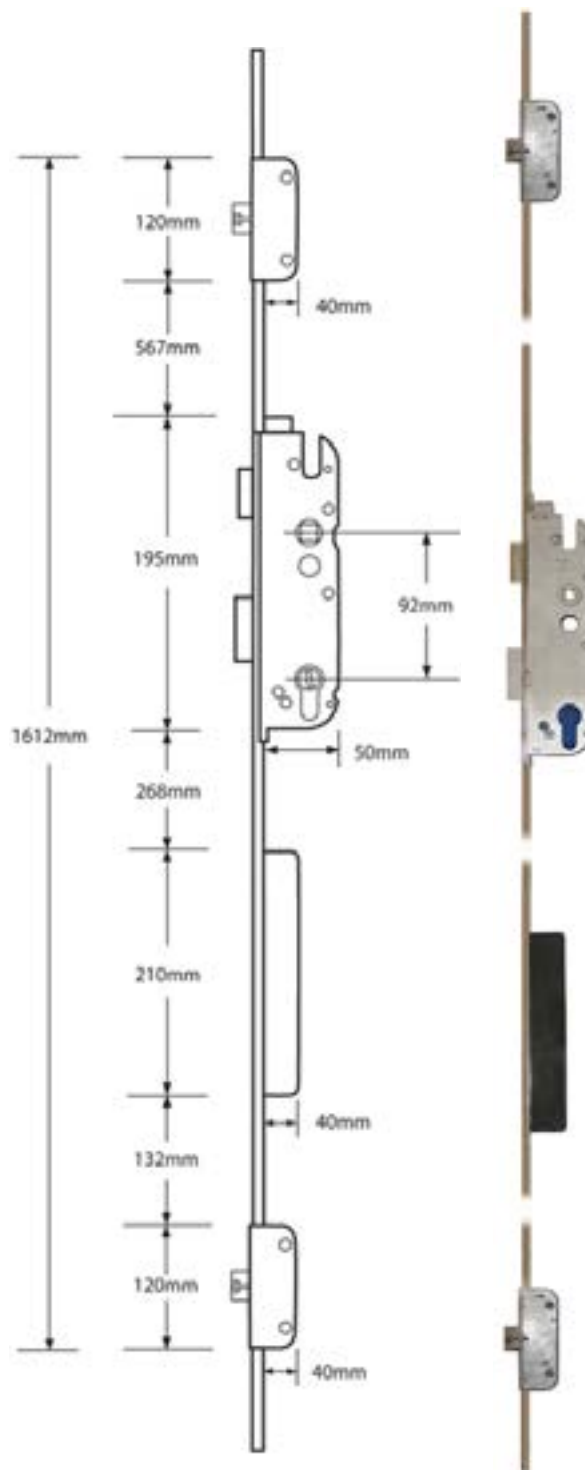
page  
456

### HOPPE Lever / Pad Fixing Plate

L16401	Lever Pad Fixing Plate
--------	------------------------



page  
385



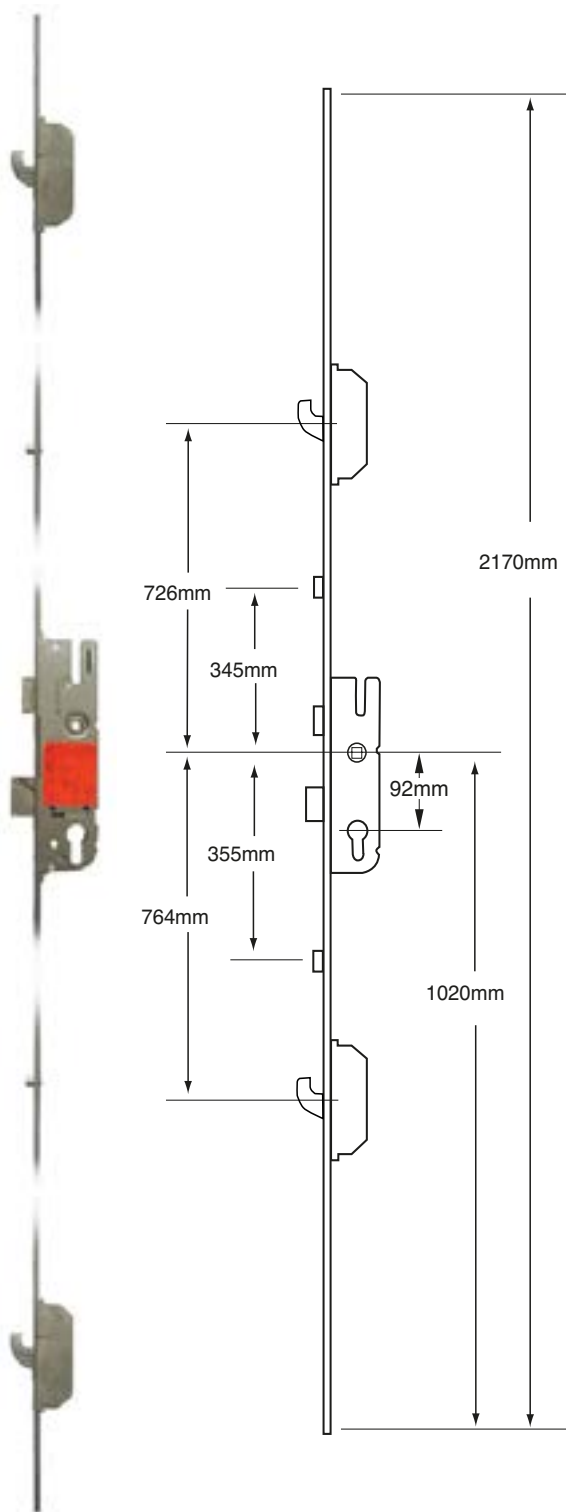
For Keeps please refer to pages 453-455

Product Code	Backset	Centres	Spindle	Centre Case	Mfr Ref.	Deadbolts
L16403	35mm	92mm	Single	Latch & Deadbolt	6 29037 31 01	2

# GU Europa Inboard Lever Operated Latch & Deadbolt Single Spindle - 2 Hook & 2 Roller



Door



## Features

- Euro Profile Lock Case
- Latch & Deadbolt
- Single Spindle
- 16mm Faceplate

## Operation

A - Lift lever to engage locking mechanisms and then one full turn of the cylinder to lock. One full turn of the key then push down on the lever to unlock.

## Gearbox

### GU Lever Operated Latch & Deadbolt - Centre Case

L16227 35/92



page  
36

## Associated Products

### CHAMELEON Pro Adaptable Door Handle

CH30025 White  
CH30026 Silver  
CH30027 Polished Silver  
CH30028 Gold  
CH30068 Black



page  
312

### ASEC 92 Lever/Lever UPVC Furniture - 220mm Backplate

L18404 Black  
L18405 Chrome  
L18406 Gold  
L18407 White



page  
322

### FERCO E11637-00-0-3 Roller Keep

L14405 Roller Keep



page  
508

### GU 6-3001400 Centre Keep

L12049 LH  
L12050 RH



page  
453

### GU Hook Bolt Keep

L15385 Hook Bolt Keep



page  
516

Product Code	Backset	Centres	Spindle	Centre Case	Mfr Ref.	Hooks	Rollers
L18371	35mm	92mm	Single	Latch & Deadbolt	6 32598 01 0 1	2	2

# GU Europa Inboard Lever Operated Latch & Deadbolt Split Spindle - 2 Hook & 2 Roller



## Features

- Euro Profile Lock Case
- Latch & Deadbolt
- Split Spindle
- 16mm Faceplate
- Split Spindle Nightlatch operation

## Operation

A - Lift lever to engage locking mechanisms and then one full turn of the cylinder to lock. One full turn of the key then push down on the lever to unlock.

## Notes

Split Spindle Nightlatch operation.

## Gearbox

GU Lever Operated Latch & Deadbolt  
Gearbox with Split Spindle

L21827 35/92



page  
36

## Associated Products

CHAMELEON Pro Adaptable Door Handle

- CH30025 White
- CH30026 Silver
- CH30027 Polished Silver
- CH30028 Gold
- CH30068 Black



page  
312

FERCO E11637-00-0-3 Roller Keep

L14405 Roller Keep



page  
508

GU 6-3001400 Centre Keep

- L12049 LH
- L12050 RH



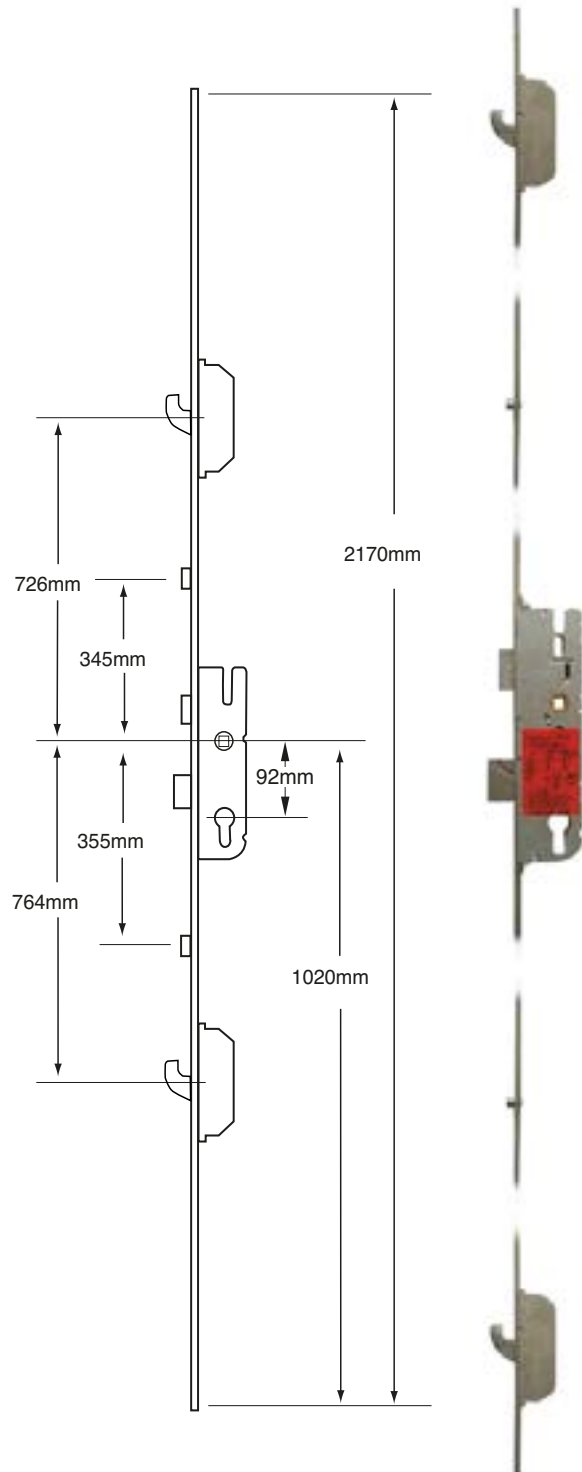
page  
453

GU Hook Bolt Keep

L15385 Hook Bolt Keep



page  
516

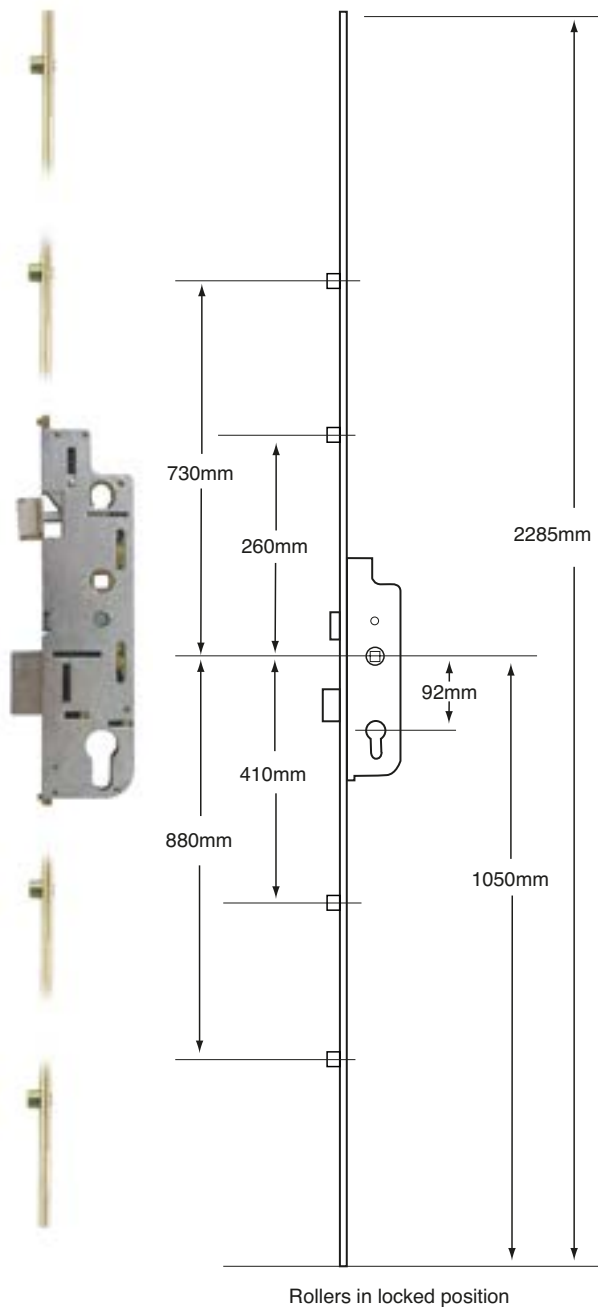


Product Code	Backset	Centres	Spindle	Centre Case	Mfr Ref.	Hooks	Rollers
L18370	35mm	92mm	Split	Latch & Deadbolt	6 32608 01 0 1	2	2

# GU Europa Plus Lever Operated Latch & Deadbolt - 4 Roller


**DISCONTINUED**

Door



## Features

- Euro Profile Lock Case
- Latch & Deadbolt
- Single Spindle
- 16mm Faceplate

## Operation

A - Lift lever to engage locking mechanisms and then one full turn of the cylinder to lock. One full turn of the key then push down on the lever to unlock.

## Notes

**Discontinued - For the 28mm version use CH10583 and for the 35mm version use CH10584 (or gearbox only L18761 Doormaster or L18289 copy), some altering of keeps maybe required.**

## Gearbox

ASEC GU Copy Lever Operated Latch & Deadbolt Old Style Gearbox  
L18289 35/92


 page  
27

## Associated Products

### CHAMELEON Pro Adaptable Door Handle

CH30025 White  
CH30026 Silver  
CH30027 Polished Silver  
CH30028 Gold  
CH30068 Black


 page  
312

### ASEC 92 Lever/Lever UPVC Furniture - 220mm Backplate

L18404 Black  
L18405 Chrome  
L18406 Gold  
L18407 White


 page  
322

### GU 6-3001400 Centre Keep

L12049 LH  
L12050 RH


 page  
453

### GU 9-379860003 Roller Keep

L12051 Roller Keep


 page  
515

Product Code	Backset	Centres	Spindle	Centre Case	Mfr Ref.
L20563	28mm	92mm	Single	Latch & Deadbolt	1755222
L20564	35mm	92mm	Single	Latch & Deadbolt	1755922

# GU Europa Plus Lever Operated Latch & Deadbolt Split Spindle - 2 Hook

**DISCONTINUED**



## Features

- Euro Profile Lock Case
- Latch & Deadbolt
- Split Spindle
- 16mm Faceplate


## Operation

A - Lift lever to engage locking mechanisms and then one full turn of the cylinder to lock. One full turn of the key then push down on the lever to unlock.

## Notes

**Discontinued - Use L11751 for the 28mm version and use L11752 for 35mm (or gearbox only L18761 Doormaster or L18289 Copy), some altering of keeps maybe required.**


## Gearbox


**ASEC GU Copy Lever Operated Latch & Deadbolt Old Style Gearbox**  
L18289 35/92  page 27

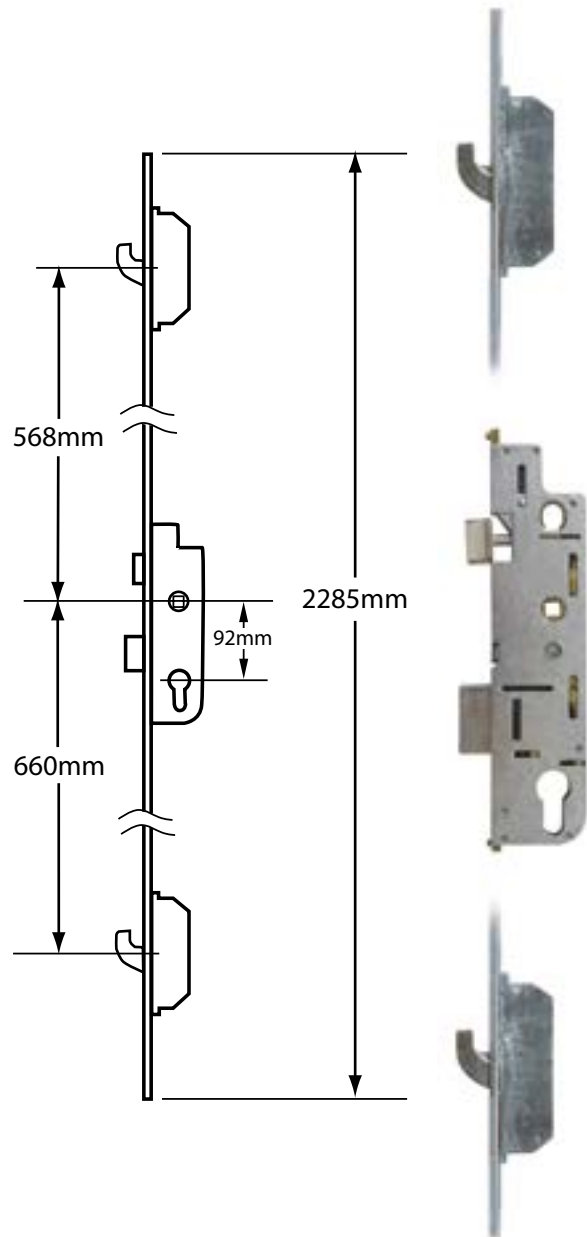
## Associated Products

**CHAMELEON Pro Adaptable Door Handle**  
CH30025 White  
CH30026 Silver  
CH30027 Polished Silver  
CH30028 Gold  
CH30068 Black  page 312

**ASEC 92 Lever/Lever UPVC Furniture - 220mm Backplate**  
L18404 Black  
L18405 Chrome  
L18406 Gold  
L18407 White  page 322

**GU 6-3001400 Centre Keep**  
L12049 LH  
L12050 RH  page 453

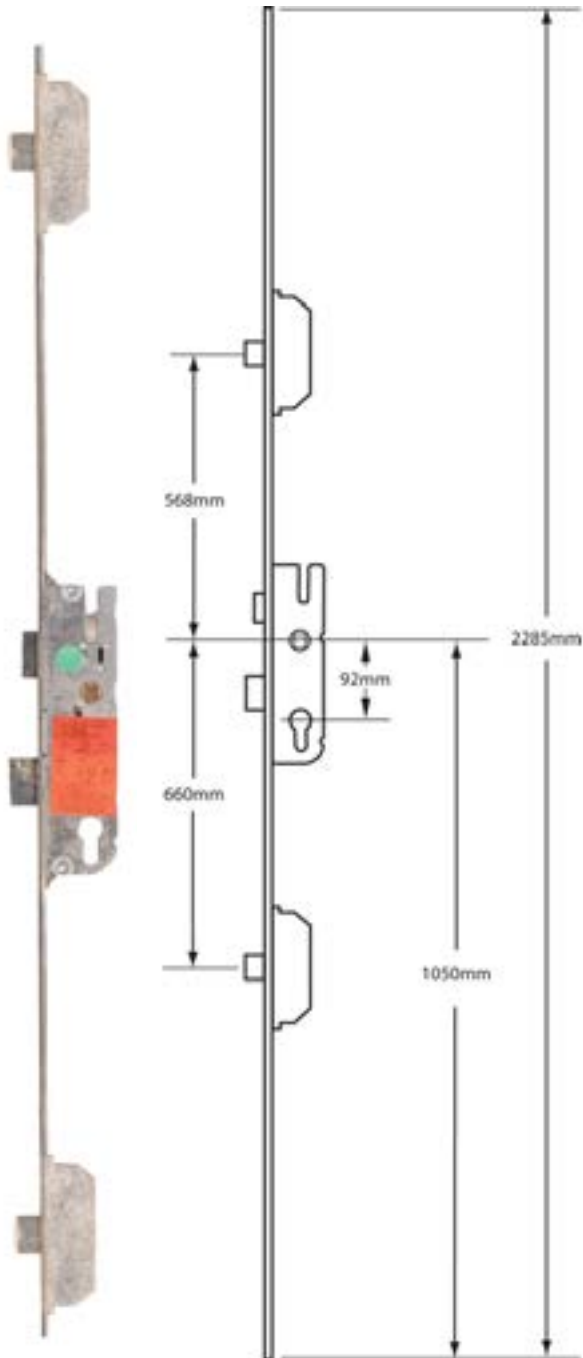
**GU Hook Bolt Keep**  
L15385 Hook Bolt Keep  page 516



Product Code	Backset	Centres	Spindle	Centre Case	Mfr Ref.
L20573	28mm	92mm	Split	Latch & Deadbolt	1878722
L20574	35mm	92mm	Split	Latch & Deadbolt	1878822



# GU Fast Lock Lever Operated Latch & Deadbolt - 2 Deadbolt



## Features

- Euro Profile Lock Case
- Latch & Deadbolt
- Single Spindle

## Operation

B - Lift handle to fully lock, to unlock One full turn of the key then push down on the lever.

## Gearbox

### GU Fast Lock Lever Operated Latch & Deadbolt

L21828 35/92



page  
35

## Associated Products

### CHAMELEON Pro Adaptable Door Handle

CH30025 White  
CH30026 Silver  
CH30027 Polished Silver  
CH30028 Gold  
CH30068 Black



page  
312

### ASEC 92 Lever/Lever UPVC Furniture - 220mm Backplate

L18404 Black  
L18405 Chrome  
L18406 Gold  
L18407 White



page  
322

### GU 6-3001400 Centre Keep

L12049 LH  
L12050 RH



page  
453

### GU Deadbolt Keep

L15386 Deadbolt Keep



page  
454

Product Code	Backset	Centres	Spindle	Centre Case	Mfr Ref.
L11756	35mm	92mm	Split	Latch & Deadbolt	6 33088 01 0 1

# GU Ferromatic Automatic Latch & Deadbolt - 2 Roller

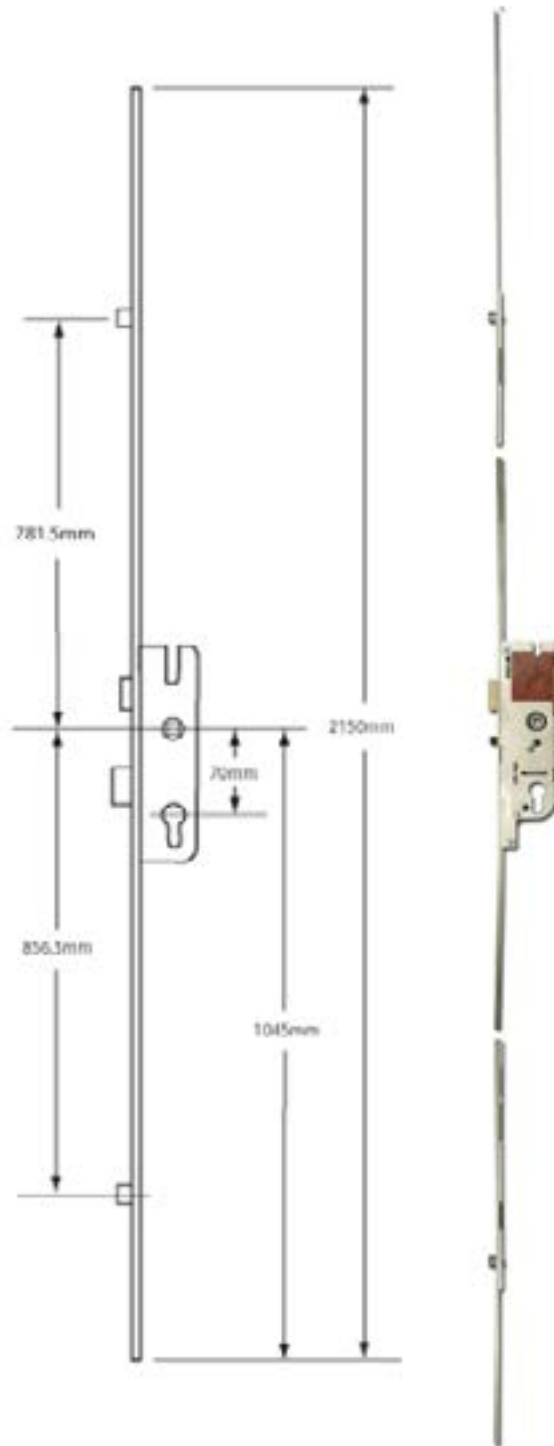


## Features

- Euro Profile Lock Case
- Latch & Deadbolt
- Single Spindle
- 16mm Faceplate
- Engages the locking points automatically every time the door is shut
- 2 Rollers

## Operation

Engages the locking points automatically every time the door is shut



## Associated Products

### CHAMELEON Pro Adaptable Door Handle

- CH30025 White
- CH30026 Silver
- CH30027 Polished Silver
- CH30028 Gold
- CH30068 Black



page 312

### FERCO E11637-00-0-3 Roller Keep

- L14405 Roller Keep



page 508

### HOPPE UPVC Lever Door Furniture To Suit Ferco

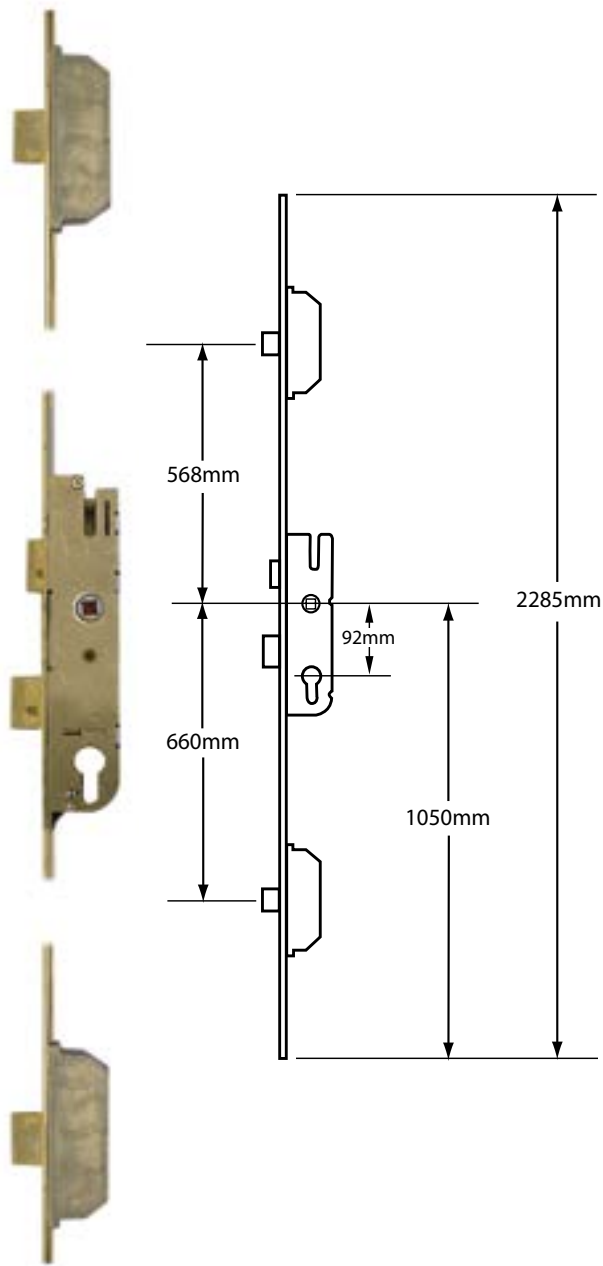
- L13087 Silver
- L13088 White
- L15455 Gold



page 319

Product Code	Backset	Centres	Spindle	Centre Case	Mfr Ref.
L23468	40mm	70mm	Single	Latch & Deadbolt	6 33164 11 01
L23469	50mm	70mm	Single	Latch & Deadbolt	6 33164 12 01

# GU Lever Operated Latch & Deadbolt - 2 Deadbolt (1228mm)



## Features

- Euro Profile Lock Case
- Latch & Deadbolt
- Single Spindle
- 16mm Faceplate

## Operation

A - Lift lever to engage locking mechanisms and then one full turn of the cylinder to lock. One full turn of the key then push down on the lever to unlock.

## Gearbox

### GU Lever Operated Latch & Deadbolt - Centre Case

L16216	28/92
L16227	35/92
L23582	45/92



page  
36

## Associated Products

### CHAMELEON Pro Adaptable Door Handle

CH30025	White
CH30026	Silver
CH30027	Polished Silver
CH30028	Gold
CH30068	Black



page  
312

### ASEC 92 Lever/Lever UPVC Furniture - 220mm Backplate

L18404	Black
L18405	Chrome
L18406	Gold
L18407	White



page  
322

### GU 6-3001400 Centre Keep

L12049	LH
L12050	RH



page  
453

### GU Deadbolt Keep

L15386	Deadbolt Keep
--------	---------------



page  
454

Product Code	Backset	Centres	Spindle	Centre Case	Mfr Ref.
L11749	28mm	92mm	Single	Latch & Deadbolt	6 32755 01 0 1
L11750	35mm	92mm	Single	Latch & Deadbolt	6 32754 01 0 1
L23587	45mm	92mm	Single	Latch & Deadbolt	6 32754 02 0 1

# GU Lever Operated Latch & Deadbolt - 2 Deadbolt (1609mm)



## Features

- Euro Profile Lock Case
- Latch & Deadbolt
- Single Spindle
- 16mm Faceplate

## Operation

A - Lift lever to engage locking mechanisms and then one full turn of the cylinder to lock. One full turn of the key then push down on the lever to unlock.

## Gearbox

### GU Lever Operated Latch & Deadbolt - Centre Case

L16216	28/92
L16227	35/92



page  
36

## Associated Products

### CHAMELEON Pro Adaptable Door Handle

CH30025	White
CH30026	Silver
CH30027	Polished Silver
CH30028	Gold
CH30068	Black



page  
312

### ASEC 92 Lever/Lever UPVC Furniture - 220mm Backplate

L18404	Black
L18405	Chrome
L18406	Gold
L18407	White



page  
322

### GU 6-3001400 Centre Keep

L12049	LH
L12050	RH



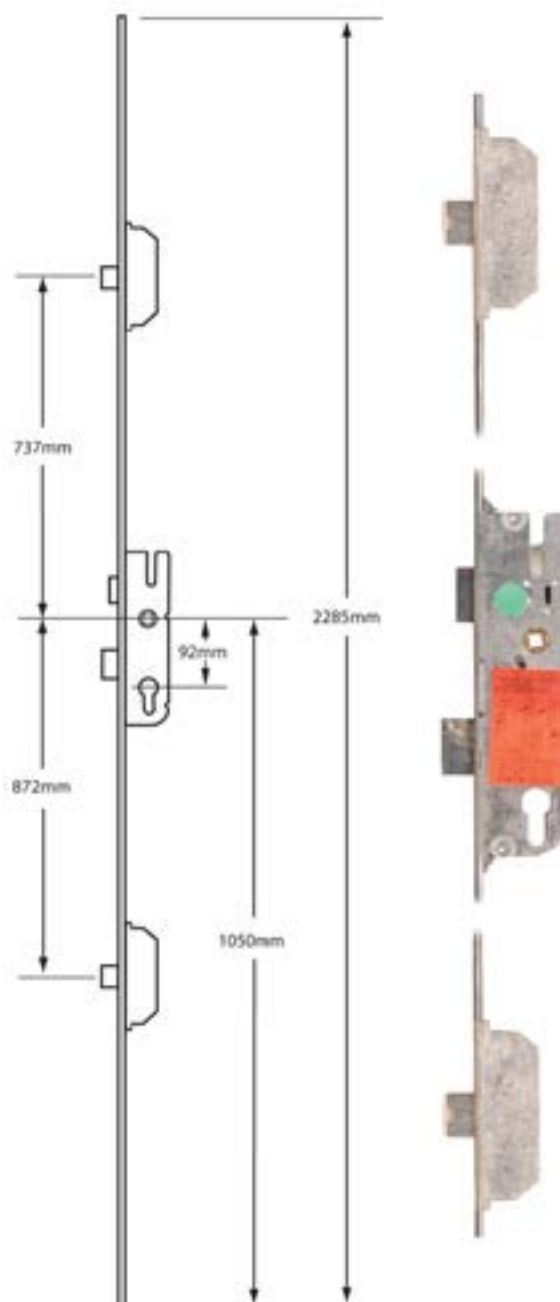
page  
453

### GU Deadbolt Keep

L15386	Deadbolt Keep
--------	---------------



page  
454

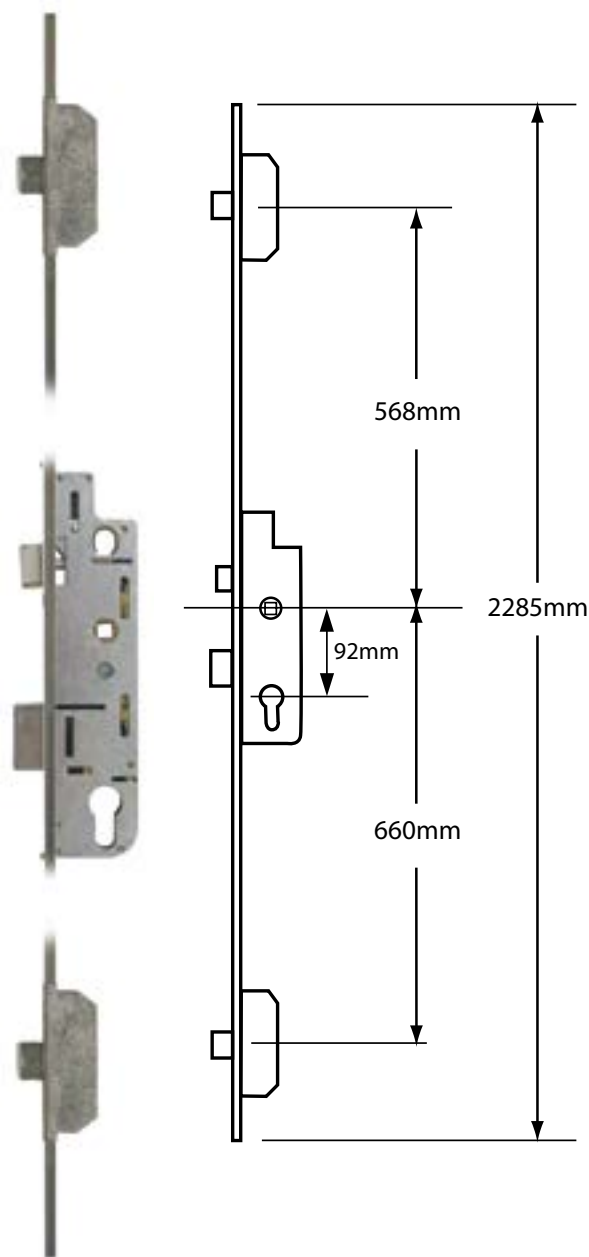


Product Code	Backset	Centres	Spindle	Centre Case	Mfr Ref.
L16436	28mm	92mm	Single	Latch & Deadbolt	6 32219 02 01
L16437	35mm	92mm	Single	Latch & Deadbolt	6 32218 12 01

# GU Lever Operated Latch & Deadbolt - 2 Deadbolt


**DISCONTINUED**

Door



## Features

- Euro Profile Lock Case
- Latch & Deadbolt
- Single Spindle
- 16mm Faceplate

## Operation

A - Lift lever to engage locking mechanisms and then one full turn of the cylinder to lock. One full turn of the key then push down on the lever to unlock.

## Notes

**Discontinued.** - For 28mm use L11749 and for 35mm use L18761 or L18289 (or a 35mm gearbox only). Some altering of keeps maybe required.

## Gearbox

ASEC GU Copy Lever Operated Latch & Deadbolt Old Style Gearbox

L18289 35/92



page  
27

## Associated Products

CHAMELEON Pro Adaptable Door Handle

CH30025 White  
CH30026 Silver  
CH30027 Polished Silver  
CH30028 Gold  
CH30068 Black



page  
312

ASEC 92 Lever/Lever UPVC Furniture - 220mm Backplate

L18404 Black  
L18405 Chrome  
L18406 Gold  
L18407 White



page  
322

GU 6-3001400 Centre Keep

L12049 LH  
L12050 RH



page  
453

GU Deadbolt Keep

L15386 Deadbolt Keep



page  
454

Product Code	Backset	Centre Case	Centres	Mfr Ref.	Spindle
L20565	28mm	Latch & Deadbolt	92mm	1876522	Single
L20566	35mm	Latch & Deadbolt	92mm	1876922	Single

# GU Lever Operated Latch & Deadbolt - 2 Hook



## Features

- Euro Profile Lock Case
- Latch & Deadbolt
- Single Spindle
- 16mm Faceplate

## Operation

A - Lift lever to engage locking mechanisms and then one full turn of the cylinder to lock. One full turn of the key then push down on the lever to unlock.

## Gearbox

### GU Lever Operated Latch & Deadbolt - Centre Case

L16216	28/92
L16227	35/92
L23582	45/92



page  
36

## Associated Products

### CHAMELEON Pro Adaptable Door Handle

CH30025	White
CH30026	Silver
CH30027	Polished Silver
CH30028	Gold
CH30068	Black



page  
312

### ASEC 92 Lever/Lever UPVC Furniture - 220mm Backplate

L18404	Black
L18405	Chrome
L18406	Gold
L18407	White



page  
322

### GU 6-3001400 Centre Keep

L12049	LH
L12050	RH



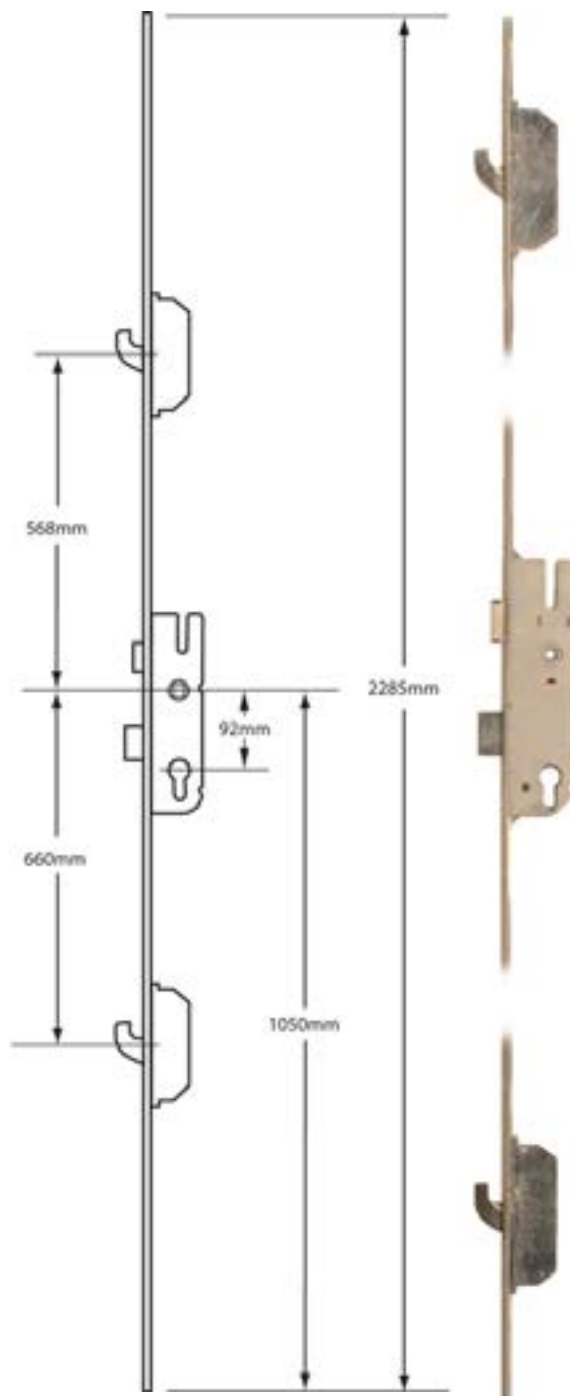
page  
453

### GU Hook Bolt Keep

L15385	Hook Bolt Keep
--------	----------------

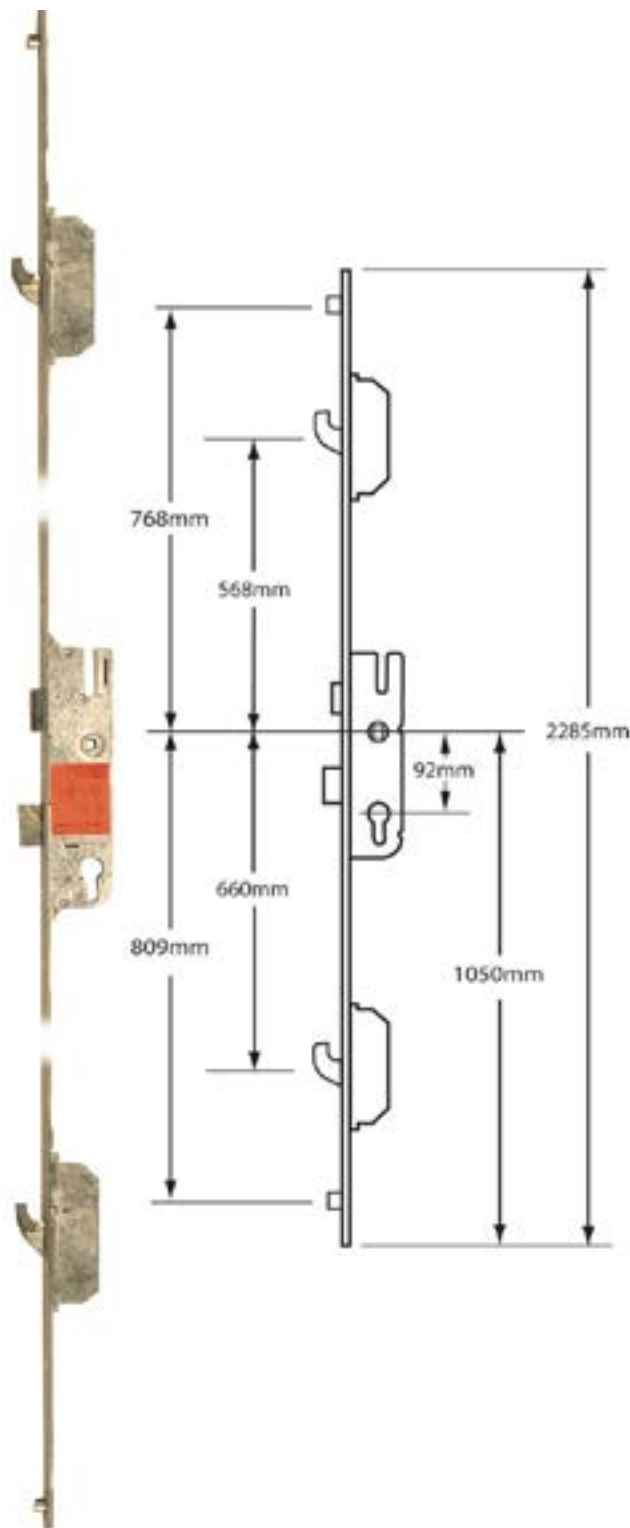


page  
516



Product Code	Backset	Centres	Spindle	Centre Case	Mfr Ref.
L11751	28mm	92mm	Single	Latch & Deadbolt	6 32487 01 0 1
L11752	35mm	92mm	Single	Latch & Deadbolt	6 32486 01 0 1
L24901	45mm	92mm	Single	Latch & Deadbolt	6-32486-02-0-1

# GU Lever Operated Latch & Deadbolt - 2 Hook 2 Outboard Roller



## Features

- Euro Profile Lock Case
- Latch & Deadbolt
- Single Spindle
- 16mm Faceplate

## Operation

A - Lift lever to engage locking mechanisms and then one full turn of the cylinder to lock. One full turn of the key then push down on the lever to unlock.

## Gearbox

### GU Lever Operated Latch & Deadbolt - Centre Case

L16227 35/92



page  
36

## Associated Products

### CHAMELEON Pro Adaptable Door Handle

CH30025 White  
CH30026 Silver  
CH30027 Polished Silver  
CH30028 Gold  
CH30068 Black



page  
312

### FERCO E11637-00-0-3 Roller Keep

L14405 Roller Keep



page  
508

### GU 6-3001400 Centre Keep

L12049 LH  
L12050 RH



page  
453

### GU 9-379860003 Roller Keep

L12051 Roller Keep



page  
515

### GU Hook Bolt Keep

L15385 Hook Bolt Keep



page  
516

Product Code	Backset	Centres	Spindle	Centre Case	Mfr Ref.	Hooks	Rollers
L15340	35mm	92mm	Single	Latch & Deadbolt	6 32602 02 0 1	2	2

# GU Lever Operated Latch & Deadbolt - 2 Small Hook



**DISCONTINUED**

## Features

- Euro Profile Lock Case
- Latch & Deadbolt
- Single Spindle
- 16mm Faceplate

## Operation

A - Lift lever to engage locking mechanisms and then one full turn of the cylinder to lock. One full turn of the key then push down on the lever to unlock.

## Notes

**Discontinued - use L15341.**

## Gearbox

ASEC GU Copy Lever Operated Latch & Deadbolt Old Style Gearbox

L18289 35/92



page  
27

## Associated Products

CHAMELEON Pro Adaptable Door Handle

CH30025 White  
CH30026 Silver  
CH30027 Polished Silver  
CH30028 Gold  
CH30068 Black



page  
312

ASEC 92 Lever/Lever UPVC Furniture - 220mm Backplate

L18404 Black  
L18405 Chrome  
L18406 Gold  
L18407 White



page  
322

GU 6-3001400 Centre Keep

L12049 LH  
L12050 RH



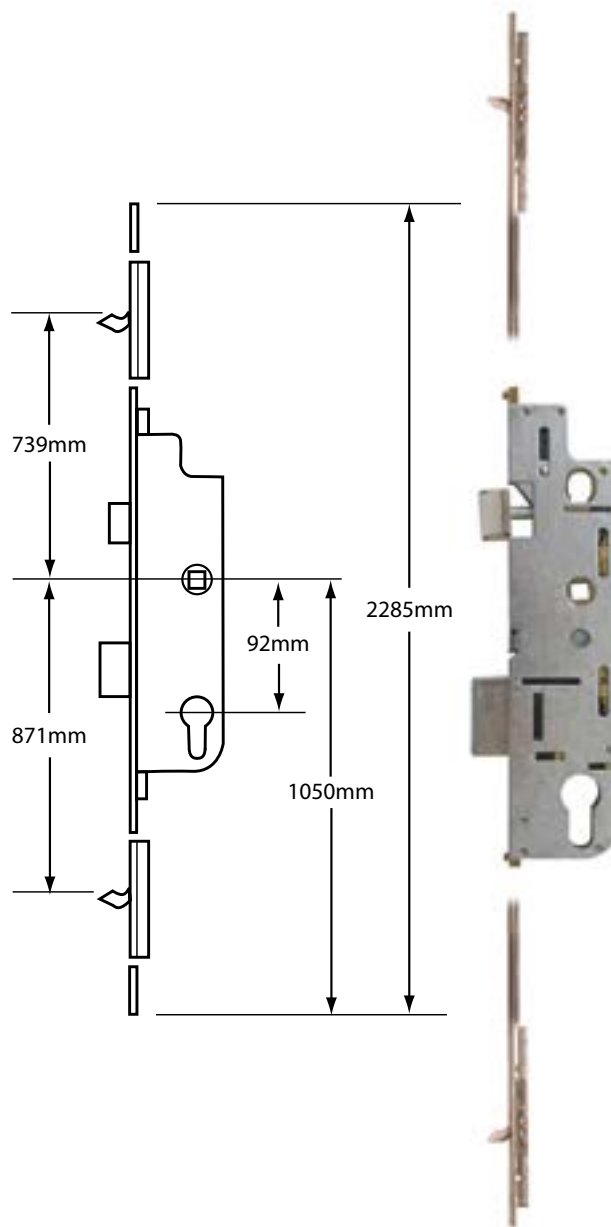
page  
453

GU Hook Bolt Keep

L15385 Hook Bolt Keep



page  
516



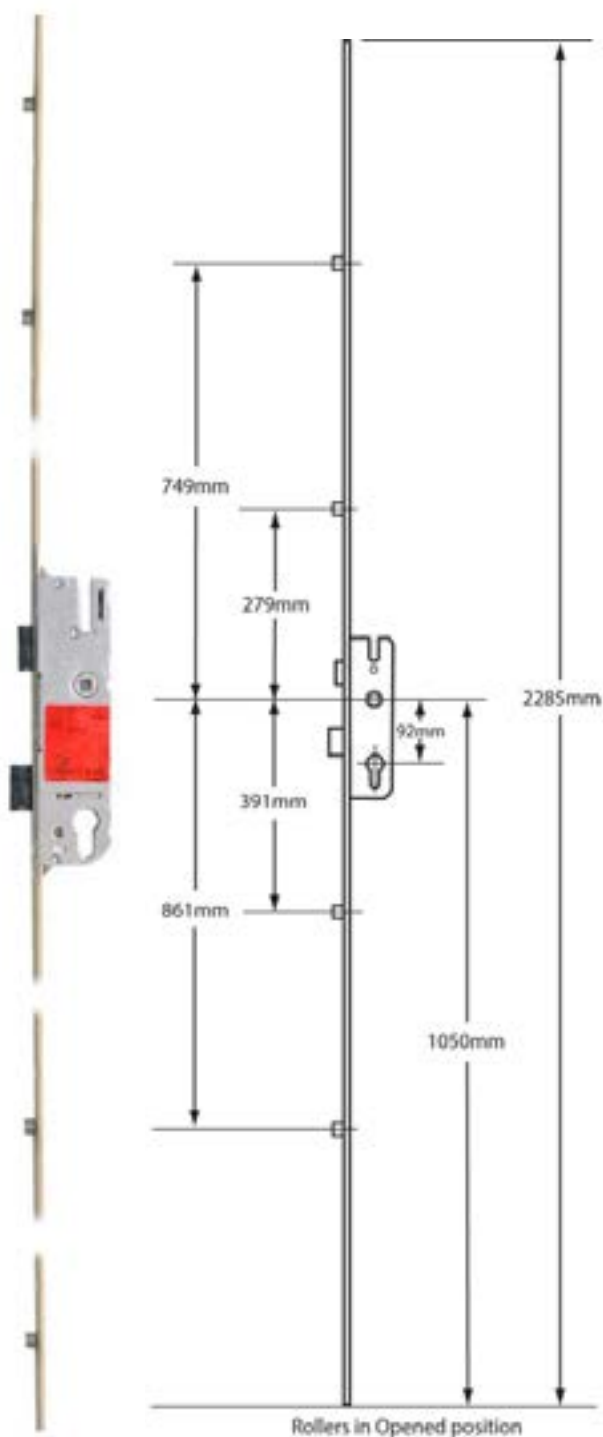
Product Code	Backset	Centres	Spindle	Centre Case	Mfr Ref.
L20582	40mm	92mm	Single	Latch & Deadbolt	1584722



# GU Lever Operated Latch & Deadbolt - 4 Roller



Door



## Features

- Euro Profile Lock Case
- Latch & Deadbolt
- Single Spindle
- 16mm Faceplate

## Operation

A - Lift lever to engage locking mechanisms and then one full turn of the cylinder to lock. One full turn of the key then push down on the lever to unlock.

## Gearbox

### GU Lever Operated Latch & Deadbolt - Centre Case

L16216	28/92
L16227	35/92
L24733	40/92
L23582	45/92

page  
36

## Associated Products

### CHAMELEON Pro Adaptable Door Handle

CH30025	White
CH30026	Silver
CH30027	Polished Silver
CH30028	Gold
CH30068	Black

page  
312

### ASEC 92 Lever/Lever UPVC Furniture - 220mm Backplate

L18404	Black
L18405	Chrome
L18406	Gold
L18407	White

page  
322

### GU 6-3001400 Centre Keep

L12049	LH
L12050	RH

page  
453

### FERCO E11637-00-0-3 Roller Keep

L14405	Roller Keep
--------	-------------

page  
508

Product Code	Backset	Centres	Spindle	Centre Case	Mfr Ref.	Rollers
L11747	28mm	92mm	Single	Latch & Deadbolt	6 32581 01 0 1	4
L11748	35mm	92mm	Single	Latch & Deadbolt	6 32580 01 0 1	4
L26290	40mm	92mm	Single	Latch & Deadbolt	6-32158-03-0-1	4
L15618	45mm	92mm	Single	Latch & Deadbolt	6 32580 02 0 1	4

# GU Lever Operated Latch & Deadbolt 20mm Faceplate - 2 Hook



## Features

- 20mm Faceplate
- Euro Profile Lock Case
- Latch & Deadbolt

## Overview

The GU Lever Operated Latch & Deadbolt is a multipoint locking system with a 20mm Faceplate. This particular mechanism comes with a Latch, Deadbolt and 2 Hook Bolts.

## Operation

A - Lift lever to engage locking mechanisms and then one full turn of the cylinder to lock. One full turn of the key then push down on the lever to unlock.

## Gearbox

### GU Lever Operated Latch & Deadbolt - Centre Case

L23582 45/92



page  
36

## Associated Products

### CHAMELEON Pro Adaptable Door Handle

CH30025 White  
CH30026 Silver  
CH30027 Polished Silver  
CH30028 Gold  
CH30068 Black



page  
312

### ASEC 92 Lever/Lever UPVC Furniture - 220mm Backplate

L18404 Black  
L18405 Chrome  
L18406 Gold  
L18407 White



page  
322

### GU 6-3001400 Centre Keep

L12049 LH  
L12050 RH



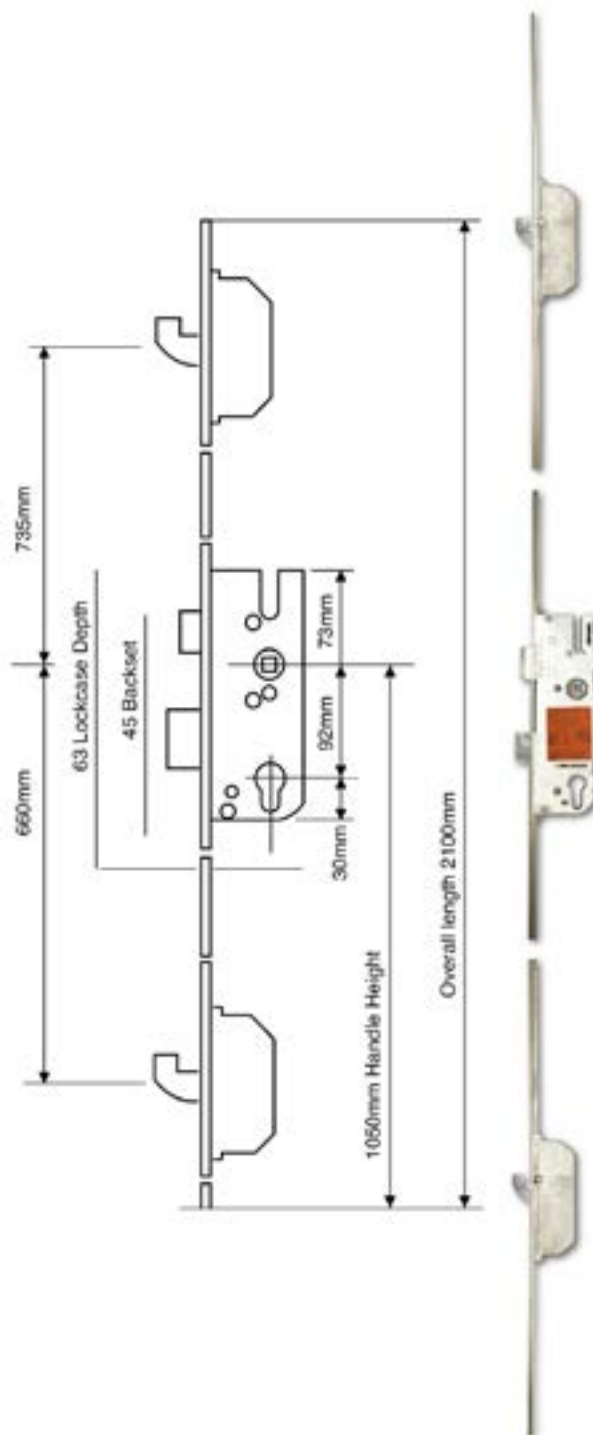
page  
453

### GU Hook Bolt Keep

L15385 Hook Bolt Keep

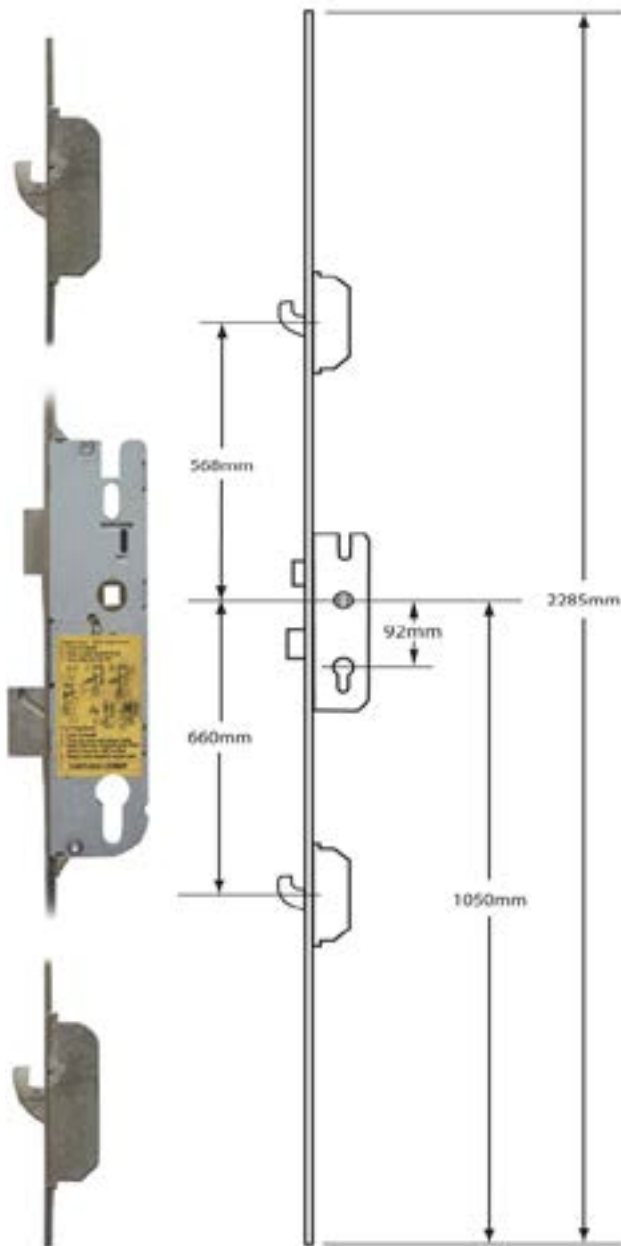


page  
516



Product Code	Backset	Centres	Spindle	Centre Case	Mfr Ref.	Hooks
L22863	45mm	92mm	Single	Latch & Deadbolt	6-32616-01-0-1	2
L22864	45mm	92mm	Split	Latch & Deadbolt	6-32616-01-0-1	2

# GU Lever Operated Latch & Deadbolt Split Spindle - 2 Hook



## Features

- Euro Profile Lock Case
- Latch & Deadbolt
- Split Spindle
- 16mm Faceplate

## Operation

A - Lift lever to engage locking mechanisms and then one full turn of the cylinder to lock. One full turn of the key then push down on the lever to unlock.

## Notes

Split Spindle Nightlatch facility.

## Gearbox

GU Lever Operated Latch & Deadbolt  
Gearbox with Split Spindle

L21827 35/92



page  
36

## Associated Products

CHAMELEON Pro Adaptable Door Handle

CH30025 White  
CH30026 Silver  
CH30027 Polished Silver  
CH30028 Gold  
CH30068 Black



page  
312

ASEC 92 Lever/Lever UPVC Furniture -  
220mm Backplate

L18404 Black  
L18405 Chrome  
L18406 Gold  
L18407 White



page  
322

GU 6-3001400 Centre Keep

L12049 LH  
L12050 RH



page  
453

GU Hook Bolt Keep

L15385 Hook Bolt Keep



page  
516

Product Code	Backset	Centres	Spindle	Centre Case	Mfr Ref.
L16396	35mm	92mm	Split	Latch & Deadbolt	6 32600 01 0 1
L26095	45mm	92mm	Split	Latch & Deadbolt	6-32600-03-0-1

# GU Lever Operated Latch & Deadbolt Split Spindle - 2 Hook



**DISCONTINUED**

## Features

- Euro Profile Lock Case
- Latch & Deadbolt
- Split Spindle
- 16mm Faceplate
- Split Spindle Nightlatch facility

## Operation

A - Lift lever to engage locking mechanisms and then one full turn of the cylinder to lock. One full turn of the key then push down on the lever to unlock.

## Notes

**Discontinued - For 35mm use L16396. Some altering of keeps may be required. Or replace the gearbox L18761 Doormaster or L18289 old style copy.**

## Gearbox

ASEC GU Copy Lever Operated Latch & Deadbolt Old Style Gearbox

L18289 35/92



page  
27

## Associated Products

CHAMELEON Pro Adaptable Door Handle

CH30025 White  
CH30026 Silver  
CH30027 Polished Silver  
CH30028 Gold  
CH30068 Black



page  
312

ASEC 92 Lever/Lever UPVC Furniture -  
220mm Backplate

L18404 Black  
L18405 Chrome  
L18406 Gold  
L18407 White



page  
322

GU 6-3001400 Centre Keep

L12049 LH  
L12050 RH



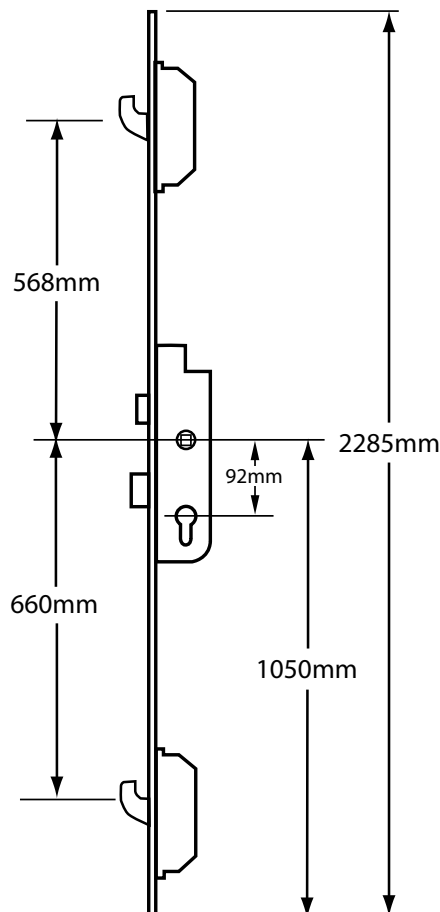
page  
453

GU Hook Bolt Keep

L15385 Hook Bolt Keep

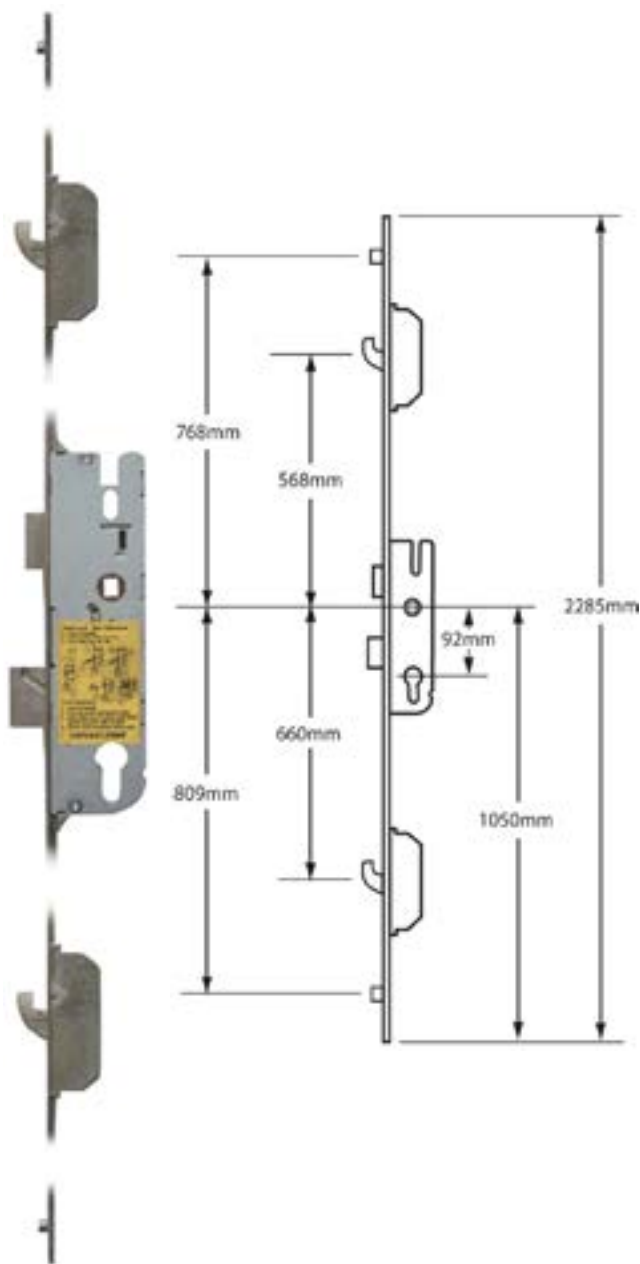


page  
516



Product Code	Backset	Centres	Spindle	Centre Case	Mfr Ref.
L20577	35mm	92mm	Split	Latch & Deadbolt	1939822

# GU Lever Operated Latch & Deadbolt Split Spindle - 2 Hook 2 Outboard Roller



## Features

- Euro Profile Lock Case
- Latch & Deadbolt
- Split Spindle
- 16mm Faceplate
- Lift lever or split spindle nightlatch function

## Operation

A - Lift lever to engage locking mechanisms and then one full turn of the cylinder to lock. One full turn of the key then push down on the lever to unlock.

## Notes

Split Spindle Nightlatch facility.

## Gearbox

GU Lever Operated Latch & Deadbolt  
Gearbox with Split Spindle  
L21827 35/92



page  
36

## Associated Products

CHAMELEON Pro Adaptable Door Handle

CH30025 White  
CH30026 Silver  
CH30027 Polished Silver  
CH30028 Gold  
CH30068 Black



page  
312

GU 6-3001400 Centre Keep

L12049 LH  
L12050 RH



page  
453

GU 9-379860003 Roller Keep

L12051 Roller Keep



page  
515

GU Hook Bolt Keep

L15385 Hook Bolt Keep



page  
516

Product Code	Backset	Centres	Spindle	Centre Case	Mfr Ref.	Hooks	Rollers
L16397	35mm	92mm	Split	Latch & Deadbolt	6 32610 02 0 1	2	2

# GU Lever Operated Latch & Deadbolt Split Spindle - 2 Roller & Attachment for Shoot Bolts - 2 Hook

**DISCONTINUED**

 92 28 35 **GU**

## Features

- Euro Profile Lock Case
- Latch & Deadbolt
- Split Spindle
- 16mm Faceplate

## Operation

A - Lift lever to engage locking mechanisms and then one full turn of the cylinder to lock. One full turn of the key then push down on the lever to unlock.

## Notes

**Discontinued - Use L18368 for the 28mm version and use L18367 for the 35mm version (or replace the gearbox L18761 Doormaster or L18289 old style copy), some altering of keeps may be required.**

## Gearbox

ASEC GU Copy Lever Operated Latch & Deadbolt Old Style Gearbox

L18289 35/92



page  
27

## Associated Products

CHAMELEON Pro Adaptable Door Handle

CH30025 White  
CH30026 Silver  
CH30027 Polished Silver  
CH30028 Gold  
CH30068 Black



page  
312

ASEC 92 Lever/Lever UPVC Furniture - 220mm Backplate

L18404 Black  
L18405 Chrome  
L18406 Gold  
L18407 White



page  
322

FERCO E11637-00-0-3 Roller Keep

L14405 Roller Keep



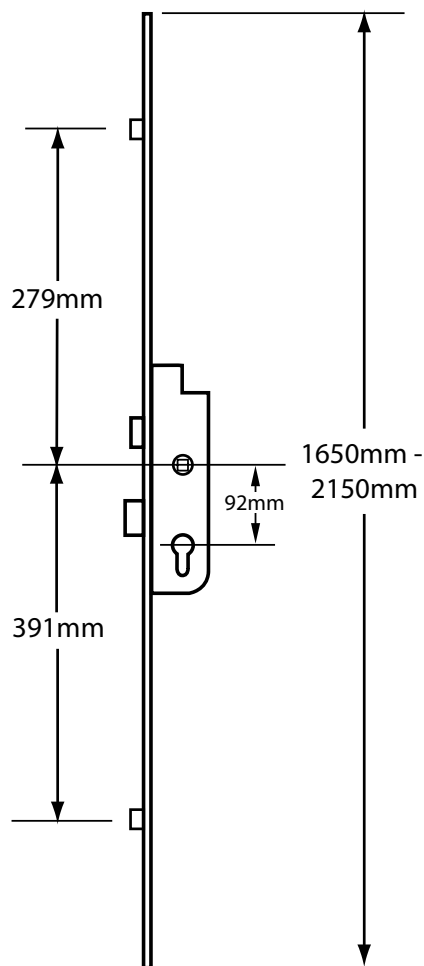
page  
508

GU 6-3001400 Centre Keep

L12049 LH  
L12050 RH



page  
453

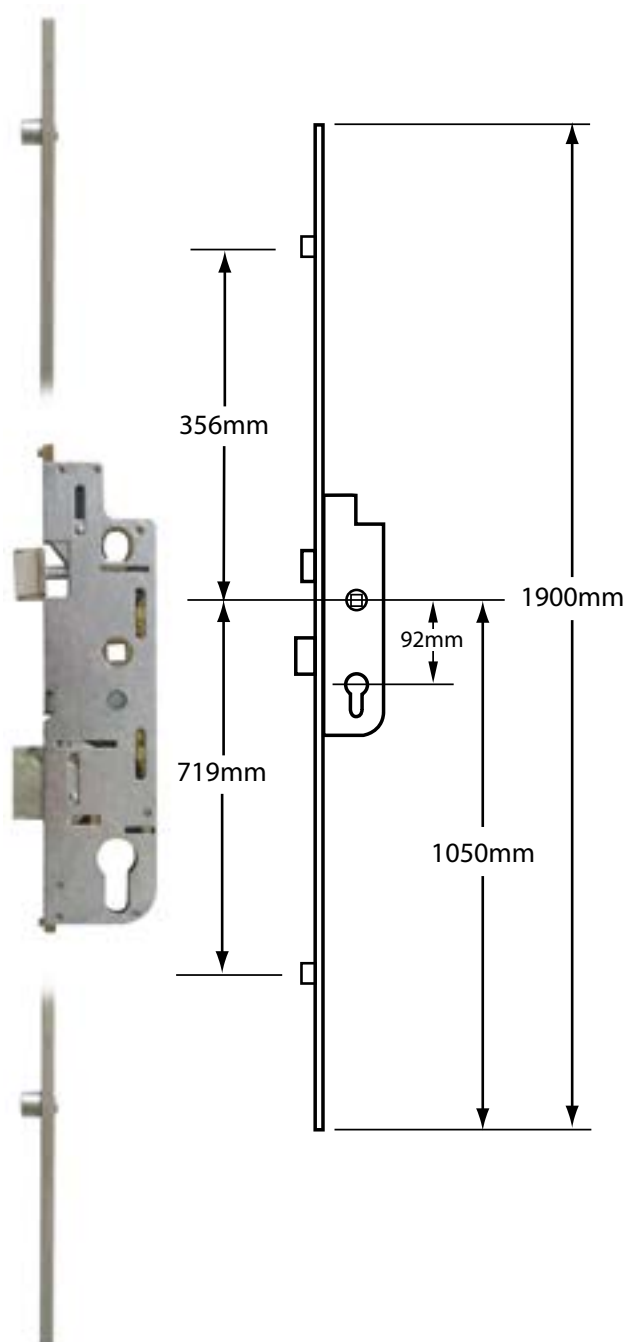


Product Code	Backset	Centres	Spindle	Centre Case	Mfr Ref.	Hooks
<b>L20579</b>	28mm	92mm	Split	Latch & Deadbolt	18206	2
<b>L20580</b>	35mm	92mm	Split	Latch & Deadbolt	18203	2

# GU Lever Operated Latch & Deadbolt Split Spindle Bottom Shoot Bolt - 2 Roller & Attachment for Top Shoot Bolt


**DISCONTINUED**

Door



## Features

- Euro Profile Lock Case
- Latch & Deadbolt
- Split Spindle
- 16mm Faceplate

## Operation

A - Lift lever to engage locking mechanisms and then one full turn of the cylinder to lock. One full turn of the key then push down on the lever to unlock.

## Notes

**Discontinued - Replace with L18366, some altering of keeps may be required. Or replace the gearbox L18761 Doormaster or L18289 old style copy.**

## Gearbox

ASEC GU Copy Lever Operated Latch & Deadbolt Old Style Gearbox

L18289 35/92



page  
27

## Associated Products

CHAMELEON Pro Adaptable Door Handle

CH30025 White  
CH30026 Silver  
CH30027 Polished Silver  
CH30028 Gold  
CH30068 Black



page  
312

FERCO E11637-00-0-3 Roller Keep

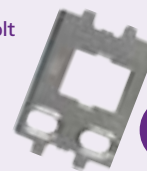
L14405 Roller Keep



page  
508

FUHR 42420355185 Single Shootbolt Keep

L18044 Shootbolt Keep



page  
509

GU 6-3001400 Centre Keep

L12049 LH  
L12050 RH



page  
453

Product Code	Backset	Centres	Spindle	Centre Case	Mfr Ref.	Rollers
L20581	35mm	92mm	Split	Latch & Deadbolt	1677629	2

# GU Lever Operated Latch & Deadbolt Split Spindle - 4 Roller



**DISCONTINUED**

## Features

- Euro Profile Lock Case
- Latch & Deadbolt
- Split Spindle
- 16mm Faceplate

## Operation

A - Lift lever to engage locking mechanisms and then one full turn of the cylinder to lock. One full turn of the key then push down on the lever to unlock.

## Notes

**Discontinued - Replace with L18365 Or replace the gearbox L18761 Doormaster or L18289 old style copy.**

## Gearbox

ASEC GU Copy Lever Operated Latch & Deadbolt Old Style Gearbox  
L18289 35/92



page  
27

## Associated Products

### CHAMELEON Pro Adaptable Door Handle

CH30025 White  
CH30026 Silver  
CH30027 Polished Silver  
CH30028 Gold  
CH30068 Black



page  
312

### ASEC 92 Lever/Lever UPVC Furniture - 220mm Backplate

L18404 Black  
L18405 Chrome  
L18406 Gold  
L18407 White



page  
322

### GU 6-3001400 Centre Keep

L12049 LH  
L12050 RH



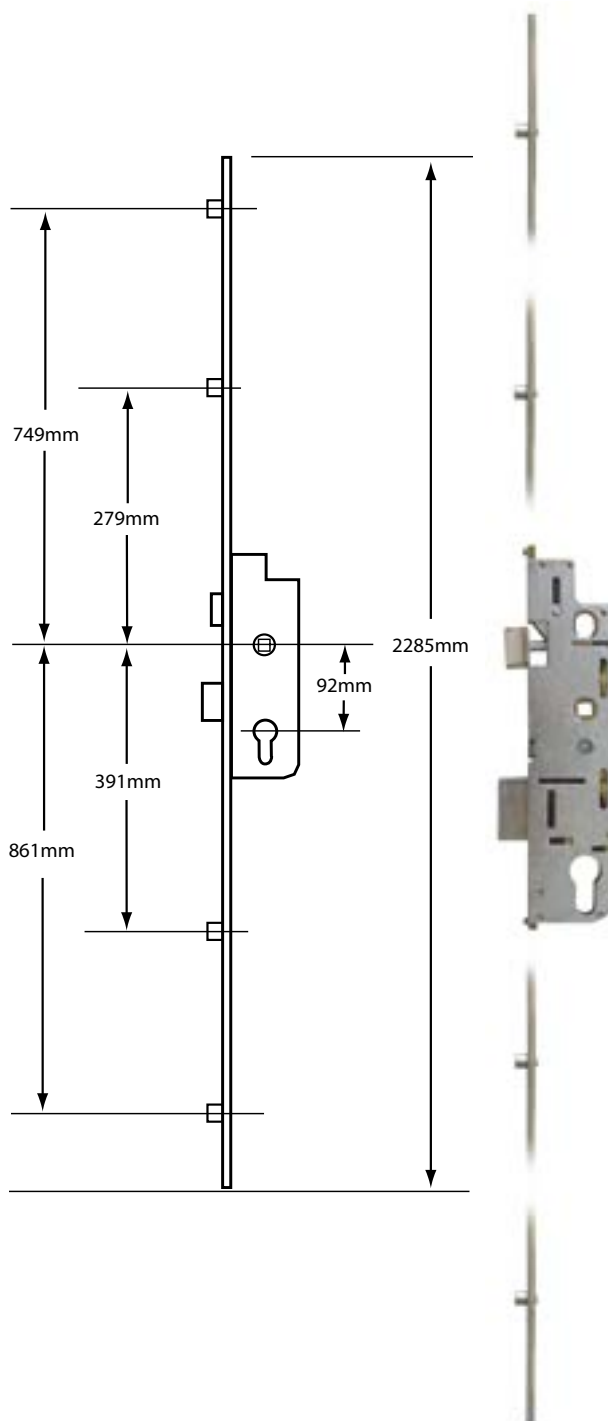
page  
453

### GU 9-379860003 Roller Keep

L12051 Roller Keep



page  
515



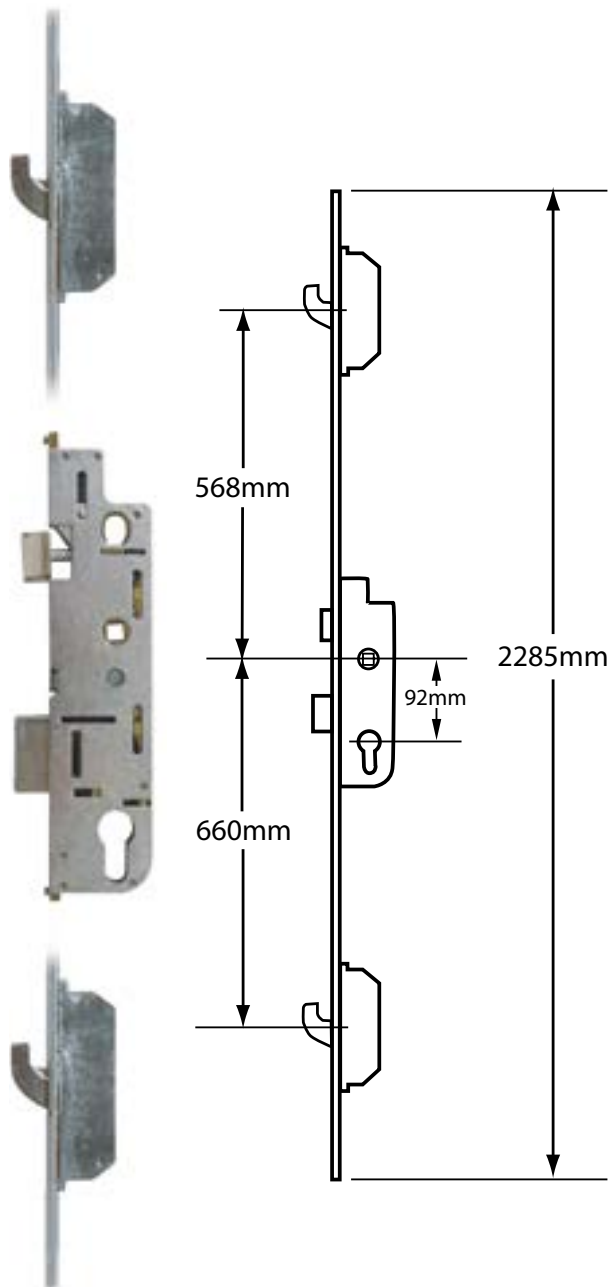
Product Code	Backset	Centres	Spindle	Centre Case	Mfr Ref.	Rollers
L20576	35mm	92mm	Split	Latch & Deadbolt	1964922	4



# GU Old Style Lever Operated Latch & Deadbolt - 2 Hook


**DISCONTINUED**

Door



## Features

- Euro Profile Lock Case
- Latch & Deadbolt
- Single Spindle
- 16mm Faceplate

## Operation

A - Lift lever to engage locking mechanisms and then one full turn of the cylinder to lock. One full turn of the key then push down on the lever to unlock.

## Notes

**This product has been discontinued by the manufacturer. Please use; L18761 or L18289.**

## Gearbox

### ASEC GU Copy Lever Operated Latch & Deadbolt Old Style Gearbox

L18289 35/92


 page  
27

## Associated Products

### CHAMELEON Pro Adaptable Door Handle

CH30025 White  
CH30026 Silver  
CH30027 Polished Silver  
CH30028 Gold  
CH30068 Black


 page  
312

### ASEC 92 Lever/Lever UPVC Furniture - 220mm Backplate

L18404 Black  
L18405 Chrome  
L18406 Gold  
L18407 White


 page  
322

### GU 6-3001400 Centre Keep

L12049 LH  
L12050 RH


 page  
453

### GU Deadbolt Keep

L15386 Deadbolt Keep


 page  
454

Product Code	Backset	Centres	Spindle	Centre Case	Mfr Ref.	Hooks
L20568	28mm	92mm	Single	Latch & Deadbolt	1834722	2
L20569	35mm	92mm	Single	Latch & Deadbolt	1834222	2

# GU Old Style Lever Operated Latch & Deadbolt - 4 Roller

**DISCONTINUED**



## Features

- Euro Profile Lock Case
- Latch & Deadbolt
- Single Spindle
- 16mm Faceplate

## Operation

A - Lift lever to engage locking mechanisms and then one full turn of the cylinder to lock. One full turn of the key then push down on the lever to unlock.

## Notes

**This product has been discontinued by the manufacturer. Please use L11747 for 28mm, L11748 for 35mm & L15618 for 48mm. 35mm gearbox use L18761 or L18289 Old Style Copy.**

## Gearbox

ASEC GU Copy Lever Operated Latch & Deadbolt Old Style Gearbox

L18289 35/92



page  
27

## Associated Products

CHAMELEON Pro Adaptable Door Handle

CH30025 White  
CH30026 Silver  
CH30027 Polished Silver  
CH30028 Gold  
CH30068 Black



page  
312

ASEC 92 Lever/Lever UPVC Furniture - 220mm Backplate

L18404 Black  
L18405 Chrome  
L18406 Gold  
L18407 White



page  
322

FERCO E11637-00-0-3 Roller Keep

L14405 Roller Keep



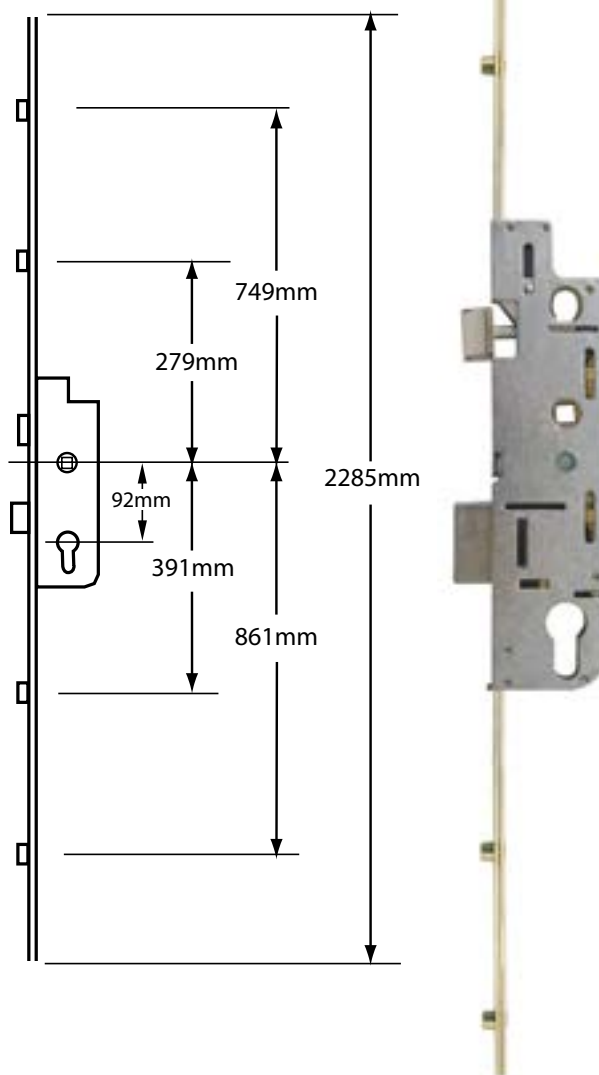
page  
508

GU 6-3001400 Centre Keep

L12049 LH  
L12050 RH

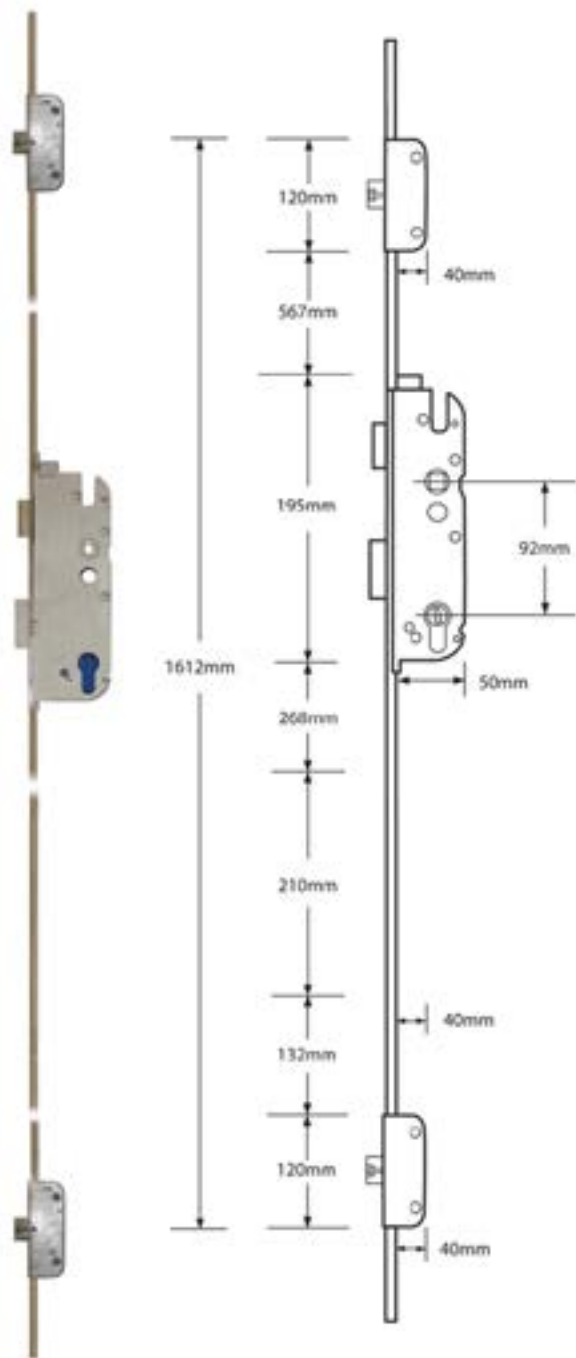


page  
453



Product Code	Backset	Centres	Spindle	Centre Case	Mfr Ref.	Rollers
L20560	28mm	92mm	Single	Latch & Deadbolt	1626222	4
L20561	35mm	92mm	Single	Latch & Deadbolt	1515522	4
L20562	45mm	92mm	Single	Latch & Deadbolt	6325800201	4

# GU Secury Auto A2 1050 Multipoint Lock - 2 Deadbolts



## Features

- Automatically locks when the door is closed
- Single spindle
- Euro profile lock case
- 16mm or 20mm wide faceplate
- Latch & deadbolt
- Keywind operation

## Overview

The GU Secury Automatic A2 1050 is a lever operated single spindle multipoint lock system with a Euro profile lock case and 92mm centres. This unit incorporates keywind operation and will lock automatically when the door is closed.

## Operation

The unit automatically locks when the door is closed, the centre case deadbolt only operates on turn of key. The unit unlocks on the turn of the key or the use of the inside lever.

## Associated Products

### CHAMELEON Pro Adaptable Door Handle

CH30025	White
CH30026	Silver
CH30027	Polished Silver
CH30028	Gold
CH30068	Black



page  
312

### ASEC Boxed Power Supply

AS9101 12VDC 2 Amp



page  
456

### GU Secury Automatic Universal Motor

L24347 K-18153-01-0-0



page  
457

### HOPPE Lever / Pad Fixing Plate

L16401 Lever Pad Fixing Plate



page  
385

For Keeps please refer to pages 453-455

Product Code	Backset	Centres	Spindle	Mfr Ref.	Deadbolts	Faceplate Width
L24348	35mm	92mm	Single	6-29037-31-01	2	16mm
L24334	45mm	92mm	Single	6-29041-31-0-1	2	16mm
L24335	45mm	92mm	Single	6-29042-31-0-1	2	20mm
L24336	55mm	92mm	Single	6-32258-CQ-0-1	2	20mm

# GU Security Auto A2 1770 Multipoint Lock - 2 Deadbolts



## Features

- Automatically locks when the door is closed
- Single spindle
- Euro profile lock case
- 20mm wide faceplate
- Latch & deadbolt
- Keywind operation

## Overview

The GU Security Automatic A2 1770 is a lever operated single spindle multipoint lock system with a Euro profile lock case, 92mm centres and a 20mm wide radius faceplate. This unit incorporates keywind operation and will lock automatically when the door is closed.

## Operation

The unit automatically locks when the door is closed, the centre case deadbolt only operates on turn of key. The unit unlocks on the turn of the key, the inside lever or supply of control voltage.

## Associated Products

### CHAMELEON Pro Adaptable Door Handle

CH30025	White
CH30026	Silver
CH30027	Polished Silver
CH30028	Gold
CH30068	Black



page  
312

### ASEC Boxed Power Supply

AS9101	12VDC 2 Amp
--------	-------------



page  
456

### GU Security Automatic Universal Motor

L24347	K-18153-01-0-0
--------	----------------



page  
457

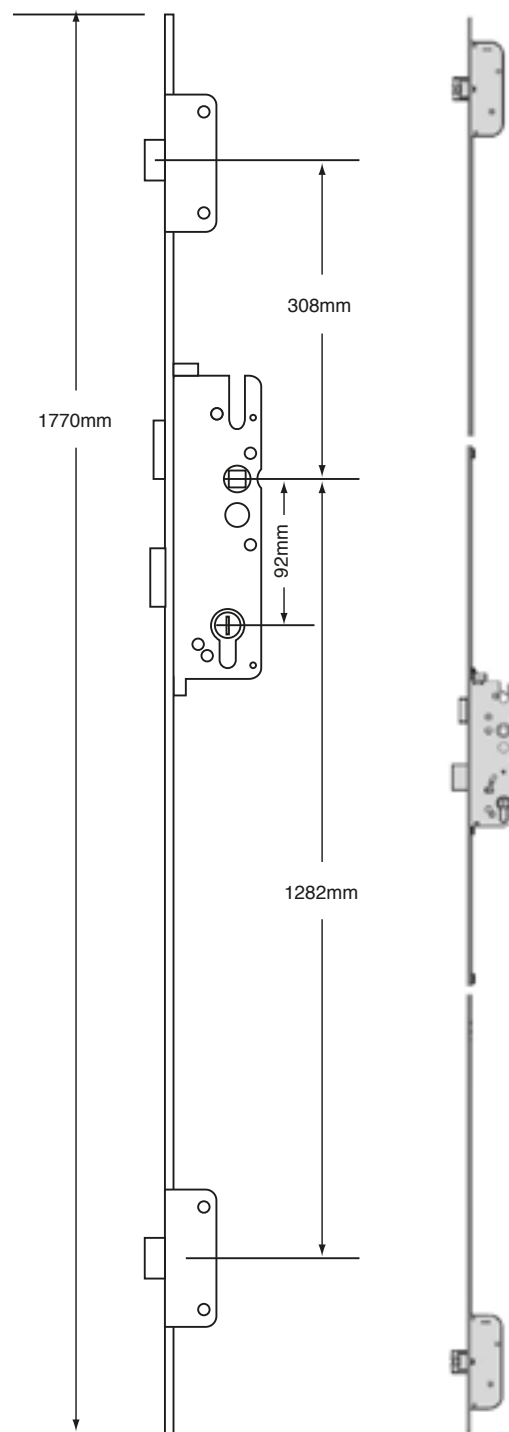
### HOPPE Lever / Pad Fixing Plate

L16401	Lever Pad Fixing Plate
--------	------------------------



page  
385

For Keeps please refer to pages 453-455

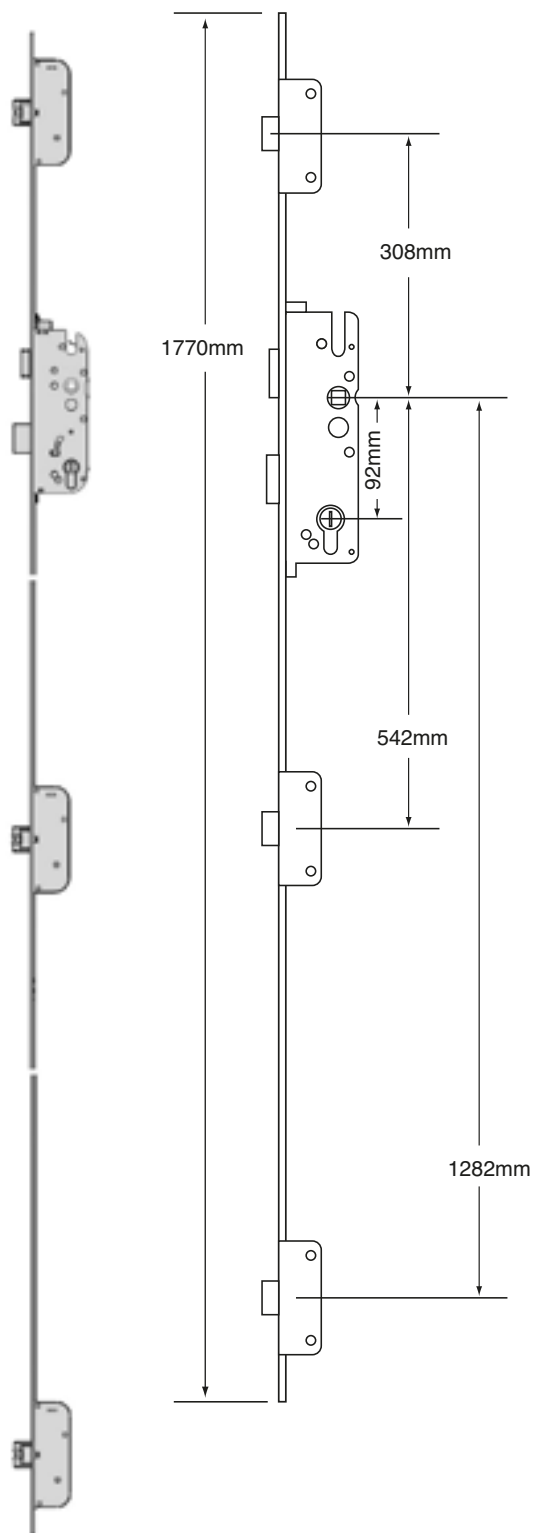


Door

Full Units - GU

Product Code	Backset	Centres	Spindle	Centre Case	Mfr Ref.	Deadbolts
L24332	35mm	92mm	Single	Latch & Deadbolt	6-37298-21-0-1	2
L24331	45mm	92mm	Single	Latch & Deadbolt	6-36037-44-0-1	2

# GU Secury Auto A3 1770 Multipoint Lock - 3 Deadbolts



## Features

- Automatically locks when the door is closed
- Single spindle
- Euro profile lock case
- 20mm wide faceplate
- Latch & deadbolt
- Keywind operation

## Overview

The GU Secury Automatic A3 1770 is a lever operated single spindle multipoint lock system with a Euro profile lock case, 92mm centres and a 20mm wide radius faceplate. This unit incorporates keywind operation and will lock automatically when the door is closed.

## Operation

The unit automatically locks when the door is closed, the centre case deadbolt only operates on turn of key. The unit unlocks on the turn of the key or the use of the inside lever.

## Associated Products

### CHAMELEON Pro Adaptable Door Handle

CH30025	White
CH30026	Silver
CH30027	Polished Silver
CH30028	Gold
CH30068	Black



page  
312

### ASEC Boxed Power Supply

AS9101	12VDC 2 Amp
--------	-------------



page  
456

### GU Secury Automatic Universal Motor

L24347	K-18153-01-0-0
--------	----------------



page  
457

### HOPPE Lever / Pad Fixing Plate

L16401	Lever Pad Fixing Plate
--------	------------------------



page  
385

For Keeps please refer to pages 453-455

Product Code	Backset	Centres	Spindle	Centre Case	Mfr Ref.	Deadbolts
L24333	35mm	92mm	Single	Latch & Deadbolt	6-36037-59-0-1	3
L24330	45mm	92mm	Single	Latch & Deadbolt	6-37298-20-0-1	3

# GU Security Europa 2R/2SH 1050 Multipoint Lock - 2 Hook 2 Roller

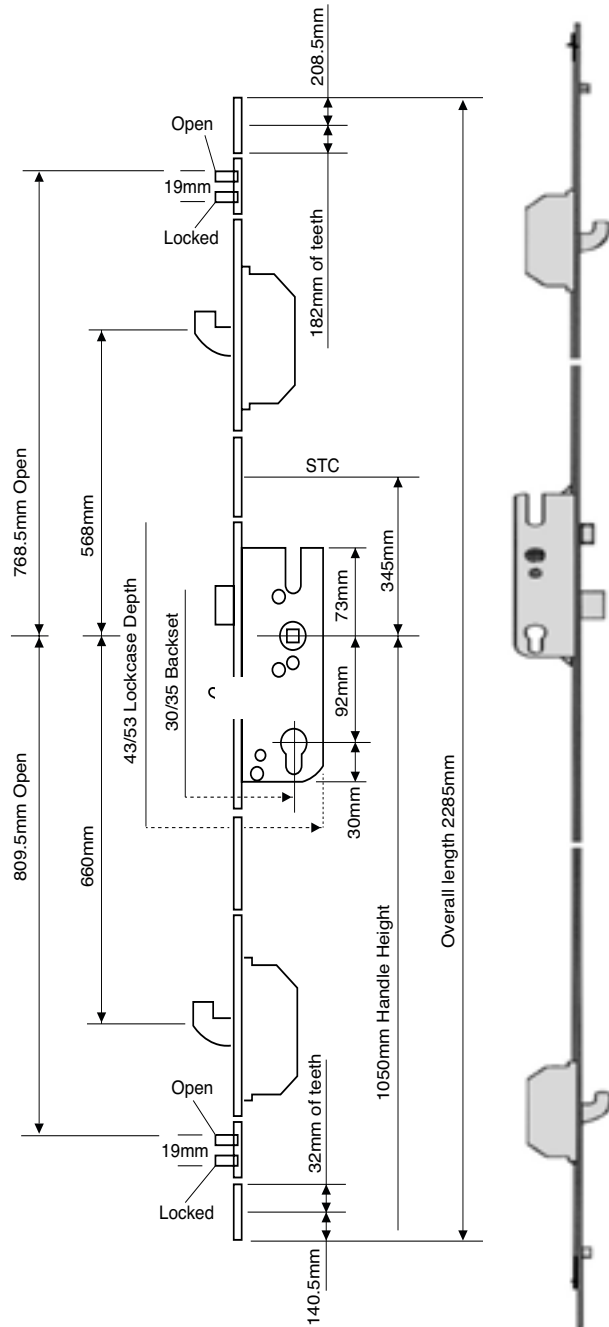


## Features

- 16mm wide faceplate
- Lever operated
- Euro profile lock case
- Latch & deadbolt
- Easy closing even when the door is warped

## Operation

A - Lift lever to engage locking mechanisms and then one full turn of the cylinder to lock. One full turn of the key then push down on the lever to unlock.



## Associated Products

### CHAMELEON Pro Adaptable Door Handle

- CH30025 White
- CH30026 Silver
- CH30027 Polished Silver
- CH30028 Gold
- CH30068 Black



page 312

### ASEC 92 Lever/Lever UPVC Furniture - 220mm Backplate

- L18404 Black
- L18405 Chrome
- L18406 Gold
- L18407 White



page 322

### GU Security Europa Full Length Keep - 2 Hook 2 Roller

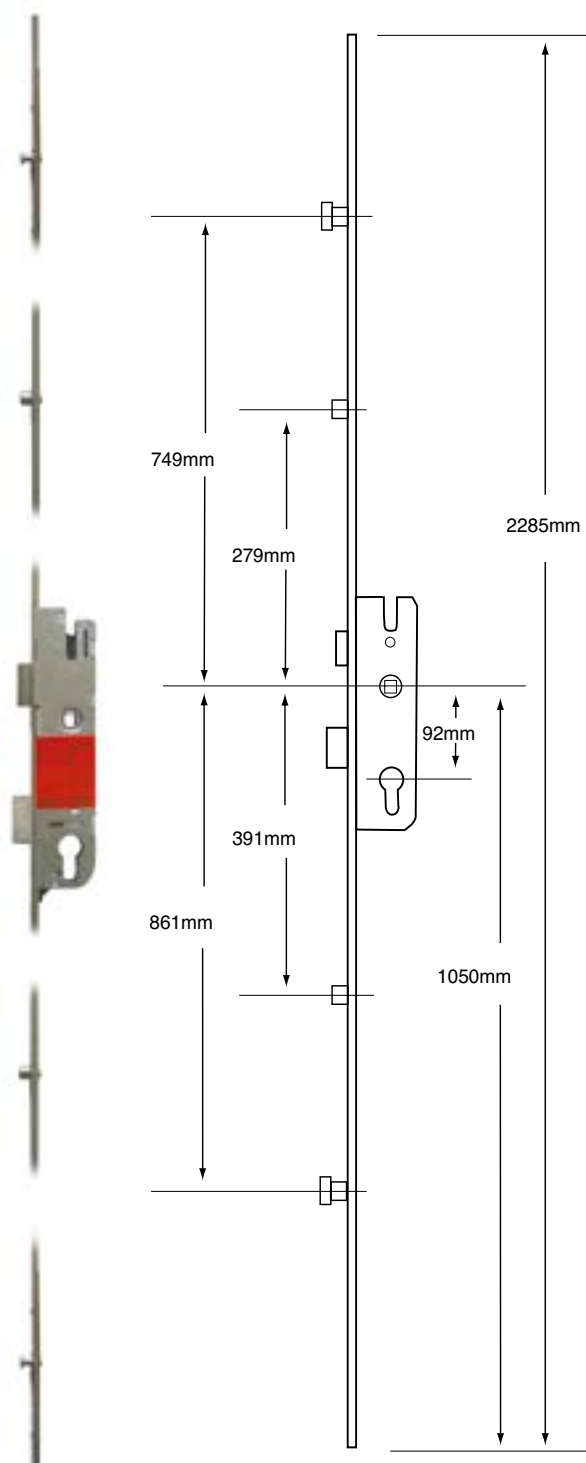
- L24339 LH Standard L-10000-17-L-1
- L24340 RH Standard L-10000-17-R-1
- L24341 LH Short L-10000-15-L-1
- L24342 RH Short L-10000-15-R-1



page 513

Product Code	Backset	Centres	Spindle	Centre Case	Mfr Ref.	Hooks	Rollers	To suit
L24338	35mm	92mm	Single	Latch & Deadbolt	6-32602-08-0-1	2	2	French Doors - Short
L24337	35mm	92mm	Single	Latch & Deadbolt	6-32602-02-0-1	2	2	UPVC Doors - Standard

# GU Secury Europa Lever Operated Latch & Deadbolt - 2 Roller 2 Mushroom



## Features

- Euro Profile Lock Case
- Latch & Deadbolt
- Single Spindle
- 16mm Faceplate

## Operation

A - Lift lever to engage locking mechanisms and then one full turn of the cylinder to lock. One full turn of the key then push down on the lever to unlock.

## Gearbox

### GU Lever Operated Latch & Deadbolt - Centre Case

L16216	28/92
L16227	35/92



page  
36

## Associated Products

### CHAMELEON Pro Adaptable Door Handle

CH30025	White
CH30026	Silver
CH30027	Polished Silver
CH30028	Gold
CH30068	Black



page  
312

### FERCO E11637-00-0-3 Roller Keep

L14405	Roller Keep
--------	-------------



page  
508

### GU 6-3001400 Centre Keep

L12049	LH
L12050	RH



page  
453

### GU 9-379860003 Roller Keep

L12051	Roller Keep
--------	-------------



page  
515

Product Code	Backset	Centres	Spindle	Centre Case	Mfr Ref.	Mushrooms	Rollers
L18373	28mm	92mm	Single	Latch & Deadbolt	6 32771 01 0 1	2	2
L18372	35mm	92mm	Single	Latch & Deadbolt	6 32770 01 0 1	2	2

# GU Security Europa Lever Operated Latch & Deadbolt Single Spindle - 4 Roller



## Features

- 16mm Faceplate
- This lock can be extended with Shootbolts
- Euro Profile Lock Case
- Latch & Deadbolt
- Single Spindle

## Overview

The GU Security Europa is a lever operated single spindle multipoint lock system with a Euro profile lock case, 35mm backset, 92mm centres, a 16mm wide faceplate and 4 rollers.

## Operation

A - Lift lever to engage locking mechanisms and then one full turn of the cylinder to lock. One full turn of the key then push down on the lever to unlock.

## Gearbox

### GU Lever Operated Latch & Deadbolt - Centre Case

L16227 35/92



page  
36

## Associated Products

### CHAMELEON Pro Adaptable Door Handle

CH30025 White  
CH30026 Silver  
CH30027 Polished Silver  
CH30028 Gold  
CH30068 Black



page  
312

### ASEC 92 Lever/Lever UPVC Furniture - 220mm Backplate

L18404 Black  
L18405 Chrome  
L18406 Gold  
L18407 White



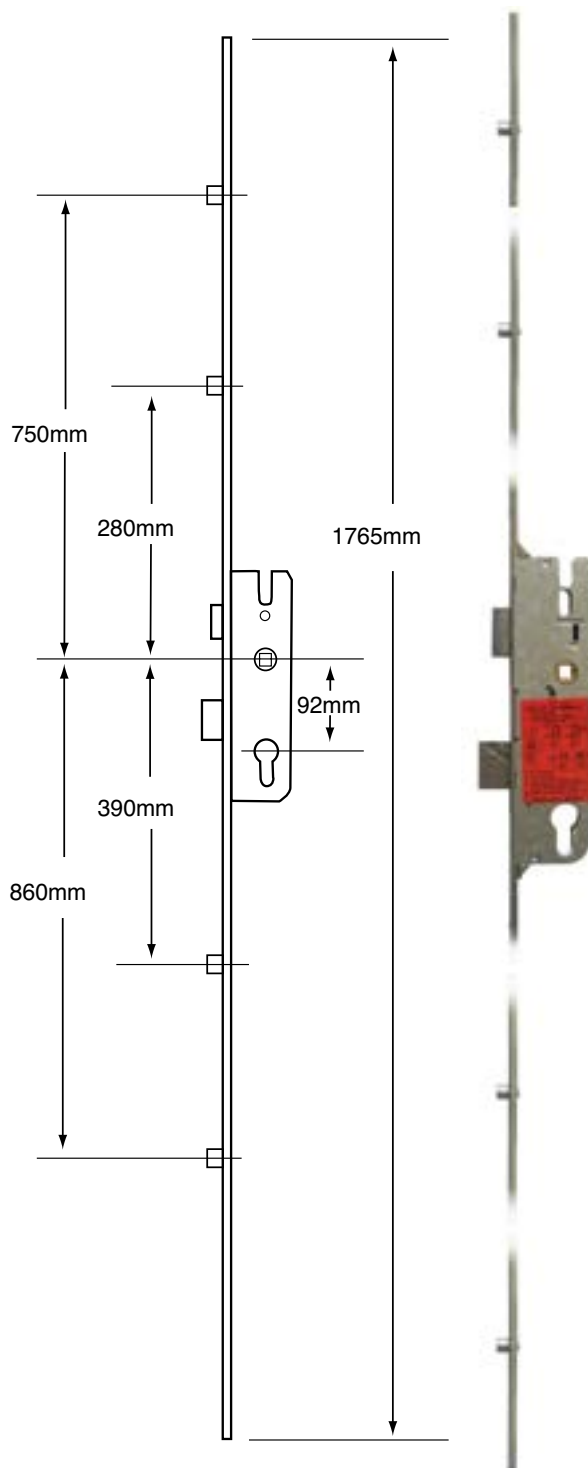
page  
322

### GU 6-3001400 Centre Keep

L12049 LH  
L12050 RH



page  
453



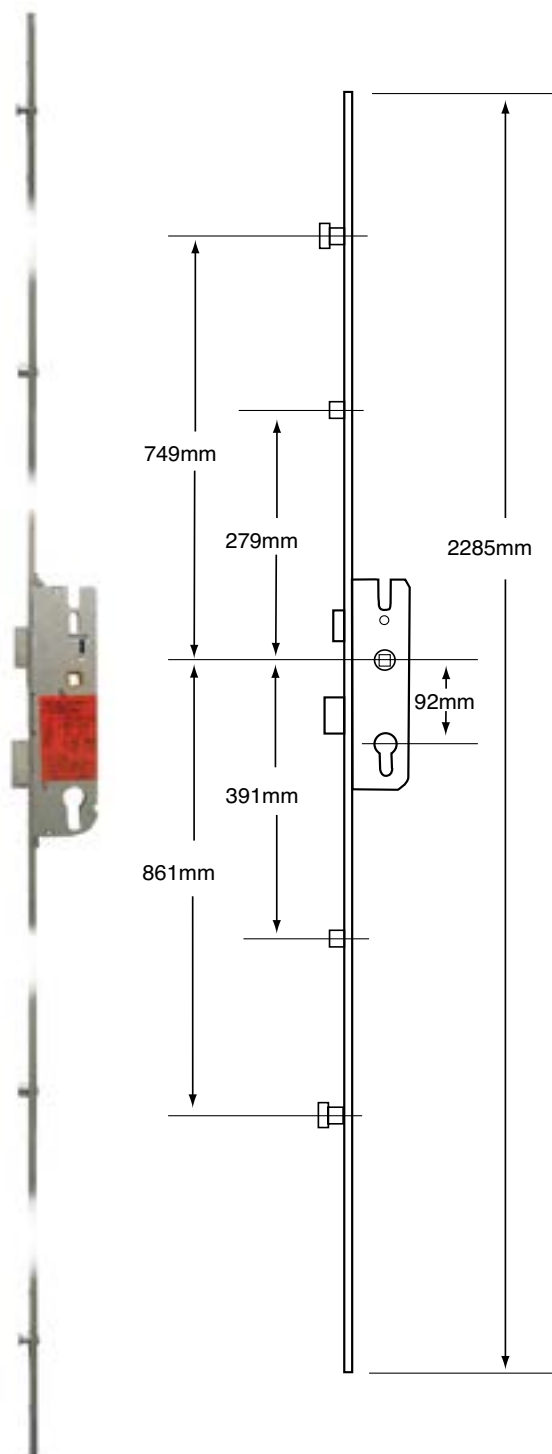
Product Code	Backset	Centres	Spindle	Centre Case	Mfr Ref.	Rollers
L24329	35mm	92mm	Single	Latch & Deadbolt	6 32258 20 0 1	4



# GU Secury Europa Lever Operated Latch & Deadbolt Split Spindle - 2 Roller 2 Mushroom



Door



## Features

- Euro Profile Lock Case
- Latch & Deadbolt
- Split Spindle
- 16mm Faceplate
- Lift lever or split spindle nightlatch function

## Operation

A - Lift lever to engage locking mechanisms and then one full turn of the cylinder to lock. One full turn of the key then push down on the lever to unlock.

## Gearbox

GU Lever Operated Latch & Deadbolt  
Gearbox with Split Spindle

L21827 35/92



page  
36

## Associated Products

CHAMELEON Pro Adaptable Door Handle

CH30025 White  
CH30026 Silver  
CH30027 Polished Silver  
CH30028 Gold  
CH30068 Black



page  
312

GU 6-3001400 Centre Keep

L12049 LH  
L12050 RH



page  
453

GU 9-379860003 Roller Keep

L12051 Roller Keep



page  
515

GU 9-379870003 Mushroom Keep

L12052 Mushroom Keep



page  
515

Product Code	Backset	Centres	Spindle	Centre Case	Mfr Ref.	Mushrooms	Rollers
L18369	35mm	92mm	Split	Latch & Deadbolt	6 32772 01 0 1	2	2

# GU Security Europa R4 Lever Operated Latch & Deadbolt Split Spindle - 4 Roller



## Features

- Euro Profile Lock Case
- Latch & Deadbolt
- Split Spindle
- 16mm Faceplate
- This lock can be extended with Shootbolts

## Overview

The GU Security Europa R4 is a lever operated split spindle multipoint lock system with a Euro profile lock case, 35mm backset, 92mm centres, a 16mm wide faceplate and 4 rollers..

## Operation

A - Lift lever to engage locking mechanisms and then one full turn of the cylinder to lock. One full turn of the key then push down on the lever to unlock.

## Gearbox

### GU Lever Operated Latch & Deadbolt Gearbox with Split Spindle

L21827 35/92



page  
36

## Associated Products

### CHAMELEON Pro Adaptable Door Handle

CH30025 White  
CH30026 Silver  
CH30027 Polished Silver  
CH30028 Gold  
CH30068 Black



page  
312

### ASEC 92 Lever/Lever UPVC Furniture - 220mm Backplate

L18404 Black  
L18405 Chrome  
L18406 Gold  
L18407 White



page  
322

### GU 6-3001400 Centre Keep

L12049 LH  
L12050 RH



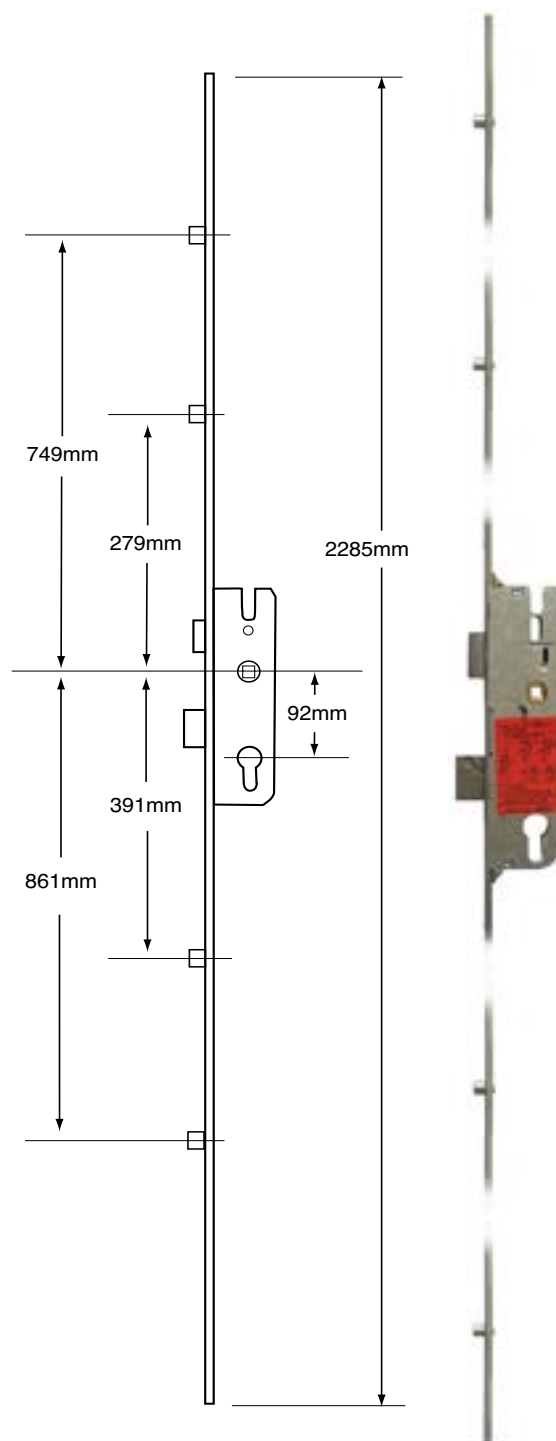
page  
453

### GU 9-379860003 Roller Keep

L12051 Roller Keep

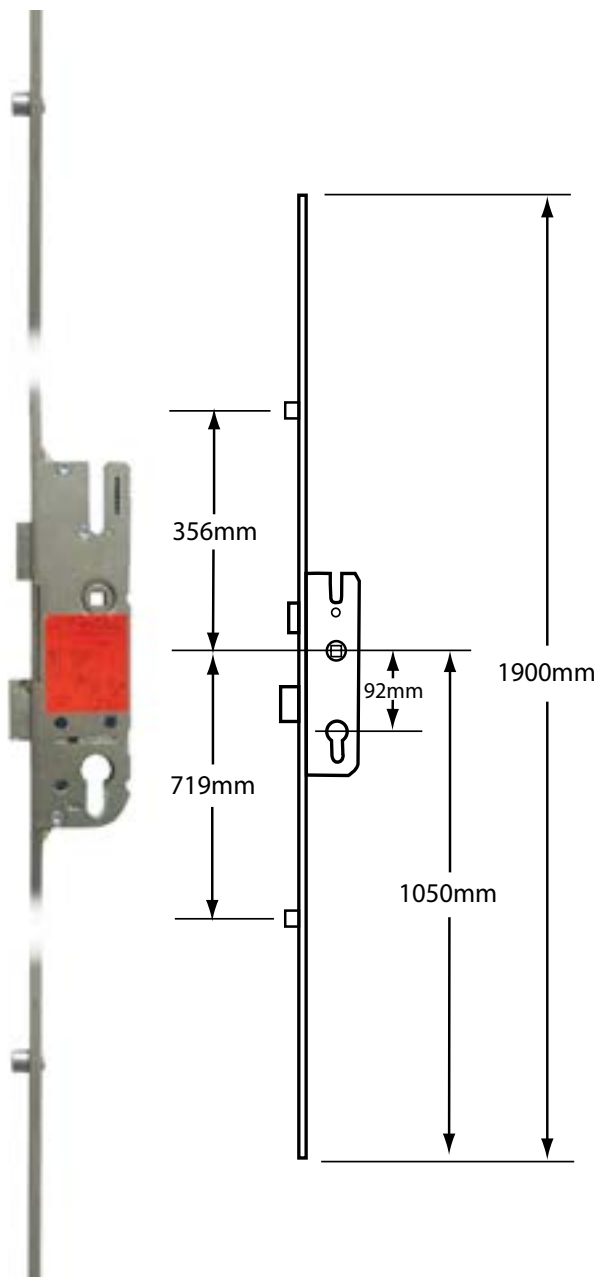


page  
515



Product Code	Backset	Centres	Spindle	Centre Case	Mfr Ref.	Rollers
L18365	35mm	92mm	Split	Latch & Deadbolt	6 32694 01 0 1	4

# GU Security Lever Operated Latch & Deadbolt 1 Shoot Bolt - 2 Roller



## Features

- Euro Profile Lock Case
- Latch & Deadbolt
- Bottom Shoot Bolt Attached
- Split Spindle
- 16mm Faceplate

## Operation

A - Lift lever to engage locking mechanisms and then one full turn of the cylinder to lock. One full turn of the key then push down on the lever to unlock.

## Gearbox

GU Lever Operated Latch & Deadbolt  
Gearbox with Split Spindle  
L21827 35/92



page  
36

## Associated Products

### CHAMELEON Pro Adaptable Door Handle

CH30025 White  
CH30026 Silver  
CH30027 Polished Silver  
CH30028 Gold  
CH30068 Black



page  
312

### ASEC 92 Lever/Lever UPVC Furniture - 220mm Backplate

L18404 Black  
L18405 Chrome  
L18406 Gold  
L18407 White



page  
322

### FERCO E11637-00-0-3 Roller Keep

L14405 Roller Keep



page  
508

### FUHR 42420355185 Single Shootbolt Keep

L18044 Shootbolt Keep



page  
509

### GU 6-3001400 Centre Keep

L12049 LH  
L12050 RH



page  
453

Product Code	Backset	Centre Case	Spindle	Centres	Mfr Ref.	Rollers
L18366	35mm	Latch & Deadbolt	Split	92mm	6 32688 02 0 1	2

# GU Security Lever Operated Latch & Deadbolt Attachment For Shoot Bolts - 2 Roller



## Features

- Euro Profile Lock Case
- Latch & Deadbolt
- Single Spindle
- 16mm Faceplate

## Operation

A - Lift lever to engage locking mechanisms and then one full turn of the cylinder to lock. One full turn of the key then push down on the lever to unlock.

## Notes

This lock can be extended with Shootbolts.

## Gearbox

### GU Lever Operated Latch & Deadbolt - Centre Case

L16216 28/92  
L16227 35/92



page  
36

## Associated Products

### CHAMELEON Pro Adaptable Door Handle

CH30025 White  
CH30026 Silver  
CH30027 Polished Silver  
CH30028 Gold  
CH30068 Black



page  
312

### ASEC 92 Lever/Lever UPVC Furniture - 220mm Backplate

L18404 Black  
L18405 Chrome  
L18406 Gold  
L18407 White



page  
322

### FERCO E11637-00-0-3 Roller Keep

L14405 Roller Keep



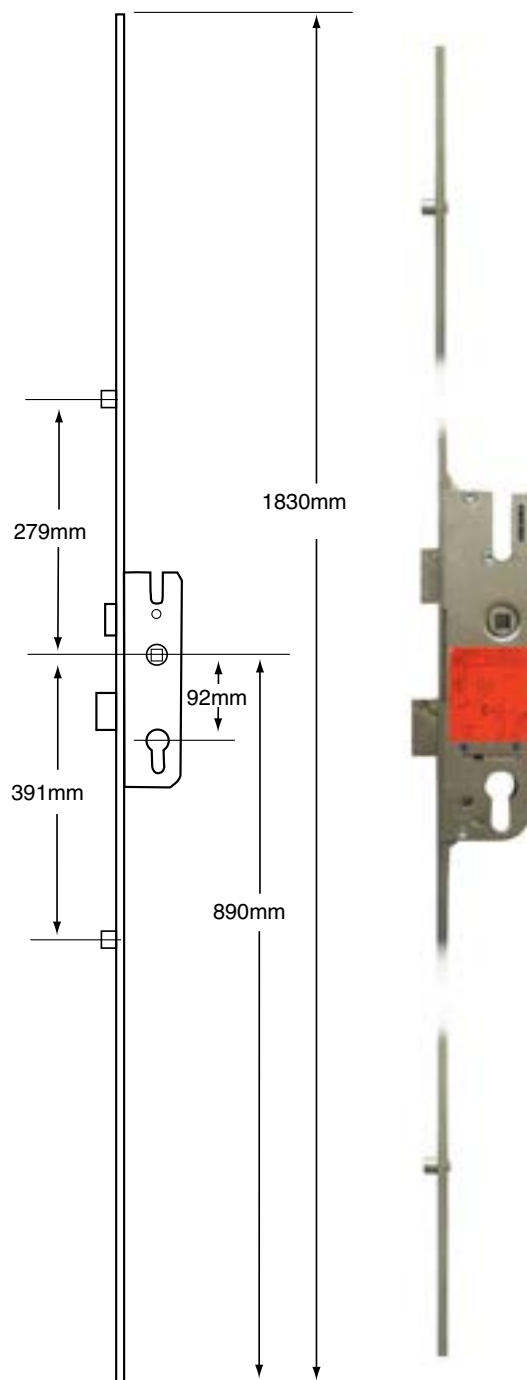
page  
508

### GU 6-3001400 Centre Keep

L12049 LH  
L12050 RH



page  
453

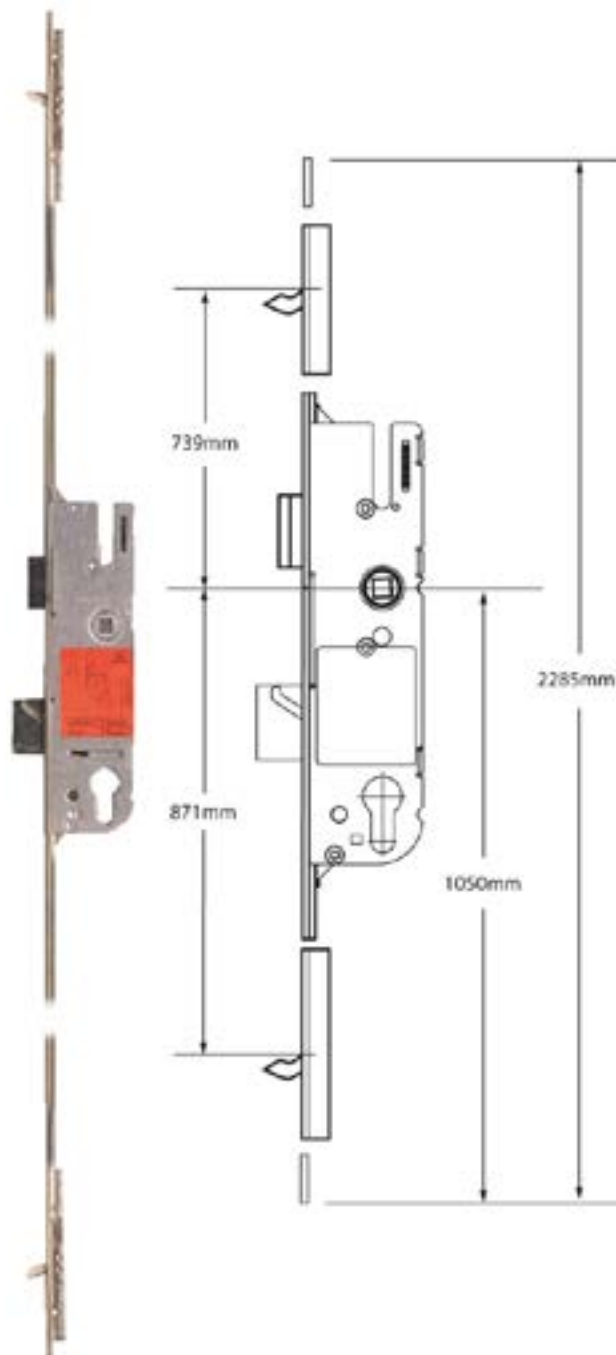


Product Code	Backset	Centres	Spindle	Centre Case	Mfr Ref.	Rollers
L18368	28mm	92mm	Single	Latch & Deadbolt	6 32687 01 0 1	2
L18367	35mm	92mm	Single	Latch & Deadbolt	6 32686 01 0 1	2

# GU Tripact Lever Operated Latch & Deadbolt - 2 Small Hook



Door



## Features

- Euro Profile Lock Case
- Latch & Deadbolt
- Single Spindle
- 16mm Faceplate

## Operation

A - Lift lever to engage locking mechanisms and then one full turn of the cylinder to lock. One full turn of the key then push down on the lever to unlock.

## Gearbox

### GU Lever Operated Latch & Deadbolt - Centre Case

L16227	35/92
L24733	40/92
L23582	45/92

page  
36

## Associated Products

### CHAMELEON Pro Adaptable Door Handle

CH30025	White
CH30026	Silver
CH30027	Polished Silver
CH30028	Gold
CH30068	Black

page  
312

### ASEC 92 Lever/Lever UPVC Furniture - 220mm Backplate

L18404	Black
L18405	Chrome
L18406	Gold
L18407	White

page  
322

### GU 6-3001400 Centre Keep

L12049	LH
L12050	RH

page  
453

### GU Hook Bolt Keep

L15385	Hook Bolt Keep
--------	----------------

page  
516

Product Code	Backset	Centres	Spindle	Centre Case	Mfr Ref.	Hooks
L15351	35mm	92mm	Single	Latch & Deadbolt	6 32480 03 01	2
L15341	40mm	92mm	Single	Latch & Deadbolt	6 32480 04 01	2
L15342	45mm	92mm	Single	Latch & Deadbolt	6 32480 05 01	2

# KENRICK Excalibur Lever Operated Latch & Hook Bolt Twin Spindle - 2 Hook 3 Roller



## Features

- Euro Profile Lock Case
- Latch & Hook Bolt
- Twin Spindle
- 16mm Faceplate

## Operation

A - Lift lever to engage locking mechanisms and then one full turn of the cylinder to lock. One full turn of the key then push down on the lever to unlock

## Gearbox

KENRICK Lever Operated Latch &  
Hookbolt Gearbox with Twin Spindle  
L21821 35/92-62



page  
37

## Associated Products

### CHAMELEON Pro Adaptable Door Handle

CH30025 White  
CH30026 Silver  
CH30027 Polished Silver  
CH30028 Gold  
CH30068 Black



page  
312

### ASEC 92 Lever/Lever UPVC Furniture - 220mm Backplate

L18404 Black  
L18405 Chrome  
L18406 Gold  
L18407 White



page  
322

### GU 6-3001400 Centre Keep

L12049 LH  
L12050 RH



page  
453

### GU 9-379860003 Roller Keep

L12051 Roller Keep



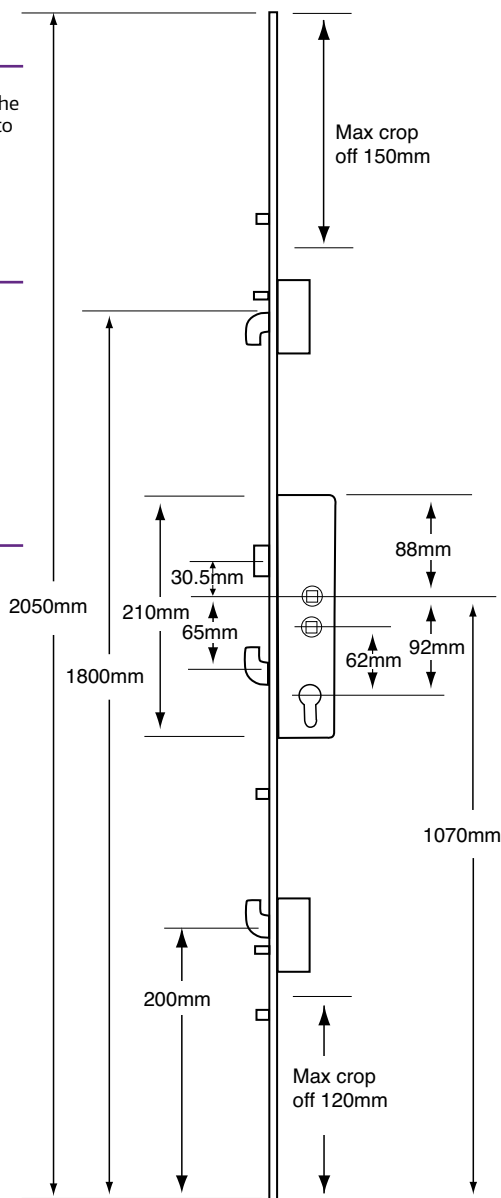
page  
515

### GU Hook Bolt Keep

L15385 Hook Bolt Keep



page  
516

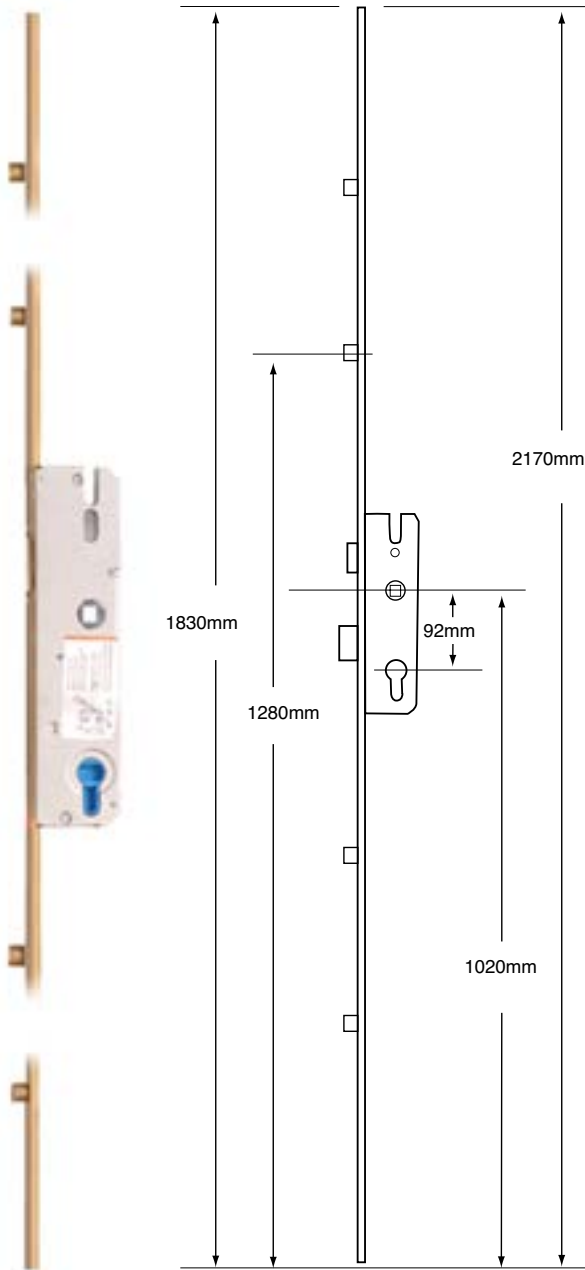


Product Code	Centres	Spindle	Backset	Centre Case	Mfr Ref.	Anti Lift	Hooks	Rollers
L18374	92/62mm	Twin	35mm	Latch & Hook Bolt	EXDL33	2	2	3

# KFV Key Operated Latch & Deadbolt - 4 Roller



Door



## Features

- Euro Profile Lock Case
- Latch & Deadbolt
- Keywind Operation
- 16mm Faceplate

## Operation

A - Lift lever to engage locking mechanisms and then one full turn of the cylinder to lock. One full turn of the key then push down on the lever to unlock

## Gearbox

### KFV Key Operated Latch & Deadbolt Gearbox

L21825	35/92
L21826	45/92

page  
38

## Associated Products

### CHAMELEON Pro Adaptable Door Handle

CH30025	White
CH30026	Silver
CH30027	Polished Silver
CH30028	Gold
CH30068	Black

page  
312

### FERCO E11637-00-0-3 Roller Keep

L14405	Roller Keep
--------	-------------

page  
508

### GU 6-3001400 Centre Keep

L12049	LH
L12050	RH

page  
453

### GU 9-379860003 Roller Keep

L12051	Roller Keep
--------	-------------

page  
515

Product Code	Backset	Centres	Spindle	Centre Case	Mfr Ref.	Rollers
L15602	25mm	92mm	Single	Latch & Deadbolt	AS8250 25	4
L15601	35mm	92mm	Single	Latch & Deadbolt	AS8250 35	4
L15605	45mm	92mm	Single	Latch & Deadbolt	AS8250 45	4

# KFV Lever Operated Latch & Deadbolt - 2 Hook



**DISCONTINUED**

## Features

- Euro Profile Lock Case
- Latch & Deadbolt
- Single Spindle
- 16mm Faceplate

## Operation

A - Lift lever to engage locking mechanisms and then one full turn of the cylinder to lock. One full turn of the key then push down on the lever to unlock.

## Notes

**Discontinued - Use CH10579 for 35mm and CH10581 for 45mm.**

## Gearbox

### KFV Lever Operated Latch & Deadbolt Gearbox

L21823	35/92
L21824	45/92



page  
38

## Associated Products

### CHAMELEON Pro Adaptable Door Handle

CH30025	White
CH30026	Silver
CH30027	Polished Silver
CH30028	Gold
CH30068	Black



page  
312

### GU 6-3001400 Centre Keep

L12049	LH
L12050	RH



page  
453

### GU Deadbolt Keep

L15386	Deadbolt Keep
--------	---------------



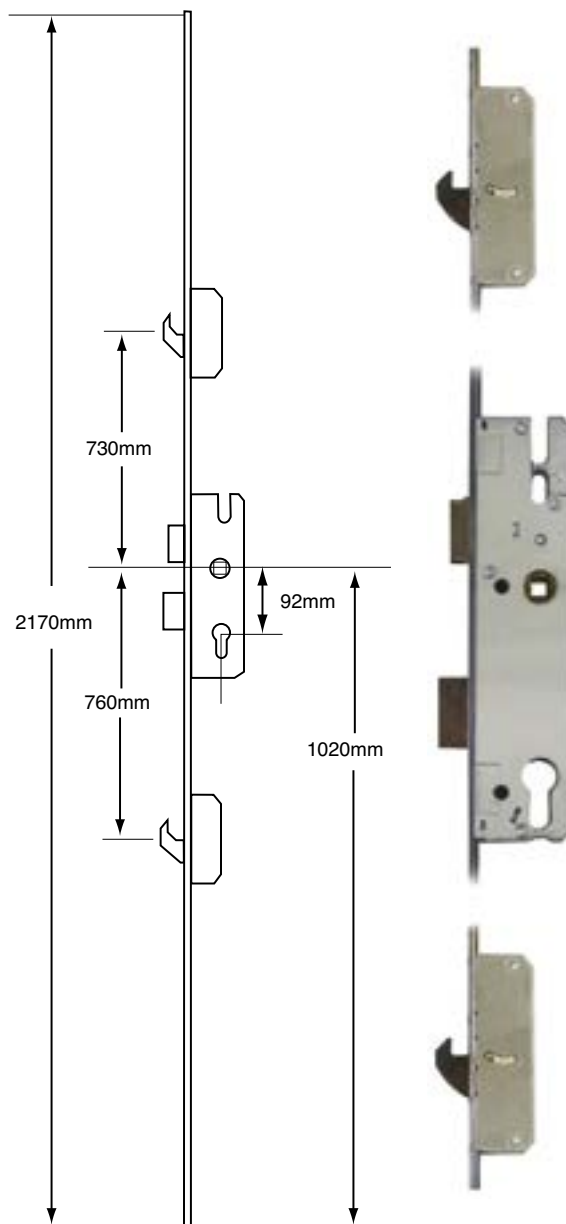
page  
454

### GU Hook Bolt Keep

L15385	Hook Bolt Keep
--------	----------------



page  
516



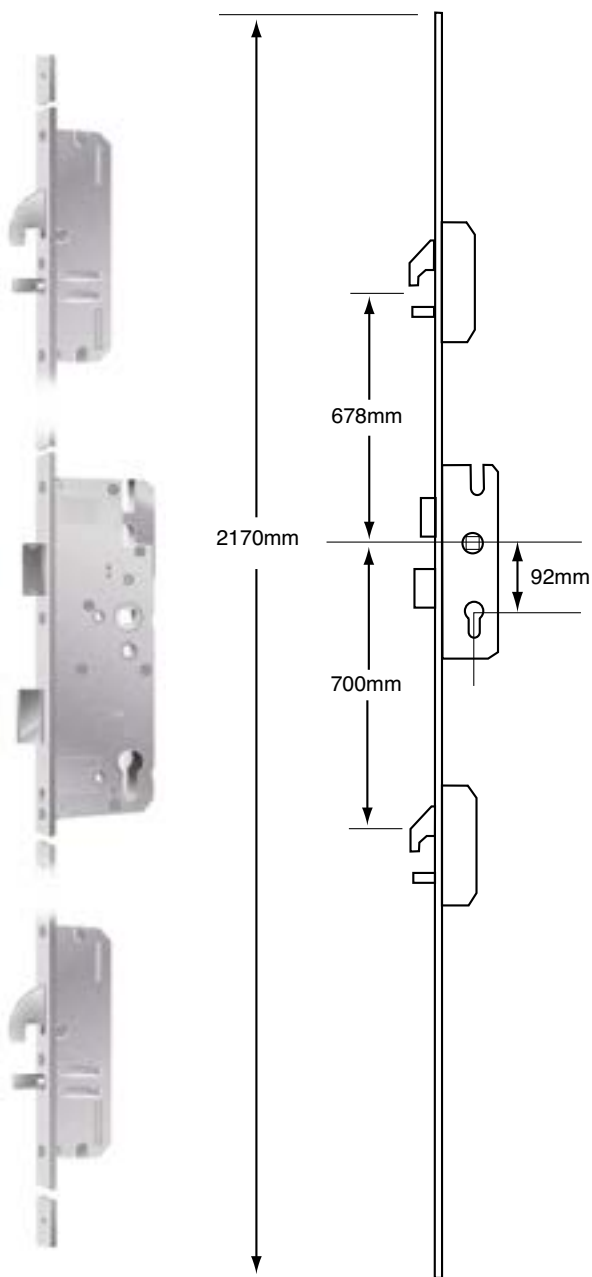
Product Code	Backset	Centres	Spindle	Centre Case	Mfr Ref.	Hooks
<b>L20610</b>	35mm	92mm	Single	Latch & Deadbolt	490035	2
<b>L20607</b>	45mm	92mm	Single	Latch & Deadbolt	797045	2



# KFV Lever Operated Latch & Deadbolt - 2 Pin 2 Hook


**DISCONTINUED**

Door



## Features

- Euro Profile Lock Case
- Latch & Deadbolt
- Single Spindle
- 16mm Faceplate

## Operation

A - Lift lever to engage locking mechanisms and then one full turn of the cylinder to lock. One full turn of the key then push down on the lever to unlock.

## Notes

**Discontinued - It is possible to replace with L15353, some alteration of keeps maybe required**

## Gearbox

### KFV Lever Operated Latch & Deadbolt Gearbox

L21823 35/92


 page  
38

## Associated Products

### CHAMELEON Pro Adaptable Door Handle

CH30025 White  
CH30026 Silver  
CH30027 Polished Silver  
CH30028 Gold  
CH30068 Black


 page  
312

### FERCO E11639-00-0-3 Latch Keep

L14406 Latch Keep


 page  
508

### GU 6-3001400 Centre Keep

L12049 LH  
L12050 RH


 page  
453

### GU Deadbolt Keep

L15386 Deadbolt Keep


 page  
454

Product Code	Backset	Centres	Spindle	Centre Case	Mfr Ref.	Pins	Hooks
L20616	35mm	92mm	Single	Latch & Deadbolt	460035	2	2

# KFV Lever Operated Latch & Deadbolt - 2 Pin 2 Hook & Attachment for Shoot Bolts



**DISCONTINUED**

## Features

- Euro Profile Lock Case
- Latch & Deadbolt
- Single Spindle
- 16mm Faceplate

## Operation

A - Lift lever to engage locking mechanisms and then one full turn of the cylinder to lock. One full turn of the key then push down on the lever to unlock.

## Notes

**Discontinued - It is possible to replace with L17416, some alteration of keeps maybe required**

## Gearbox

KFV Lever Operated Latch & Deadbolt  
Gearbox

L21823 35/92



page  
38

## Associated Products

CHAMELEON Pro Adaptable Door Handle

CH30025 White  
CH30026 Silver  
CH30027 Polished Silver  
CH30028 Gold  
CH30068 Black



page  
312

ASEC 92 Lever/Lever UPVC Furniture -  
220mm Backplate

L18404 Black  
L18405 Chrome  
L18406 Gold  
L18407 White



page  
322

GU 6-3001400 Centre Keep

L12049 LH  
L12050 RH



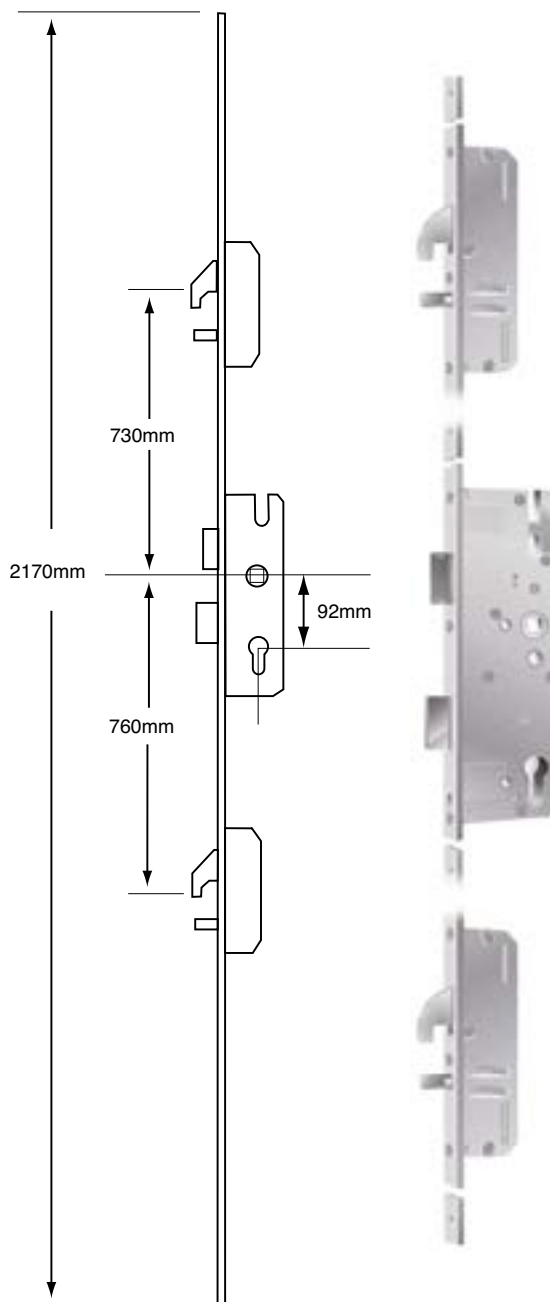
page  
453

GU Deadbolt Keep

L15386 Deadbolt Keep

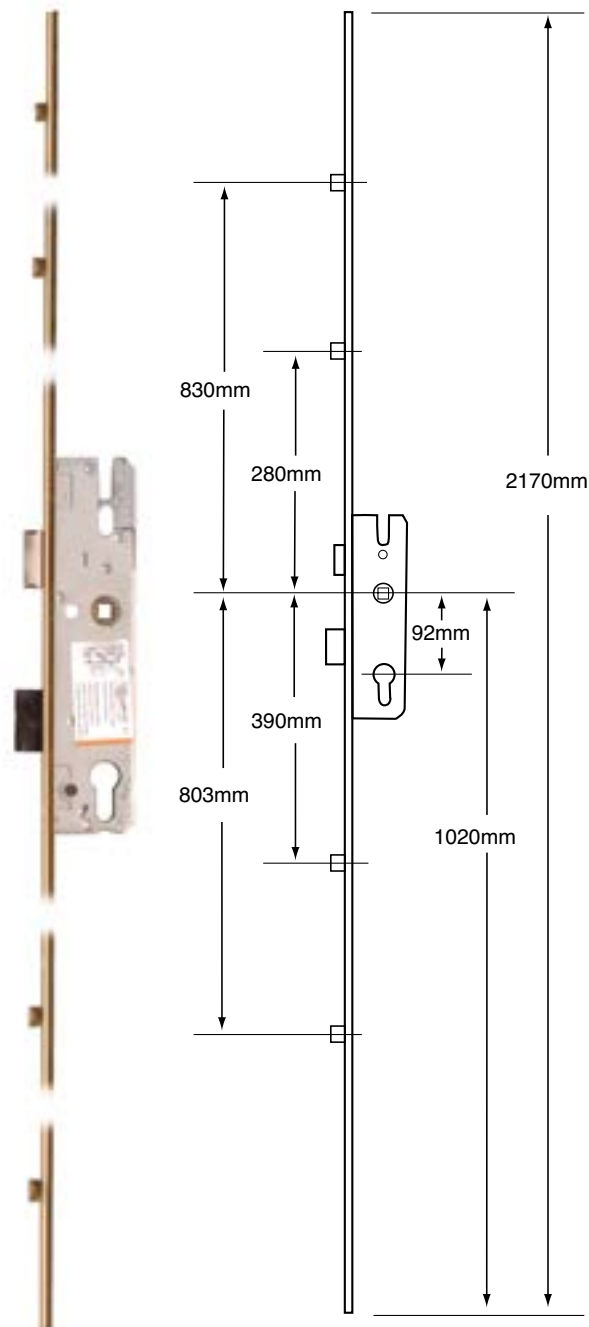


page  
454



Product Code	Backset	Centres	Spindle	Centre Case	Mfr Ref.	Pins	Hooks
L20617	35mm	92mm	Single	Latch & Deadbolt	767035	2	2

# KFV Lever Operated Latch & Deadbolt - 4 Roller



## Features

- Euro Profile Lock Case
- Latch & Deadbolt
- Single Spindle
- 16mm Faceplate

## Operation

A - Lift lever to engage locking mechanisms and then one full turn of the cylinder to lock. One full turn of the key then push down on the lever to unlock

## Gearbox

### KFV Lever Operated Latch & Deadbolt Gearbox

L21823 35/92



page  
38

## Associated Products

### CHAMELEON Pro Adaptable Door Handle

CH30025 White  
CH30026 Silver  
CH30027 Polished Silver  
CH30028 Gold  
CH30068 Black



page  
312

### FERCO E11637-00-0-3 Roller Keep

L14405 Roller Keep



page  
508

### GU 6-3001400 Centre Keep

L12049 LH  
L12050 RH



page  
453

### GU 9-379860003 Roller Keep

L12051 Roller Keep



page  
515

Product Code	Backset	Centres	Spindle	Centre Case	Mfr Ref.	Rollers
L11763	30mm	92mm	Single	Latch & Deadbolt	AS4050 30	4
L11764	35mm	92mm	Single	Latch & Deadbolt	AS4050 35	4

# KFV Lever Operated Latch & Deadbolt "U" Rail - 4 Roller



## Features

- Euro Profile Lock Case
- Latch & Deadbolt
- Single Spindle
- 24mm "U" Rail Faceplate

## Operation

A - Lift lever to engage locking mechanisms and then one full turn of the cylinder to lock. One full turn of the key then push down on the lever to unlock

## Gearbox

### KFV Lever Operated Latch & Deadbolt Gearbox

L21823 35/92



page  
38

## Associated Products

### CHAMELEON Pro Adaptable Door Handle

CH30025 White  
CH30026 Silver  
CH30027 Polished Silver  
CH30028 Gold  
CH30068 Black



page  
312

### ASEC 92 Lever/Lever UPVC Furniture - 220mm Backplate

L18404 Black  
L18405 Chrome  
L18406 Gold  
L18407 White



page  
322

### FERCO E11637-00-0-3 Roller Keep

L14405 Roller Keep



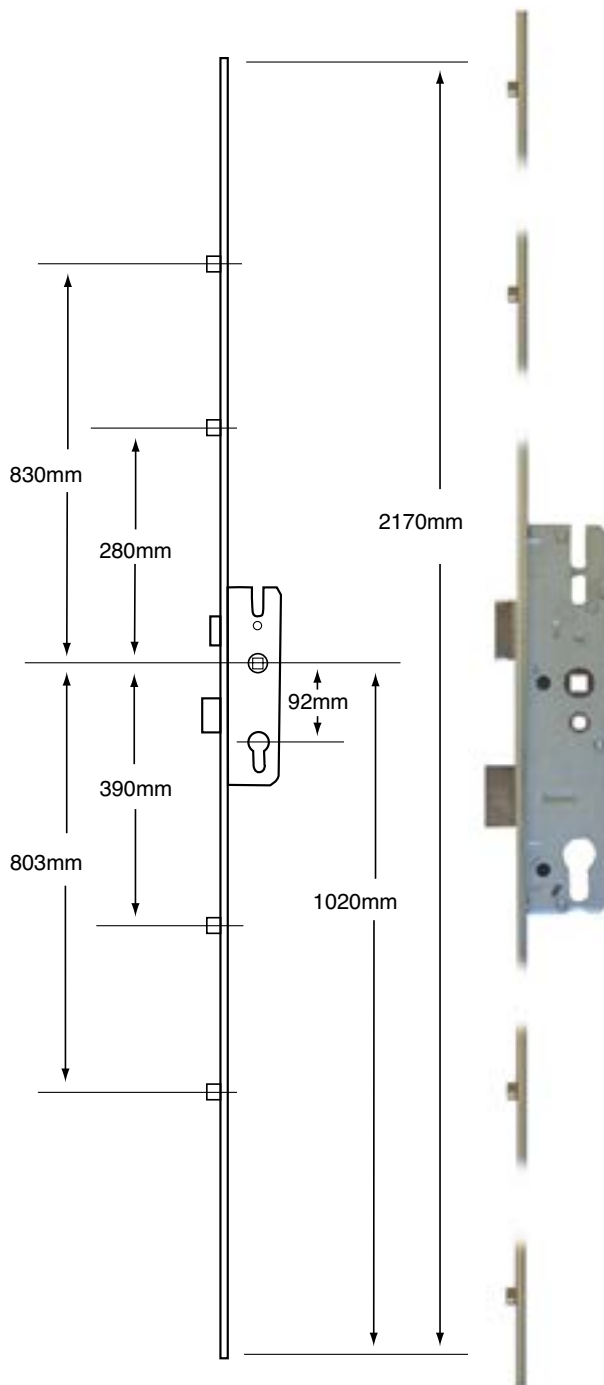
page  
508

### GU 6-3001400 Centre Keep

L12049 LH  
L12050 RH

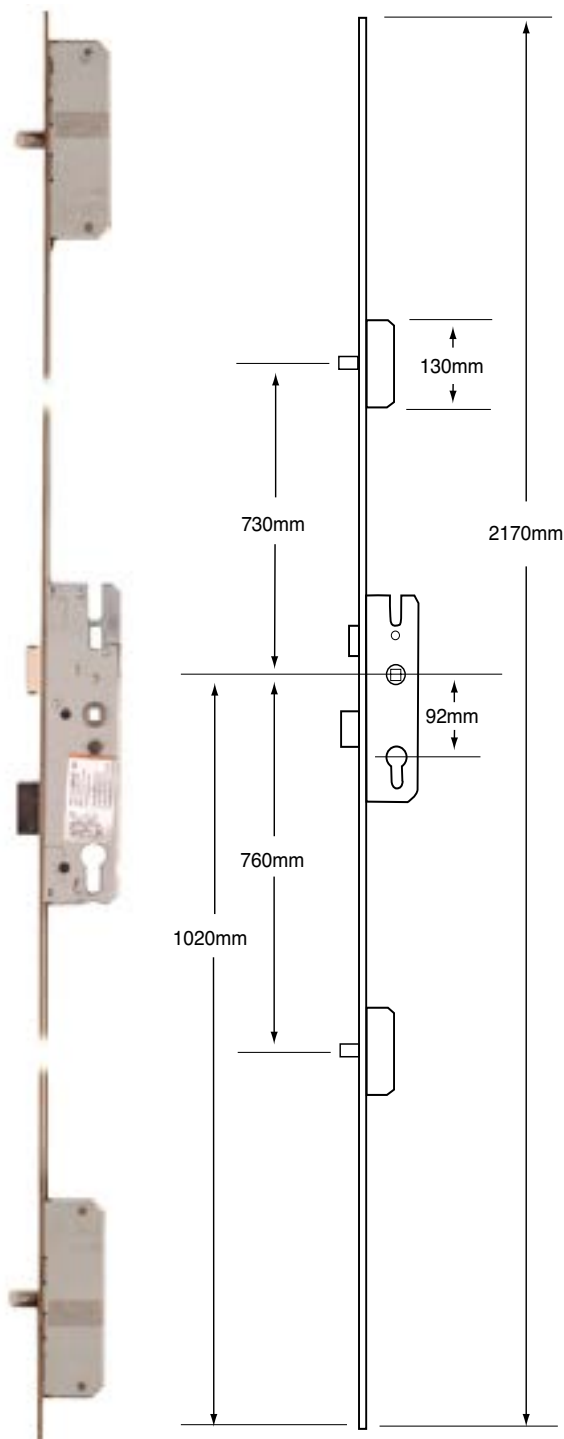


page  
453



Product Code	Backset	Centres	Spindle	Centre Case	Mfr Ref.	Rollers
L15604	35mm	92mm	Single	Latch & Deadbolt	AS4050 35	4

# KFV Lever Operated Latch & Deadbolt Long Version - 2 Round Bolt



## Features

- Euro Profile Lock Case
- Latch & Deadbolt
- Single Spindle
- 16mm Faceplate

## Operation

A - Lift lever to engage locking mechanisms and then one full turn of the cylinder to lock. One full turn of the key then push down on the lever to unlock.

## Gearbox

### KFV Lever Operated Latch & Deadbolt Gearbox

L21823	35/92
L21824	45/92



page  
38

## Associated Products

### CHAMELEON Pro Adaptable Door Handle

CH30025	White
CH30026	Silver
CH30027	Polished Silver
CH30028	Gold
CH30068	Black



page  
312

### ASEC 92 Lever/Lever UPVC Furniture - 220mm Backplate

L18404	Black
L18405	Chrome
L18406	Gold
L18407	White



page  
322

### GU 6-3001400 Centre Keep

L12049	LH
L12050	RH



page  
453

### GU Deadbolt Keep

L15386	Deadbolt Keep
--------	---------------



page  
454

Product Code	Backset	Centres	Spindle	Centre Case	Mfr Ref.	Round Bolts
L15603	35mm	92mm	Single	Latch & Deadbolt	AS4350 35	2
L17418	45mm	92mm	Single	Latch & Deadbolt	AS4350 45	2

# KFV Lever Operated Latch & Deadbolt Short Version - 2 Hook



## Features

- Euro Profile Lock Case
- Latch & Deadbolt
- Single Spindle
- 16mm Faceplate

## Operation

A - Lift lever to engage locking mechanisms and then one full turn of the cylinder to lock. One full turn of the key then push down on the lever to unlock.

## Gearbox

KFV Lever Operated Latch & Deadbolt Gearbox

L21823 35/92



page  
38

## Associated Products

CHAMELEON Pro Adaptable Door Handle

CH30025 White  
CH30026 Silver  
CH30027 Polished Silver  
CH30028 Gold  
CH30068 Black



page  
312

ASEC 92 Lever/Lever UPVC Furniture -  
220mm Backplate

L18404 Black  
L18405 Chrome  
L18406 Gold  
L18407 White



page  
322

GU 6-3001400 Centre Keep

L12049 LH  
L12050 RH



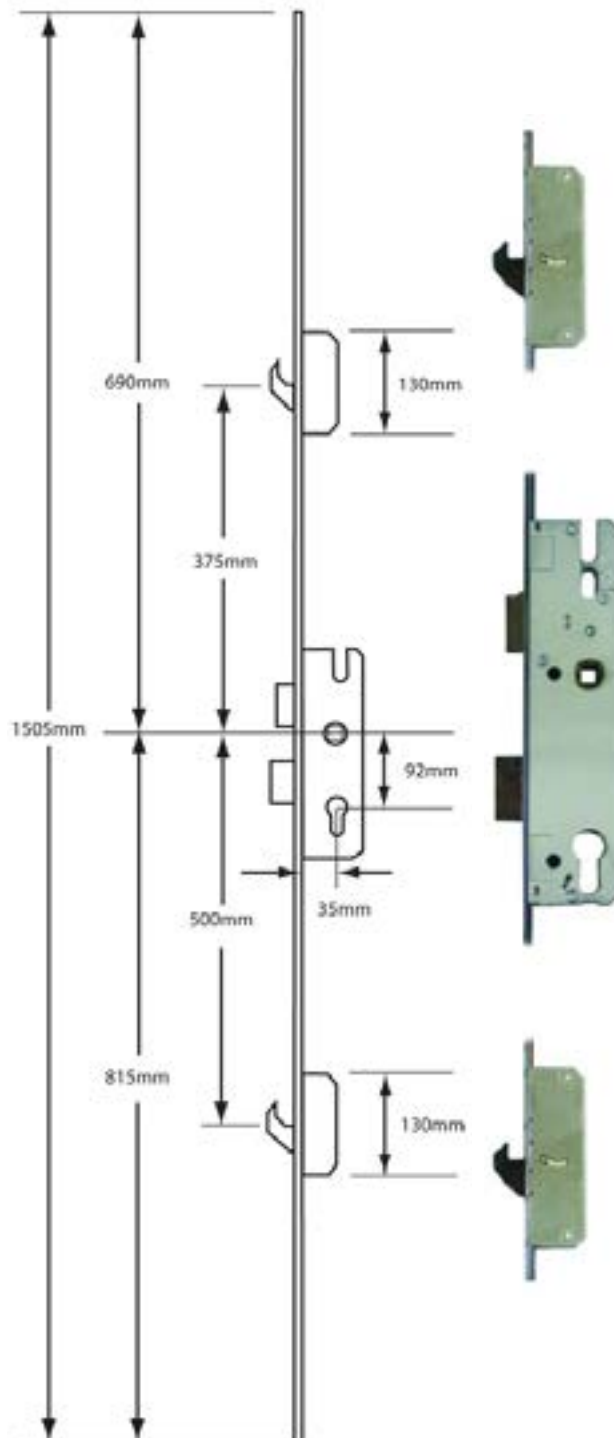
page  
453

GU Hook Bolt Keep

L15385 Hook Bolt Keep

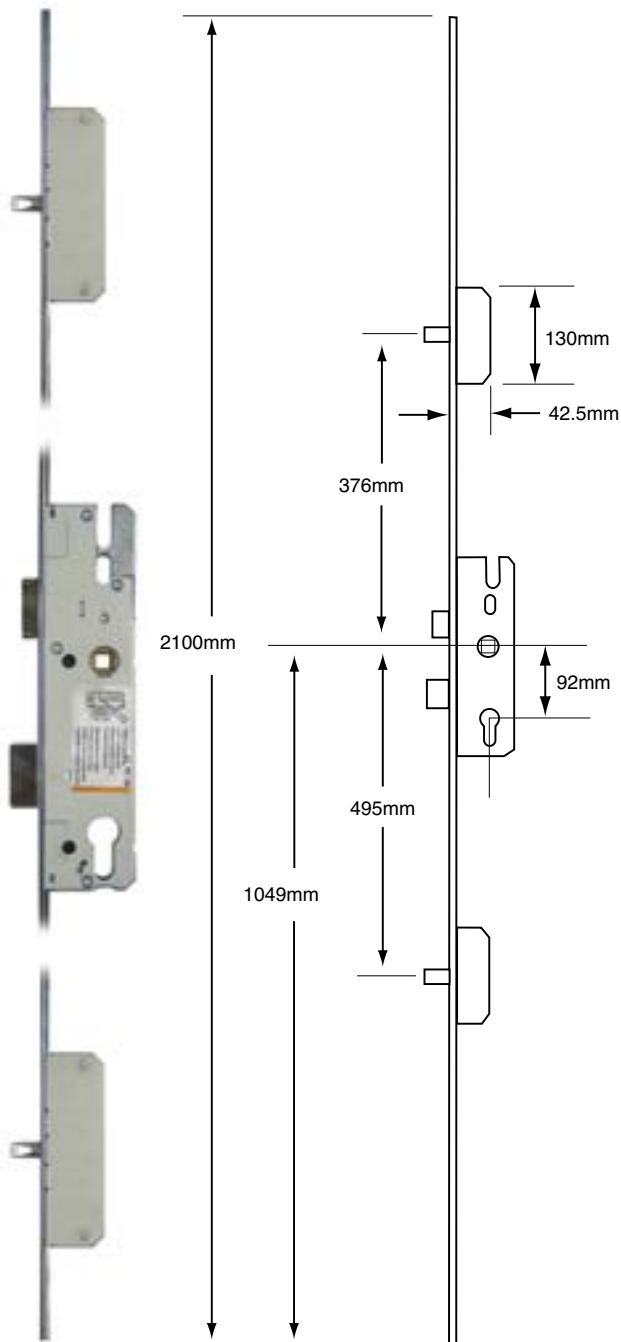


page  
516



Product Code	Backset	Centres	Spindle	Centre Case	Mfr Ref.	Hooks
L17417	35mm	92mm	Single	Latch & Deadbolt	AS7970	2

# KFV Lever Operated Latch & Deadbolt Short Version - 2 Round Bolt



## Features

- Euro Profile Lock Case
- Latch & Deadbolt
- Single Spindle
- 16mm Faceplate

## Operation

A - Lift lever to engage locking mechanisms and then one full turn of the cylinder to lock. One full turn of the key then push down on the lever to unlock.

## Gearbox

### KFV Lever Operated Latch & Deadbolt Gearbox

L21823 35/92



page 38

## Associated Products

### CHAMELEON Pro Adaptable Door Handle

- CH30025 White
- CH30026 Silver
- CH30027 Polished Silver
- CH30028 Gold
- CH30068 Black



page 312

### ASEC 92 Lever/Lever UPVC Furniture - 220mm Backplate

- L18404 Black
- L18405 Chrome
- L18406 Gold
- L18407 White



page 322

### GU 6-3001400 Centre Keep

- L12049 LH
- L12050 RH



page 453

### GU Deadbolt Keep

- L15386 Deadbolt Keep



page 454

Product Code	Backset	Centres	Spindle	Centre Case	Mfr Ref.	Round Bolts
L17416	35mm	92mm	Single	Latch & Deadbolt	AS7370	2

# LOCKMASTER Lever Operated Latch & Deadbolt - 2 Hook 2 Anti-Lift 2 Roller

92 35 LOCKMASTER

## Features

- Euro Profile Lock Case
- Latch & Deadbolt
- Single Spindle
- 16mm Faceplate

## Operation

A - Lift lever to engage locking mechanisms and then one full turn of the cylinder to lock. One full turn of the key then push down on the lever to unlock.

## Gearbox

YALE Doormaster Lever Operated Latch & Deadbolt Single Spindle Gearbox To Suit Lockmaster

L18758 35/92



page  
53

## Associated Products

CHAMELEON Pro Adaptable Door Handle

CH30025 White  
CH30026 Silver  
CH30027 Polished Silver  
CH30028 Gold  
CH30068 Black



page  
312

ASEC 92 Lever/Lever UPVC Furniture - 220mm Backplate

L18404 Black  
L18405 Chrome  
L18406 Gold  
L18407 White



page  
322

ASEC 92 Lever/Lever UPVC Furniture - 240mm Backplate

L18398 Chrome  
L18399 Gold  
L18400 White



page  
323

LOCKMASTER Centre Keep

L15393 LH  
L15394 RH



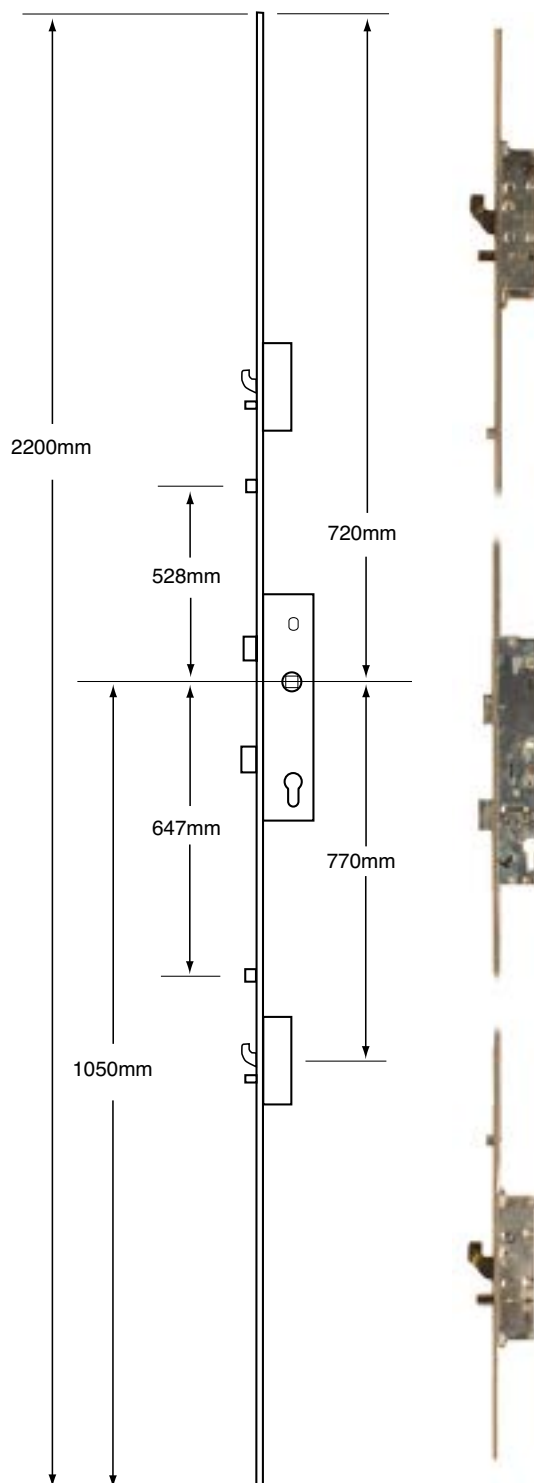
page  
501

LOCKMASTER 1 Hook & 1 Roller Anti-Lift Keeps

L21687 Pair



page  
517



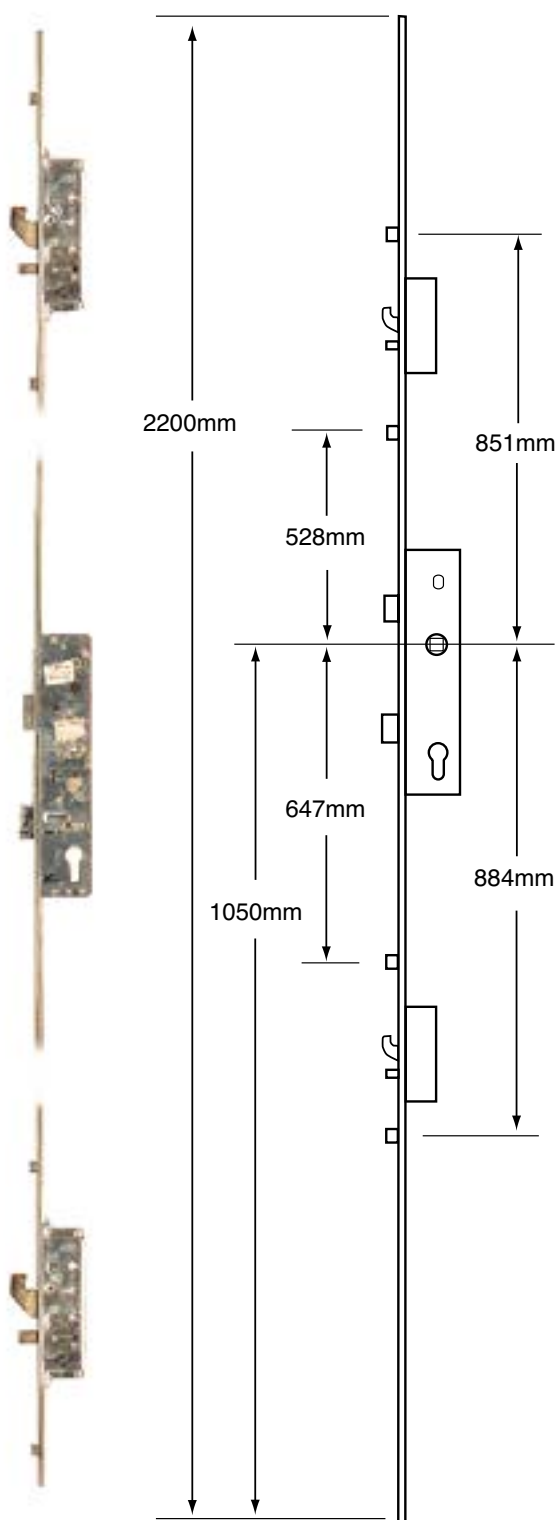
Product Code	Backset	Centres	Spindle	Centre Case	Mfr Ref.	Anti-Lifts	Rollers
L15397	35mm	92mm	Single	Latch & Deadbolt	PLSP13 19	2	2



# LOCKMASTER Lever Operated Latch & Deadbolt - 2 Hook 2 Anti-Lift 4 Roller

LOCKMASTER 92 35

Door



## Features

- Euro Profile Lock Case
- Latch & Deadbolt
- Single Spindle
- 16mm Faceplate

## Operation

A - Lift lever to engage locking mechanisms and then one full turn of the cylinder to lock. One full turn of the key then push down on the lever to unlock.

## Gearbox

YALE Doormaster Lever Operated Latch & Deadbolt Single Spindle Gearbox To Suit Lockmaster

L18758 35/92



page  
53

## Associated Products

CHAMELEON Pro Adaptable Door Handle

CH30025 White  
CH30026 Silver  
CH30027 Polished Silver  
CH30028 Gold  
CH30068 Black



page  
312

ASEC 92 Lever/Lever UPVC Furniture - 240mm Backplate

L18398 Chrome  
L18399 Gold  
L18400 White



page  
323

LOCKMASTER 1 Hook & 2 Roller Keep

L21688 LH Pair  
L21689 RH Pair



page  
517

LOCKMASTER Centre Keep

L15393 LH  
L15394 RH



page  
501

Product Code	Backset	Centres	Spindle	Centre Case	Mfr Ref.	Anti-Lifts	Rollers
L15389	35mm	92mm	Single	Latch & Deadbolt	PLSP13 2ER 19	2	4

Full Units - LOCKMASTER

# LOCKMASTER Lever Operated Latch & Deadbolt Single Spindle - 2 Deadbolt

92 35 LOCKMASTER

## Features

- Euro Profile Lock Case
- Latch & Deadbolt
- Single Spindle
- 16mm Faceplate

## Operation

A - Lift lever to engage locking mechanisms and then one full turn of the cylinder to lock. One full turn of the key then push down on the lever to unlock.

## Gearbox

YALE Doormaster Lever Operated Latch & Deadbolt Single Spindle Gearbox To Suit Lockmaster

L18758 35/92



page  
53

## Associated Products

CHAMELEON Pro Adaptable Door Handle

CH30025 White  
CH30026 Silver  
CH30027 Polished Silver  
CH30028 Gold  
CH30068 Black



page  
312

ASEC 92 Lever/Lever UPVC Furniture -  
220mm Backplate

L18404 Black  
L18405 Chrome  
L18406 Gold  
L18407 White



page  
322

GU E11413 Timber Hook / Dead Keep

L15571 Timber Hook/ Dead Keep



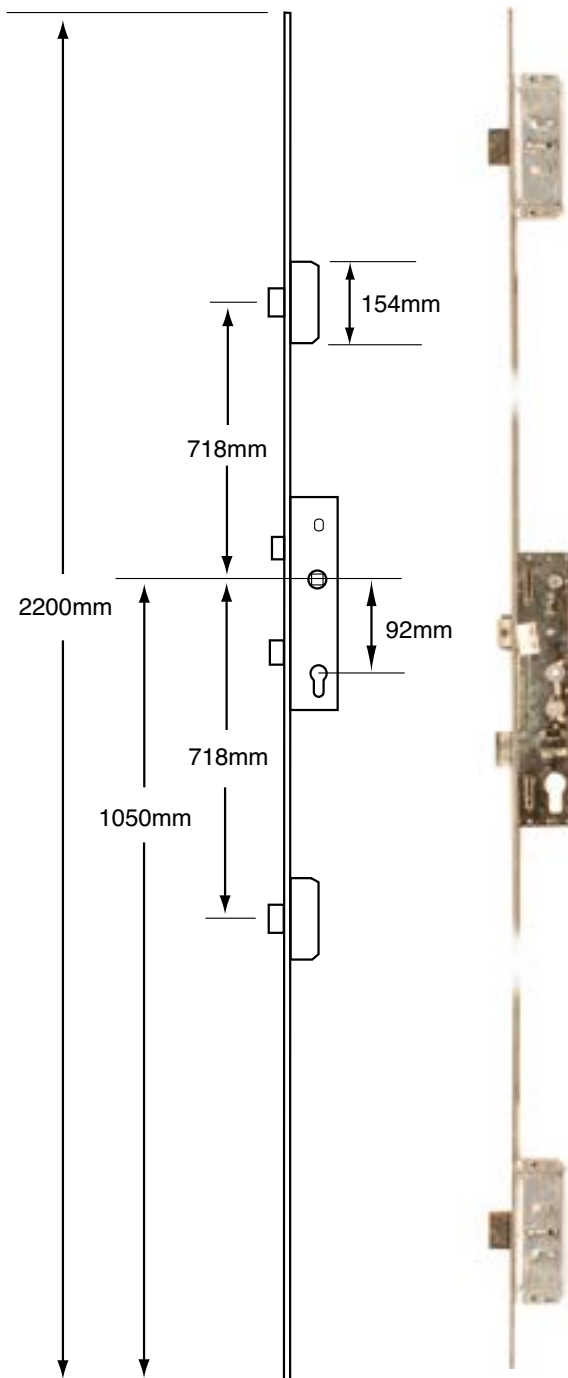
page  
515

LOCKMASTER Centre Keep

L15393 LH  
L15394 RH



page  
501

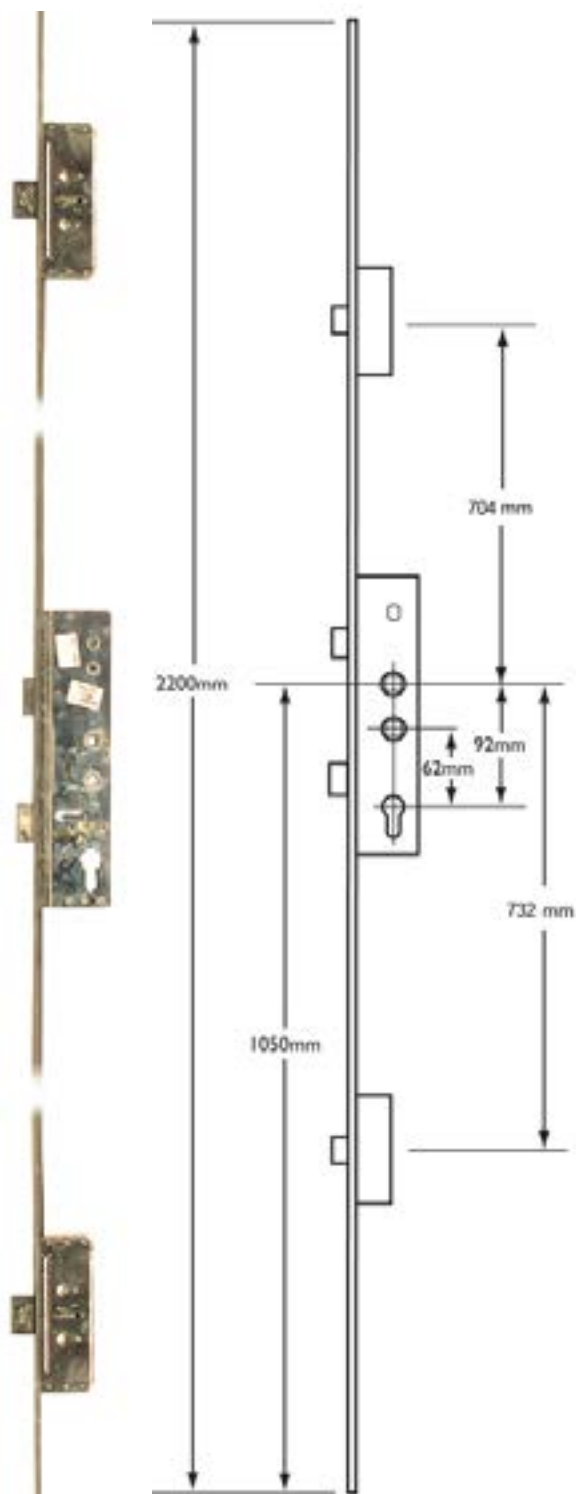


Product Code	Backset	Centres	Spindle	Centre Case	Mfr Ref.	Deadbolts
L15396	35mm	92mm	Single	Latch & Deadbolt	PLSP71-19	2

# LOCKMASTER Lever Operated Latch & Deadbolt Twin Spindle - 2 Deadbolt

LOCKMASTER 92/62 45

Door



## Features

- Euro Profile Lock Case
- Latch & Deadbolt
- Twin Spindle
- 16mm Faceplate

## Operation

A - Lift lever to engage locking mechanisms and then one full turn of the cylinder to lock. One full turn of the key then push down on the lever to unlock.

## Gearbox

YALE Doormaster Lever Operated Latch & Deadbolt Twin Spindle Gearbox

L18757 45/92-62



page  
54

## Associated Products

CHAMELEON Pro Adaptable Door Handle

CH30025 White  
CH30026 Silver  
CH30027 Polished Silver  
CH30028 Gold  
CH30068 Black



page  
312

ASEC 92 Lever/Lever UPVC Furniture - 240mm Backplate

L18398 Chrome  
L18399 Gold  
L18400 White



page  
323

GU E11413 Timber Hook / Dead Keep

L15571 Timber Hook/ Dead Keep



page  
515

LOCKMASTER Centre Keep

L15393 LH  
L15394 RH



page  
501

Product Code	Backset	Centres	Spindle	Centre Case	Mfr Ref.	Deadbolts
L15395	45mm	92/62mm	Twin	Latch & Deadbolt	PL71 19	2

Full Units - LOCKMASTER

# LOCKMASTER Lever Operated Latch & Deadbolt Twin Spindle - 2 Hook



## Features

- Euro Profile Lock Case
- Latch & Deadbolt
- Twin Spindle
- 16mm Faceplate

## Operation

A - Lift lever to engage locking mechanisms and then one full turn of the cylinder to lock. One full turn of the key then push down on the lever to unlock.

## Gearbox

YALE Doormaster Lever Operated Latch & Deadbolt Twin Spindle Gearbox

L18756 35/92



page  
54

## Associated Products

CHAMELEON Pro Adaptable Door Handle

CH30025 White  
CH30026 Silver  
CH30027 Polished Silver  
CH30028 Gold  
CH30068 Black



page  
312

ASEC 92 Lever/Lever UPVC Furniture -  
240mm Backplate

L18398 Chrome  
L18399 Gold  
L18400 White



page  
323

GU Hook Bolt Keep

L15385 Hook Bolt Keep



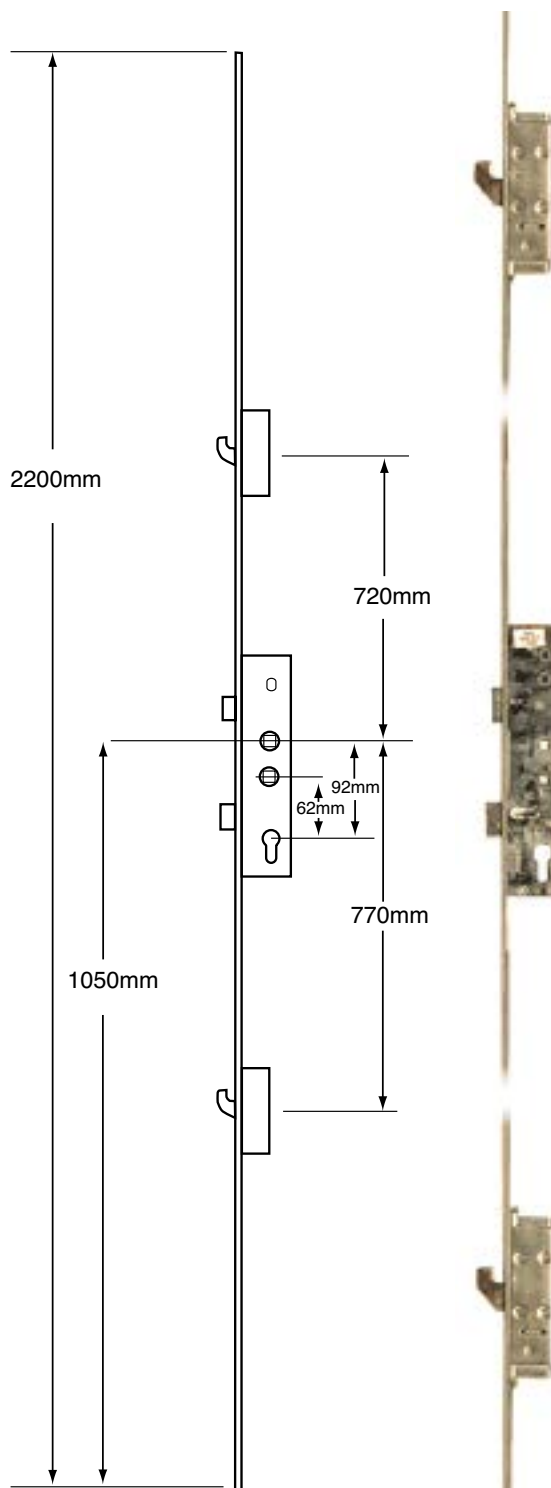
page  
516

LOCKMASTER Centre Keep

L15393 LH  
L15394 RH



page  
501

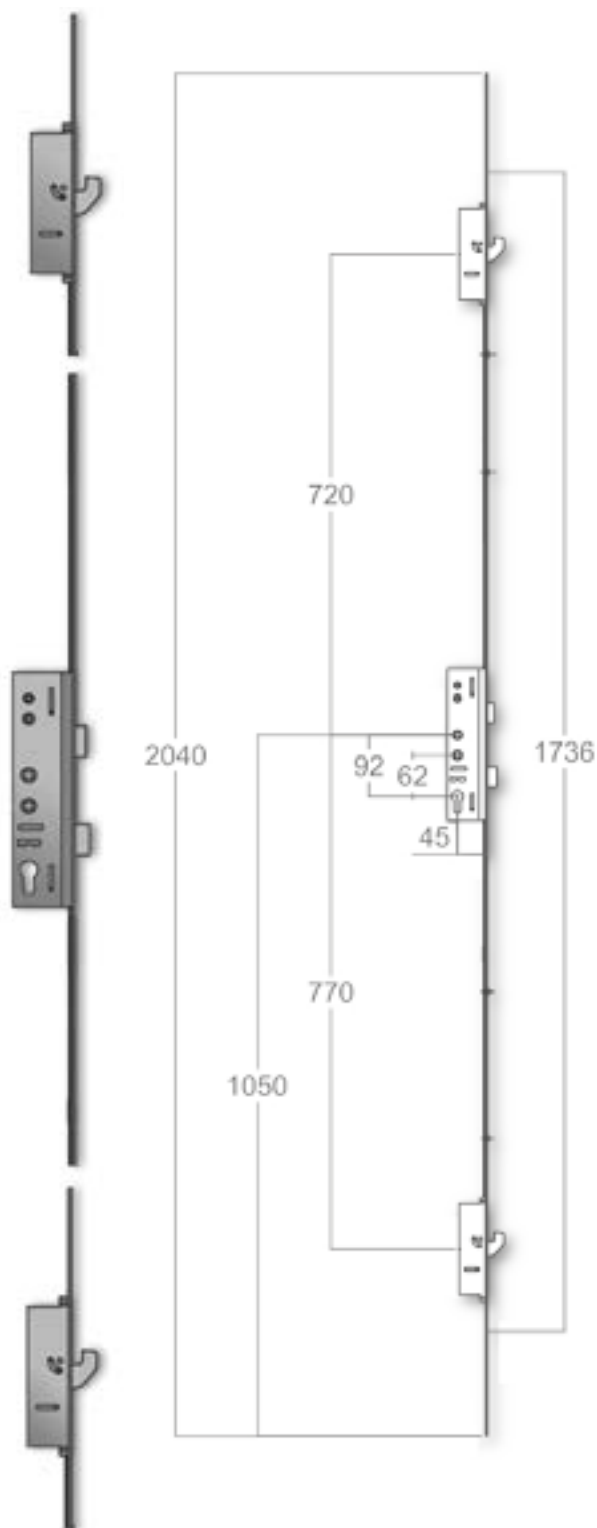


Product Code	Backset	Centres	Spindle	Centre Case	Mfr Ref.	Hooks
L15391	35mm	92/62mm	Twin	Latch & Deadbolt	PL18 19	2

# LOCKMASTER Lever Operated Latch & Deadbolt Twin Spindle - 2 Hook

LOCKMASTER 92  
62 45

Door



## Features

- 45mm wide U-Rail faceplate
- Euro profile lock case
- Latch & deadbolt
- 2 hooks
- Twin spindle
- 10 year guarantee

## Overview

This lever/lever operated latch & deadbolt multipoint lock by Lockmaster features a 45mm U-Rail faceplate, 45mm backset, 92/62mm centres, a twin spindle (for nightlatch operation) and 2 hooks.

## Operation

A - Lift lever to engage locking mechanisms and then one full turn of the cylinder to lock. One full turn of the key then push down on the lever to unlock.

## Gearbox

### YALE Doormaster Lever Operated Latch & Deadbolt Twin Spindle Gearbox

L18757 45/92-62



page  
54

## Associated Products

### CHAMELEON Pro Adaptable Door Handle

CH30025 White  
CH30026 Silver  
CH30027 Polished Silver  
CH30028 Gold  
CH30068 Black



page  
312

### ASEC 92 Lever/Lever UPVC Furniture - 240mm Backplate

L18398 Chrome  
L18399 Gold  
L18400 White



page  
323

### GU Hook Bolt Keep

L15385 Hook Bolt Keep



page  
516

### LOCKMASTER Centre Keep

L15393 LH  
L15394 RH



page  
501

Product Code	Backset	Centres	Spindle	Centre Case	Hooks
L24953	45mm	92/62mm	8mm twin-spindle	Latch & Deadbolt	2

# LOCKMASTER Lever Operated Latch & Deadbolt Twin Spindle - 2 Hook 2 Anti-Lift 2 Roller

92/62 35 LOCKMASTER

## Features

- Euro Profile Lock Case
- Latch & Deadbolt
- Twin Spindle
- 16mm Faceplate

## Operation

A - Lift lever to engage locking mechanisms and then one full turn of the cylinder to lock. One full turn of the key then push down on the lever to unlock.

## Gearbox

YALE Doormaster Lever Operated Latch & Deadbolt Twin Spindle Gearbox  
L18756 35/92



page  
54

## Associated Products

CHAMELEON Pro Adaptable Door Handle

CH30025 White  
CH30026 Silver  
CH30027 Polished Silver  
CH30028 Gold  
CH30068 Black



page  
312

ASEC 92 Lever/Lever UPVC Furniture -  
240mm Backplate

L18398 Chrome  
L18399 Gold  
L18400 White



page  
323

LOCKMASTER 1 Hook & 1 Roller Anti-Lift  
Keeps

L21687 Pair



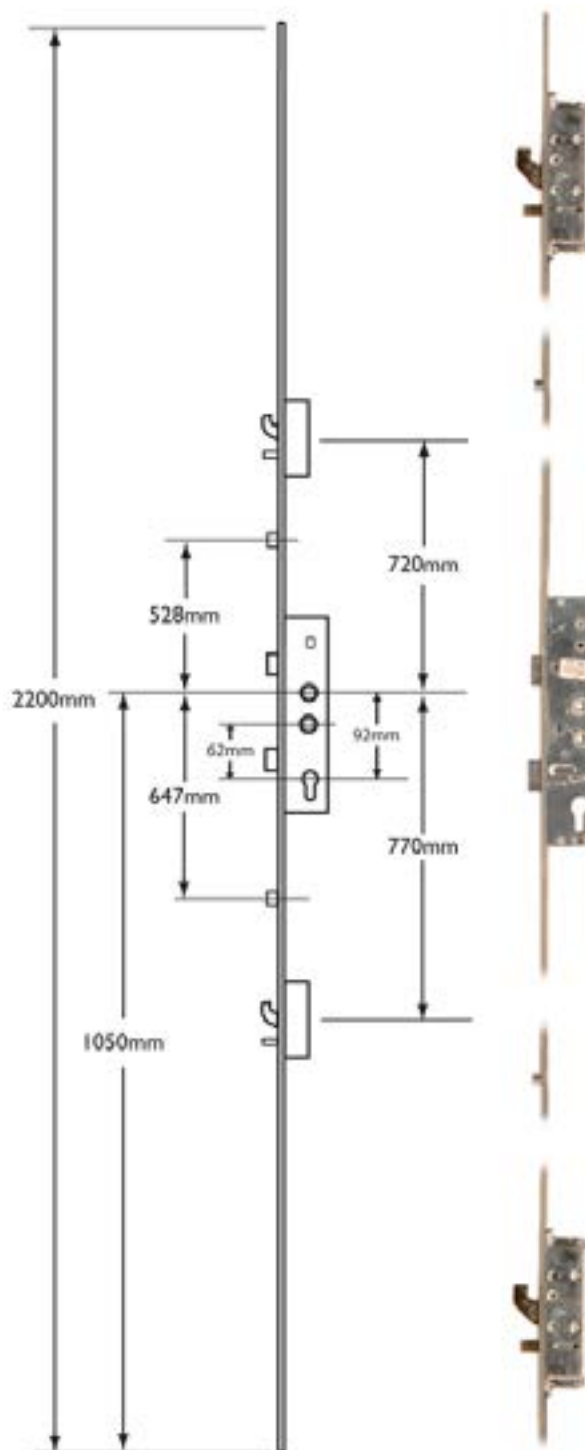
page  
517

LOCKMASTER Centre Keep

L15393 LH  
L15394 RH



page  
501

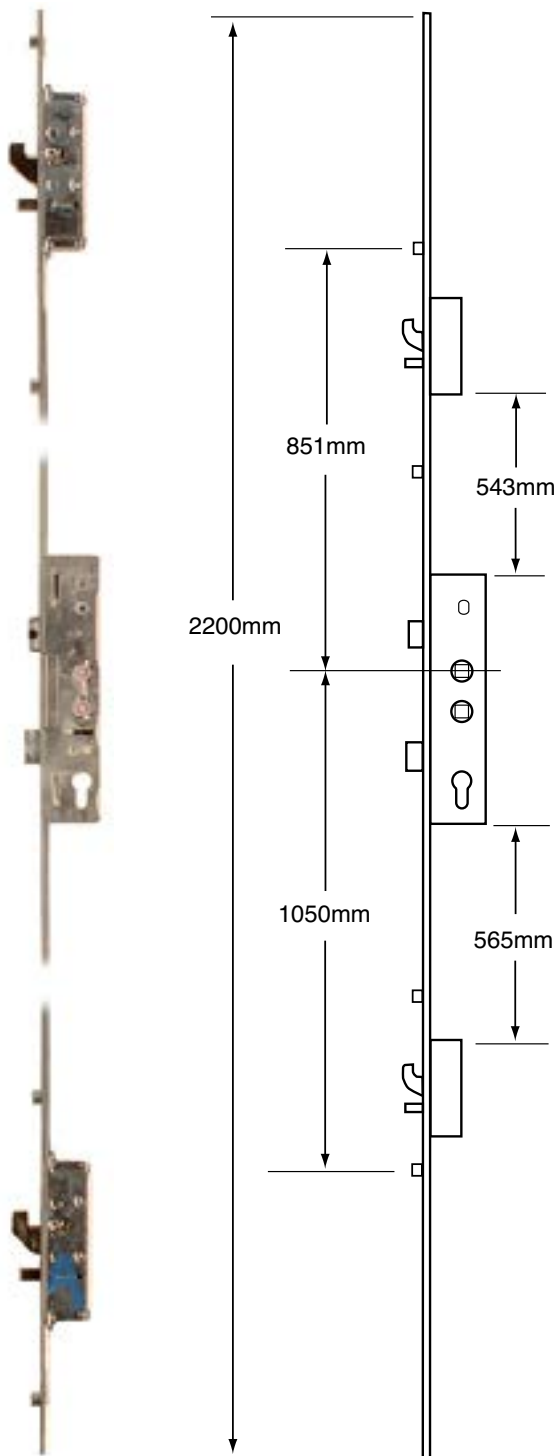


Product Code	Backset	Centre Case	Spindle	Centres	Mfr Ref.	Anti-Lifts	Rollers
L15390	35mm	Latch & Deadbolt	Twin	92/62mm	PL13-19	2	2

# LOCKMASTER Lever Operated Latch & Deadbolt Twin Spindle - 2 Hook 2 Anti-Lift 4 Roller

LOCKMASTER 92 62 35

Door



## Features

- Euro Profile Lock Case
- Latch & Deadbolt
- Twin Spindle
- 16mm Faceplate

## Operation

A - Lift lever to engage locking mechanisms and then one full turn of the cylinder to lock. One full turn of the key then push down on the lever to unlock.

## Gearbox

### LOCKMASTER Lever Operated Latch & Deadbolt Twin Spindle - Centre Case

L17848 35/92-62



page  
39

## Associated Products

### CHAMELEON Pro Adaptable Door Handle

CH30025 White  
CH30026 Silver  
CH30027 Polished Silver  
CH30028 Gold  
CH30068 Black



page  
312

### ASEC 92 Lever/Lever UPVC Furniture - 240mm Backplate

L18398 Chrome  
L18399 Gold  
L18400 White



page  
323

### LOCKMASTER 1 Hook & 2 Roller Keep

L21688 LH Pair  
L21689 RH Pair



page  
517

### LOCKMASTER Centre Keep

L15393 LH  
L15394 RH



page  
501

Product Code	Backset	Centres	Spindle	Centre Case	Mfr Ref.	Anti-Lifts	Rollers
L15398	35mm	92/62mm	Twin	Latch & Deadbolt	PL13 2ER 19	2	4

# Lockmaster Lever Operated Latch & Deadbolt Single Spindle - 4 Roller

92/62 35 LOCKMASTER

## Features

- 16mm Faceplate
- Euro Profile Lock Case
- Latch & Deadbolt
- Single Spindle

## Overview

Lever operated latch & deadbolt multipoint lock by Lockmaster with a twin spindle and 4 rollers.

## Operation

A - Lift lever to engage locking mechanisms and then one full turn of the cylinder to lock. One full turn of the key then push down on the lever to unlock.

## Gearbox

YALE Doormaster Lever Operated Latch & Deadbolt Single Spindle Gearbox To Suit Lockmaster

L18758 35/92



page  
53

## Associated Products

CHAMELEON Pro Adaptable Door Handle

CH30025 White  
CH30026 Silver  
CH30027 Polished Silver  
CH30028 Gold  
CH30068 Black



page  
312

ASEC 92 Lever/Lever UPVC Furniture - 240mm Backplate

L18398 Chrome  
L18399 Gold  
L18400 White



page  
323

LOCKMASTER Centre Keep

L15393 LH  
L15394 RH



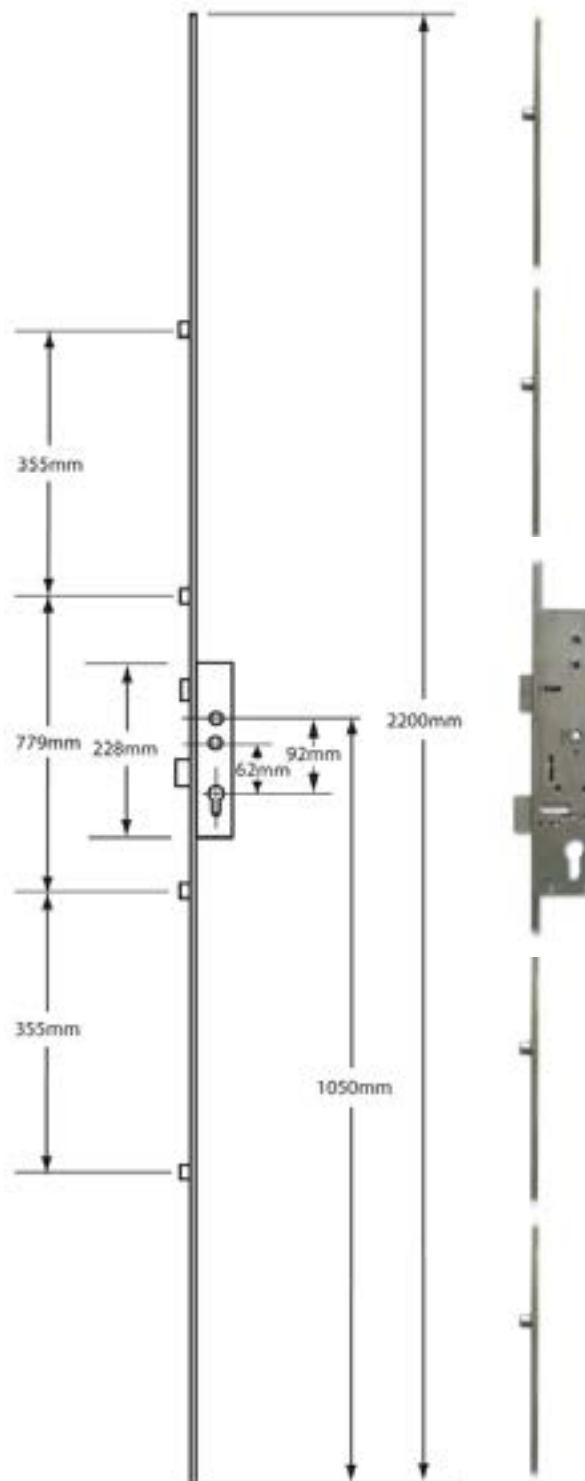
page  
501

YALE Doormaster Lever Operated Latch & Deadbolt Twin Spindle Gearbox

L18756 35/92  
L18757 45/92-62



page  
54



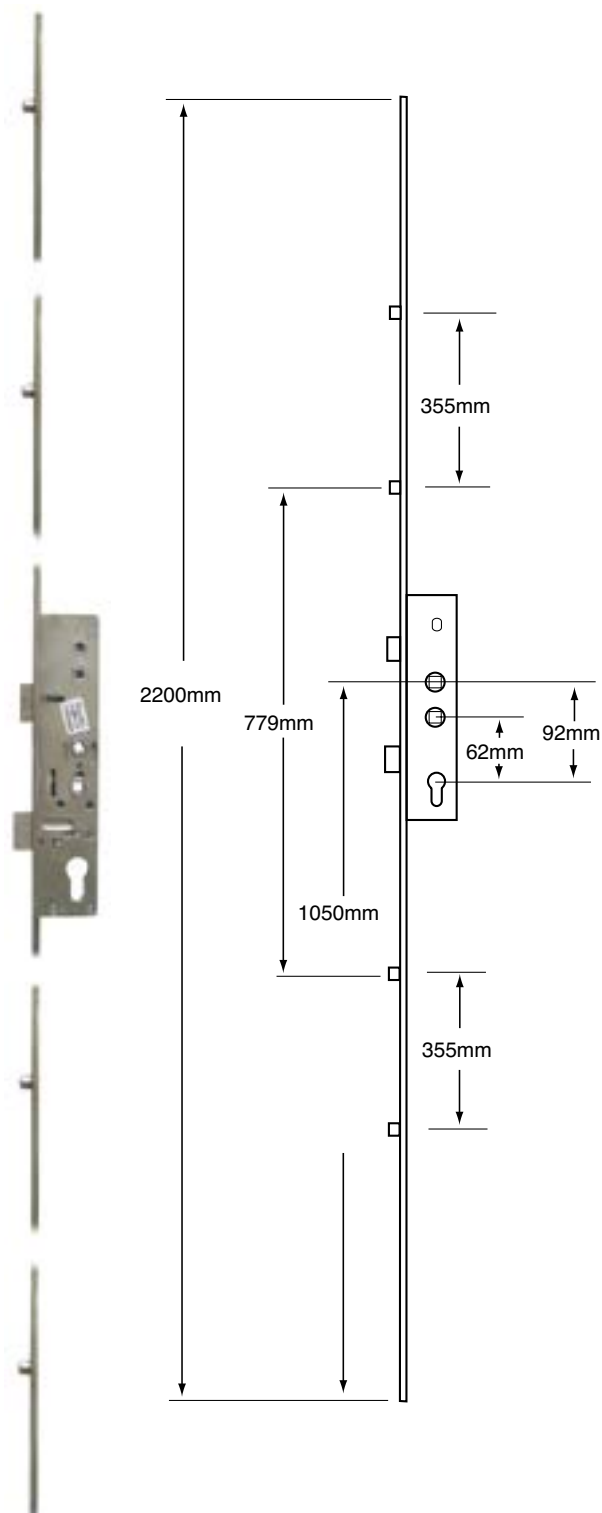
Product Code	Backset	Centres	Spindle	Centre Case	Mfr Ref.	Rollers
L24377	35mm	92/62mm	Twin	Latch & Deadbolt	041010	4



# LOCKMASTER Lever Operated Latch & Deadbolt Twin Spindle - 4 Roller

LOCKMASTER 92 62 35

Door



## Features

- Euro Profile Lock Case
- Latch & Deadbolt
- Twin Spindle
- 16mm Faceplate

## Operation

A - Lift lever to engage locking mechanisms and then one full turn of the cylinder to lock. One full turn of the key then push down on the lever to unlock.

## Gearbox

LOCKMASTER Lever Operated Latch & Deadbolt Twin Spindle - Centre Case  
L17848 35/92-62



page  
39

## Associated Products

CHAMELEON Pro Adaptable Door Handle

CH30025 White  
CH30026 Silver  
CH30027 Polished Silver  
CH30028 Gold  
CH30068 Black



page  
312

ASEC 92 Lever/Lever UPVC Furniture - 240mm Backplate

L18398 Chrome  
L18399 Gold  
L18400 White



page  
323

FERCO E11637-00-0-3 Roller Keep

L14405 Roller Keep



page  
508

LOCKMASTER Centre Keep

L15393 LH  
L15394 RH



page  
501

Product Code	Backset	Centres	Spindle	Centre Case	Mfr Ref.	Rollers
L25796	35mm	92/62mm	Twin	Latch & Deadbolt	PL11-19	4

# MACO Lever Operated Latch Only

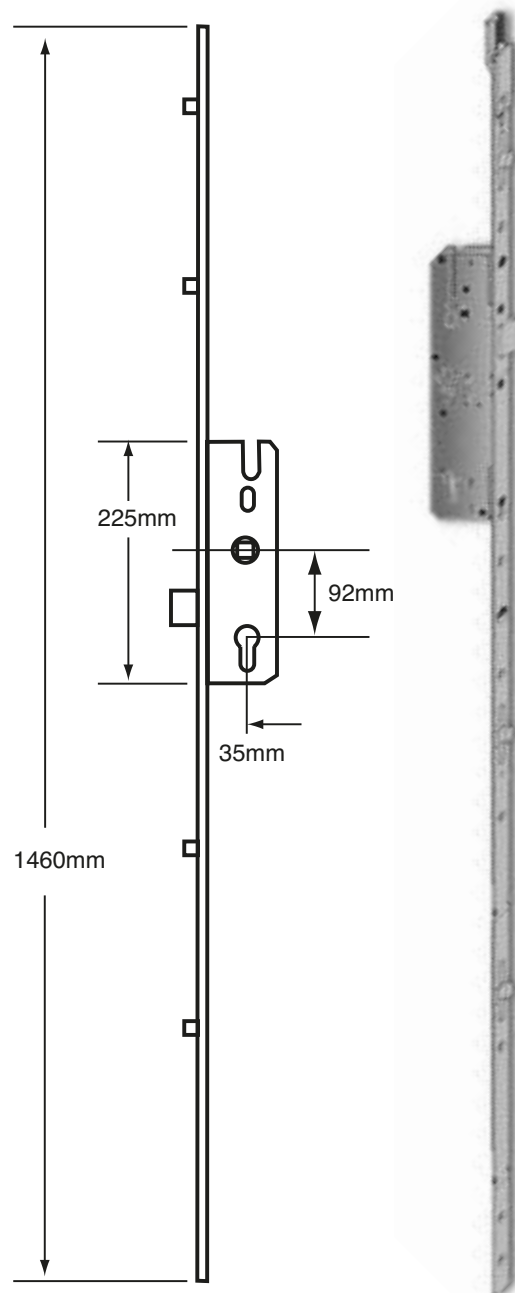


## Features

- Extendable unit
- Euro profile lockcase
- Latch only centre case
- Single spindle
- 4 rollers
- 16mm Faceplate

## Operation

A - Lift lever to engage locking mechanisms and then one full turn of the cylinder to lock. One full turn of the key then push down on the lever to unlock.



## Associated Products

### CHAMELEON Pro Adaptable Door Handle

CH30025	White
CH30026	Silver
CH30027	Polished Silver
CH30028	Gold
CH30068	Black



page  
312

### MACO 1 Roller Extension Piece

L26140	497mm
L26141	747mm



### MACO 2 Roller Extension Piece

L26142	997mm
--------	-------

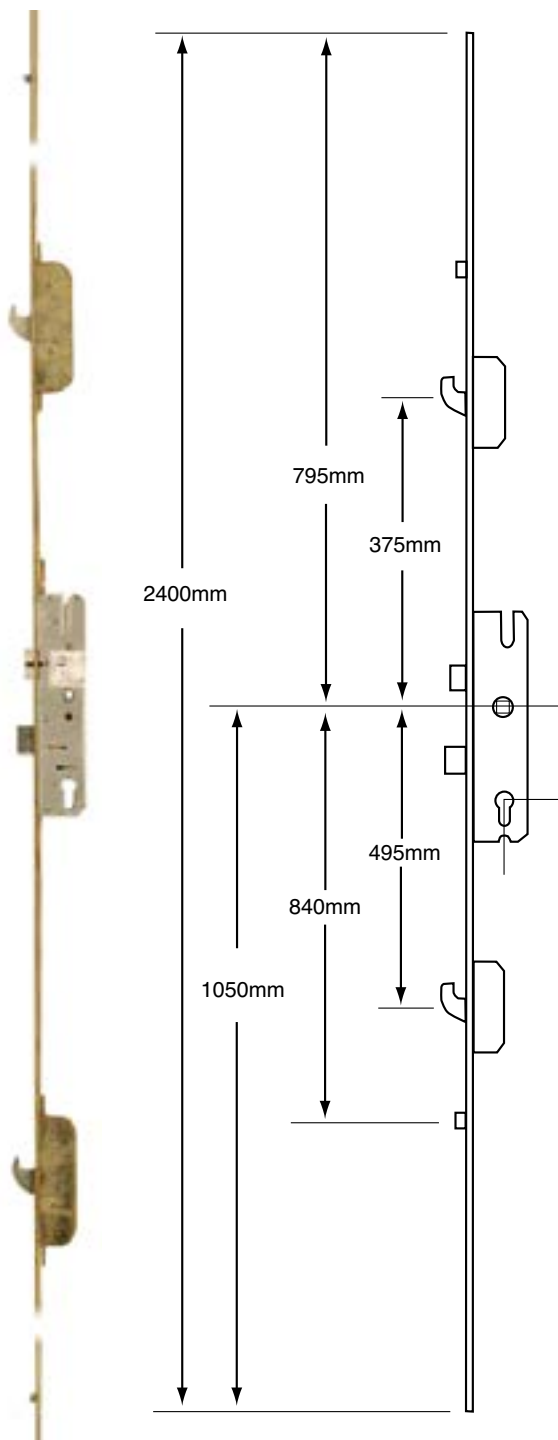


Product Code	Backset	Centres	Spindle	Centre Case	Mfr. Ref	Rollers
L25646	28mm	92mm	Single	Latch Only	55395	4
L25647	35mm	92mm	Single	Latch Only	55396	4

# MACO Lever Operated Latch & Deadbolt - 2 Hook 2 Mushroom


**DISCONTINUED**

Door



## Features

- Euro Profile Lock Case
- Latch & Deadbolt
- Single Spindle
- 16mm Faceplate

## Operation

A - Lift lever to engage locking mechanisms and then one full turn of the cylinder to lock. One full turn of the key then push down on the lever to unlock.

## Notes

**This product has been discontinued by the manufacturer. Please use CH10579 (some alterations will be required).**

## Gearbox

### MACO Lever Operated Latch & Deadbolt - Centre Case

L16214 35/92  
L23681 35/92 Old Style Copy


 page  
40

## Associated Products

### CHAMELEON Pro Adaptable Door Handle

CH30025 White  
CH30026 Silver  
CH30027 Polished Silver  
CH30028 Gold  
CH30068 Black


 page  
312

### GU 6-3001400 Centre Keep

L12049 LH  
L12050 RH


 page  
453

### GU 9-379870003 Mushroom Keep

L12052 Mushroom Keep


 page  
515

### GU Hook Bolt Keep

L15385 Hook Bolt Keep


 page  
516

Product Code	Backset	Centres	Spindle	Centre Case	Mfr Ref.	Hooks	Mushrooms
L15346	35mm	92mm	Single	Latch & Deadbolt	MAC 233051	2	2

# MACO Lever Operated Latch & Deadbolt - 4 Hook

**DISCONTINUED**



## Features

- Euro Profile Lock Case
- Latch & Deadbolt
- Single Spindle
- 16mm Faceplate

## Operation

A - Lift lever to engage locking mechanisms and then one full turn of the cylinder to lock. One full turn of the key then push down on the lever to unlock.

## Notes

**This product has been discontinued by the manufacturer. Please use CH10579 (some alterations will be required).**

## Gearbox

### MACO Lever Operated Latch & Deadbolt - Centre Case

L16214 35/92  
L23681 35/92 Old Style Copy



page  
40

## Associated Products

### CHAMELEON Pro Adaptable Door Handle

CH30025 White  
CH30026 Silver  
CH30027 Polished Silver  
CH30028 Gold  
CH30068 Black



page  
312

### ASEC 92 Lever/Lever UPVC Furniture - 220mm Backplate

L18404 Black  
L18405 Chrome  
L18406 Gold  
L18407 White



page  
322

### GU 6-3001400 Centre Keep

L12049 LH  
L12050 RH



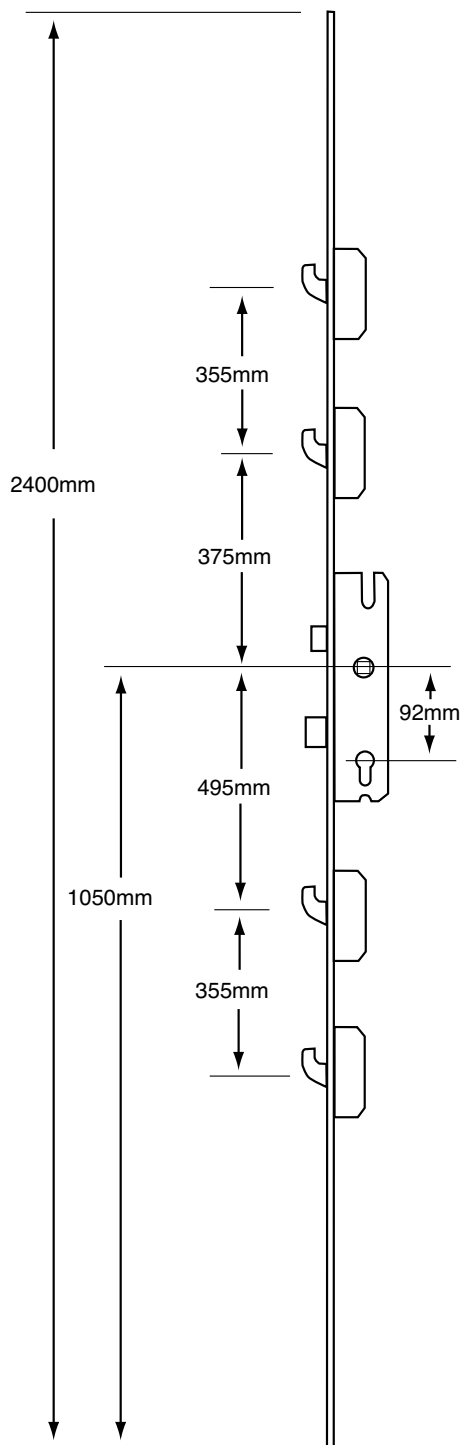
page  
453

### GU Hook Bolt Keep

L15385 Hook Bolt Keep



page  
516



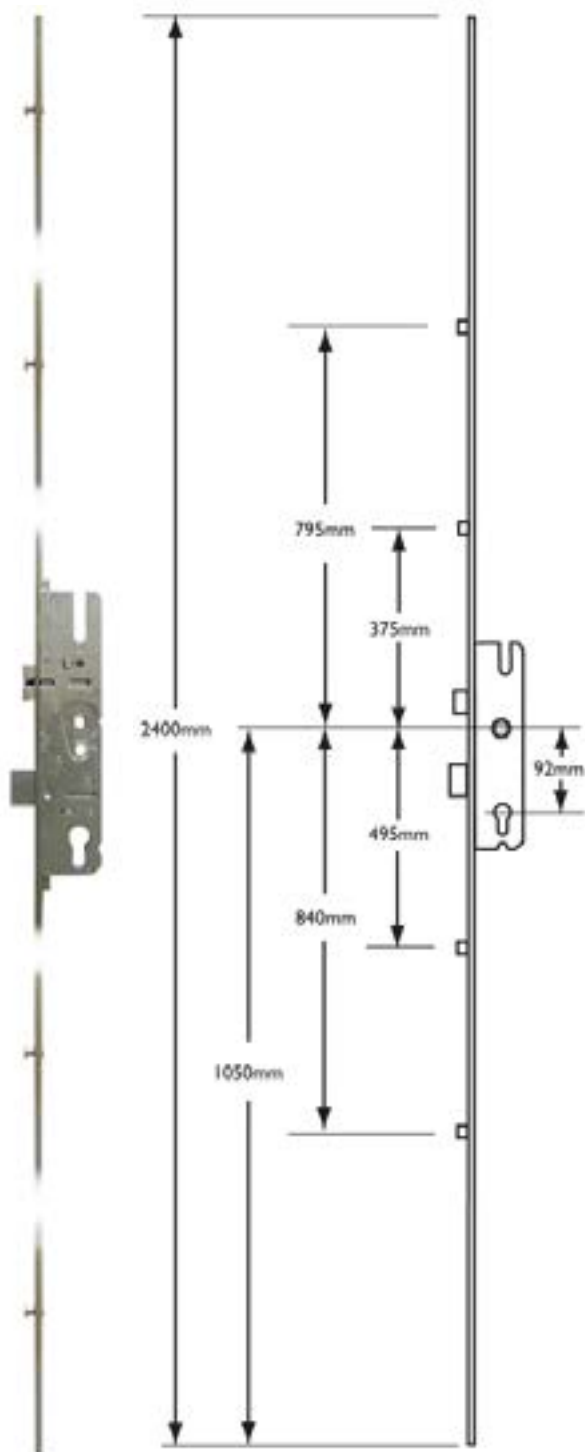
Door



Full Units -

Product Code	Backset	Centres	Spindle	Centre Case	Mfr Ref.	Hooks
L16398	35mm	92mm	Single	Latch & Deadbolt	MAC 233061	4

# MACO Lever Operated Latch & Deadbolt - 4 Roller



## Features

- Euro Profile Lock Case
- Latch & Deadbolt
- Single Spindle
- 16mm Faceplate

## Operation

A - Lift lever to engage locking mechanisms and then one full turn of the cylinder to lock. One full turn of the key then push down on the lever to unlock.

## Gearbox

### MACO Lever Operated Latch & Deadbolt - Centre Case

L16214 35/92  
L23681 35/92 Old Style Copy



page  
40

## Associated Products

### CHAMELEON Pro Adaptable Door Handle

CH30025 White  
CH30026 Silver  
CH30027 Polished Silver  
CH30028 Gold  
CH30068 Black



page  
312

### GU 6-3001400 Centre Keep

L12049 LH  
L12050 RH



page  
453

### GU 9-379860003 Roller Keep

L12051 Roller Keep



page  
515

### GU 9-379870003 Mushroom Keep

L12052 Mushroom Keep



page  
515

Product Code	Backset	Centres	Spindle	Centre Case	Mfr Ref.	Mushrooms	Rollers
L15392	35mm	92mm	Single	Latch & Deadbolt	MAC 232011	4	4

# MACO Lever Operated Latch & Deadbolt - Center Case Only

**DISCONTINUED**



## Features

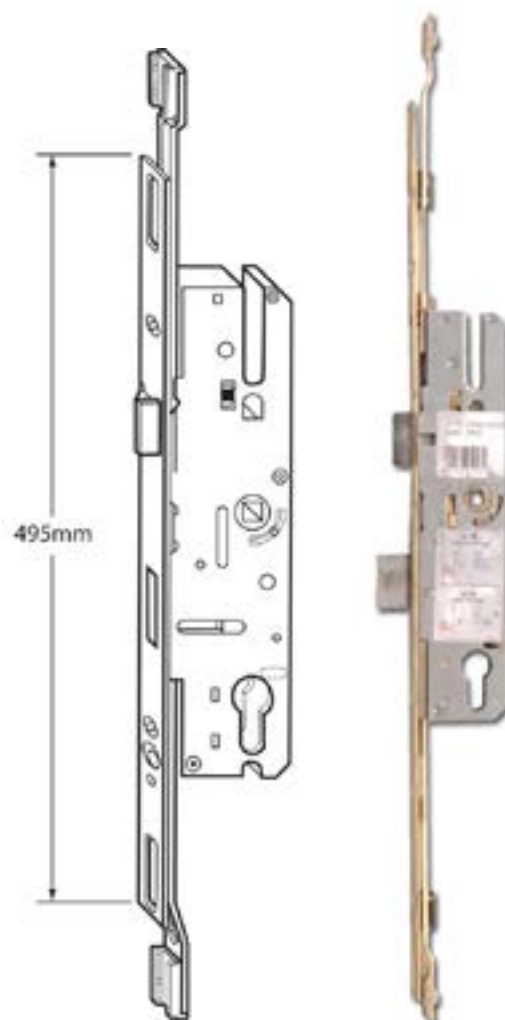
- Euro Profile Lock Case
- Latch & Deadbolt
- Centre Section Only

## Operation

A - Lift lever to engage locking mechanisms and then one full turn of the cylinder to lock. One full turn of the key then push down on the lever to unlock.

## Notes

**This product has been discontinued by the manufacturer. Please use CH10579 (some alterations will be required).**



## Associated Products

### CHAMELEON Pro Adaptable Door Handle

CH30025	White
CH30026	Silver
CH30027	Polished Silver
CH30028	Gold
CH30068	Black



page  
312

### ASEC 92 Lever/Lever UPVC Furniture - 220mm Backplate

L18404	Black
L18405	Chrome
L18406	Gold
L18407	White



page  
322

### GU 6-3001400 Centre Keep

L12049	LH
L12050	RH



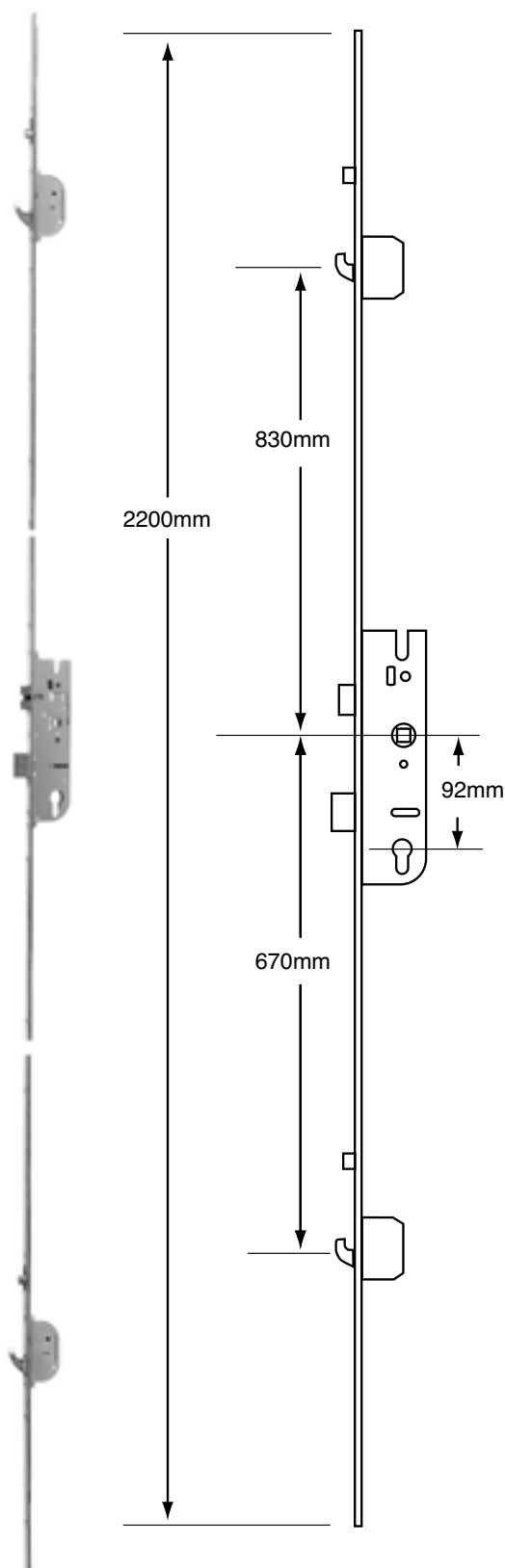
page  
453

Product Code	Backset	Centres	Spindle	Centre Case	Mfr Ref.	Hooks
L15343	35mm	92mm	Single	Latch & Deadbolt	54679	4

# MACO Lever Operated Latch & Deadbolt Single Spindle - 2 Hook 2 Roller



Door



## Features

- Single spindle
- Latch & deadbolt
- Euro profile lock case
- PAS24-2012 tested
- Forged steel deadlocking hook bolts
- Simple reversal process

## Overview

Lever operated latch & deadbolt high security multipoint lock system by Maco, suitable for use on UPVC, timber and composite doors. This unit has 2 forged steel deadlocking hook bolts, 2 rollers, a single spindle and a gearbox with a 35mm backset & 92mm centres.

## Operation

A - Lift lever to engage locking mechanisms and then one full turn of the cylinder to lock. One full turn of the key then push down on the lever to unlock.

## Gearbox

### MACO Lever Operated Latch & Deadbolt - Centre Case

L16214	35/92
L23681	35/92 Old Style Copy

page  
40

## Associated Products

### CHAMELEON Pro Adaptable Door Handle

CH30025	White
CH30026	Silver
CH30027	Polished Silver
CH30028	Gold
CH30068	Black

page  
312

### GU 6-3001400 Centre Keep

L12049	LH
L12050	RH

page  
453

### GU 9-379870003 Mushroom Keep

L12052	Mushroom Keep
--------	---------------

page  
515

### GU Hook Bolt Keep

L15385	Hook Bolt Keep
--------	----------------

page  
516

Product Code	Backset	Centres	Spindle	Centre Case	Mfr Ref.	Hooks	Rollers
L24529	35mm	92mm	Single	Latch & Deadbolt	242371	2	2

# MACO Lever Operated Latch & Deadbolt Split Spindle - 2 Hook 2 Mushroom

**DISCONTINUED**



## Features

- Euro Profile Lock Case
- Latch & Deadbolt
- Split Spindle
- 16mm Faceplate

## Operation

A - Lift lever to engage locking mechanisms and then one full turn of the cylinder to lock. One full turn of the key then push down on the lever to unlock

## Notes

**This product has been discontinued by the manufacturer. Please use CH10579 (some alterations will be required).**

## Gearbox

MACO Lever Operated Latch & Deadbolt -  
Centre Case

L16214 35/92  
L23681 35/92 Old Style Copy



page  
40

## Associated Products

CHAMELEON Pro Adaptable Door Handle

CH30025 White  
CH30026 Silver  
CH30027 Polished Silver  
CH30028 Gold  
CH30068 Black



page  
312

GU 6-3001400 Centre Keep

L12049 LH  
L12050 RH



page  
453

GU 9-379870003 Mushroom Keep

L12052 Mushroom Keep



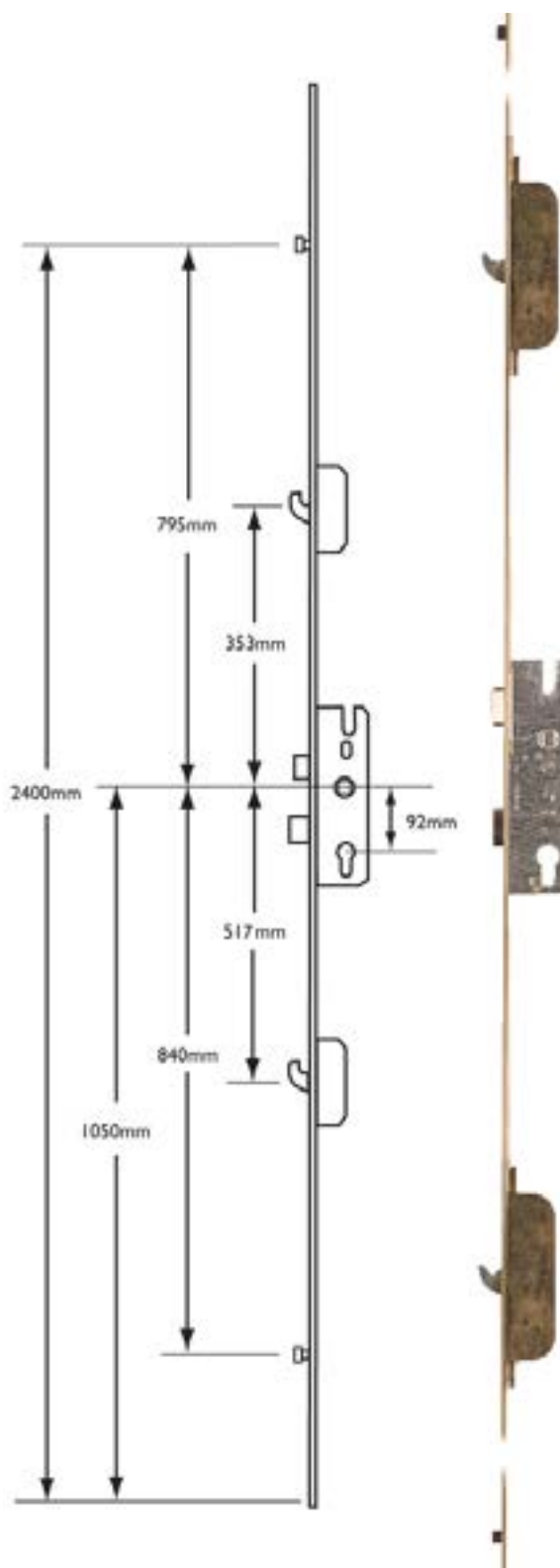
page  
515

GU Hook Bolt Keep

L15385 Hook Bolt Keep



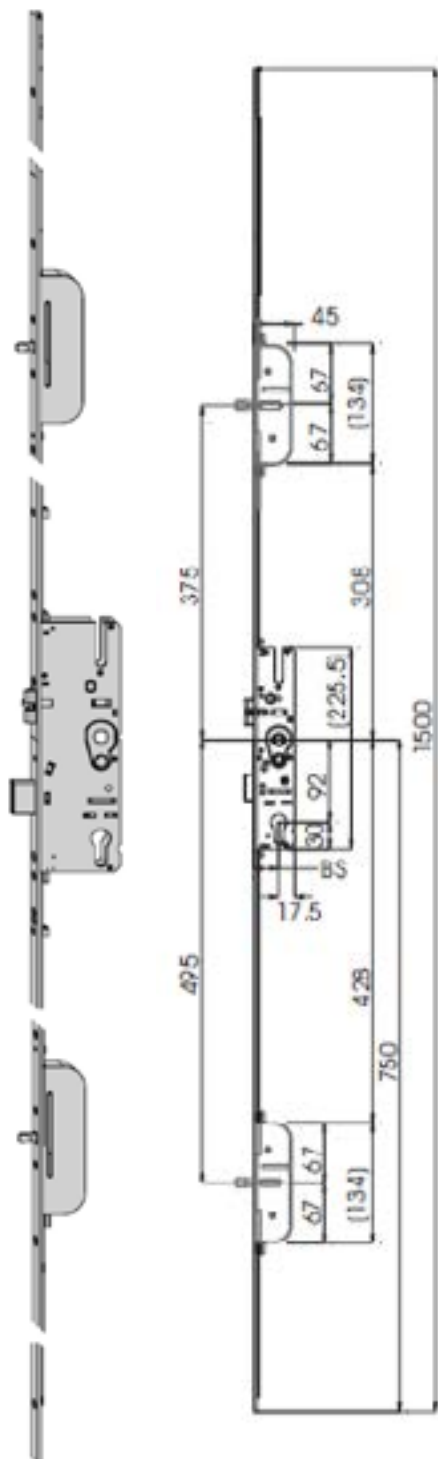
page  
516



Product Code	Backset	Centres	Spindle	Centre Case	Mfr Ref.	Hooks	Mushrooms
L15345	35mm	92mm	Split	Latch & Deadbolt	MAC 232441	2	2



# MACO Protect Lever Operated Latch & Deadbolt Multipoint Lock With Finger Bolt



## Features

- 92mm Centres
- 35mm Backset
- Length 1500mm
- 16mm wide faceplate
- Euro Profile

## Operation

A - Lift lever to engage locking mechanisms and then one full turn of the cylinder to lock. One full turn of the key then push down on the lever to unlock.

## Associated Products

### CHAMELEON Pro Adaptable Door Handle

- CH30025 White
- CH30026 Silver
- CH30027 Polished Silver
- CH30028 Gold
- CH30068 Black



page 312

Product Code	Backset	Centres	Centre Case	Mfr Ref.	Spindle	Finger Bolts
L24436	35mm	92mm	Latch & Deadbolt	232151	Single	1

# MILA Evolution Lever Operated Latch & Deadbolt Split Spindle Attachment For Shoot Bolts - 2 Hook 2 Roller

**DISCONTINUED**

92 35 MILA

Door

## Features

- Euro Profile Lock Case
- Latch & Deadbolt
- Split Spindle
- 16mm Faceplate

## Operation

A - Lift lever to engage locking mechanisms and then one full turn of the cylinder to lock. One full turn of the key then push down on the lever to unlock..

## Notes

**This product has been discontinued by the manufacturer. Please replace with CH10579.**

## Associated Products

### CHAMELEON Pro Adaptable Door Handle

CH30025	White
CH30026	Silver
CH30027	Polished Silver
CH30028	Gold
CH30068	Black



page  
312

### ASEC 92 Lever/Lever UPVC Furniture - 220mm Backplate

L18404	Black
L18405	Chrome
L18406	Gold
L18407	White



page  
322

### GU 6-3001400 Centre Keep

L12049	LH
L12050	RH



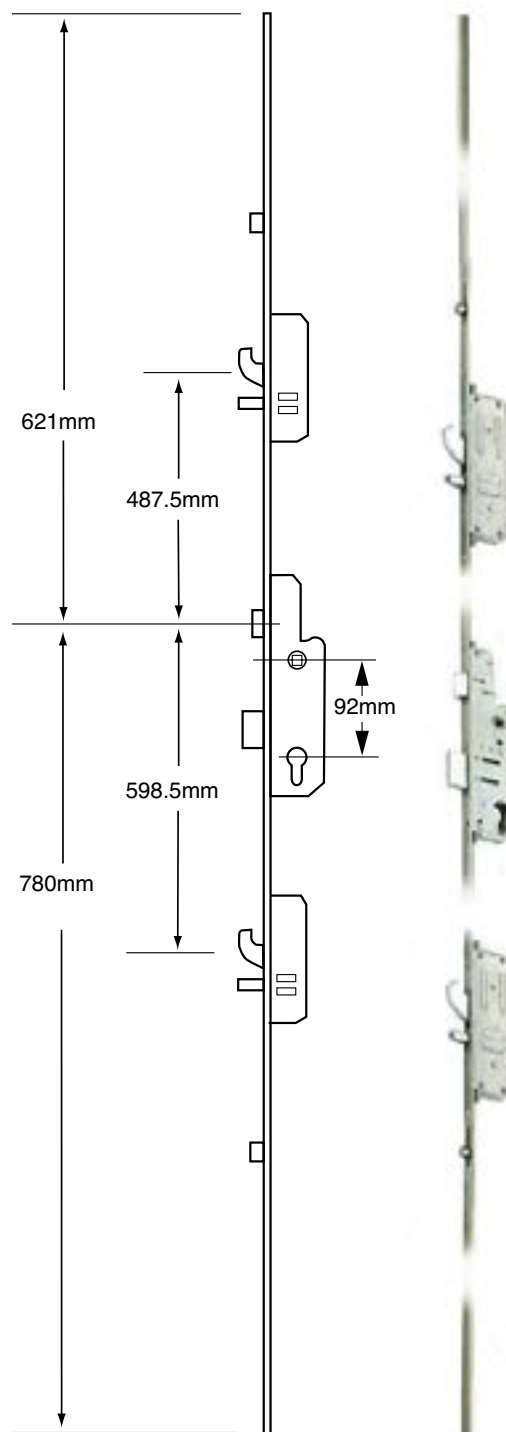
page  
453

### GU 9-379860003 Roller Keep

L12051	Roller Keep
--------	-------------

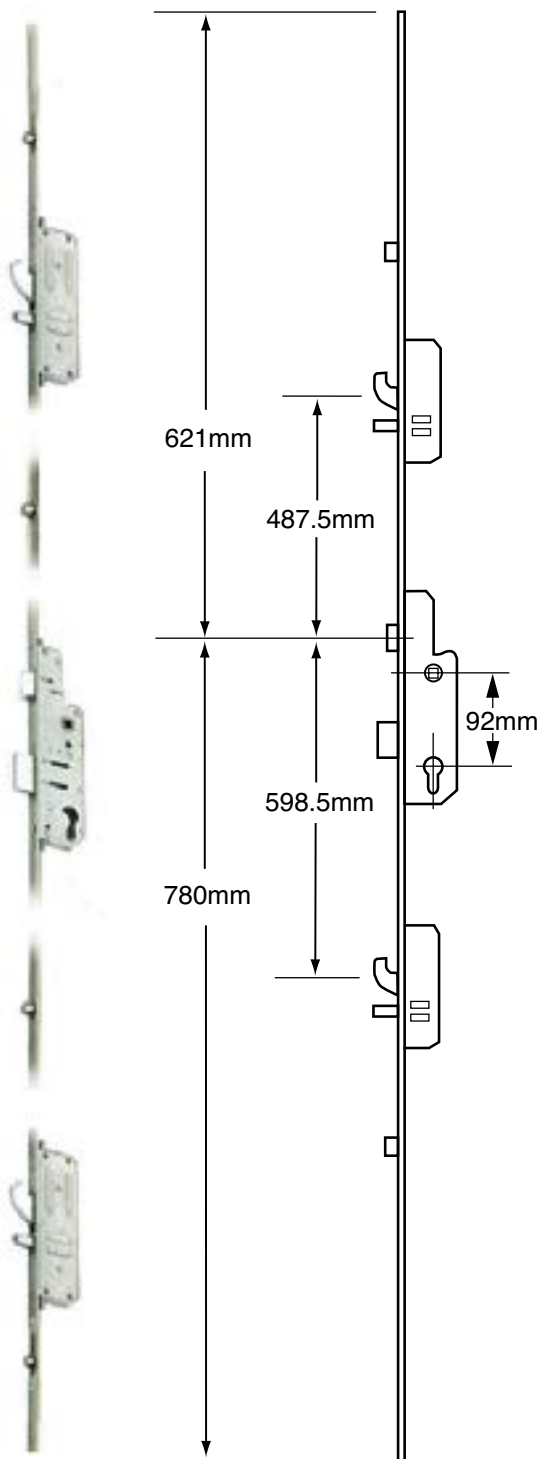


page  
515



Product Code	Backset	Centres	Spindle	Centre Case	Mfr Ref.	Anti-Lifts	Hooks	Rollers
L18378	35mm	92mm	Split	Latch & Deadbolt	47238	2	2	2

# MILA Evolution Lever Operated Latch & Deadbolt Split Spindle Attachment For Shoot Bolts - 2 Hook 4 Roller



## Features

- Euro Profile Lock Case
- Latch & Deadbolt
- Split Spindle
- 16mm Faceplate

## Operation

A - Lift lever to engage locking mechanisms and then one full turn of the cylinder to lock. One full turn of the key then push down on the lever to unlock.

## Associated Products

### CHAMELEON Pro Adaptable Door Handle

- CH30025 White
- CH30026 Silver
- CH30027 Polished Silver
- CH30028 Gold
- CH30068 Black



page 312

### ASEC 92 Lever/Lever UPVC Furniture - 220mm Backplate

- L18404 Black
- L18405 Chrome
- L18406 Gold
- L18407 White



page 322

### GU 6-3001400 Centre Keep

- L12049 LH
- L12050 RH



page 453

### GU 9-379860003 Roller Keep

- L12051 Roller Keep



page 515

Product Code	Backset	Centres	Spindle	Centre Case	Mfr Ref.	Anti-Lifts	Hooks	Rollers
L18377	35mm	92mm	Single	Latch & Deadbolt	47241	2	2	4

# MILA Lever Operated Latch & Deadbolt - 2 Roller 2 Hook



**DISCONTINUED**

## Features

- Latch & Deadbolt
- Single Spindle
- 16mm Faceplate

## Operation

A - Lift lever to engage locking mechanisms and then one full turn of the cylinder to lock. One full turn of the key then push down on the lever to unlock.

## Notes

**Discontinued - Replace with Yale Doormaster (L18706) or use CH10579.**

## Gearbox

MILA Lever Operated Latch & Deadbolt -  
Centre Case

L15419 35/92



page  
42

## Associated Products

CHAMELEON Pro Adaptable Door Handle

CH30025 White  
CH30026 Silver  
CH30027 Polished Silver  
CH30028 Gold  
CH30068 Black



page  
312

FERCO E11637-00-0-3 Roller Keep

L14405 Roller Keep



page  
508

GU 6-3001400 Centre Keep

L12049 LH  
L12050 RH



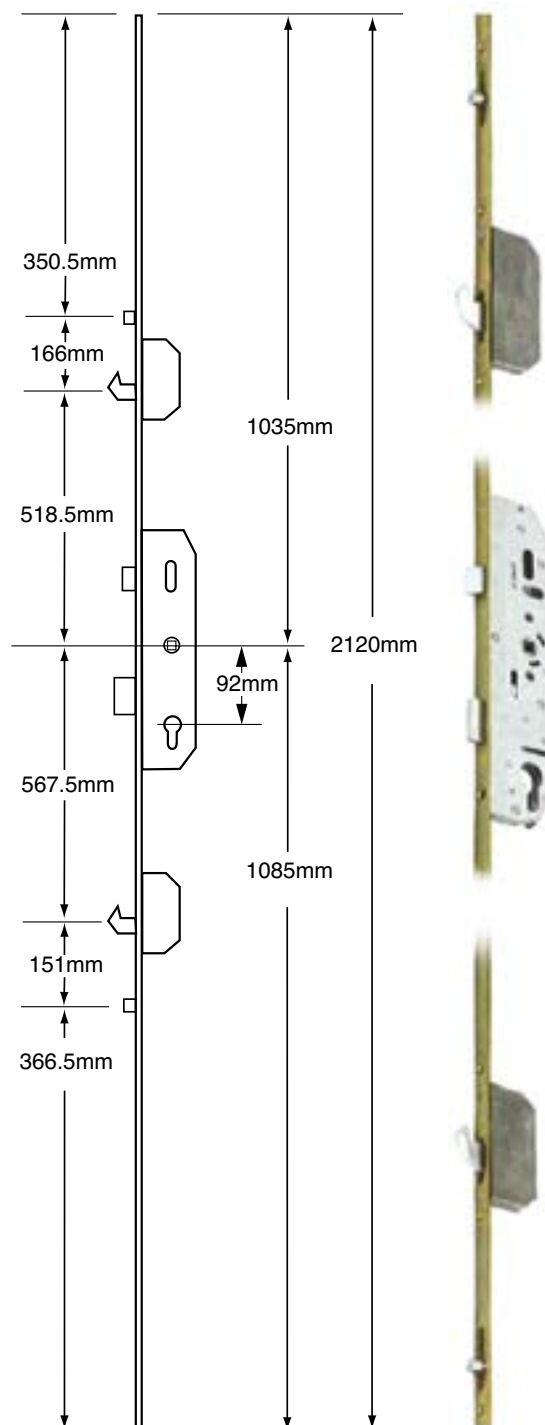
page  
453

GU Hook Bolt Keep

L15385 Hook Bolt Keep



page  
516



Door

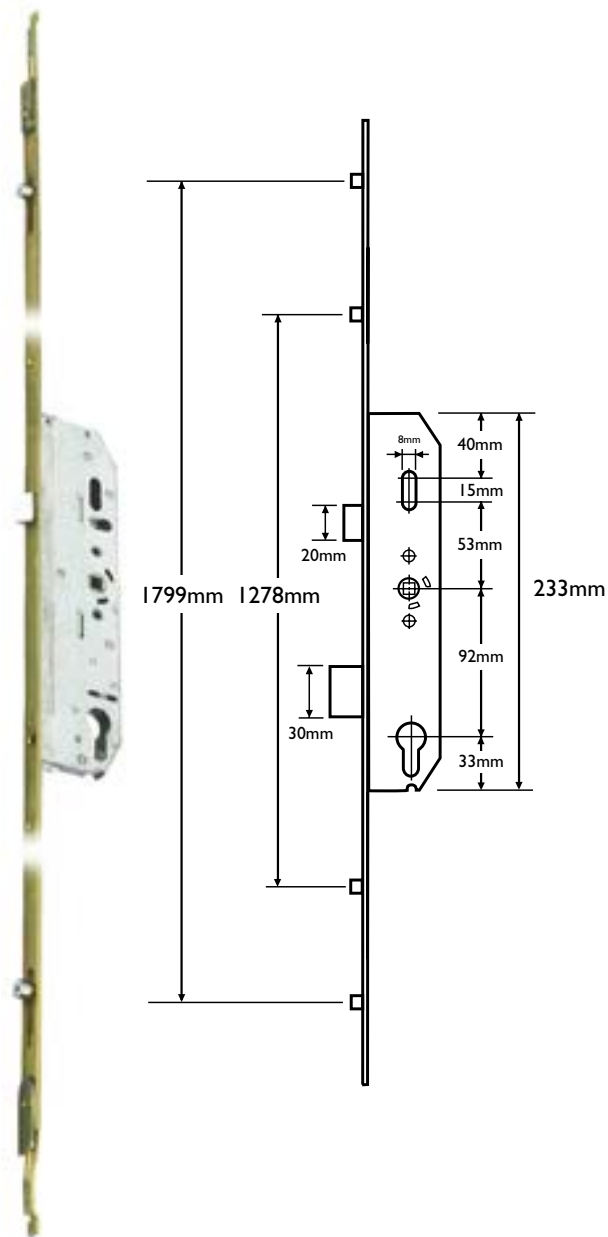
Full Units - MILA

Product Code	Backset	Centres	Centre Case	Spindle	Mfr Ref.	Rollers	Hooks
L20647	35mm	92mm	Latch & Deadbolt	Single	232441	2	2

# MILA Lever Operated Latch & Deadbolt - 2 Roller 2 Mushroom


**DISCONTINUED**

Door



## Features

- Euro Profile Lock Case
- Latch & Deadbolt
- Single Spindle
- 16mm Faceplate

## Operation

A - Lift lever to engage locking mechanisms and then one full turn of the cylinder to lock. One full turn of the key then push down on the lever to unlock.

## Notes

**Discontinued - Either replace the gearbox (L15419 Mila, L18762 Doormaster or L23680 Copy) or use CH10584.**

## Gearbox

### MILA Lever Operated Latch & Deadbolt - Centre Case

L15419 35/92



page  
42

## Associated Products

### CHAMELEON Pro Adaptable Door Handle

CH30025 White  
CH30026 Silver  
CH30027 Polished Silver  
CH30028 Gold  
CH30068 Black



page  
312

### FERCO E11637-00-0-3 Roller Keep

L14405 Roller Keep



page  
508

### GU 6-3001400 Centre Keep

L12049 LH  
L12050 RH



page  
453

### GU 9-379870003 Mushroom Keep

L12052 Mushroom Keep



page  
515

Product Code	Backset	Centres	Centre Case	Mfr Ref.	Spindle	Rollers	Mushrooms
L20643	35mm	92mm	Latch & Deadbolt	47132	Single	2	2

# MILA Lever Operated Latch & Deadbolt - 4 Roller

**DISCONTINUED**



## Features

- Euro Profile Lock Case
- Latch & Deadbolt
- Single Spindle
- 16mm Faceplate

## Operation

A - Lift lever to engage locking mechanisms and then one full turn of the cylinder to lock. One full turn of the key then push down on the lever to unlock.

## Notes

**Discontinued - Either replace the gearbox (L15419 Mila, L18762 Doormaster or L23680 Copy) or use CH10584.**

## Gearbox

MILA Lever Operated Latch & Deadbolt -  
Centre Case

L15419 35/92



page  
42

## Associated Products

CHAMELEON Pro Adaptable Door Handle

CH30025 White  
CH30026 Silver  
CH30027 Polished Silver  
CH30028 Gold  
CH30068 Black



page  
312

ASEC 92 Lever/Lever UPVC Furniture -  
220mm Backplate

L18404 Black  
L18405 Chrome  
L18406 Gold  
L18407 White



page  
322

FERCO E11637-00-0-3 Roller Keep

L14405 Roller Keep



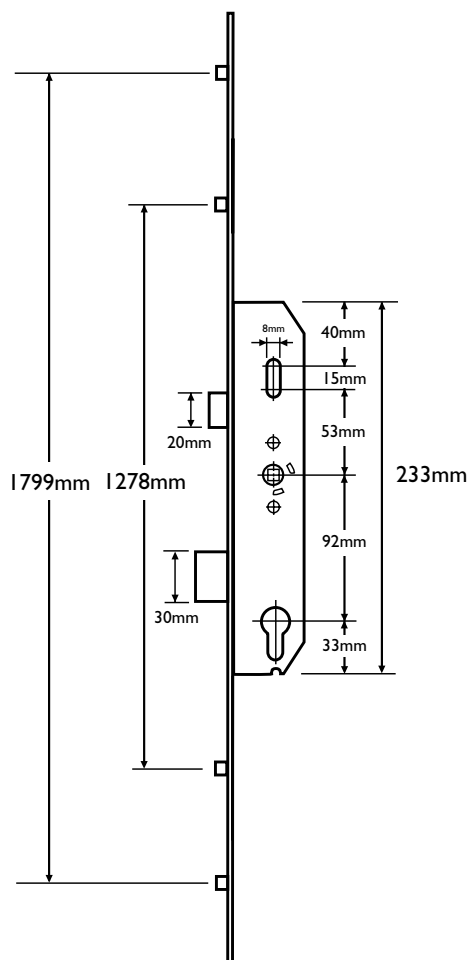
page  
508

GU 6-3001400 Centre Keep

L12049 LH  
L12050 RH



page  
453

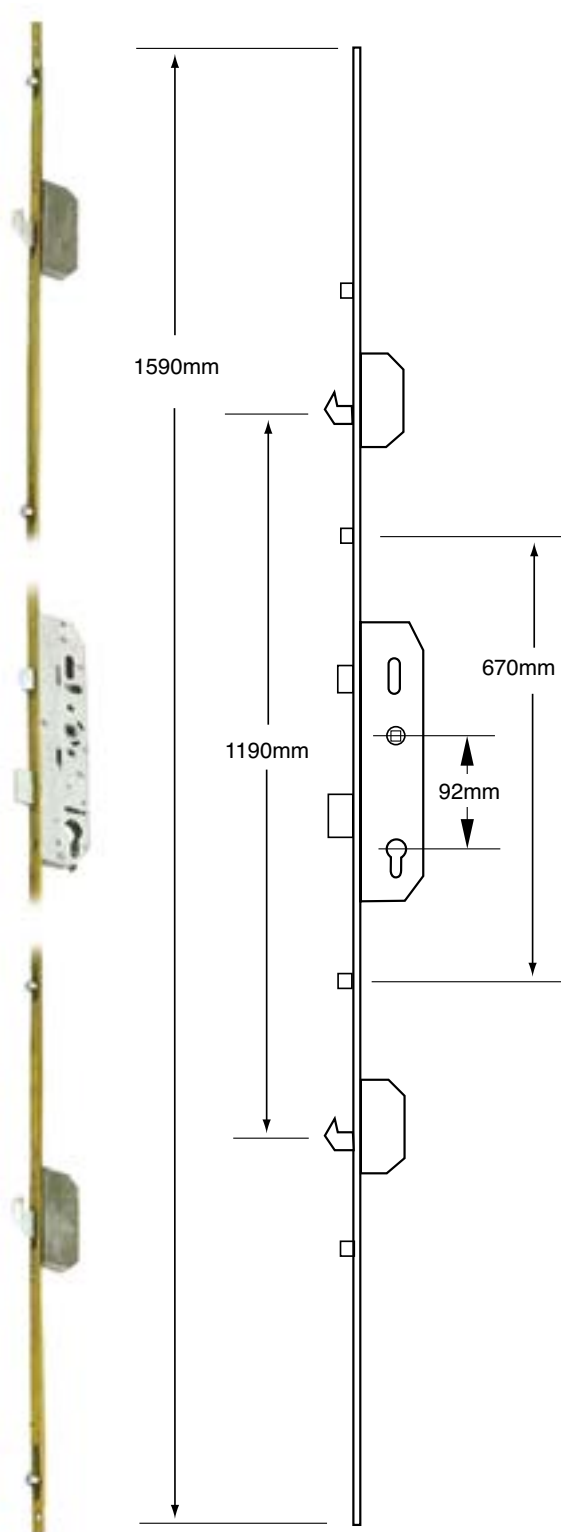


Product Code	Backset	Centres	Spindle	Centre Case	Mfr Ref.	Rollers
L20644	35mm	92mm	Single	Latch & Deadbolt	47130	4

# MILA Lever Operated Latch & Deadbolt - 4 Roller 2 Hook


**DISCONTINUED**

Door



## Features

- Euro Profile Lock Case
- Latch & Deadbolt
- Single Spindle
- 16mm Faceplate

## Operation

A - Lift lever to engage locking mechanisms and then one full turn of the cylinder to lock. One full turn of the key then push down on the lever to unlock.

## Notes

**Discontinued - Either replace the gearbox (L15419 Mila, L18762 Doormaster or L23680 Copy) or use CH10579.**

## Gearbox

### MILA Lever Operated Latch & Deadbolt - Centre Case

L15419 35/92



page  
42

## Associated Products

### CHAMELEON Pro Adaptable Door Handle

CH30025 White  
CH30026 Silver  
CH30027 Polished Silver  
CH30028 Gold  
CH30068 Black



page  
312

### FERCO E11637-00-0-3 Roller Keep

L14405 Roller Keep



page  
508

### GU 6-3001400 Centre Keep

L12049 LH  
L12050 RH



page  
453

### GU Hook Bolt Keep

L15385 Hook Bolt Keep



page  
516

Product Code	Backset	Centres	Spindle	Centre Case	Mfr Ref.	Rollers	Hooks
L20649	35mm	92mm	Single	Latch & Deadbolt	47120	4	2

# MILA Lever Operated Latch & Deadbolt Twin Spindle - 2 Roller 2 Hook



**DISCONTINUED**

## Features

- Euro Profile Lock Case
- Latch & Deadbolt
- Twin Spindle
- 16mm Faceplate

## Operation

A - Lift lever to engage locking mechanisms and then one full turn of the cylinder to lock. One full turn of the key then push down on the lever to unlock.

## Notes

**Discontinued - Either replace the gearbox L18291 or replace the unit with L18706 or use CH10579**

## Gearbox

MILA Lever Operated Latch & Deadbolt  
Twin Spindle Gearbox

L18291 35/92-70  
L23680 35/92-70 Copy



page  
42

## Associated Products

CHAMELEON Pro Adaptable Door Handle

CH30025 White  
CH30026 Silver  
CH30027 Polished Silver  
CH30028 Gold  
CH30068 Black



page  
312

FERCO E11637-00-0-3 Roller Keep

L14405 Roller Keep



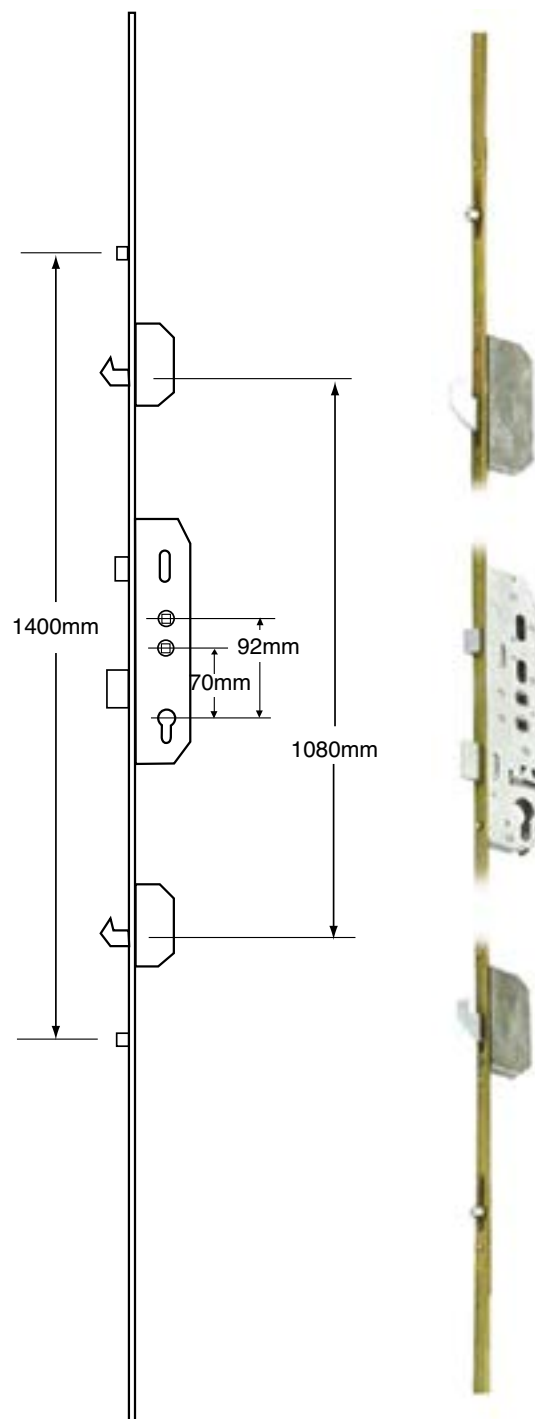
page  
508

GU Hook Bolt Keep

L15385 Hook Bolt Keep



page  
516



Door

Full Units - MILA

Product Code	Backset	Centres	Spindle	Centre Case	Mfr Ref.	Rollers	Hooks
L20648	35mm	92/70mm	Twin	Latch & Deadbolt	47128	2	2

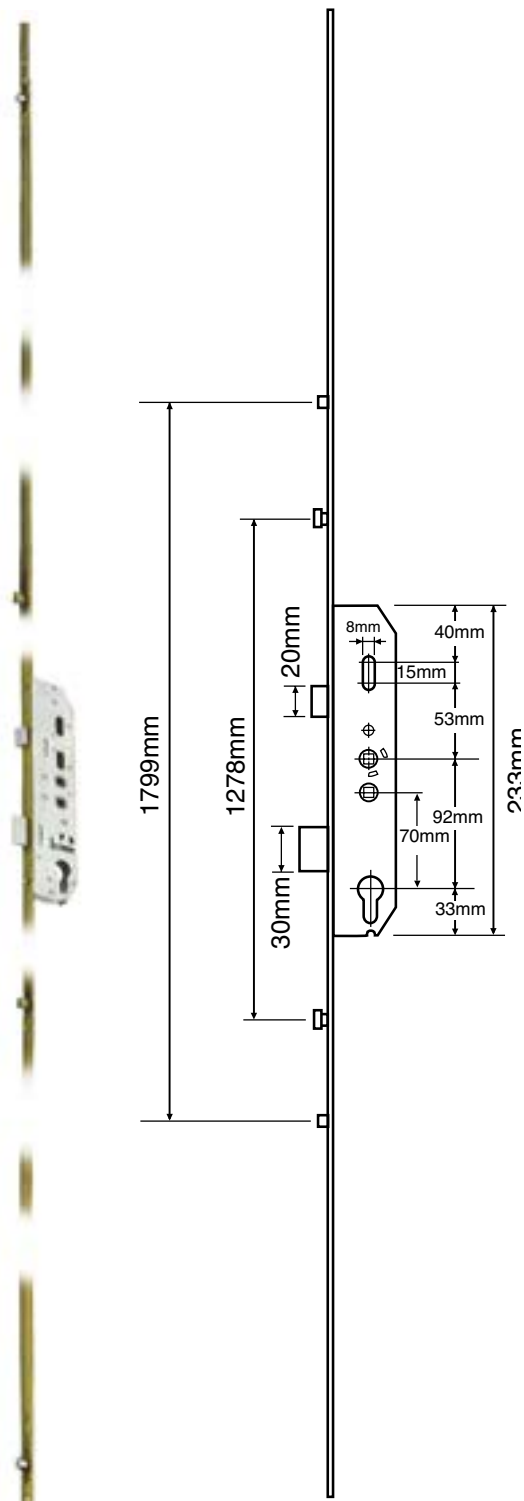


# MILA Lever Operated Latch & Deadbolt Twin Spindle - 2 Roller 2 Mushroom



**DISCONTINUED**

Door



## Features

- Euro Profile Lock Case
- Latch & Deadbolt
- Twin Spindle
- 16mm Faceplate

## Operation

A - Lift lever to engage locking mechanisms and then one full turn of the cylinder to lock. One full turn of the key then push down on the lever to unlock.

## Notes

**Discontinued - either replace the gearbox L18291 or replace the unit with L18706 or use CH10584**

## Gearbox

### MILA Lever Operated Latch & Deadbolt Twin Spindle Gearbox

- L18291 35/92-70
- L23680 35/92-70 Copy



page 42

## Associated Products

### CHAMELEON Pro Adaptable Door Handle

- CH30025 White
- CH30026 Silver
- CH30027 Polished Silver
- CH30028 Gold
- CH30068 Black



page 312

### FERCO E11637-00-0-3 Roller Keep

- L14405 Roller Keep



page 508

### GU 6-3001400 Centre Keep

- L12049 LH
- L12050 RH



page 453

Product Code	Backset	Centre Case	Centres	Mfr Ref.	Spindle
L20645	35mm	Latch & Deadbolt	92/70mm	47133	Twin

Full Units - MILA

# MILA Lever Operated Latch Only - 2 Roller 2 Hook



**DISCONTINUED**

## Features

- Euro Profile Lock Case
- Latch Only
- Single Spindle
- 16mm Faceplate

## Operation

A - Lift lever to engage locking mechanisms and then one full turn of the cylinder to lock. One full turn of the key then push down on the lever to unlock.

## Notes

**Discontinued - Replace the unit with CH10576**

## Gearbox

ASEC Mila Copy Latch Only Gearbox  
L24745 25/92



page  
28

## Associated Products

CHAMELEON Pro Adaptable Door Handle

CH30025 White  
CH30026 Silver  
CH30027 Polished Silver  
CH30028 Gold  
CH30068 Black



page  
312

ASEC 92 Lever/Lever UPVC Furniture -  
220mm Backplate

L18404 Black  
L18405 Chrome  
L18406 Gold  
L18407 White



page  
322

FERCO E11637-00-0-3 Roller Keep

L14405 Roller Keep



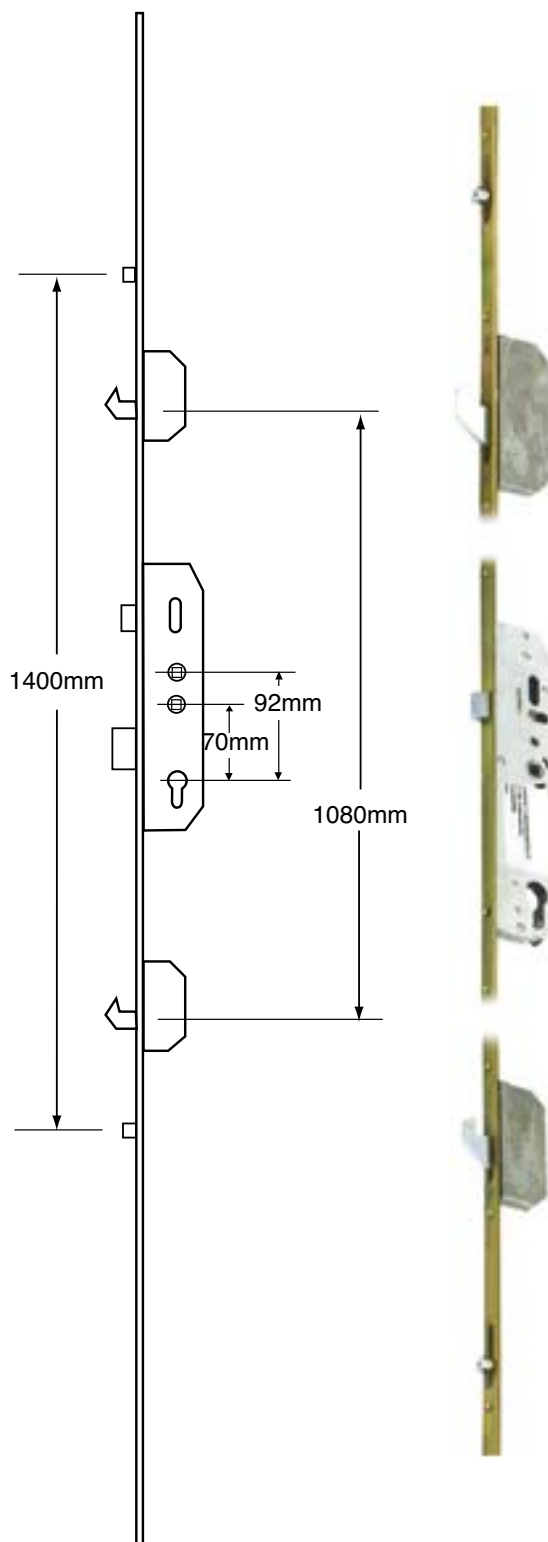
page  
508

FERCO E11639-00-0-3 Latch Keep

L14406 Latch Keep



page  
508

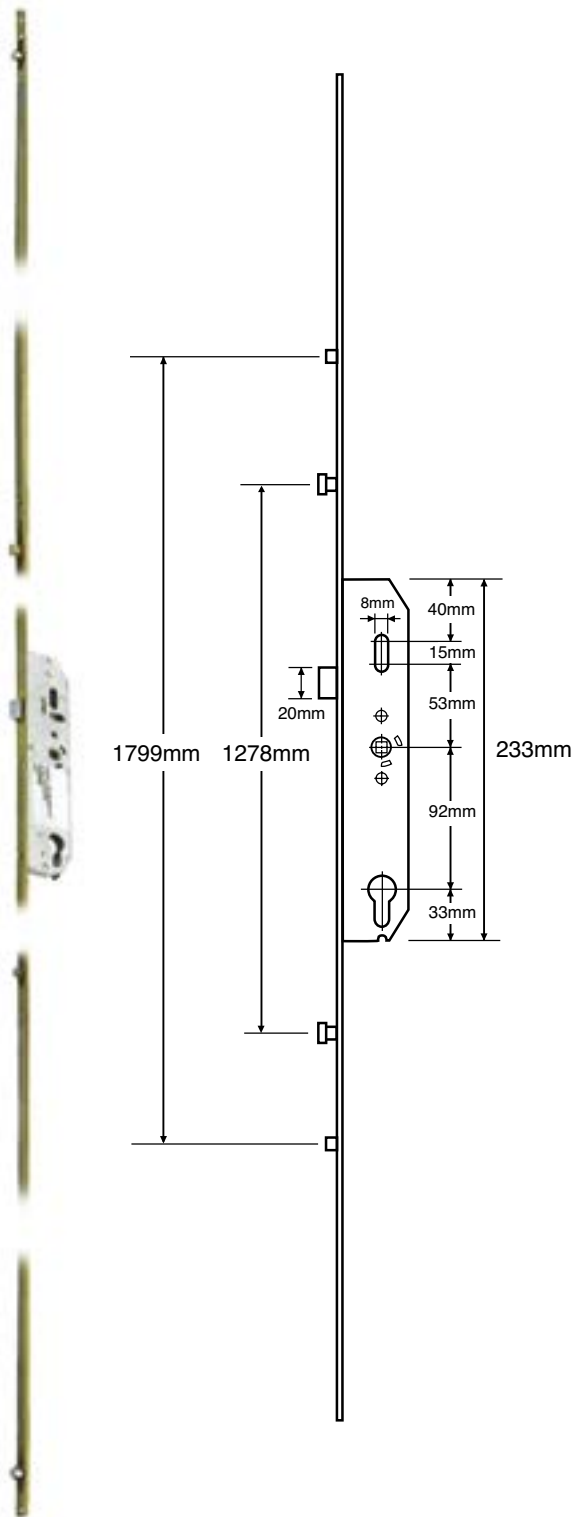


Product Code	Backset	Centre Case	Centres	Mfr Ref.	Spindle
L20646	25mm	Latch Only	92mm	47080	Single

# MILA Lever Operated Latch Only - 2 Roller 2 Mushroom



**DISCONTINUED**



### Features

- Euro Profile Lock Case
- Latch Only
- Single Spindle
- 16mm Faceplate


### Operation

A - Lift lever to engage locking mechanisms and then one full turn of the cylinder to lock. One full turn of the key then push down on the lever to unlock.


### Notes


**Discontinued - Replace with CH10584, some altering of keeps may be required and centre deadbolt fitting.**

### Gearbox


**ASEC Mila Copy Latch Only Gearbox**  
L18290 35/92  page 28

### Associated Products

**CHAMELEON Pro Adaptable Door Handle**  
CH30025 White  
CH30026 Silver  
CH30027 Polished Silver  
CH30028 Gold  
CH30068 Black  page 312

**ASEC 92 Lever/Lever UPVC Furniture - 220mm Backplate**  
L18404 Black  
L18405 Chrome  
L18406 Gold  
L18407 White  page 322

**FERCO E11639-00-0-3 Latch Keep**  
L14406 Latch Keep  page 508

**GU 9-379870003 Mushroom Keep**  
L12052 Mushroom Keep  page 515

Product Code	Backset	Centre Case	Centres	Mfr Ref.	Spindle	Rollers	Mushrooms
L20642	35mm	Latch Only	92mm	47047	Single	2	2

# MILA Lever Operated Latch Only - 2 Roller with Extension Pieces



**DISCONTINUED**

## Features

- Euro Profile Lock Case
- Latch Only
- Single Spindle
- 16mm Faceplate

## Operation

A - Lift lever to engage locking mechanisms and then one full turn of the cylinder to lock. One full turn of the key then push down on the lever to unlock.

## Notes

**Discontinued - Either replace the gearbox L18290 or Replace the unit with CH10584.**

## Gearbox

ASEC Mila Copy Latch Only Gearbox  
L18290 35/92



page  
28

## Associated Products

CHAMELEON Pro Adaptable Door Handle

CH30025 White  
CH30026 Silver  
CH30027 Polished Silver  
CH30028 Gold  
CH30068 Black



page  
312

ASEC 92 Lever/Lever UPVC Furniture -  
220mm Backplate

L18404 Black  
L18405 Chrome  
L18406 Gold  
L18407 White



page  
322

FERCO E11637-00-0-3 Roller Keep

L14405 Roller Keep



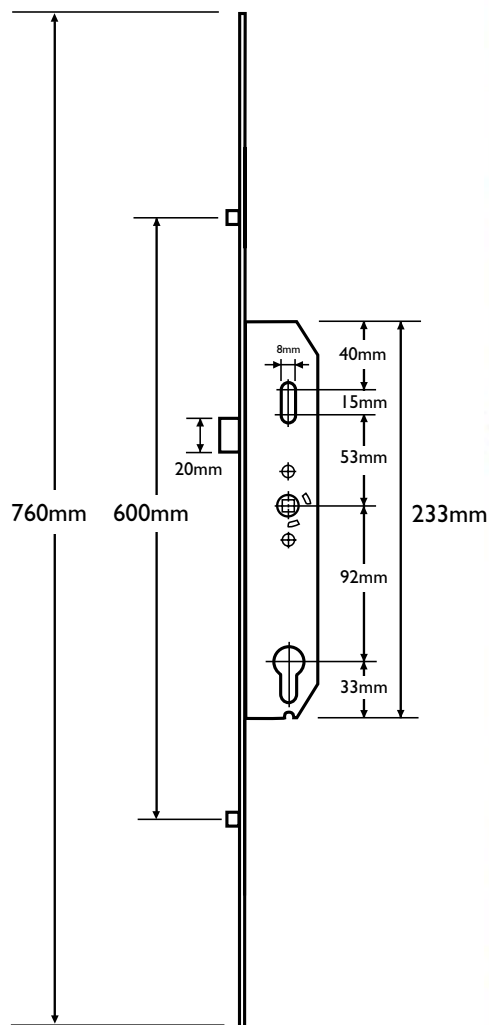
page  
508

FERCO E11639-00-0-3 Latch Keep

L14406 Latch Keep

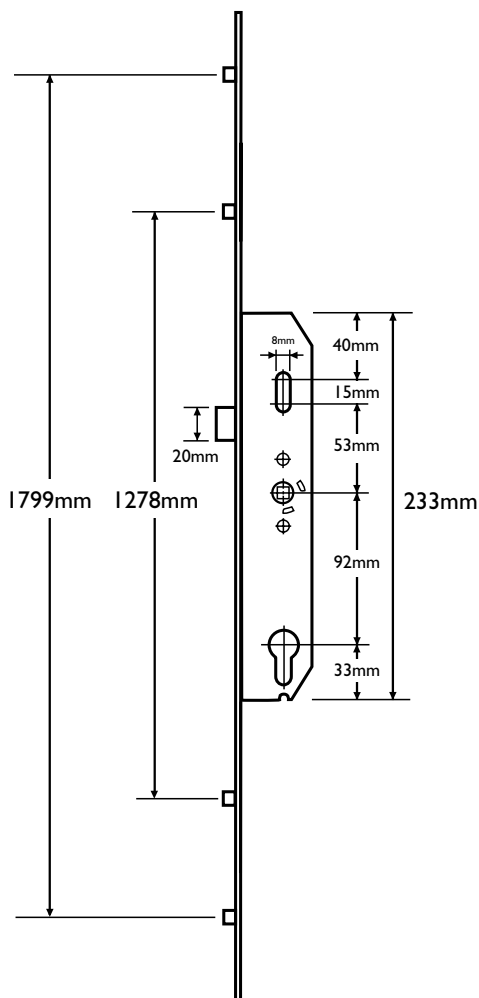


page  
508



Product Code	Backset	Centres	Spindle	Centre Case	Mfr Ref.	Rollers
L20639	35mm	92mm	Single	Latch Only	47114	2

# MILA Lever Operated Latch Only - 4 Roller


**DISCONTINUED**


## Features

- Euro Profile Lock Case
- Latch Only
- Single Spindle
- 16mm Faceplate

## Operation

A - Lift lever to engage locking mechanisms and then one full turn of the cylinder to lock. One full turn of the key then push down on the lever to unlock.

## Notes

**Discontinued - Either replace the gearbox L18290 or Replace the unit with CH10584.**

## Gearbox

### ASEC Mila Copy Latch Only Gearbox

L18290 35/92



page  
28

## Associated Products

### CHAMELEON Pro Adaptable Door Handle

CH30025 White  
CH30026 Silver  
CH30027 Polished Silver  
CH30028 Gold  
CH30068 Black



page  
312

### ASEC 92 Lever/Lever UPVC Furniture - 220mm Backplate

L18404 Black  
L18405 Chrome  
L18406 Gold  
L18407 White



page  
322

### FERCO E11637-00-0-3 Roller Keep

L14405 Roller Keep



page  
508

### FERCO E11639-00-0-3 Latch Keep

L14406 Latch Keep



page  
508

Product Code	Backset	Centres	Spindle	Centre Case	Mfr Ref.	Rollers
L20641	35mm	92mm	Single	Latch Only	47045	4

# MILA Lever Operated Latch Only - 4 Roller with Extension Pieces



**DISCONTINUED**

## Features

- Euro Profile Lock Case
- Latch Only
- Single Spindle
- 16mm Faceplate

## Operation

A - Lift lever to engage locking mechanisms and then one full turn of the cylinder to lock. One full turn of the key then push down on the lever to unlock.

## Notes

**Discontinued - Replace the unit with CH10584.**

## Gearbox

### ASEC Mila Copy Latch Only Gearbox

L24745 25/92  
L18290 35/92



page  
28

## Associated Products

### CHAMELEON Pro Adaptable Door Handle

CH30025 White  
CH30026 Silver  
CH30027 Polished Silver  
CH30028 Gold  
CH30068 Black



page  
312

### ASEC 92 Lever/Lever UPVC Furniture - 220mm Backplate

L18404 Black  
L18405 Chrome  
L18406 Gold  
L18407 White



page  
322

### FERCO E11637-00-0-3 Roller Keep

L14405 Roller Keep



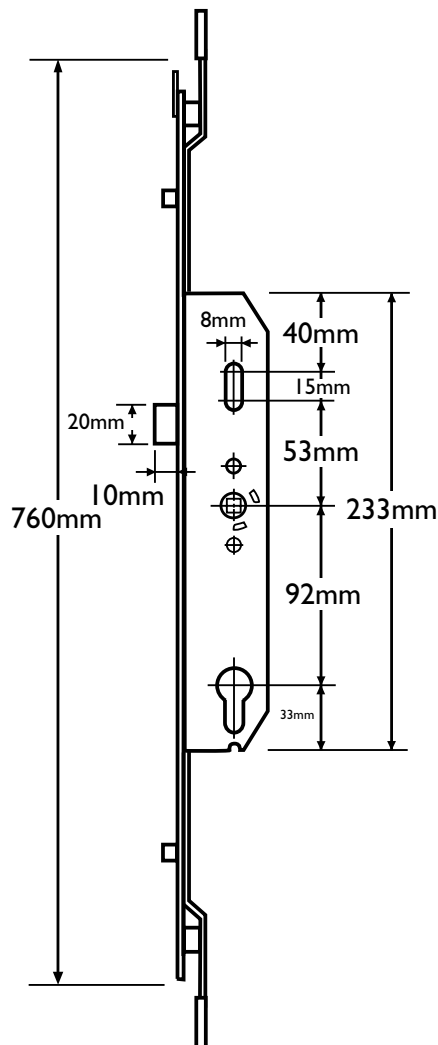
page  
508

### FERCO E11639-00-0-3 Latch Keep

L14406 Latch Keep

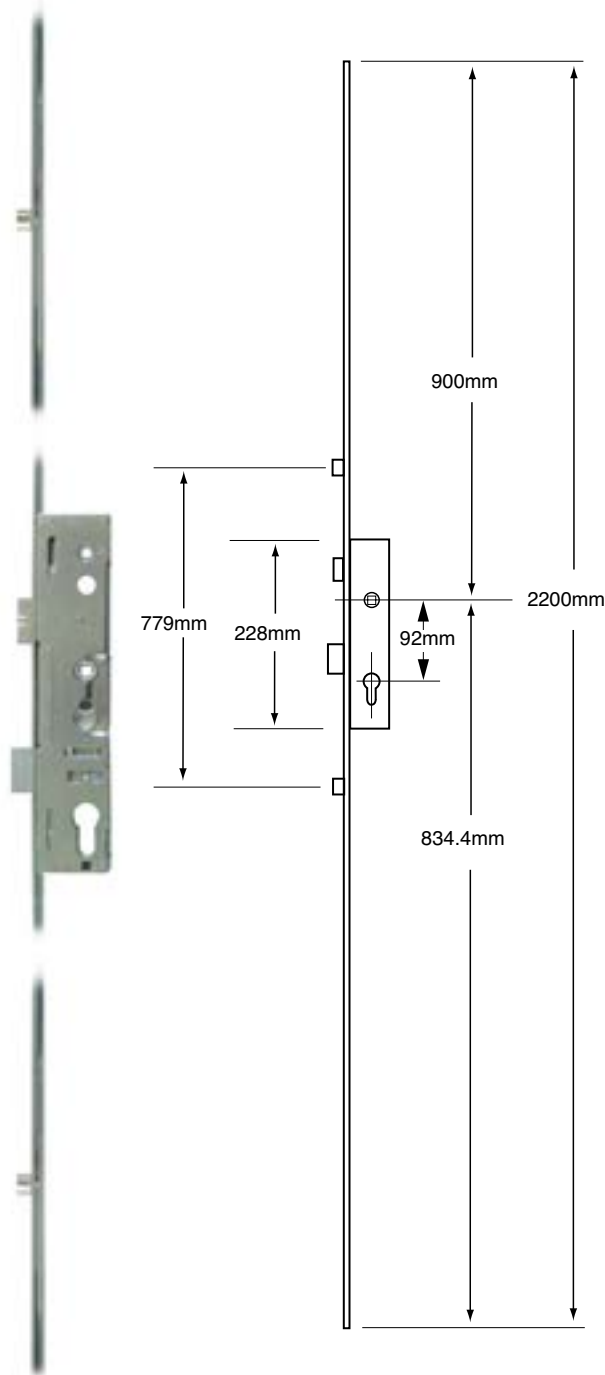


page  
508



Product Code	Backset	Centres	Centre Case	Spindle	Mfr Ref.	Rollers
<b>L20634</b>	25mm	92mm	Latch Only	Single	47010	4
<b>L20636</b>	35mm	92mm	Latch Only	Single	47020	4

# MILA Master Lever Operated Latch & Deadbolt Attachment For Shoot Bolts - 2 Roller



## Features

- Euro Profile Lock Case
- Latch & Deadbolt
- Single Spindle
- 16mm Faceplate
- With attachment for top and bottom shoot bolts

## Operation

A - Lift lever to engage locking mechanisms and then one full turn of the cylinder to lock. One full turn of the key then push down on the lever to unlock.

## Gearbox

YALE Doormaster Lever Operated Latch & Deadbolt Single Spindle Gearbox To Suit Lockmaster

L18758 35/92



page  
53

## Associated Products

CHAMELEON Pro Adaptable Door Handle

CH30025 White  
CH30026 Silver  
CH30027 Polished Silver  
CH30028 Gold  
CH30068 Black



page  
312

ASEC 92 Lever/Lever UPVC Furniture - 220mm Backplate

L18404 Black  
L18405 Chrome  
L18406 Gold  
L18407 White



page  
322

GU 9-379860003 Roller Keep

L12051 Roller Keep



page  
515

LOCKMASTER Centre Keep

L15393 LH  
L15394 RH



page  
501

Product Code	Backset	Centres	Spindle	Centre Case	Mfr Ref.	Rollers
L18376	35mm	92mm	Single	Latch & Deadbolt	41006	2

# MILA Master Lever Operated Latch & Deadbolt Twin Spindle - 2 Hook & 4 Roller



## Features

- Euro Profile Lock Case
- Latch & Deadbolt
- Twin Spindle
- 16mm Faceplate

## Operation

A - Lift lever to engage locking mechanisms and then one full turn of the cylinder to lock. One full turn of the key then push down on the lever to unlock

## Gearbox

### YALE Doormaster Lever Operated Latch & Deadbolt Twin Spindle Gearbox

L18756 35/92  
L18757 45/92-62



page  
54

## Associated Products

### CHAMELEON Pro Adaptable Door Handle

CH30025 White  
CH30026 Silver  
CH30027 Polished Silver  
CH30028 Gold  
CH30068 Black



page  
312

### ASEC 92 Lever/Lever UPVC Furniture - 220mm Backplate

L18404 Black  
L18405 Chrome  
L18406 Gold  
L18407 White



page  
322

### GU 9-379860003 Roller Keep

L12051 Roller Keep



page  
515

### LOCKMASTER Centre Keep

L15393 LH  
L15394 RH



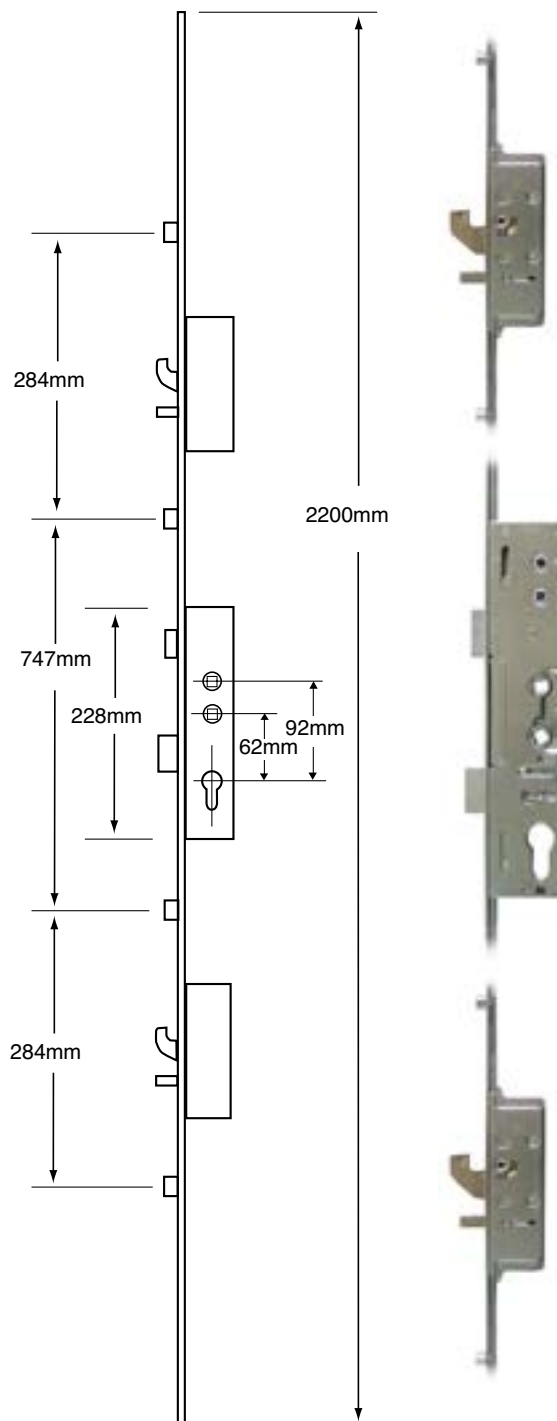
page  
501

### MILA Master Full Length Keep - 2 Hook & 4 Roller

L24327 LH  
L24328 RH



page  
516



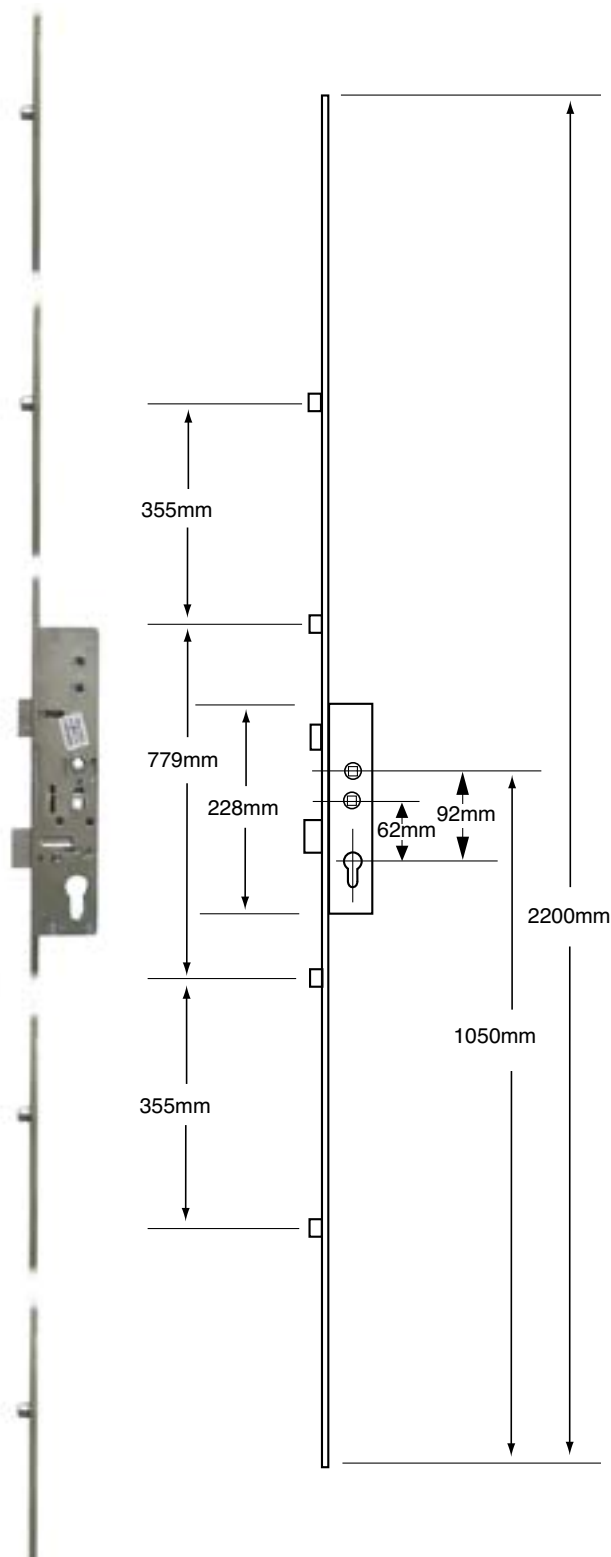
Product Code	Backset	Centres	Centre Case	Spindle	Mfr Ref.	Anti-Lifts	Hooks	Rollers
L18379	35mm	92/62mm	Latch & Deadbolt	Twin	47241	2	2	4



# MILA Master Lever Operated Latch & Deadbolt Twin Spindle - 4 Roller



Door



## Features

- Euro Profile Lock Case
- Latch & Deadbolt
- Twin Spindle
- 16mm Faceplate

## Operation

A - Lift lever to engage locking mechanisms and then one full turn of the cylinder to lock. One full turn of the key then push down on the lever to unlock

## Gearbox

### YALE Doormaster Lever Operated Latch & Deadbolt Twin Spindle Gearbox

- L18756 35/92
- L18757 45/92-62



page 54

## Associated Products

### CHAMELEON Pro Adaptable Door Handle

- CH30025 White
- CH30026 Silver
- CH30027 Polished Silver
- CH30028 Gold
- CH30068 Black



page 312

### ASEC 92 Lever/Lever UPVC Furniture - 220mm Backplate

- L18404 Black
- L18405 Chrome
- L18406 Gold
- L18407 White



page 322

### GU 9-379860003 Roller Keep

- L12051 Roller Keep



page 515

### LOCKMASTER Centre Keep

- L15393 LH
- L15394 RH



page 501

Product Code	Backset	Centres	Spindle	Centre Case	Mfr Ref.	Rollers
L18375	35mm	92/62mm	Twin	Latch & Deadbolt	41024	4

Full Units - MILA

# MILLENCO Lever Operated Latch & Hook Bolt Twin Spindle - 2 Hook 2 Deadbolt



## Features

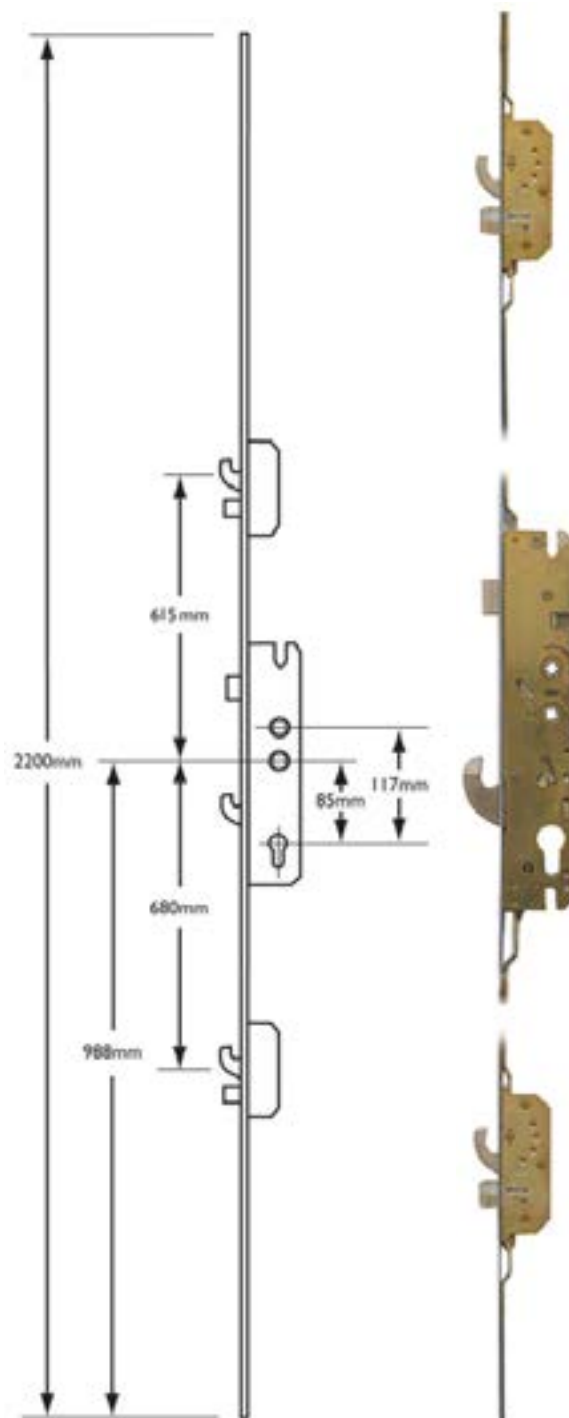
- Euro Profile Lock Case
- Latch & Hook Bolt
- Twin Spindle
- 16mm Faceplate

## Operation

A - Lift lever to engage locking mechanisms and then one full turn of the cylinder to lock. One full turn of the key then push down on the lever to unlock

## Notes

Keeps special order only



## Associated Products

### CHAMELEON Pro Adaptable Door Handle

- CH30025 White
- CH30026 Silver
- CH30027 Polished Silver
- CH30028 Gold
- CH30068 Black



page  
312

### ASEC 117 Lever/Lever UPVC Furniture - 270mm Backplate

- AS10195 White
- AS10196 Gold



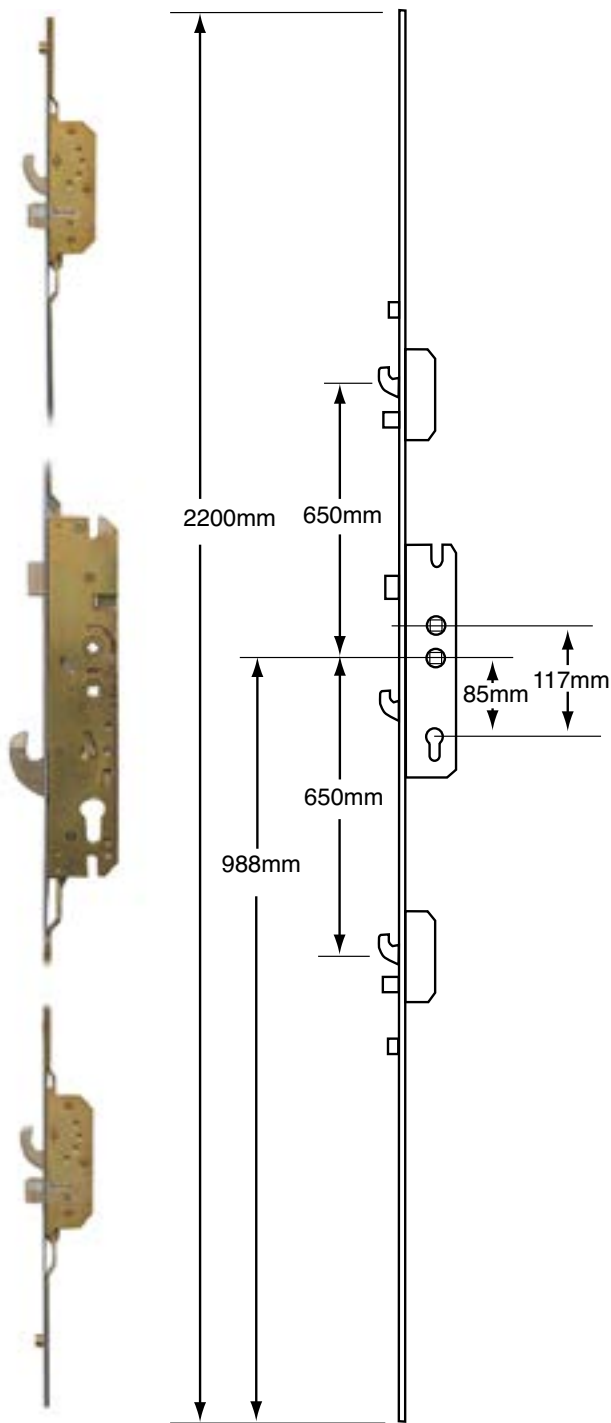
page  
350

Product Code	Backset	Centres	Spindle	Centre Case	Mfr Ref.	Deadbolts	Hooks
L15611	35mm	117-85mm	Twin	Latch & Hook Bolt	MPL300012	2	2

# MILLENCO Lever Operated Latch & Hook Bolt Twin Spindle - 2 Roller 2 Hook 2 Deadbolt



Door



### Features

- Euro Profile Lock Case
- Latch & Hook Bolt
- Twin Spindle
- 16mm Faceplate

### Operation

A - Lift lever to engage locking mechanisms and then one full turn of the cylinder to lock. One full turn of the key then push down on the lever to unlock.

### Notes

Keeps special order only.

### Associated Products

#### CHAMELEON Pro Adaptable Door Handle

- CH30025 White
- CH30026 Silver
- CH30027 Polished Silver
- CH30028 Gold
- CH30068 Black



page 312

#### ASEC 117 Lever/Lever UPVC Furniture - 270mm Backplate

- AS10195 White
- AS10196 Gold



page 350

Product Code	Backset	Centres	Spindle	Centre Case	Mfr Ref.	Deadbolts	Hooks	Rollers
L16395	35mm	117/85mm	Twin	Latch & Hook Bolt	MPL300112	2	2	2

Full Units -

# MILLENCO Mantis 2 Lever Operated Latch & Hook Bolt 95/65 Twin Spindle - 2 Hook 2 Deadbolt 2 Roller



## Features

- 16mm Stainless Steel Faceplate
- 35mm Backset
- Suits 95mm handle with springing
- 2 Roller Cams
- 2 Spindles
- Euro Profile Lock Case

## Overview

The Millenco Mantis 2 is a latch & hook bolt system with 95mm centres and a 35mm backset. Together with a stainless steel faceplate, this product has 2 roller cams, 2 spindles and a Euro profile lock case.

The Millenco Mantis 2 can be operated by using a 95mm handle with springing, which is sold separately.

## Operation

A - Lift lever to engage locking mechanisms and then one full turn of the cylinder to lock. One full turn of the key then push down on the lever to unlock.

## Associated Products

### CHAMELEON Pro Adaptable Door Handle

CH30025	White
CH30026	Silver
CH30027	Polished Silver
CH30028	Gold
CH30068	Black



page  
312

### MILLENCO 95PZ Arizona Lever/Lever Handles

L23580	Lever / Lever
--------	---------------



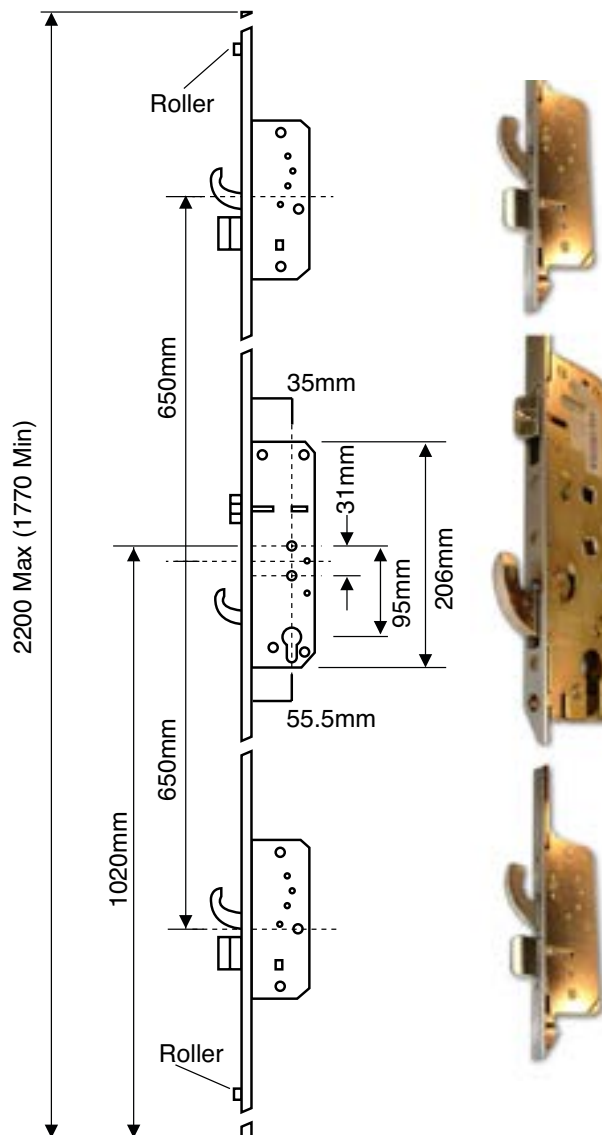
page  
349

### MILLENCO 95PZ Arizona Lever/Pad Handles

L23581	Lever / Pad
--------	-------------



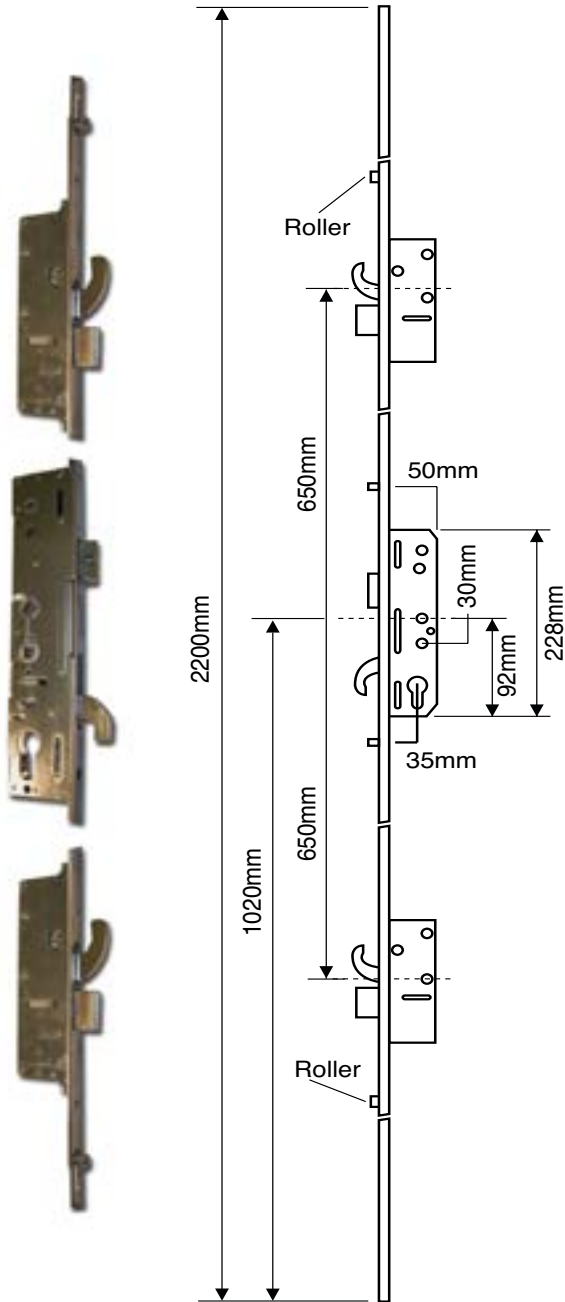
page  
349



Product Code	Backset	Centres	Spindle	Centre Case	Mfr Ref.	Deadbolts	Hooks	Rollers
L23679	35mm	95/65mm	Twin	Latch & Hook Bolt	3021	2	2	2



# MILLENCO Mantis 3 Lever Operated Latch & Hook Bolt 92/62 Twin Spindle - 2 Hook 2 Deadbolt 2 Roller



## Features

- Euro Profile Lock Case
- Latch & Hook Bolt
- Twin Spindle
- 16mm Faceplate

## Overview

The Millenco Mantis 3 is a latch & hook bolt system with 92/62mm centres and a 35mm backset. Together with a 16mm stainless steel faceplate this product has 2 roller cams, 2 deadbolts & 2 hooks in addition to the twin spindle euro profile latch & hooklock lock case. The Millenco Mantis 3 can be operated by using a 92/62mm handle with springing, which is sold separately.

## Operation

A - Lift lever to engage locking mechanisms and then one full turn of the cylinder to lock. One full turn of the key then push down on the lever to unlock..

## Associated Products

### CHAMELEON Pro Adaptable Door Handle

- CH30025 White
- CH30026 Silver
- CH30027 Polished Silver
- CH30028 Gold
- CH30068 Black



page 312

### ASEC 92 Lever/Lever UPVC Furniture - 240mm Backplate

- L18398 Chrome
- L18399 Gold
- L18400 White



page 323

Product Code	Backset	Centres	Spindle	Centre Case	Deadbolts	Mfr Ref.	Hooks	Rollers
L23709	35mm	92/62mm	Twin	Latch & Hook Bolt	2	3MML0007	2	2

# ROTO H600 3RDL2201 Latch & Deadbolt Single Spindle - 2 Hook 2 (V Cam) Mushroom

35 92



## Features

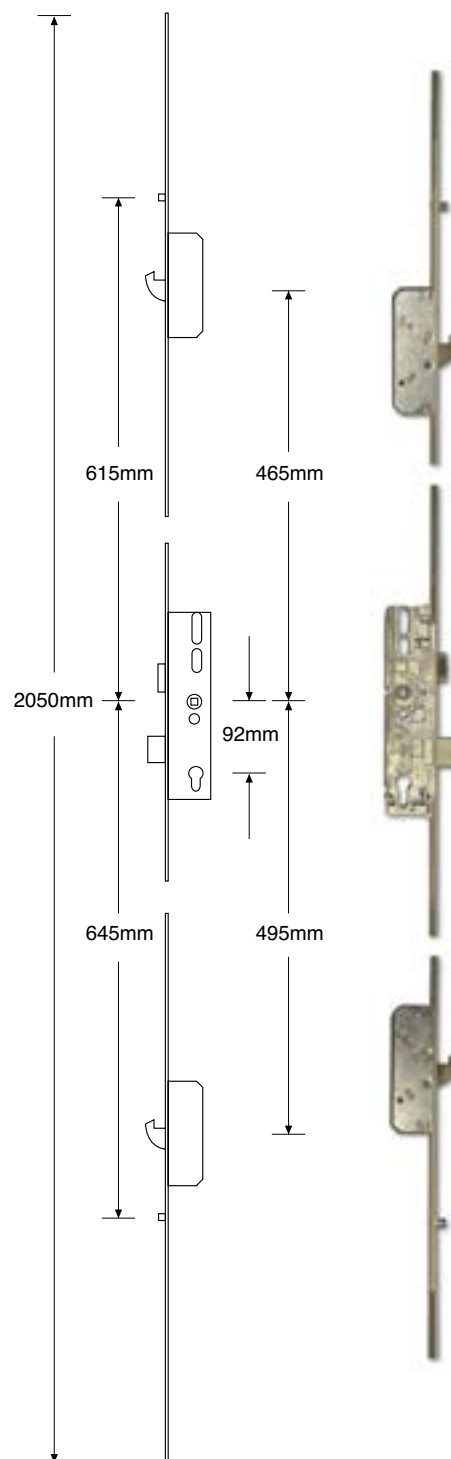
- Single spindle
- 92mm Centres
- 35mm Backset
- 16mm Faceplate
- Euro profile lock case
- 2 Hook & 2 V Cams / Mushrooms

## Overview

The H600 3RDL2201 is a full multipoint lock unit by Roto with a single spindle, 2 Hooks and 2 V Cams / Mushrooms.

## Operation

A - Lift lever to engage locking mechanisms and then one full turn of the cylinder to lock. One full turn of the key then push down on the lever to unlock..



## Associated Products

### CHAMELEON Pro Adaptable Door Handle

- CH30025 White
- CH30026 Silver
- CH30027 Polished Silver
- CH30028 Gold
- CH30068 Black

page  
312

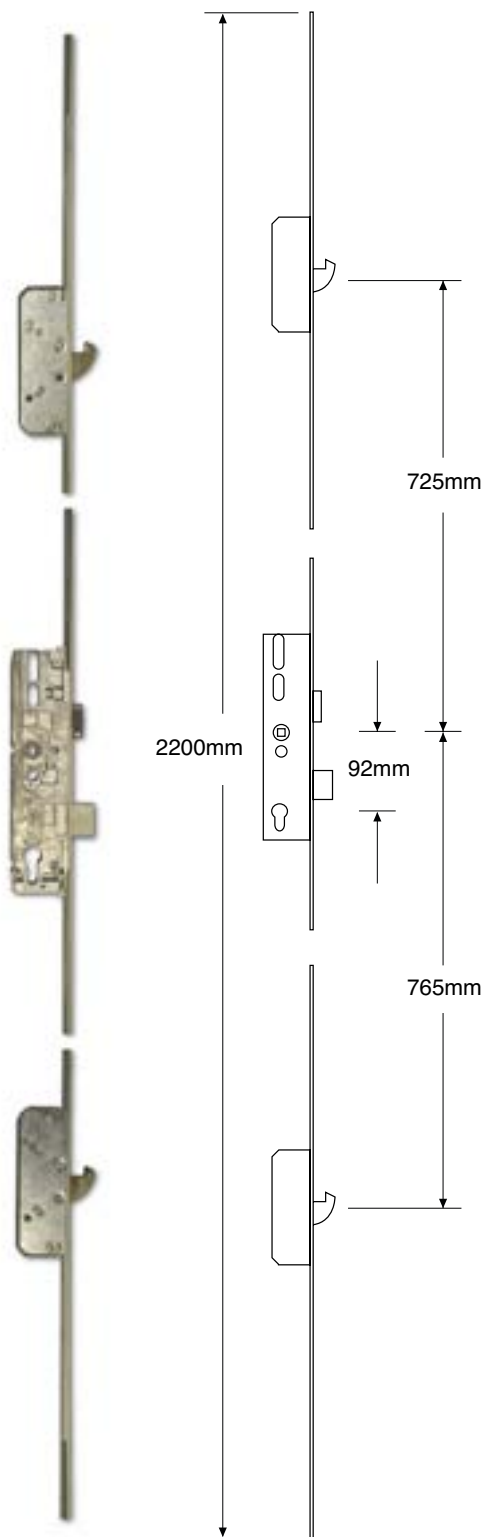
### ASEC 92 Lever/Lever UPVC Furniture - 220mm Backplate

- L18404 Black
- L18405 Chrome
- L18406 Gold
- L18407 White

page  
322

Product Code	Backset	Centres	Spindle	Centre Case	Mfr Ref.	Hooks	Mushrooms
L23937	35mm	92mm	Single	50mm	H600 3RDL2201	2	2

# ROTO H600 3RDL2202 Latch & Deadbolt Single Spindle - 2 Hook



## Features

- Single spindle
- 92mm Centres
- 35mm Backset
- 16mm Faceplate
- Euro profile lock case
- 2 Hook

## Overview

The H600 3RDL2202 is a full multipoint lock unit by Roto with a single spindle and 2 Hooks.

## Operation

A - Lift lever to engage locking mechanisms and then one full turn of the cylinder to lock. One full turn of the key then push down on the lever to unlock

## Associated Products

### CHAMELEON Pro Adaptable Door Handle

CH30025	White
CH30026	Silver
CH30027	Polished Silver
CH30028	Gold
CH30068	Black



page  
312

### ASEC 92 Lever/Lever UPVC Furniture - 220mm Backplate

L18404	Black
L18405	Chrome
L18406	Gold
L18407	White



page  
322

Product Code	Backset	Centres	Spindle	Mfr Ref.	Hooks
L23936	35mm	92mm	Single	H600 3RDL2202	2

# ROTO H600 3RDL2206 Latch & Deadbolt Single Spindle - 4 (V Cam) Mushroom

35 92



## Features

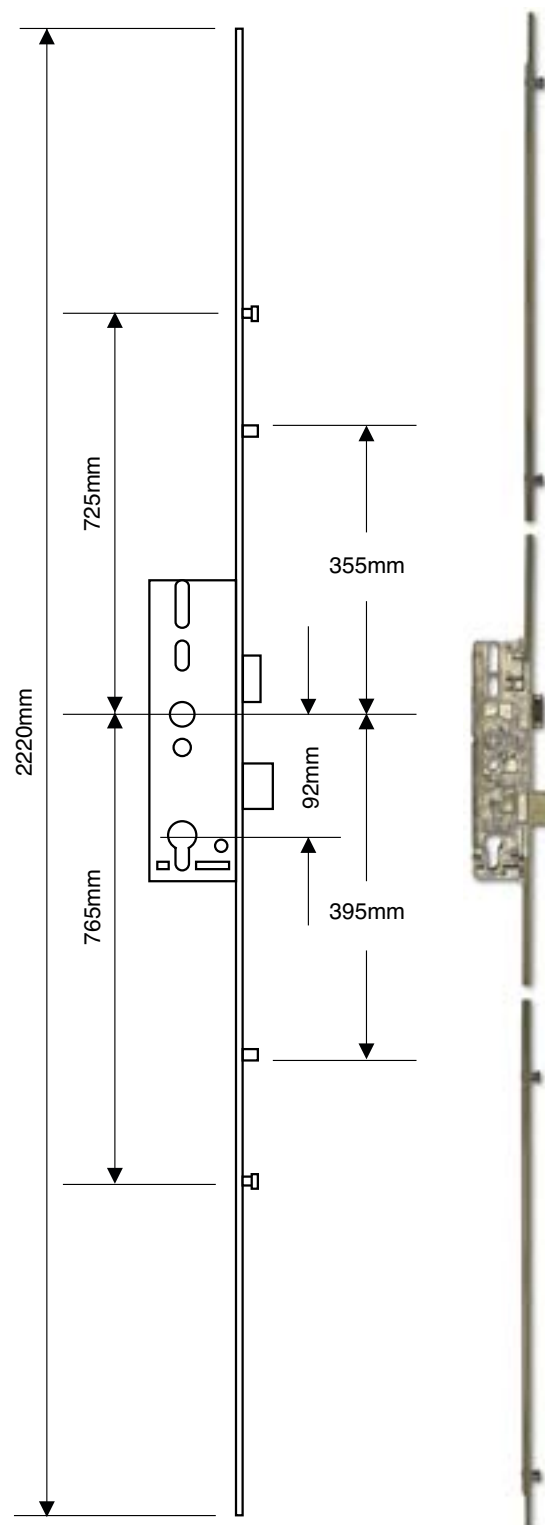
- Single spindle
- 92mm Centres
- 35mm Backset
- 16mm Faceplate
- Euro profile lock case
- 4 V Cams / Mushrooms

## Overview

The H600 3RDL2206 is a full multipoint lock unit by Roto with a single spindle and 4 V Cams / Mushrooms.

## Operation

A - Lift lever to engage locking mechanisms and then one full turn of the cylinder to lock. One full turn of the key then push down on the lever to unlock.



## Associated Products

### CHAMELEON Pro Adaptable Door Handle

CH30025	White
CH30026	Silver
CH30027	Polished Silver
CH30028	Gold
CH30068	Black

page  
312

### ASEC 92 Lever/Lever UPVC Furniture - 220mm Backplate

L18404	Black
L18405	Chrome
L18406	Gold
L18407	White

page  
322

Product Code	Backset	Centres	Spindle	Centre Case	Mfr Ref.	Mushrooms
L23938	35mm	92mm	Single	50mm	H600 3RDL2206	4



# ROTO Lever Operated Latch & Deadbolt Twin Spindle - 2 Hook


**DISCONTINUED**

## Features

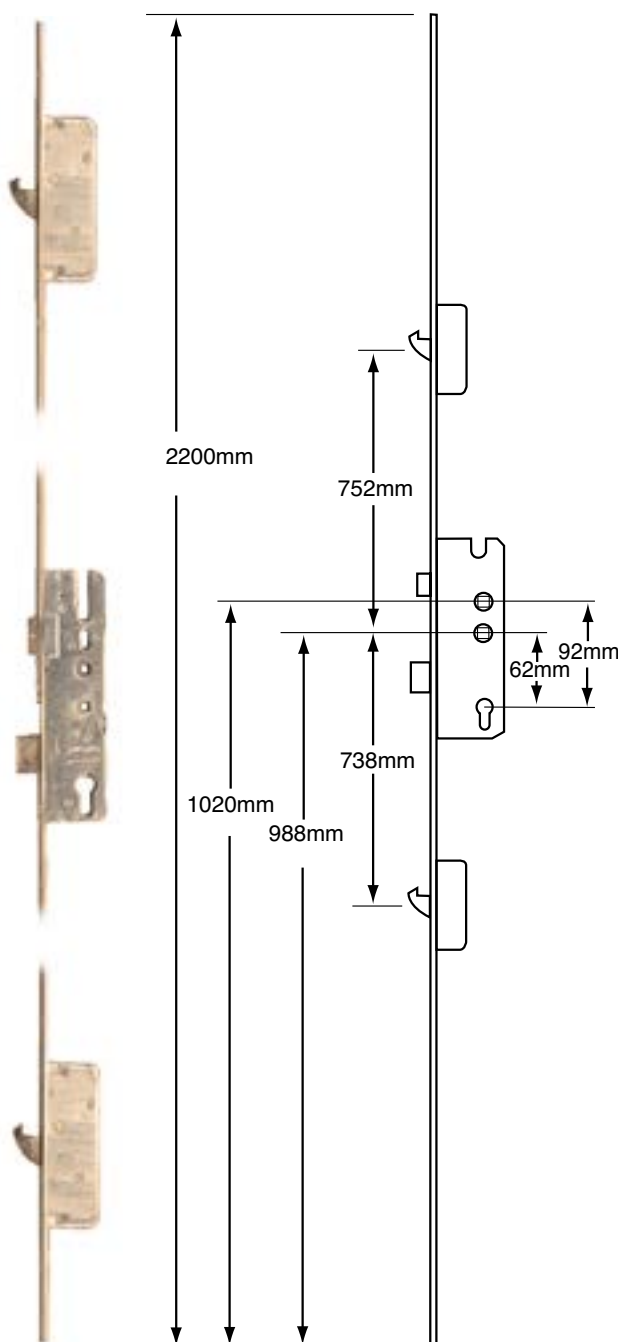
- Euro Profile Lock Case
- Latch & Deadbolt
- Twin Spindle
- 16mm Faceplate

## Operation

A - Lift lever to engage locking mechanisms and then one full turn of the cylinder to lock. One full turn of the key then push down on the lever to unlock.

## Notes

**Discontinued - Replace the unit with L23936, some extra work may be required.**



## Associated Products

### CHAMELEON Pro Adaptable Door Handle

CH30025	White
CH30026	Silver
CH30027	Polished Silver
CH30028	Gold
CH30068	Black


 page  
312

### ASEC 92 Lever/Lever UPVC Furniture - 220mm Backplate

L18404	Black
L18405	Chrome
L18406	Gold
L18407	White


 page  
322

### GU Hook Bolt Keep

L15385	Hook Bolt Keep
--------	----------------


 page  
516

Product Code	Backset	Centres	Spindle	Centre Case	Mfr Ref.	Hooks
L15337	35mm	92/62mm	Twin	Latch & Deadbolt	H5P 391686	2

# ROTO Slide Cam Lever Operated Latch & Deadbolt Twin Spindle - 2 Hook 2 Slide Cam

**DISCONTINUED**

35 92  
62



## Features

- Euro Profile Lock Case
- Latch & Deadbolt
- Twin Spindle
- 16mm Faceplate

## Operation

A - Lift lever to engage locking mechanisms and then one full turn of the cylinder to lock. One full turn of the key then push down on the lever to unlock.

## Notes

**Discontinued - Replace with the Yale Doormaster L18706. Or replace the unit with unit CH10579.**

## Associated Products

### CHAMELEON Pro Adaptable Door Handle

CH30025	White
CH30026	Silver
CH30027	Polished Silver
CH30028	Gold
CH30068	Black



page  
312

### ASEC 92 Lever/Lever UPVC Furniture - 220mm Backplate

L18404	Black
L18405	Chrome
L18406	Gold
L18407	White



page  
322

### GU 9-379870003 Mushroom Keep

L12052	Mushroom Keep
--------	---------------



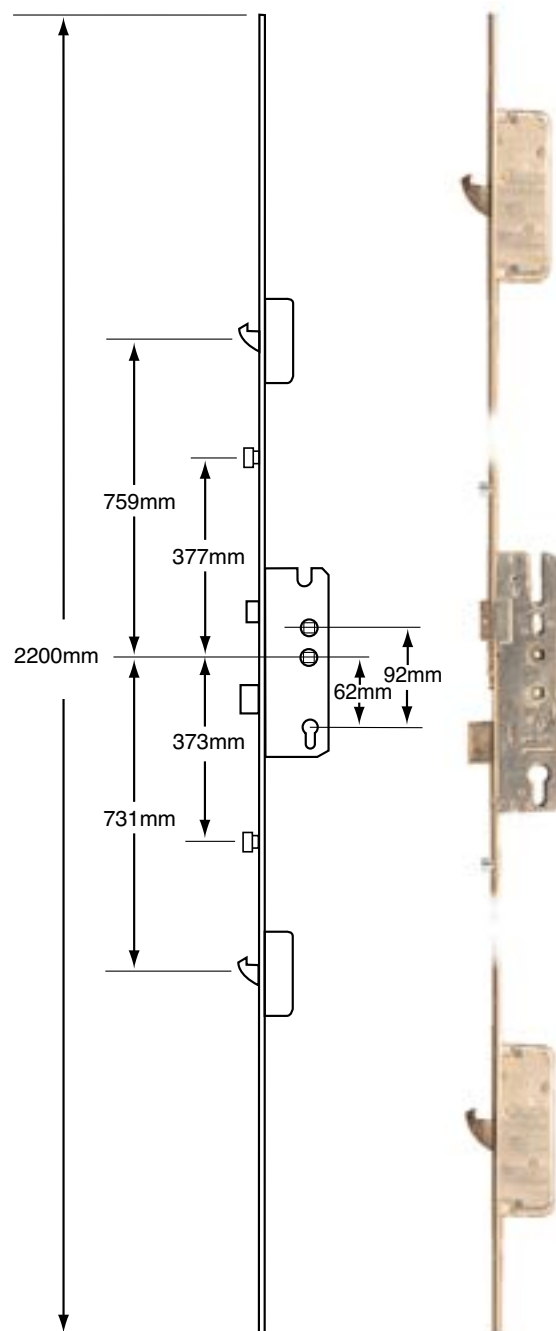
page  
515

### GU Hook Bolt Keep

L15385	Hook Bolt Keep
--------	----------------

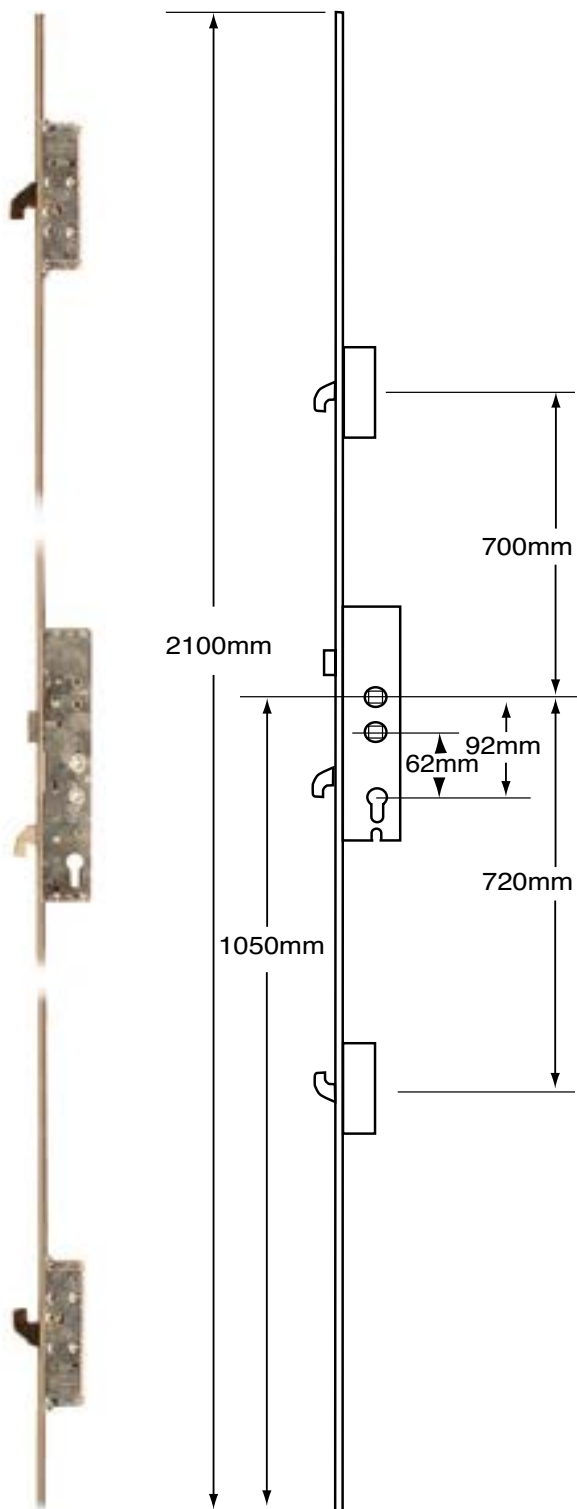


page  
516



Product Code	Backset	Centres	Spindle	Centre Case	Mfr Ref.	Hooks	Mushrooms	Rollers
<b>L18380</b>	35mm	92/62mm	Twin	Latch & Deadbolt	HSP 391686	2	2	2

# SAFEWARE 3 Lever Operated Latch & Hook Bolt Twin Spindle - 2 Hook



## Features

- Euro Profile Lock Case
- Latch & Hook Bolt
- Twin Spindle
- 16mm Faceplate

## Operation

A - Lift lever to engage locking mechanisms and then one full turn of the cylinder to lock. One full turn of the key then push down on the lever to unlock.

## Notes

Attachment for Shoot bolts.

## Gearbox

### SAFEWARE Lever Operated Latch & Hook Gearbox with Twin Spindle

L21830 35/92-62



page  
43

## Associated Products

### CHAMELEON Pro Adaptable Door Handle

CH30025 White  
CH30026 Silver  
CH30027 Polished Silver  
CH30028 Gold  
CH30068 Black



page  
312

### ASEC 92 Lever/Lever UPVC Furniture - 240mm Backplate

L18398 Chrome  
L18399 Gold  
L18400 White



page  
323

### GU 6-3001400 Centre Keep

L12049 LH  
L12050 RH



page  
453

### GU Hook Bolt Keep

L15385 Hook Bolt Keep



page  
516

Product Code	Backset	Centres	Spindle	Centre Case	Mfr Ref.	Hooks
L18381	35mm	92/62mm	Twin	Latch & Hook Bolt	7251 No 3	2

# SAFEWARE Lever Operated Latch & Hook Bolt Twin Spindle - 2 Hook 4 Roller

92  
62

35

SAFEWARE 

## Features

- Euro Profile Lock Case
- Latch & Hook Bolt
- Twin Spindle
- 16mm Faceplate

## Operation

A - Lift lever to engage locking mechanisms and then one full turn of the cylinder to lock. One full turn of the key then push down on the lever to unlock

## Gearbox

SAFEWARE Lever Operated Latch & Hook  
Gearbox with Twin Spindle

L21830 35/92-62



page  
43

## Associated Products

CHAMELEON Pro Adaptable Door Handle

CH30025 White  
CH30026 Silver  
CH30027 Polished Silver  
CH30028 Gold  
CH30068 Black



page  
312

FERCO E11637-00-0-3 Roller Keep

L14405 Roller Keep



page  
508

GU 6-3001400 Centre Keep

L12049 LH  
L12050 RH



page  
453

GU 9-379860003 Roller Keep

L12051 Roller Keep



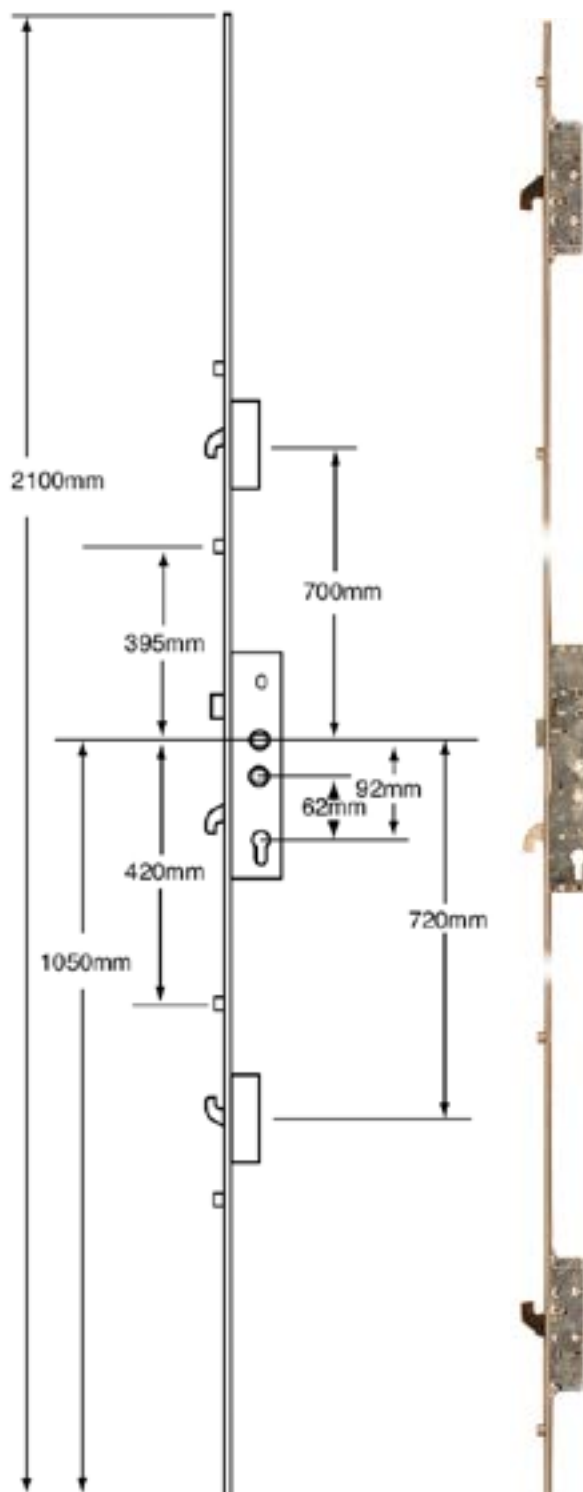
page  
515

GU Hook Bolt Keep

L15385 Hook Bolt Keep



page  
516



Product Code	Backset	Centres	Spindle	Centre Case	Mfr Ref.	Hooks	Rollers
L15358	35mm	92/62mm	Twin	Latch & Hook Bolt	7258 No 7	2	4

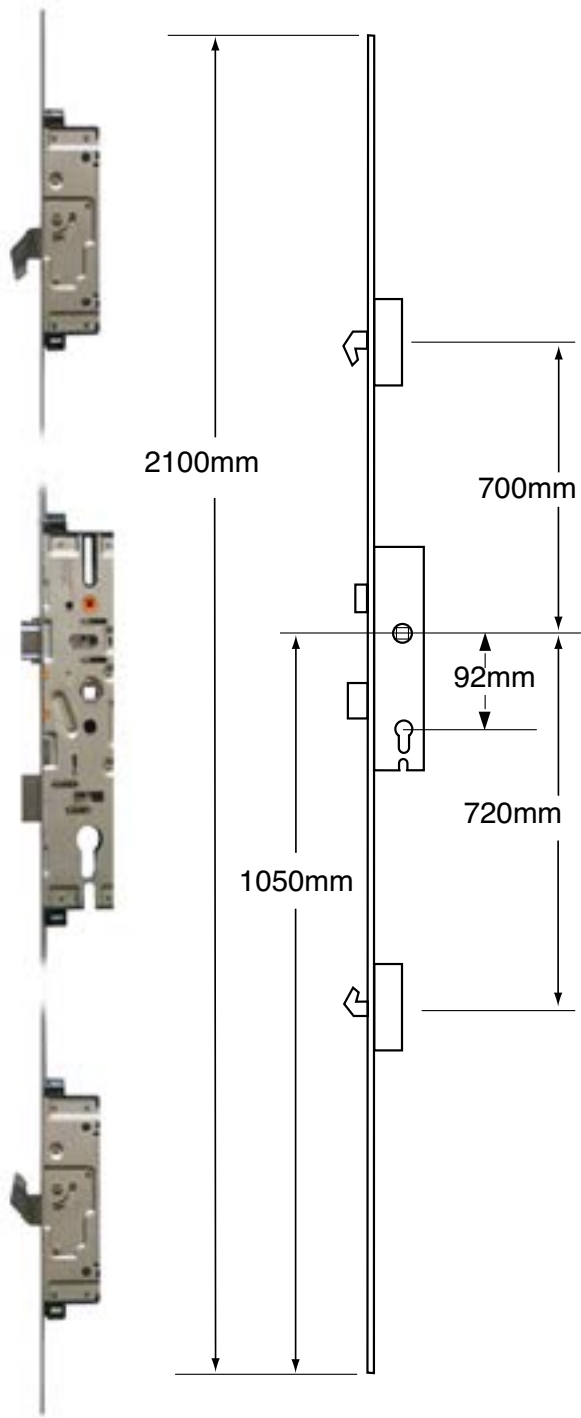
# SECURISTYLE Lever Operated Latch & Hook - 2 Hook 2 Roller



92 35

**DISCONTINUED**

Door



### Features

- Euro Profile Lock Case
- Latch & Deadbolt
- Single Spindle
- 16mm Faceplate

### Operation

A - Lift lever to engage locking mechanisms and then one full turn of the cylinder to lock. One full turn of the key then push down on the lever to unlock.

### Notes

**Discontinued product. Please replace with CH10579**

### Associated Products

#### CHAMELEON Pro Adaptable Door Handle

- CH30025 White
- CH30026 Silver
- CH30027 Polished Silver
- CH30028 Gold
- CH30068 Black



page 312

#### ASEC 92 Lever/Lever UPVC Furniture - 220mm Backplate

- L18404 Black
- L18405 Chrome
- L18406 Gold
- L18407 White



page 322

#### GU 6-3001400 Centre Keep

- L12049 LH
- L12050 RH



page 453

#### GU Hook Bolt Keep

- L15385 Hook Bolt Keep



page 516

Product Code	Backset	Centres	Spindle	Centre Case	Mfr Ref.	Hooks	Rollers
L18382	35mm	92mm	Single	Latch & Deadbolt	LARH 351 622NFS	2	2

Full Units - SECURISTYLE

# SOBINCO Key Wind Latch & Deadbolt "U" Rail - 2 Deadbolt

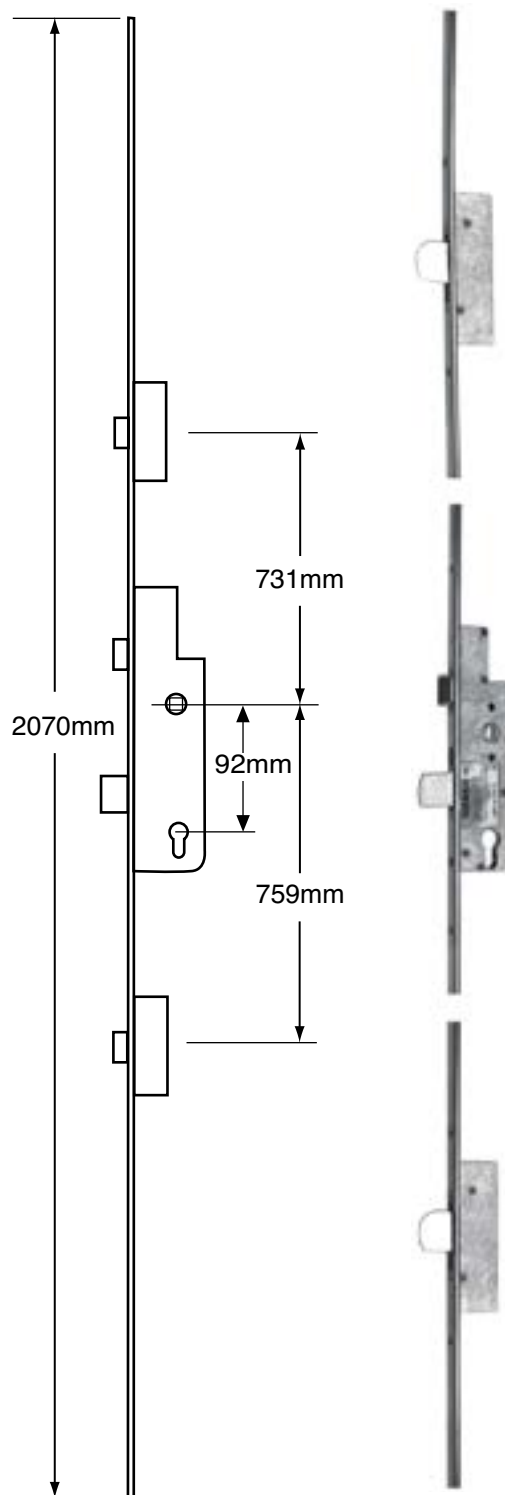


## Features

- 24mm wide U-Rail faceplate
- 35mm Backset
- 92mm Centres
- Reversible
- Excluding cylinder

## Operation

C - Two full turns of the key to lock and then Two full turns of the key to unlock, an extra turn withdraws the latch.



## Associated Products

### CHAMELEON Pro Adaptable Door Handle

CH30025	White
CH30026	Silver
CH30027	Polished Silver
CH30028	Gold
CH30068	Black



page  
312

### ASEC 92 Lever/Lever UPVC Furniture - 220mm Backplate

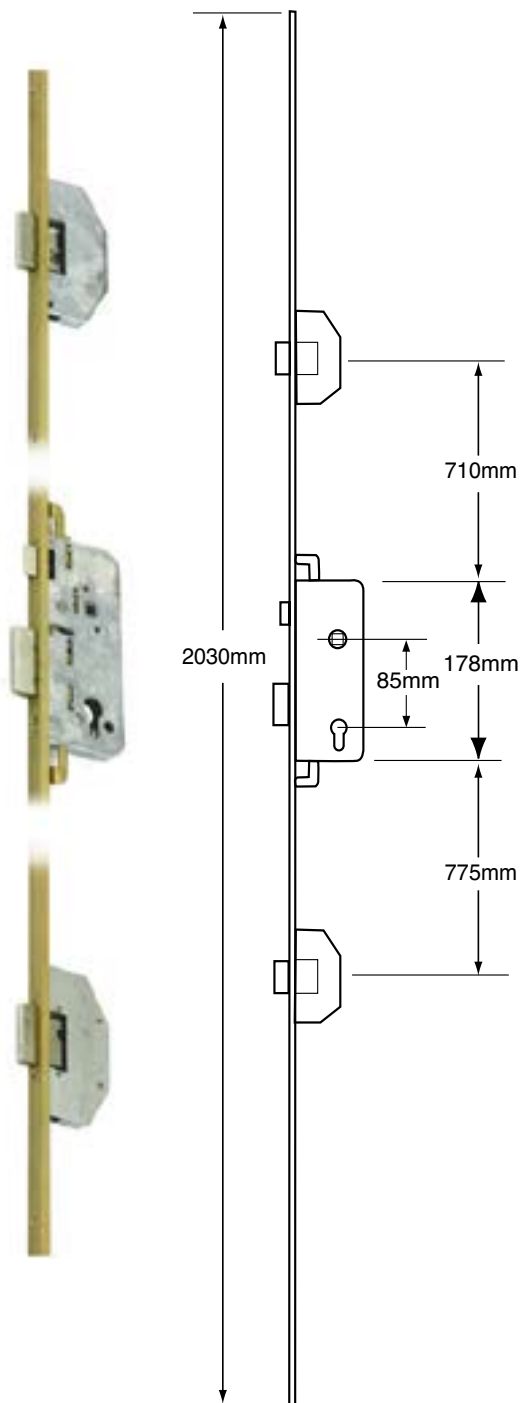
L18404	Black
L18405	Chrome
L18406	Gold
L18407	White



page  
322

Product Code	Backset	Centres	Spindle	Centre Case	Mfr Ref.	Deadbolts
L20658	35mm	92mm	Single	Latch & Deadbolt	8401B-U24-32	2

# UCEM Lever Operated Latch & Deadbolt - 2 Deadbolt



## Features

- Euro Profile Lock Case
- Latch & Deadbolt
- Single Spindle
- 20mm "U" Rail Faceplate

## Operation

C - Two full turns of the key to lock and then Two full turns of the key to unlock, an extra turn withdraws the latch.

## Associated Products

### CHAMELEON Pro Adaptable Door Handle

CH30025	White
CH30026	Silver
CH30027	Polished Silver
CH30028	Gold
CH30068	Black



page  
312

### ASEC 85 Lever/Lever UPVC Furniture - 242mm Backplate

AS10666	Gold
AS10667	Silver
AS10668	White



page  
320

Product Code	Backset	Centres	Spindle	Centre Case	Mfr Ref.	Deadbolts
L18361	50mm	85mm	Single	Latch & Deadbolt	2510	2

# UCEM Lever Operated Latch & Deadbolt - 6 Pin Bolt

**DISCONTINUED**



## Features

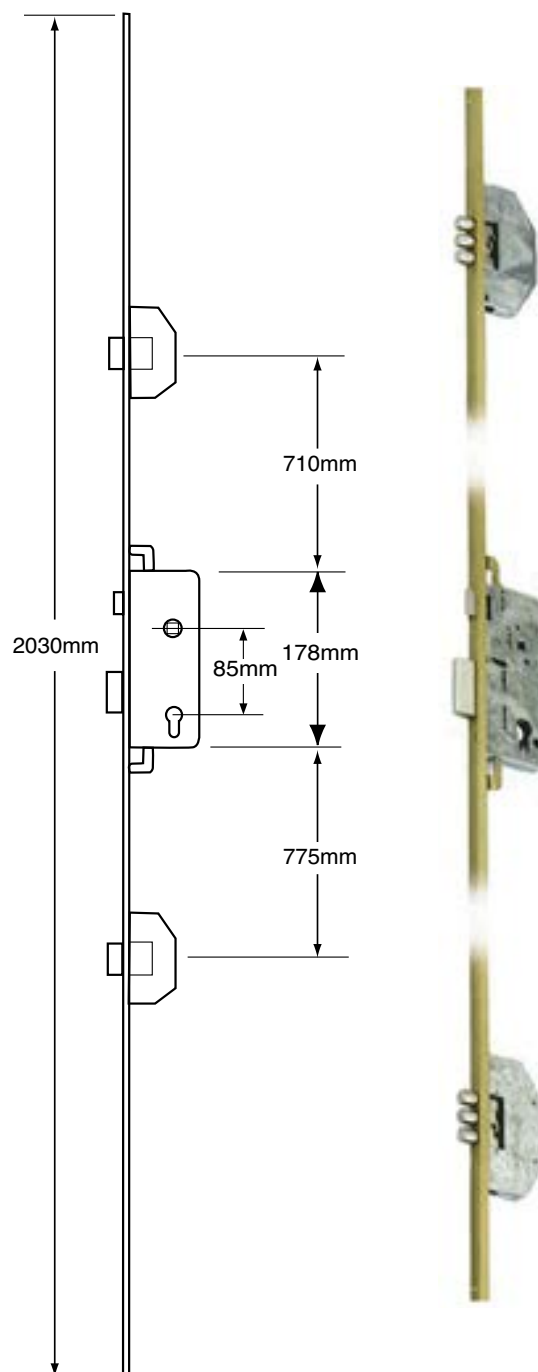
- Euro Profile Lock Case
- Latch & Deadbolt
- Single Spindle
- 20mm "U" Rail Faceplate

## Operation

A - Lift lever to engage locking mechanisms and then one full turn of the cylinder to lock. One full turn of the key then push down on the lever to unlock.

## Notes

**Discontinued - Replace with L18361.**



## Associated Products

### CHAMELEON Pro Adaptable Door Handle

CH30025	White
CH30026	Silver
CH30027	Polished Silver
CH30028	Gold
CH30068	Black



page  
312

### ASEC 85 Lever/Lever UPVC Furniture - 242mm Backplate

AS10666	Gold
AS10667	Silver
AS10668	White



page  
320

Product Code	Backset	Centres	Spindle	Centre Case	Mfr Ref.	Deadbolts	Pins
<b>L18362</b>	50mm	85mm	Single	Latch & Deadbolt	2518	2	6



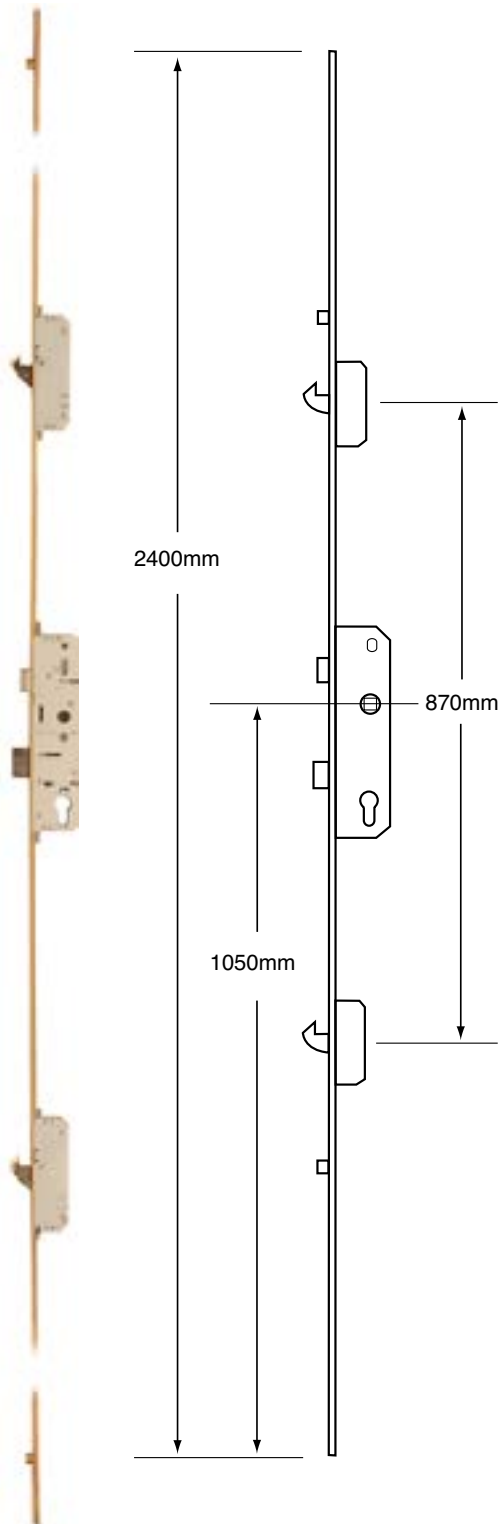


# VITAWIN Lever Operated Latch & Deadbolt - 2 Hook 2 Roller



**DISCONTINUED**

Door



### Features

- Euro Profile Lock Case
- Latch & Deadbolt
- Single Spindle
- 16mm Faceplate

### Operation

A - Lift lever to engage locking mechanisms and then one full turn of the cylinder to lock. One full turn of the key then push down on the lever to unlock

### Notes

**Discontinued product. Please replace with CH10579.**

### Associated Products

#### CHAMELEON Pro Adaptable Door Handle

- CH30025 White
- CH30026 Silver
- CH30027 Polished Silver
- CH30028 Gold
- CH30068 Black



page 312

#### ASEC 92 Lever/Lever UPVC Furniture - 220mm Backplate

- L18404 Black
- L18405 Chrome
- L18406 Gold
- L18407 White



page 322

#### ASEC Universal Centre Keep

- L15569 Centre Keep



page 498

#### FERCO E11637-00-0-3 Roller Keep

- L14405 Roller Keep



page 508

#### GU Hook Bolt Keep

- L15385 Hook Bolt Keep



page 516

Product Code	Backset	Centres	Spindle	Centre Case	Mfr Ref.	Hooks	Rollers
L15359	35mm	92mm	Single	Latch & Deadbolt	VIT2H2R	2	2

Full Units - VITA

# WINKHAUS AV2 Auto Locking Lever Operated Latch & Deadbolt - 2 Hook



## Features

- 16mm Faceplate
- Euro Profile Lock Case
- Latch & Deadbolt
- Can be fitted with electronic motor
- Ideal for UPVC & composite doors

## Overview

The automatic locking AV2 2 hook multipoint lock has a 16mm faceplate and is ideal for use on UPVC & composite doors. The AV2 Autolock has the optional capability of becoming an electronic access controlled locking system. The lock is designed to accept a "screw on" 12v electronic motor which can then be controlled by means of industry standard multi option access control systems. When activated the two solid high tensile steel hooks and central latch are withdrawn thus forming the blueMatic AV2-E. The extreme versatility of the blueMatic AV2-E Electronic Locking system is achieved through its easy integration with all access control systems which subsequently leads to its suitability for many different applications.

## Operation

Unit automatically locks when the door is closed, unlocks with key, inside handle or electrical input if optional motor is fitted.



## Associated Products

ASEC Boxed Power Supply  
AS9101 12VDC 2 Amp



page  
456

WINKHAUS AV2 BlueMatic Motor Unit  
L23483 Motor Only



page  
458

WINKHAUS AV2 BlueMatic Armoured  
Door Loop

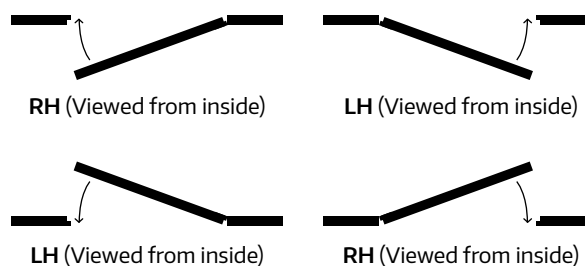
L23485 2m

WINKHAUS AV2 BlueMatic Cable  
L23484 6m



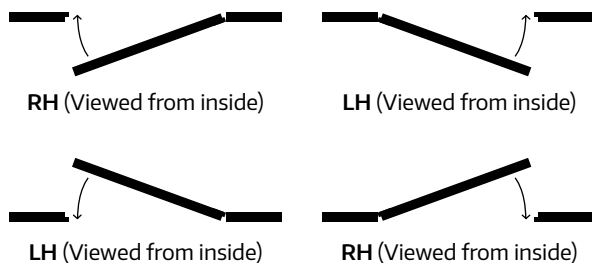
page  
458

For Keeps please refer to pages 453-455



Product Code	Backset	Centres	Spindle	Centre Case	Mfr Ref.	Hooks	Handed
L23472	35mm	92mm	Single	Latch & Deadbolt	2352131	2	Left Hand
L23471	35mm	92mm	Single	Latch & Deadbolt	2352122	2	Right Hand
L24799	45mm	92mm	Single	Latch & Deadbolt	2352165	2	Left Hand
L24798	45mm	92mm	Single	Latch & Deadbolt	2352157	2	Right Hand

# WINKHAUS AV2 Auto Locking Lever Operated Latch & Deadbolt 20mm Radius - 2 Hook



## Features

- 20mm Radius Faceplate
- Euro Profile Lock Case
- Latch & Deadbolt
- Can be fitted with electronic motor
- Ideal for timber doors

## Overview

The automatic locking AV2 2 hook multipoint lock has a 20mm radius faceplate and is ideal for use on timber doors. The AV2 Autolock has the optional capability of becoming an electronic access controlled locking system. The lock is designed to accept a "screw on" 12v electronic motor which can then be controlled by means of industry standard multi option access control systems. When activated the two solid high tensile steel hooks and central latch are withdrawn thus forming the blueMatic AV2-E. The extreme versatility of the blueMatic AV2-E Electronic Locking system is achieved through its easy integration with all access control systems which subsequently leads to its suitability for many different applications.

## Operation

Unit automatically locks when the door is closed, unlocks with key, inside handle or electrical input if optional motor is fitted.

## Associated Products

ASEC Boxed Power Supply  
AS9101      12VDC 2 Amp



page  
456

WINKHAUS AV2 BlueMatic Motor Unit  
L23483      Motor Only



page  
458

WINKHAUS AV2 BlueMatic Armoured  
Door Loop

L23485      2m

WINKHAUS AV2 BlueMatic Cable

L23484      6m



page  
458

For Keeps please refer to pages 453-455

Product Code	Backset	Centres	Spindle	Centre Case	Mfr Ref.	Hooks	Handed
L23474	45mm	92mm	Single	Latch & Deadbolt	2352739	2	Left Hand
L23473	45mm	92mm	Single	Latch & Deadbolt	2352691	2	Right Hand
L23476	55mm	92mm	Single	Latch & Deadbolt	2352801	2	Left Hand
L23475	55mm	92mm	Single	Latch & Deadbolt	2352798	2	Right Hand

# WINKHAUS AV2 Auto Locking Lever Operated Latch & Deadbolt 20mm Square - 2 Hook



## Features

- 20mm Square Faceplate
- Euro Profile Lock Case
- Latch & Deadbolt
- Can be fitted with electronic motor
- Ideal for timber doors

## Overview


The automatic locking AV2 2 hook multipoint lock has a 20mm square faceplate and is ideal for use on timber and composite doors. The AV2 Autolock has the optional capability of becoming an electronic access controlled locking system. The lock is designed to accept a "screw on" 12v electronic motor which can then be controlled by means of industry standard multi option access control systems. When activated the two solid high tensile steel hooks and central latch are withdrawn thus forming the blueMatic AV2-E. The extreme versatility of the blueMatic AV2-E Electronic Locking system is achieved through its easy integration with all access control systems which subsequently leads to its suitability for many different applications.

## Operation

Unit automatically locks when the door is closed, unlocks with key, inside handle or electrical input if optional motor is fitted.


## Associated Products

**ASEC Boxed Power Supply**  
AS9101 12VDC 2 Amp



page 456

**WINKHAUS AV2 BlueMatic Motor Unit**  
L23483 Motor Only



page 458

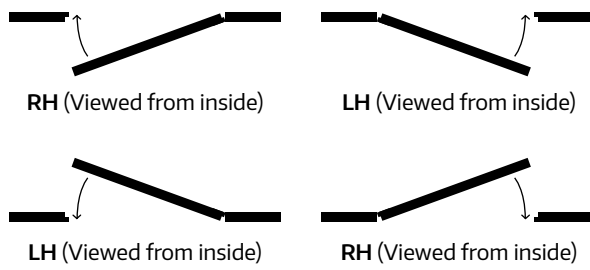
**WINKHAUS AV2 BlueMatic Armoured Door Loop**  
L23485 2m

**WINKHAUS AV2 BlueMatic Cable**  
L23484 6m



page 458

For Keeps please refer to pages 453-455

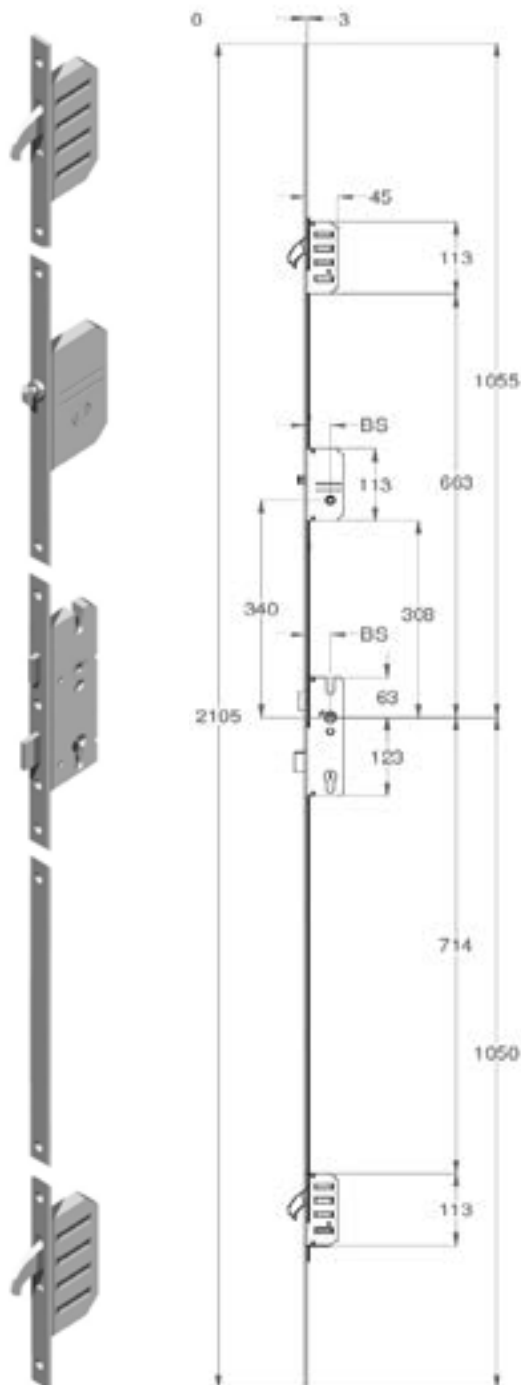


Product Code	Backset	Centres	Spindle	Centre Case	Mfr Ref.	Hooks	Handed
L23532	45mm	92mm	Single	Latch & Deadbolt	2352739	2	Left Hand
L23531	45mm	92mm	Single	Latch & Deadbolt	2352691	2	Right Hand
L23534	55mm	92mm	Single	Latch & Deadbolt	2352801	2	Left Hand
L23533	55mm	92mm	Single	Latch & Deadbolt	2352798	2	Right Hand

# WINKHAUS AV2 EntryGuard Lever Operated Latch & Deadbolt 16mm Flat - 2 Hook

**WINK  
HAUS**

92 35 45 55



## Features

- 16mm wide flat faceplate
- 2 Hooks
- Secured by Design approved
- Latch & Deadbolt
- 25mm throw steel hooks
- Secure locking mechanism

## Overview

This Entryguard AV2 multipoint lock has a 16mm wide flat faceplate and incorporates 2 hooks. The lock has the optional capability of becoming an electronic access controlled locking system and is designed to accept a "screw on" 12v electronic motor which can then be controlled by means of industry standard multi option access control systems. When activated, the two solid high tensile steel hooks and central latch are withdrawn thus forming the blueMatic AV2-E. The extreme versatility of the blueMatic AV2-E Electronic Locking system is achieved through its easy integration with all access control systems which subsequently leads to its suitability for many different applications.

## Operation

Unit automatically locks when the door is closed, unlocks with key, inside handle or electrical input if optional motor is fitted.

## Associated Products

### CHAMELEON Pro Adaptable Door Handle

- CH30025 White
- CH30026 Silver
- CH30027 Polished Silver
- CH30028 Gold
- CH30068 Black


 page  
312

### WINKHAUS AV2 Centre Keep

- L23478 LH - To Suit 44mm Doors
- L23477 RH - To Suit 44mm Doors
- L23481 LH - To Suit 56mm Doors
- L23480 RH - To Suit 56mm Doors


 page  
455

### WINKHAUS AV2 Radius Hook Keep

- L23479 To Suit 44mm Doors
- L23482 To Suit 56mm Doors


 page  
455

Product Code	Backset	Centres	Mfr Ref.	Hooks	Spindle
L24358	35mm	92mm	2949148	2	Split
L24359	45mm	92mm	4932940	2	Split
L24360	55mm	92mm	4964404	2	Split

# WINKHAUS AV2 EntryGuard Lever Operated Latch & Deadbolt 20mm Radius - 2 Hook



## Features

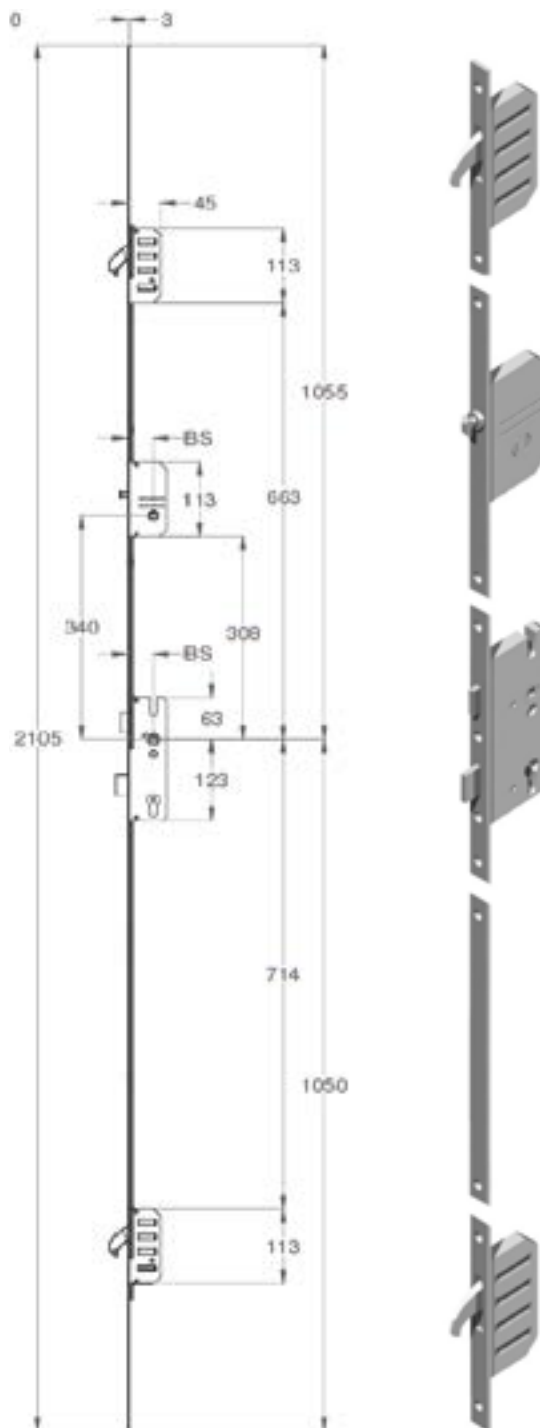
- 20mm wide radius faceplate
- 2 Hooks
- Secured by Design approved
- Latch & Deadbolt
- 25mm throw steel hooks
- Secure locking mechanism

## Overview

This Entryguard AV2 multipoint lock has a 20mm wide radius faceplate and incorporates 2 hooks. The lock has the optional capability of becoming an electronic access controlled locking system and is designed to accept a "screw on" 12v electronic motor which can then be controlled by means of industry standard multi option access control systems. When activated, the two solid high tensile steel hooks and central latch are withdrawn thus forming the blueMatic AV2-E. The extreme versatility of the blueMatic AV2-E Electronic Locking system is achieved through its easy integration with all access control systems which subsequently leads to its suitability for many different applications.

## Operation

Unit automatically locks when the door is closed, unlocks with key, inside handle or electrical input if optional motor is fitted.



## Associated Products

### CHAMELEON Pro Adaptable Door Handle

CH30025	White
CH30026	Silver
CH30027	Polished Silver
CH30028	Gold
CH30068	Black



page  
312

### WINKHAUS AV2 Centre Keep

L23478	LH - To Suit 44mm Doors
L23477	RH - To Suit 44mm Doors
L23481	LH - To Suit 56mm Doors
L23480	RH - To Suit 56mm Doors



page  
455

### WINKHAUS AV2 Radius Hook Keep

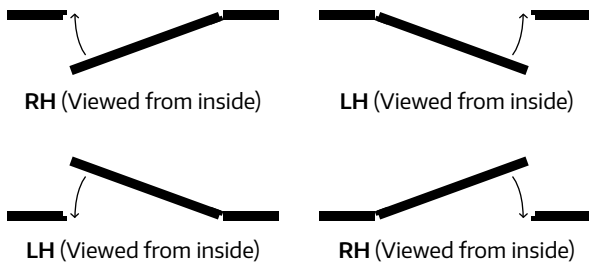
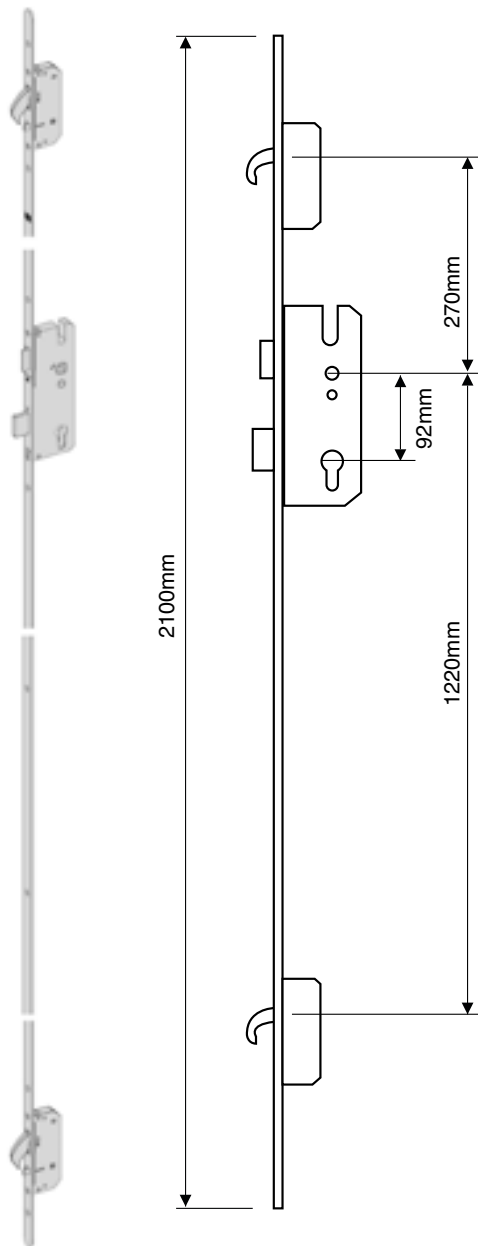
L23479	To Suit 44mm Doors
L23482	To Suit 56mm Doors



page  
455

Product Code	Backset	Centres	Spindle	Mfr Ref.	Hooks
L24361	45mm	92mm	Split	4932941	2
L24362	55mm	92mm	Split	4932937	2

# WINKHAUS AV2 Heritage Auto Locking Lever Operated Latch & Deadbolt 16mm Flat - 2 Hook



## Features

- 16mm wide flat faceplate
- Auto-locking
- Secured by Design approved
- Euro Profile Lock Case
- Latch & Deadbolt
- High performance gearbox

## Overview

This Heritage automatic locking AV2 multipoint lock has a 16mm wide flat faceplate and incorporates 2 hooks. The lock has the optional capability of becoming an electronic access controlled locking system and is designed to accept a "screw on" 12v electronic motor which can then be controlled by means of industry standard multi option access control systems. When activated, the two solid high tensile steel hooks and central latch are withdrawn thus forming the blueMatic AV2-E. The extreme versatility of the blueMatic AV2-E Electronic Locking system is achieved through its easy integration with all access control systems which subsequently leads to its suitability for many different applications.

## Operation

Unit automatically locks when the door is closed, unlocks with key, inside handle or electrical input if optional motor is fitted.

## Associated Products

### CHAMELEON Pro Adaptable Door Handle

- CH30025 White
- CH30026 Silver
- CH30027 Polished Silver
- CH30028 Gold
- CH30068 Black



page 312

### WINKHAUS AV2 Centre Keep

- L23478 LH - To Suit 44mm Doors
- L23477 RH - To Suit 44mm Doors
- L23481 LH - To Suit 56mm Doors
- L23480 RH - To Suit 56mm Doors



page 455

### WINKHAUS AV2 Radius Hook Keep

- L23479 To Suit 44mm Doors
- L23482 To Suit 56mm Doors



page 455

Product Code	Backset	Centre Case	Centres	Handed	Hooks	Mfr Ref.	Spindle
L24352	35mm	Latch & Deadbolt	92mm	Left Hand	2	4996108	Through
L24353	35mm	Latch & Deadbolt	92mm	Right Hand	2	4996107	Through
L24354	45mm	Latch & Deadbolt	92mm	Left Hand	2	4996106	Through
L24355	45mm	Latch & Deadbolt	92mm	Right Hand	2	4996105	Through

# WINKHAUS AV2 Heritage Auto Locking Lever Operated Latch & Deadbolt 20mm Radius - 2 Hook



## Features

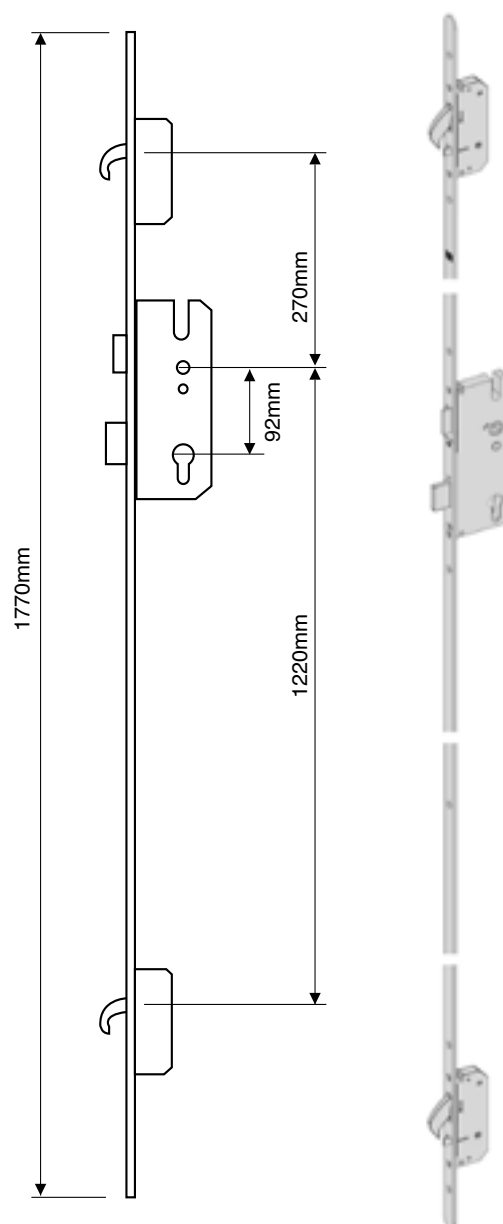
- 20mm wide radius faceplate
- Auto-locking
- Secured by Design approved
- Euro Profile Lock Case
- Latch & Deadbolt
- High performance gearbox

## Overview

This Heritage automatic locking AV2 multipoint lock has a 20mm wide radius faceplate and incorporates 2 hooks. The lock has the optional capability of becoming an electronic access controlled locking system and is designed to accept a "screw on" 12v electronic motor which can then be controlled by means of industry standard multi option access control systems. When activated, the two solid high tensile steel hooks and central latch are withdrawn thus forming the blueMatic AV2-E. The extreme versatility of the blueMatic AV2-E Electronic Locking system is achieved through its easy integration with all access control systems which subsequently leads to its suitability for many different applications.

## Operation

Unit automatically locks when the door is closed, unlocks with key, inside handle or electrical input if optional motor is fitted.



## Associated Products

### CHAMELEON Pro Adaptable Door Handle

CH30025	White
CH30026	Silver
CH30027	Polished Silver
CH30028	Gold
CH30068	Black



page  
312

### WINKHAUS AV2 Centre Keep

L23478	LH - To Suit 44mm Doors
L23477	RH - To Suit 44mm Doors
L23481	LH - To Suit 56mm Doors
L23480	RH - To Suit 56mm Doors



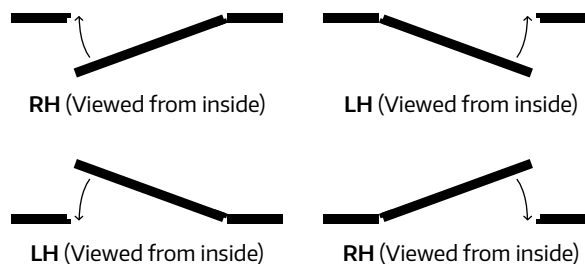
page  
455

### WINKHAUS AV2 Radius Hook Keep

L23479	To Suit 44mm Doors
L23482	To Suit 56mm Doors



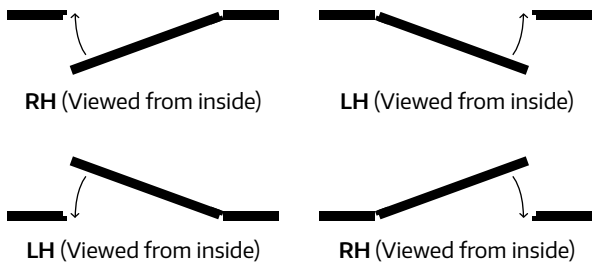
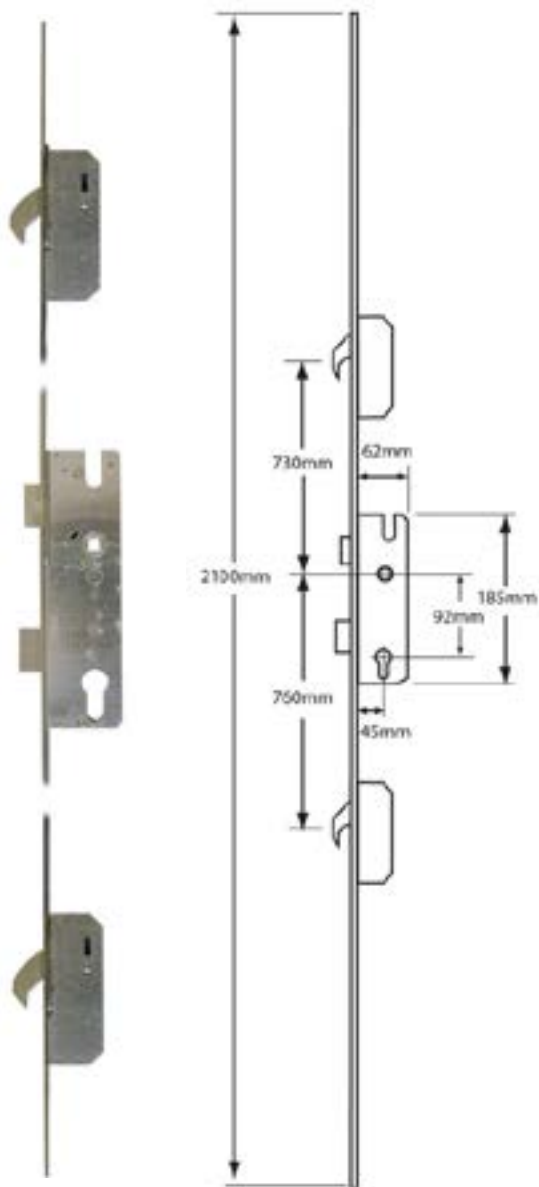
page  
455



Product Code	Backset	Centres	Spindle	Centre Case	Mfr Ref.	Hooks	Handed
L24356	45mm	92mm	Through	Latch & Deadbolt	4996102	2	Left Hand
L24357	45mm	92mm	Through	Latch & Deadbolt	4996101	2	Right Hand



# WINKHAUS Cobra Keywind Latch & Deadbolt Split Spindle - 2 Hook



## Features

- 16mm Faceplate
- Euro Profile Lock Case
- Latch & Deadbolt
- Split Spindle
- Key Operated
- Handed Product

## Overview

Keywind operated latch & deadbolt multipoint lock system by Winkhaus with 92mm centres, 16mm wide faceplate, a split spindle and 2 hooks.

## Operation

C - One full turn of the key to lock and one full turn of the key then push down on the lever to unlock.

## Associated Products

### CHAMELEON Pro Adaptable Door Handle

- CH30025 White
- CH30026 Silver
- CH30027 Polished Silver
- CH30028 Gold
- CH30068 Black



page 312

### ASEC 92 Lever/Lever UPVC Furniture - 220mm Backplate

- L18404 Black
- L18405 Chrome
- L18406 Gold
- L18407 White



page 322

### WINKHAUS U20 Centre Keep

- L23614 Left Handed
- L23615 Right Handed



page 501

### WINKHAUS U20 SKG MV2 Extension Keep Set

- L23616 U20 MV2 Silver



page 521

Product Code	Backset	Centres	Spindle	Centre Case	Mfr Ref.	Hooks	Handed
L24659	35mm	92mm	Split	Latch & Deadbolt	4933030	2	Left Handed
L24658	35mm	92mm	Split	Latch & Deadbolt	4952532	2	Right Handed
L24661	45mm	92mm	Split	Latch & Deadbolt	2948604	2	Left Handed
L24660	45mm	92mm	Split	Latch & Deadbolt	2948583	2	Right Handed

# WINKHAUS Cobra Keywind Latch & Deadbolt Split Spindle - 4 Hook



## Features

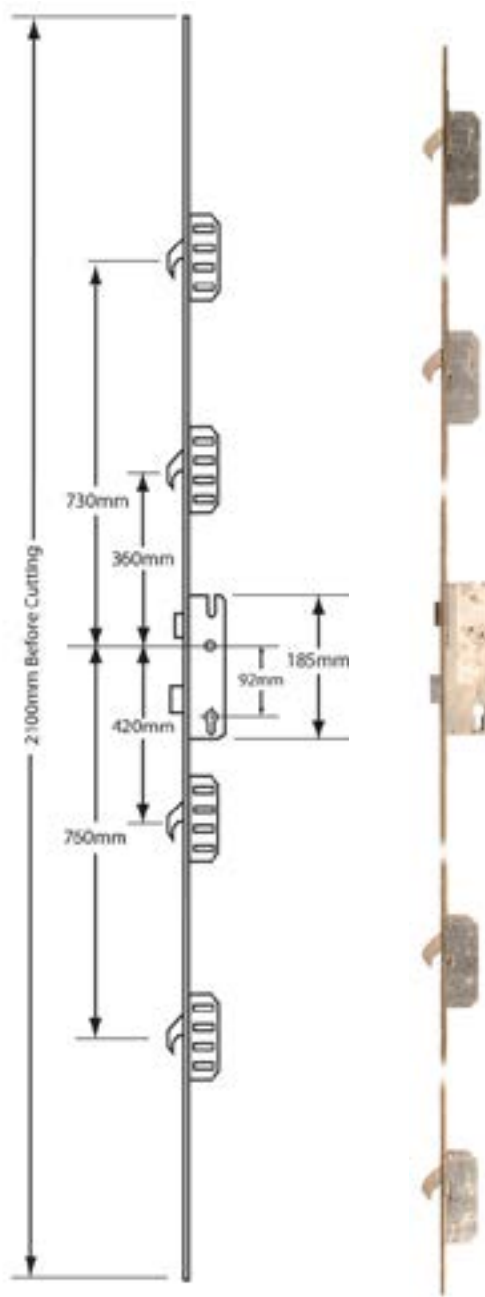
- 16mm Faceplate
- Euro Profile Lock Case
- Latch & Deadbolt
- Split Spindle
- Key Operated
- Handed Product

## Overview

Keywind operated latch & deadbolt multipoint lock system by Winkhaus with 92mm centres, 16mm wide faceplate, a split spindle and 4 hooks.

## Operation

C - One full turn of the key to lock and one full turn of the key then push down on the lever to unlock.



## Associated Products

### CHAMELEON Pro Adaptable Door Handle

CH30025	White
CH30026	Silver
CH30027	Polished Silver
CH30028	Gold
CH30068	Black



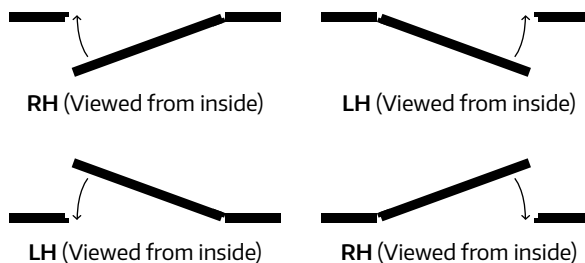
page  
312

### ASEC 92 Lever/Lever UPVC Furniture - 220mm Backplate

L18404	Black
L18405	Chrome
L18406	Gold
L18407	White

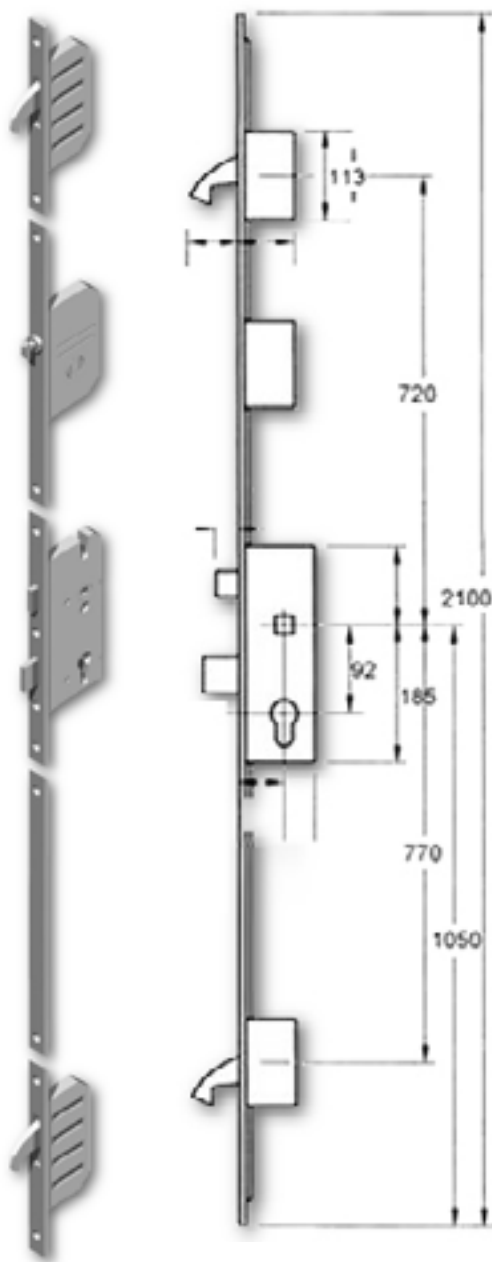


page  
322



Product Code	Backset	Centres	Spindle	Centre Case	Mfr Ref.	Hooks	Handed
L24662	35mm	92mm	Split	Latch & Deadbolt	2086354	4	Left Handed
L24663	35mm	92mm	Split	Latch & Deadbolt	2086346	4	Right Handed

# WINKHAUS Cobra EFGA Latch, Deadbolt & 2 Hooks with Entryguard & Lockout Facility - 16mm



## Features

- Entryguard integrated door opening restrictor
- Lockout facility
- Latch & Deadbolt
- 2 Hooks
- 16mm wide flat faceplate
- Secured by Design Approved

## Overview

The Winkhaus lever operated EFGA 2 hook multipoint lock with Entryguard and a lock facility has a 16mm faceplate and is ideal for use on UPVC & composite doors. The automatically engaging Entryguard bar restricts the door opening and provides home owners a more secure option than the traditional door chain. Key holders are able to disengage the Entryguard bar from the outside.

In addition to this, the euro cylinder operated lockout box can be used to lock out the operation of the centre case. This is ideal for situations where additional security is required, such as leaving the property for an extended period of time.

With anti-push back hooks and a secure locking mechanism using sintered metal gears for increased lifespan, it's no wonder the Winkhaus Cobra range of multipoint locks is approved by the Police 'Secured by Design' initiative.

## Operation

Lever operated - the deadbolt and hooks are thrown by lifting the door handle. The door is then locked using the key.

## Gearbox

### WINKHAUS Cobra Lever Operated Latch & Deadbolt Gearbox

L18292	35/92
L23672	55/92



page  
51

## Associated Products

### CHAMELEON Pro Adaptable Door Handle

CH30025	White
CH30026	Silver
CH30027	Polished Silver
CH30028	Gold
CH30068	Black



page  
312

### ASEC 92 Lever/Lever UPVC Furniture - 220mm Backplate

L18404	Black
L18405	Chrome
L18406	Gold
L18407	White



page  
322

Product Code	Backset	Centre Case	Spindle	Centres	Mfr Ref.e	Hooks
L25080	35mm	Latch & Deadbolt	Split	92mm	2948962	2
L25081	55mm	Latch & Deadbolt	Split	92mm	2946238	2

# WINKHAUS Cobra EFGA Latch, Deadbolt & 2 Hooks with Entryguard & Lockout Facility - 20mm



## Features

- Entryguard integrated door opening restrictor
- Lockout facility
- Latch & Deadbolt
- 2 Hooks
- 20mm wide flat faceplate
- Secured by Design Approved

## Overview

The Winkhaus lever operated EFGA 2 hook multipoint lock with Entryguard and a lock facility has a 20mm faceplate and is ideal for use on UPVC & composite doors. The automatically engaging Entryguard bar restricts the door opening and provides home owners a more secure option than the traditional door chain. Key holders are able to disengage the Entryguard bar from the outside.

In addition to this, the euro cylinder operated lockout box can be used to lock out the operation of the centre case. This ideal for situations where additional security is required, such as leaving the property for an extended period of time.

With anti-push back hooks and a secure locking mechanism using sintered metal gears for increased lifespan, it's no wonder the Winkhaus Cobra range of multipoint locks is approved by the Police 'Secured by Design' initiative

Lever operated - the deadbolt and hooks are thrown by lifting the door handle. The door is then locked using the key..

## Operation

Lever operated - the deadbolt and hooks are thrown by lifting the door handle. The door is then locked using the key.

## Gearbox

### WINKHAUS Cobra Lever Operated Latch & Deadbolt Gearbox

L23672 55/92



page  
51

## Associated Products

### CHAMELEON Pro Adaptable Door Handle

CH30025 White  
CH30026 Silver  
CH30027 Polished Silver  
CH30028 Gold  
CH30068 Black



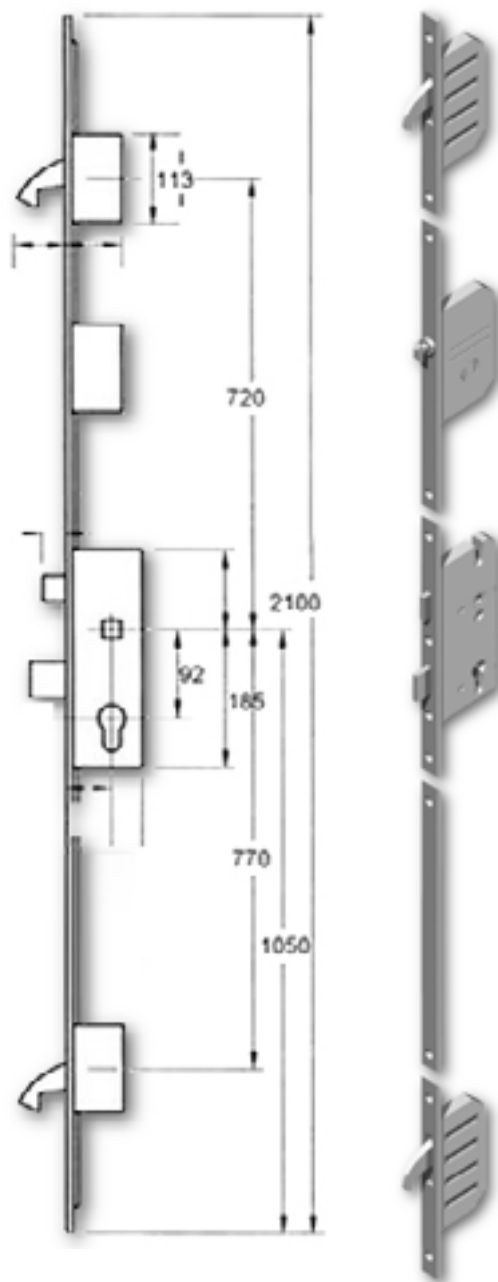
page  
312

### ASEC 92 Lever/Lever UPVC Furniture - 220mm Backplate

L18404 Black  
L18405 Chrome  
L18406 Gold  
L18407 White

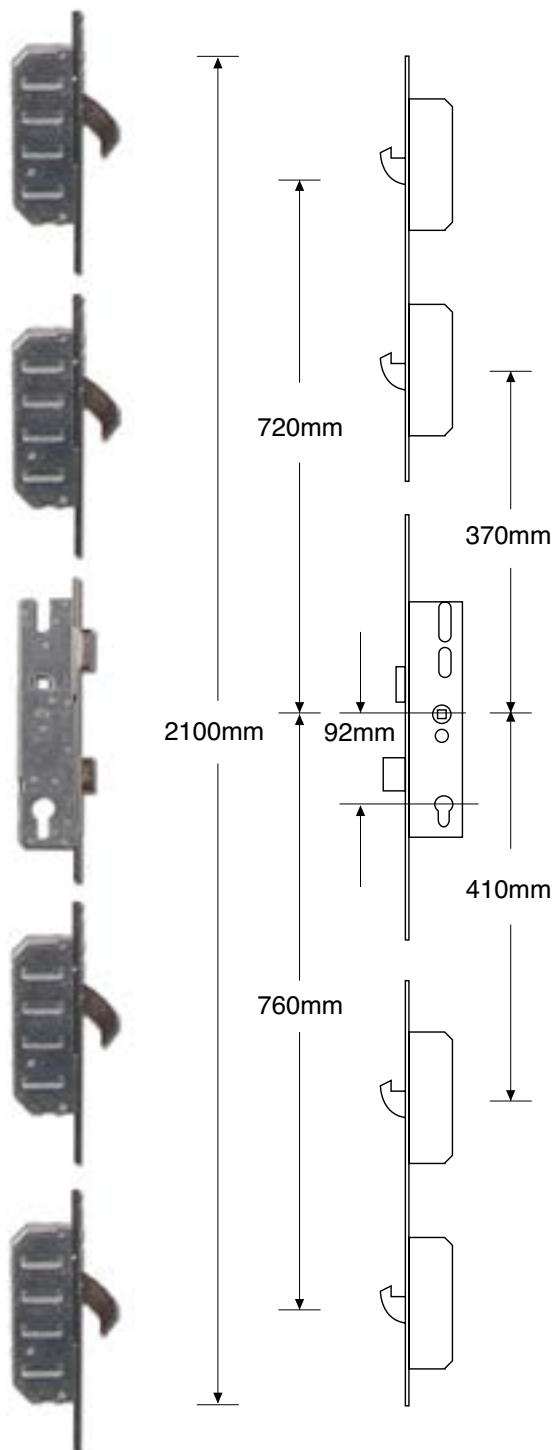


page  
322



Product Code	Backset	Centres	Spindle	Centre Case	Mfr Ref.	Hooks
L25082	55mm	92mm	Split	Latch & Deadbolt	4933047	2

# WINKHAUS Cobra Lever Operated Latch & Deadbolt - 4 Hook



## Features

- 16mm Faceplate
- Euro Profile Lock Case
- Latch & Deadbolt
- Single Spindle

## Overview

The Winkhaus 4 hook full UPVC lock mechanism has a 16mm flat faceplate, 4 downward facing hooks and a lever operated centre latch & deadbolt.

## Operation

Lever operated - the deadbolt and hooks are thrown by lifting the door handle. The door is then locked using the key.

## Associated Products

### CHAMELEON Pro Adaptable Door Handle

CH30025	White
CH30026	Silver
CH30027	Polished Silver
CH30028	Gold
CH30068	Black



page  
312

### ASEC 92 Lever/Lever UPVC Furniture - 220mm Backplate

L18404	Black
L18405	Chrome
L18406	Gold
L18407	White



page  
322

### GU 6-3001400 Centre Keep

L12049	LH
L12050	RH



page  
453

### GU Hook Bolt Keep

L15385	Hook Bolt Keep
--------	----------------



page  
516

Product Code	Backset	Centres	Spindle	Centre Case	Mfr Ref.	Hooks
L22612	28mm	92mm	Single	Latch & Deadbolt	2948971	4

# WINKHAUS Cobra Lever Operated Latch & Deadbolt Split Spindle - 2 Hook



## Features

- Euro Profile Lock Case
- Latch & Deadbolt
- Split Spindle
- 16mm Faceplate

## Overview

Lever operated latch & deadbolt multipoint lock system by Winkhaus with 92mm centres, 16mm wide faceplate, a split spindle and 2 hooks.

## Operation

A - Lift lever to engage locking mechanisms and then one full turn of the cylinder to lock. One full turn of the key then push down on the lever to unlock.

## Gearbox

### WINKHAUS Cobra Lever Operated Latch & Deadbolt Gearbox

L18292 35/92  
L18293 45/92



page  
51

## Associated Products

### CHAMELEON Pro Adaptable Door Handle

CH30025 White  
CH30026 Silver  
CH30027 Polished Silver  
CH30028 Gold  
CH30068 Black



page  
312

### ASEC 92 Lever/Lever UPVC Furniture - 220mm Backplate

L18404 Black  
L18405 Chrome  
L18406 Gold  
L18407 White



page  
322

### GU 6-3001400 Centre Keep

L12049 LH  
L12050 RH



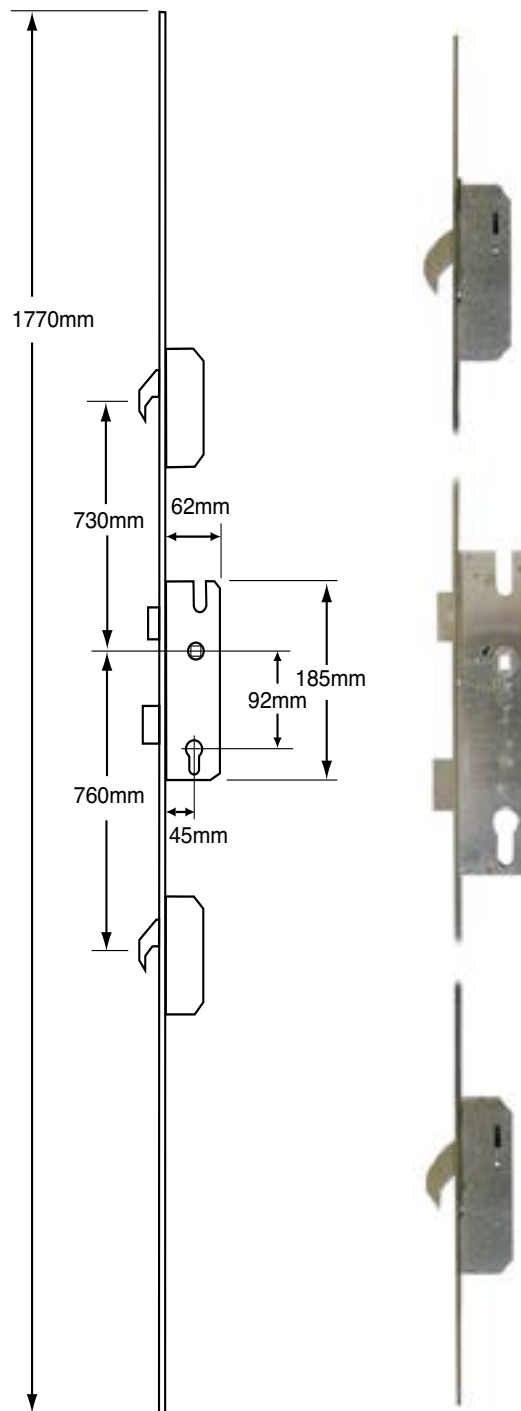
page  
453

### GU Hook Bolt Keep

L15385 Hook Bolt Keep



page  
516



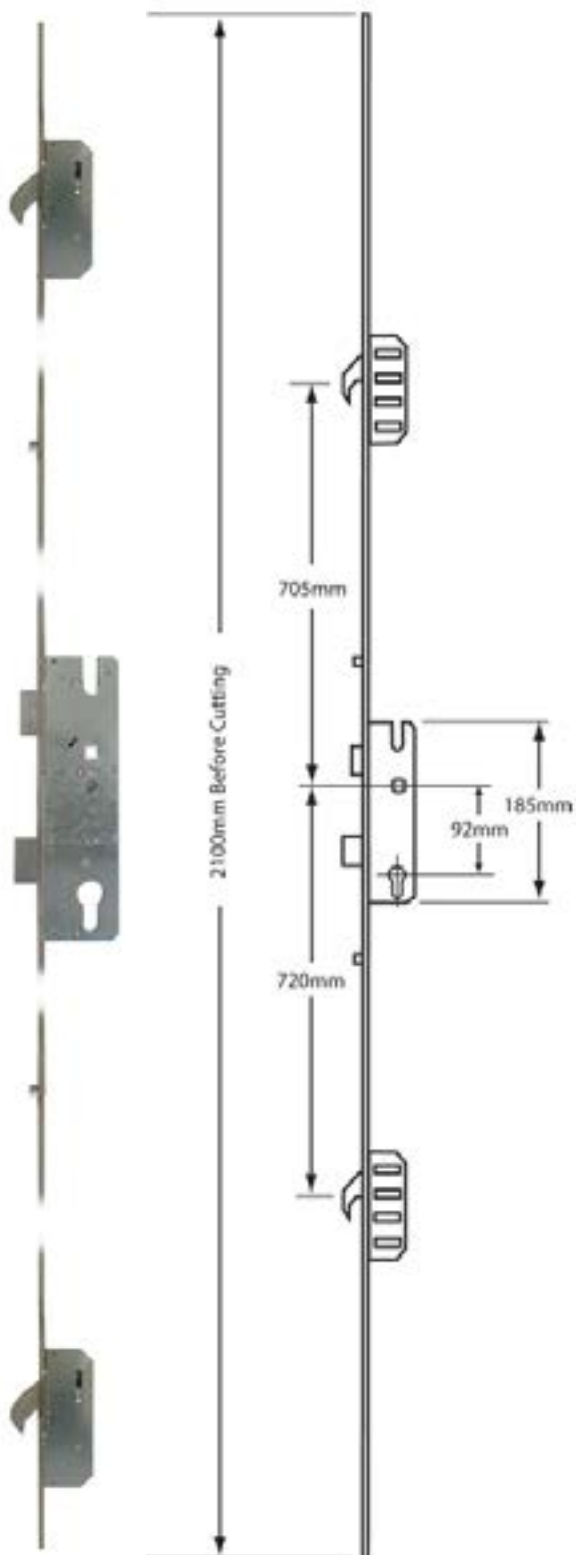
Product Code	Backset	Centres	Spindle	Centre Case	Mfr Ref.	Hooks
L15355	35mm	92mm	Split	Latch & Deadbolt	2949341	2
L15353	45mm	92mm	Split	Latch & Deadbolt	2948241	2

# WINKHAUS Cobra Lever Operated Latch & Deadbolt Split Spindle - 2 Hook 2 Roller



92 35

Door



## Features

- Euro Profile Lock Case
- Latch & Deadbolt
- Split Spindle
- 16mm Faceplate

## Operation

A - Lift lever to engage locking mechanisms and then one full turn of the cylinder to lock. One full turn of the key then push down on the lever to unlock.

## Gearbox

WINKHAUS Cobra Lever Operated Latch & Deadbolt Gearbox  
L18292 35/92



page 51

## Associated Products

### CHAMELEON Pro Adaptable Door Handle

- CH30025 White
- CH30026 Silver
- CH30027 Polished Silver
- CH30028 Gold
- CH30068 Black



page 312

### ASEC 92 Lever/Lever UPVC Furniture - 220mm Backplate

- L18404 Black
- L18405 Chrome
- L18406 Gold
- L18407 White



page 322

### FERCO E11637-00-0-3 Roller Keep

- L14405 Roller Keep



page 508

### GU 6-3001400 Centre Keep

- L12049 LH
- L12050 RH



page 453

### GU Hook Bolt Keep

- L15385 Hook Bolt Keep



page 516

Product Code	Backset	Centres	Spindle	Centre Case	Mfr Ref.	Hooks	Rollers
L17410	35mm	92mm	Split	Latch & Deadbolt	4939384	2	2



Full Units -

# WINKHAUS Cobra Lever Operated Latch & Deadbolt Split Spindle - 4 Hook



## Features

- Euro Profile Lock Case
- Latch & Deadbolt
- Split Spindle
- 16mm Faceplate

## Overview

Lever operated latch & deadbolt multipoint lock system by Winkhaus with 92mm centres, 16mm wide faceplate, a split spindle and 4 hooks.

## Operation

A - Lift lever to engage locking mechanisms and then one full turn of the cylinder to lock. One full turn of the key then push down on the lever to unlock.

## Gearbox

### WINKHAUS Cobra Lever Operated Latch & Deadbolt Gearbox

L18292	35/92
L18293	45/92



page  
51

## Associated Products

### CHAMELEON Pro Adaptable Door Handle

CH30025	White
CH30026	Silver
CH30027	Polished Silver
CH30028	Gold
CH30068	Black



page  
312

### ASEC 92 Lever/Lever UPVC Furniture - 220mm Backplate

L18404	Black
L18405	Chrome
L18406	Gold
L18407	White



page  
322

### GU 6-3001400 Centre Keep

L12049	LH
L12050	RH



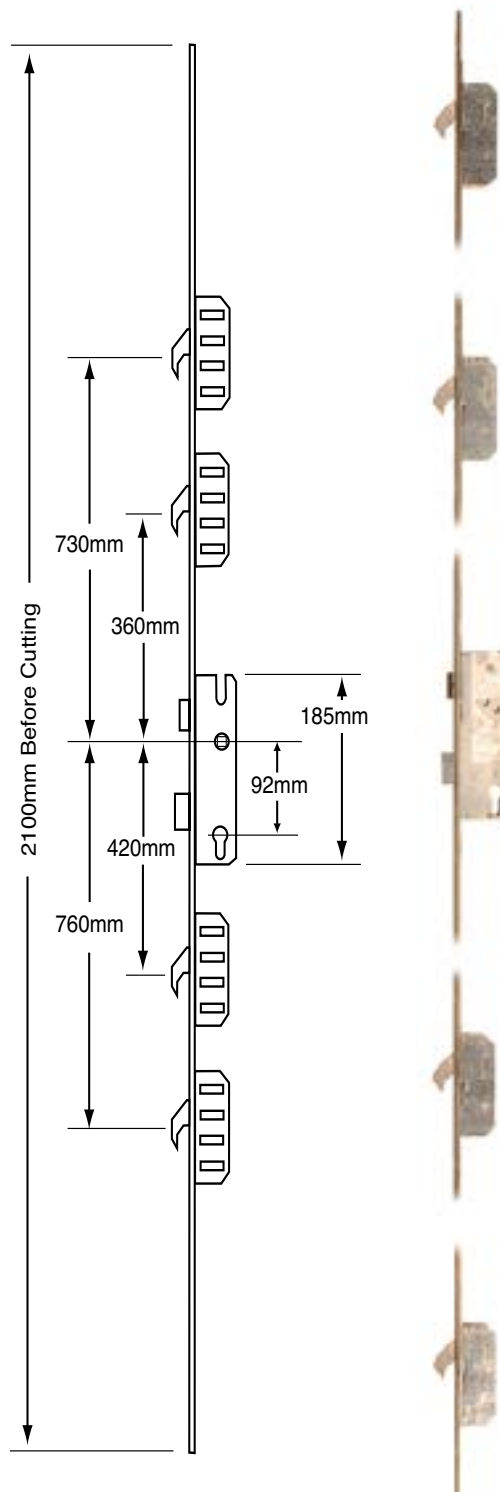
page  
453

### GU Hook Bolt Keep

L15385	Hook Bolt Keep
--------	----------------



page  
516



Product Code	Backset	Centres	Spindle	Centre Case	Mfr Ref.	Hooks
L15354	35mm	92mm	Split	Latch & Deadbolt	2949279	4
L15352	45mm	92mm	Split	Latch & Deadbolt	2946001	4

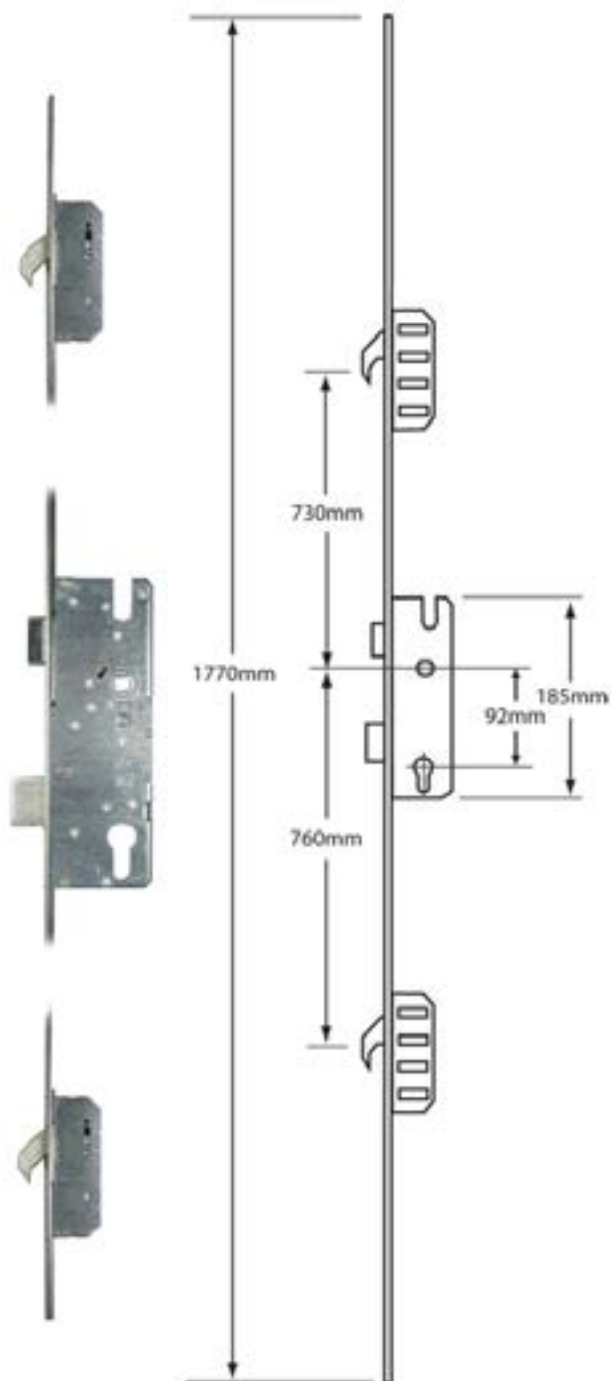


# WINKHAUS Cobra Lever Operated Latch & Deadbolt Split Spindle 20mm Flat - 2 Hook

**WINKHAUS**

92 45

Door



## Features

- 20mm Flat Faceplate
- Euro Profile Lock Case
- Latch & Deadbolt
- Split Spindle

## Overview

Cobra lever operated latch & deadbolt split spindle by Winkhaus with a 20mm flat faceplate and 2 hooks.

## Operation

A - Lift lever to engage locking mechanisms and then one full turn of the cylinder to lock. One full turn of the key then push down on the lever to unlock.

## Gearbox

### WINKHAUS Cobra Lever Operated Latch & Deadbolt Gearbox

L18293 45/92


 page  
51

## Associated Products

### CHAMELEON Pro Adaptable Door Handle

CH30025 White  
CH30026 Silver  
CH30027 Polished Silver  
CH30028 Gold  
CH30068 Black


 page  
312

### ASEC 92 Lever/Lever UPVC Furniture - 220mm Backplate

L18404 Black  
L18405 Chrome  
L18406 Gold  
L18407 White


 page  
322

### WINKHAUS U20 Centre Keep

L23614 Left Handed  
L23615 Right Handed


 page  
501

Product Code	Backset	Centres	Spindle	Centre Case	Mfr Ref.	Hooks
L23673	45mm	92mm	Split	Latch & Deadbolt	2947821	2

# WINKHAUS Cobra Lever Operated Latch & Deadbolt Split Spindle 20mm Radius - 2 Hook



## Features

- Euro Profile Lock Case
- Latch & Deadbolt
- Split Spindle
- 20mm Radius Faceplate

## Operation

A - Lift lever to engage locking mechanisms and then one full turn of the cylinder to lock. One full turn of the key then push down on the lever to unlock.

## Gearbox

### WINKHAUS Cobra Lever Operated Latch & Deadbolt Gearbox

L18292	35/92
L18293	45/92
L23672	55/92



page  
51

## Associated Products

### CHAMELEON Pro Adaptable Door Handle

CH30025	White
CH30026	Silver
CH30027	Polished Silver
CH30028	Gold
CH30068	Black



page  
312

### ASEC 92 Lever/Lever UPVC Furniture - 220mm Backplate

L18404	Black
L18405	Chrome
L18406	Gold
L18407	White



page  
322

### GU 6-3001400 Centre Keep

L12049	LH
L12050	RH



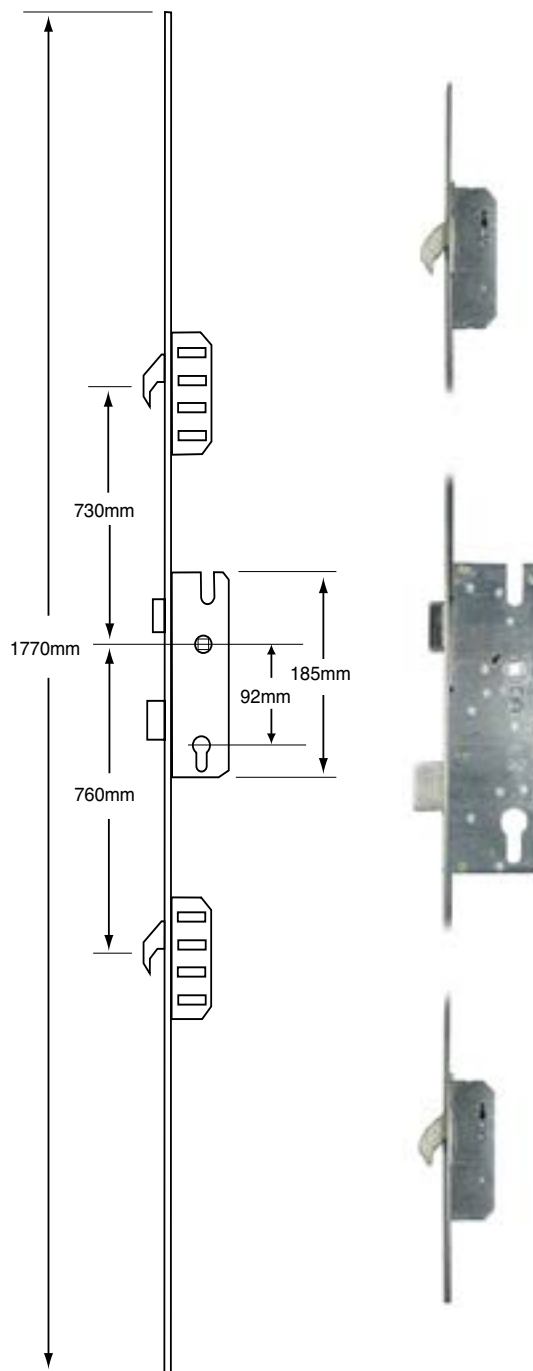
page  
453

### GU Hook Bolt Keep

L15385	Hook Bolt Keep
--------	----------------



page  
516

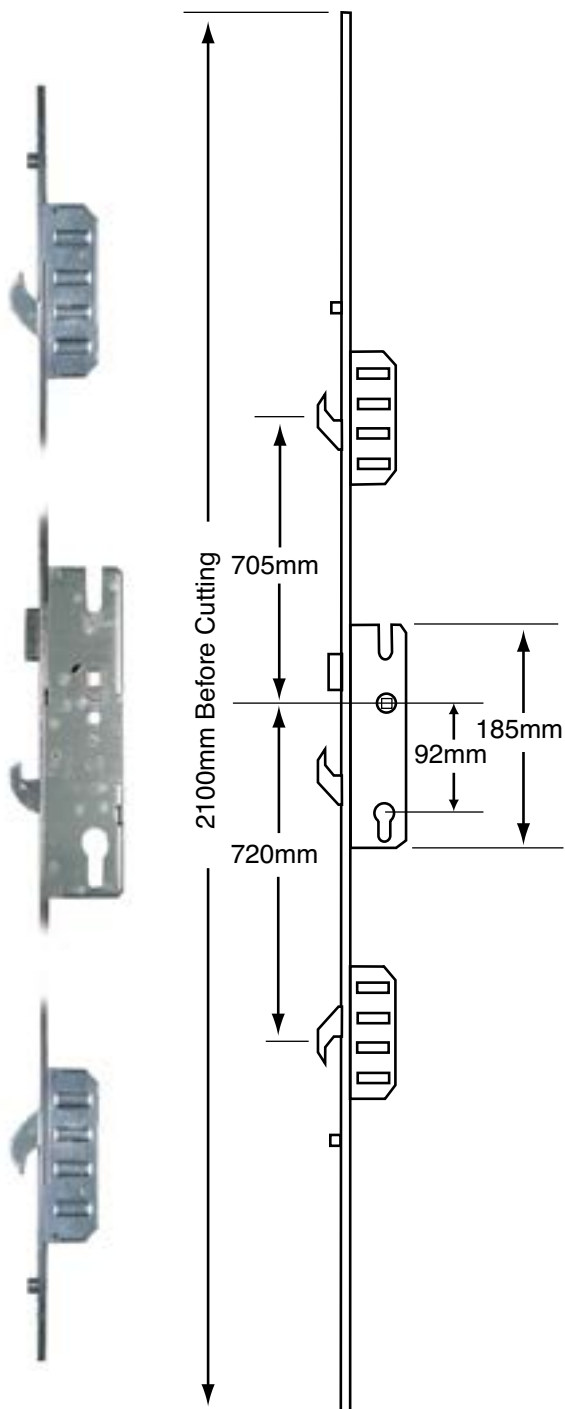


Product Code	Backset	Centre Case	Spindle	Centres	Mfr Ref.	Hooks
L22613	35mm	Latch & Deadbolt	Split	92mm	4933043	2
L17412	45mm	Latch & Deadbolt	Split	92mm	2949068	2
L17413	55mm	Latch & Deadbolt	Split	92mm	2949172	2

# WINKHAUS Scorpion Lever Operated Latch & Hook Bolt - 2 Hook 2 Roller



Door



## Features

- Euro Profile Lock Case
- Latch & Hook Bolt
- Split Spindle
- 16mm Faceplate

## Operation

A - Lift lever to engage locking mechanisms and then one full turn of the cylinder to lock. One full turn of the key then push down on the lever to unlock.

## Gearbox

WINKHAUS Cobra Lever Operated Latch & Deadbolt Gearbox

L18292 35/92



page 51

## Associated Products

CHAMELEON Pro Adaptable Door Handle

- CH30025 White
- CH30026 Silver
- CH30027 Polished Silver
- CH30028 Gold
- CH30068 Black



page 312

FERCO E11637-00-0-3 Roller Keep

L14405 Roller Keep



page 508

GU 6-3001400 Centre Keep

- L12049 LH
- L12050 RH



page 453

GU Hook Bolt Keep

L15385 Hook Bolt Keep



page 516

Product Code	Backset	Centres	Spindle	Centre Case	Mfr Ref.	Hooks	Rollers
L17411	35mm	92mm	Split	Latch & Hook Bolt	2398251	2	2

# WINKHAUS Cobra Short Lever Operated Latch & Deadbolt Split Spindle & Lockout - 2 Hook



## Features

- Euro lockout facility box locks out centre case operation
- 16mm Faceplate
- Euro Profile Lock Case
- Latch & Deadbolt
- Split Spindle

## Operation

Lever operated latch & deadbolt multipoint lock system by Winkhaus which is fitted with a lockout facility box. The euro cylinder operated lockout box effectively locks out the operation of the centre case making it ideal for situations such as additional security if leaving a home for an extended period of time. It has 92mm centres, 16mm wide faceplate, a split spindle and 2 hooks.

## Operation

A - Lift lever to engage locking mechanisms and then one full turn of the cylinder to lock. One full turn of the key then push down on the lever to unlock

## Gearbox

### WINKHAUS Cobra Lever Operated Latch & Deadbolt Gearbox

L18292	35/92
L18293	45/92



page  
51

## Associated Products

### CHAMELEON Pro Adaptable Door Handle

CH30025	White
CH30026	Silver
CH30027	Polished Silver
CH30028	Gold
CH30068	Black



page  
312

### GU 6-3001400 Centre Keep

L12049	LH
L12050	RH



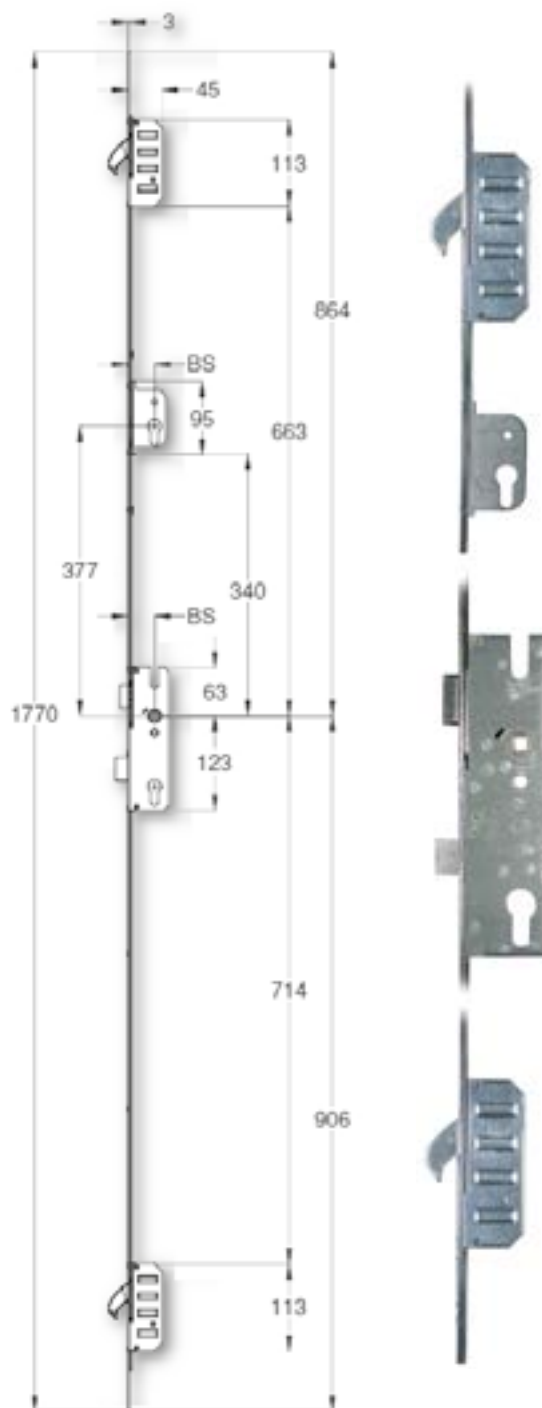
page  
453

### GU Hook Bolt Keep

L15385	Hook Bolt Keep
--------	----------------

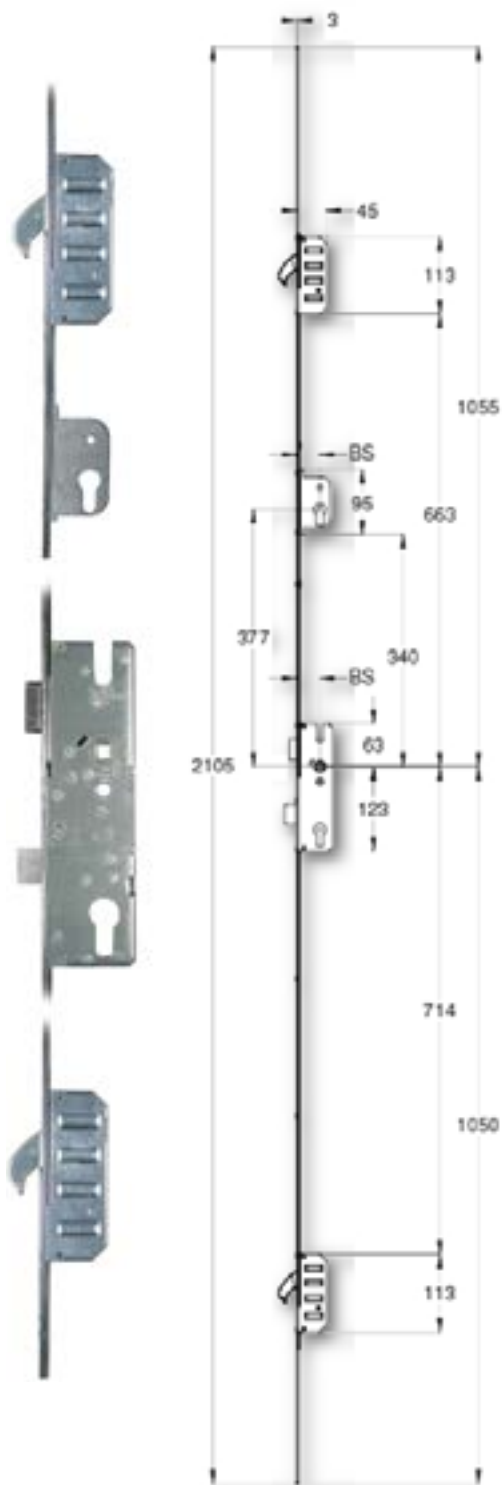


page  
516



Product Code	Backset	Centres	Spindle	Centre Case	Mfr Ref.	Hooks
L24881	35mm (Centre Case & Lockout)	92mm	Split	Latch & Deadbolt	2948954	2
L24882	45mm (Centre Case & Lockout)	92mm	Split	Latch & Deadbolt	2945294	2

# WINKHAUS Cobra Long Lever Operated Latch & Deadbolt Split Spindle - 2 Hook & Lockout



## Features

- Euro lockout facility box locks out centre case operation
- 16mm Faceplate
- Euro Profile Lock Case
- Latch & Deadbolt
- Split Spindle

## Overview

Lever operated latch & deadbolt multipoint lock system by Winkhaus which is fitted with a lockout facility box, the euro cylinder operated lockout box effectively locks out the operation of the centre case making it ideal for situations such as additional security if leaving a home for an extended period of time. It has 92mm centres, 16mm wide faceplate, a split spindle and 2 hooks.

## Operation

A - Lift lever to engage locking mechanisms and then one full turn of the cylinder to lock. One full turn of the key then push down on the lever to unlock.

## Gearbox

### WINKHAUS Cobra Lever Operated Latch & Deadbolt Gearbox

L23672 55/92



page  
51

## Associated Products

### CHAMELEON Pro Adaptable Door Handle

CH30025 White  
CH30026 Silver  
CH30027 Polished Silver  
CH30028 Gold  
CH30068 Black



page  
312

### GU 6-3001400 Centre Keep

L12049 LH  
L12050 RH



page  
453

### GU Hook Bolt Keep

L15385 Hook Bolt Keep



page  
516

Product Code	Backset	Centres	Spindle	Centre Case	Mfr Ref.	Hooks
L24883	55mm (Centre Case) 35mm (Lockout)	92mm	Split	Latch & Deadbolt	4939381	2
L24884	55mm (Centre Case) 45mm (Lockout)	92mm	Split	Latch & Deadbolt	2945121	2

# WINKHAUS Cobra Lever Operated Latch & Deadbolt Split Spindle & Lockout, 20mm Radius - 2 Hook

92 55

WINK  
HAUS

## Features

- Euro lockout facility box locks out centre case operation
- 20mm Faceplate
- Euro Profile Lock Case
- Latch & Deadbolt
- Split Spindle

## Overview

Lever operated latch & deadbolt multipoint lock system by Winkhaus which is fitted with a lockout facility box, the euro cylinder operated lockout box effectively locks out the operation of the centre case making it ideal for situations such as additional security if leaving a home for an extended period of time. It has 92mm centres, 16mm wide faceplate, a split spindle and 2 hooks.

## Operation

A - Lift lever to engage locking mechanisms and then one full turn of the cylinder to lock. One full turn of the key then push down on the lever to unlock.

## Gearbox

WINKHAUS Cobra Lever Operated Latch  
& Deadbolt Gearbox  
L23672 55/92

page  
51

## Associated Products

### CHAMELEON Pro Adaptable Door Handle

CH30025 White  
CH30026 Silver  
CH30027 Polished Silver  
CH30028 Gold  
CH30068 Black

page  
312

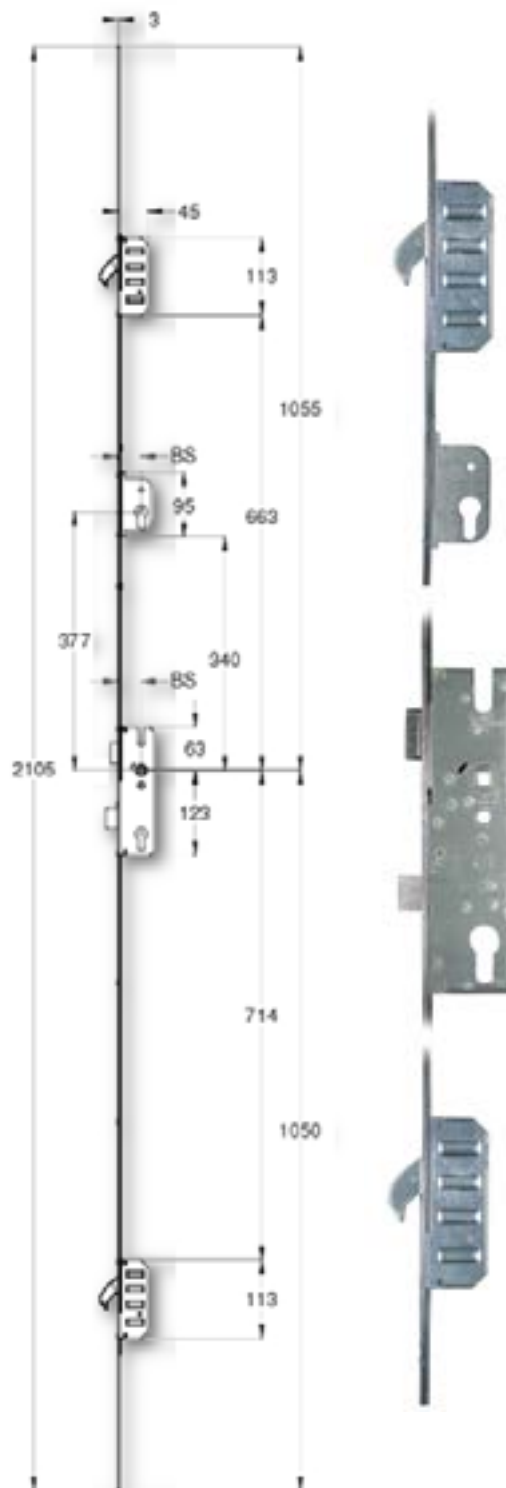
### GU 6-3001400 Centre Keep

L12049 LH  
L12050 RH

page  
453

### GU Hook Bolt Keep

L15385 Hook Bolt Keep

page  
516

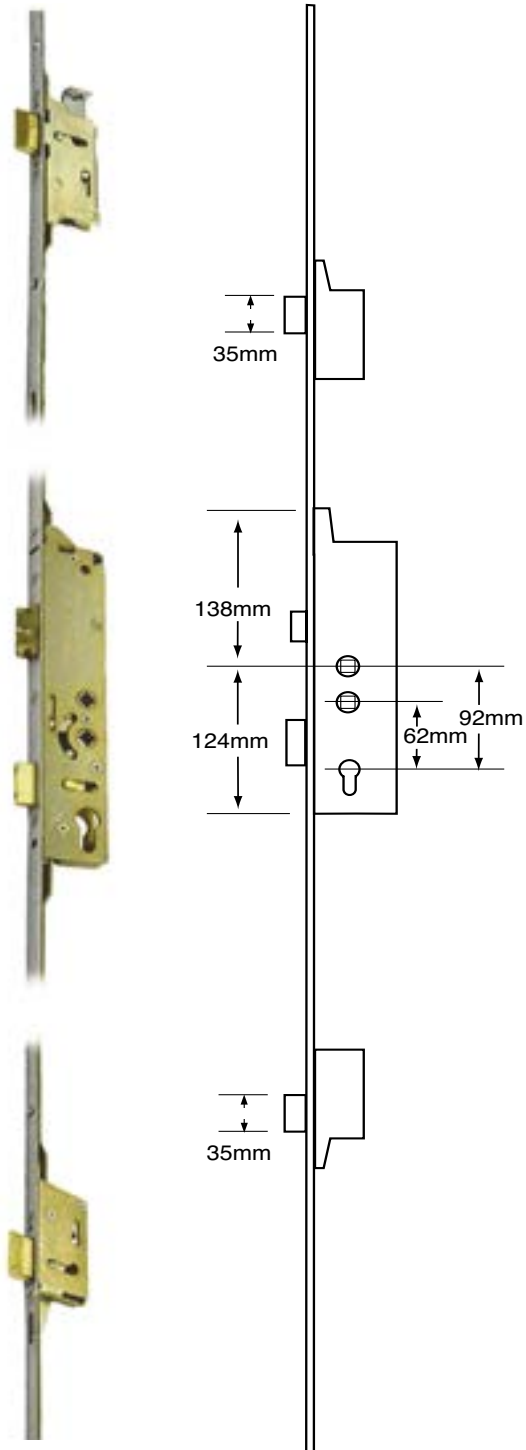
Product Code	Backset	Centre Case	Spindle	Centres	Mfr Ref.	Hooks
L24885	55mm (Centre Case & Lockout)	Latch & Deadbolt	Split	92mm	2947273	2

# YALE Lever Operated Latch & Deadbolt Twin Spindle - 2 Deadbolt



**DISCONTINUED**

Door



## Features

- Euro Profile Lock Case
- Latch & Deadbolt
- Twin Spindle
- 16mm Faceplate

## Operation

A - Lift lever to engage locking mechanisms and then one full turn of the cylinder to lock. One full turn of the key then push down on the lever to unlock.

## Notes

Product discontinued, please replace with CH10579

## Associated Products

### CHAMELEON Pro Adaptable Door Handle

- CH30025 White
- CH30026 Silver
- CH30027 Polished Silver
- CH30028 Gold
- CH30068 Black



page 312

### ASEC 92 Lever/Lever UPVC Furniture - 220mm Backplate

- L18404 Black
- L18405 Chrome
- L18406 Gold
- L18407 White



page 322

### GU 6-3001400 Centre Keep

- L12049 LH
- L12050 RH



page 453

### GU Deadbolt Keep

- L15386 Deadbolt Keep



page 454

Product Code	Backset	Centres	Spindle	Centre Case	Mfr Ref.	Deadbolts
L20690	35mm	92/62mm	Twin	Latch & Deadbolt	G712D	2

Full Units -



# YALE Lever Operated Latch & Deadbolt Twin Spindle - 2 Hook



**DISCONTINUED**

## Features

- Euro Profile Lock Case
- Latch & Deadbolt
- Twin Spindle
- 16mm Faceplate

## Operation

A - Lift lever to engage locking mechanisms and then one full turn of the cylinder to lock. One full turn of the key then push down on the lever to unlock.

## Notes

Product discontinued, please replace with CH10579.

## Associated Products

### CHAMELEON Pro Adaptable Door Handle

CH30025	White
CH30026	Silver
CH30027	Polished Silver
CH30028	Gold
CH30068	Black



page  
312

### ASEC 92 Lever/Lever UPVC Furniture - 220mm Backplate

L18404	Black
L18405	Chrome
L18406	Gold
L18407	White



page  
322

### GU 6-3001400 Centre Keep

L12049	LH
L12050	RH



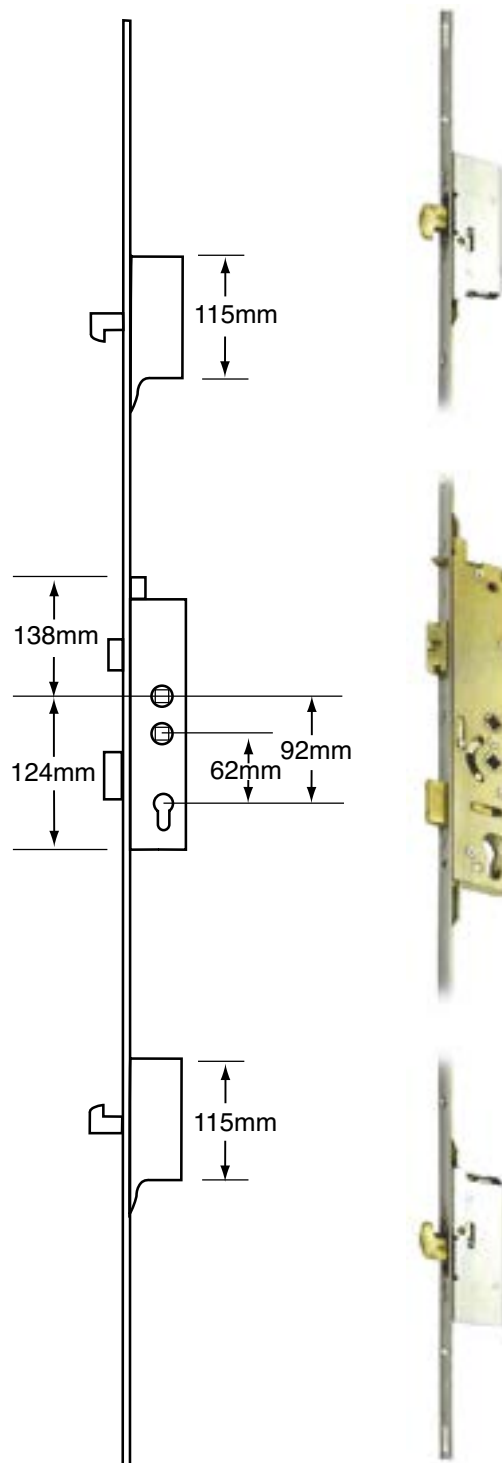
page  
453

### GU Deadbolt Keep

L15386	Deadbolt Keep
--------	---------------



page  
454



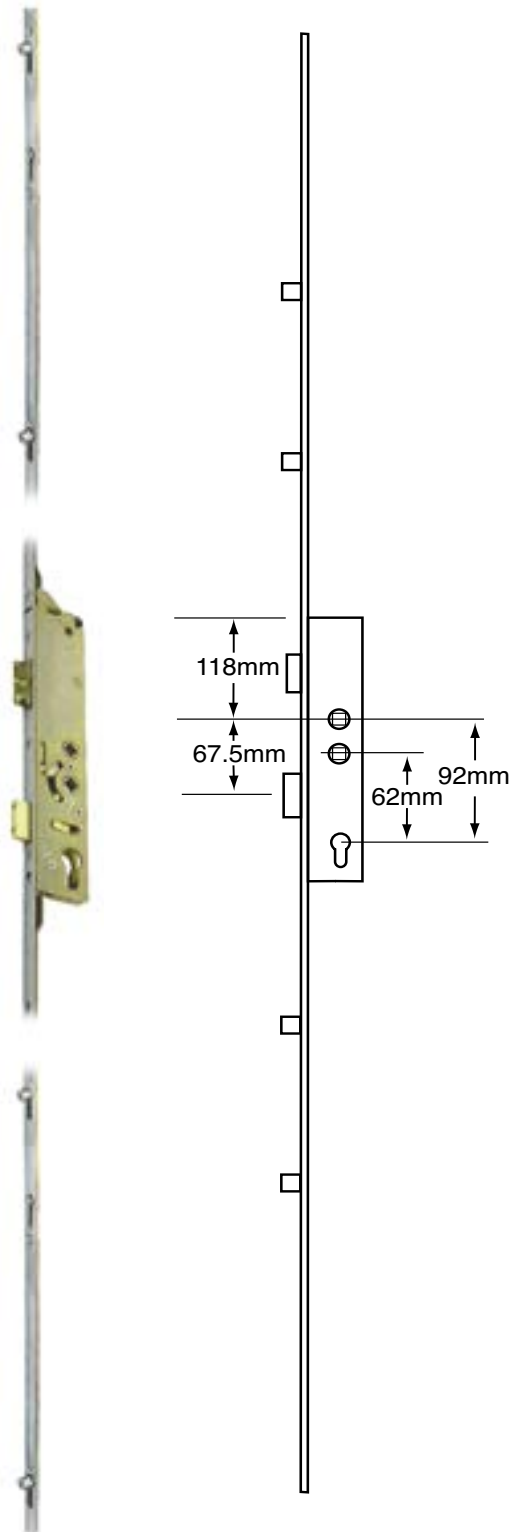
Product Code	Backset	Centres	Spindle	Centre Case	Mfr Ref.	Hooks
L20691	35mm	92/62mm	Twin	Latch & Deadbolt	G712H	2



# YALE Lever Operated Latch & Deadbolt Twin Spindle - 4 Roller



Door



## Features

- Euro Profile Lock Case
- Latch & Deadbolt
- Twin Spindle
- 16mm Faceplate

## Operation

A - Lift lever to engage locking mechanisms and then one full turn of the cylinder to lock. One full turn of the key then push down on the lever to unlock.

## Notes

Product discontinued, please replace with CH10584.

## Associated Products

### CHAMELEON Pro Adaptable Door Handle

- CH30025 White
- CH30026 Silver
- CH30027 Polished Silver
- CH30028 Gold
- CH30068 Black



page 312

### GU 6-3001400 Centre Keep

- L12049 LH
- L12050 RH



page 453

### FERCO E11637-00-0-3 Roller Keep

- L14405 Roller Keep



page 508

Product Code	Backset	Centres	Centre Case	Mfr Ref.	Spindle
L20693	35mm	92/62mm	Latch & Deadbolt	G713	Twin

Full Units -



# YALE Lever Operated Latch & Deadbolt Twin Spindle - Attachment for Shoot Bolts



## Features

- Euro Profile Lock Case
- Latch & deadbolt
- Twin Spindle
- 16mm Faceplate

## Operation

A - Lift lever to engage locking mechanisms and then one full turn of the cylinder to lock. One full turn of the key then push down on the lever to unlock.

## Notes

Product discontinued, please replace with CH10579.

## Associated Products

### CHAMELEON Pro Adaptable Door Handle

CH30025	White
CH30026	Silver
CH30027	Polished Silver
CH30028	Gold
CH30068	Black



page  
312

### GU 6-3001400 Centre Keep

L12049	LH
L12050	RH



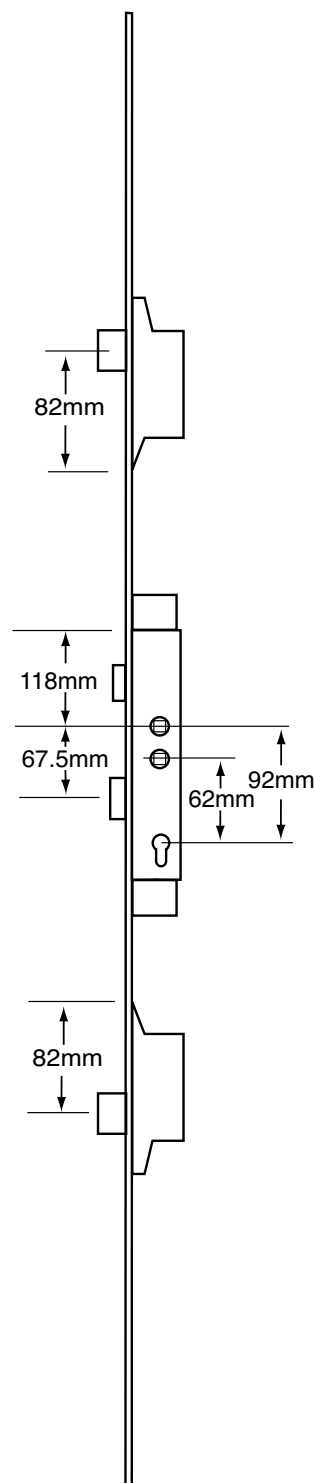
page  
453

### GU Deadbolt Keep

L15386	Deadbolt Keep
--------	---------------

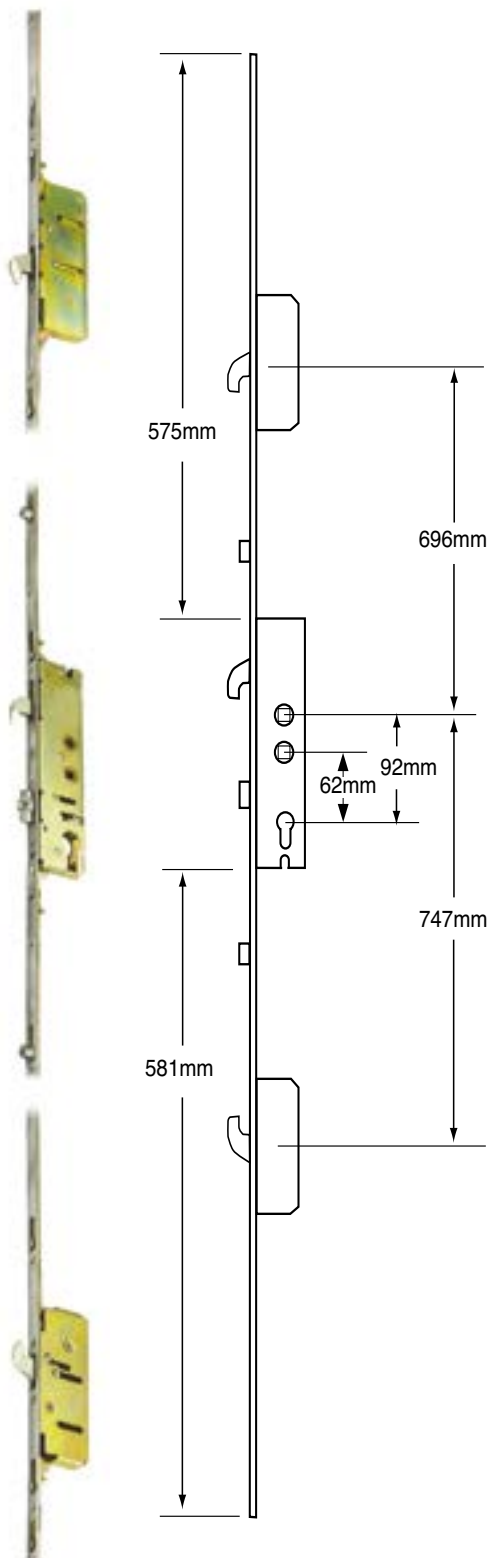


page  
454



Product Code	Backset	Centres	Spindle	Centre Case	Mfr Ref.
L20692	35mm	92/62mm	Twin	Latch & Deadbolt	G712A

# YALE Lever Operated Latch & Hook Bolt Twin Spindle - 2 Roller 2 Hook



## Features

- Euro Profile Lock Case
- Latch & Hook Bolt
- Twin Spindle
- 16mm Faceplate

## Operation

A - Lift lever to engage locking mechanisms and then one full turn of the cylinder to lock. One full turn of the key then push down on the lever to unlock.

## Notes

Still available for special order or replace gearbox L18760 or as an alternative L18705 Doormaster lock.

## Gearbox

YALE Doormaster Lever Operated Latch & Hookbolt Twin Spindle Gearbox To Suit G2000

L18760 35/92



page 55

## Associated Products

CHAMELEON Pro Adaptable Door Handle

- CH30025 White
- CH30026 Silver
- CH30027 Polished Silver
- CH30028 Gold
- CH30068 Black



page 312

FERCO E11637-00-0-3 Roller Keep

L14405 Roller Keep



page 508

GU 6-3001400 Centre Keep

- L12049 LH
- L12050 RH



page 453

GU Hook Bolt Keep

L15385 Hook Bolt Keep



page 516

Product Code	Backset	Centre Case	Spindle	Centres	Mfr Ref.	Hooks	Rollers
L20694	35mm	Latch & Hook Bolt	Twin	92/62mm	G2725	2	2



# YALE Lever Operated Latch & Hook Bolt Twin Spindle - 4 Roller

**DISCONTINUED**



## Features

- Euro Profile Lock Case
- Latch & Hook Bolt
- Twin Spindle
- 16mm Faceplate

## Operation

A - Lift lever to engage locking mechanisms and then one full turn of the cylinder to lock. One full turn of the key then push down on the lever to unlock.

## Notes

**Discontinued - replace gearbox L18760 or replace with L18709 Doormaster.**

## Gearbox

YALE Doormaster Lever Operated Latch & Hookbolt Twin Spindle Gearbox To Suit G2000

L18760 35/92



page  
55

## Associated Products

CHAMELEON Pro Adaptable Door Handle

CH30025 White  
CH30026 Silver  
CH30027 Polished Silver  
CH30028 Gold  
CH30068 Black



page  
312

ASEC 92 Lever/Lever UPVC Furniture - 240mm Backplate

L18398 Chrome  
L18399 Gold  
L18400 White



page  
323

FERCO E11637-00-0-3 Roller Keep

L14405 Roller Keep



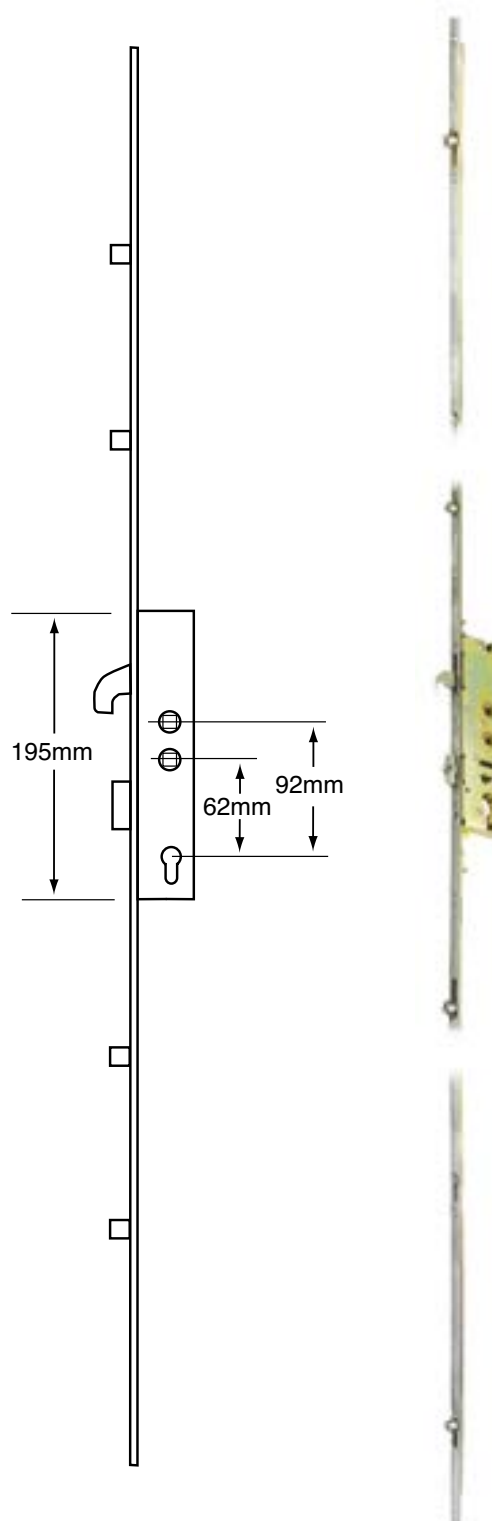
page  
508

GU 6-3001400 Centre Keep

L12049 LH  
L12050 RH



page  
453



Door



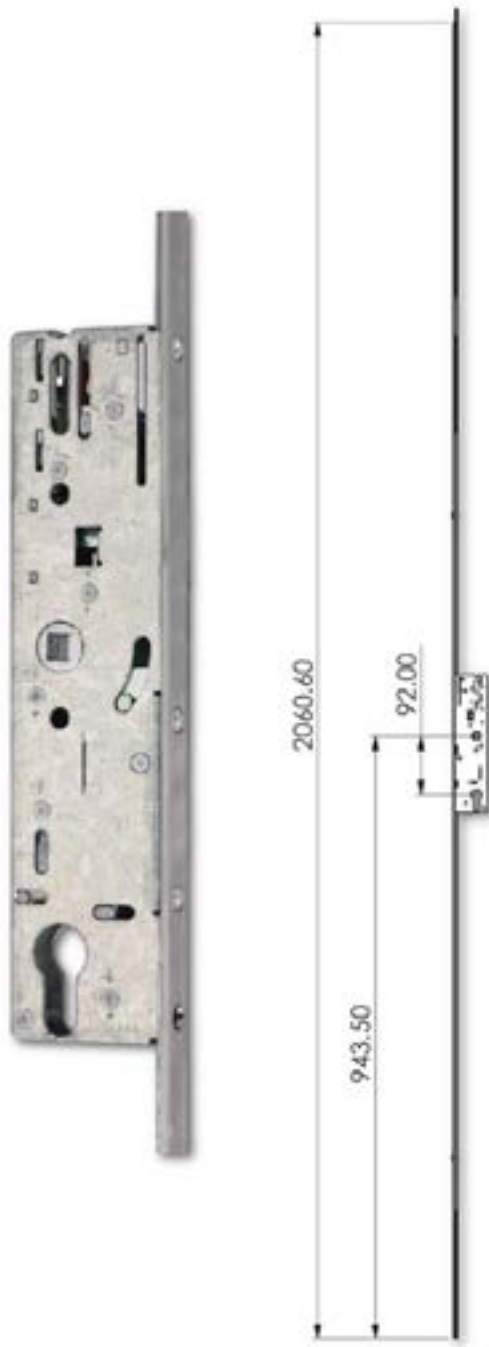
Full Units -

Product Code	Backset	Centres	Spindle	Centre Case	Mfr Ref.	Rollers
L20695	35mm	92/62mm	Twin	Latch & Hook Bolt	G2701	4

# YALE YS170 Lever Operated Euro Profile Slave Lock



Door



## Features

- Reversible
- PAS24 & Secured By Design Approved
- Euro cylinder profile
- 10 Year Guarantee
- 16mm faceplate
- Accepts standard 92mm unsprung handles

## Overview

The Yale YS170 is a high quality multipoint locking system that has been designed with security and functionality in mind. This non-handed slave unit is suitable for use on the slave leaf of a French patio door and features a Euro profile centre case. Approved by the Secured By Design scheme and compliant with both the PAS24 and BS6375 standards, the YS170 is a lock that has been built to withstand the elements and comes with 10 year mechanical and security guarantee from Yale as standard.

## Associated Products

### CHAMELEON Pro Adaptable Door Handle

- CH30025 White
- CH30026 Silver
- CH30027 Polished Silver
- CH30028 Gold
- CH30068 Black



page 312

### ASEC 92 Lever/Lever UPVC Furniture - 220mm Backplate

- L18404 Black
- L18405 Chrome
- L18406 Gold
- L18407 White



page 322

Product Code	Backset	Centres	Mfr Ref.	Faceplate Width
L26612	35mm	92mm	YS170-SL	16mm
L26613	45mm	92mm	YS170-SL45	16mm

Full Units -



# YALE YS170 Lever Operated Latch & Hook Bolt Split Spindle - 2 Hook



## Features

- PAS24 & Secured By Design Approved
- Ideal for UPVC doors
- Euro profile latch & hook bolt centre case
- Reverse hook bolts for anti-lift
- 10 Year Guarantee
- 16mm Stainless Steel faceplate

## Overview

The Yale YS170 is a high quality multipoint locking system that has been designed with security and functionality in mind. This unit features a Euro profile latch & hook bolt centre case, a split spindle and 2 reverse action hook bolts (for superior anti-lift). For ease of use, the latch can be held or deadlocked by use of a snib. Approved by the Secured By Design scheme and compliant with both the PAS24 and BS6375 standards, the YS170 is a lock that has been built to withstand the elements and comes with 10 year mechanical and security guarantee from Yale as standard.

## Operation

A - Lift lever to engage locking mechanisms and then one full turn of the cylinder to lock. One full turn of the key then push down on the lever to unlock.

## Gearbox

### YALE YS170 Lever Operated Latch & Hookbolt Split Spindle Gearbox

L21819 35/92  
L21820 45/92



page  
56

## Associated Products

### CHAMELEON Pro Adaptable Door Handle

CH30025 White  
CH30026 Silver  
CH30027 Polished Silver  
CH30028 Gold  
CH30068 Black



page  
312

### YALE YS170 Hook Keep

L26614 Hook Keep



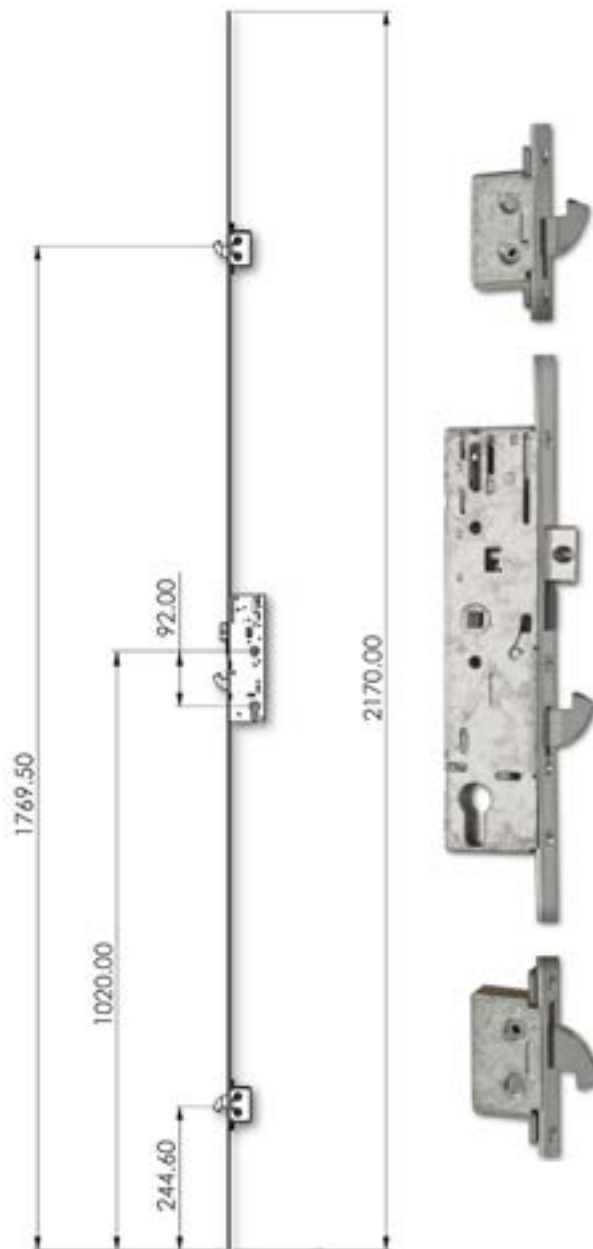
page  
521

### YALE YS170 Centre Keep

L26615 LH  
L26616 RH

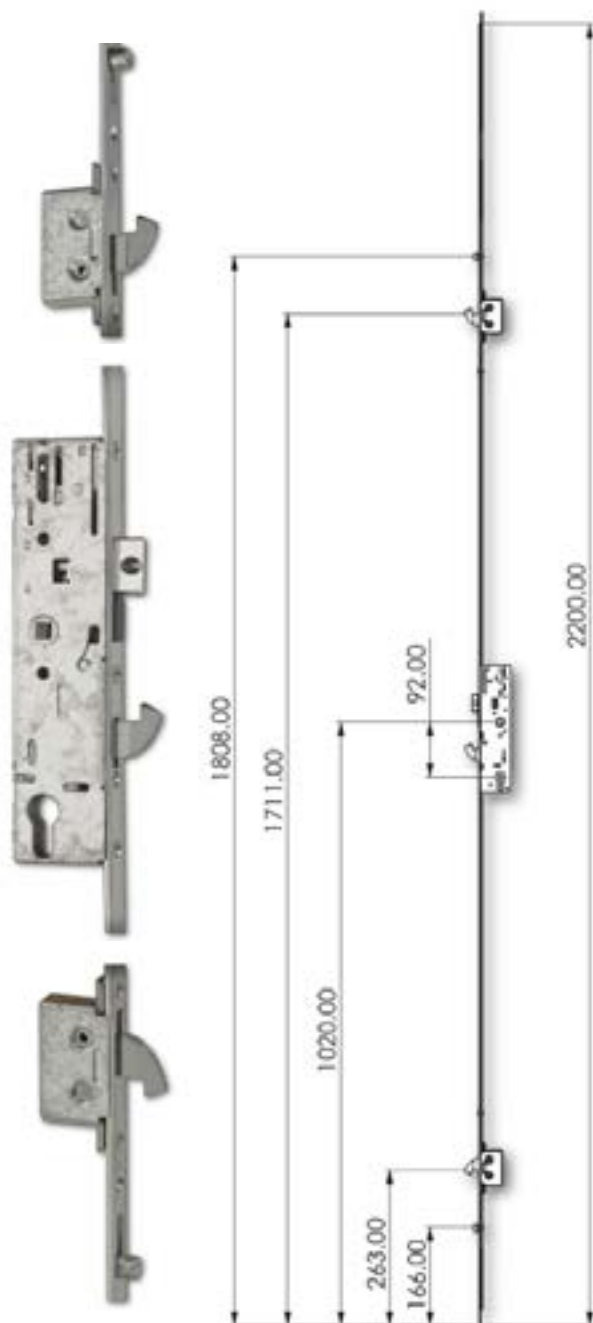


page  
502



Product Code	Backset	Centres	Spindle	Centre Case	Mfr Ref.	Hooks
L26605	35mm	92mm	Split	Latch & Hook Bolt	YS170-3H35	2
L26607	45mm	92mm	Split	Latch & Hook Bolt	YS170-3H45	2

# YALE YS170 Lever Operated Latch & Hook Bolt Split Spindle - 2 Hook 2 Roller



## Features

- PAS24 & Secured By Design Approved
- Ideal for UPVC doors
- Euro profile latch & hook bolt centre case
- Reverse hook bolts for anti-lift
- 10 Year Guarantee
- 16mm Stainless Steel faceplate

## Overview

The Yale YS170 is a high quality multipoint locking system that has been designed with security and functionality in mind. This unit features a Euro profile latch & hook bolt centre case, a 16mm faceplate, a split spindle, 2 reverse action hook bolts (for superior anti-lift) and 2 rollers (for a tight, weatherproof seal). For ease of use, the latch can be held or deadlocked by use of a snib. Approved by the Secured By Design scheme and compliant with both the PAS24 and BS6375 standards, the YS170 is a lock that has been built to withstand the elements and comes with 10 year mechanical and security guarantee from Yale as standard.

## Operation

A - Lift lever to engage locking mechanisms and then one full turn of the cylinder to lock. One full turn of the key then push down on the lever to unlock.

## Gearbox

### YALE YS170 Lever Operated Latch & Hookbolt Split Spindle Gearbox

L21819 35/92



page  
56

## Associated Products

### CHAMELEON Pro Adaptable Door Handle

CH30025 White  
CH30026 Silver  
CH30027 Polished Silver  
CH30028 Gold  
CH30068 Black



page  
312

### YALE YS170 Hook Keep

L26614 Hook Keep



page  
521

### YALE YS170 Centre Keep

L26615 LH  
L26616 RH



page  
502

Product Code	Backset	Centres	Spindle	Centre Case	Mfr Ref.	Hooks	Rollers
L26604	35mm	92mm	Split	Latch & Hook Bolt	YS170-3H2OR	2	2

# YALE YS170 Lever Operated Latch & Hook Bolt Split Spindle - 2 Hook 4 Roller

92 35 Yale

Door

## Features

- PAS24 & Secured By Design Approved
- Ideal for UPVC doors
- Euro profile latch & hook bolt centre case
- Reverse hook bolts for anti-lift
- 10 Year Guarantee
- 16mm Stainless Steel faceplate

## Overview

The Yale YS170 is a high quality multipoint locking system that has been designed with security and functionality in mind. This unit features a Euro profile latch & hook bolt centre case, a 16mm faceplate, a split spindle, 2 reverse action hook bolts (for superior anti-lift) and 4 rollers (for a tight, weatherproof seal). For ease of use, the latch can be held or deadlocked by use of a snib. Approved by the Secured By Design scheme and compliant with both the PAS24 and BS6375 standards, the YS170 is a lock that has been built to withstand the elements and comes with 10 year mechanical and security guarantee from Yale as standard.

## Operation

A - Lift lever to engage locking mechanisms and then one full turn of the cylinder to lock. One full turn of the key then push down on the lever to unlock.

## Gearbox

### YALE YS170 Lever Operated Latch & Hookbolt Split Spindle Gearbox

L21819 35/92

page  
56

## Associated Products

### CHAMELEON Pro Adaptable Door Handle

CH30025 White  
CH30026 Silver  
CH30027 Polished Silver  
CH30028 Gold  
CH30068 Black

page  
312

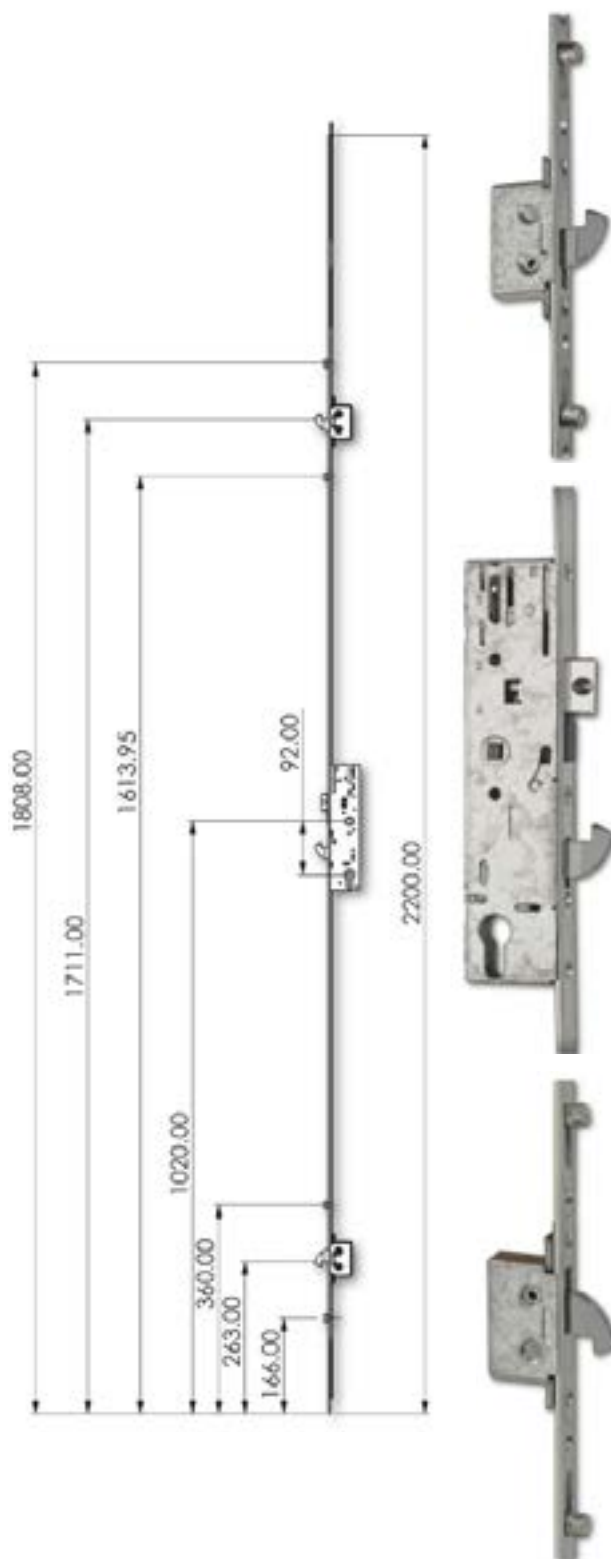
### YALE YS170 Hook Keep

L26614 Hook Keep

page  
521

### YALE YS170 Centre Keep

L26615 LH  
L26616 RH

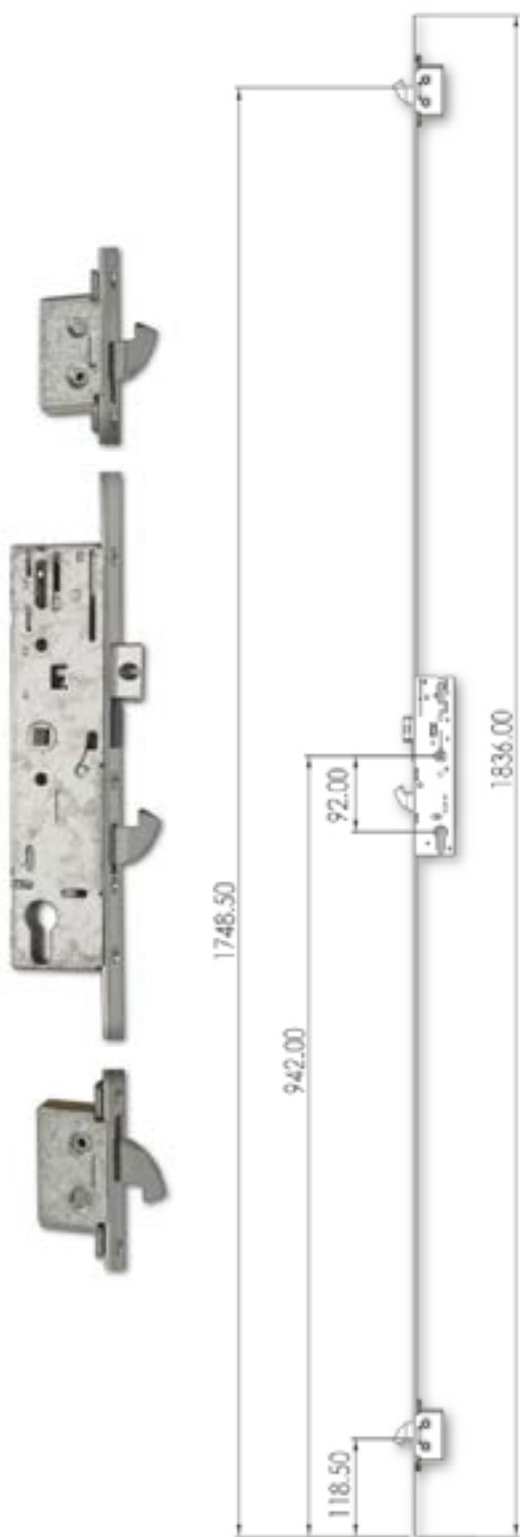
page  
502

Full Units -

Product Code	Backset	Centres	Spindle	Centre Case	Mfr Ref.	Hooks	Rollers
L26606	35mm	92mm	Split	Latch & Hook Bolt	YS170-3H4R	2	4



# YALE YS170 Lever Operated Latch & Hook Bolt Split Spindle 20mm Flat - 2 Hook



## Features

- PAS24 & Secured By Design Approved
- Ideal for timber & composite doors
- Euro profile latch & hook bolt centre case
- Reverse hook bolts for anti-lift
- 10 Year Guarantee
- 20mm Stainless Steel faceplate (flat)

## Overview

The Yale YS170 is a high quality multipoint locking system that has been designed with security and functionality in mind. This unit features a Euro profile latch & hook bolt centre case, a 20mm flat faceplate, a split spindle and 2 reverse action hook bolts (for superior anti-lift). For ease of use, the latch can be held or deadlocked by use of a snib. Approved by the Secured By Design scheme and compliant with both the PAS24 and BS6375 standards, the YS170 is a lock that has been built to withstand the elements and comes with 10 year mechanical and security guarantee from Yale as standard.

## Operation

A - Lift lever to engage locking mechanisms and then one full turn of the cylinder to lock. One full turn of the key then push down on the lever to unlock.

## Gearbox

### YALE YS170 Lever Operated Latch & Hookbolt Split Spindle Gearbox

L21819	35/92
L21820	45/92



page  
56

## Associated Products

### CHAMELEON Pro Adaptable Door Handle

CH30025	White
CH30026	Silver
CH30027	Polished Silver
CH30028	Gold
CH30068	Black



page  
312

### YALE YS170 Hook Keep

L26614	Hook Keep
--------	-----------



page  
521

### YALE YS170 Centre Keep

L26615	LH
L26616	RH



page  
502

Product Code	Backset	Centres	Spindle	Centre Case	Mfr Ref.	Hooks
L26609	35mm	92mm	Split	Latch & Hook Bolt	YS170-3HDS35	2
L26608	45mm	92mm	Split	Latch & Hook Bolt	YS170-3HDS	2



# YALE YS170 Lever Operated Latch & Hook Bolt Split Spindle 20mm Radius - 2 Hook

92 45 Yale

Door



Full Units -

## Features

- PAS24 & Secured By Design Approved
- Ideal for timber & composite doors
- Euro profile latch & hook bolt centre case
- Reverse hook bolts for anti-lift
- 10 Year Guarantee
- 20mm Stainless Steel faceplate (radius)

## Overview

The Yale YS170 is a high quality multipoint locking system that has been designed with security and functionality in mind. This unit features a Euro profile latch & hook bolt centre case, a 20mm radius faceplate, a split spindle and 2 reverse action hook bolts (for superior anti-lift). For ease of use, the latch can be held or deadlocked by use of a snib. Approved by the Secured By Design scheme and compliant with both the PAS24 and BS6375 standards, the YS170 is a lock that has been built to withstand the elements and comes with 10 year mechanical and security guarantee from Yale as standard.

## Operation

A - Lift lever to engage locking mechanisms and then one full turn of the cylinder to lock. One full turn of the key then push down on the lever to unlock.

## Gearbox

YALE YS170 Lever Operated Latch & Hookbolt Split Spindle Gearbox  
L21820 45/92

page  
56

## Associated Products

CHAMELEON Pro Adaptable Door Handle

CH30025 White  
CH30026 Silver  
CH30027 Polished Silver  
CH30028 Gold  
CH30068 Black

page  
312

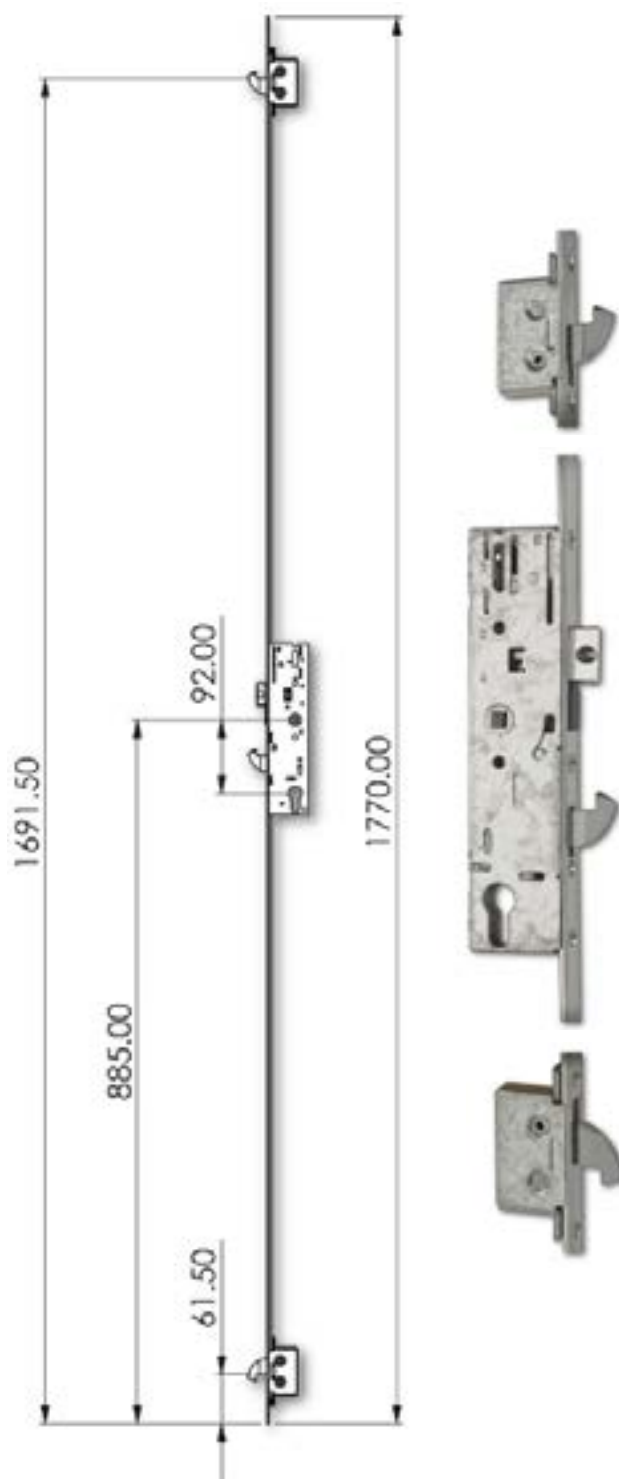
YALE YS170 Hook Keep

L26614 Hook Keep

page  
521

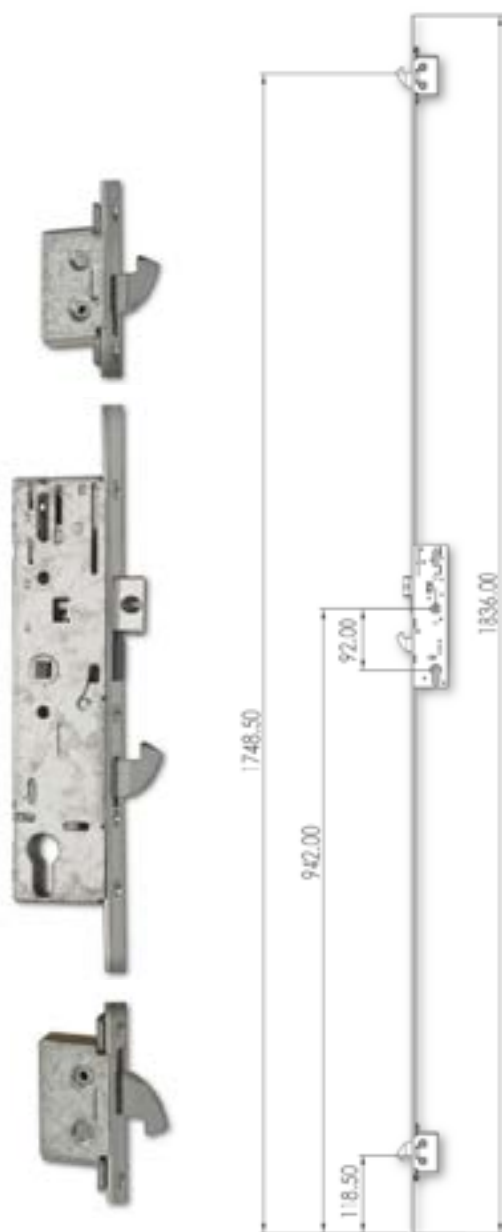
YALE YS170 Centre Keep

L26615 LH  
L26616 RH

page  
502

Product Code	Backset	Centres	Spindle	Centre Case	Mfr Ref.	Hooks
L26610	45mm	92mm	Split	Latch & Hook Bolt	YS170-3HRAD	2

# YALE YS170 Lever Operated Latch & Hook Bolt Split Spindle 20mm Radius To Suit IG Doors - 2 Hook



## Features

- 20mm Stainless Steel faceplate (radius)
- PAS24 & Secured By Design Approved
- Euro profile latch & hook bolt centre case
- Reverse hook bolts for anti-lift
- To suit IG Doors (commonly found in Barrett & Persimmon Homes)
- 10 Year Guarantee

## Overview

The Yale YS170 is a high quality multipoint locking system that has been designed with security and functionality in mind. This unit features a Euro profile latch & hook bolt centre case, a 20mm radius faceplate, a split spindle and 2 reverse action hook bolts (for superior anti-lift). For ease of use, the latch can be held or deadlocked by use of a snib. Approved by the Secured By Design scheme and compliant with both the PAS24 and BS6375 standards, the YS170 is a lock that has been built to withstand the elements and comes with 10 year mechanical and security guarantee from Yale as standard.

## Operation

A - Lift lever to engage locking mechanisms and then one full turn of the cylinder to lock. One full turn of the key then push down on the lever to unlock.

## Gearbox

YALE YS170 Lever Operated Latch & Hookbolt Split Spindle Gearbox  
L21820 45/92



page  
56

## Associated Products

### CHAMELEON Pro Adaptable Door Handle

CH30025 White  
CH30026 Silver  
CH30027 Polished Silver  
CH30028 Gold  
CH30068 Black



page  
312

### YALE YS170 Hook Keep

L26614 Hook Keep



page  
521

### YALE YS170 Centre Keep

L26615 LH  
L26616 RH



page  
502

Product Code	Backset	Centres	Spindle	Centre Case	Mfr Ref.	Hooks
L26617	45mm	92mm	Split	Latch & Hook Bolt	YS170-3H45IGILH	2

» Door

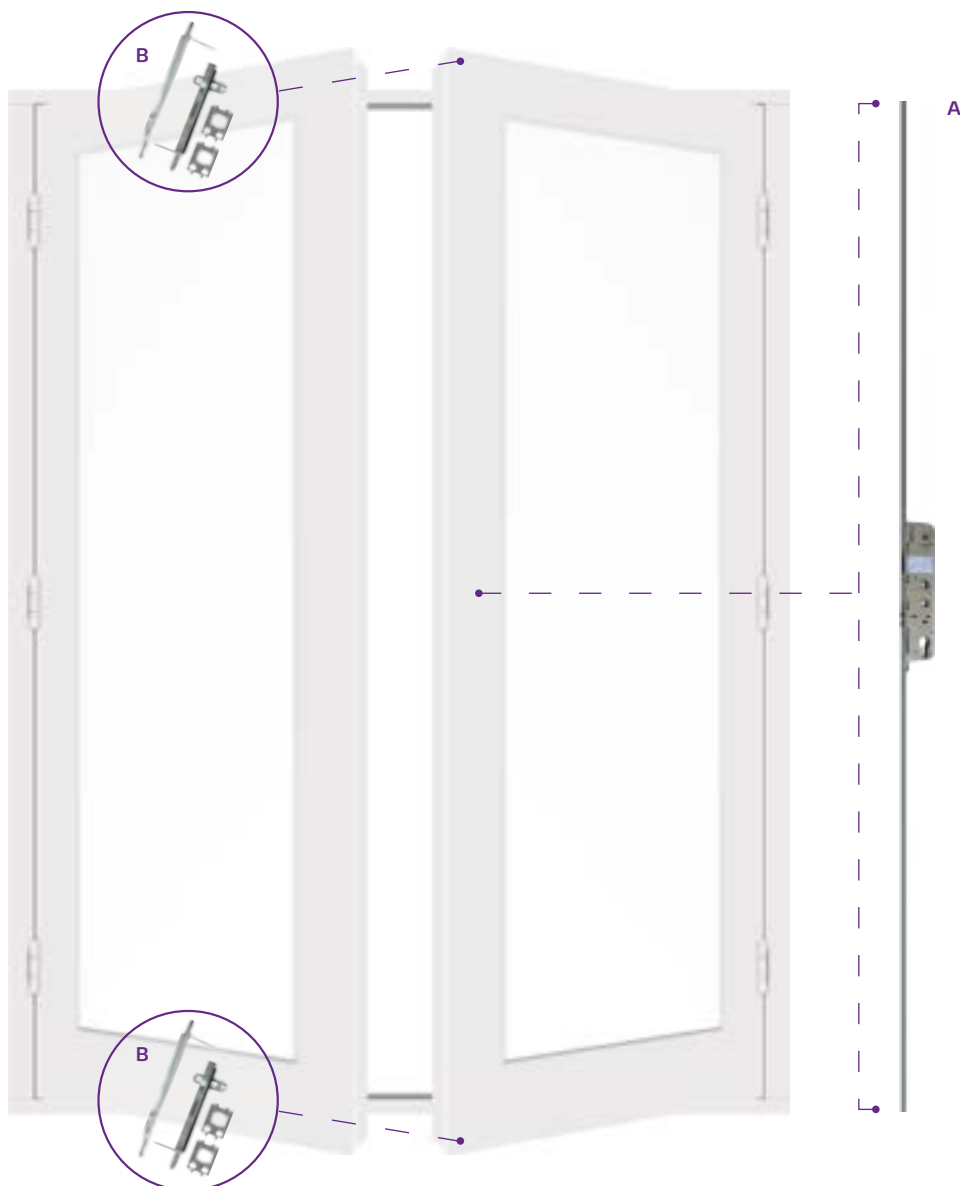
# French Door

---

AVANTIS	<b>304</b>
ERA	<b>305 - 306</b>
GU	<b>307</b>
YALE	<b>308 - 309</b>



## AVANTIS DL-01-CC-HS-SS Lever Operated Euro Profile Slave Lock



### Features

- Non-handed mechanism
- Twin Spindle
- Euro cylinder profile
- 16mm faceplate
- Accepts standard 92mm unsprung handles

B

CH18687 - CHAMELEON Adaptable Shootbolt Kit

### Overview

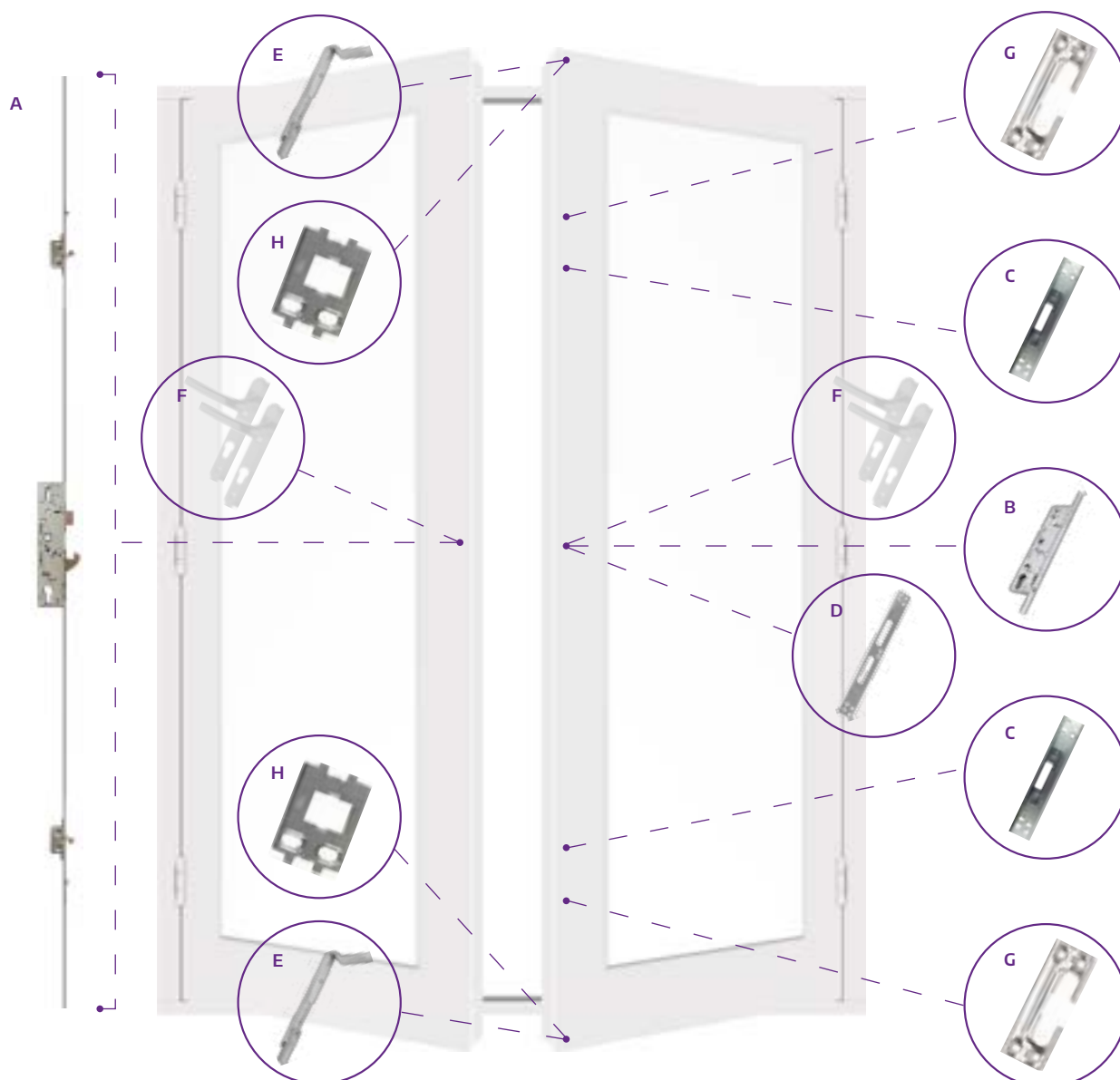
This non-handed Euro cylinder profile lock with 92mm centres from Avantis is suitable for use on the slave leaf of French patio and sliding doors. This gearbox and arms has a total length of 2200mm and should be fitted with shootbolt extensions to form a full unit.

### Operation

A - Lift lever to engage locking mechanisms and then one full turn of the cylinder to lock. One full turn of the key then push down on the lever to unlock.

Product Code	Backset	Centres	Spindle	Case Height	Case Width	Faceplate Width	Length
L26421 (A)	35mm	92mm	Twin	220mm	50mm	16mm	2200mm

# ERA 6635 Lever Operated Latch & Hook Bolt Split Spindle 16mm - 2 Hook 2 Roller



## Features

- Bi-directional throw of locking feature - enhanced anti-jimmy feature
- Split Spindle for lever/pad applications
- Non-handed lock mechanism with reversible sash bolt
- 16mm Faceplate
- Snib facility as standard on all locks

## Overview

This non-handed high security multipoint locking system is designed to meet the requirements of Secured by Design, passing the latest PAS23 and PAS24 testing criteria. The Era 6635 has a snib, bi-directional throw of locking feature with an enhanced anti-jimmy feature and is suitable for split spindle lever/pad applications.

## Operation

A - Lift lever to engage locking mechanisms and then one full turn of the cylinder to lock. One full turn of the key then push down on the lever to unlock.

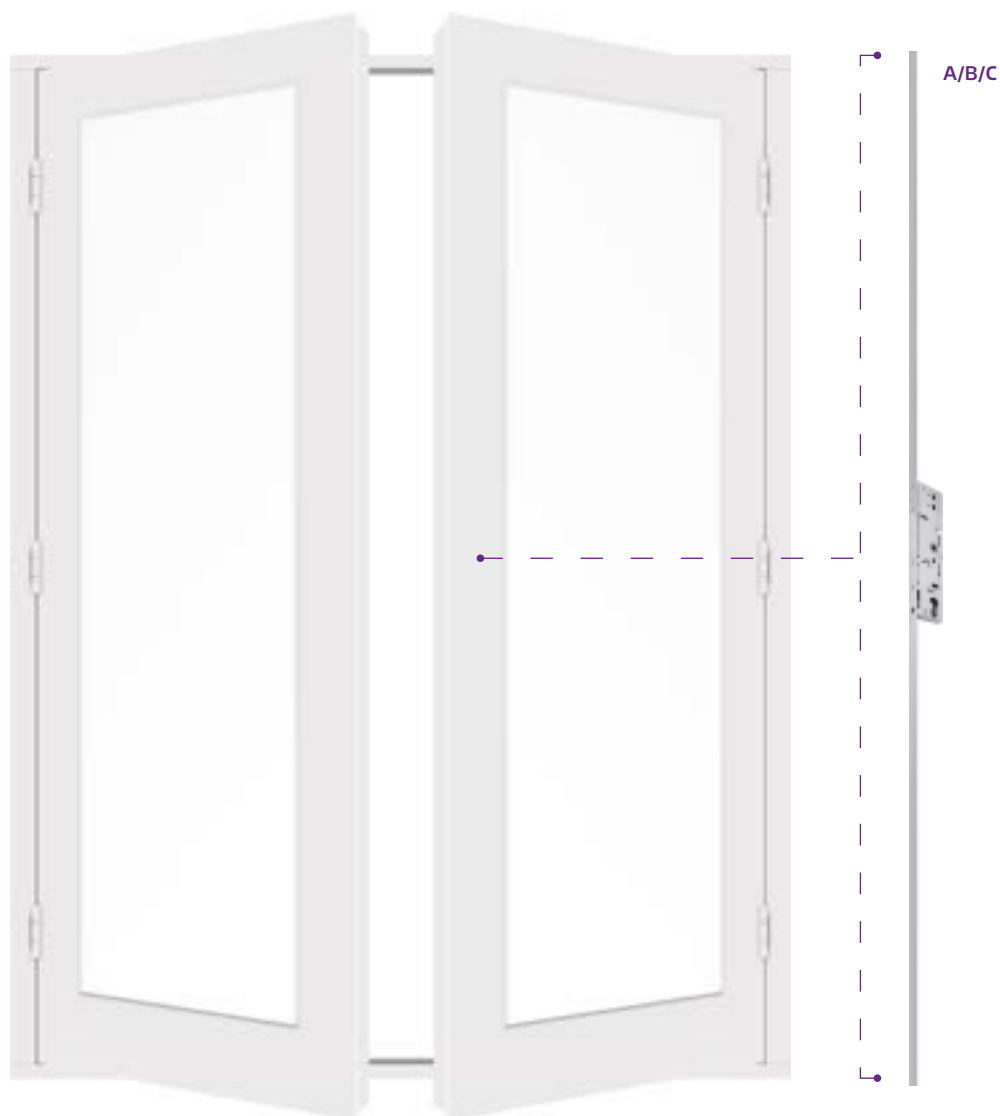
C	CH10305 - CHAMELEON Adaptable Hook Keep
D	AS10303 - ASEC Modular Repair Lock Keep - Centre
E	L25225 - ERA UPVC High Security Shootbolt
F	L18407 - Asec 92 Lever/Lever UPVC Furniture - 220mm Backplate
G	L12051 - Roller Keep
H	L18044 - Single Shootbolt Keep

Product Code	Backset	Centres	Spindle	Centre Case	Mfr Ref.	Hooks	Rollers
L24183 (A)	35mm	92mm	Split	Latch & Hook Bolt	6635 00 85AA	2	2
L25222 (B)	35mm	92mm	-	Slave Lock	-	-	-



92 30 35 40

## ERA Lever Operated Euro Profile Slave Lock



### Features

- Shootbolts sold separately
- Accepts standard 92mm unsprung handles
- 16mm faceplate
- Euro cylinder profile
- Non-handed mechanism
- Easy-fit packer system for alternative profiles

### Overview

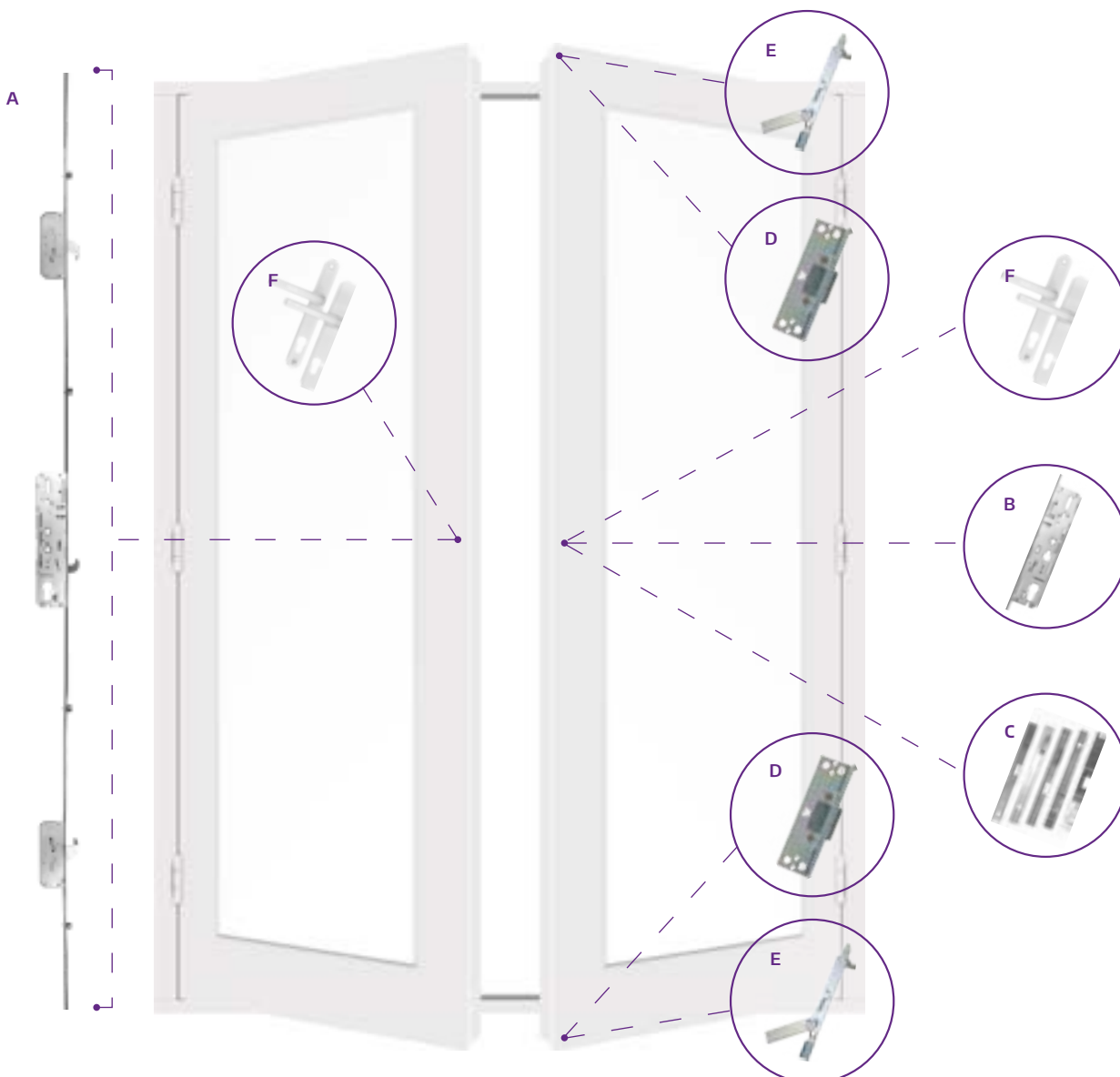
This non-handed Era Euro cylinder profile multipoint lock with 92mm centres is suitable for use on the slave leaf of French patio and sliding doors. This gearbox and arms has a total length of 1800mm and should be fitted with shootbolt extensions to form a full unit. Additionally, an extension piece can also be fitted if extra length is required.

### Operation

A - Lift lever to engage locking mechanisms and then one full turn of the cylinder to lock. One full turn of the key then push down on the lever to unlock.

Product Code	Backset	Centres	Spindle	Case Height	Case Width	Faceplate Width	Length
L25221 (A)	30mm	92mm	Single	221mm	48mm	16mm	1800mm
L25222 (B)	35mm	92mm	Single	221mm	48mm	16mm	1800mm
L25223 (C)	40mm	92mm	Single	221mm	48mm	16mm	1800mm

# GU 3000 ProLock Short & Slave Lever Operated Latch & Deadbolt - 2 Hook 4 Roller



## Features

- Latch & Deadbolt (short)
- Twin spindle (short) & single spindle (slave)
- 16mm wide faceplate
- 2 Hooks & 4 Rollers (short)
- 92/62 centres (short) & 92mm centres (slave)
- 35mm backset (short)

## Overview

The GU 3000 ProLock Short & Slave are lever operated multipoint lock systems.

## Operation

A - Lift lever to engage locking mechanisms and then one full turn of the cylinder to lock. One full turn of the key then push down on the lever to unlock.

**C** L24047 - GU 3000 ProLock Short Full Length Keep LH  
or  
L24048 - GU 3000 ProLock Short Full Length Keep RH

**D** L24043 - GU 3000 Pro Shootbolt Attachment  
To Suit ProLock Slave

**E** L24045 - GU 3000 Pro Shootbolt Keep  
To Suit ProLock Slave

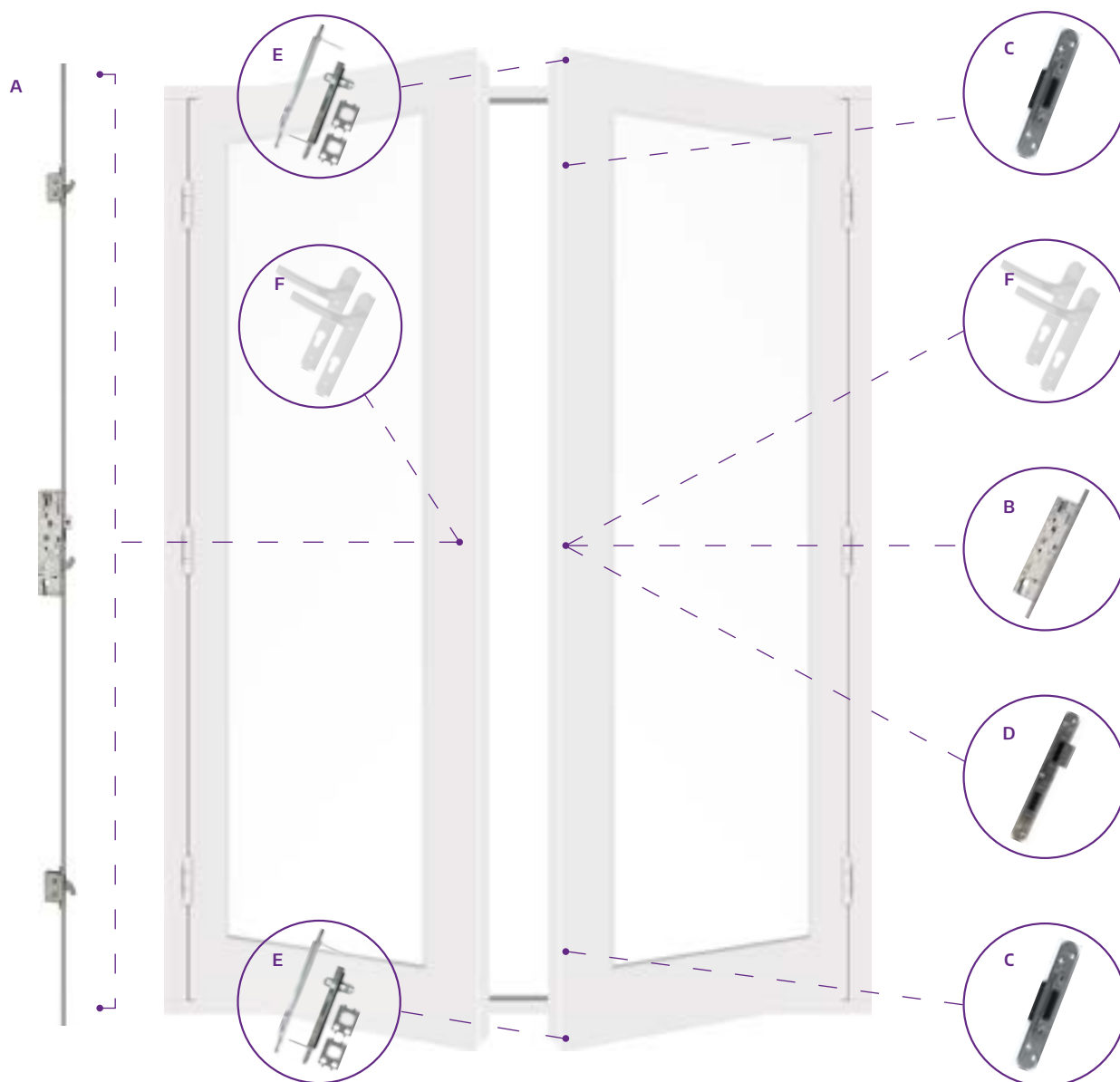
**F** L18400 - ASEC 92 Lever/Lever UPVC Furniture  
- 240mm Backplate

Product Code	Backset	Centres	Spindle	Centre Case	Mfr Ref.	Hooks
L24046 (A)	35mm	92/62mm	Twin	Latch & Hook	PROLOCKSHORT	2
L24042 (B)	35mm	92/62mm	-	Slave Lock	-	-





## YALE YS170 Lever Operated Latch & Hook Bolt Split Spindle - 2 Hook



### Features

- PAS24 & Secured By Design Approved
- Ideal for UPVC doors
- Euro profile latch & hook bolt centre case
- Reverse hook bolts for anti-lift
- 10 Year Guarantee
- 16mm Stainless Steel faceplate

### Overview

This unit features a Euro profile latch & hook bolt centre case, a split spindle and 2 reverse action hook bolts (for superior anti-lift). For ease of use, the latch can be held or deadlocked by use of a snib. Approved by the Secured By Design scheme and compliant with both the PAS24 and BS6375 standards, the YS170 is a lock that has been built to withstand the elements and comes with 10 year mechanical and security guarantee from Yale as standard.

### Operation

A - Lift lever to engage locking mechanisms and then one full turn of the cylinder to lock. One full turn of the key then push down on the lever to unlock.

C **L26614** - YALE YS170 Hook Keep

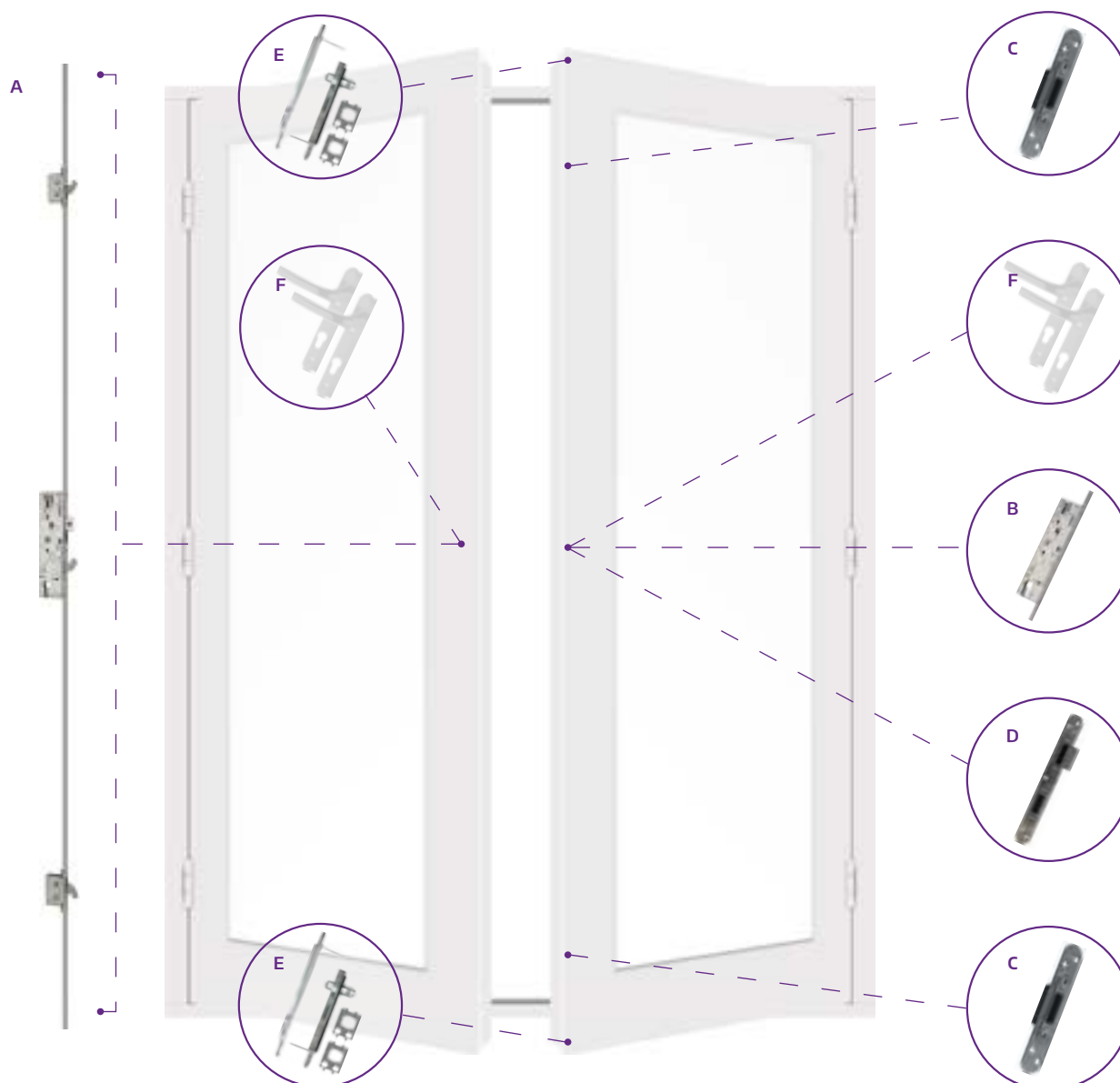
D **L26615** - YALE YS170 Centre Keep LH  
or  
**L26616** - YALE YS170 Centre Keep RH

E **CH18687** - CHAMELEON Adaptable Shootbolt Kit

F **L18407** - Asec 92 Lever/Lever UPVC Furniture  
- 220mm backplate

Product Code	Backset	Centres	Spindle	Centre Case	Mfr Ref.	Hooks
L26605 (A)	35mm	92mm	Split	Latch & Hook Bolt	YS170-3H35	2
L26612 (B)	35mm	92mm	-	Slave Lock	-	-

# YALE YS170 Lever Operated Latch & Hook Bolt Split Spindle - 2 Hook



## Features

- PAS24 & Secured By Design Approved
- Ideal for UPVC doors
- Euro profile latch & hook bolt centre case
- Reverse hook bolts for anti-lift
- 10 Year Guarantee
- 16mm Stainless Steel faceplate

## Overview

This unit features a Euro profile latch & hook bolt centre case, a split spindle and 2 reverse action hook bolts (for superior anti-lift). For ease of use, the latch can be held or deadlocked by use of a snib. Approved by the Secured By Design scheme and compliant with both the PAS24 and BS6375 standards, the YS170 is a lock that has been built to withstand the elements and comes with 10 year mechanical and security guarantee from Yale as standard.

## Operation

A - Lift lever to engage locking mechanisms and then one full turn of the cylinder to lock. One full turn of the key then push down on the lever to unlock.

C	L26614 - YALE YS170 Hook Keep
D	L26615 - YALE YS170 Centre Keep LH or L26616 - YALE YS170 Centre Keep RH
E	CH18687 - CHAMELEON Adaptable Shootbolt Kit
F	L18407 - Asec 92 Lever/Lever UPVC Furniture - 220mm backplate

Product Code	Backset	Centres	Spindle	Centre Case	Mfr Ref.	Hooks
L26607 (A)	45mm	92mm	Split	Latch & Hook Bolt	YS170-3H45	2
L26613 (B)	45mm	92mm	-	Slave Lock	-	-

# Join the revolution

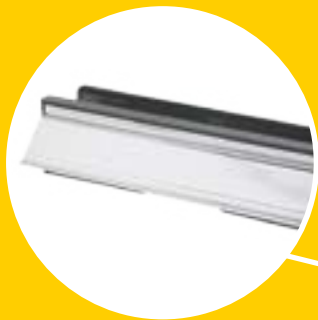
The new Yale PAS3621 British Standard Doormaster is the ultimate solution for uPVC, timber and composite doors. The Yale BS Doormaster lock is currently the only multi-point lock that carries the British Standard Kitemark and offers a suitable retrofit replacement product for PAS24 doors without the need to fit an exact like for like replacement lock.



PAS 3621: 2011



The Yale Universal door handle features a unique and innovative design, with adjustable fixing points that cater for the majority of multipoint locks.



The Universal 12" Letterplate is designed to perfectly compliment the Yale PVCu door accessories.



The Platinum 3 Star cylinder has been independently tested by BSI to be awarded the British Kitemarked TS007:2014 3 Star accreditation.

\*\*\*



TS007 3\* Approved for Maximum Security

## Replacement Multipoint Lock, furniture and cylinders.

Find out more by visiting our website.

[www.yale.co.uk](http://www.yale.co.uk)

  YaleTradeUK

[www.yale.co.uk](http://www.yale.co.uk)

ASSA ABLOY



An ASSA ABLOY Group brand

» Door

# Furniture

---

Handle	<b>312 - 363</b>
Letter Plate	<b>364 - 371</b>
Door Tidy	<b>372 - 373</b>
Door Knocker	<b>373 - 374</b>
Door Viewer	<b>374 - 377</b>
Letters & Numerals	<b>378</b>
Accessories	<b>379 - 385</b>

## CHAMELEON PRO 59-96mm Adaptable Door Handle



### Features

- Adaptable vertical handle position to suit lock centres between 59-96mm including offset to allow for easy installation
- Double spring mechanism to allow handles to return to horizontal position
- Adjustable backplate enables handle to accommodate a wide range of screw hole centres
- Concealed external fixing head and outer plate for increased security
- Non-handed
- Fixings included
- Offset Spindle sold separately (CH10323)

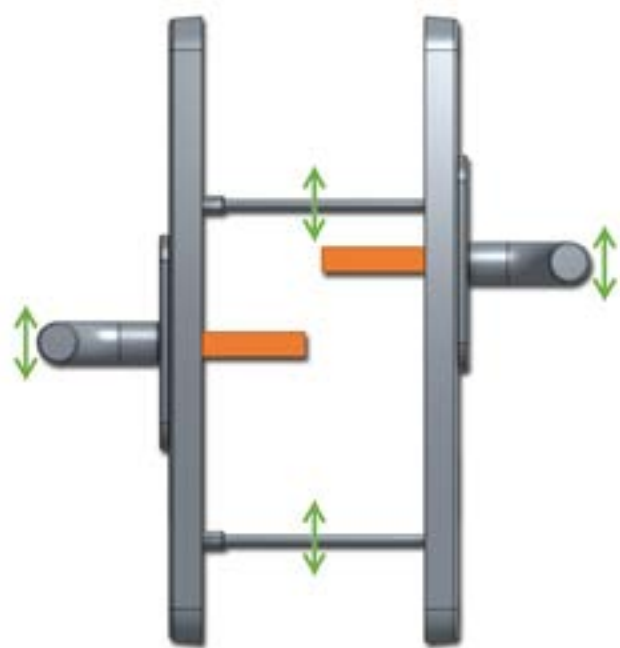
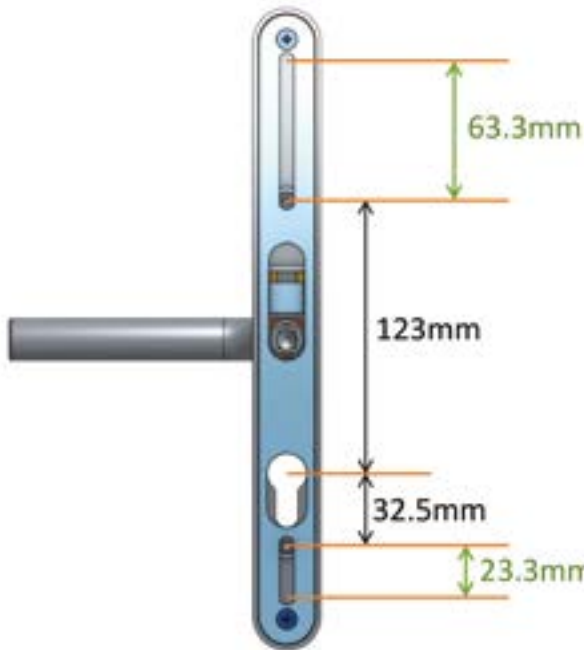
### Overview

The Chameleon PRO Handle features an adjustable handle height, (to accommodate both inline and offset centres between 59- 96mm) and adjustable screw centres. This unit features concealed external fittings for superior security and the sliding mechanism is fitted with a nylon seal for ingress protection.

### Associated Products

**CHAMELEON PRO 92PZ 122mm Fixing Conversion Kit**  
CH30069 Convert PRO Adaptable Handle the handle to 122mm fixing

**CHAMELEON Half Spindles To Suit Split Spindle Applications**  
CH10323 60mm & 63mm Pair



Product Code	Centres	Finish	Screw Centres	Spindle
CH30025	59mm - 96mm	White	156mm - 242mm	8mm
CH30026	59mm - 96mm	Silver	156mm - 242mm	8mm
CH30027	59mm - 96mm	Polished Silver	156mm - 242mm	8mm
CH30028	59mm - 96mm	Gold	156mm - 242mm	8mm
CH30068	59mm - 96mm	Black	156mm - 242mm	8mm

ASEC 48 Lever/Lever UPVC Furniture - 230mm Backplate

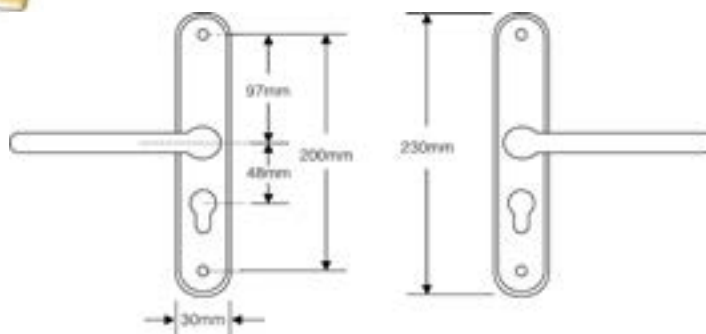


Features

- Supplied with 8mm Spindle and fixing screws.
- Non-handed
- To Suit Everest Lock

Overview

This 48mm centre furniture has been designed to replace the old furniture used on old Everest and Yale / Union locks with 48mm centres



Product Code	Centres	Finish	Screw Centres	Spindle	Mfr Ref.
AS10194	48mm	Gold	200mm	8mm	AS10194
AS10193	48mm	White	200mm	8mm	AS10193

ASEC 48 Lever/Lever UPVC Furniture - 270mm Backplate

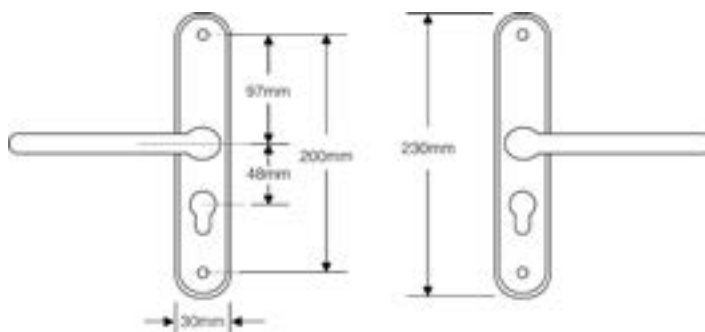


Features

- Supplied with 8mm Spindle and fixing screws.
- Non-handed
- To Suit Everest Lock

Overview

This 48mm centre furniture has been designed to replace the old furniture used on old Everest and Yale / Union locks with 48mm centres. Especially where damage has been do to the screw holes

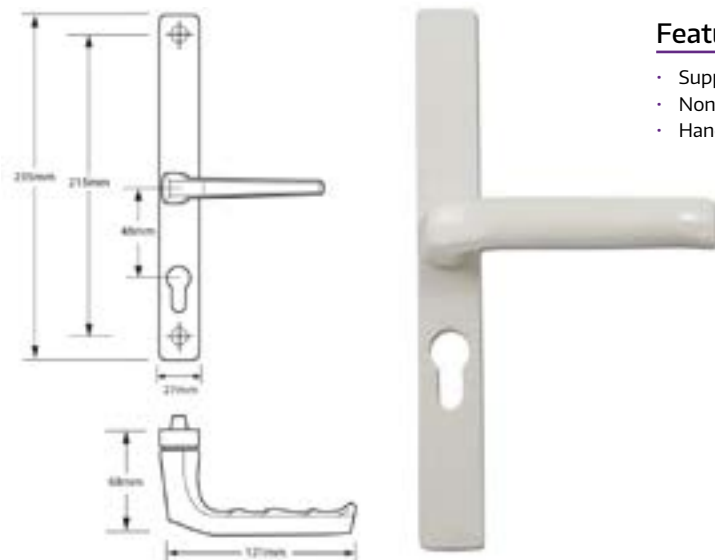


Product Code	Centres	Finish	Screw Centres	Spindle	Mfr Ref.
AS10202	48mm	Polished Chrome	240mm	8mm	AS10202
AS10200	48mm	Gold	240mm	8mm	AS10200
AS10199	48mm	White	240mm	8mm	AS10199

## HOPPE London UPVC Lever Door Furniture To Suit ABT &amp; UNION



48



## Features

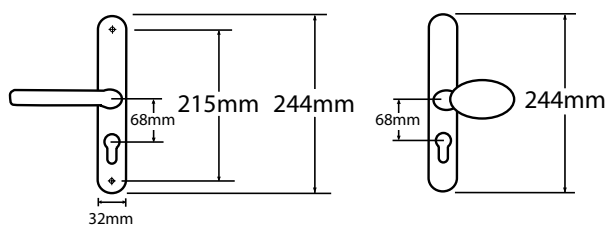
- Supplied with Spring Cassettes, 8mm Spindle and screws.
- Non-handed
- Handles to suit ABT and UNION

Product Code	Centres	Finish	Screw Centres	Spindle
L17465	48mm	Gold	215mm	8mm
L17781	48mm	Silver	215mm	8mm
L17393	48mm	White	215mm	8mm
L26946	48mm	Black	215mm	8mm

## FULLEX 68 Lever/Pad UPVC Furniture - With Snib



68



## Features

- Non Handed.
- Supplied with Spring Cassettes and Spindle.
- The unsprung levers and moveable pad are fully reversible.
- Fixing lugs are supplied on both back plates.
- With snib feature.
- Handles to suit Fullex.

## Notes

L18438 - Discontinued

## Associated Products

## HOPPE Lever / Pad Fixing Plate

L16401 Lever Pad Fixing Plate

## GU Half Spindle

L15382 54mm

L15383 74mm

L15384 64mm

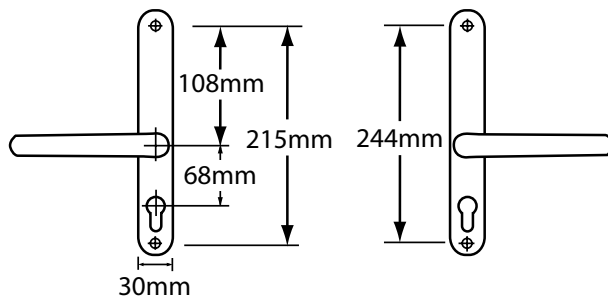
Product Code	Centres	Finish	Screw Centres	Spindle	Mfr Ref.
L18433	68mm	Gold	215mm	8mm	SL97/000880
L18437	68mm	White	215mm	8mm	SL97/100012

FULLEX 68 UPVC Furniture - No Snib



Features

- Sprung or unsprung levers on a fixed back plate.
- To suit Fullflex.



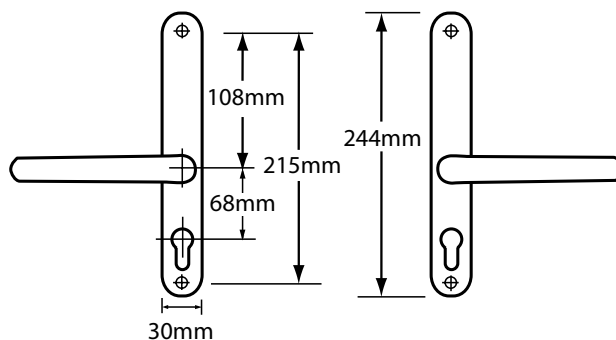
Product Code	Centres	Finish	Screw Centres	Spindle	Mfr Ref.
L18436	68mm	Chrome	215mm	8mm	SL9700047BC
L18434	68mm	Gold	215mm	8mm	SL970000180
L18444	68mm	White	215mm	8mm	SL97100016
L25040	68mm	Silver	215mm	8mm	SL97120016

FULLEX 68 UPVC Furniture - With Snib



Features

- Sprung or unsprung levers on a fixed back plate.
- To suit Fullflex.



Product Code	Centres	Finish	Screw Centres	Spindle	Mfr Ref.
L18443	68mm	Polished Brass	215mm	8mm	SL970022BR
L18435	68mm	Gold	215mm	8mm	SL97000480
L18442	68mm	Silver	215mm	8mm	SL97120013
L18441	68mm	White	215mm	8mm	SL97100013



## FULLEX 68 Lever/Pad UPVC Furniture - No Snib



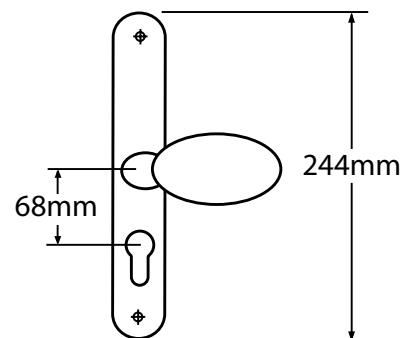
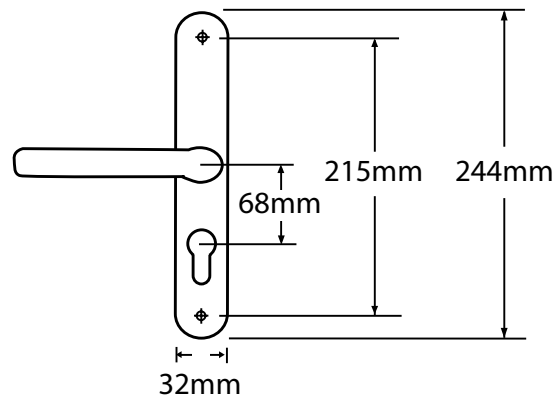
### Features

- Non Handed.
- Supplied with Spring Cassettes and Spindle.
- The unsprung levers and moveable pad are fully reversible.
- Fixing lugs are supplied on both back plates.
- Handles to suit Fullex.

### Associated Products

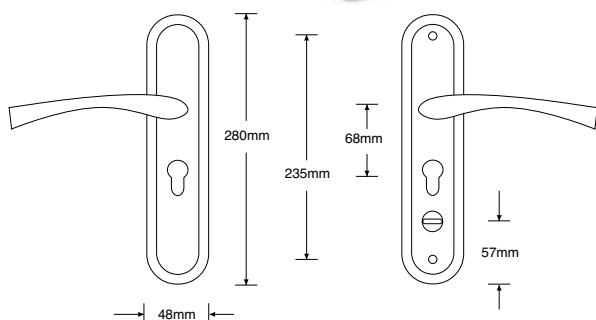
**HOPPE Lever / Pad Fixing Plate**  
L16401 Lever Pad Fixing Plate

**GU Half Spindle**  
L15382 54mm  
L15383 74mm  
L15384 64mm



Product Code	Centres	Finish	Screw Centres	Spindle	Mfr Ref.
L18440	68mm	Gold	215mm	8mm	SL97/001180
L18439	68mm	White	215mm	8mm	SL97/00017

HOOPLY UPVC Lever Door Furniture - With Thumbturn



Features

- Handed Product
- Commonly used on site containers
- Thumbturn built into internal handle

Overview

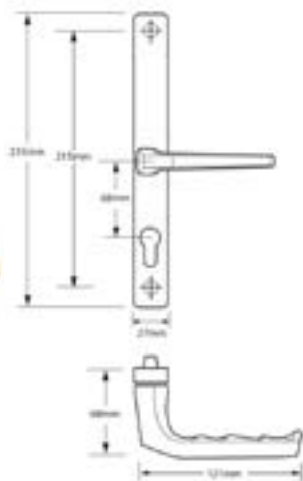
The replacement Hooply Handle Set that is commonly used on site containers. It takes a euro cylinder and has an integral thumbturn on the inside furniture.

Associated Products

HOOPLY Lever Operated Latch & 4 Deadbolt - Centre Case  
L23464 60/68 - PC

Product Code	Centres	Finish	Screw Centre	Spindle	Handed
L23465	68mm	Silver	235mm	8mm	Left Hand
L23466	68mm	Silver	235mm	8mm	Right Hand

HOPPE UPVC Lever Door Furniture To Suit Fullex



Features

- Supplied with Spring Cassettes 8mm Spindle and screws
- Non handed
- Without snib
- Handles to suit Fullex
- The Sprung levers are fixed to back plates and are fully reversible
- Fixing lugs are supplied on both back plates ( 2 on each) for a more secure fix

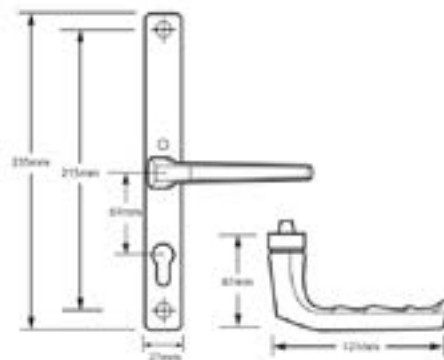
Product Code	Centres	Finish	Screw Centres	Spindle	Mfr Ref.
L13097	68mm	Gold	215mm	8mm	117/363M
L17779	68mm	Silver	215mm	8mm	113/363M
L13098	68mm	White	215mm	8mm	113L/366M

## HOPPE UPVC Lever Door Furniture To Suit Fullex



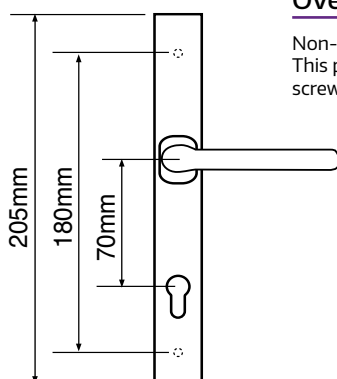
## Features

- Supplied with Spring Cassettes 8mm Spindle and screws.
- Non handed
- The sprung levers are fixed to back plates and are fully reversible
- Fixing lugs are supplied on both back plates ( 2 on each) for a more secure fix
- Supplied complete with snib on inner backplate
- Handles to suit FULLEX



Product Code	Centres	Finish	Screw Centres	Spindle	Mfr Ref.
L13099	68mm	Gold	215mm	8mm	117/363M
L17780	68mm	Silver	215mm	8mm	113/363M
L13100	68mm	White	215mm	8mm	113/363M

## ASEC 70 Lever/Lever Door Furniture To Suit Ferco - 205mm Backplate



## Features

- Supplied complete with spindle, spring cassettes & fixing screws
- Non-handed
- To suit Ferco
- 205mm Backplate
- 70mm Centres

## Overview

Non-handed door furniture with a 205mm backplate and 70mm centres. This product is to suit Ferco locks and comes complete with fixing screws, spring cassettes & a spindle.

Product Code	Centres	Finish	Screw Centres	Spindle	Mfr Ref.
AS10515	70mm	Chrome Plated	180mm	7mm	AS10515
AS10514	70mm	Gold	180mm	7mm	AS10514
AS10513	70mm	White	180mm	7mm	AS10513

ASEC 70 Lever/Lever UPVC Furniture - 270mm Backplate

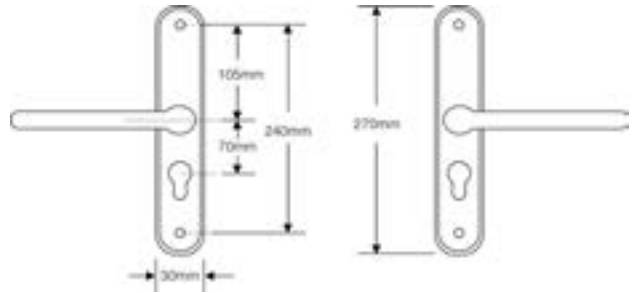


Features

- Supplied with 8mm Spindle and fixing screws.
- Non-handed
- To Suit Ferco

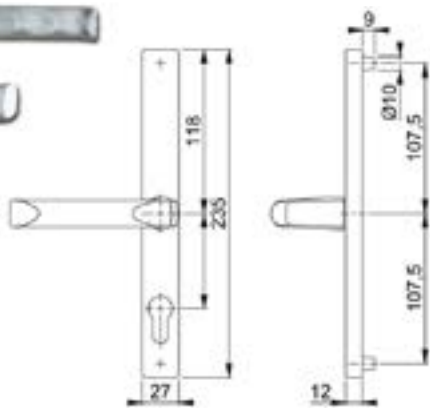
Overview

This 70mm centre furniture has been designed to replace the old furniture used on old Ferco locks



Product Code	Centres	Finish	Screw Centres	Spindle	Mfr Ref.
AS10198	70mm	Gold	240mm	8mm	AS10198
AS10197	70mm	White	240mm	8mm	AS10197

HOPPE London UPVC Lever Door Furniture To Suit Ferco

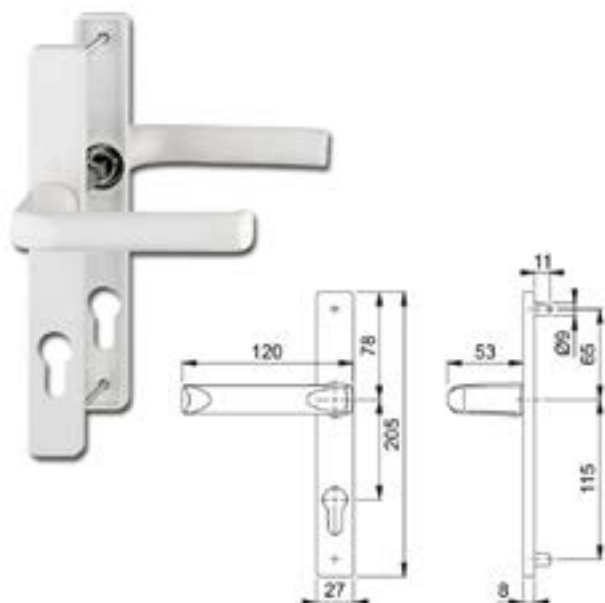


Features

- The unsprung levers are fixed to the back plates and are fully reversible
- Fixing lugs are supplied on both back plates (2 on each) for a more secure fix
- Supplied with 7mm Spindle
- Handles to suit FERCO

Product Code	Centres	Finish	Screw Centres	Spindle
L15455	70mm	Gold	180mm	7mm
L13087	70mm	Silver	180mm	7mm
L13088	70mm	White	180mm	7mm
L26946	70mm	Black	180mm	7mm

## HOPPE London UPVC Lever Door Furniture



## Features

- Supplied with spindle
- Reversible handing
- Set on a narrow backplate, ideal for French doors
- Maintenance-free slide bearing
- Bolt through M4 fixings

## Overview

The Hoppe London 113/200LM is an aluminium handle set on a narrow backplate ideally suited for use on for French doors. It has a maintenance-free slide bearing, bolt through M4 fixings and a euro profile cut out.

Product Code	Centres	Finish	Screw Centres	Spindle
L26947	72mm	Gold	180mm	7mm
L26948	72mm	Silver	180mm	7mm
L26949	72mm	White	180mm	7mm

## ASEC 85 Lever/Lever UPVC Furniture - 242mm Backplate



## Features

- Non-handed
- Sprung furniture
- Fixings included
- 85mm centres
- 8mm spindle

## Overview

Asec multipoint lock door furniture with 85mm centres available in gold, silver and white finishes. This sprung handle comes supplied with all necessary fixings.

Product Code	Centres	Finish	Screw Centres	Spindle	Mfr Ref.
AS10666	85mm	Gold	211.5mm	8mm	AS10666
AS10667	85mm	Silver	211.5mm	8mm	AS10667
AS10668	85mm	White	211.5mm	8mm	AS10668

SORRENTO 85 Lever/Lever UPVC Furniture

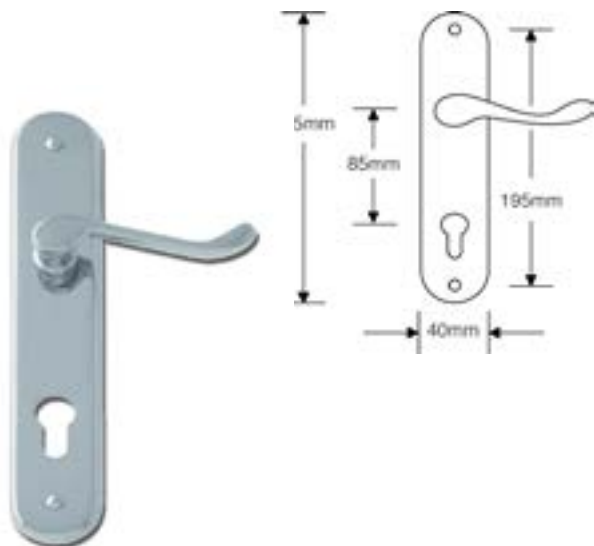


Features

- Fitted to older Barratt, Persimmon home properties
- Handles to suit UCEM lock
- 85mm centres
- Non handed
- Sprung furniture

Overview

Sorrento multipoint lock door furniture has 85mm centres and is often fitted to older Barratt and Persimmon home properties.



Product Code	Centres	Finish	Screw Centres	Spindle	Mfr Ref.
L18457	85mm	Chrome Plated	195mm	8mm	IFH12.02RC

SIENNA 85 Lever/Lever UPVC Furniture



Features

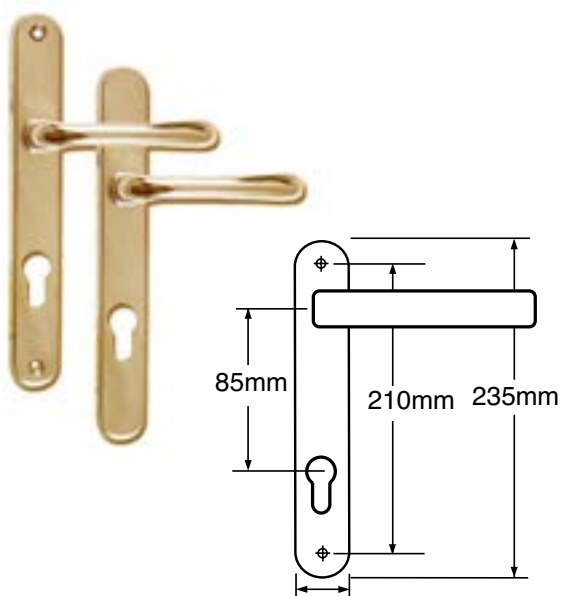
- Non handed levers
- Fixed handles on back plates
- Used with Gridlock multi-point locks
- 85mm centres

Overview

Sienna multipoint lock door furniture with 85mm centres to suit Gridlock multipoint locks.

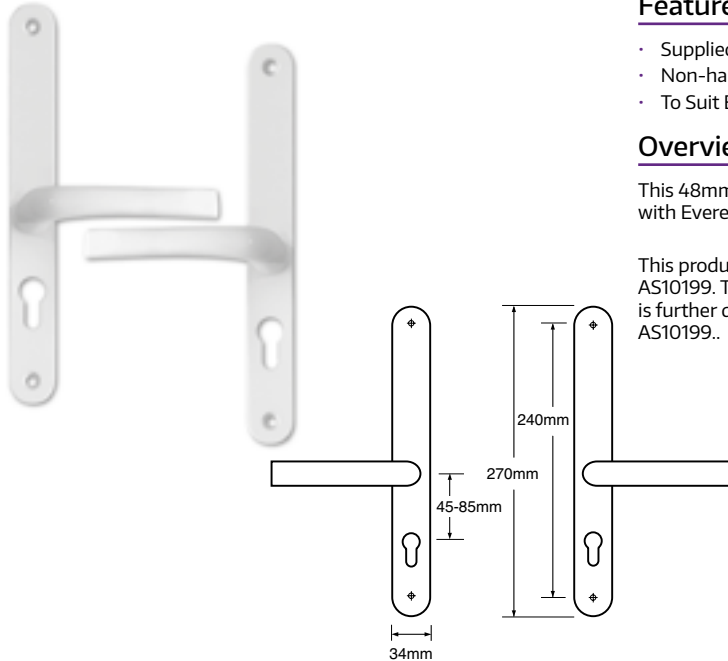
Associated Products

SIENNA 92 Lever/Lever UPVC Furniture  
L18458 Chrome



Product Code	Centres	Finish	Screw Centres	Spindle	Mfr Ref.
L18459	85mm	Polished Brass	210mm	8mm	IFH12.42CP

## ASEC 48/87 Lever/Lever UPVC Furniture - 270mm Backplate



### Features

- Supplied with 8mm spindle and fixing screws
- Non-handed
- To Suit Everest Lock

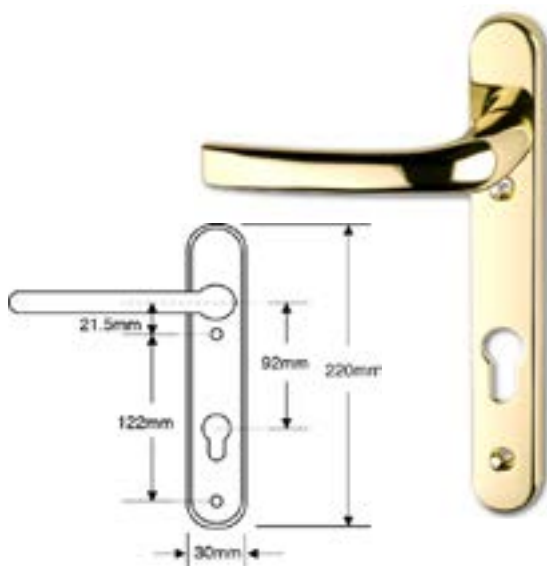
### Overview

This 48mm centre furniture is designed to replace the furniture used with Everest and Yale / Union locks with 48mm centres

This product has the same measurements and finish as product AS10199. The distinguishing feature is that the handle placement is further down on the backplate in AS10664 and is more central in AS10199..

Product Code	Centres	Finish	Screw Centres	Spindle	Mfr Ref.
AS10664	48/87mm	White	240mm	8mm	AS10664

## ASEC 92 Lever/Lever UPVC Furniture - 220mm Backplate



### Features

- Supplied complete with screws and spindles
- Quality die cast construction
- Unsprung levers
- Non handed
- Handles to suit FUHR, AGB, ASGARD, KFV, MACO, WINKHAUS, GU, LOCKMASTER & MILA.
- 122MM Screw centres

### Overview

Stylish contemporary design available in a range of attractive finishes.

Product Code	Centres	Finish	Screw Centres	Spindle
L18404	92mm	Black	122mm	8mm
L18405	92mm	Chrome Plated	122mm	8mm
L18406	92mm	Gold	122mm	8mm
L18407	92mm	White	122mm	8mm

ASEC 92 Lever/Lever UPVC Furniture - 240mm Backplate

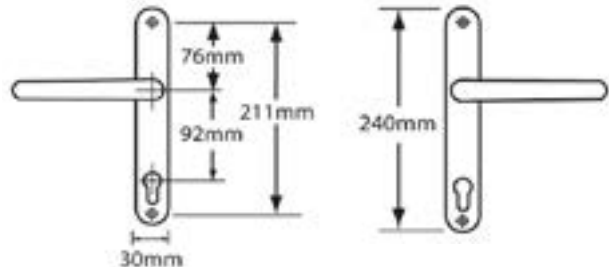


Features

- Supplied with 8mm Spindle and fixing screws
- Non Handed
- Designed to fit the majority of 92mm centre locks
- Handles to suit FUHR, AGB, ASGARD, KFV, MACO, ROTO, WINKHAUS, GU, LOCKMASTER & MILA

Overview

Stylish contemporary design available in a range of attractive finishes.



Product Code	Centres	Finish	Screw Centres	Spindle
L18398	92mm	Chrome Plated	211mm	8mm
L18399	92mm	Gold	211mm	8mm
L18400	92mm	White	211mm	8mm

ASEC 92 Lever/Pad UPVC Furniture - 220mm Backplate

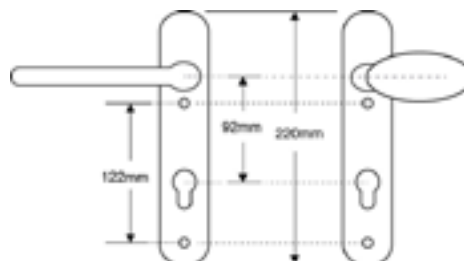


Features

- Non Handed
- Unsprung
- Handles to suit FUHR, AGB, ASGARD, KFV, MACO, WINKHAUS, GU, LOCKMASTER & MILA

Overview

Stylish contemporary design available in a range of attractive finishes. In line lever and pad.



Product Code	Centres	Finish	Screw Centres	Spindle
L18401	92mm	Black	211mm	8mm
L18402	92mm	Chrome Plated	211mm	8mm
L18403	92mm	Gold	211mm	8mm

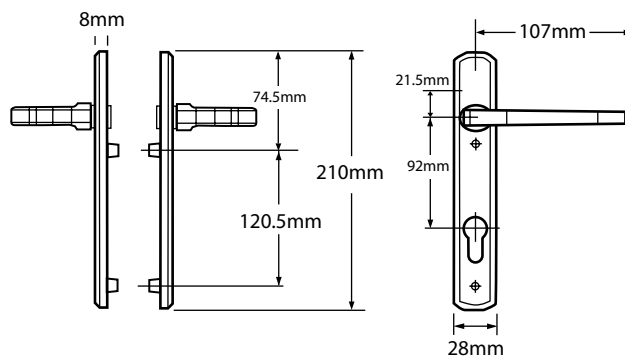


## AVOCET 92 Lever/Lever UPVC Furniture - 120mm Fixings



## Features

- Unsprung Levers.
- Non Handed.
- Handles to suit FUHR, AGB, ASGARD, KfV, MACO, WINKHAUS, GU, LOCKMASTER & MILA.



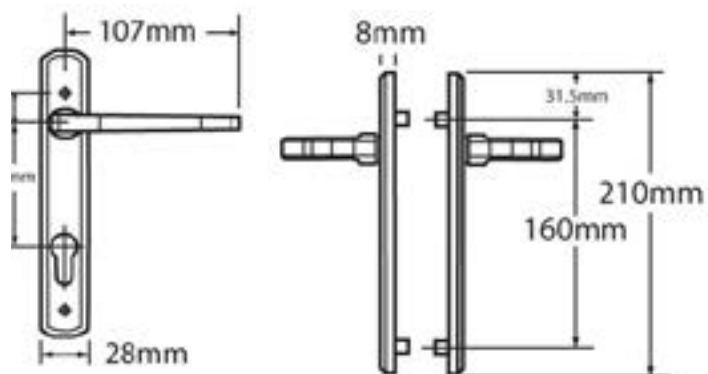
Product Code	Centres	Finish	Screw Centres	Spindle	Mfr Ref.
L18410	92mm	Gold	122mm	8mm	PUNILLCG08

## AVOCET 92 Lever/Lever UPVC Furniture - 160mm Fixings



## Features

- Supplied with 8mm Spindle and fixing screws.
- Non handed.
- Unsprung.
- Handles to suit AVOCET, MILA & ROTO.



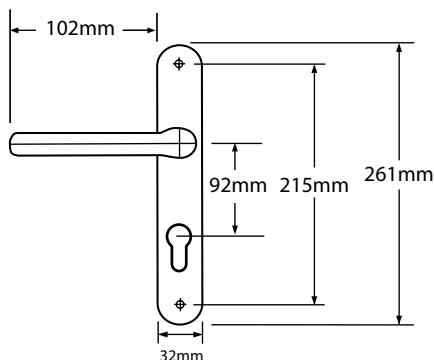
Product Code	Centres	Finish	Screw Centres	Spindle	Mfr Ref.
L18411	92mm	Black	160mm	8mm	MNNL08
L18418	92mm	Gold	160mm	8mm	MBG008P
L18420	92mm	White	160mm	8mm	MBWH08

AVOCET Affinity 92 Lever/Lever UPVC Furniture - Long



Features

- Non handed levers.
- Fixed handles with spring cassette.
- Supplied with spindle and fixing screws.
- Handles to suit FUHR, AGB, ASGARD, KfV, MACO, ROTO, WINKHAUS, GU, LOCKMASTER & MILA.



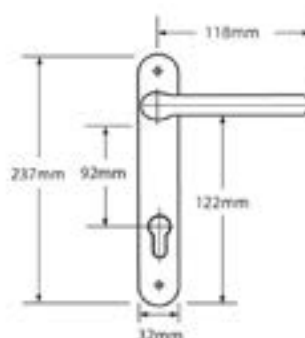
Product Code	Centres	Finish	Screw Centres	Spindle	Mfr Ref.
L18417	92mm	Chrome Plated	215mm	8mm	DHAFADCHLLL
L18416	92mm	Gold	215mm	8mm	DHAFADCGLLL
L18415	92mm	White	215mm	8mm	DHAFADHWLLLA

AVOCET Affinity 92 Lever/Lever UPVC Furniture - Short



Features

- Non handed levers.
- Fixed handles with spring cassette.
- Fixing lugs to both back plates.
- Handles to suit FUHR, AGB, ASGARD, KfV, MACO, ROTO, WINKHAUS, GU, LOCKMASTER & MILA.



Product Code	Centres	Finish	Screw Centres	Spindle	Mfr Ref.
L18414	92mm	Chrome Plated	122mm	8mm	DHAFADCHLLS
L18413	92mm	Gold	122mm	8mm	DHAFADCGLLS
L18412	92mm	White	122mm	8mm	DHAFADWHLLSA

## ERA Classic 92PZ UPVC Lever/Lever UPVC Furniture 3295

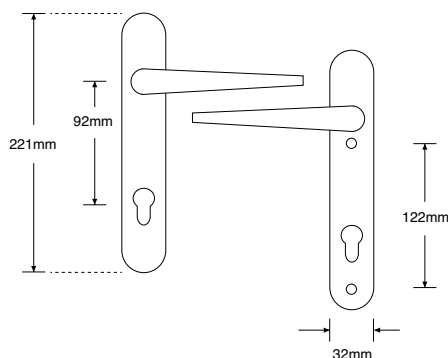


### Features

- Suitable for PVCu, aluminium, composite and timber doors

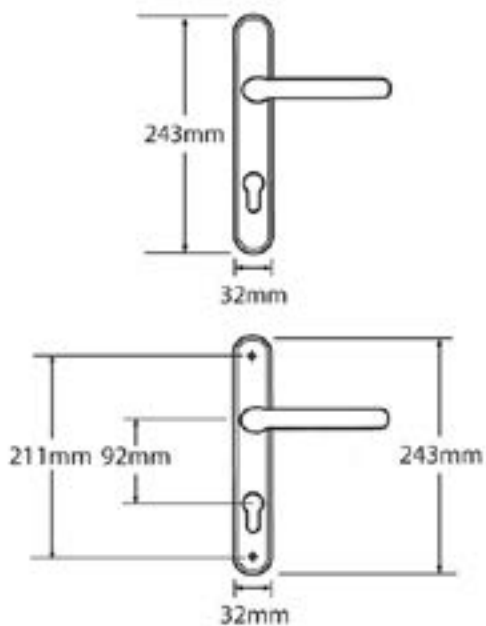
### Overview

The Era classic 3295 range offers stylish handle design combined with a traditional style and an exceptional finish. The levers have been ergonomically designed with a solid grip, styled with a softly rounded backplate and is designed to fit most multi-point door locks fitted with a Euro-cylinder.



Product Code	Centres	Finish	Spindle	Screw Centres	Mfr Ref.
L23491	92mm	Chrome	8mm	122mm	3295-37
L23492	92mm	Gold	8mm	122mm	3295-75
L23493	92mm	White	8mm	122mm	3295-01

## FAB &amp; FIX 92PZ Lever/Lever UPVC Furniture - Ashford



### Features

- Non handed levers.
- Fixed handles on back plates.
- Fixed spring cassette.
- Handles to suit FUHR, AGB, ASGARD, KfV, MACO, ROTO, WINKHAUS, GU, LOCKMASTER & MILA.



Product Code	Centres	Finish	Screw Centres	Spindle	Mfr Ref.
L18421	92mm	White	211mm	8mm	1A000

FAB & FIX 92PZ Lever/Pad UPVC Furniture - Ashford



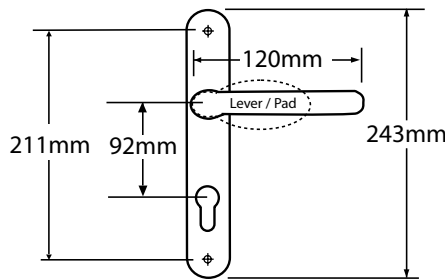
**Features**

- The unsprung levers and moveable pad are fully reversible.
- Fixing lugs are supplied on both back plates.
- Handles to suit FUHR, AGB, ASGARD, KFV, MACO, WINKHAUS, GU, LOCKMASTER & MILA.

**Associated Products**

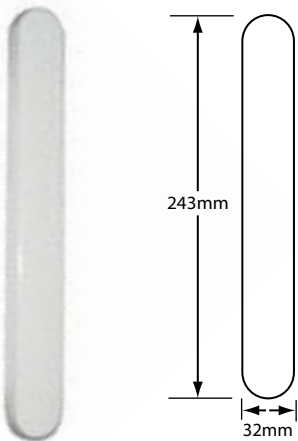
HOPPE Lever / Pad Fixing Plate  
L16401 Lever Pad Fixing Plate

GU Half Spindle  
L15382 54mm  
L15383 74mm  
L15384 64mm



Product Code	Centres	Finish	Screw Centres	Spindle	Mfr Ref.
L18431	92mm	White	211mm	8mm	1A100

FAB & FIX Ashford Blank Plate UPVC Furniture



**Features**

- Fixed lugs to both back plates
- Handles to suit FUHR, AGB, ASGARD, KFV, MACO, ROTO, WINKHAUS, GU, LOCKMASTER & MILA.

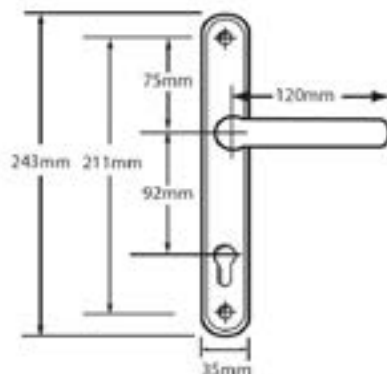
Product Code	Centres	Finish	Screw Centres	Mfr Ref.
L18423	92mm	White	211mm	1A250

## FAB &amp; FIX Balmoral 92PZ Lever/Lever UPVC Furniture



## Features

- Non handed levers.
- Fixed handles on back plates.
- Fixed lugs to both back plates
- Fixed spring cassette.
- Handles to suit FUHR, AGB, ASGARD, KfV, MACO, ROTO, WINKHAUS, GU, LOCKMASTER & MILA.



Product Code	Centres	Finish	Screw Centres	Spindle	Mfr Ref.
L18430	92mm	Polished Brass	211mm	8mm	1D005
L18429	92mm	Chrome Plated	211mm	8mm	1D001
L18428	92mm	Silver	211mm	8mm	1D002

## FAB &amp; FIX Balmoral 92PZ Lever/Lever UPVC Furniture - 265mm Fixings

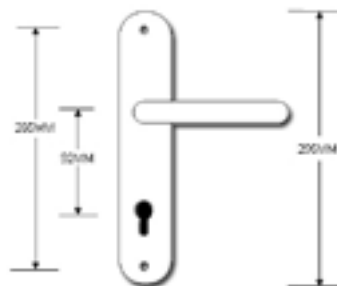


## Features

- Fixed spring cassette.
- Handles to suit FUHR, AGB, ASGARD, KfV, MACO, ROTO, WINKHAUS, GU, LOCKMASTER & MILA
- Non handed levers.
- Fixed handles on back plates.
- Fixed lugs to both back plates

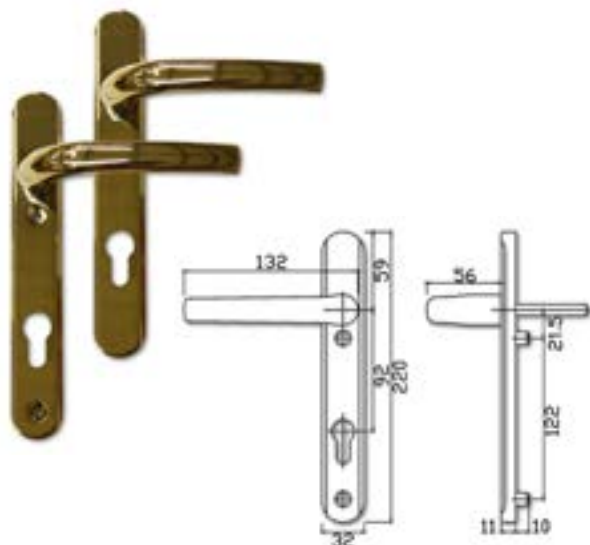
## Overview

A set of long faced fixed lug UPVC Balmoral Lever/lever handles with 92mm Centres, 265mm screw centres and 295mm faceplate.



Product Code	Centres	Finish	Screw Centres	Spindle	Mfr Ref.
L22581	92mm	White	265mm	8mm	IP000

Greenteq Alpha 92 Lever/Lever UPVC Furniture - 220mm Backplate



Features

- M6 screws for added strength
- Unsprung to fit standard 92PZ lift/lever locks
- Up to 72mm door thickness
- Flange around cylinder hole for gap elimination & security
- Non-handed

Overview

The Greenteq Alpha range of unsprung lever/lever UPVC handles with 92mm centres and a 220mm back plate is available in a range of stylish finishes.

Product Code	Centres	Finish	Spindle	Screw Centres	Mfr Ref.
L25266	92mm	White	8mm	122mm	2QHB0001
L25267	92mm	Gold	8mm	122mm	2QHB0005
L25268	92mm	Chrome Polish	8mm	122mm	2QHB0006

Greenteq Alpha 92 Lever/Lever UPVC Furniture - 250mm Backplate



Features

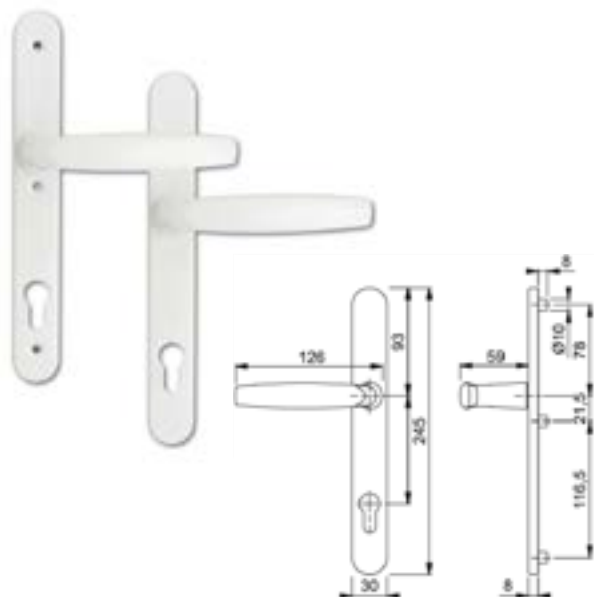
- Sprung to fit Lockmaster, Yale YS170 and Mantis 3
- Up to 72mm door thickness
- Flange around cylinder hole for gap elimination & security
- M6 screws for added strength
- Non-handed

Overview

The Greenteq Alpha range of unsprung lever/lever UPVC handles with 92mm centres and a 250mm back plate is available in a range of stylish finishes.

Product Code	Centres	Spindle	Finish	Mfr Ref.	Screw Centres
L25269	92mm	8mm	White	2QHB0121	215mm
L25270	92mm	8mm	Gold	2QHB0125	215mm
L25271	92mm	8mm	Chrome Polish	2QHB0126	215mm

## HOPPE Atlanta 92PZ 3 Hole Fix 1530/3346 UPVC Furniture



### Features

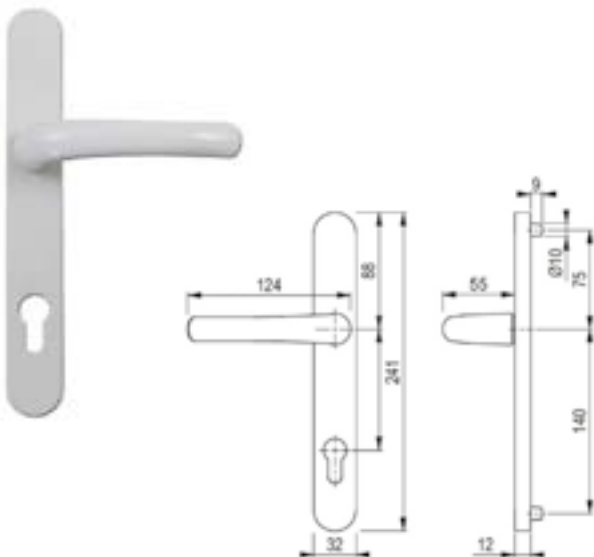
- Conforms to EN 1906: 26-0130U standards
- 92mm centres
- Aluminium reversible handle set
- Euro profile
- Door thickness: 67-72mm
- Spindle size: 8mm

### Overview

The Hoppe Atlanta series of cast aluminium door furniture have been specially designed to suit UPVC multipoint locks with 92mm centres. This product has a narrow backplate, an 8mm spindle and is suitable for profile doors with a thickness ranging from 67mm to 72mm.

Product Code	Centres	Finish	Screw Centres	Spindle	Mfr Ref.
L24038	92mm	Black	Top to Middle 99.5mm, Middle to Bottom 116.5mm	8mm	2353336
L24035	92mm	Gold		8mm	2353310
L24036	92mm	Silver		8mm	2353299
L24037	92mm	White		8mm	2353328

## HOPPE Atlanta UPVC Lever Door Furniture

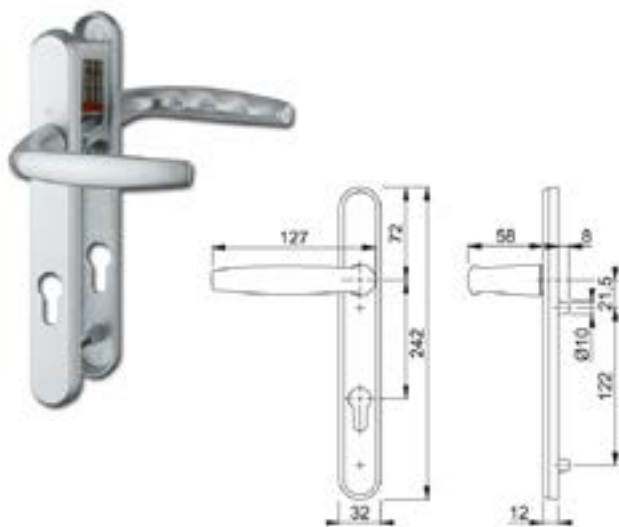


### Features

- Supplied complete with 8mm spindle & fixing screws
- Non handed
- Handles to suit FUHR, AGB, ASGARD, KFV, MACO, ROTO, WINKHAUS, GU, LOCKMASTER & MILA

Product Code	Centres	Finish	Screw Centres	Spindle
L17399	92mm	Silver	215mm	8mm
L17400	92mm	White	215mm	8mm
L26942	92mm	Gold	215mm	8mm
L26943	92mm	Black	215mm	8mm

HOPPE Atlanta UPVC Lever Door Furniture



Features

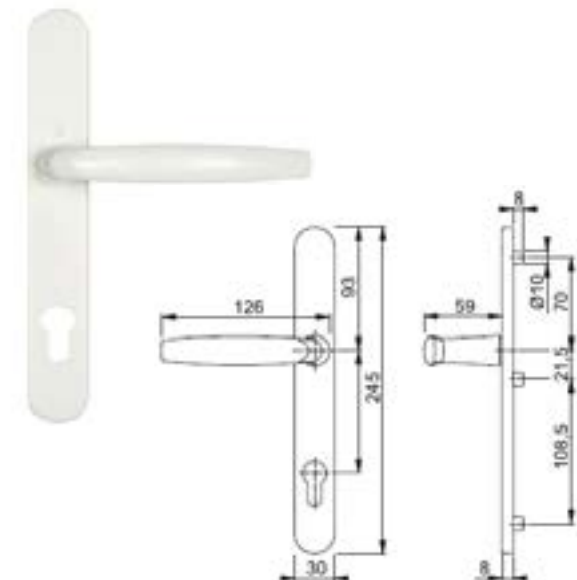
- Supplied with spring cassettes and spindle
- Reversible handing
- Set on a narrow backplate for profile doors
- Maintenance-free slide bearing
- Bolt through M5 fixings
- Door thickness: 65-70mm

Overview

The Hoppe Atlanta series of cast aluminium door furniture have been specially designed to suit UPVC multipoint locks with 92mm centres. This product has a narrow backplate, is supplied with spring cassettes and an 8mm spindle and is suitable for profile doors with a thickness ranging from 65mm to 70mm.

Product Code	Centres	Finish	Screw Centres	Spindle
L26954	92mm	White	122mm	8mm
L26955	92mm	Gold	122mm	8mm
L26956	92mm	Silver	122mm	8mm
L26957	92mm	Black	122mm	8mm

HOPPE Atlanta UPVC Lever Door Furniture



Features

- Supplied with spring cassettes and spindle
- Reversible handing
- Set on a narrow backplate for profile doors
- Maintenance-free slide bearing
- Bolt through M5 fixings
- Door thickness: 65-70mm

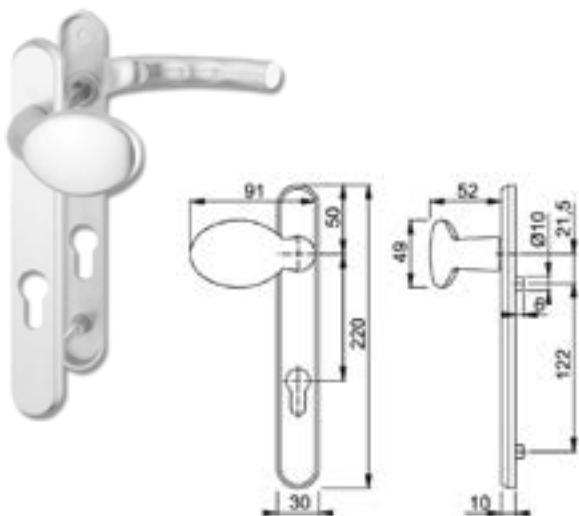
Overview

The Hoppe Atlanta series of cast aluminium door furniture have been specially designed to suit UPVC multipoint locks with 92mm centres. This product has a narrow backplate, an 8mm spindle and is suitable for profile doors with a thickness ranging from 67mm to 72mm.

Product Code	Centres	Finish	Screw Centres	Spindle
L26960	92mm	White	200mm	8mm
L26961	92mm	Gold	200mm	8mm
L26962	92mm	Silver	200mm	8mm
L26963	92mm	Black	200mm	8mm



## HOPPE Atlanta UPVC Lever / Moveable Pad Door Furniture



### Features

- The unsprung lever and moveable pad are fixed to the back plates and by design are fully reversible
- Fixing lugs are supplied on both back plates ( 2 on each) for a more secure fix
- Handles to suit FUHR, AGB, ASGARD, KFV, MACO, ROTO, WINKHAUS, GU, FERCO & PADDOCK.

### Associated Products

#### HOPPE Lever / Pad Fixing Plate

L16401 Lever Pad Fixing Plate

#### GU Half Spindle

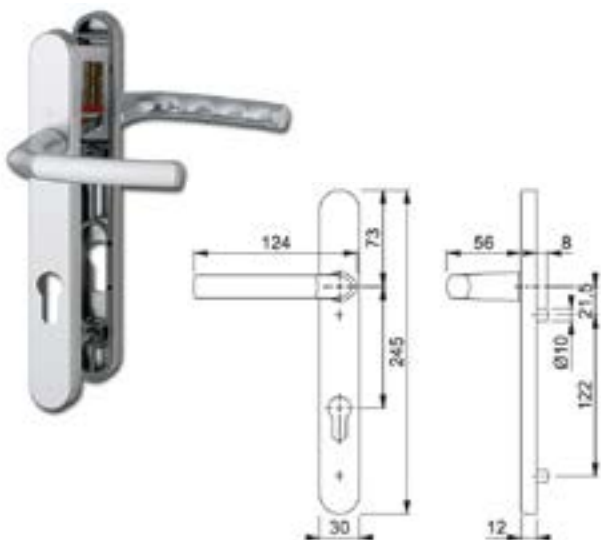
L15382 54mm

L15383 74mm

L15384 64mm

Product Code	Centres	Finish	Screw Centres	Spindle
L15780	92mm	Gold	122mm	8mm
L15779	92mm	Silver	122mm	8mm
L15781	92mm	White	122mm	8mm
L26958	92mm	Black	122mm	8mm

## HOPPE Birmingham UPVC Lever Door Furniture



### Features

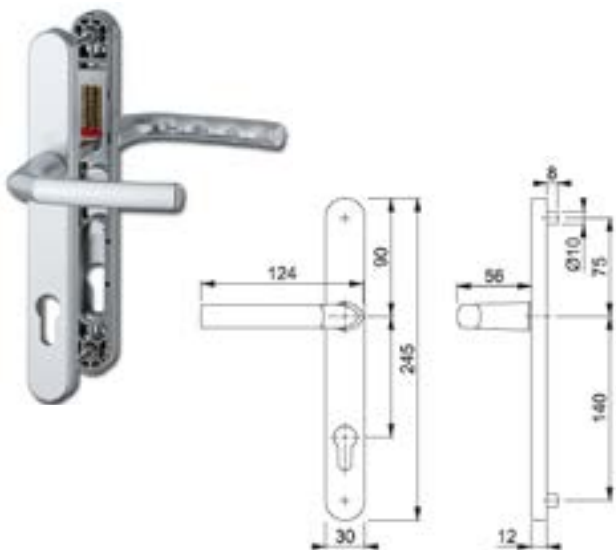
- Category of use grade 2 to DIN EN 1906
- Stainless steel base with nylon fixing lugs
- Very high corrosion resistance (EN 1670, grade 4)
- Set on a narrow backplate for profile doors
- 122mm screw fixing centers
- Bolt through M5 fixings

### Overview

The Hoppe Birmingham 1117/3811N is an aluminium handle on narrow backplate set for profile doors which is tested to DIN EN 1906: 26-0040A (Category of use grade 2) with 122mm screw fixing centers. It has very high corrosion resistance (EN 1670, grade 4), maintenance-free slide bearings, a stainless steel base with nylon fixing lugs, M5 bolt through fixings and comes complete with fixings, cover caps for screw heads, spring cassettes and spindle.

Product Code	Centres	Finish	Screw Centres	Spindle
L26964	92mm	White	122mm	8mm
L26965	92mm	Chrome Plated	122mm	8mm
L26966	92mm	Gold	122mm	8mm
L26967	92mm	Silver	122mm	8mm
L26968	92mm	Black	122mm	8mm

## HOPPE Birmingham UPVC Lever Door Furniture



### Features

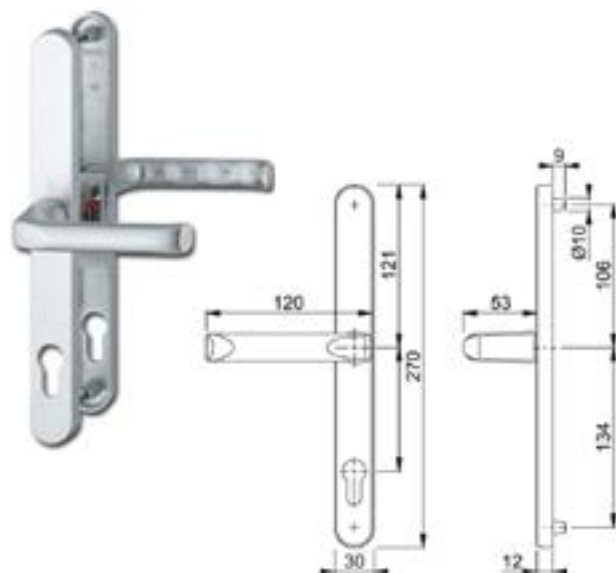
- Category of use grade 2 to DIN EN 1906
- Stainless steel base with nylon fixing lugs
- Very high corrosion resistance (EN 1670, grade 4)
- Set on a narrow backplate for profile doors
- 215mm screw fixing centers
- Bolt through M5 fixings

### Overview

The Hoppe Birmingham 1117/3810N is an aluminium handle on narrow backplate set for profile doors which is tested to DIN EN 1906: 26-0040A (Category of use grade 2) with 215mm screw fixing centers. It has very high corrosion resistance (EN 1670, grade 4), maintenance-free slide bearings, a stainless steel base with nylon fixing lugs, M5 bolt through fixings and comes complete with fixings, cover caps for screw heads, spring cassettes and spindle.

Product Code	Centres	Finish	Screw Centres	Spindle
L26969	92mm	White	215mm	8mm
L26970	92mm	Chrome Plated	215mm	8mm
L26971	92mm	Gold	215mm	8mm
L26972	92mm	Silver	215mm	8mm
L26973	92mm	Black	215mm	8mm

## HOPPE London UPVC Lever Door Furniture



### Features

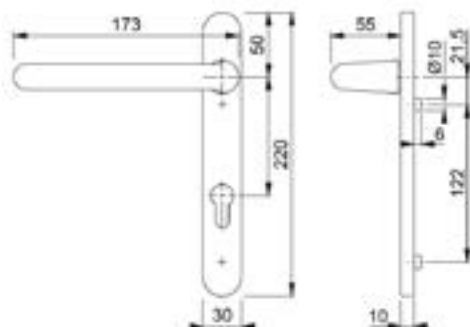
- Supplied with Spring Cassette, 8mm Spindle and fixing screws.
- Non handed.
- Handles to suit FUHR, AGB, ASGARD, KFV, MACO, ROTO, WINKHAUS, GU, LOCKMASTER (SPRUNG) MILA, YALE G712 & YALE G2000

Product Code	Centres	Finish	Screw Centres	Spindle
L13093	92mm	Gold	240mm	8mm
L13094	92mm	White	240mm	8mm
L26951	92mm	Silver	240mm	8mm
L26952	92mm	Black	240mm	8mm

## HOPPE Paris UPVC Lever Door Furniture



92



## Features

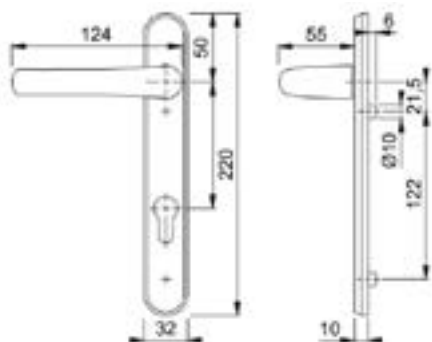
- Non Handed.
- Supplied with Spindle and fixing screws.
- Handles to suit FUHR, AGB, ASGARD, KFV, MACO, WINKHAUS, GU, LOCKMASTER & MILA.

Product Code	Centres	Finish	Screw Centres	Spindle
L17394	92mm	Gold	122mm	8mm
L17395	92mm	White	122mm	8mm
L26953	92mm	Silver	122mm	8mm

## HOPPE Tokyo UPVC Lever Door Furniture



92



## Features

- Supplied with spindle
- Reversible handing
- Set on a narrow backplate, ideal for French doors
- Maintenance-free slide bearing
- Bolt through M6 fixings

## Overview

The Hoppe Tokyo 1710RH/3370N/3360N is an aluminium handle set on a narrow backplate ideally suited for use on for profile doors with 92mm centers and 122mm fixing screw centers. It has a maintenance-free slide bearing, bolt through M6 fixings and a euro profile cut out.

Product Code	Centres	Finish	Screw Centres	Spindle
L26974	92mm	Gold	122mm	8mm
L26975	92mm	Silver	122mm	8mm
L26976	92mm	White	122mm	8mm
L26977	92mm	Black	122mm	8mm

## HOPPE Tokyo UPVC Lever / Moveable Pad Door Furniture



### Features

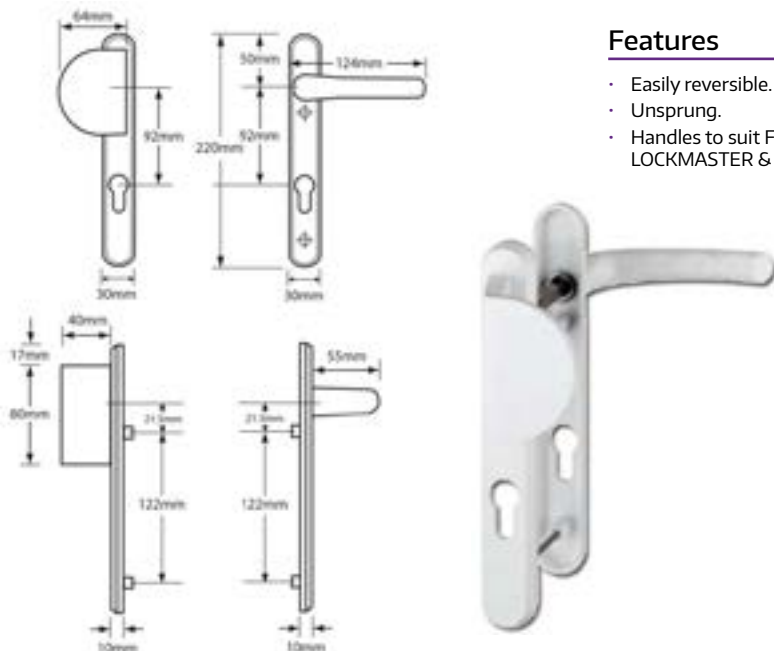
- Supplied with spring cassettes and spindle
- Reversible handing
- Set on a narrow backplate for profile doors
- Maintenance-free slide bearing
- Cover caps for screw heads
- Fire-retardant security knob (pad) 61G / handle set

### Overview

The Hoppe Tokyo 76G/3633N/3623N/1710 is an aluminium euro pad / handle set on a narrow backplate for profile doors. It has a fire-retardant security knob (pad) 61G / handle set with a maintenance-free slide bearing, bolt through M5 fixings and cover caps for the screw heads.

Product Code	Centres	Finish	Screw Centres	Spindle
L26944	92mm	White	215mm	8mm
L26945	92mm	Gold	215mm	8mm

## HOPPE Tokyo UPVC Lever / Fixed Pad Door Furniture

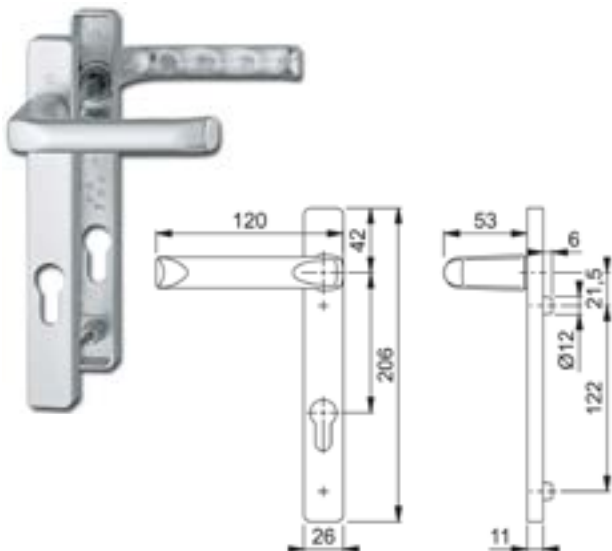


### Features

- Easily reversible.
- Unsprung.
- Handles to suit FUHR, AGB, ASGARD, KFV, MACO, WINKHAUS, GU, LOCKMASTER & MILA.

Product Code	Centres	Finish	Screw Centres	Spindle
L17466	92mm	Silver	122mm	8mm
L17467	92mm	White	122mm	8mm
L17468	92mm	Gold	122mm	8mm

## HOPPE UPVC Lever Door Furniture 113P/366M



## Features

- Non Handed.
- Supplied with Spindle and fixing screws.
- The unsprung levers are fixed to the back plates and by design are fully reversible
- Fixing lugs are supplied on both back plates ( 2 on each) for a more secure fix
- Handles to suit FUHR, AGB, ASGARD, KFV, MACO, WINKHAUS, GU, LOCKMASTER & MILA.

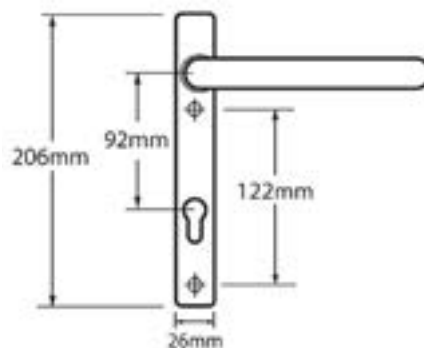
Product Code	Centres	Finish	Screw Centres	Spindle
L13079	92mm	Gold	122mm	8mm
L13078	92mm	Silver	122mm	8mm
L13080	92mm	White	122mm	8mm
L26959	92mm	Black	122mm	8mm

## HOPPE UPVC Lever Door Furniture 137/366M



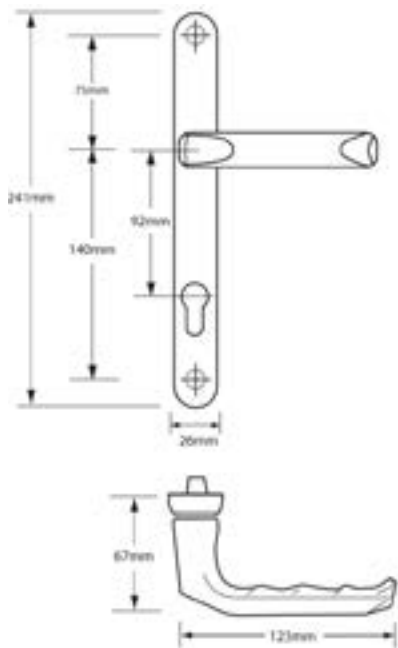
## Features

- Non Handed.
- Supplied with Spindle and fixing screws.
- The unsprung levers are fixed to the back plates and are fully reversible
- Handles to suit FUHR, AGB, ASGARD, KFV, MACO, WINKHAUS, GU, LOCKMASTER ( SPRUNG) MILA



Product Code	Centres	Finish	Screw Centres	Spindle	Mfr Ref.
L13103	92mm	Gold	122mm	8mm	137/366M F3
L13104	92mm	White	122mm	8mm	137/366M

HOPPE UPVC Lever Door Furniture 1710/3623N

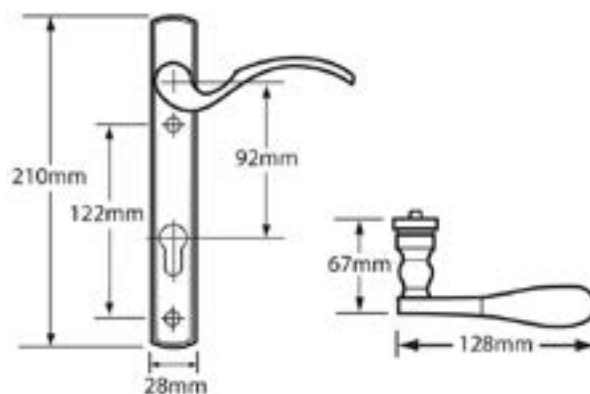


Features

- Supplied with Spring Cassette, 8mm Spindle and fixing screws.
- Non handed.
- Handles to suit FUHR, AGB, ASGARD, KFV, MACO, ROTO, WINKHAUS, GU, LOCKMASTER (SPRUNG) & MILA.

Product Code	Centres	Finish	Screw Centres	Spindle	Mfr Ref.
L15457	92mm	Gold	215mm	8mm	11714793
L15456	92mm	Silver	215mm	8mm	1714881
L15458	92mm	White	215mm	8mm	1714937

HOPPE UPVC Lever Door Furniture M112PL/366

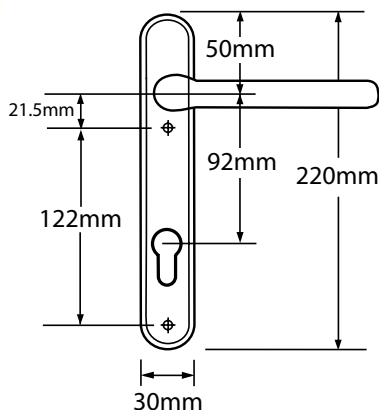
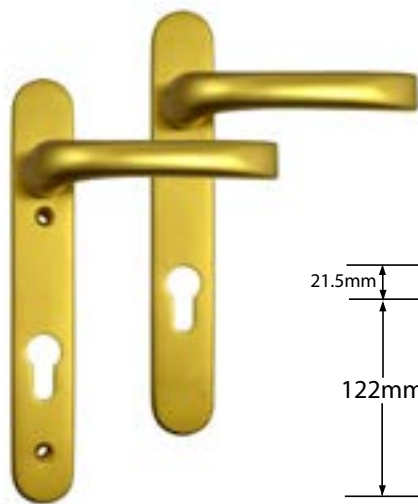


Features

- Supplied with Spindle and fixing screws.
- The unsprung levers are fixed to the back plates and by design are handed
- Handles to suit FUHR, AGB, ASGARD, KFV, MACO, WINKHAUS, GU, LOCKMASTER & MILA.

Product Code	Centres	Finish	Screw Centres	Spindle	Mfr Ref.	Handed
L13106	92mm	Polished Brass	122mm	8mm	M112PL/366LH	Left Handed
L13105	92mm	Polished Brass	122mm	8mm	M112PL/366RH	Right Handed

## MILA Prolinea 92 Lever/Lever UPVC Furniture - 220mm Backplate

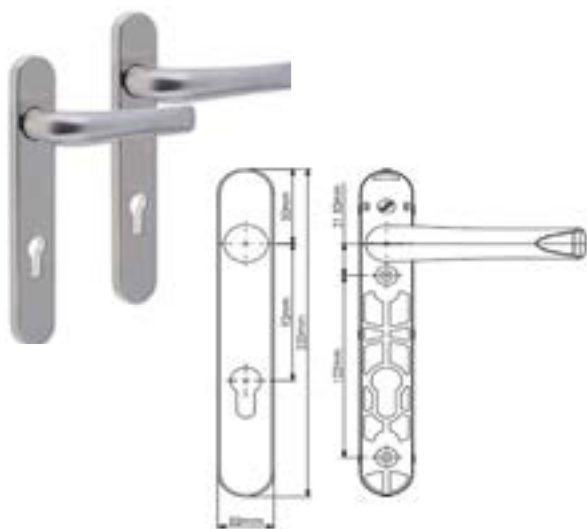


### Features

- Unsprung Levers
- Non Handed
- Handles to suit FUHR, AGB, ASGARD, KFV, MACO, WINKHAUS, GU, LOCKMASTER & MILA.

Product Code	Centres	Finish	Screw Centres	Spindle	Mfr Ref.
L18452	92mm	Chrome Plated	122mm	8mm	50301
L18451	92mm	Gold	122mm	8mm	50303
L18450	92mm	White	122mm	8mm	50308

## MILA Supa 92 Lever/Lever - 220mm Backplate



### Features

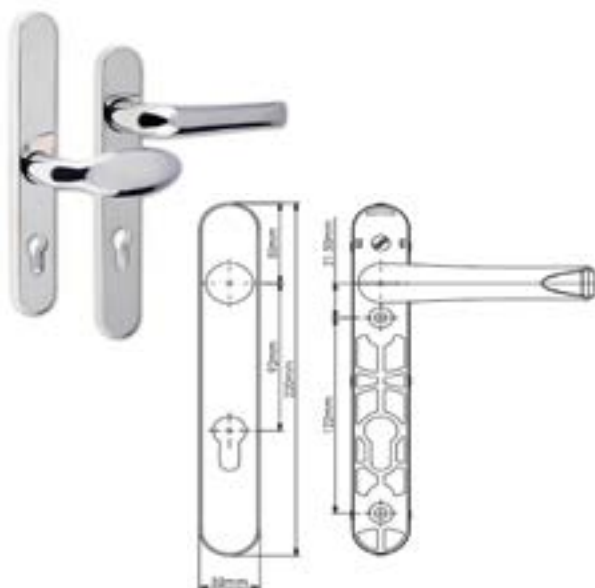
- Non handed
- Supplied complete with screws and spindles
- Superior stainless steel finish, ideal for coastal or highly polluted areas
- Suitable for UPVC, aluminium, composite and timber doors

### Overview

The Mila Supa range of superior grade stainless steel hardware offers exceptional strength and corrosion resistance. This lever/lever door handle with 92mm centres and a 220mm backplate is designed to fit most multi-point door locks fitted with a Euro-cylinder. Available in two stylish finishes, these handles are recommended for areas where corrosion is a concern, such as highly polluted or coastal areas. For added peace of mind, these handles come with a 25 year surface finish guarantee.

Product Code	Centres	Finish	Spindle	Screw Centres	Mfr Ref.
L24920	92mm	Polished Stainless Steel	8mm	190mm	571301
L24921	92mm	Brushed Stainless Steel	8mm	190mm	571302

MILA Supa 92 Lever/Pad - 220mm Backplate



Features

- Non handed
- Supplied complete with screws and spindles
- Superior stainless steel finish, ideal for coastal or highly polluted areas
- Suitable for UPVC, aluminium, composite and timber doors

Overview

The Mila Supa range of superior grade stainless steel hardware offers exceptional strength and corrosion resistance. This lever/pad door handle with 92mm centres and a 220mm backplate is designed to fit most multi-point door locks fitted with a Euro-cylinder. Available in two stylish finishes, these handles are recommended for areas where corrosion is a concern, such as highly polluted or coastal areas. For added peace of mind, these handles come with a 25 year surface finish guarantee.

Product Code	Centres	Finish	Spindle	Screw Centres	Mfr Ref.
L24922	92mm	Polished Stainless Steel	8mm	190mm	571311
L24923	92mm	Brushed Stainless Steel	8mm	190mm	571312

MILA Supa 92 Lever/Lever - 240mm Backplate



Features

- Non handed
- Supplied complete with screws and spindles
- Superior stainless steel finish, ideal for coastal or highly polluted areas
- Suitable for UPVC, aluminium, composite and timber doors

Overview

The Mila Supa range of superior grade stainless steel hardware offers exceptional strength and corrosion resistance. This lever/lever door handle with 92mm centres and a 240mm backplate is designed to fit most multi-point door locks fitted with a Euro-cylinder. Available in two stylish finishes, these handles are recommended for areas where corrosion is a concern, such as highly polluted or coastal areas. For added peace of mind, these handles come with a 25 year surface finish guarantee.

Product Code	Centres	Finish	Spindle	Screw Centres	Mfr Ref.
L24924	92mm	Polished Stainless Steel	8mm	210mm	571402
L24925	92mm	Brushed Stainless Steel	8mm	210mm	571404



## MILA Supa 92 Lever/Pad - 240mm Backplate



### Features

- Non handed
- Supplied complete with screws and spindles
- Superior stainless steel finish, ideal for coastal or highly polluted areas
- Suitable for UPVC, aluminium, composite and timber doors

### Overview

The Mila Supa range of superior grade stainless steel hardware offers exceptional strength and corrosion resistance. This lever/pad door handle with 92mm centres and a 240mm backplate is designed to fit most multi-point door locks fitted with a Euro-cylinder. Available in two stylish finishes, these handles are recommended for areas where corrosion is a concern, such as highly polluted or coastal areas. For added peace of mind, these handles come with a 25 year surface finish guarantee.

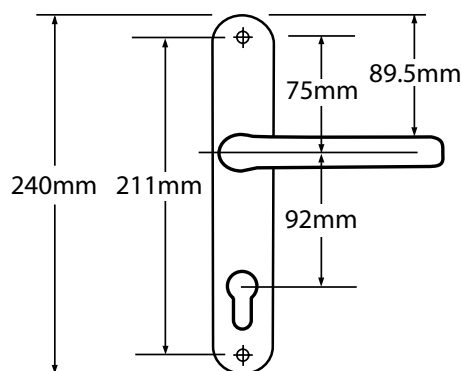
Product Code	Centres	Finish	Spindle	Screw Centres	Mfr Ref.
L24926	92mm	Polished Stainless Steel	8mm	210mm	571431
L24927	92mm	Brushed Stainless Steel	8mm	210mm	571432

## MILA Prolinea 92 Lever/Lever UPVC Furniture - 240mm Backplate



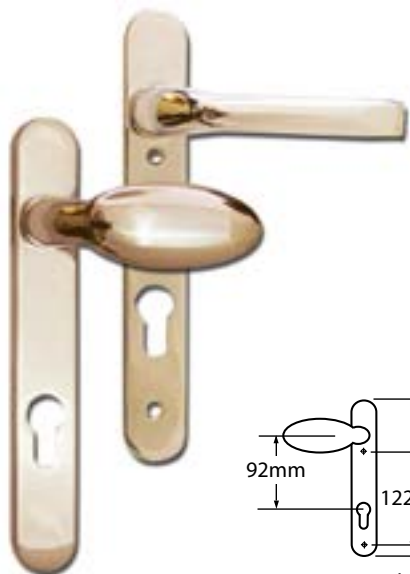
### Features

- Non handed levers
- Fixed handles on back plates
- Fixed spring cassette
- Handles to suit FUHR, AGB, ASGARD, KFV, MACO, ROTO, WINKHAUS, GU, LOCKMASTER & MILA.



Product Code	Centres	Finish	Screw Centres	Spindle	Mfr Ref.
L18449	92mm	Chrome Plated	211mm	8mm	D50421
L18455	92mm	Gold	211mm	8mm	D50423
L18448	92mm	White	211mm	8mm	D50428

MILA Prolinea 92 Lever/Pad UPVC Furniture - 220mm Backplate



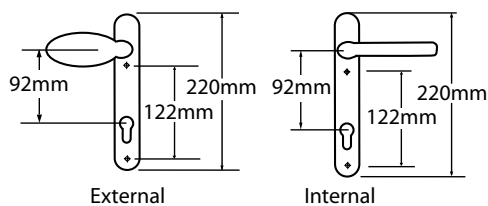
Features

- The sprung levers and moveable pad are fully reversible.
- Fixing lugs are supplied on both back plates.
- Handles to suit FUHR, AGB, ASGARD, KFV, MACO, WINKHAUS, GU, LOCKMASTER & MILA.

Associated Products

HOPPE Lever / Pad Fixing Plate  
L16401 Lever Pad Fixing Plate

GU Half Spindle  
L15382 54mm  
L15383 74mm  
L15384 64mm



Product Code	Centres	Finish	Screw Centres	Spindle	Mfr Ref.
L18447	92mm	Chrome Plated	122mm	8mm	50311
L18456	92mm	Gold	122mm	8mm	50313
L18446	92mm	White	122mm	8mm	50318

SIENNA 92 Lever/Lever UPVC Furniture

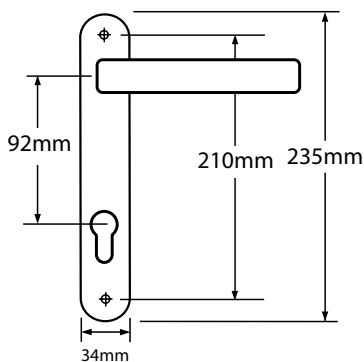


Features

- Non handed levers.
- Fixed handles on back plates.
- Used with Gridlock multi-point lock.

Associated Products

SIENNA 85 Lever/Lever UPVC Furniture  
L18459 Brass



Product Code	Centres	Finish	Screw Centres	Spindle	Mfr Ref.
L18458	92mm	Chrome Plated	210mm	8mm	1FH12-42CP

## WINKHAUS Palladio XL 92 Lever/Lever UPVC Furniture

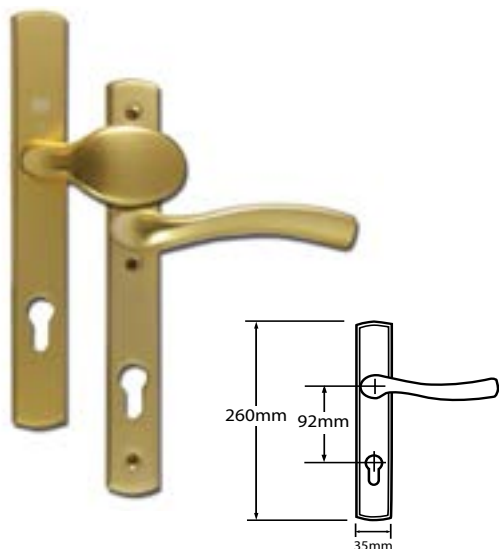


### Features

- Unsprung levers.
- Non handed quick fit levers.
- Fixed lugs to both back plates.

Product Code	Centres	Finish	Screw Centres	Spindle	Mfr Ref.
L18467	92mm	Gold	214mm	8mm	4978024
L18466	92mm	Silver	214mm	8mm	4978022

## WINKHAUS Palladio XL 92 Lever/Pad UPVC Furniture



### Features

- Handed.
- Supplied with 2 screw and spindle sets to suit different door thicknesses.

### Associated Products

**HOPPE Lever / Pad Fixing Plate**  
L16401 Lever Pad Fixing Plate

**GU Half Spindle**  
L15382 54mm  
L15383 74mm  
L15384 64mm

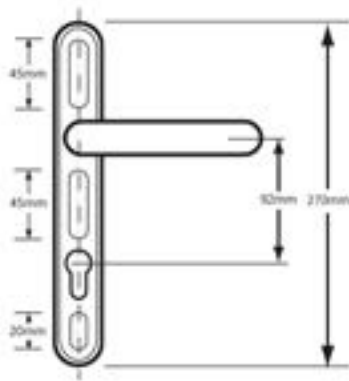
Product Code	Centres	Finish	Screw Centres	Spindle	Mfr Ref.	Handed
L18464	92mm	Gold	214mm	8mm	2835909	Left Hand
L18463	92mm	Silver	214mm	8mm	2835917	Left Hand
L18462	92mm	White	214mm	8mm	2835896	Left Hand
L18461	92mm	Gold	214mm	8mm	2835845	Right Hand
L18460	92mm	Silver	214mm	8mm	2835853	Right Hand
L18468	92mm	White	214mm	8mm	2835837	Right Hand

YALE UPVC Lever Door Furniture - Retro



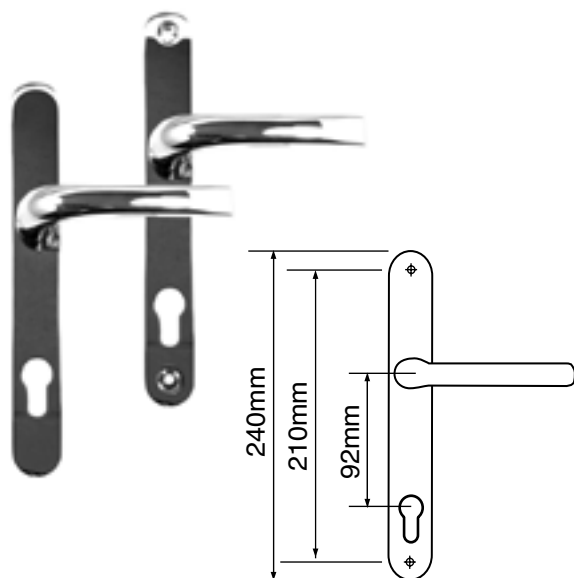
Features

- Replacement door handle for doors fitted with a multipoint lock with 92mm lock centres.
- Can be used on PVC, composite and wooden doors.
- Multiple fixing hole positions to cover most brands of locks.



Product Code	Centres	Finish	Screw Centres	Spindle
L17790	92mm	Gold	Adj.	8mm
L17789	92mm	Polished Chrome	Adj.	8mm
L17788	92mm	White	Adj.	8mm

### ASEC 92/62 Offset Lever/Lever UPVC Furniture - 240mm Backplate



#### Features

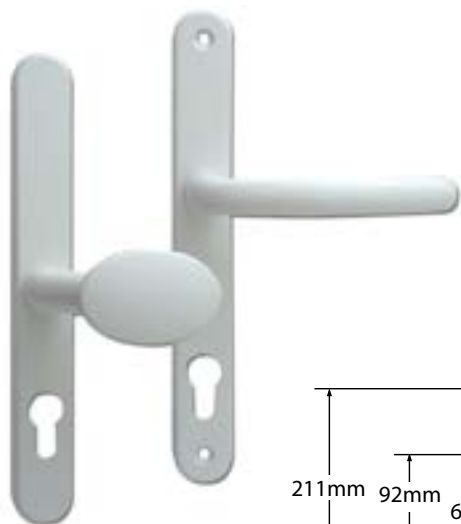
- Supplied complete with spring cassettes & spindle
- Non-handed
- 240mm Backplate
- 92/62mm Centres

#### Overview

Stylish non-handed UPVC door furniture with a 240mm backplate and 92/62 centres. This product is supplied complete with spring cassettes and a spindle.

Product Code	Centres	Finish	Screw Centres	Spindle	Mfr Ref.
AS10496	92/62mm	Chrome Plated	210mm	8mm	AS10496

### FAB & FIX 92/62PZ Offset Lever/Pad UPVC Furniture - Ashford



#### Features

- Non Handed.
- Sprung Levers.
- Supplied with Spring Cassettes and Spindle.
- Handles to suit ASGARD, ROTO, LOCKMASTER, AVOCET & FAB&FIX.

#### Associated Products

**HOPPE Lever / Pad Fixing Plate**  
L16401 Lever Pad Fixing Plate

**GU Half Spindle**  
L15382 54mm  
L15383 74mm  
L15384 64mm

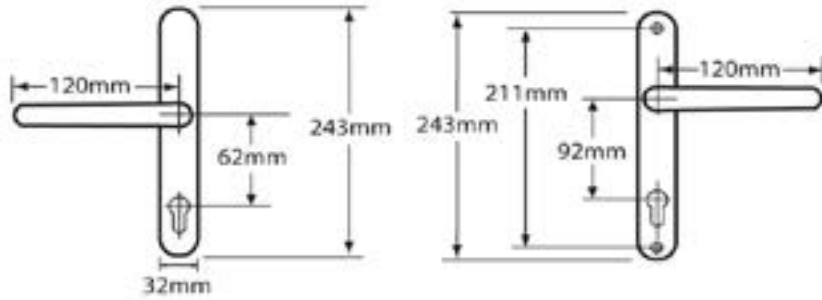
Product Code	Centres	Finish	Screw Centres	Spindle	Mfr Ref.
L18432	92/62mm	White	211mm	8mm	1A150

FAB & FIX Ashford 92/62PZ Offset Lever/Lever  
UPVC Furniture



Features

- Non handed levers.
- Fixed handles on back plates.
- Fixed spring cassette.
- Handles to suit FUHR, AGB, ASGARD, KFV, MACO, ROTO, WINKHAUS, GU, LOCKMASTER & MILA.



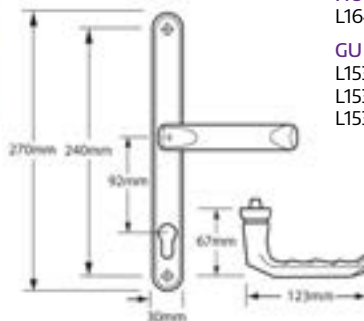
Product Code	Centres	Finish	Screw Centres	Spindle	Mfr Ref.
L18422	92/62mm	White	211mm	8mm	1A050

HOPPE London UPVC Lever / Moveable Pad Door  
Furniture



Features

- Non Handed.
- Supplied with Spring Cassettes and Spindle.
- The sprung lever and pad are fixed to the back plates and by design are fully reversible
- Fixing lugs are supplied on both back plates ( 2 on each) for a more secure fix
- Handles to suit ASGARD, LOCKMASTER, AVOCET, ROTO & FAB&FIX.



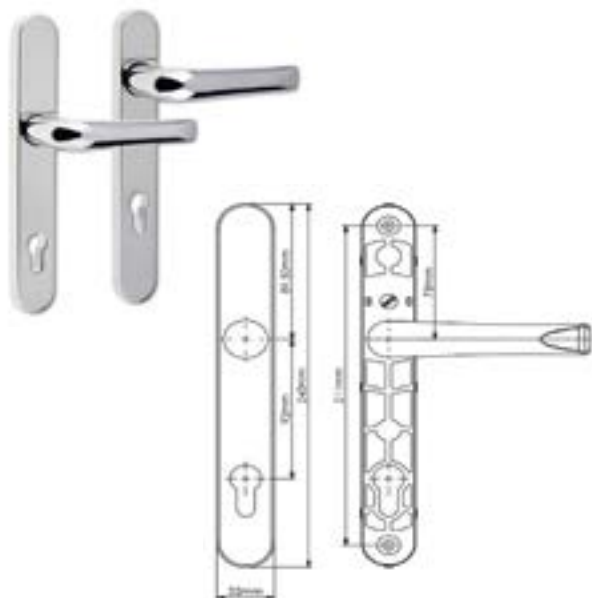
Associated Products

HOPPE Lever / Pad Fixing Plate  
L16401 Lever Pad Fixing Plate

GU Half Spindle  
L15382 54mm  
L15383 74mm  
L15384 64mm

Product Code	Centres	Finish	Screw Centres	Spindle
L13095	92/62mm	Gold	240mm	8mm
L13096	92/62mm	White	240mm	8mm
L26950	92/62mm	Silver	240mm	8mm

## MILA Supa 92/62mm Lever/Lever - 240mm Backplate



### Features

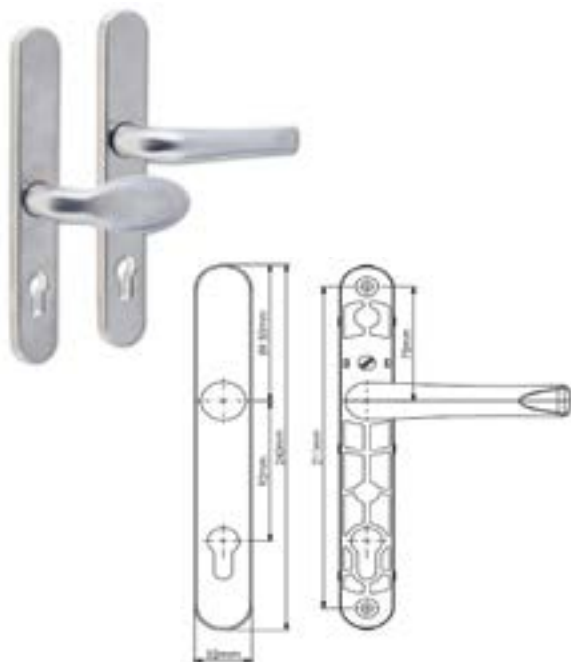
- Non handed
- Supplied complete with screws and spindles
- Superior stainless steel finish, ideal for coastal or highly polluted areas
- Suitable for UPVC, aluminium, composite and timber doors

### Overview

The Mila Supa range of superior grade stainless steel hardware offers exceptional strength and corrosion resistance. This lever/lever door handle with 92/62mm centres and a 240mm backplate is designed to fit most multi-point door locks fitted with a Euro-cylinder. Available in two stylish finishes, these handles are recommended for areas where corrosion is a concern, such as highly polluted or coastal areas. For added peace of mind, these handles come with a 25 year surface finish guarantee.

Product Code	Centres	Finish	Screw Centres	Spindle	Mfr Ref.
L24928	92/62mm	Polished Stainless Steel	211mm	8mm	571441
L24929	92/62mm	Brushed Stainless Steel	211mm	8mm	571442

## MILA Supa 92/62mm Lever/Pad - 240mm Backplate



### Features

- Non handed
- Supplied complete with screws and spindles
- Superior stainless steel finish, ideal for coastal or highly polluted areas
- Suitable for UPVC, aluminium, composite and timber doors

### Overview

The Mila Supa range of superior grade stainless steel hardware offers exceptional strength and corrosion resistance. This lever/pad door handle with 92/62mm centres and a 240mm backplate is designed to fit most multi-point door locks fitted with a Euro-cylinder. Available in two stylish finishes, these handles are recommended for areas where corrosion is a concern, such as highly polluted or coastal areas. For added peace of mind, these handles come with a 25 year surface finish guarantee.

Product Code	Centres	Finish	Screw Centres	Spindle	Mfr Ref.
L24930	92/62mm	Polished Stainless Steel	210mm	8mm	571451
L24931	92/62mm	Brushed Stainless Steel	210mm	8mm	571452

MILA Prolinea 92/62 Offset Lever/Pad UPVC Furniture - 240mm Backplate



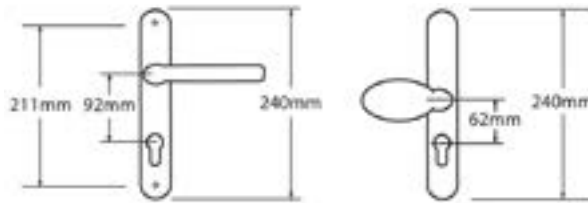
Features

- Non Handed.
- Sprung Levers.
- Supplied with Spring Cassettes and Spindle.
- Handles to suit ASGARD, ROTO, LOCKMASTER, AVOCET & FAB&FIX.

Associated Products

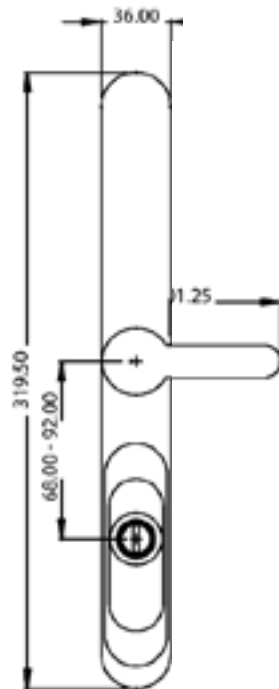
HOPPE Lever / Pad Fixing Plate  
L16401 Lever Pad Fixing Plate

GU Half Spindle  
L15382 54mm  
L15383 74mm  
L15384 64mm



Product Code	Centres	Finish	Screw Centres	Spindle	Mfr Ref.
L18445	92/62mm	Chrome Plated	211mm	8mm	50451
L18454	92/62mm	Gold	211mm	8mm	50453
L18453	92/62mm	White	211mm	8mm	50458

LIFT & LOCK UPVC Lever Door Furniture



Features

- No key required to lock the door from the inside simply lift the handle
- Non-handed - fits right and left handed doors.
- Sliding escutcheon accommodates 68-92mm centres and door thickness 45-72mm.
- Retro-fit armoured handle set for multi-point locks.
- Armoured escutcheon to shield cylinder.
- BS1906: 2002 Grade 4 Security and PAS 24 accredited.

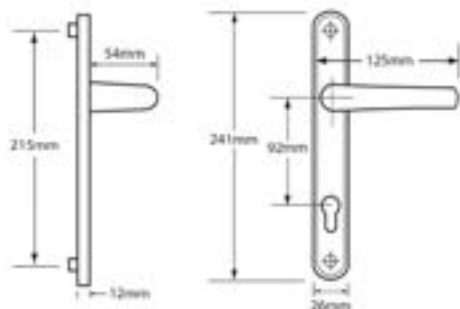
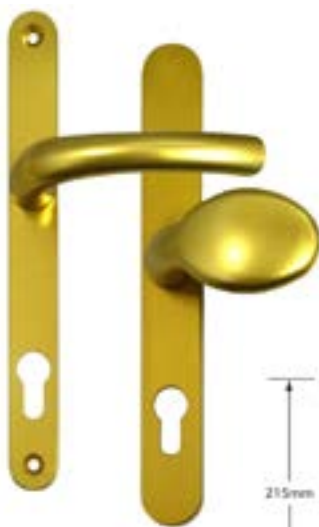
Overview

Simply lifting the handle throws the multi-point bolts and deadlocks the door in a single keyless movement.

Product Code	Centres	Finish	Screw Centres	Spindle
L16228	92/68mm	Gold	283mm	8mm



## HOPPE UPVC Lever / Moveable Pad Door Furniture 76G/3623N/1710



### Features

- Non Handed.
- Supplied with Spring Cassettes and Spindle.
- To Suit MILA.

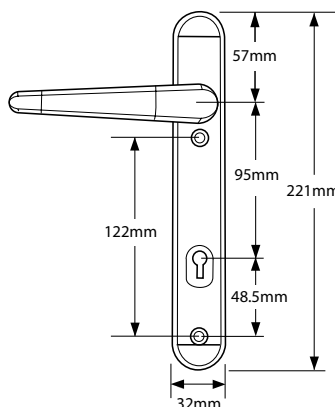
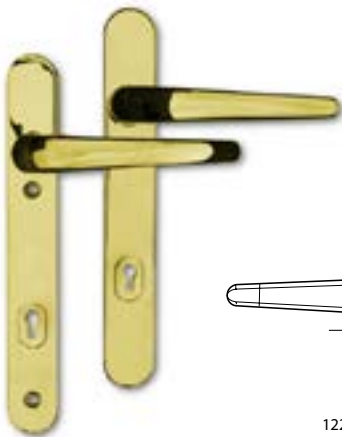
### Associated Products

**HOPPE Lever / Pad Fixing Plate**  
L16401 Lever Pad Fixing Plate

**GU Half Spindle**  
L15382 54mm  
L15383 74mm  
L15384 64mm

Product Code	Centres	Finish	Screw Centres	Spindle	Mfr Ref.
L17463	92/70mm	Gold	215mm	8mm	76G-3623N/1710
L17464	92/70mm	Silver	215mm	8mm	113/363M

## ERA Vectis Classic UPVC Lever Door Furniture 3230



### Features

- Combines integrated handles solution for the Vectis Locking system
- Unique patented integral shutter system on the external face of the handle back plate for PAS23 assurance
- High Corrosion resistance - Advanced Zircon PVD Finish
- Suites with all Icon, Classic and Regency door furniture
- Suitable for PVCu, aluminium, composite and timber doors
- Solid handle grip

### Associated Products

**ERA 6345 / 9345 Lever Operated Latch & Dead - 2 Adjustable Hooks (Timber Door)**

L22503 Takes Euro Cylinder  
L22504 Vectis 5 Lever

**ERA 6735 / 9735 Lever Operated Latch & Dead - 2 Adjustable Hooks & Rollers (UPVC Door)**

L22501 Takes Euro Cylinder  
L22502 Vectis 5 Lever

**ERA 6135 / 9135 Lever Operated Latch & Dead - 2 Adjustable Rollers & Mushrooms (UPVC Door)**

L22499 Takes Euro Cylinder  
L22500 Vectis 5 Lever

Product Code	Centres	Finish	Screw Centres	Spindle	Mfr Ref.
L20889	95mm	Chrome Plated	122mm	8mm	3230-87
L16399	95mm	PVD Gold	122mm	8mm	3230-86
L16400	95mm	White	122mm	8mm	3230-01

MILLENCO 95PZ Arizona Lever/Lever Handles

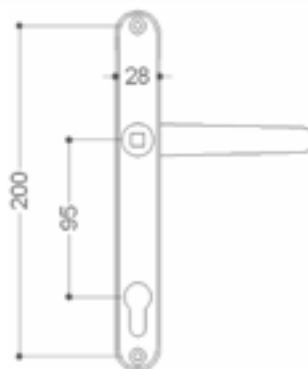


Features

- 95mm Centres
- Lever / Lever
- Set includes 2 Handles, 2 x 80mm screws & 1 x 160mm Spindle

Overview

The Milenco 95mm Centres Arizona Lever / Lever Handle set comes with two handles, two 80mm screws & a 160mm spindle. This set is to suit the Milenco Mantis 2 95PZ Lock.



Product Code	Centre	Finish	Screw Centres	Spindle	Mfr Ref.
L23580	95mm	Gold	200	8	DH 4632

MILLENCO 95PZ Arizona Lever/Pad Handles

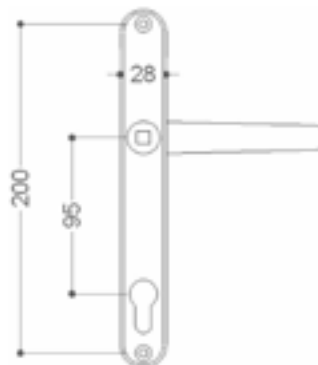


Features

- 95mm Centres
- Lever / Pad
- Set includes 2 Handles, 2 x 80mm screws & 1 x 160mm Spindle

Overview

The Milenco 95mm Centres Arizona Lever / Pad Handle set comes with two handles, two 80mm screws & a 160mm spindle. This set is to suit the Milenco Mantis 2 95PZ Lock.



Product Code	Centre	Finish	Screw Centres	Spindle
L23581	95mm	Gold	200mm	8mm

## ASEC 117 Lever/Lever UPVC Furniture - 270mm Backplate

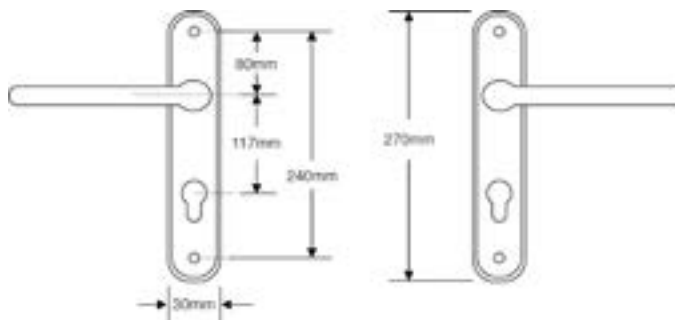


### Features

- Supplied with 8mm spindle and fixing screws.
- Non-handed
- To suit Millenco locks

### Overview

This 117mm centre furniture has been designed to replace the old furniture used on old Millenco locks with 117mm centres



Product Code	Centres	Finish	Screw Centres	Spindle
AS10196	117mm	Gold	230mm	8mm
AS10195	117mm	White	230mm	8mm

ASEC Kite Secure PAS24 2 Star 220mm Lever/Lever Door Furniture

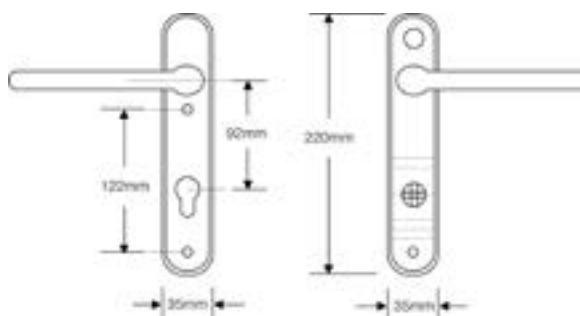


Features

- Anti-grip chamfered backplate shoulders provides mole-grip resistance
- M6 hardened Steel screws for extra strength
- Steel reinforcement technology concealed within the backplate
- Anti-drill rotating disc shields the front of the cylinder
- Anti-snap integrated cylinder guard
- 3 Star Rating if used in conjunction with the Kite Anti-snap cylinder

Overview

The Asec Kite Secure handle range combines visible security features with concealed reinforcement technology, providing ideal protection against cylinder and handle snapping.



Associated Products

ASEC Kite BS 1 Star Kitemarked Euro Key & Turn Cylinder

- AS10021 70mm - 30 / T40 PB (Visi)
- AS10022 70mm - 30 / T40 NP (Visi)
- AS10023 70mm - 40 / T30 PB (Visi)
- AS10024 70mm - 40 / T30 NP (Visi)
- AS10160 70mm - 35 / T35 NP (Visi)
- AS10161 70mm - 35 / T35 PB (Visi)
- AS10162 80mm - 40 / T40 NP (Visi)
- AS10163 80mm - 40 / T40 PB (Visi)
- AS10164 75mm - 35 / T40 NP (Visi)
- AS10165 75mm - 35 / T40 PB (Visi)
- AS10166 75mm - 40 / T35 NP (Visi)
- AS10167 75mm - 40 / T35 PB (Visi)
- AS10168 85mm - 45 / T40 NP (Visi)
- AS10169 85mm - 45 / T40 PB (Visi)
- AS10170 85mm - 40 / T45 NP (Visi)
- AS10171 85mm - 40 / T45 PB (Visi)
- AS10172 100mm - 45 / T55 NP (Visi)
- AS10173 100mm - 45 / T55 PB (Visi)

- AS10157 110mm - 45/65 PB (Visi)
- AS10126 60mm - 30/30 NP (Visi)
- AS10127 60mm - 30/30 PB (Visi)
- AS10020 70mm - 30/40 NP (Visi)
- AS10019 70mm - 30/40 PB (Visi)
- AS10128 70mm - 35/35 NP (Visi)
- AS10129 70mm - 35/35 PB (Visi)
- AS10130 75mm - 35/40 NP (Visi)
- AS10131 75mm - 35/40 PB (Visi)
- AS10132 80mm - 35/45 NP (Visi)
- AS10133 80mm - 35/45 PB (Visi)
- AS10138 80mm - 40/40 NP (Visi)
- AS10139 80mm - 40/40 PB (Visi)
- AS10134 85mm - 35/50 NP (Visi)
- AS10135 85mm - 35/50 PB (Visi)
- AS10140 85mm - 40/45 NP (Visi)
- AS10141 85mm - 40/45 PB (Visi)
- AS10136 90mm - 35/55 NP (Visi)
- AS10137 90mm - 35/55 PB (Visi)
- AS10142 90mm - 40/50 NP (Visi)
- AS10143 90mm - 40/50 PB (Visi)
- AS10148 90mm - 45/45 NP (Visi)
- AS10149 90mm - 45/45 PB (Visi)
- AS10144 95mm - 40/55 NP (Visi)
- AS10145 95mm - 40/55 PB (Visi)
- AS10150 95mm - 45/50 NP (Visi)
- AS10151 95mm - 45/50 PB (Visi)

ASEC Kite BS 1 Star Kitemarked Euro Double Cylinder

- AS10146 100mm - 40/60 NP (Visi)
- AS10147 100mm - 40/60 PB (Visi)
- AS10152 100mm - 45/55 NP (Visi)
- AS10153 100mm - 45/55 PB (Visi)
- AS10158 100mm - 50/50 NP (Visi)
- AS10159 100mm - 50/50 PB (Visi)
- AS10154 105mm - 45/60 NP (Visi)
- AS10155 105mm - 45/60 PB (Visi)
- AS10156 110mm - 45/65 NP (Visi)

Product Code	Centres	Finish	Screw Centres	Spindle	Mfr Ref.
AS10191	92mm	Polished Chrome	122mm	8mm	AS10191
AS10190	92mm	Gold	122mm	8mm	AS10190
AS10192	92mm	White	122mm	8mm	AS10192

## ASEC Kite Secure PAS24 2 Star 240mm Lever/Lever Door Furniture

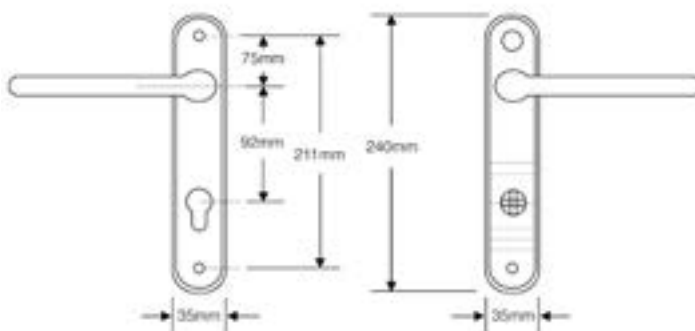


### Features

- Anti-grip chamfered backplate shoulders provides mole-grip resistance
- M6 hardened Steel screws for extra strength
- Steel reinforcement technology concealed within the backplate
- Anti-drill rotating disc shields the front of the cylinder
- Anti-snap integrated cylinder guard
- 3 Star Rating if used in conjunction with the Kite Anti-snap cylinder

### Overview

The Asec Kite Secure handle range combines visible security features with concealed reinforcement technology, providing ideal protection against cylinder and handle snapping.



### Associated Products

#### ASEC Kite BS 1 Star Kitemarked Euro Key & Turn Cylinder

AS10021	70mm - 30 / T40 PB (Visi)
AS10022	70mm - 30 / T40 NP (Visi)
AS10023	70mm - 40 / T30 PB (Visi)
AS10024	70mm - 40 / T30 NP (Visi)
AS10160	70mm - 35 / T35 NP (Visi)
AS10161	70mm - 35 / T35 PB (Visi)
AS10162	80mm - 40 / T40 NP (Visi)
AS10163	80mm - 40 / T40 PB (Visi)
AS10164	75mm - 35 / T40 NP (Visi)
AS10165	75mm - 35 / T40 PB (Visi)
AS10166	75mm - 40 / T35 NP (Visi)
AS10167	75mm - 40 / T35 PB (Visi)
AS10168	85mm - 45 / T40 NP (Visi)
AS10169	85mm - 45 / T40 PB (Visi)
AS10170	85mm - 40 / T45 NP (Visi)
AS10171	85mm - 40 / T45 PB (Visi)
AS10172	100mm - 45 / T55 NP (Visi)
AS10173	100mm - 45 / T55 PB (Visi)

#### ASEC Kite BS 1 Star Kitemarked Euro Double Cylinder

AS10146	100mm - 40/60 NP (Visi)
AS10147	100mm - 40/60 PB (Visi)
AS10152	100mm - 45/55 NP (Visi)
AS10153	100mm - 45/55 PB (Visi)
AS10158	100mm - 50/50 NP (Visi)
AS10159	100mm - 50/50 PB (Visi)
AS10154	105mm - 45/60 NP (Visi)
AS10155	105mm - 45/60 PB (Visi)
AS10156	110mm - 45/65 NP (Visi)

AS10157	110mm - 45/65 PB (Visi)
AS10126	60mm - 30/30 NP (Visi)
AS10127	60mm - 30/30 PB (Visi)
AS10020	70mm - 30/40 NP (Visi)
AS10019	70mm - 30/40 PB (Visi)
AS10128	70mm - 35/35 NP (Visi)
AS10129	70mm - 35/35 PB (Visi)
AS10130	75mm - 35/40 NP (Visi)
AS10131	75mm - 35/40 PB (Visi)
AS10132	80mm - 35/45 NP (Visi)
AS10133	80mm - 35/45 PB (Visi)
AS10138	80mm - 40/40 NP (Visi)
AS10139	80mm - 40/40 PB (Visi)
AS10134	85mm - 35/50 NP (Visi)
AS10135	85mm - 35/50 PB (Visi)
AS10140	85mm - 40/45 NP (Visi)
AS10141	85mm - 40/45 PB (Visi)
AS10136	90mm - 35/55 NP (Visi)
AS10137	90mm - 35/55 PB (Visi)
AS10142	90mm - 40/50 NP (Visi)
AS10143	90mm - 40/50 PB (Visi)
AS10148	90mm - 45/45 NP (Visi)
AS10149	90mm - 45/45 PB (Visi)
AS10144	95mm - 40/55 NP (Visi)
AS10145	95mm - 40/55 PB (Visi)
AS10150	95mm - 45/50 NP (Visi)
AS10151	95mm - 45/50 PB (Visi)

Product Code	Centres	Finish	Screw Centres	Spindle	Mfr Ref.
AS10000	92mm	Polished Chrome	211mm	8mm	AS10000
AS9999	92mm	Gold	211mm	8mm	AS9999
AS9998	92mm	White	211mm	8mm	AS9998

ASEC Kite Secure PAS24 2 Star 240mm  
Lever/Lever Door Furniture 92 62 Centres

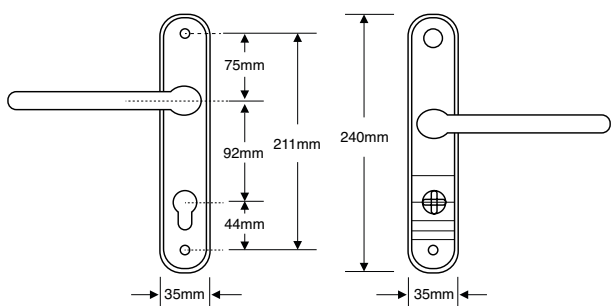


**Features**

- Anti-grip chamfered backplate shoulders provides mole-grip resistance
- M6 hardened Steel screws for extra strength
- Steel reinforcement technology concealed within the backplate
- Anti-drill rotating disc shields the front of the cylinder
- Anti-snap integrated cylinder guard
- 3 Star Rating if used in conjunction with the Kite Anti-snap cylinder

**Overview**

The Asec Kite Secure handle range combines visible security features with concealed reinforcement technology, providing ideal protection against cylinder and handle snapping. It is mounted on a 220mm high backplate, it has 92mm 62mm centres, 122mm screw centres and is suitable for a locking mechanism that takes a euro profile cylinder.



**Associated Products**

**ASEC Kite BS 1 Star Kitemarked Euro Key & Turn Cylinder**

- AS10021 70mm - 30 / T40 PB (Visi)
- AS10022 70mm - 30 / T40 NP (Visi)
- AS10023 70mm - 40 / T30 PB (Visi)
- AS10024 70mm - 40 / T30 NP (Visi)
- AS10160 70mm - 35 / T35 NP (Visi)
- AS10161 70mm - 35 / T35 PB (Visi)
- AS10162 80mm - 40 / T40 NP (Visi)
- AS10163 80mm - 40 / T40 PB (Visi)
- AS10164 75mm - 35 / T40 NP (Visi)
- AS10165 75mm - 35 / T40 PB (Visi)
- AS10166 75mm - 40 / T35 NP (Visi)
- AS10167 75mm - 40 / T35 PB (Visi)
- AS10168 85mm - 45 / T40 NP (Visi)
- AS10169 85mm - 45 / T40 PB (Visi)
- AS10170 85mm - 40 / T45 NP (Visi)
- AS10171 85mm - 40 / T45 PB (Visi)
- AS10172 100mm - 45 / T55 NP (Visi)
- AS10173 100mm - 45 / T55 PB (Visi)

**ASEC Kite BS 1 Star Kitemarked Euro Double Cylinder**

- AS10146 100mm - 40/60 NP (Visi)
- AS10147 100mm - 40/60 PB (Visi)
- AS10152 100mm - 45/55 NP (Visi)
- AS10153 100mm - 45/55 PB (Visi)
- AS10158 100mm - 50/50 NP (Visi)
- AS10159 100mm - 50/50 PB (Visi)
- AS10154 105mm - 45/60 NP (Visi)
- AS10155 105mm - 45/60 PB (Visi)
- AS10156 110mm - 45/65 NP (Visi)

- AS10157 110mm - 45/65 PB (Visi)
- AS10126 60mm - 30/30 NP (Visi)
- AS10127 60mm - 30/30 PB (Visi)
- AS10020 70mm - 30/40 NP (Visi)
- AS10019 70mm - 30/40 PB (Visi)
- AS10128 70mm - 35/35 NP (Visi)
- AS10129 70mm - 35/35 PB (Visi)
- AS10130 75mm - 35/40 NP (Visi)
- AS10131 75mm - 35/40 PB (Visi)
- AS10132 80mm - 35/45 NP (Visi)
- AS10133 80mm - 35/45 PB (Visi)
- AS10138 80mm - 40/40 NP (Visi)
- AS10139 80mm - 40/40 PB (Visi)
- AS10134 85mm - 35/50 NP (Visi)
- AS10135 85mm - 35/50 PB (Visi)
- AS10140 85mm - 40/45 NP (Visi)
- AS10141 85mm - 40/45 PB (Visi)
- AS10136 90mm - 35/55 NP (Visi)
- AS10137 90mm - 35/55 PB (Visi)
- AS10142 90mm - 40/50 NP (Visi)
- AS10143 90mm - 40/50 PB (Visi)
- AS10148 90mm - 45/45 NP (Visi)
- AS10149 90mm - 45/45 PB (Visi)
- AS10144 95mm - 40/55 NP (Visi)
- AS10145 95mm - 40/55 PB (Visi)
- AS10150 95mm - 45/50 NP (Visi)
- AS10151 95mm - 45/50 PB (Visi)

Product Code	Centres	Finish	Screw Centres	Spindle
AS10476	92/62mm	Polished Chrome	211mm	8mm
AS10477	92/62mm	Gold	211mm	8mm
AS10478	92/62mm	White	211mm	8mm

## Asec Kite Secure PAS24 2 Star 240mm Lever/Pad Door Furniture 92 62 Centres

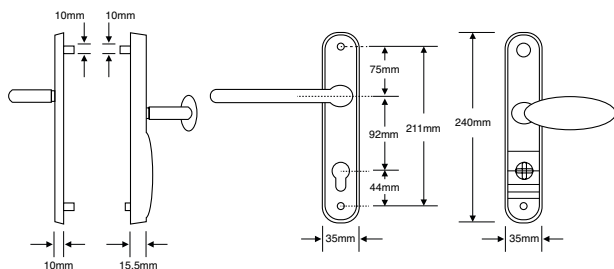


### Features

- Anti-grip chamfered backplate shoulders provides mole-grip resistance
- M6 hardened Steel screws for extra strength
- Steel reinforcement technology concealed within the backplate
- Anti-drill rotating disc shields the front of the cylinder
- Anti-snap integrated cylinder guard
- 3 Star Rating if used in conjunction with the Kite Anti-snap cylinder

### Overview

The Asec Kite Secure handle range combines visible security features with concealed reinforcement technology, providing ideal protection against cylinder and handle snapping. It is mounted on a 220mm high backplate, it has 92mm 62mm centres, 122mm screw centres and is suitable for a locking mechanism that takes a euro profile cylinder.



### Associated Products

#### Asec Kite BS 1 Star Kitemarked Euro Key & Turn Cylinder

AS10021	70mm - 30 / T40 PB (Visi)
AS10022	70mm - 30 / T40 NP (Visi)
AS10023	70mm - 40 / T30 PB (Visi)
AS10024	70mm - 40 / T30 NP (Visi)
AS10160	70mm - 35 / T35 NP (Visi)
AS10161	70mm - 35 / T35 PB (Visi)
AS10162	80mm - 40 / T40 NP (Visi)
AS10163	80mm - 40 / T40 PB (Visi)
AS10164	75mm - 35 / T40 NP (Visi)
AS10165	75mm - 35 / T40 PB (Visi)
AS10166	75mm - 40 / T35 NP (Visi)
AS10167	75mm - 40 / T35 PB (Visi)
AS10168	85mm - 45 / T40 NP (Visi)
AS10169	85mm - 45 / T40 PB (Visi)
AS10170	85mm - 40 / T45 NP (Visi)
AS10171	85mm - 40 / T45 PB (Visi)
AS10172	100mm - 45 / T55 NP (Visi)
AS10173	100mm - 45 / T55 PB (Visi)

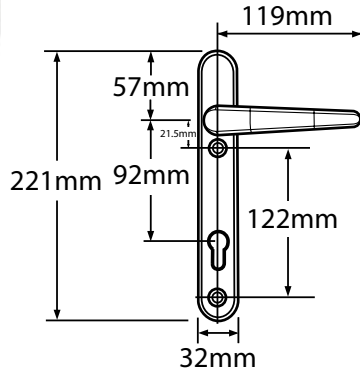
#### Asec Kite BS 1 Star Kitemarked Euro Double Cylinder

AS10146	100mm - 40/60 NP (Visi)
AS10147	100mm - 40/60 PB (Visi)
AS10152	100mm - 45/55 NP (Visi)
AS10153	100mm - 45/55 PB (Visi)
AS10158	100mm - 50/50 NP (Visi)
AS10159	100mm - 50/50 PB (Visi)
AS10154	105mm - 45/60 NP (Visi)
AS10155	105mm - 45/60 PB (Visi)
AS10156	110mm - 45/65 NP (Visi)

AS10157	110mm - 45/65 PB (Visi)
AS10126	60mm - 30/30 NP (Visi)
AS10127	60mm - 30/30 PB (Visi)
AS10020	70mm - 30/40 NP (Visi)
AS10019	70mm - 30/40 PB (Visi)
AS10128	70mm - 35/35 NP (Visi)
AS10129	70mm - 35/35 PB (Visi)
AS10130	75mm - 35/40 NP (Visi)
AS10131	75mm - 35/40 PB (Visi)
AS10132	80mm - 35/45 NP (Visi)
AS10133	80mm - 35/45 PB (Visi)
AS10138	80mm - 40/40 NP (Visi)
AS10139	80mm - 40/40 PB (Visi)
AS10134	85mm - 35/50 NP (Visi)
AS10135	85mm - 35/50 PB (Visi)
AS10140	85mm - 40/45 NP (Visi)
AS10141	85mm - 40/45 PB (Visi)
AS10136	90mm - 35/55 NP (Visi)
AS10137	90mm - 35/55 PB (Visi)
AS10142	90mm - 40/50 NP (Visi)
AS10143	90mm - 40/50 PB (Visi)
AS10148	90mm - 45/45 NP (Visi)
AS10149	90mm - 45/45 PB (Visi)
AS10144	95mm - 40/55 NP (Visi)
AS10145	95mm - 40/55 PB (Visi)
AS10150	95mm - 45/50 NP (Visi)
AS10151	95mm - 45/50 PB (Visi)

Product Code	Centres	Finish	Screw Centres	Spindle
AS10479	92/62mm	Polished Chrome	211mm	8mm
AS10480	92/62mm	Gold	211mm	8mm
AS10481	92/62mm	White	211mm	8mm

ERA UPVC Lever Door Furniture 3275



Features

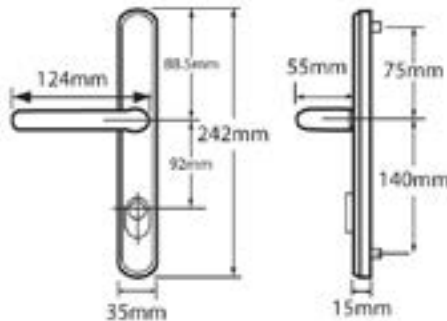
- Manufactured from forged aluminium alloy or stainless steel for strength and resistance against attack
- The handle shields the cylinder behind the back plate giving only access to the key slot
- The unique profile of the backplate ensure the attacker cannot grip the handle backplate
- Fitted with high tensile M6 screw for added strength
- Can be used in conjunction with a '1 Star' cylinder to meet the '3 Star' specification
- Fits standard 92mm centres

Overview

The ERA High Security 'TS007 2 Star' Handle when used with a '1 Star' cylinder protects against snapping, bumping and other methods of manipulation to gain illegal entry Manufactured from forged aluminium alloy or stainless steel for strength and resistance.

Product Code	Centres	Finish	Screw Centres	Spindle
L17988	92mm	Gold	122mm	8mm
L17987	92mm	Silver	122mm	8mm

HOPPE Tokyo Door Furniture PAS24 Altanta 92mm Centres 215mm Screw Centres



Features

- External back plates manufactured from solid aluminium extrusion, thus providing added strength and attack resistance
- Sliding cylinder cover to protect against attack and adjustable to suit various cylinder lengths
- M6 hardened steel screws for added strength
- Same fixing positions as standard HOPPE products therefore making the product suitable for retrofitting
- No need to fit additional cylinder protection.

Product Code	Centres	Finish	Screw Centres	Spindle	Mfr Ref.
L16469	92mm	Gold	215mm	8mm	1710/3623 -2671676
L16468	92mm	Silver	215mm	8mm	1710/3623N-2671668
L16470	92mm	White	215mm	8mm	1710/3623N-2671684



## HOPPE Tokyo Door Furniture PAS24 92mm Centres 122mm Screw Centres

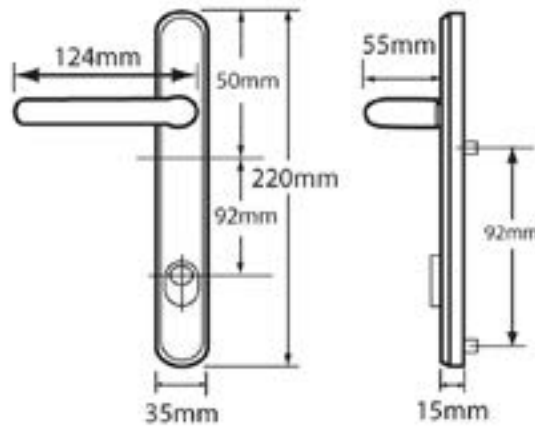


Door



### Features

- External back plates manufactured from solid aluminium extrusion, thus providing added strength and attack resistance
- Sliding cylinder cover to protect against attack and adjustable to suit various cylinder lengths
- M6 hardened steel screws for added strength
- Same fixing positions as standard HOPPE products therefore making the product suitable for retrofitting
- No need to fit additional cylinder protection.



Furniture

Product Code	Centres	Finish	Screw Centres	Spindle	Mfr Ref.
L16466	92mm	Gold	122mm	8mm	1710/3360N-2671609
L16465	92mm	Silver	122mm	8mm	1710/3360N-2669939
L16467	92mm	White	122mm	8mm	1710/3360N-2671609

**BORG LOCKS BL6100 Narrow Style Digital Lock With UPVC Extension**

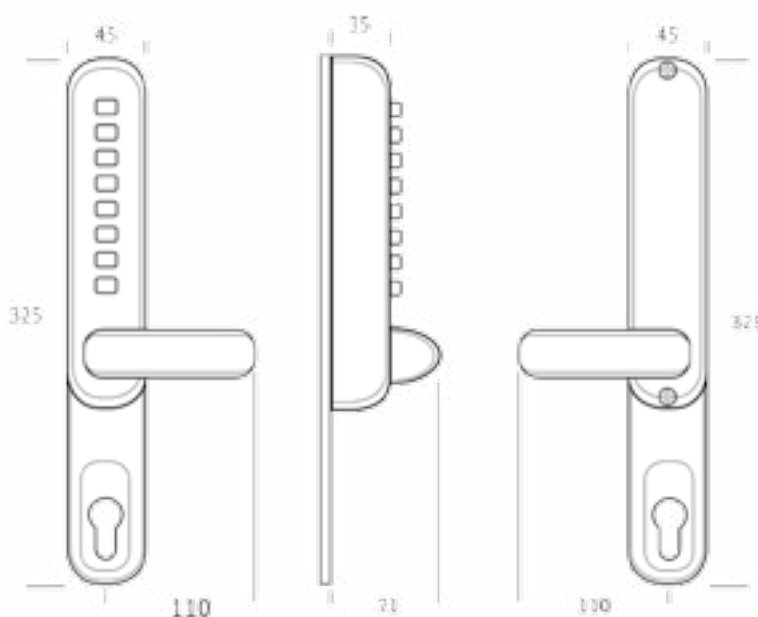


**Features**

- Suitable for internal or external applications
- Suitable for use with 90mm & 92mm centre multi point locks
- 70° handle rotation is ideal for multi-point locks
- 195mm fixing centres
- Narrow housing suitable for UPVC & aluminium applications
- 325mm extension plate
- Reversible Handing
- 1 Year Guarantee

**Overview**

The Borg BL6100 narrow style digital lock has been specially designed as a retro-fit solution for UPVC and aluminium doors. This non-handed digital lock with a single column 8 button keypad incorporates a 325mm extension plate fitted behind the keypad and inside handle to make it suitable for use with 90 & 92mm centred locks. The unique patented double button press design allows users to program a digit twice in the code. With a clutched keypad handle to protect against forced entry and lock damage, the handle of the BL6100 offers no resistance until the correct code is entered.



Product Code	Finish	Centres	Height	Mfr Ref.	Screw Centres	Spindle
L25201	Satin Chrome	90 & 92mm	325mm	BL6100SC	195mm	8mm
L25202	White	90 & 92mm	325mm	BL6100WH	195mm	8mm

## YALE Conexis L1 Smart Door Lock - No Module



### Features

- Unique Twist & Go unlocking feature (turn your Bluetooth enabled smartphone 90 degrees to unlock door)
- Manage and program your lock using the Yale smartphone app
- Kit includes: 1 x Conexis L1 Smart Door Lock; 1 x Key Card; 1 x Key Tag; 4x AA Batteries; Fixing pack
- App enables you to monitor access as well as set new codes for friends and family
- PAS24 accredited
- Four entry methods (Yale App, Key Card, Key Tag and Phone Tag)

### Overview

The innovative and easy to install Yale Conexis L1 Smart Door Lock can be managed entirely from your smartphone via the Yale App. Suitable for use with the majority of multipoint locks in the market and compatible with the Yale Smart Home system (Yale module available to special order) including existing Yale alarms and CCTV systems, the Conexis L1 gives users the flexibility to choose from four different keyless entry methods; app, key card, key tag or phone tag.

The unique Twist & Go feature allows users to quickly open the lock by simply turning their smartphone 90 degrees. The comprehensive App can be used to create & share access codes as well as monitor who has used the lock.

The secure push & turn thumbturn is engineered to give additional convenience and security to your door and, additionally, a 9V battery connection port can be used to power the Smart door lock in the event of flat batteries. This product also features a built in anti-tamper alarm, a 2 year guarantee, and connects to leading smart home systems when the appropriate module is fitted.

### Associated Products

**YALE Smart Living Key Card**  
L26805 Twin Pack

**YALE Smart Lock Phone Tag**  
L26804 Black - Twin Pack  
L26803 White - Twin Pack



Unique Twist & Go unlocking feature

Product Code	Finish	Centres	Height	Width	Depth	Mfr Ref
L26798	Polished Chrome	90 & 92mm	280mm	80mm	30mm	SD-L1000-CH

YALE Smart Living Key Card



Features

- Unlock your Yale smart lock
- Twin pack
- Compatible with the Conexis L1 Smart Lock

Overview

The Yale Smart Living Key Cards are supplied in packs of 2 and are designed to operate the Yale Conexis L1 Smart Lock.

Product Code	Pack Quantity	Mfr Ref.	Suits Product
L26805	2	P-YD-01-CON-RFIDC	Yale Conexis L1 Smart Door Lock

YALE Smart Lock Phone Tag



Features

- Unlock your Conexis L1 smart lock
- Fix to the rear of your phone
- Allows for keyless entry

Overview

The Yale Smart Lock Phone Tag can be fixed to the rear of your phone to allow keyless entry to your Conexis L1 smart lock.



Product Code	Finish	Pack Quantity	Mfr Ref.	Suits Product
L26803	White	2	P-YD-01-CON-RFIDPW	Yale Conexis L1 Smart Door Lock
L26804	Black	2	P-YD-01-CON-RFIDPB	Yale Conexis L1 Smart Door Lock

## YALE KF1 Keyfree Digital Remote Door Lock



### Features

- Insurance Approved
- Remote Control - 2 remote control key fobs supplied (10m range)
- Designed and built to Secured by Design standards
- 2 Year Guarantee
- Built in 80dB alarm to prevent tampering
- Mechanical lock and key as a safety over-ride feature (Cylinder supplied separately)

### Overview

Keyfree is the very latest in door security from Yale, and combines peace of mind with convenience by allowing you to access and protect your property without a key.

### Notes

"To fit this lock you will require the following details - The width of the door and the offset of the door (measurements A & B in the above drawing).

### Associated Products

#### YALE KF Keyfree Single Sided Euro Cylinder

L19703	40mm PC - Tailbar B (20.4mm)
L19704	55mm PC - Tailbar D (31.4mm)
L19705	55mm PC - Tailbar A (15.4mm)
L19706	55mm PC - Tailbar B (20.4mm)
L19707	55mm PC - Tailbar C (26.4mm)
L19708	60mm PC - Tailbar A (15.4mm)
L19709	60mm PC - Tailbar B (20.4mm)
L19710	60mm PC - Tailbar C (26.4mm)
L19711	40mm PB - Tailbar B (20.4mm)
L19712	55mm PB - Tailbar D (31.4mm)
L19713	55mm PB - Tailbar A (15.4mm)
L19714	55mm PB - Tailbar B (20.4mm)
L19715	55mm PB - Tailbar C (26.4mm)
L19716	60mm PB - Tailbar A (15.4mm)
L19717	60mm PB - Tailbar B (20.4mm)
L19718	60mm PB - Tailbar C (26.4mm)

#### YALE SP15 Keyfree Spindle

L19719	Spindle A - 86.1mm - (32mm / 27.1mm)
L19720	Spindle B - 101.6mm - (36mm / 38.6mm)
L19721	Spindle C - 111.6mm - (41mm / 43.6mm)
L19722	Spindle D - 111.6mm - (46mm / 38.6mm)
L19723	Spindle E - 106.6mm - (41mm / 38.6mm)
L19724	Spindle F - 107.1mm - (49mm / 31.1mm)
L19725	Spindle G - 99.1mm - (41mm / 31.1mm)

#### YALE FPS Keyfree Fixing Pack

L19726	Pack A - Max 50mm Thickness
L19727	Pack B - Max 55mm Thickness
L19728	Pack C - Max 60mm Thickness
L19729	Pack D - Max 65mm Thickness

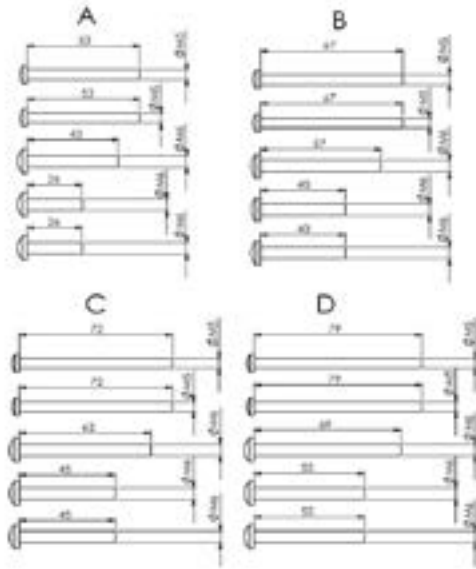
#### YALE FPS Keyfree Spare Remote Fob

L19732	Black - 10m Read Range
--------	------------------------

Door Thickness	"A" Dist. from front	"B" Dist. from Rear	Chrome	Brass	Spindle	Fixing Pack
44	22	22	L19703	L19711	L19719	L19726
48	24	24	L19703	L19711	L19719	L19726
54	27	27	L19705	L19713	L19719	L19726
58	29	29	L19706	L19714	L19720	L19727
59	34	25	L19708	L19716	L19720	L19727
60	26 - 28	32 - 34	L19706	L19714	L19725	L19727
60	30	30	L19709	L19717	L19720	L19727
60	32 - 34	26 - 28	L19708	L19716	L19720	L19727
62	28	34	L19704	L19712	L19723	L19728
62	35	27	L19707	L19715	L19720	L19727
62 - 65	22	40 - 43	L19704	L19712	L19724	L19728
64	31	33	L19709	L19717	L19723	L19728
65	28	37	L19707	L19715	L19723	L19728
65	37	28	L19707	L19715	L19720	L19728
70	26 - 29	41 - 44	L19704	L19712	L19724	L19729
70	30 - 33	37 - 40	L19710	L19718	L19722	L19729
70	34 - 35	35 - 36	L19710	L19718	L19721	L19729
70	35 - 38	32 - 35	L19704	L19712	L19721	L19729
70	39 - 40	30 - 31	L19704	L19712	L19720	L19729
70	40 - 44	26 - 30	L19710	L19718	L19720	L19729

Product Code	Code Length	Finish	Mfr Ref.	Weather Resistant
L19702	4 to 12 digits	Polished Brass	KF1-PB	Yes
L19701	4 to 12 digits	Chrome Plated	KF1-PC	Yes

YALE FPS Keyfree Fixing Pack



Features

- For use with Yale Keyfree range
- Available in 4 sizes

Overview

Fixing packs to suit Yale Keyfree. The different sizes available mean that you don't have to waste valuable time on site cutting the bolts down to the required size.



Product Code	Door Thickness	Mfr Ref.
L19726	Up to 50mm	FPAS
L19727	Up to 55mm	FPBS
L19728	Up to 60mm	FPCS
L19729	Up to 65mm	FPDS

YALE Keyfree Spare Remote Fob



Features

- Unlock your Keyfree with just one quick press of a button
- Remote locking with 10m range
- Can work with up to four key fobs at a time

Overview

Your Yale Keyfree door lock can work with up to four key fobs at a time, so additional key fobs are an ideal way to give access to more family members or trusted visitors.

Product Code	Finish	Read Range	Suits Product	Mfr Ref.
L19732	Black	10m	Yale Keyfree	KF-REM-CON

## YALE KF Keyfree Single Sided Euro Cylinder

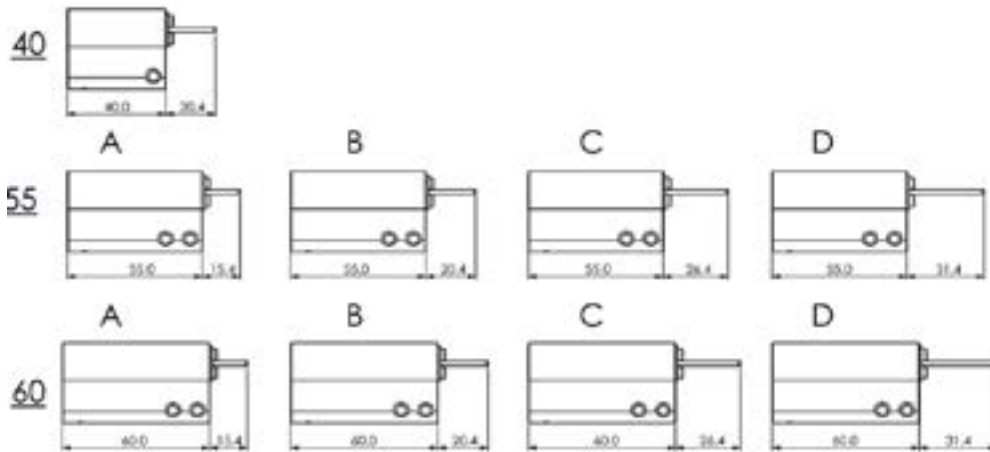


### Features

- 6 Pin System
- Pick Resistant
- Drill Resistant
- For use with Yale Keyfree range

### Overview

Single sided euro cylinders with tail bars of variable lengths. The different sizes of tailbar mean that you don't have to waste valuable time on site cutting the bolts down to the required size.



Product Code	Length	Finish	Tailbar	Mfr Ref.
L19711	40mm	Polished Brass	20.4mm	KF-40-PB
L19703	40mm	Polished Chrome	20.4mm	KF-40-PC
L19713	55mm	Polished Brass	15.4mm	KF-55-A-PBS
L19714	55mm	Polished Brass	20.4mm	KF-55-B-PBS
L19715	55mm	Polished Brass	26.4mm	KF-55-C-PBS
L19712	55mm	Polished Brass	200g	KF-55-PBS
L19705	55mm	Polished Chrome	15.4mm	KF-55-A-PCS
L19706	55mm	Polished Chrome	20.4mm	KF-55-B-PCS
L19707	55mm	Polished Chrome	26.4mm	KF-55-C-PCS
L19704	55mm	Polished Chrome	31.4mm	KF-55-PCS
L19716	60mm	Polished Brass	15.4mm	KF-60-A-PBS
L19717	60mm	Polished Brass	20.4mm	KF-60-B-PBS
L19718	60mm	Polished Brass	26.4mm	KF-60-C-PBS
L19708	60mm	Polished Chrome	15.4mm	KF-60-A-PCS
L19709	60mm	Polished Chrome	20.4mm	KF-60-B-PCS
L19710	60mm	Polished Chrome	26.4mm	KF-60-C-PCS

YALE SP1S Keyfree Spindle

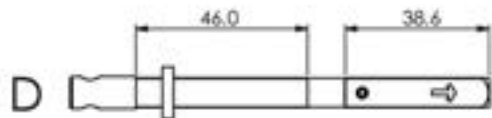
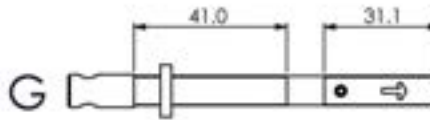
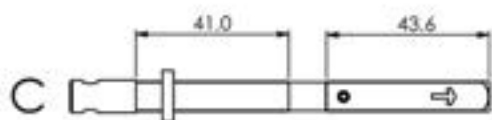
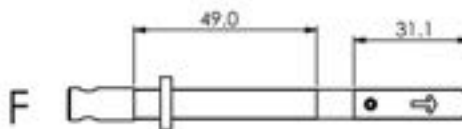
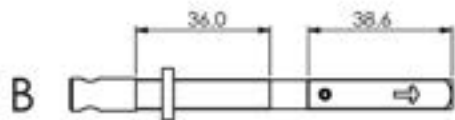
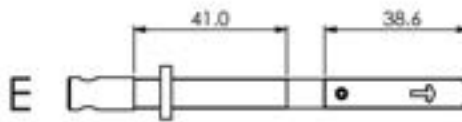
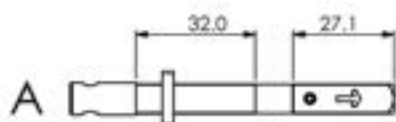


Features

- For use with Yale Keyfree range
- Available in 7 lengths

Overview

Getting the correct spindle is imperative to correctly operate the locking mechanism which is why there are 7 to choose from to ensure you have the right one for your application.



Product Code	A Side	Alias Brand	B Side	Length	Mfr Ref.
L19719	32mm	Keyfree	27.1mm	86.1mm	SPA1S
L19720	36mm	Keyfree	38.6mm	101.6mm	SPB1S
L19721	41mm	Keyfree	43.6mm	111.6mm	SPC1S
L19722	46mm	Keyfree	38.6mm	111.6mm	SPD1S
L19723	41mm	Keyfree	38.6mm	106.6mm	SPE1S
L19724	49mm	Keyfree	31.1mm	107.1mm	SPF1S
L19725	41mm	Keyfree	31.1mm	99.1mm	SPG1S



## ASEC 300mm (12") Letter Box Security Hood



### Features

- UK Manufactured
- Reduces the risk of intruders opening the door via the letterbox

### Overview

Reduces the risk of intruders opening the door via the letterbox or by sending a rod/hook and fishing through the letterbox to pick up house keys or car keys left unattended.



Product Code	Finish	Height	Width
AS10187	Polished Brass	65mm	315mm
AS10188	Silver	65mm	315mm
AS10189	White	65mm	315mm

## AVOCET Affinity UPVC Letter Box - 304mm Wide



### Features

- External flap opens 180°.
- Fully sprung loaded.
- Contains external weather seal.
- Contains internal draught seal.
- Will suit door thickness of 30 - 70mm.

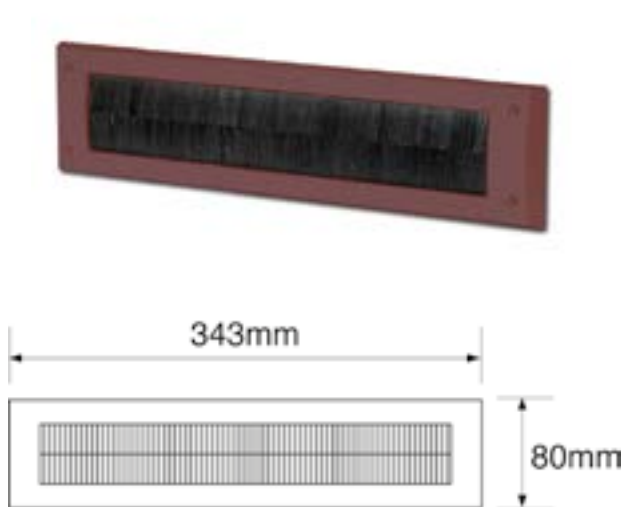
### Associated Products

- YALE UPVC Letter Plate Restrictor  
 L23521 Chrome - Boxed  
 L23522 White - Boxed



Product Code	Door Thickness	Finish	Height	Width	Opening Size	Mfr Ref.
L18661	30mm - 70mm	Chrome Plated	76mm	304mm	264mm x 50mm	LPAFCH
L18660	30mm - 70mm	Gold	76mm	304mm	264mm x 50mm	LPAFCG
L18659	30mm - 70mm	White	76mm	304mm	264mm x 50mm	LPAFWH

EXITEX Internal Letter Plate - With Out Flap



Features

- For horizontal letterboxes
- Moulded high impact PVC with long lasting bristle
- Stop draughts, dust, rain and peeping toms
- For internal use only

Overview

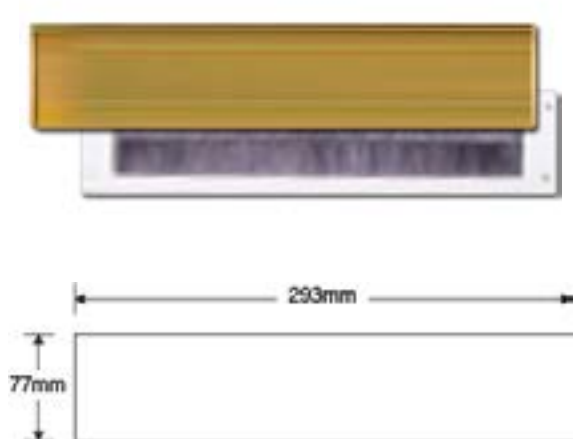
A letter tidy for internal use, the integral nylon brushes exclude noise, dust and the elements whilst protecting privacy.

Associated Products

- YALE UPVC Letter Plate Restrictor  
 L23521 Chrome - Boxed  
 L23522 White - Boxed

Product Code	Finish	Height	Width	Mfr Ref.
L22700	Brown	80mm	343mm	1.01.212.0000.10
L22701	White	80mm	343mm	1.01.212.0000.35

EXITEX Internal Letter Tidy - With Flap



Features

- For horizontal letterboxes
- Moulded high impact PVC with long lasting bristle
- Spring closing Aluminium flap
- Stop draughts, dust, rain and peeping toms
- For internal use only

Overview

A letter tidy for internal use, the spring loaded flap covers the integral nylon brushes which exclude noise, dust and the elements whilst protecting privacy.

Associated Products

- YALE UPVC Letter Plate Restrictor  
 L23521 Chrome - Boxed  
 L23522 White - Boxed

Product Code	Finish	Height	Width	Mfr Ref.
L22698	Gold	77mm	293mm	1.01.210.0000.15
L22699	Satin Anodised Aluminium	77mm	293mm	1.01.210.0000.31

## Furniture - Letter Plate

## FAB &amp; FIX Nu-Mail UPVC Letter Box 20-40 - 310mm Wide



### Features

- Anti Snap flap.
- External flap opens 180°.
- Fully sprung return.

### Associated Products

#### YALE UPVC Letter Plate Restrictor

- L23521 Chrome - Boxed
- L23522 White - Boxed



Product Code	Door Thickness	Finish	Height	Width	Opening Size	Mfr Ref.
L18658	20mm - 40mm	Chrome Plated	76mm	310mm	257mm x 38mm	3C201
L18657	20mm - 40mm	Gold	76mm	310mm	257mm x 38mm	3C205
L18656	20mm - 40mm	Silver	76mm	310mm	257mm x 38mm	3C202
L18655	20mm - 40mm	White	76mm	310mm	257mm x 38mm	3B050

## FAB &amp; FIX Nu-Mail UPVC Letter Box 40-80 - 310mm Wide



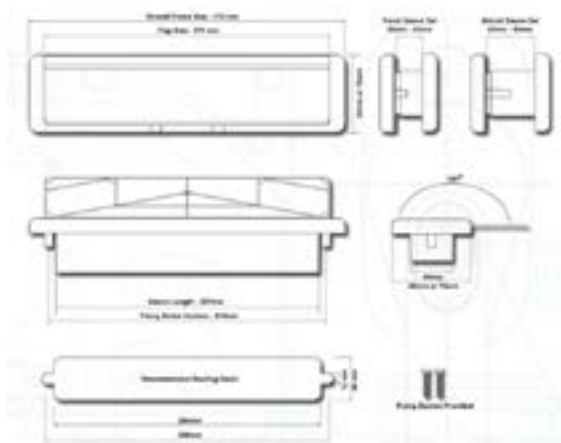
### Features

- Anti Snap flap.
- External flap opens 180°.
- Fully sprung return.

### Associated Products

#### YALE UPVC Letter Plate Restrictor

- L23521 Chrome - Boxed
- L23522 White - Boxed



Product Code	Door Thickness	Finish	Height	Width	Opening Size	Mfr Ref.
L18654	40mm - 80mm	Chrome Plated	76mm	310mm	257mm x 38mm	3C200
L18653	40mm - 80mm	Gold	76mm	310mm	257mm x 38mm	SC005
L18652	40mm - 80mm	Silver	76mm	310mm	257mm x 38mm	3C002
L18651	40mm - 80mm	White	76mm	310mm	257mm x 38mm	3C000

Greenteq Omega Letterbox



Features

- All metal frame construction
- Suits 40-80mm mid-rails and composite doors
- Supplied with M6 thru-fix screws or can be surface fixed
- Cushioned closing action
- Nylon brush seal to inside and weather seal to external flap
- 180° opening (both sides)

Overview

The Greenteq Omega Letterbox features a strong, cushioned closing action to stop rattling and internal brush seals and external Thermo-Plastic Rubber and Polyethylene seals to provide high quality draught and water protection.

Both the inner and outer flaps feature indentations on the lower frame to allow easy finger access and both open to a full 180° to avoid damage from rings or over-stressing the springs.

Product Code	Finish	Height	Length	Opening Size	Mfr Ref.
L25272	White	78mm	325mm	256 x 45mm	2QBX0001
L25273	Gold	78mm	325mm	256 x 45mm	2QBX0005
L25274	Chrome Polish	78mm	325mm	256 x 45mm	2QBX0006

MILA Contoura UPVC Letter Box 40-80 - 295mm Wide



Features

- A4 aperture to BS2911.
- 40mm - 80mm aperture.
- Nylon brush seal internally.

Associated Products

YALE UPVC Letter Plate Restrictor  
 L23521 Chrome - Boxed  
 L23522 White - Boxed



Product Code	Door Thickness	Finish	Height	Width	Opening Size	Mfr Ref.
L18650	40mm - 80mm	Gold	66mm	295mm	261mm x 45mm	110689W
L18649	40mm - 80mm	Silver	66mm	295mm	261mm x 45mm	110682W
L18648	40mm - 80mm	White	66mm	295mm	261mm x 45mm	110677W

## MILA Slim Master UPVC Letter Box 36-70 - 316mm Wide



### Features

- Aperture size 36mm to 70mm
- Slimline for narrow pad size
- External foam gasket opening size
- Internal nylon brush seals
- Telescopic sleeve set
- Closed cell foam pads for draught sealing

### Overview

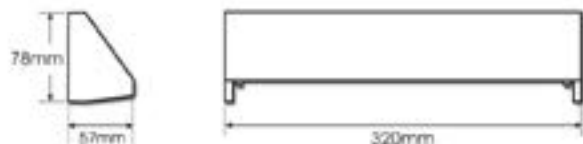
Slim and elegant aluminium letterbox suitable for use on most types of residential door.

### Associated Products

YALE UPVC Letter Plate Restrictor  
L23521 Chrome - Boxed  
L23522 White - Boxed

Product Code	Door Thickness	Finish	Height	Width	Opening Size	Mfr Ref.
L18715	36mm - 70mm	Gold	50mm	316mm	269mm x 38mm	110353
L18385	36mm - 70mm	White	50mm	316mm	269mm x 38mm	110352

## ROYDE &amp; TUCKER SFC Security Letter Cowl



### Features

- Strong steel construction
- Fits over the letterbox aperture
- Minimises the possibility of manipulating internal door handles and lock snibs
- Prevents viewing through the letter box

### Overview

This internal security cowl obstructs view from outside, prevents manipulation of locks/bolts, tampering and attack from outside.

### Associated Products

YALE UPVC Letter Plate Restrictor  
L23521 Chrome - Boxed  
L23522 White - Boxed

Product Code	Depth	Finish	Length	Width	Mfr Ref.
L10906	70mm	White	330mm	95mm	SFC

WELSEAL UPVC Letter Box 20-40 - 265mm Wide

Welseal



Features

- External flap opening to 147°.
- Internal flap opens to 90°.
- External foam seal.
- Internal nylon brush.

Associated Products

- YALE UPVC Letter Plate Restrictor  
 L23521 Chrome - Boxed  
 L23522 White - Boxed

Product Code	Door Thickness	Finish	Height	Width	Opening Size	Mfr Ref.
L18647	20mm - 40mm	Gold	70mm	265mm	220mm x 45mm	110443W
L18646	20mm - 40mm	Silver	70mm	265mm	220mm x 45mm	110440W
L18645	20mm - 40mm	White	70mm	265mm	220mm x 45mm	110442W

WELSEAL UPVC Letter Box 40-80 - 265mm Wide

Welseal



Features

- External flap opening to 147°.
- Internal flap opens to 90°.
- External foam seal.
- Internal nylon brush.

Associated Products

- YALE UPVC Letter Plate Restrictor  
 L23521 Chrome - Boxed  
 L23522 White - Boxed

Product Code	Door Thickness	Finish	Height	Width	Opening Size	Mfr Ref.
L18644	40mm - 80mm	Gold	70mm	265mm	220mm x 45mm	110463W
L18662	40mm - 80mm	Silver	70mm	265mm	220mm x 45mm	110460W
L18663	40mm - 80mm	White	70mm	265mm	220mm x 45mm	110462W

## Window Ware UPVC Letter Box - 265mm Wide



### Features

- Letter Box is a robust moulded frame set with internal and external sprung flaps
- The external flap has been designed to be opened to approx 147°, giving a generous and clear access to the sleeve aperture
- A secondary internal nylon brush seal has been introduced to reduce air filtration when in use
- Will suit door thickness of 38 - 78mm.

### Associated Products

YALE UPVC Letter Plate Restrictor  
 L23521 Chrome - Boxed  
 L23522 White - Boxed

Product Code	Door Thickness	Finish	Height	Width	Opening Size
L12714	38mm - 78mm	Polished Gold	70mm	265mm	216mm x 38mm
L12713	38mm - 78mm	Silver	70mm	265mm	216mm x 38mm
L12712	38mm - 78mm	White	70mm	265mm	216mm x 38mm

## Window Ware UPVC Letter Box - 305mm Wide



### Features

- Letter Box is a robust moulded frame set with internal and external sprung flaps
- The external flap has been designed to be opened to approx 147°, giving a generous and clear access to the sleeve aperture
- A secondary internal nylon brush seal has been introduced to reduce air filtration when in use
- Will suit door thickness of 38 - 78mm.

### Associated Products

YALE UPVC Letter Plate Restrictor  
 L23521 Chrome - Boxed  
 L23522 White - Boxed

Product Code	Door Thickness	Finish	Height	Opening Size	Width
L12717	38mm - 78mm	Polished Gold	70mm	254mm x 38mm	304mm
L12716	38mm - 78mm	Silver	70mm	254mm x 38mm	304mm
L12715	38mm - 78mm	White	70mm	254mm x 38mm	304mm

## Window Ware Aluminium Letter Box - 305mm Wide



### Features

- The Alpha Letter Box has a fully extruded aluminium frame set with internal and external sprung flaps
- The external flap has been designed to be opened approx 147°, giving a generous and clear access to the sleeve aperture
- A secondary internal nylon brush seal has been introduced to reduce air filtration when in use
- Will suit door thickness of 38 - 78mm.

### Associated Products

- YALE UPVC Letter Plate Restrictor  
 L23521 Chrome - Boxed  
 L23522 White - Boxed

Product Code	Door Thickness	Finish	Height	Width	Opening Size
L12720	38mm - 78mm	Polished Gold	70mm	305mm	254mm x 38mm
L12719	38mm - 78mm	Silver	70mm	305mm	254mm x 38mm
L12718	38mm - 78mm	White	70mm	305mm	254mm x 38mm



## HomeGUARD Letterbox Safety Device



Secured by Design



Police Preferred Specification

### Features

- Large capacity
- Easy to install
- Lockable letter plate
- Fire & leak-proof bag
- High quality slimline steel frame
- Secured by Design Approved

### Overview

Safety device by HomeGUARD specifically designed to protect homes against potentially damaging products that can enter the premises by being inserted through the letter box such as fireworks & liquids. The HomeGUARD will also protect mail against unwanted attention from inside the house, such as that of dogs and small children.

### Associated Products

[HomeGUARD+ Plus Letterbox Safety Device](#)  
L24319 HomeGUARD + Plus (new product)

[PostGUARD Letterbox Safety Device](#)  
L24320 PostGUARD (new product)

Product Code	Height	Width	Mailslot Size	Mfr Ref.
L24318	500mm	385mm - 460mm	315mm x 80mm	HomeGUARD

## HomeGUARD+ Plus Letterbox Safety Device



Secured by Design



Police Preferred Specification

### Features

- Large capacity
- Easy to install
- Lockable letter plate
- Fire & leak-proof bag
- High quality slimline steel frame
- Integrated heat detection tube & fire extinguisher
- Secured by Design Approved

### Overview

Safety device by HomeGUARD specifically designed to protect homes against potentially damaging products that can enter the premises by being inserted through the letter box such as fireworks & liquids. An added feature of the HomeGUARD Plus is the integrated fire extinguisher which will automatically extinguish flames the moment significant heat is detected. The HomeGUARD Plus will also protect mail against unwanted attention from inside the house, such as that of dogs and small children.

### Associated Products

[HomeGUARD Letterbox Safety Device](#)  
L24318 HomeGUARD

[PostGUARD Letterbox Safety Device](#)  
L24320 PostGUARD

Product Code	Height	Width	Mailslot Size	Mfr Ref.
L24319	500mm	385mm - 460mm	315mm x 80mm	HomeGUARD Plus

PostGUARD Letterbox Safety Device



Features

- Large capacity
- Easy to install
- Lockable letter plate
- Strong see-through mesh fabric
- High quality slimline steel frame
- Secured by Design Approved

Overview

Safety device by HomeGUARD specifically designed to improve home safety against burglary and protect post from unwanted attention from inside the house, such as that of dogs and small children.

Associated Products

HomeGUARD Letterbox Safety Device  
L24318 HomeGUARD (new product)

HomeGUARD+ Plus Letterbox Safety Device  
L24319 HomeGUARD + Plus (new product)



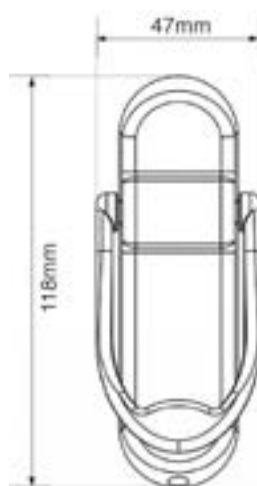
Product Code	Height	Width	Mailslot Size	Mfr Ref.
L24320	500mm	385mm - 460mm	315mm x 80mm	PostGUARD

AVOCET Affinity Door Knocker



Features

- Face fit for convenience.
- Cover plate to hide fixings.
- Knocker to compliment many styles of furniture.



Product Code	Finish	Mfr Ref.
L18598	Chrome Plated	DAAFDKCH
L18597	Gold	DAAFDKCG
L18596	White	DAAFDKWH

## AVOCET Door Knocker Cut For Viewer



### Features

- URN Door knocker cut to accept door viewer.
- Door viewer must be ordered separately



Product Code	Finish	Mfr Ref.
L18595	Black	DKBV
L18594	Chrome Plated	DKCHV
L18593	Gold	DKCGV
L18599	White	DKWV

## CHAMELEON Adaptable 160° Degree Door Viewer



### Features

- Available in a range of finishes
- Popular security device for rental properties and other dwellings
- 160° Vision
- Supplied with two adjustable barrels to suit doors between 35mm and 85mm thick
- Allows occupants to quickly identify callers without needing to open the door

### Overview

The easy-to-install Adaptable Door Viewer from Chameleon comes supplied with two barrels of varying lengths to allow for installation into doors between 35mm and 85mm thick. Popularly used in residential buildings, this 160° door viewer allows occupants to quickly identify callers without needing to open the door.

Product Code	Angle Of Vision	Door Thickness	Finish	Body Diameter
CH30070	160°	35mm - 85mm	Polished Brass	15mm
CH30071	160°	35mm - 85mm	Polished Chrome	15mm

ABUS 2160 Series 160° Door Viewer



Features

- 160° Vision
- Allows visual identification of callers
- Adjusts to fit doors 35mm to 53mm thick
- Brass body with chrome finish

Overview

Easy to fit chrome finish 160° door viewer adjustable for doors between 35mm and 53mm thickness

Product Code	Angle Of Vision	Door Thickness	Finish	Mfr Ref.
L19390	160°	35mm - 53mm	Nickel Plated	2160 Nickel C

ABUS 2200 Series 220° Door Viewer



Features

- 220° Vision
- Allows visual identification of callers
- Adjusts to fit doors 35mm to 53mm thick
- Brass body with chrome finish

Overview

Easy to fit polished brass & chrome finish 220° door viewer adjustable for doors between 35mm and 53mm thickness

Product Code	Angle Of Vision	Door Thickness	Finish	Mfr Ref.
L19391	220°	35mm - 53mm	Gold	2200 G C

ASEC Door Viewer



Features

- 180° Vision
- Allows visual identification of callers
- Adjusts to fit doors 30mm to 50mm thick

Overview

180° Door viewer to suite doors from 35mm to 50mm

Product Code	Finish	Angle Of Vision	Door Thickness	Mfr Ref.
AS3703	Chrome Plated	180°	30mm - 50mm	AS3703
AS3702	Polished Brass	180°	30mm - 50mm	AS3702

## ERA 190 Door Viewer 120°



### Features

- 120° Vision
- Allows visual identification of callers
- Adjusts to fit doors 35mm to 54mm thick

### Overview

The ERA Door Viewer offers visible security without the need to open the door.



Product Code	Finish	Angle Of Vision	Body Diameter	Door Thickness	Mfr Ref.
L14415	Polished Brass	120°	12mm	35mm - 54mm	190-32
L14416	Chrome Plated	120°	12mm	35mm - 54mm	190-62

## ERA 784 Door Viewer



### Features

- 160° Vision
- Allows visual identification of callers
- Adjusts to fit doors 35mm to 54mm thick
- Internal lens cover
- Made from precision glass Lens
- Material Brass

### Overview

The ERA Door Viewer offers visible security without the need to open the door.

Product Code	Finish	Angle Of Vision	Body Diameter	Door Thickness	Mfr Ref.
628	Polished Brass	160°	12mm	35mm - 54mm	784-32
L00069	Chrome Plated	160°	12mm	35mm - 54mm	784-62

ERA 786 Door Viewer



Features

- 120° Vision
- Allows visual identification of callers
- Adjusts to fit doors 35mm to 54mm thick
- Internal lens cover
- Made from precision glass Lens
- Material Brass

Overview

The ERA Door Viewer offers visible security without the need to open the door.

Product Code	Finish	Angle Of Vision	Body Diameter	Door Thickness	Mfr Ref.
7370	Polished Brass	120°	12mm	35mm - 54mm	786-32
632	Chrome Plated	120°	12mm	35mm - 54mm	786-62

YALE 8V001 Door Viewer



Features

- 170° Vision
- Allows visual identification of callers
- Adjusts to fit doors 25mm to 59mm thick

Product Code	Angle Of Vision	Body Diameter	Door Thickness	Finish	Mfr Ref.
450	170°	12mm	25mm - 59mm	Polished Brass	8V001
452	170°	12mm	25mm - 59mm	Chrome Plated	8V001

YALE WS9 Door Viewer



Features

- 175° Vision
- Allows visual identification of callers
- Adjusts to fit doors 40mm to 95mm thick

Product Code	Angle Of Vision	Door Thickness	Finish	Mfr Ref.
L800	175°	40mm - 95mm	Polished Brass	WS9
448	175°	40mm - 95mm	Chrome Plated	WS9

## Asec Metal Letters



### Features

- 50mm high letters
- Front screw fix
- Solid metal construction

### Overview

50mm screw fixed letters A to D in polished brass and polished chrome

Product Code	Finish	Letters	Height	Mfr Ref.
AS3574	Chrome Plated	A	50mm	AS3574
AS3575	Chrome Plated	B	50mm	AS3575
AS3576	Chrome Plated	C	50mm	AS3576
AS3570	Polished Brass	A	50mm	AS3570
AS3571	Polished Brass	B	50mm	AS3571
AS3572	Polished Brass	C	50mm	AS3572
AS3573	Polished Brass	D	50mm	AS3573

## Asec Metal Numerals



### Features

- 76mm high numerals
- Front screw fix
- Solid metal construction

### Overview

76mm screw fixed numerals 0 to 9 in polished brass and polished chrome

Product Code	Finish	Numbers	Height	Mfr Ref.
AS3560	Chrome Plated	0	76mm	AS3560
AS3561	Chrome Plated	1	76mm	AS3561
AS3562	Chrome Plated	2	76mm	AS3562
AS3563	Chrome Plated	3	76mm	AS3563
AS3564	Chrome Plated	4	76mm	AS3564
AS3565	Chrome Plated	5	76mm	AS3565
AS3566	Chrome Plated	6	76mm	AS3566
AS3567	Chrome Plated	7	76mm	AS3567
AS3568	Chrome Plated	8	76mm	AS3568
AS3569	Chrome Plated	9	76mm	AS3569
AS3510	Polished Brass	0	76mm	AS3510
AS3511	Polished Brass	1	76mm	AS3511
AS3512	Polished Brass	2	76mm	AS3512
AS3513	Polished Brass	3	76mm	AS3513
AS3514	Polished Brass	4	76mm	AS3514
AS3515	Polished Brass	5	76mm	AS3515
AS3516	Polished Brass	6	76mm	AS3516
AS3517	Polished Brass	7	76mm	AS3517
AS3518	Polished Brass	8	76mm	AS3518
AS3519	Polished Brass	9	76mm	AS3519

## ASEC UPVC Spindle (160mm) & Screw (2x80mm) Pack



### Features

- Includes 1 spindle and 2 screws
- Spindle size: 160mm
- Screw size: 80mm
- Suits the majority of UPVC handles
- Ideal for storage in toolbox or van

### Overview

Spindle & screw pack by Asec to suit the majority of UPVC handles. This pack includes 1 spindle (160mm) & 2 screws (each 80mm) and can be easily stored making it particularly suitable for storage in toolboxes and vans.

Product Code	Finish	Screw Size	Spindle
AS10494	Brass	80mm	160mm
AS10495	Nickel	80mm	160mm
AS10858	Black	80mm	160mm
AS10857	White	80mm	160mm

## CHAMELEON Replacement UPVC Furniture Spindle & Bolt Pack



### Features

- Suits the majority of UPVC door handles
- 1 x 160mm long 8mm spindle
- 2 x 80mm bolts

### Overview

This pack is ideal to have when installing UPVC doors & windows, the bolts & spindle are supplied long so that they can be cut down to size on site if required.

Product Code	Finish	Screw Size	Spindle
CH10494	Polished Brass	80mm	8mm x 160mm
CH10495	Nickel Plated	80mm	8mm x 160mm
CH30024	Black	80mm	8mm x 160mm
CH30023	White	80mm	8mm x 160mm



## CHAMELEON PRO 92PZ 122mm Fixing Conversion Kit



### Features

- Additional backplate to allow 122mm screw fixing
- Kit includes: 1 x internal inner backplate, 1 x external inner backplate & 1 x 100 CSK screw
- To be used with the Chameleon Pro handle

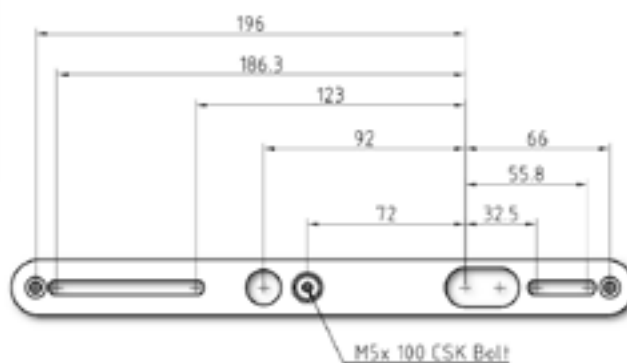
### Overview

The Fixing Conversion Kit to suit the Chameleon Pro Handle is ideal for retrofit applications where a screw fixing of 122mm is needed. The kit includes an inner backplate, an outer backplate and a 100 CSK screw.

### Associated Products

#### Chameleon PRO Adaptable Door Handle

- CH30025 White
- CH30026 Silver
- CH30027 Polished Silver
- CH30028 Gold
- CH30068 Black



Product Code	Length	Suits Product
CH30069	284m	Chameleon PRO Adaptable Handle

## CHAMELEON Spindle Adaptor Sleeve



### Features

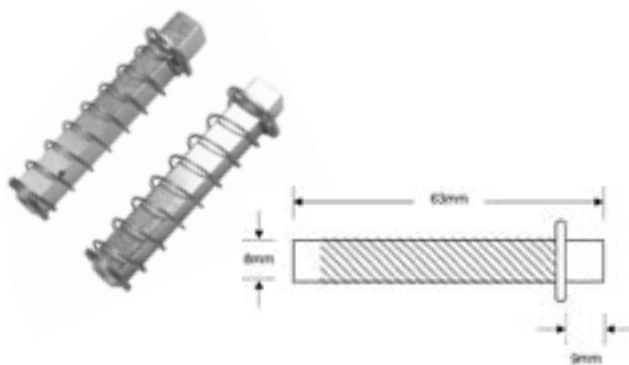
- Converts smaller spindles to be 8mm
- Very easy to install
- Full metal construction

### Overview

This metal square tube simply slides over the existing spindle to increase its width to be 8mm therefore making it compatible with the majority of followers.

Product Code	Mfr Ref.	Notes	Pack Quantity	Packaging	Width
CH22679	CH22679	Takes a 7mm spindle	1	Loose	8mm
CH22671	CH22671	Takes a 5mm spindle	1	Loose	8mm

### CHAMELEON Split Spindle Set



#### Features

- For use with split spindle lock cases
- Allows each side to operate independently
- Supplied as a pair (60mm & 63mm)
- Shorter spindle is to suit external side

#### Overview

This pair of spindles are to suit split spindle UPVC lock cases, they are 60mm and 63mm long with the shorter spindle being used for the external side.

Product Code	Finish	Length	Mfr Ref.	Pack Qty	Spindle	Width
CH10323	Silver	60mm & 63mm	CH10323	2	8mm	8mm

### Chameleon UPVC Repair Screw Fixing Tab Plate



#### Features

- Includes metal tab & plastic fir tree fixing
- Allow fixing of mechanism in door when original screw hole is unusable
- Easy push fit fir tree fixing
- Suitable for use on UPVC door locks

#### Operation

This product is simple and effective, if you have fixed screw holes in the mechanism but the hole behind them is unusable then fix this tab to the door lock with the plastic fir tree fixing and then screw in the other hole for a stable fixing.

Product Code	Finish	Height	Mfr Ref.	Width
CH10439	Silver	16mm	CH10439	28mm

### CHAMELEON M5 UPVC Hollow Fixing Kit



#### Features

- Pack contains 10 x M5 bolts & 10 x M5 hollow fixings
- Specifically designed for UPVC installation
- Use a 9mm drill to install hollow fixing
- Countersunk bolt head for a flush finish

#### Operation

This 10 pack of 40mm M5 bolt with countersunk head and hollow fixings is specifically designed for use on UPVC applications and requires a 9mm hole to insert the hollow fixing into.

Product Code	Pack Quantity	Screw Size
CH30039	10	M5 x 50mm
CH10464	10	M5 x 40mm

## Aldridge Sleeve M Metal Spindle Adaptor (8mm to 5mm)

Aldridge



## Features

- Metal Construction
- Easy To Fit
- Converts 5mm Spindle to 8mm

## Overview

A simple square metal sleeve slides over a 5mm spindle to increase the width to 8mm.

Product Code	Mfr Ref.	Packaging
L22671	SLEEVE M	Loose

## ASEC Spring Cassette



## Features

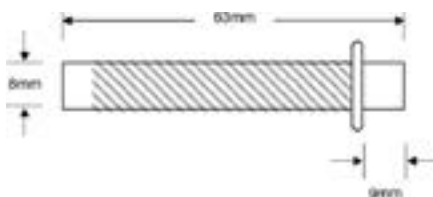
- Single spring cassette
- Available in two sizes

## Overview

Asec Spring Cassette to suit unsprung or lightly sprung UPVC door handles with 122mm or 211mm fixings. Simply slide a spring cassette over the spindle to help ensure door handles remain upright.

Product Code	Depth	Finish	Length	Spindle	Width
AS10677	5mm	White	58mm	8mm	24mm
AS10678	5mm	White	60mm	8mm	22mm

## ASEC Pair Of Half Spindles For Split Spindle Applications



## Features

- For use with split spindle lock cases
- Allows each side to operate independently
- Supplied as a pair
- Shorter spindle to suit external side

## Overview

A pair of half spindles used with the appropriate locking mechanism where split spindle functionality is required.

Product Code	Finish	Length	Spindle	Width
AS10323	Silver	60mm & 63mm	8mm	8mm

### DORTREND YGCSP Split Spindle



#### Features

- 8mm split spindle
- This spindle allows one side to operate freely while the other is fixed

Product Code	Finish	Length	Mfr Ref.
L10786	Zinc Plated	93mm	YGCSP

### DORTREND Plain Spindle



#### Features

- 8mm plain spindle
- Two lengths to suit different door widths

Product Code	Finish	Length
2386	Steel	140mm
7514	Steel	82mm

### GU Half Spindle



#### Features

- For use with split spindle lock cases
- Allows each side to operate independently

Product Code	Length
L15382	54mm
L15384	65mm
L15383	76mm

## HOPPE 87109052 Spare Fixing Pack To Suit 3337 Backplate

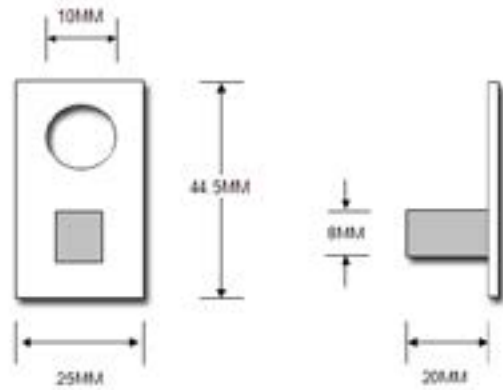


### Features

- To suit 3337 backplate
- Fixing pack

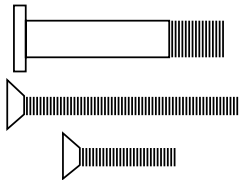
### Overview

Spare fixing pack by Hoppe to suit the 3337 Backplate.

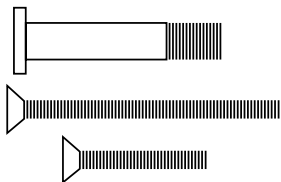


Product Code	Depth	Height	Mfr Ref.	Weight	Width
L23965	25mm	45mm	87109052	25g	25mm

## HOPPE Bolt Kit To Suit PAS24 Furniture



L23966 Suitable for 44mm thick doors



L23967 Suitable for 60mm thick doors

### Features

- To suit Atlanta PAS24 furniture

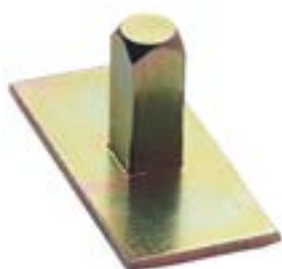
### Overview

Bolt kit by Hoppe to suit PAS24 furniture, available in either 44mm or 60mm.



Product Code	Mfr Ref.
L23966	3582202
L23967	3663598

### HOPPE Lever / Pad Fixing Plate



#### Features

- Backplate to make Lever / Pad into fixed pad.

Product Code
L16401

### HOPPE Spring Cassette For Hoppe Levers



#### Features

- Single Spring Cassette

Product Code	Mfr Ref.
L18714	2916426

### HOPPE Metal Spindle Sleeve Adaptor (7mm to 8mm)



#### Features

- Metal Construction
- Easy To Fit
- Converts 7mm Spindle to 8mm

#### Overview

A simple square metal sleeve slides over a 7mm spindle to increase the width to 8mm.

Product Code	Length	Width	Mfr Ref.
L22679	30mm	8mm	2160551

# ERA can offer a wide range of Perfectly Matching and Security Hardware for your PVCu Windows and Doors.



Door Knockers



Numerals



Window Handles



Monkey Tail Handle \*



Dummy Door Knobs



Monkey Tail Stay \*



Door Handles



Teardrop Handle \*



Letterplates



Teardrop Stay \*

### Available in finishes



White



Black



Hardex  
Chrome



Hardex  
Gold



Hardex  
Graphite



Hardex  
Bronze



Hardex  
Satin



Antique  
Black

\* Available in Hardex Graphite, Hardex Gold, Hardex Chrome and Antique Black only.



1 Star Anti-bump Cylinder



Berwick 2 Star Security Handle



Replacement Door Lock



Vectis Plus 5 Lever Door Lock



Horizon Stay



Hingeguard



Total Security

[www.eraeverywhere.com](http://www.eraeverywhere.com)

» Door

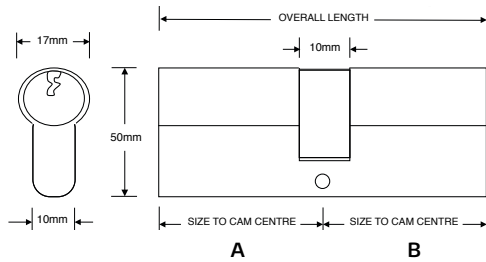
# Cylinders

---

Open Profile	<b>388 - 394</b>
1 Star	<b>396 - 401</b>
1 Star Restricted	<b>402 - 406</b>
3 Star	<b>408 - 410</b>
3 Star Restricted	<b>412 - 415</b>



## ASEC 5-Pin Euro Double Cylinder



## Features

- Supplied with 3 keys
- Cylinder retaining screw included
- Cost effective cylinder range

## Overview

A cost effective 5 pin cylinder ideal for remedial jobs.

## Associated Products

ASEC 5- Pin Cylinder Blank  
AS1199 Asec 5- Pin Blank



Product Code	A Side	B Side	Finish	Keyed	Length	Mechanism
AS1165	40mm	60mm	Nickel Plated	KD	100mm	5 Pin
AS1362	40mm	60mm	Polished Brass	KD	100mm	5 Pin
AS1186	45mm	55mm	Nickel Plated	KD	100mm	5 Pin
AS1363	45mm	55mm	Polished Brass	KD	100mm	5 Pin
AS1185	50mm	50mm	Nickel Plated	KD	100mm	5 Pin
AS1364	50mm	50mm	Polished Brass	KD	100mm	5 Pin
AS1187	45mm	60mm	Nickel Plated	KD	105mm	5 Pin
AS1365	45mm	60mm	Polished Brass	KD	105mm	5 Pin
AS1188	45mm	65mm	Nickel Plated	KD	110mm	5 Pin
AS1151	30mm	30mm	Nickel Plated	KD	60mm	5 Pin
AS1349	30mm	30mm	Polished Brass	KD	60mm	5 Pin
AS1152	30mm	35mm	Nickel Plated	KD	65mm	5 Pin
AS1350	30mm	35mm	Polished Brass	KD	65mm	5 Pin
AS1154	30mm	40mm	Nickel Plated	KD	70mm	5 Pin
AS1153	35mm	35mm	Nickel Plated	KD	70mm	5 Pin
AS1195	35mm	35mm	Polished Brass	KD	70mm	5 Pin
AS1351	30mm	40mm	Polished Brass	KD	70mm	5 Pin
AS1155	35mm	40mm	Nickel Plated	KD	75mm	5 Pin
AS1352	35mm	40mm	Polished Brass	KD	75mm	5 Pin
AS1157	30mm	50mm	Nickel Plated	KD	80mm	5 Pin
AS1353	30mm	50mm	Polished Brass	KD	80mm	5 Pin
AS1180	35mm	45mm	Nickel Plated	KD	80mm	5 Pin
AS1354	35mm	45mm	Polished Brass	KD	80mm	5 Pin
AS1156	40mm	40mm	Nickel Plated	KD	80mm	5 Pin
AS1196	40mm	40mm	Polished Brass	KD	80mm	5 Pin
AS1159	35mm	50mm	Nickel Plated	KD	85mm	5 Pin
AS1355	35mm	50mm	Polished Brass	KD	85mm	5 Pin
AS1158	40mm	45mm	Nickel Plated	KD	85mm	5 Pin
AS1356	40mm	45mm	Polished Brass	KD	85mm	5 Pin
AS1162	35mm	55mm	Nickel Plated	KD	90mm	5 Pin
AS1357	35mm	55mm	Polished Brass	KD	90mm	5 Pin
AS1161	40mm	50mm	Nickel Plated	KD	90mm	5 Pin
AS1358	40mm	50mm	Polished Brass	KD	90mm	5 Pin
AS1160	45mm	45mm	Nickel Plated	KD	90mm	5 Pin
AS1359	45mm	45mm	Polished Brass	KD	90mm	5 Pin
AS1163	40mm	55mm	Nickel Plated	KD	95mm	5 Pin
AS1360	40mm	55mm	Polished Brass	KD	95mm	5 Pin
AS1164	45mm	50mm	Nickel Plated	KD	95mm	5 Pin
AS1361	45mm	50mm	Polished Brass	KD	95mm	5 Pin

## ASEC 5-Pin Euro Key & Turn Cylinder

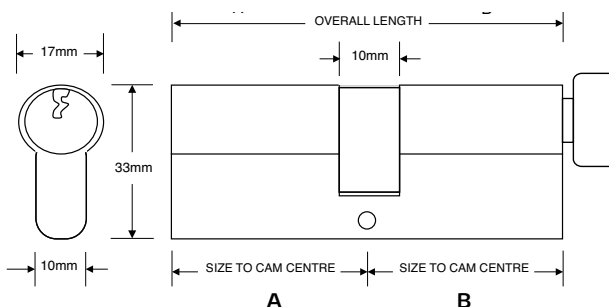


### Features

- Supplied with 3 Keys
- Cylinder Retaining Screw Included
- Cost Effective Cylinder Range

### Associated Products

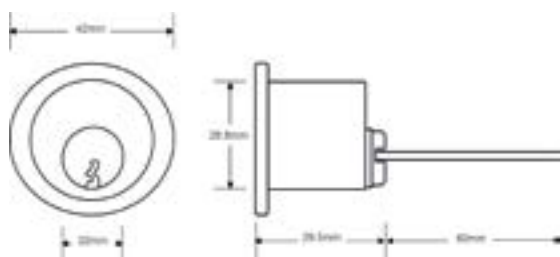
ASEC 5- Pin Cylinder Blank  
AS1199 Asec 5- Pin Blank



Product Code	A Side	B Side	Finish	Keyed	Length	Mechanism
AS1386	40mm	T 60mm	Nickel Plated	KD	100mm	5 Pin
AS1388	40mm	T 60mm	Polished Brass	KD	100mm	5 Pin
AS1387	60mm	T 40mm	Nickel Plated	KD	100mm	5 Pin
AS1389	60mm	T 40mm	Polished Brass	KD	100mm	5 Pin
AS1169	30mm	T 30mm	Nickel Plated	KD	60mm	5 Pin
AS1370	30mm	T 30mm	Polished Brass	KD	60mm	5 Pin
AS1170	35mm	T 35mm	Nickel Plated	KD	70mm	5 Pin
AS1197	35mm	T 35mm	Polished Brass	KD	70mm	5 Pin
AS1399	35mm	T 45mm	Nickel Plated	KD	80mm	5 Pin
AS1401	35mm	T 45mm	Polished Brass	KD	80mm	5 Pin
AS1191	40mm	T 40mm	Nickel Plated	KD	80mm	5 Pin
AS1198	40mm	T 40mm	Polished Brass	KD	80mm	5 Pin
AS1398	45mm	T 35mm	Nickel Plated	KD	80mm	5 Pin
AS1400	45mm	T 35mm	Polished Brass	KD	80mm	5 Pin
AS1402	40mm	T 45mm	Nickel Plated	KD	85mm	5 Pin
AS1404	40mm	T 45mm	Polished Brass	KD	85mm	5 Pin
AS1403	45mm	T 40mm	Nickel Plated	KD	85mm	5 Pin
AS1391	35mm	T 55mm	Nickel Plated	KD	90mm	5 Pin
AS1394	40mm	T 50mm	Nickel Plated	KD	90mm	5 Pin
AS1396	40mm	T 50mm	Polished Brass	KD	90mm	5 Pin
AS1395	50mm	T 40mm	Nickel Plated	KD	90mm	5 Pin
AS1397	50mm	T 40mm	Polished Brass	KD	90mm	5 Pin
AS1390	55mm	T 35mm	Nickel Plated	KD	90mm	5 Pin
AS1392	55mm	T 35mm	Polished Brass	KD	90mm	5 Pin

## Cylinders - Open Profile

## ASEC Kite Rim Cylinder



## Features

- Drill Resistant - Configuration
- Pick Resistance - Provided by special driver profile
- Bump Resistant - BKP device fitted as standard.

## Overview

A rim cylinder to compliment the Asec Kite range of Kitemarked euro double and key & turn cylinders. All cylinders on the Asec Kite range share a profile and therefore can be keyed alike.

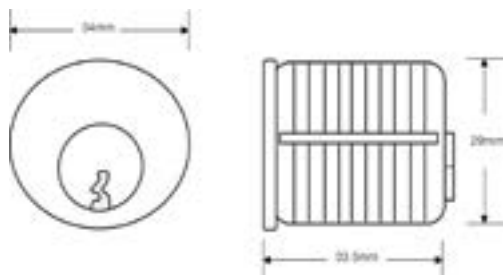
## Associated Products

ASEC Kite Cylinder Key Blank  
AS10184 Asec Kite Blank



Product Code	Finish	Keyed	Mechanism
AS10174	Nickel Plated	KD	6 Pin
AS10175	Satin Brass	KD	6 Pin

## ASEC Kite Screw In Cylinder



## Features

- Drill Resistant - Configuration
- Pick Resistance - Provided by special driver profile
- Bump Resistant - BKP device fitted as standard.

## Overview

A screw-in cylinder to compliment the Asec Kite range of Kitemarked euro double and key & turn cylinders. All cylinders on the Asec Kite range share a profile and therefore can be keyed alike.

## Associated Products

ASEC Kite Cylinder Key Blank  
AS10184 Asec Kite Blank



Product Code	Finish	Keyed	Mechanism
AS10177	Nickel Plated	KD	6 Pin
AS10176	Nickel Plated	KD	6 Pin

## CISA Astral S Euro Double Cylinder - Dimple



### Features

- Laminated segment pack increases resistance to snapping
- 10 Pin Key Bitting System
- Brass cylinder body & plugs
- 16 million key differs
- Pick, Drill & Bump Resistant
- Supplied With 3 Reversible Flat Keys and cylinder retaining screw

### Associated Products

CISA 00620-01-0 Astral & Astral S Blank  
L16186 00620-01-0



Product Code	A Side	B Side	Finish	Keyed	Length
L16072	40mm	60mm	Nickel Plated	KD	100mm
L16073	40mm	60mm	Polished Brass	KD	100mm
L16074	45mm	55mm	Nickel Plated	KD	100mm
L16096	45mm	50mm	Polished Brass	KD	100mm
L16075	50mm	50mm	Nickel Plated	KD	100mm
L16076	50mm	50mm	Polished Brass	KD	100mm
L16046	30mm	30mm	Nickel Plated	KD	60mm
L16047	30mm	30mm	Polished Brass	KD	60mm
L16048	30mm	40mm	Nickel Plated	KD	70mm
L16049	30mm	40mm	Polished Brass	KD	70mm
L16050	35mm	35mm	Nickel Plated	KD	70mm
L16051	35mm	35mm	Polished Brass	KD	70mm
L16052	35mm	40mm	Nickel Plated	KD	75mm
L16053	35mm	40mm	Polished Brass	KD	75mm
L16054	30mm	50mm	Nickel Plated	KD	80mm
L16055	30mm	50mm	Polished Brass	KD	80mm
L16056	35mm	45mm	Nickel Plated	KD	80mm
L16057	35mm	45mm	Polished Brass	KD	80mm
L16058	40mm	40mm	Nickel Plated	KD	80mm
L16059	40mm	40mm	Polished Brass	KD	80mm
L16060	35mm	50mm	Nickel Plated	KD	85mm
L16061	35mm	50mm	Polished Brass	KD	85mm
L16062	40mm	45mm	Nickel Plated	KD	85mm
L16063	40mm	45mm	Polished Brass	KD	85mm
L16064	30mm	60mm	Nickel Plated	KD	90mm
L16065	30mm	60mm	Polished Brass	KD	90mm
L16066	35mm	55mm	Nickel Plated	KD	90mm
L16067	35mm	55mm	Polished Brass	KD	90mm
L16068	40mm	50mm	Nickel Plated	KD	90mm
L16069	40mm	50mm	Polished Brass	KD	90mm
L16070	45mm	45mm	Nickel Plated	KD	90mm
L16071	45mm	45mm	Polished Brass	KD	90mm
L16193	40mm	55mm	Nickel Plated	KD	95mm
L16194	40mm	55mm	Polished Brass	KD	95mm
L16195	45mm	50mm	Nickel Plated	KD	95mm
L16196	45mm	50mm	Polished Brass	KD	95mm

## CISA Astral S Euro Key &amp; Turn Cylinder - Dimple

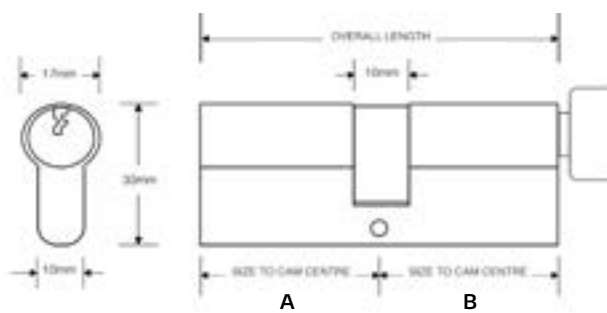


### Features

- Laminated segment pack increases resistance to snapping
- 10 Pin Key Bitting System
- Brass cylinder body & plugs
- 16 million key differs
- Pick, Drill & Bump Resistant
- Supplied With 3 Reversible Flat Keys and cylinder retaining screw

### Associated Products

CISA 00620-01-0 Astral &  
Astral S Blank  
L16186 00620-01-0



Product Code	A Side	B Side	Finish	Keyed	Length
L16094	45mm	T 55mm	Nickel Plated	KD	100mm
L16093	45mm	T 55mm	Polished Brass	KD	100mm
L16077	30mm	T 30mm	Nickel Plated	KD	60mm
L16078	30mm	T 30mm	Polished Brass	KD	60mm
L17281	30mm	T 40mm	Nickel Plated	KD	70mm
L17108	30mm	T 40mm	Polished Brass	KD	70mm
L16079	35mm	T 35mm	Nickel Plated	KD	70mm
L16080	35mm	T 35mm	Polished Brass	KD	70mm
L16081	35mm	T 45mm	Nickel Plated	KD	80mm
L16082	35mm	T 45mm	Polished Brass	KD	80mm
L16083	40mm	T 40mm	Nickel Plated	KD	80mm
L16084	40mm	T 40mm	Polished Brass	KD	80mm
L16085	45mm	T 35mm	Nickel Plated	KD	80mm
L16086	45mm	T 35mm	Polished Brass	KD	80mm
L16087	45mm	T 40mm	Nickel Plated	KD	85mm
L16088	45mm	T 40mm	Polished Brass	KD	85mm
L16089	40mm	T 50mm	Nickel Plated	KD	90mm
L16090	40mm	T 50mm	Polished Brass	KD	90mm
L16091	40mm	T 55mm	Nickel Plated	KD	95mm
L16092	40mm	T 55mm	Polished Brass	KD	95mm

## CISA Astral S24 QD Euro Double Cylinder - Dimple

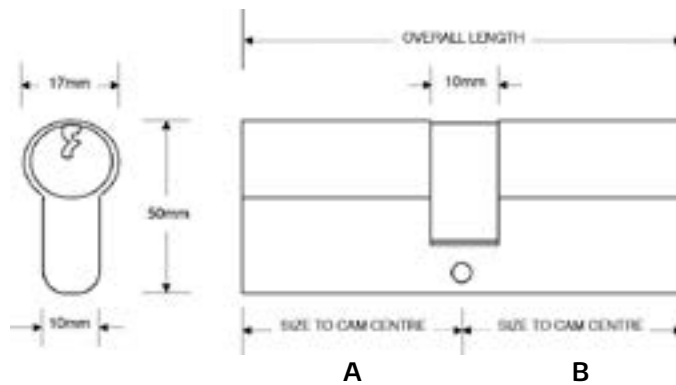


### Features

- Laminated segment pack increases resistance to snapping
- Unique break line provides resistance to both snapping and pulling without the support of an armoured handle
- Supplied c/w cylinder retaining screw
- 10 Pin Key Bitting System
- Brass cylinder

### Associated Products

CISA 00620-01-0 Astral & Astral S Blank  
L16186 00620-01-0



Product Code	A Side	B Side	Finish	Keyed	Length
L17769	40mm	60mm	Nickel Plated	KD	100mm
L17774	40mm	60mm	Polished Brass	KD	100mm
L17768	45mm	55mm	Nickel Plated	KD	100mm
L17773	45mm	55mm	Polished Brass	KD	100mm
L17765	35mm	35mm	Nickel Plated	KD	70mm
L17770	35mm	35mm	Polished Brass	KD	70mm
L17766	40mm	50mm	Nickel Plated	KD	90mm
L17771	40mm	50mm	Polished Brass	KD	90mm
L17772	45mm	50mm	Polished Brass	KD	95mm

## EVVA A5 Snap Resistant Euro Double Cylinder



### Features

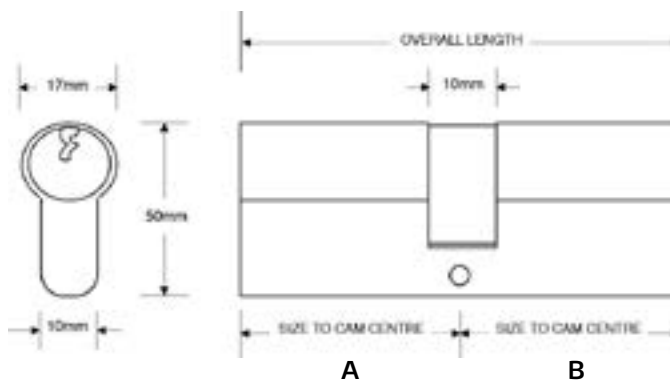
- A section (F section to special order)
- 30 minute fire resistance to 821° C
- 3 Keys supplied as standard
- Please note all other variations are Special Order

### Overview

Break Point in cylinder for protection against snapping. Cylinder will break at 3rd chamber leaving remaining cylinder in lock.

### Associated Products

EVVA A5 5 Pin Cylinder Blank  
L7605 A5 Blank



Product Code	A Side	B Side	Finish	Keyed	Length	Mfr Ref.	Mechanism
L19584	46mm	56mm	Nickel Plated	KD	102mm	A5 DZ46-56 KD	5 Pin
L20334	27mm	41mm	Nickel Plated	KD	67mm	A5 DZ27-41 KD	5 Pin
L19586	36mm	36mm	Nickel Plated	KD	72mm	A5 DZ36-36 KD	5 Pin
L19585	31mm	51mm	Nickel Plated	KD	82mm	A5 DZ31-51 KD	5 Pin
L19587	36mm	46mm	Nickel Plated	KD	82mm	A5 DZ36-46 KD	5 Pin
L19589	41mm	41mm	Nickel Plated	KD	82mm	A5 DZ41-41 KD	5 Pin
L19588	36mm	56mm	Nickel Plated	KD	92mm	A5 DZ36-56 KD	5 Pin
L19590	41mm	51mm	Nickel Plated	KD	92mm	A5 DZ41-51 KD	5 Pin
L19591	41mm	61mm	Nickel Plated	KD	92mm	A5 DZ41-61 KD	5 Pin
L19592	46mm	51mm	Nickel Plated	KD	97mm	A5 DZ46-51 KD	5 Pin



kite 

I STAR CYLINDER

Security just reached new heights...



SNAP  
RESISTANT



ANTI-BUMP



ANTI-DRILL



ANTI-PICK

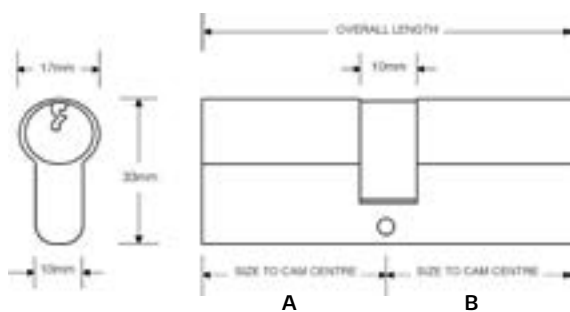


BS Kitemarked

[www.asec.co.uk](http://www.asec.co.uk)



## ASEC Kite BS 1 Star Kitemarked Euro Double Cylinder



### Features

- Drill Resistant - Configuration
- Pick Resistance - Provided by special driver profile
- Bump Resistant - BKP device fitted as standard.
- Snap Resistant - When used in conjunction with 2\* furniture
- BSI Kitemarked - Guarantee quality and safety.
- 1 star rating meets security standard BS EN 1303:2005 TS007 2012

### Overview

The new Kite 1 star cylinder range includes cylinders offering a TS007 1 Star rating, which will give protection and reassurance to end users. The cylinders are snap resistant (when used in conjunction with 2\* security furniture), anti-bump, anti-pick and anti-drill are compliant with the BS Kitemark to guarantee quality and performance.

### Associated Products

**ASEC Kite Cylinder Key Blank**  
AS10184 Asec Kite Blank



**ASEC Kite Secure PAS24 2 Star 240mm Lever/Lever Door Furniture**  
AS10000 Chrome - Visi  
AS9998 White - Visi  
AS9999 Gold - Visi

**ASEC Kite Secure PAS24 2 Star 220mm Lever/Lever Door Furniture**  
AS10190 Gold - Visi  
AS10191 Chrome - Visi  
AS10192 White - Visi

Product Code	A Side	B Side	Finish	Keyed	Length	Mechanism
AS10146	40mm	60mm	Nickel Plated	KD	100mm	6 Pin
AS10147	40mm	60mm	Satin Brass	KD	100mm	6 Pin
AS10152	45mm	55mm	Nickel Plated	KD	100mm	6 Pin
AS10153	45mm	55mm	Satin Brass	KD	100mm	6 Pin
AS10158	50mm	50mm	Nickel Plated	KD	100mm	6 Pin
AS10159	50mm	50mm	Satin Brass	KD	100mm	6 Pin
AS10154	45mm	60mm	Nickel Plated	KD	105mm	6 Pin
AS10155	45mm	60mm	Satin Brass	KD	105mm	6 Pin
AS10156	45mm	65mm	Nickel Plated	KD	110mm	6 Pin
AS10157	45mm	65mm	Satin Brass	KD	110mm	6 Pin
AS10126	30mm	30mm	Nickel Plated	KD	60mm	6 Pin
AS10127	30mm	30mm	Satin Brass	KD	60mm	6 Pin
AS10020	30mm	40mm	Nickel Plated	KD	70mm	6 Pin
AS10019	30mm	40mm	Satin Brass	KD	70mm	6 Pin
AS10128	35mm	35mm	Nickel Plated	KD	70mm	6 Pin
AS10129	35mm	35mm	Satin Brass	KD	70mm	6 Pin

Table continues on next page next page...

## ASEC Kite BS 1 Star Kitemarked Euro Double Cylinder (Continued)

Product Code	A Side	B Side	Finish	Keyed	Length	Mechanism
AS10130	35mm	40mm	Nickel Plated	KD	75mm	6 Pin
AS10131	35mm	40mm	Satin Brass	KD	75mm	6 Pin
AS10132	35mm	45mm	Nickel Plated	KD	80mm	6 Pin
AS10133	35mm	45mm	Satin Brass	KD	80mm	6 Pin
AS10138	40mm	40mm	Nickel Plated	KD	80mm	6 Pin
AS10139	40mm	40mm	Satin Brass	KD	80mm	6 Pin
AS10134	35mm	50mm	Nickel Plated	KD	85mm	6 Pin
AS10135	35mm	50mm	Satin Brass	KD	85mm	6 Pin
AS10140	40mm	45mm	Nickel Plated	KD	85mm	6 Pin
AS10141	40mm	45mm	Satin Brass	KD	85mm	6 Pin
AS10136	35mm	55mm	Nickel Plated	KD	90mm	6 Pin
AS10137	35mm	55mm	Satin Brass	KD	90mm	6 Pin
AS10142	40mm	50mm	Nickel Plated	KD	90mm	6 Pin
AS10143	40mm	50mm	Satin Brass	KD	90mm	6 Pin
AS10148	45mm	45mm	Nickel Plated	KD	90mm	6 Pin
AS10149	45mm	45mm	Satin Brass	KD	90mm	6 Pin
AS10144	40mm	55mm	Nickel Plated	KD	95mm	6 Pin
AS10145	40mm	55mm	Satin Brass	KD	95mm	6 Pin
AS10150	45mm	50mm	Nickel Plated	KD	95mm	6 Pin
AS10151	45mm	50mm	Satin Brass	KD	95mm	6 Pin

## ASEC Kite BS 1 Star Kitemarked Euro Key & Turn Cylinder



### Features

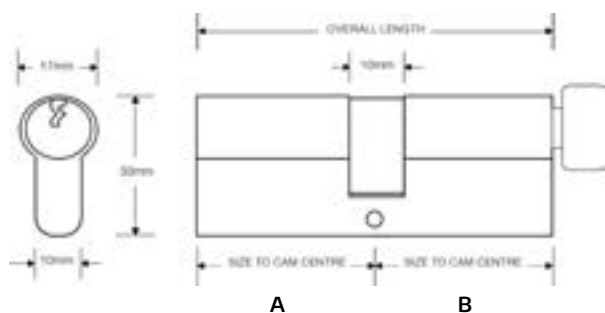
- Drill Resistant - Configuration
- Pick Resistance - Provided by special driver profile
- Bump Resistant - BKP device fitted as standard.
- Snap Resistant - When used in conjunction with 2\* furniture
- BSI Kitemarked - Guarantee quality and safety.
- 1 star rating meets security standard BS EN 1303:2005 TS007 2012

### Overview

The new Kite 1 star cylinder range includes cylinders offering a TS007 1 Star rating, which will give protection and reassurance to end users. The cylinders are snap resistant (when used in conjunction with 2\* security furniture), anti-bump, anti-pick and anti-drill are compliant with the BS Kitemark to guarantee quality and performance.

### Associated Products

ASEC Kite Cylinder Key Blank  
AS10184 Asec Kite Blank



#### ASEC Kite Secure PAS24 2 Star 240mm Lever/Lever Door Furniture

AS10000 Chrome - Visi  
AS9998 White - Visi  
AS9999 Gold - Visi

#### ASEC Kite Secure PAS24 2 Star 220mm Lever/Lever Door Furniture

AS10190 Gold - Visi  
AS10191 Chrome - Visi  
AS10192 White - Visi

Product Code	A Side	B Side	Finish	Keyed	Length	Mechanism
AS10172	45mm	T 55mm	Nickel Plated	KD	100mm	6 Pin
AS10173	45mm	T 55mm	Satin Brass	KD	100mm	6 Pin
AS10022	30mm	T 40mm	Nickel Plated	KD	70mm	6 Pin
AS10021	30mm	T 40mm	Satin Brass	KD	70mm	6 Pin
AS10160	35mm	T 35mm	Nickel Plated	KD	70mm	6 Pin
AS10161	35mm	T 35mm	Satin Brass	KD	70mm	6 Pin
AS10024	40mm	T 30mm	Nickel Plated	KD	70mm	6 Pin
AS10023	40mm	T 30mm	Satin Brass	KD	70mm	6 Pin
AS10164	35mm	T 40mm	Nickel Plated	KD	75mm	6 Pin
AS10165	40mm	T 40mm	Satin Brass	KD	80mm	6 Pin
AS10166	40mm	T 35mm	Nickel Plated	KD	75mm	6 Pin
AS10167	40mm	T 35mm	Satin Brass	KD	75mm	6 Pin
AS10162	40mm	T 40mm	Nickel Plated	KD	80mm	6 Pin
AS10163	40mm	T 40mm	Satin Brass	KD	80mm	6 Pin
AS10170	40mm	T 45mm	Nickel Plated	KD	85mm	6 Pin
AS10171	40mm	T 45mm	Satin Brass	KD	85mm	6 Pin
AS10168	45mm	T 40mm	Nickel Plated	KD	85mm	6 Pin
AS10169	45mm	T 40mm	Satin Brass	KD	85mm	6 Pin

## ASEC Kite Euro Half Cylinder



### Features

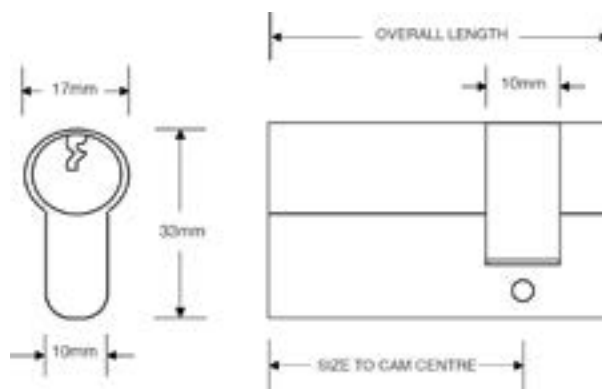
- Drill Resistant - Configuration
- Pick Resistance - Provided by Special driver profile

### Overview

A range of half cylinders to compliment the Asec Kite range of Kitemarked euro double and key & turn cylinders. All cylinders on the Asec Kite range share a profile and therefore can be keyed alike.

### Associated Products

ASEC Kite Cylinder Key Blank  
AS10184      Asec Kite Blank



Product Code	Finish	Keyed	Length	Mechanism	Size To Centre Of Cam
AS10178	Nickel Plated	KD	45mm (35/10)	6 Pin	35mm
AS10179	Satin Brass	KD	45mm (35/10)	6 Pin	35mm
AS10180	Nickel Plated	KD	50mm (40/10)	6 Pin	40mm
AS10181	Satin Brass	KD	50mm (40/10)	6 Pin	40mm
AS10182	Nickel Plated	KD	55mm (45/10)	6 Pin	45mm
AS10183	Satin Brass	KD	55mm (45/10)	6 Pin	45mm

YALE Snap Resistant Euro Double Cylinder



Features

- 6 Pin Replacement Euro Profile cylinder
- BSI Kitemark Approved
- TS007 1 Star Cylinder
- Secured by Design Approved (to TS007 1 star)
- Maximum Security Level
- 10 Year Guarantee

Overview

The AS series offers British Kitemarked TS007:2012 1 star security and has been tested to the British Standard BS EN1303:2005. Developed with additional protective features to strengthen the cylinder, make it harder to grip and protect against cylinder snapping.

Suitable as a replacement product on UPVC, wood and composite doors, this cylinder is Secured by Design approved and recommended for use on doors that require a high level of security against physical and manipulation attacks.

Associated Products

Yale Snap Resistant Cylinder  
Key Blank  
L18345 Nickel Plated



Product Code	A Side	B Side	Finish	Keyed	Length	Mfr Ref.
L18340	40mm	60mm	Nickel Plated	KD	100mm	E40/60 NP
L18335	45mm	55mm	Nickel Plated	KD	100mm	E45/55 NP
L18339	50mm	50mm	Nickel Plated	KD	100mm	E50/50 NP
L18328	35mm	35mm	Nickel Plated	KD	70mm	E35/35 NP
L18330	35mm	35mm	Polished Brass	KD	70mm	E35/35 PB
L18332	35mm	45mm	Nickel Plated	KD	80mm	E35/45 NP
L18334	35mm	45mm	Polished Brass	KD	80mm	E35/45 PB
L18331	40mm	40mm	Nickel Plated	KD	80mm	E40/40 NP
L18337	40mm	40mm	Polished Brass	KD	80mm	E40/40 PB
L18981	45mm	35mm	Nickel Plated	KD	80mm	E45/35 NP
L18980	45mm	35mm	Polished Brass	KD	80mm	E45/35 PB
L18983	45mm	40mm	Nickel Plated	KD	85mm	E45/40 NP
L18982	45mm	40mm	Polished Brass	KD	85mm	E45/40 PB
L18333	40mm	50mm	Nickel Plated	KD	90mm	E40/50 NP
L18329	40mm	50mm	Polished Brass	KD	90mm	E40/50 PB
L18338	45mm	45mm	Nickel Plated	KD	90mm	E45/45 NP
L18986	45mm	45mm	Polished Brass	KD	90mm	E45/45 PB
L18988	50mm	40mm	Nickel Plated	KD	90mm	E50/40 NP
L18987	50mm	40mm	Polished Brass	KD	90mm	E50/40 PB
L18985	55mm	35mm	Nickel Plated	KD	90mm	E55/35 NP
L18984	55mm	35mm	Polished Brass	KD	90mm	E55/35 PB
L18336	40mm	55mm	Nickel Plated	KD	95mm	E40/55 NP
L18992	50mm	45mm	Nickel Plated	KD	90mm	E50/45 NP
L18991	50mm	45mm	Polished Brass	KD	90mm	E50/45 PB
L18990	55mm	40mm	Nickel Plated	KD	95mm	E55/40 NP
L18989	55mm	40mm	Polished Brass	KD	95mm	E55/40 PB

## YALE Snap Resistant Euro Key & Turn Cylinder



### Features

- 6 Pin Replacement Euro Profile cylinder
- BSI Kitemark Approved
- TS007 1 Star Cylinder
- Secured by Design Approved (to TS007 1 star)
- Maximum Security Level
- 10 Year Guarantee

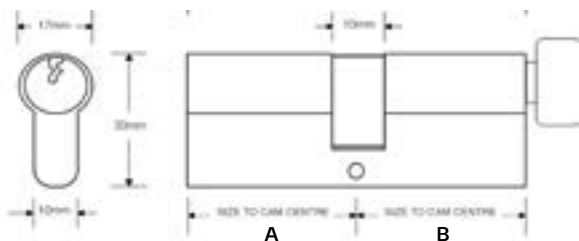
### Overview

The AS series offers British Kitemarked TS007:2012 1 star security and has been tested to the British Standard BS EN1303:2005. Developed with additional protective features to strengthen the cylinder, make it harder to grip and protect against cylinder snapping.

Suitable as a replacement product on PVCu, wood and composite doors, this cylinder is Secured by Design approved and recommended for use on doors that require a high level of security against physical and manipulation attacks.

### Associated Products

Yale Snap Resistant Cylinder  
Key Blank  
L18345 Nickel Plated



Product Code	A Side	B Side	Finish	Keyed	Length	Mfr Ref.
L18343	35mm	T 35mm	Nickel Plated	KD	70mm	E35/K35 NP
L18341	35mm	T 35mm	Polished Brass	KD	70mm	E35/K35 PB
L18342	40mm	T 40mm	Nickel Plated	KD	80mm	E40/K40 NP
L18344	40mm	T 40mm	Polished Brass	KD	80mm	E40/K40 PB

## Cylinders - 1 Star Restricted

## EVVA EPS L111 &amp; S363 Cylinders To Suit Banham Locks



## Features

- Patented & registered system
- Wear & drill resistant
- For EI30 and E30 fire and smoke doors approved to EN 1634-1
- Complies with lock security grade 6 as specified in EN 1303:2005 (highest grade)
- Complies with attack resistance grade 2 as specified in EN 1303:2005 (highest grade)
- When a key is inserted on one side, the door may not be locked from the other side with another key

## Overview

The EPS mechanical locking system (Extended Profile System) is a very economical solution for a cylinder system offering convenience, manageability and a high level of security. The system contains a wide variety of locking elements covering virtually any application and offers legal and technical key protection mechanisms to ensure a high degree of protection against key copying.

Product Code	Finish	Keyed	Mfr Ref.	Mechanism
L22136	Nickel Plated	KA Pair	EPS S363-L111	6 Pin
L22137	Polished Brass	KA Pair	EPS S363-L111	6 Pin
L22135	Nickel Plated	KA Pair	EPS S363-L111	6 Pin
L22138	Polished Brass	KA Pair	EPS S363-L111	6 Pin

## EVVA EPS L111 Cylinder To Suit Banham Rim Locks



## Features

- Patented & registered system
- Wear & drill resistant
- For EI30 and E30 fire and smoke doors approved to EN 1634-1
- Complies with lock security grade 6 as specified in EN 1303:2005 (highest grade)
- Complies with attack resistance grade 2 as specified in EN 1303:2005 (highest grade)
- When a key is inserted on one side, the door may not be locked from the other side with another key

## Overview

The EPS mechanical locking system (Extended Profile System) is a very economical solution for a cylinder system offering convenience, manageability and a high level of security. The system contains a wide variety of locking elements covering virtually any application and offers legal and technical key protection mechanisms to ensure a high degree of protection against key copying.

Product Code	Finish	Keyed	Mfr Ref.	Mechanism
L22134	Polished Brass	KD	EPS L111	6 Pin
L22133	Polished Brass	KD	EPS L111	6 Pin
L22132	Nickel Plated	KD	EPS L111	6 Pin
L22131	Nickel Plated	KD	EPS L111	6 Pin

## EVVA EPS S363KZ K&T Euro Cylinder To Suit Banham Mortice Locks



### Features

- Patented & registered system
- Wear & drill resistant
- For EI30 and E30 fire and smoke doors approved to EN 1634-1
- Complies with lock security grade 6 as specified in EN 1303:2005 (highest grade)
- Complies with attack resistance grade 2 as specified in EN 1303:2005 (highest grade)

### Overview

The EPS mechanical locking system (Extended Profile System) is a very economical solution for a cylinder system offering convenience, manageability and a high level of security. The system contains a wide variety of locking elements covering virtually any application and offers legal and technical key protection mechanisms to ensure a high degree of protection against key copying.

Product Code	Finish	Keyed	Mfr Ref.	Mechanism
L22130	Polished Brass	KD	EPS S363KZ	6 Pin
L22129	Nickel Plated	KD	EPS S363KZ	6 Pin

## EVVA EPS S363 Double Euro Cylinder To Suit Banham Mortice Locks



### Features

- Patented & registered system
- Wear & drill resistant
- For EI30 and E30 fire and smoke doors approved to EN 1634-1
- Complies with lock security grade 6 as specified in EN 1303:2005 (highest grade)
- Complies with attack resistance grade 2 as specified in EN 1303:2005 (highest grade)
- When a key is inserted on one side, the door may not be locked from the other side with another key

### Overview

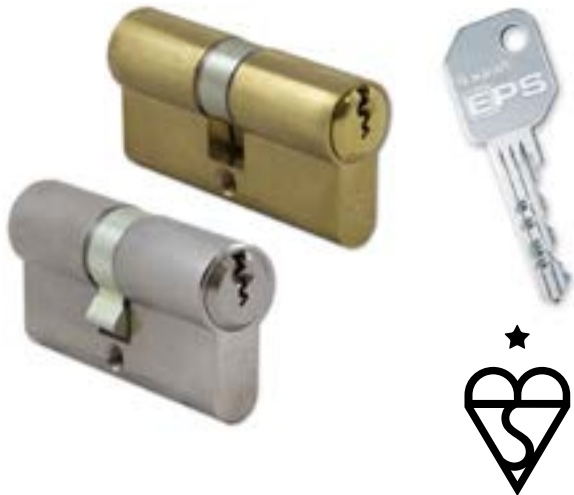
The EPS mechanical locking system (Extended Profile System) is a very economical solution for a cylinder system offering convenience, manageability and a high level of security. The system contains a wide variety of locking elements covering virtually any application and offers legal and technical key protection mechanisms to ensure a high degree of protection against key copying.

Product Code	Finish	Keyed	Mfr Ref.	Mechanism
L22127	Nickel Plated	KD	EPS S363	6 Pin
L22128	Polished Brass	KD	EPS S363	6 Pin



## Cylinders - 1 Star Restricted

## EVVA EPS DZ Double Euro Cylinder



## Features

- Patented & registered system
- Wear & drill resistant
- For EI30 and E30 fire and smoke doors approved to EN 1634-1
- Complies with lock security grade 6 as specified in EN 1303:2005 (highest grade)
- Complies with attack resistance grade 2 as specified in EN 1303:2005 (highest grade)
- When a key is inserted on one side, the door may not be locked from the other side with another key

## Overview

The EPS mechanical locking system (Extended Profile System) is a very economical solution for a cylinder system offering convenience, manageability and a high level of security. The system contains a wide variety of locking elements covering virtually any application and offers legal and technical key protection mechanisms to ensure a high degree of protection against key copying.

Product Code	Finish	Keyed	Mfr Ref.	Mechanism
L22112	Nickel Plated	KD	EPS DZ31/31	6 Pin
L22113	Polished Brass	KD	EPS DZ31/31	6 Pin
L22116	Nickel Plated	KD	EPS DZ36/36	6 Pin
L22117	Polished Brass	KD	EPS DZ36/36	6 Pin
L22120	Nickel Plated	KD	EPS DZ41/41	6 Pin
L22121	Polished Brass	KD	EPS DZ41/41	6 Pin

## EVVA EPS HZ Half Euro Cylinder



## Features

- Patented & registered system
- Wear & drill resistant
- For EI30 and E30 fire and smoke doors approved to EN 1634-1
- Complies with lock security grade 6 as specified in EN 1303:2005 (highest grade)
- Complies with attack resistance grade 2 as specified in EN 1303:2005 (highest grade)
- Dimensions to centre of cam

## Overview

The EPS mechanical locking system (Extended Profile System) is a very economical solution for a cylinder system offering convenience, manageability and a high level of security. The system contains a wide variety of locking elements covering virtually any application and offers legal and technical key protection mechanisms to ensure a high degree of protection against key copying.

Product Code	Finish	Keyed	Length	Mfr Ref.	Mechanism	Size To Centre Of Cam
L22108	Nickel Plated	KD	41mm	EPS HZ/32	6 Pin	32mm
L22109	Polished Brass	KD	41mm	EPS HZ/32	6 Pin	32mm
L22110	Nickel Plated	KD	46mm	EPS HZ/37	6 Pin	37mm
L22111	Polished Brass	KD	46mm	EPS HZ/37	6 Pin	37mm

## EVVA EPS KDZ Key & Turn Euro Cylinder



### Features

- Patented & registered system
- Wear & drill resistant
- For EI30 and E30 fire and smoke doors approved to EN 1634-1
- Complies with lock security grade 6 as specified in EN 1303:2005 (highest grade)
- Complies with attack resistance grade 2 as specified in EN 1303:2005 (highest grade)
- When a key is inserted on one side, the door may not be locked from the other side with another key

### Overview

The EPS mechanical locking system (Extended Profile System) is a very economical solution for a cylinder system offering convenience, manageability and a high level of security. The system contains a wide variety of locking elements covering virtually any application and offers legal and technical key protection mechanisms to ensure a high degree of protection against key copying.

Product Code	Finish	Keyed	Mfr Ref.	Mechanism
L22114	Nickel Plated	KD	EPS KDZ 31/K31	6 Pin
L22115	Polished Brass	KD	EPS KDZ 31/K31	6 Pin
L22118	Nickel Plated	KD	EPS KDZ 36/K36	6 Pin
L22119	Polished Brass	KD	EPS KDZ 36/K36	6 Pin
L22122	Nickel Plated	KD	EPS KDZ 41/K41	6 Pin
L22123	Polished Brass	KD	EPS KDZ 41/K41	6 Pin

## EVVA EPS SC1 Cylinder To Suit Ingersoll Locks



### Features

- Patented & registered system
- Wear & drill resistant
- For EI30 and E30 fire and smoke doors approved to EN 1634-1
- Complies with lock security grade 6 as specified in EN 1303:2005 (highest grade)
- Complies with attack resistance grade 2 as specified in EN 1303:2005 (highest grade)

### Overview

The EPS mechanical locking system (Extended Profile System) is a very economical solution for a cylinder system offering convenience, manageability and a high level of security. The system contains a wide variety of locking elements covering virtually any application and offers legal and technical key protection mechanisms to ensure a high degree of protection against key copying.

Product Code	Finish	Keyed	Mfr Ref.	Mechanism
L22126	Polished Chrome	KD	EPS SC1	6 Pin
L22124	Nickel Plated	KD	EPS SC1	6 Pin
L22125	Polished Brass	KD	EPS SC1	6 Pin

EVVA EPS AZG Rim Cylinder



Features

- Patented & registered system
- Wear & drill resistant
- For EI30 and E30 fire and smoke doors approved to EN 1634-1
- Complies with lock security grade 6 as specified in EN 1303:2005 (highest grade)
- Complies with attack resistance grade 2 as specified in EN 1303:2005 (highest grade)

Overview

The EPS mechanical locking system (Extended Profile System) is a very economical solution for a cylinder system offering convenience, manageability and a high level of security. The system contains a wide variety of locking elements covering virtually any application and offers legal and technical key protection mechanisms to ensure a high degree of protection against key copying.

Product Code	Finish	Keyed	Mfr Ref.	Mechanism
L22105	Polished Brass	KD	EPS AZG	6 Pin
L22104	Nickel Plated	KD	EPS AZG	6 Pin

EVVA EPS RM3 Screw-In Cylinder



Features

- Patented & registered system
- Wear & drill resistant
- For EI30 and E30 fire and smoke doors approved to EN 1634-1
- Complies with lock security grade 6 as specified in EN 1303:2005 (highest grade)
- Complies with attack resistance grade 2 as specified in EN 1303:2005 (highest grade)

Overview

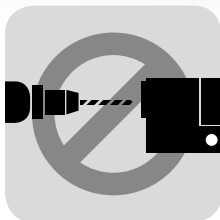
The EPS mechanical locking system (Extended Profile System) is a very economical solution for a cylinder system offering convenience, manageability and a high level of security. The system contains a wide variety of locking elements covering virtually any application and offers legal and technical key protection mechanisms to ensure a high degree of protection against key copying.

Product Code	Finish	Keyed	Mfr Ref.	Mechanism
L22107	Nickel Plated	KA Pair	EPS RM3	6 Pin
L22106	Nickel Plated	KD	EPS RM3	6 Pin

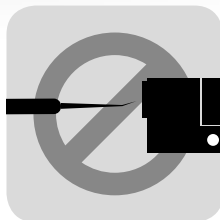
» *The first patented  
restricted modular 3 Star  
Anti-Snap solution  
from EVVA* ◀



- » Modular Design
- » Picking & Drilling protection
- » Anti-Snap unit made of specially hardened steel



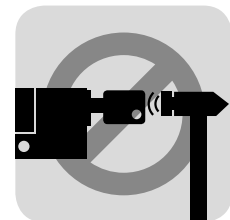
DRILLING



PICKING



SNAPPING



BUMPING

---

[www.evva.co.uk](http://www.evva.co.uk)

ASEC Kite Elite 3 Star Snap Resistant Double Euro Cylinder



Features

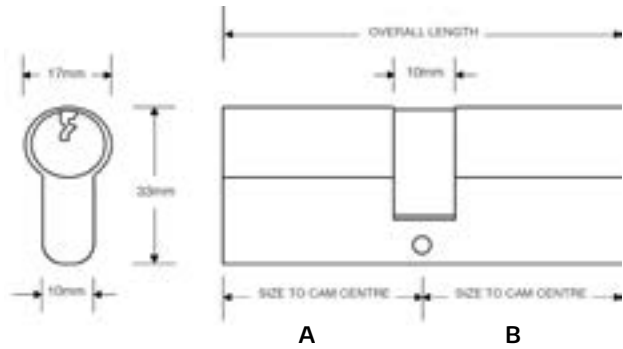
- Snap Resistant - Break away sections
- BSI Kitemarked - Guarantee quality and safety.
- Drill Resistant - Configuration
- 3 star rating meets security standard BS EN 1303:2005 TS007 2012
- Pick Resistance - Provided by special driver profile
- Bump Resistant

Overview

The new Kite Elite range includes cylinders offering a TS007 3 Star rating, which will give protection and reassurance to end users. The cylinders are snap resistant, anti-bump, anti-pick and anti-drill and are compliant with the BS 1303 Kitemark.

Associated Products

ASEC Kite Cylinder Key Blank  
AS10184 Asec Kite Blank



Product Code	A Side	B Side	Finish	Keys Supplied	Length
AS10364	40mm Breakaway Side	60mm	Nickel Plated	3	100mm
AS10365	40mm Breakaway Side	60mm	Satin Brass	3	100mm
AS10374	45mm Breakaway Side	55mm	Nickel Plated	3	100mm
AS10375	45mm Breakaway Side	55mm	Satin Brass	3	100mm
AS10382	50mm Breakaway Side	50mm	Nickel Plated	3	100mm
AS10383	50mm Breakaway Side	50mm	Satin Brass	3	100mm
AS10376	55mm Breakaway Side	45mm	Nickel Plated	3	100mm
AS10377	55mm Breakaway Side	45mm	Satin Brass	3	100mm
AS10366	60mm Breakaway Side	40mm	Nickel Plated	3	100mm
AS10367	60mm Breakaway Side	40mm	Satin Brass	3	100mm
AS10378	45mm Breakaway Side	60mm	Nickel Plated	3	105mm
AS10379	45mm Breakaway Side	60mm	Satin Brass	3	105mm
AS10380	60mm Breakaway Side	45mm	Nickel Plated	3	105mm
AS10381	60mm Breakaway Side	45mm	Satin Brass	3	105mm
AS10332	35mm Breakaway Side	35mm	Nickel Plated	3	70mm
AS10333	35mm Breakaway Side	35mm	Satin Brass	3	70mm
AS10334	35mm Breakaway Side	40mm	Nickel Plated	3	75mm
AS10335	35mm Breakaway Side	40mm	Satin Brass	3	75mm

Table continues on next page next page...

## ASEC Kite Elite 3 Star Snap Resistant Double Euro Cylinder (Continued)

Product Code	A Side	B Side	Finish	Keys Supplied	Length
AS10336	40mm Breakaway Side	35mm	Nickel Plated	3	75mm
AS10337	40mm Breakaway Side	35mm	Satin Brass	3	75mm
AS10338	35mm Breakaway Side	45mm	Nickel Plated	3	80mm
AS10339	35mm Breakaway Side	45mm	Satin Brass	3	80mm
AS10350	40mm Breakaway Side	40mm	Nickel Plated	3	80mm
AS10351	40mm Breakaway Side	40mm	Satin Brass	3	80mm
AS10340	45mm Breakaway Side	35mm	Nickel Plated	3	80mm
AS10341	45mm Breakaway Side	35mm	Satin Brass	3	80mm
AS10342	35mm Breakaway Side	50mm	Nickel Plated	3	85mm
AS10343	35mm Breakaway Side	50mm	Satin Brass	3	85mm
AS10352	40mm Breakaway Side	45mm	Nickel Plated	3	85mm
AS10353	40mm Breakaway Side	45mm	Satin Brass	3	85mm
AS10354	45mm Breakaway Side	40mm	Nickel Plated	3	85mm
AS10355	45mm Breakaway Side	40mm	Satin Brass	3	85mm
AS10344	50mm Breakaway Side	35mm	Nickel Plated	3	85mm
AS10345	50mm Breakaway Side	35mm	Satin Brass	3	85mm
AS10346	35mm Breakaway Side	55mm	Nickel Plated	3	90mm
AS10347	35mm Breakaway Side	55mm	Satin Brass	3	90mm
AS10356	40mm Breakaway Side	50mm	Nickel Plated	3	90mm
AS10357	40mm Breakaway Side	50mm	Satin Brass	3	90mm
AS10368	45mm Breakaway Side	45mm	Nickel Plated	3	90mm
AS10369	45mm Breakaway Side	45mm	Satin Brass	3	90mm
AS10358	50mm Breakaway Side	40mm	Nickel Plated	3	90mm
AS10359	50mm Breakaway Side	40mm	Satin Brass	3	90mm
AS10348	55mm Breakaway Side	35mm	Nickel Plated	3	90mm
AS10349	55mm Breakaway Side	35mm	Satin Brass	3	90mm
AS10360	40mm Breakaway Side	55mm	Nickel Plated	3	95mm
AS10361	40mm Breakaway Side	55mm	Satin Brass	3	95mm
AS10370	45mm Breakaway Side	50mm	Nickel Plated	3	95mm
AS10371	45mm Breakaway Side	50mm	Satin Brass	3	95mm
AS10372	50mm Breakaway Side	45mm	Nickel Plated	3	95mm
AS10373	50mm Breakaway Side	45mm	Satin Brass	3	95mm
AS10362	55mm Breakaway Side	40mm	Nickel Plated	3	95mm
AS10363	55mm Breakaway Side	40mm	Satin Brass	3	95mm

ASEC Kite Elite 3 Star Snap Resistant Euro Key & Turn Cylinder



Features

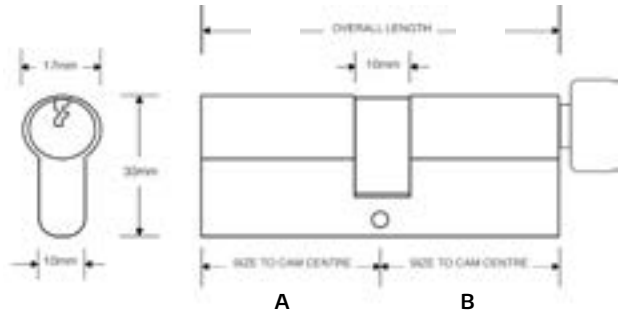
- 3 star rating meets security standard BS EN 1303:2005 TS007 2012
- Pick Resistance - Provided by special driver profile
- Snap Resistant - Break away sections
- Bump Resistant
- BSI Kitemarked - Guarantee quality and safety
- Drill Resistant - Configuration

Overview

The new Kite Elite range includes cylinders offering a TS007 3 Star rating, which will give protection and reassurance to end users. The cylinders are snap resistant, anti-bump, anti-pick and anti-drill and are compliant with the BS 1303 Kitemark to guarantee quality and performance.

Associated Products

ASEC Kite Cylinder Key Blank  
AS10184 Asec Kite Blank



Product Code	A Side	B Side	Finish	Keyed	Length	Mechanism
AS10384	35mm Breakaway Side	35mm Turn Side	Nickel Plated	KD	70mm	6 Pin
AS10385	35mm Breakaway Side	35mm Turn Side	Satin Brass	KD	70mm	6 Pin
AS10388	35mm Breakaway Side	40mm Turn Side	Nickel Plated	KD	75mm	6 Pin
AS10390	40mm Breakaway Side	35mm Turn Side	Nickel Plated	KD	75mm	6 Pin
AS10386	40mm Breakaway Side	40mm Turn Side	Nickel Plated	KD	80mm	6 Pin
AS10394	40mm Breakaway Side	45mm Turn Side	Nickel Plated	KD	85mm	6 Pin
AS10389	40mm Breakaway Side	45mm Turn Side	Satin Brass	KD	85mm	6 Pin
AS10392	45mm Breakaway Side	40mm Turn Side	Nickel Plated	KD	85mm	6 Pin
AS10391	45mm Breakaway Side	40mm Turn Side	Satin Brass	KD	85mm	6 Pin
AS10387	45mm Breakaway Side	45mm Turn Side	Satin Brass	KD	90mm	6 Pin
AS10395	45mm Breakaway Side	50mm Turn Side	Satin Brass	KD	95mm	6 Pin
AS10393	50mm Breakaway Side	45mm Turn Side	Satin Brass	KD	95mm	6 Pin
AS10396	45mm Breakaway Side	55mm Turn Side	Nickel Plated	KD	100mm	6 Pin
AS10453	55mm Breakaway Side	45mm Turn Side	Nickel Plated	KD	100mm	6 Pin
AS10468	55mm Breakaway Side	45mm Turn Side	Satin Brass	KD	100mm	6 Pin
AS10397	50mm Breakaway Side	60mm Turn Side	Satin Brass	KD	110mm	6 Pin



ANTI-SNAP CYLINDER

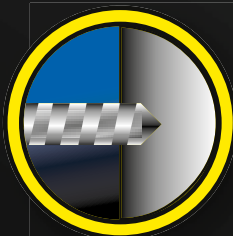
Security just reached new heights...



ANTI-SNAP



ANTI-BUMP



ANTI-DRILL



ANTI-PICK



BS Kitemarked

[www.asec.co.uk](http://www.asec.co.uk)



## Cylinders - 3 Star Restricted

## EVVA EPS 3 Star Snap Resistant Euro Double Cylinder

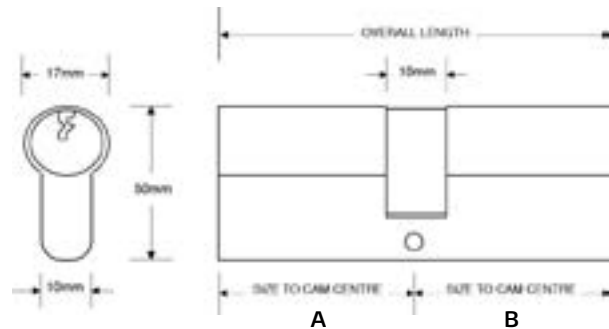


## Features

- Snap Resistant - Break away sections
- Bump, Drill & Pick Resistant
- BSI Kitemarked - Guarantee quality and safety
- 3 star rating meets security standard BS EN 1303:2005 TS007 2012
- Supplied with 3 keys & security card

## Overview

The new Evva EPS Kitemarked TS 007 3\* Rated cylinders offer the best protection available. They have a high resistance to bumping, snapping, picking and drilling, are supplied with 3 keys and a key duplication security card.



Product Code	A Side	B Side	Finish	Keyed	Length	Mfr Ref.	Mechanism
L23724	41mm	61mm	Nickel Plated	KD	102mm	DZ41/61	6 Pin
L23725	41mm	61mm	Polished Brass	KD	102mm	DZ41/61	6 Pin
L23734	46mm	56mm	Nickel Plated	KD	102mm	DZ46/56	6 Pin
L23735	46mm	56mm	Polished Brass	KD	102mm	DZ46/56	6 Pin
L23745	51mm	51mm	Nickel Plated	KD	102mm	DZ51/51	6 Pin
L23746	51mm	51mm	Polished Brass	KD	102mm	DZ51/51	6 Pin
L23751	56mm	46mm	Nickel Plated	KD	102mm	DZ56/46	6 Pin
L23752	56mm	46mm	Polished Brass	KD	102mm	DZ56/46	6 Pin
L23753	61mm	41mm	Nickel Plated	KD	102mm	DZ61/41	6 Pin
L23754	61mm	41mm	Polished Brass	KD	102mm	DZ61/41	6 Pin
L23736	46mm	61mm	Nickel Plated	KD	107mm	DZ46/61	6 Pin
L23737	46mm	61mm	Polished Brass	KD	107mm	DZ46/61	6 Pin
L23755	61mm	46mm	Nickel Plated	KD	107mm	DZ61/46	6 Pin
L23756	61mm	46mm	Polished Brass	KD	107mm	DZ61/46	6 Pin
L23712	41mm	31mm	Nickel Plated	KD	72mm	DZ41/31	6 Pin
L23713	41mm	31mm	Polished Brass	KD	72mm	DZ41/31	6 Pin
L23714	41mm	36mm	Nickel Plated	KD	77mm	DZ41/36	6 Pin
L23715	41mm	36mm	Polished Brass	KD	77mm	DZ41/36	6 Pin
L23716	41mm	41mm	Nickel Plated	KD	82mm	DZ41/41	6 Pin
L23717	41mm	41mm	Polished Brass	KD	82mm	DZ41/41	6 Pin
L23726	46mm	36mm	Nickel Plated	KD	82mm	DZ46/36	6 Pin
L23727	46mm	36mm	Polished Brass	KD	82mm	DZ46/36	6 Pin
L23718	41mm	46mm	Nickel Plated	KD	87mm	DZ41/46	6 Pin

Table continues on next page next page...

## EVVA EPS 3 Star Snap Resistant Euro Double Cylinder (Continued)

Product Code	A Side	B Side	Finish	Keyed	Length	Mfr Ref.	Mechanism
L23719	41mm	46mm	Polished Brass	KD	87mm	DZ41/46	6 Pin
L23728	46mm	41mm	Nickel Plated	KD	87mm	DZ46/41	6 Pin
L23729	46mm	41mm	Polished Brass	KD	87mm	DZ46/41	6 Pin
L23738	51mm	36mm	Nickel Plated	KD	87mm	DZ51/36	6 Pin
L23739	51mm	36mm	Polished Brass	KD	87mm	DZ51/36	6 Pin
L23720	41mm	51mm	Nickel Plated	KD	92mm	DZ41/51	6 Pin
L23721	41mm	51mm	Polished Brass	KD	92mm	DZ41/51	6 Pin
L23730	46mm	46mm	Nickel Plated	KD	92mm	DZ46/46	6 Pin
L23731	46mm	46mm	Polished Brass	KD	92mm	DZ46/46	6 Pin
L23741	51mm	41mm	Nickel Plated	KD	92mm	DZ51/41	6 Pin
L23742	51mm	41mm	Polished Brass	KD	92mm	DZ51/41	6 Pin
L23747	56mm	36mm	Nickel Plated	KD	92mm	DZ56/36	6 Pin
L23748	56mm	36mm	Polished Brass	KD	92mm	DZ56/36	6 Pin
L23722	41mm	56mm	Nickel Plated	KD	97mm	DZ41/56	6 Pin
L23723	41mm	56mm	Polished Brass	KD	97mm	DZ41/56	6 Pin
L23732	46mm	51mm	Nickel Plated	KD	97mm	DZ46/51	6 Pin
L23733	46mm	51mm	Polished Brass	KD	97mm	DZ46/51	6 Pin
L23743	51mm	46mm	Nickel Plated	KD	97mm	DZ51/46	6 Pin
L23744	51mm	46mm	Polished Brass	KD	97mm	DZ51/46	6 Pin
L23749	56mm	41mm	Nickel Plated	KD	97mm	DZ56/41	6 Pin
L23750	56mm	41mm	Polished Brass	KD	97mm	DZ56/41	6 Pin

## EVVA EPS 3 Star Snap Resistant Euro Key & Turn Cylinder

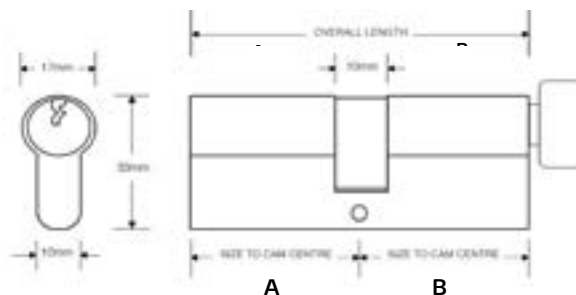


### Features

- Snap Resistant - Break away sections
- Bump, Drill & Pick Resistant
- BSI Kitemarked - Guarantee quality and safety
- 3 star rating meets security standard BS EN 1303:2005 TS007 2012
- Supplied with 3 keys & security card

### Overview

The new Evva EPS Kitemarked TS 007 3\* Rated cylinders offer the best protection available. They have a high resistance to bumping, snapping, picking and drilling, are supplied with 3 keys and a key duplication security card.



Product Code	A Side	B Side	Finish	Keyed	Length	Mfr Ref.	Mechanism
L23769	41mm	T 61mm	Nickel Plated	KD	102mm	KDZ41/K61	6 Pin
L23770	41mm	T 61mm	Polished Brass	KD	102mm	KDZ41/K61	6 Pin
L23777	46mm	T 56mm	Nickel Plated	KD	102mm	KDZ46/K56	6 Pin
L23778	46mm	T 56mm	Polished Brass	KD	102mm	KDZ46/K56	6 Pin
L23785	51mm	T 51mm	Nickel Plated	KD	102mm	KDZ51/K51	6 Pin
L23786	51mm	T 51mm	Polished Brass	KD	102mm	KDZ51/K51	6 Pin
L23793	56mm	T 46mm	Nickel Plated	KD	102mm	KDZ56/K46	6 Pin
L23794	56mm	T 46mm	Polished Brass	KD	102mm	KDZ56/K46	6 Pin
L23801	61mm	T 41mm	Nickel Plated	KD	102mm	KDZ61/K41	6 Pin
L23802	61mm	T 41mm	Polished Brass	KD	102mm	KDZ61/K41	6 Pin
L23779	46mm	T 61mm	Nickel Plated	KD	107mm	KDZ46/K61	6 Pin
L23780	46mm	T 61mm	Polished Brass	KD	107mm	KDZ46/K61	6 Pin
L23787	51mm	T 56mm	Nickel Plated	KD	107mm	KDZ51/K56	6 Pin
L23788	51mm	T 56mm	Polished Brass	KD	107mm	KDZ51/K56	6 Pin
L23795	56mm	T 51mm	Nickel Plated	KD	107mm	KDZ56/K51	6 Pin
L23796	56mm	T 51mm	Polished Brass	KD	107mm	KDZ56/K51	6 Pin
L23803	61mm	T 46mm	Nickel Plated	KD	107mm	KDZ61/K46	6 Pin
L23804	61mm	T 46mm	Polished Brass	KD	107mm	KDZ61/K46	6 Pin
L23789	51mm	T 61mm	Nickel Plated	KD	112mm	KDZ51/K61	6 Pin
L23790	51mm	T 61mm	Polished Brass	KD	112mm	KDZ51/K61	6 Pin
L23797	56mm	T 56mm	Nickel Plated	KD	112mm	KDZ56/K56	6 Pin
L23798	56mm	T 56mm	Polished Brass	KD	112mm	KDZ56/K56	6 Pin
L23805	61mm	T 51mm	Nickel Plated	KD	112mm	KDZ61/K51	6 Pin

Table continues on next page next page...

## EVVA EPS 3 Star Snap Resistant Euro Key &amp; Turn Cylinder (Continued)

Product Code	A Side	B Side	Finish	Keyed	Length	Mfr Ref.	Mechanism
L23806	61mm	T 51mm	Polished Brass	KD	112mm	KDZ61/K51	6 Pin
L23799	56mm	T 61mm	Nickel Plated	KD	117mm	KDZ56/K61	6 Pin
L23800	56mm	T 61mm	Polished Brass	KD	117mm	KDZ56/K61	6 Pin
L23807	61mm	T 56mm	Nickel Plated	KD	117mm	KDZ61/K56	6 Pin
L23808	61mm	T 56mm	Polished Brass	KD	117mm	KDZ61/K56	6 Pin
L23809	61mm	T 61mm	Nickel Plated	KD	122mm	KDZ61/K61	6 Pin
L23810	61mm	T 61mm	Polished Brass	KD	122mm	KDZ61/K61	6 Pin
L23757	41mm	T 31mm	Nickel Plated	KD	72mm	KDZ41/K31	6 Pin
L23758	41mm	T 31mm	Polished Brass	KD	72mm	KDZ41/K31	6 Pin
L23759	41mm	T 36mm	Nickel Plated	KD	77mm	KDZ41/K36	6 Pin
L23760	41mm	T 36mm	Polished Brass	KD	77mm	KDZ41/K36	6 Pin
L23761	41mm	T 41mm	Nickel Plated	KD	82mm	KDZ41/K41	6 Pin
L23762	41mm	T 41mm	Polished Brass	KD	82mm	KDZ41/K41	6 Pin
L23763	41mm	T 46mm	Nickel Plated	KD	87mm	KDZ41/K46	6 Pin
L23764	41mm	T 46mm	Polished Brass	KD	87mm	KDZ41/K46	6 Pin
L23771	46mm	T 41mm	Nickel Plated	KD	87mm	KDZ46/K41	6 Pin
L23772	46mm	T 41mm	Polished Brass	KD	87mm	KDZ46/K41	6 Pin
L23765	41mm	T 51mm	Nickel Plated	KD	92mm	KDZ41/K51	6 Pin
L23766	41mm	T 51mm	Polished Brass	KD	92mm	KDZ41/K51	6 Pin
L23773	46mm	T 46mm	Nickel Plated	KD	92mm	KDZ46/K46	6 Pin
L23774	46mm	T 46mm	Polished Brass	KD	92mm	KDZ46/K46	6 Pin
L23781	51mm	T 41mm	Nickel Plated	KD	92mm	KDZ51/K41	6 Pin
L23782	51mm	T 41mm	Polished Brass	KD	92mm	KDZ51/K41	6 Pin
L23767	41mm	T 56mm	Nickel Plated	KD	97mm	KDZ41/K56	6 Pin
L23768	41mm	T 56mm	Polished Brass	KD	97mm	KDZ41/K56	6 Pin
L23775	46mm	T 51mm	Nickel Plated	KD	97mm	KDZ46/K51	6 Pin
L23776	46mm	T 51mm	Polished Brass	KD	97mm	KDZ46/K51	6 Pin
L23783	51mm	T 46mm	Nickel Plated	KD	97mm	KDZ51/K46	6 Pin
L23784	51mm	T 46mm	Polished Brass	KD	97mm	KDZ51/K46	6 Pin
L23791	56mm	T 41mm	Nickel Plated	KD	97mm	KDZ56/K41	6 Pin
L23792	56mm	T 41mm	Polished Brass	KD	97mm	KDZ56/K41	6 Pin



- Wide range of over 2,000 products
- Responsive mobile site
- Technical support and advice via integrated form
- Detailed product information



Have a question about our products or security?  
Visit our website [www.asec.co.uk](http://www.asec.co.uk) - showcasing the full product range,  
across a sleek and responsive interface. Alternatively, email  
[info@asec.co.uk](mailto:info@asec.co.uk) and we'll provide the answers you need!

**Try it today!**  
**[www.asec.co.uk](http://www.asec.co.uk)**

# Panic Hardware

---

Panic Latch	<b>418 - 422</b>
Panic Bolt	<b>422 - 426</b>
Outside Access Device	<b>426 - 430</b>
Alarm	<b>430 - 431</b>
Break Glass Bolt	<b>432 - 434</b>
Emergency Key Box	<b>434 - 435</b>
Miscellaneous	<b>436</b>

## EXIDOR 500 Euro Lever Operated UPVC Door Exit Device



### Features

- CE Marked for safety
- Reversible

Product Code	Finish	Mfr Ref.
L18732	Dull Metal Grey	500/LEC
L22579	White	500/LEC

## EXIDOR 523 3 Point Horizontal Pullman UPVC Door Panic Bolt



### Features

- Easy Automatic Handing - Non Handed
- CE Marked for safety
- Standard Bolts & Latches
- Horizontal Pullman Catches
- Various keep options available for different door styles
- Cross bar

### Overview

The Exidor 500 series Panic and Emergency Exit Hardware Range products are certified to the European CEN Standards EN 179 and EN 1125 and offer a design that gives optimum safety and security with a modern style

Product Code	Finish	Type	Mfr Ref.
L21664	White	Bar	523-B/UD (Bar)
L18731	White	Pad	513-P/UD (Pad)

## ASEC Panic Latch



### Features

- For use on single doors or first opening leaf of a pair of doors
- With rebated meeting styles, where a vertical bolt is fitted to the other leaf
- Supplied left or right handed (can be reversed on site)
- Double door strike is required for double doors
- The Door leaf must not be over 2500mm high x 1300mm wide 200kg

### Overview

A single push bar panic latch supplied handed but can be reversed to EN1125:2008

Product Code	Finish
AS3101	Silver Enamelled
AS3102	Silver Enamelled

ASEC Push Pad Panic Latch



Features

- Suitable for use on single doors and the first opening leaf of double rebated door applications
- Supplied left or right hand (can be reversed on site)
- Includes fixing pack for timber and metal door sets

Overview

A push Pad panic latch to BS EN 179:2008 Ideal for single doors but the door leaf must not exceed 2500mm high x 1300mm wide x 200kg weight max.

Product Code	Finish	Handed
AS3105	Silver Enamelled	Left Hand
AS3106	Silver Enamelled	Right Hand

BRITON 1438E Push Pad Panic Latch



Features

- Suitable for use on single doors and the first opening leaf of double rebated door applications
- Supplied left or right hand (can be reversed on site)
- Includes fixing pack for timber and metal door sets

Associated Products

BRITON 378DDSSE Strike To Suit 378E, 377E & 1438E L8844 SE - Double Door

Product Code	Finish	Handed	Mfr Ref.
2296	Silver Enamelled	Left Hand	1438E
2297	Silver Enamelled	Right Hand	1438E

BRITON 378E Panic Latch



Features

- For use on single doors or first opening leaf of a pair of doors with rebated meeting styles, where a vertical bolt is fitted to the other leaf
- Supplied left or right handed (can be reversed on site)

Associated Products

BRITON 378DDSSE Strike To Suit 378E, 377E & 1438E L8844 SE - Double Door

Product Code	Finish	Handed	Mfr Ref.
L4084	Silver Enamelled	Left Hand	378E
L4085	Silver Enamelled	Right Hand	378E



BRITON 379EN Panic Latch



Features

- Automatic security without affecting safety
- Panic operator supplied with mortice nightlatch
- Supplied right hand but can be reversed on site
- Anti-thrust device and dual profile lockcase accepts both and oval profile cylinders (cylinder not supplied)

Product Code	Finish	Mfr Ref.
L9575	Silver Enamelled	379EN

EXIDOR 296 Panic Latch



Features

- For use on single doors or first opening leaf of a pair of doors with rebated meeting styles where a vertical bolt is fitted to the other leaf
- Can be operated by a rim cylinder fitted to the outside of the door

Product Code	Finish	Mfr Ref.
L11573	Silver Enamelled	296

EXIDOR 297 Push Pad Panic Latch



Features

- Suitable for use on single doors and the first opening leaf of double rebated doors applications
- Can be operated by a rim cylinder fitted to the outside of the door

Product Code	Finish	Mfr Ref.
L11572	Silver Enamelled	297

### EXIDOR 400 Touch Bar Panic Latch



#### Features

- Exidor deadlock latch is non handed
- CE marked for safety
- Surface mounted
- Deadlocking latch bolt

Product Code	Finish	Mfr Ref.
L11571	Silver Enamelled	400

### UNION Eximo J-PL803N Single Door Panic Latch



#### Features

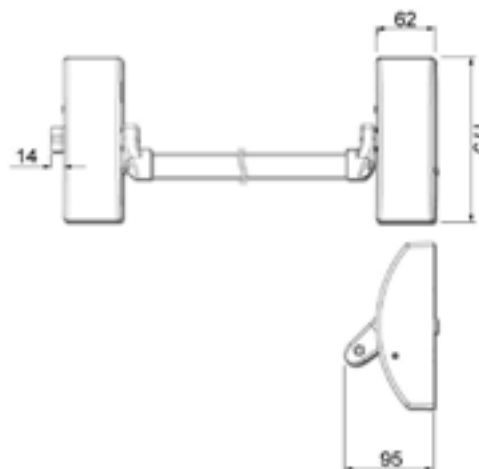
- Easily reversible for use on left or right handed doors
- CE marked and tested to EN 1125
- Tested to over 200,000 cycles
- Non-handed for maximum flexibility
- Suitable for push face of outward opening doors
- Fittings to suit timber doors supplied

#### Overview

With varying levels of security the single door panic latch and bolt products are to be used in public areas, offering simple exiting solutions that can be quickly and easily operated if panic occurs.

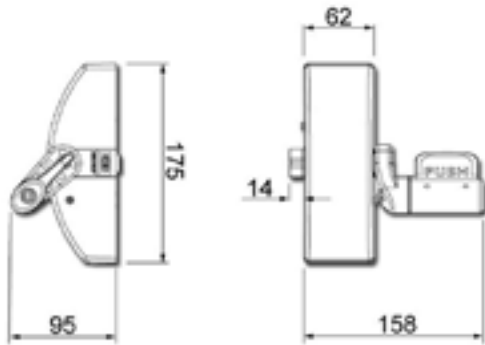
#### Associated Products

- UNION Eximo J-OADK805N Knob Operated OAD Outside Access Device
- L22628 With Cylinder
  - L22630 No Cylinder
  - L22627 With Cylinder
  - L22629 No Cylinder



Product Code	Mfr Ref.
L22621	J-PL803N-SIL-WMM

## UNION Eximo J-PP804N Push Pad Panic Latch



## Features

- Suitable for push face of outward opening doors
- Fittings to suit timber doors supplied
- For areas not accessed by the public where panic is not foreseen
- Non-handed for maximum flexibility
- Downward pressure on push pad withdraws the latch bolt
- Complete with signage and pictorial fixing instructions

## Overview

The push pad panic latch is for use on single doors where panic is not anticipated, as the door is only used by people who are aware of the emergency exit and device fitted.

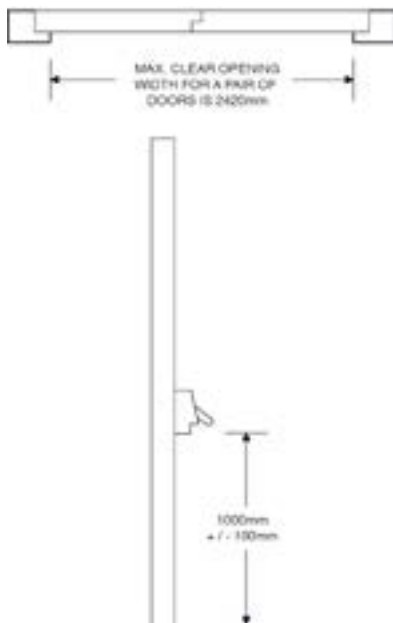
## Associated Products

UNION Eximo J-OADK805N Knob Operated OAD Outside Access Device

- L22628 With Cylinder
- L22630 No Cylinder
- L22627 With Cylinder
- L22629 No Cylinder

Product Code	Finish	Handed	Mfr Ref.
L22623	Silver	Reversible	J-PP804N-SIL-WMM

## ASEC Double Rebated Panic Bolt Set



## Features

- Supplied left or right hand, but can be reversed on site
- Rim panic latch for first opening leaf
- Single panic bolt for second opening leaf
- Double door strike to secure the rim panic latch

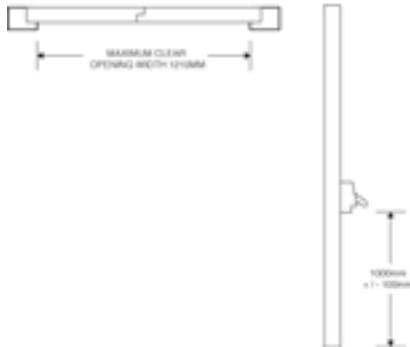
## Overview

Double rebated panic bolt/latch set to EN1125:2008. To comply with the standard the maximum size per door leaf is 2500mm high x 1300mm wide x 200kg in weight. There must be a maximum clear opening width of 2420mm. This set is intended for use on a double leaf outward opening fire escape route doors.



Product Code	Finish	Handed
AS3103	Silver Enamelled	Left Hand
AS3104	Silver Enamelled	Right Hand

ASEC Single Panic Bolt



Features

- Anti-thrust device and automatic top catch to release bolt into secure position when door is closed
- Self handing for use on single and double door applications

Overview

A single panic bolt to EN:1125:2008 to fit a door with a maximum clear width of 1210mm and no larger than 2500mm high x 1300 wide x 200kg



Product Code	Finish
AS3100	Silver Enamelled

BRITON 372E Push Pad Vertical Bolt



Features

- Pad operated vertical bolt
- Anti thrust device - prevents unauthorised retraction of the latch bolt
- Adjustable top and bottom shoots

Product Code	Finish
L00024	Silver Enamelled

BRITON 376E Single Panic Bolt



Features

- Anti-thrust device and automatic top catch to release bolt into secure position when door is closed
- Self handing for use on single and double door applications

Associated Products

BRITON 9260 Digital Lock Outside Access Device  
L22048 Stainless Steel (discontinued)

Product Code	Finish	Mfr Ref.
L4082	Silver Enamelled	376E

## Panic Hardware - Panic Bolt

## BRITON 377E Push Bar Double Rebated Door Panic Set



### Features

- Supplied left or right hand, but can be reversed on site
- Double door strike to secure the rim panic latch
- Supplied left or right hand, but can be reversed on site

### Overview

The Briton 377E is a push bar double rebated door panic set suitable for doors with maximum dimensions of 2500mm high x 1300mm wide. This product is designed for use on double rebated door sets, and features a two point locking device for additional security and an "anti-thrust" device which prevents unauthorised retraction of the latch bolt. The 377E, furthermore, has adjustable top and bottom shoots, and is supplied with an easy clean socket.

### Associated Products

BRITON 378DDSSE Strike To Suit 378E, 377E & 1438E  
L8844 SE - Double Door

Product Code	Finish	Handed	Mfr Ref.
L9491	Silver Enamelled	Left Handed	377E
L9492	Silver Enamelled	Right Handed	377E

## EXIDOR 285 Double Rebated Panic Bolt Set



### Features

- Includes Exidor 296 panic latch for first opening leaf
- Includes Exidor 294 single panic bolt for second opening leaf
- Includes 300 box keep to secure the panic latch

Product Code	Finish	Mfr Ref.
L11574	Silver Enamelled	285

## EXIDOR 294 Single Panic Bolt

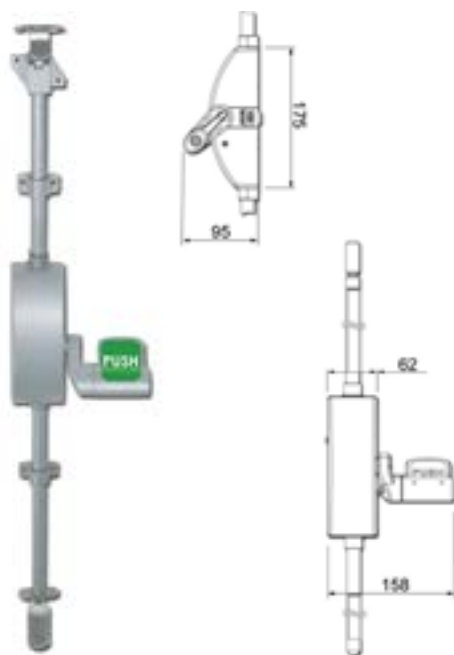


### Features

- Automatic top catch and easy clean floor socket as standard
- The main body is fitted with an anti-thrust device which prevents leverage of both top and bottom shoots from their sockets

Product Code	Finish	Mfr Ref.
L11575	Silver Enamelled	294

UNION Eximo J-EPB808N Push Pad Panic Bolt



Features

- Easily reversible for use on left or right handed doors
- CE marked and tested to EN 179
- Suitable for push face of outward opening doors
- Fittings to suit timber doors supplied
- Tested to over 200,000 cycles
- Spring Loaded Socket Securely locates bottom rod and prevents ingress of dirt

Overview

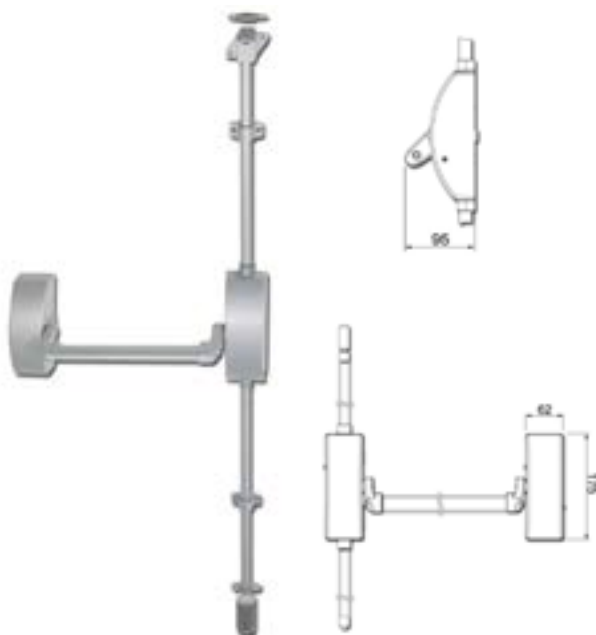
The multi point locking product for use on single doors where panic is not anticipated, as the door is only used by people who are aware of the emergency exit and device fitted.

Associated Products

- UNION Eximo J-OADK805N Knob Operated OAD Outside Access Device
- L22628 With Cylinder
  - L22630 No Cylinder
  - L22627 With Cylinder
  - L22629 No Cylinder

Product Code	Finish	Mfr Ref.
L22625	Silver	J-EPB808N-SIL-WMM

UNION Eximo J-PB801N Single Door Panic Bolt



Features

- Easily reversible for use on left or right handed doors
- CE marked and tested to EN 1125
- Tested to over 200,000 cycles
- Suitable for push face of outward opening doors
- May be used on double doors with non-rebated meeting styles (2 x PB801N)

Overview

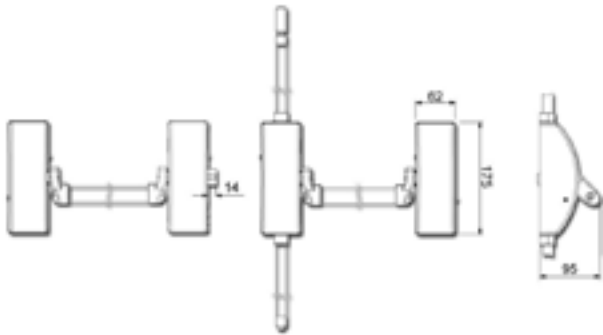
With varying levels of security the single door panic latch and bolt products are to be used in public areas, offering simple exiting solutions that can be quickly and easily operated if panic occurs.

Associated Products

- UNION Eximo J-OADK805N Knob Operated OAD Outside Access Device
- L22628 With Cylinder
  - L22630 No Cylinder
  - L22627 With Cylinder
  - L22629 No Cylinder

Product Code	Mfr Ref.
L22617	J-PB801N-SIL-WMM

UNION Eximo J-PD802N Double Door Panic Bolt Set



Features

- For doors in buildings accessed by the public where panic can be foreseen
- Suitable for push face of outward opening doors
- For use on double doors with rebated meeting styles
- Fittings to suit timber doors supplied
- Ease of adjustment in main units by means of top and bottom adjustable locator units
- Non-handed for maximum flexibility

Overview

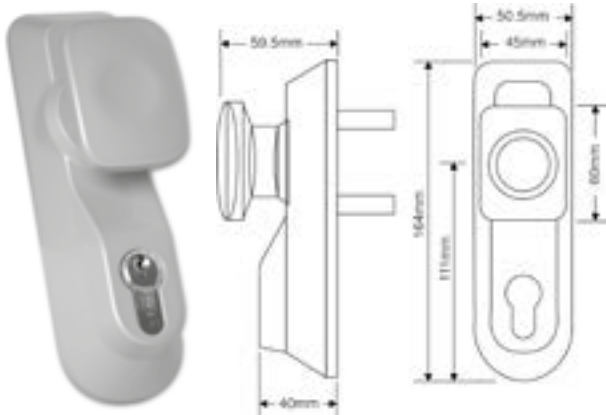
For use on double rebated doors in a public area, the double rebated door set allows safe and effective exiting with minimal effort without prior knowledge of Overview.

Associated Products

- UNION Eximo J-OADK805N Knob Operated OAD  
 Outside Access Device  
 L22628 With Cylinder  
 L22630 No Cylinder  
 L22627 With Cylinder  
 L22629 No Cylinder

Product Code	Mfr Ref.
L22619	J-PD802N-SIL-WMM

ASEC Knob Operated Outside Access Device



Features

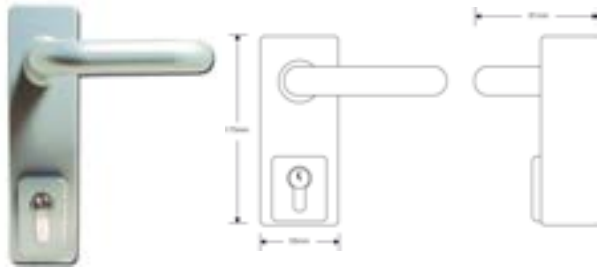
- Improved grip on knob for wet conditions
- Supplied complete with Cisa Euro cylinder
- Suitable for doors between 40mm and 70mm thick
- Fixing suitable for timber and metal doors
- Cylinder can be changed if being used in conjunction with a master keyed system

Overview

Outside knob operated access device for use with Asec panic hardware.

Product Code	Finish
AS3108	Silver Enamelled

ASEC Lever Operated Outside Access Device



Features

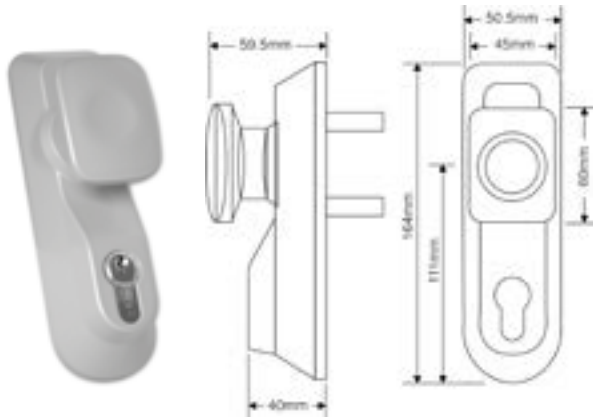
- Lever handle supplied loose to allow easy handing
- Supplied complete with Cisa Euro cylinder
- Supplied for doors between 40 and 70mm thick
- Fixing suitable for timber and metal doors

Overview

Outside lever operated access device for use with Asec panic hardware.

Product Code	Finish	Handed	Mfr Ref.
AS3107	Silver Enamelled	Reversible	AS3107

BRITON 1413EKE Knob Operated Outside Access Device



Features

- Knob with improved grip in wet conditions
- Supplied complete with Euro cylinder
- Suitable for doors between 40mm and 70mm thick
- Fixing suitable for timber and metal door sets
- Can be keyed alike in house

Associated Products

- BRITON 581 Slimline Push Pad Panic Latch
- L22046 Silver Enamel
- L22047 Black

Product Code	Finish	Mfr Ref.
L11870	Silver Enamelled	1413EKE

BRITON 1413ELE Lever Operated Outside Access Device



Features

- Lever handle
- Supplied loose to allow easy on site handing
- Supplied with Euro profile cylinder
- Suitable for doors between 40mm and 70mm thick
- Fixing suitable for timber and metal door sets
- Can be keyed alike in house

Associated Products

- BRITON 581 Slimline Push Pad Panic Latch
- L22046 Silver Enamel
- L22047 Black

Product Code	Finish	Mfr Ref.
L11876	Silver Enamelled	1413ELE



## EXIDOR 298SE Knob Operated Outside Access Device



#### Features

---

- Concealed fixing
- To suit wood and metal doors

Product Code	Finish	Mfr Ref.
L15364	Silver Enamelled	298SE

## EXIDOR 302 Knob Operated Outside Access Device



#### Features

---

- Complete with Euro cylinder
- Suitable for doors up to 70mm thick

Product Code	Finish	Mfr Ref.
L11569	Silver Enamelled	302SE

## EXIDOR 322SE Euro Outside Access Device



#### Features

---

- Non handed
- Meets the dimensional requirements of BS8300 and approved Document "M" (DDA)
- Lever is supplied with special shear screw designed to break under excessive force
- Surface mounted on the outside of the door using three concealed machine screws
- Same fixing points as the 302 OAD - easy retro fit
- Supplied as standard for doors up to 55mm thick

Product Code	Finish	Mfr Ref.
L17477	Silver Enamelled	332SE

EXIDOR 410 Lever Operated Outside Access Device



Features

- Complete with Euro cylinder
- Suitable for doors up to 70mm thick

Product Code	Finish	Mfr Ref.
L11568	Silver Enamelled	410SE

UNION Eximo J-OADK805N Knob Operated OAD Outside Access Device



Features

- Suitable for the external face of outward opening doors
- Suitable for doors between 38-70mm thick
- Concealed fixings
- Fittings to suit timber doors supplied
- Non-handed for maximum flexibility
- Sprung knob withdraws latches/bolts when key has authorised access

Overview

A spring loaded knob operated Outside Access Device (OAD) to be used in combination with any of the exit devices, for use on emergency exit doors to allow access from the outside, without compromising the buildings security.

Associated Products

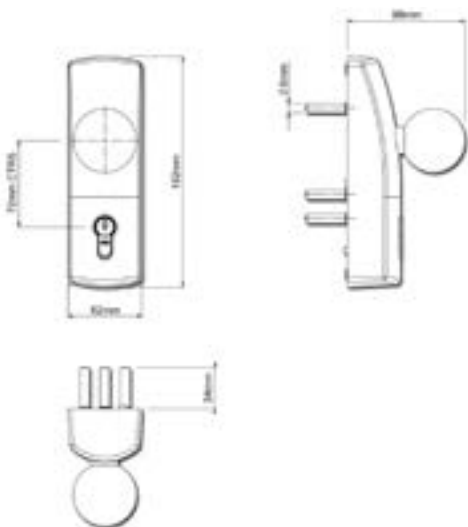
UNION Eximo J-EPB808N Push Pad Panic Bolt  
L22625 Silver - Timber Fixing

UNION Eximo J-PP804N Push Pad Panic Latch  
L22623 Silver - Timber Fixing

UNION Eximo J-PL803N Single Door Panic Latch  
L22621 Silver - Timber Fixing

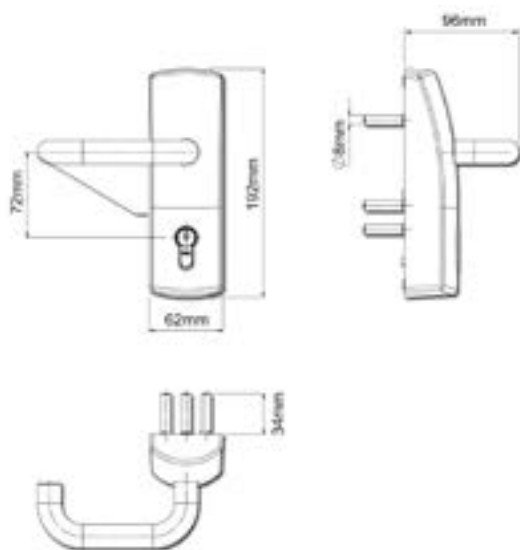
UNION Eximo J-PD802N Double Door Panic Bolt Set  
L22619 Silver - Timber Fixing

UNION Eximo J-PB801N Single Door Panic Bolt  
L22617 Silver - Timber Fixing



Product Code	Finish	Mfr Ref.	Spindle
L22630	Silver	J-OADK805N-SILMM	8mm
L22628	Silver	J-OADK805N-SILMM	8mm

## UNION Eximo J-OADL805N Lever Operated OAD Outside Access Device



### Features

- Suitable for the external face of outward opening doors
- Suitable for doors between 38-70mm thick
- Concealed fixings
- Fittings to suit timber doors supplied
- Non-handed for maximum flexibility
- Sprung lever withdraws latches/bolts when key has authorised access

### Overview

A spring loaded lever operated Outside Access Device (OAD) to be used in combination with any of the exit devices, for use on emergency exit doors to allow access from the outside, without compromising the buildings security.

### Associated Products

**UNION Eximo J-EPB808N Push Pad Panic Bolt**  
L22625 Silver - Timber Fixing (new product)

**UNION Eximo J-PP804N Push Pad Panic Latch**  
L22623 Silver - Timber Fixing

**UNION Eximo J-PL803N Single Door Panic Latch**  
L22621 Silver - Timber Fixing

**UNION Eximo J-PD802N Double Door Panic Bolt Set**  
L22619 Silver - Timber Fixing

**UNION Eximo J-PB801N Single Door Panic Bolt**  
L22617 Silver - Timber Fixing

Product Code	Finish	Mfr Ref.	Spindle
L22629	Silver	J-OADL805N-SILMM	8mm
L22627	Silver	J-OADLC805N-SILMM	8mm

## COOPERBOLT 120 Series Panic Bolt Alarm



### Features

- Self contained vertical panic bolt alarm - battery operated
- Alarm sounds immediately when the door is opened
- Alarm silenced only by key holder

Product Code	Finish	Handed	Mfr Ref.
1391	Silver	Left Hand	120LH
1422	Silver	Right Hand	120RH

COOPERBOLT 130 Series Door Alarm



Features

- Self contained alarm unit
- Simply fits to the door
- Reed switch fitted inside the unit and a magnet in a separate keep complete the kit
- Standard fit available in right hand or left hand

Product Code	Finish	Handed	Mfr Ref.
L10347	Silver	Left Hand	130LH
L10346	Silver	Right Hand	130RH

COOPERBOLT Alarmed Door Bolt 103 Series



Features

- Alarmed emergency bolt for outward opening doors
- Push pad Overview releases bolt, activates alarm & opens door
- Model 103S includes key operated on/off switch to de-activate the alarm allowing access without alarm sounding
- Box keeps available to special order
- Reset key resets bolt & silences alarm
- Supplied with screws, flat keep, batteries and door sign

Product Code	Finish	Mfr Ref.
L8462	Silver	103S
6650	Silver	103

REDLAM P8034 Keep Plate To Suit Redlam Bolt



Features

- Flat keep to suit Redlam bolt

Product Code	Finish	Mfr Ref.
L4209	Steel	P8034

## REGINA Glass Tube To Suit Redlam Bolt



### Features

- Ceramic tubes are also available

### Overview

A breakable glass tube for use with Redlam Bolt break glass bolts.

### Associated Products

THOMAS GLOVER P8022 Ceramic "Break" Tube  
L4109 Ceramic (To suit Redlam)

THOMAS GLOVER 32951 Redlam Mk2 Break Glass Bolt  
3345 Silver

THOMAS GLOVER 32207 Redlam Mk1 Break Glass Bolt  
3343 Silver

Product Code	Finish
9454	Glass

## THOMAS GLOVER 32207 Redlam Mk1 Break Glass Bolt



### Features

- Manufactured from cast iron aluminium
- Economical solution of providing reliable security for internal emergency exits
- Designed for emergency exit single doors
- Designed to produce no sharp edges when smashed.
- Supplied complete with hammer and chain

### Overview

Manufactured from cast aluminium, Redlam panic bolts are the economical solution to the problem of providing reliable security for internal emergency exits.

### Associated Products

THOMAS GLOVER P8022 Ceramic "Break" Tube  
L4109 Ceramic (To suit Redlam)

REGINA Glass Tube To Suit Redlam Bolt  
9454 Glass

REDLAM P8034 Keep Plate To Suit Redlam Bolt  
L4209 NP

DAD Decayeux 499-100 Emergency Break Glass Hammer  
L4095 NP

Product Code	Handed	Mfr Ref.
3343	Non-Handed	32207

THOMAS GLOVER 32951 Redlam Mk2 Break Glass Bolt



**Features**

- Manufactured from cast iron aluminium
- Operates on one side of the door by breaking the Ceramtube™ and on the other side of the door by pushing the knob
- Designed to produce no sharp edges when smashed.
- Designed for interconnecting emergency exit doors
- Supplied complete with hammer and chain

**Overview**

Designed for interconnecting emergency exit doors. Operates on one side of the door by breaking the Ceramtube™ and on the other side of the door by pushing the knob.

Manufactured from cast aluminium, Redlam panic bolts are the economical solution to the problem of providing reliable security for internal emergency exits.

**Associated Products**

THOMAS GLOVER P8022 Ceramic "Break" Tube  
L4109 Ceramic (To suit Redlam)

REGINA Glass Tube To Suit Redlam Bolt  
9454 Glass

REDLAM P8034 Keep Plate To Suit Redlam Bolt  
L4209 NP

DAD Decayeux 499-100 Emergency Break Glass Hammer  
L4095 NP

Product Code	Handed	Mfr Ref.
3345	Non-Handed	32951

THOMAS GLOVER P8022 Ceramic "Break" Tube



**Features**

- Designed to produce no sharp edges when smashed
- Packed in boxes of twenty.

**Overview**

Replacement cartridges for both Mk I and Mk II Redlam panic bolts.

**Associated Products**

REGINA Glass Tube To Suit Redlam Bolt  
9454 Glass

Product Code	Finish	Mfr Ref.
L4109	Ceramic	P8022

## DAD Decayeux 499-100 Emergency Break Glass Hammer



### Features

- To suit emergency key boxes

### Overview

Break glass hammer, designed for use with emergency key boxes and emergency break glass bolts.

### Associated Products

ROTTNER Spare Glass To Suit Emergency Key Box  
L16500 Glass

ROTTNER NSK-1 Emergency Key Box  
L16499 RED

Product Code	Finish	Mfr Ref.
L4095	Steel	499-100

## DAD Decayeux 621-144 Emergency Key Box



### Features

- Made of steel in a red gloss finish
- Designed to hold a safety key for boiler rooms, lifts and emergency exits
- Glass breaking hammer sold separately

### Overview

Red coated steel break glass box to contain an emergency key.

### Associated Products

DAD Decayeux 499-100 Emergency Break Glass Hammer  
L4095 NP

DAD Decayeux Emergency Key Box Spare Glass  
L22498 Single Glass

Product Code	Finish	Mfr Ref.
L4094	Red	621-144

GLENDENNING Emergency Key Box

Glendenning



Features

- Easily visible red colour
- Spare polystyrene available
- White "Break Glass For Key" text on polystyrene

Overview

An emergency key holder where you must break the polystyrene to gain access to the key.

Associated Products

GLENDENNING Spare Polystyrene To Suit Emergency Key Box  
6876 Polystyrene

DAD Decayeux 499-100 Emergency Break Glass Hammer  
L4095 NP

Product Code	Finish
3368	Red

GLENDENNING Spare Polystyrene To Suit Emergency Key Box

Glendenning



Features

- White "Break Glass For Key" text on polystyrene

Overview

Spare polystyrene for the emergency key holder.

Associated Products

GLENDENNING Emergency Key Box  
3368 Red

DAD Decayeux 499-100 Emergency Break Glass Hammer  
L4095 NP

Product Code	Finish
6876	Glass

BRITON 376 ELT Extra Long Top Shoot Bolts

Briton



Features

- Extends to 1950mm

Product Code	Finish	Mfr Ref.
L17339	Grey	376ELTS-SE



## BRITON 378DDSSE Strike To Suit 378E, 377E &amp; 1438E

**Briton****Features**

- Strike to suit 378E, 377E & 1438E
- Screw Fixed

Product Code	Finish	Mfr Ref.
L8844	Silver Enamelled	378DDSSE

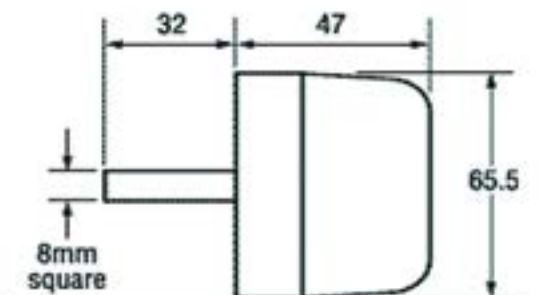
## UNION 8070 &amp; 8071 Emergency Exit Dome &amp; Turn

**Features**

- Designed for use with mortice escape deadlocks such as Union 21572
- Supplied c/w self adhesive vinyl sign and fixing screws (excluding dome only)

**Overview**

Emergency Exit Dome &amp; Turn covers



Product Code	Finish	Mfr Ref.	Notes
10136	Arcylic	8070/1	Dome Only
L14365	Arcylic	8071	Oval / Euro Cover
2028	Arcylic	8070	Turn & Cover

» Door

# Electronic

---

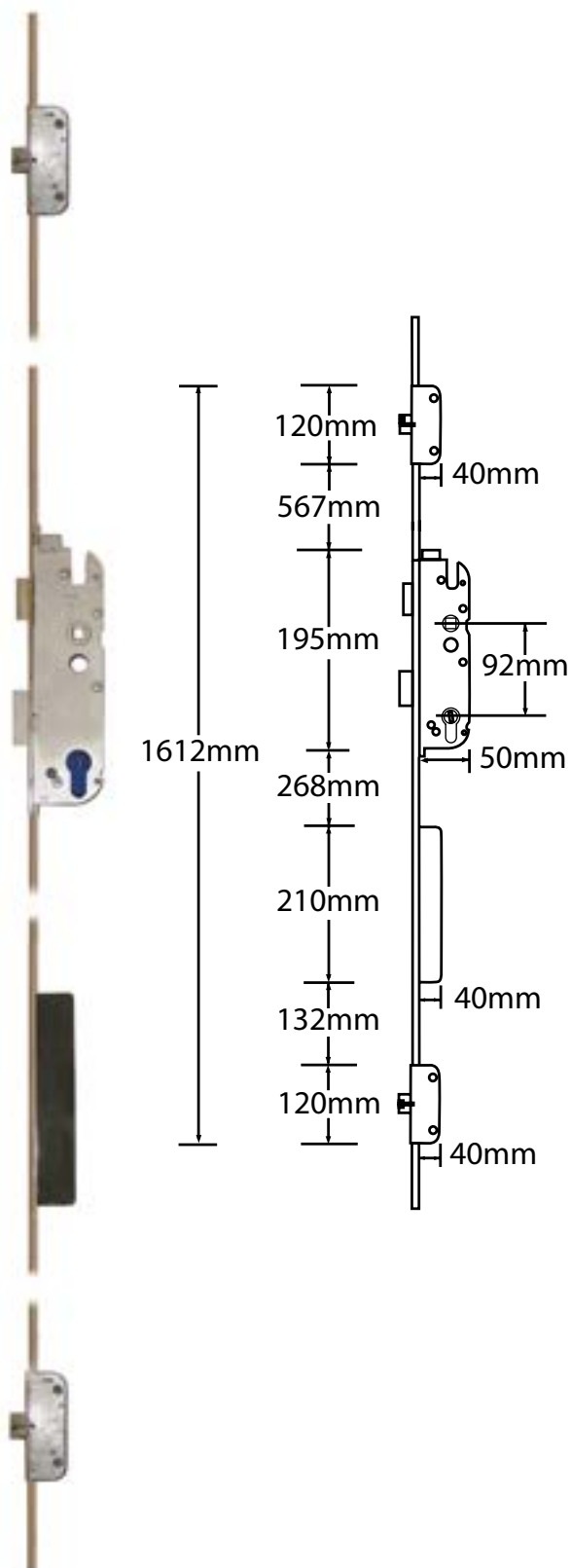
Full Units	<b>438 - 445</b>
Handle	<b>446 - 452</b>
Keeps	<b>453 - 455</b>
Mortice Release	<b>456</b>
Power Supply Unit	<b>456</b>
Accessories	<b>457 - 458</b>

ERA Electronic Latch & Deadbolt - 2 Deadbolt



Door

Electronic



Features

- Electronically Operated
- Keywind Operation
- Latch & Deadbolt
- 16mm Faceplate

Overview

Unit automatically locks when the door is closed, unlocks with key, inside handle or electrical input.

Operation

A - Lift lever to engage locking mechanisms and then one full turn of the cylinder to lock. One full turn of the key then push down on the lever to unlock.

Associated Products

CHAMELEON Pro Adaptable Door Handle

- CH30025 White
- CH30026 Silver
- CH30027 Polished Silver
- CH30028 Gold
- CH30068 Black



page 312

ASEC Boxed Power Supply

- AS9101 12VDC 2 Amp



page 456

HOPPE Lever / Pad Fixing Plate

- L16401 Lever Pad Fixing Plate



page 385

For Keeps please refer to pages 453-455

Product Code	Backset	Centres	Spindle	Centre Case	Mfr Ref.	Deadbolts
L20515	35mm	92mm	Single	Latch & Deadbolt	5435 00 ELEC	2
L20516	55mm	92mm	Single	Latch & Deadbolt	5455 80 ELEC	2

GU A-Opener Electric Multipoint Lock - 2 Deadbolt



Features

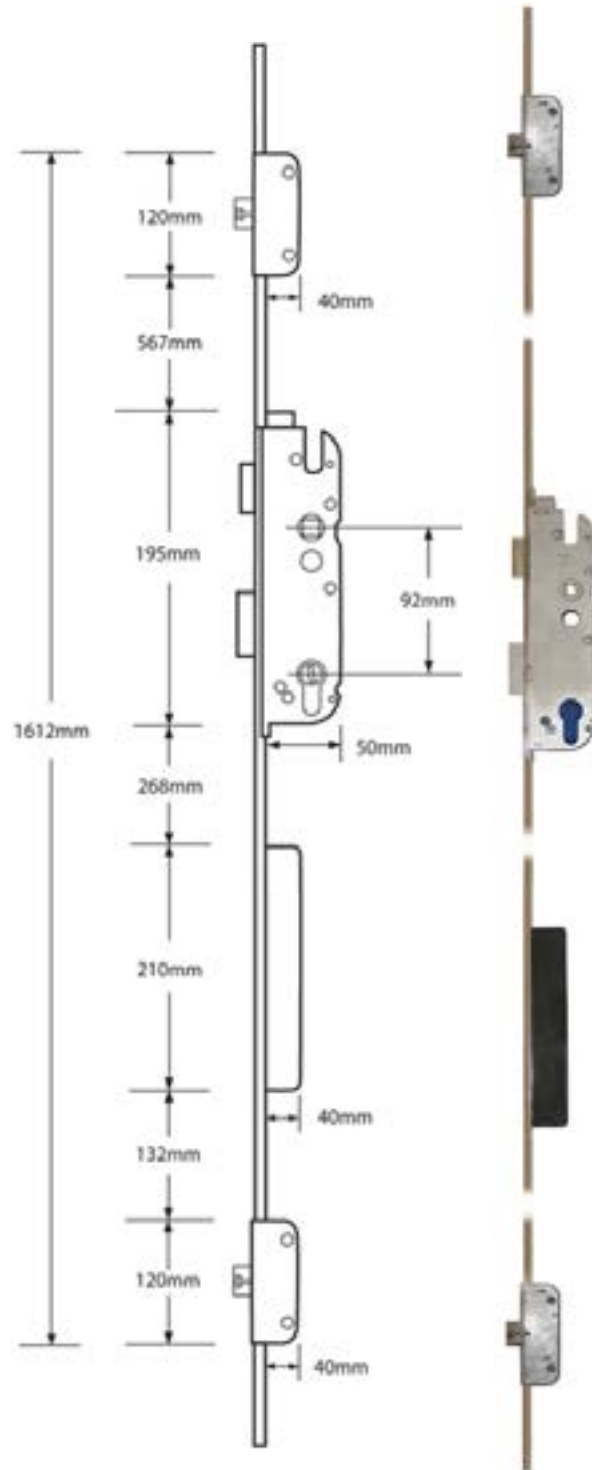
- Euro Profile Lock Case
- Latch & Deadbolt
- Keywind Operation
- Automatically locks when the door is closed
- 16mm Faceplate

Notes

Items are now sold separate:  
 L24348 - Secury Auto A2 1050 Multipoint Lock - 2 Deadlocks  
 L24347 - Secury Automatic Universal Motor

Operation

A - Lift lever to engage locking mechanisms and then one full turn of the cylinder to lock. One full turn of the key then push down on the lever to unlock



Associated Products

CHAMELEON Pro Adaptable Door Handle

- CH30025 White
- CH30026 Silver
- CH30027 Polished Silver
- CH30028 Gold
- CH30068 Black



page 312

ASEC Boxed Power Supply

- AS9101 12VDC 2 Amp



page 456

HOPPE Lever / Pad Fixing Plate

- L16401 Lever Pad Fixing Plate

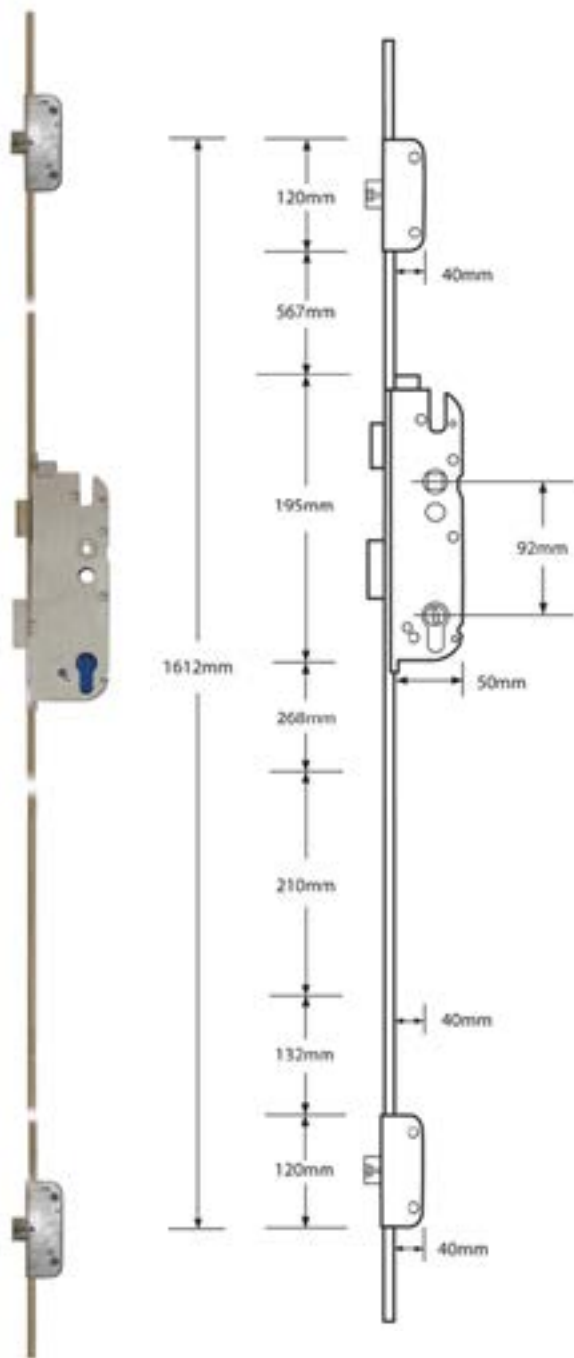


page 385

For Keeps please refer to pages 453-455

Product Code	Backset	Centres	Spindle	Centre Case	Mfr Ref.	Deadbolts
L16403	35mm	92mm	Single	Latch & Deadbolt	6 29037 31 01	2

## GU Secury Auto A2 1050 Multipoint Lock - 2 Deadbolts



### Features

- Automatically locks when the door is closed
- Single spindle
- Euro profile lock case
- 16mm or 20mm wide faceplate
- Latch & deadbolt
- Keywind operation

### Overview

The GU Secury Automatic A2 1050 is a lever operated single spindle multipoint lock system with a Euro profile lock case and 92mm centres. This unit incorporates keywind operation and will lock automatically when the door is closed.

### Operation

The unit automatically locks when the door is closed, the centre case deadbolt only operates on turn of key. The unit unlocks on the turn of the key or the use of the inside lever.

### Associated Products

#### CHAMELEON Pro Adaptable Door Handle

- CH30025 White
- CH30026 Silver
- CH30027 Polished Silver
- CH30028 Gold
- CH30068 Black



page  
312

#### ASEC Boxed Power Supply

- AS9101 12VDC 2 Amp



page  
456

#### GU Secury Automatic Universal Motor

- L24347 K-18153-01-0-0



page  
457

#### HOPPE Lever / Pad Fixing Plate

- L16401 Lever Pad Fixing Plate



page  
385

For Keeps please refer to pages 453-455

Product Code	Backset	Centres	Spindle	Mfr Ref.	Deadbolts	Faceplate Width
L24348	35mm	92mm	Single	6-29037-31-01	2	16mm
L24334	45mm	92mm	Single	6-29041-31-0-1	2	16mm
L24335	45mm	92mm	Single	6-29042-31-0-1	2	20mm
L24336	55mm	92mm	Single	6-32258-CQ-0-1	2	20mm

GU Secury Auto A2 1770 Multipoint Lock - 2 Deadbolts



Features

- Automatically locks when the door is closed
- Single spindle
- Euro profile lock case
- 20mm wide faceplate
- Latch & deadbolt
- Keywind operation

Overview

The GU Secury Automatic A2 1770 is a lever operated single spindle multipoint lock system with a Euro profile lock case, 92mm centres and a 20mm wide radius faceplate. This unit incorporates keywind operation and will lock automatically when the door is closed.

Operation

The unit automatically locks when the door is closed, the centre case deadbolt only operates on turn of key. The unit unlocks on the turn of the key, the inside lever or supply of control voltage.

Associated Products

CHAMELEON Pro Adaptable Door Handle

- CH30025 White
- CH30026 Silver
- CH30027 Polished Silver
- CH30028 Gold
- CH30068 Black



page 312

ASEC Boxed Power Supply

- AS9101 12VDC 2 Amp



page 456

GU Secury Automatic Universal Motor

- L24347 K-18153-01-0-0



page 457

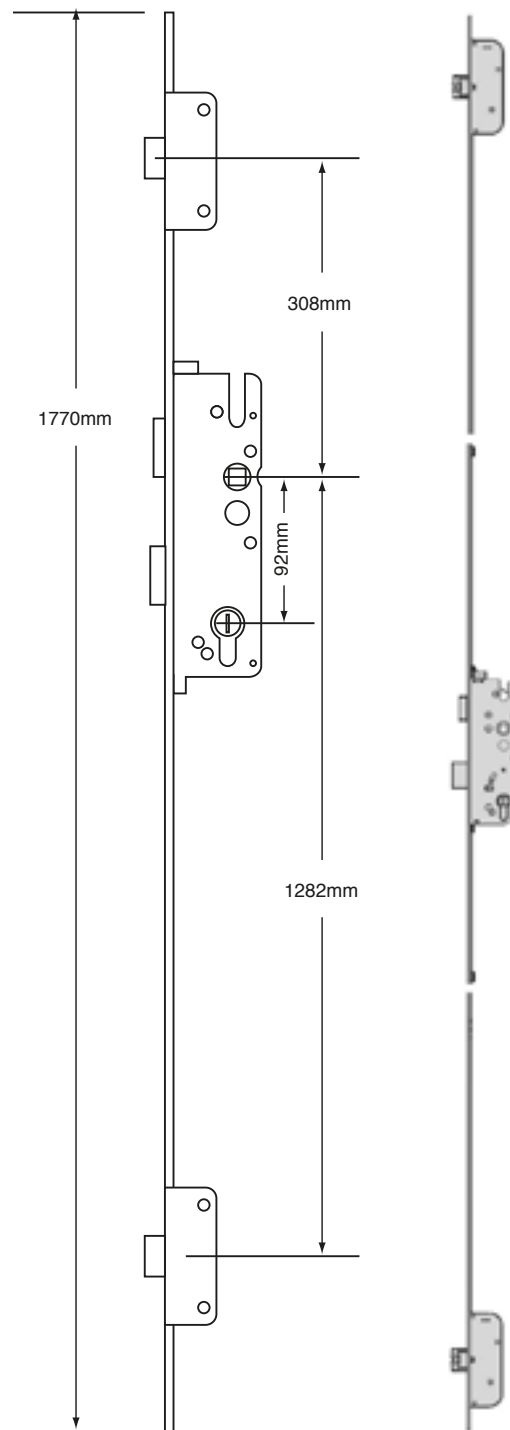
HOPPE Lever / Pad Fixing Plate

- L16401 Lever Pad Fixing Plate



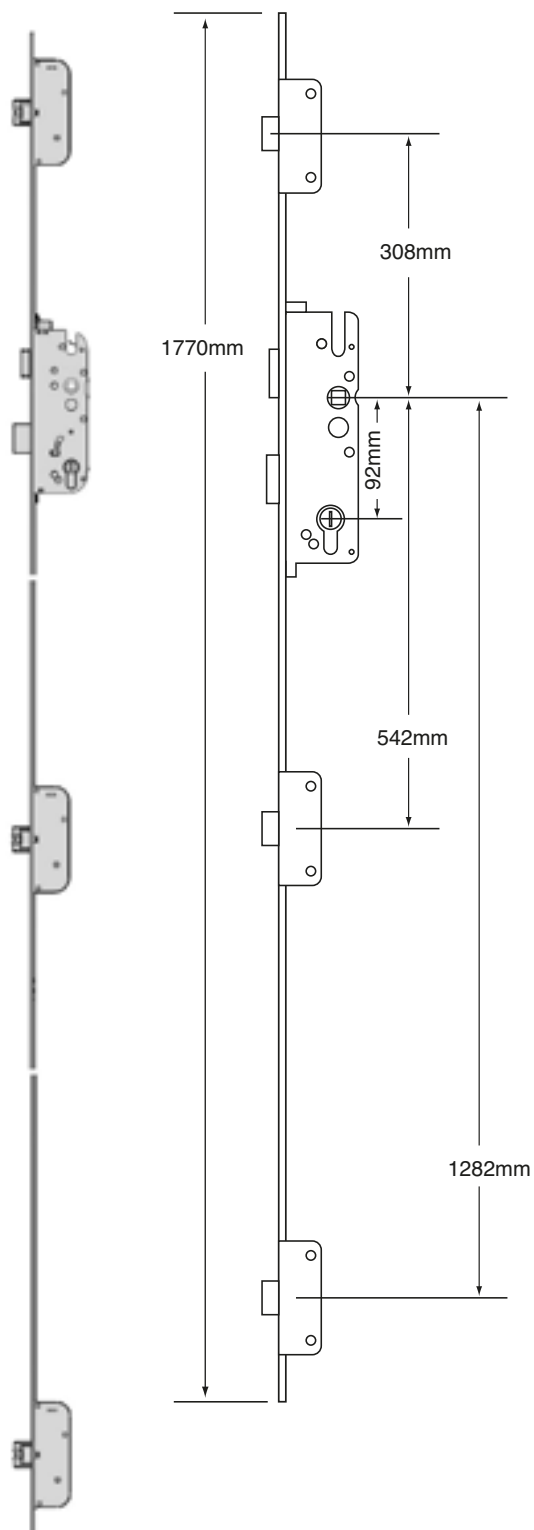
page 385

For Keeps please refer to pages 453-455



Product Code	Backset	Centres	Spindle	Centre Case	Mfr Ref.	Deadbolts
L24332	35mm	92mm	Single	Latch & Deadbolt	6-37298-21-0-1	2
L24331	45mm	92mm	Single	Latch & Deadbolt	6-36037-44-0-1	2

## GU Secury Auto A3 1770 Multipoint Lock - 3 Deadbolts



### Features

- Automatically locks when the door is closed
- Single spindle
- Euro profile lock case
- 20mm wide faceplate
- Latch & deadbolt
- Keywind operation

### Overview

The GU Secury Automatic A3 1770 is a lever operated single spindle multipoint lock system with a Euro profile lock case, 92mm centres and a 20mm wide radius faceplate. This unit incorporates keywind operation and will lock automatically when the door is closed.

### Operation

The unit automatically locks when the door is closed, the centre case deadbolt only operates on turn of key. The unit unlocks on the turn of the key or the use of the inside lever.

### Associated Products

#### CHAMELEON Pro Adaptable Door Handle

CH30025	White
CH30026	Silver
CH30027	Polished Silver
CH30028	Gold
CH30068	Black



page  
312

#### ASEC Boxed Power Supply

AS9101	12VDC 2 Amp
--------	-------------



page  
456

#### GU Secury Automatic Universal Motor

L24347	K-18153-01-0-0
--------	----------------



page  
457

#### HOPPE Lever / Pad Fixing Plate

L16401	Lever Pad Fixing Plate
--------	------------------------



page  
385

For Keeps please refer to pages 453-455

Product Code	Backset	Centres	Spindle	Centre Case	Mfr Ref.	Deadbolts
L24333	35mm	92mm	Single	Latch & Deadbolt	6-36037-59-0-1	3
L24330	45mm	92mm	Single	Latch & Deadbolt	6-37298-20-0-1	3

## WINKHAUS AV2 Auto Locking Lever Operated Latch & Deadbolt - 2 Hook



### Features

- 16mm Faceplate
- Euro Profile Lock Case
- Latch & Deadbolt
- Can be fitted with electronic motor
- Ideal for UPVC & composite doors

### Overview

The automatic locking AV2 2 hook multipoint lock has a 16mm faceplate and is ideal for use on UPVC & composite doors. The AV2 Autolock has the optional capability of becoming an electronic access controlled locking system. The lock is designed to accept a "screw on" 12v electronic motor which can then be controlled by means of industry standard multi option access control systems. When activated the two solid high tensile steel hooks and central latch are withdrawn thus forming the blueMatic AV2-E. The extreme versatility of the blueMatic AV2-E Electronic Locking system is achieved through its easy integration with all access control systems which subsequently leads to its suitability for many different applications.

### Operation

Unit automatically locks when the door is closed, unlocks with key, inside handle or electrical input if optional motor is fitted.



THE MOTOR ADDITIONAL

### Associated Products

ASEC Boxed Power Supply  
AS9101 12VDC 2 Amp



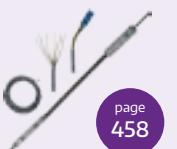
page 456

WINKHAUS AV2 BlueMatic Motor Unit  
L23483 Motor Only



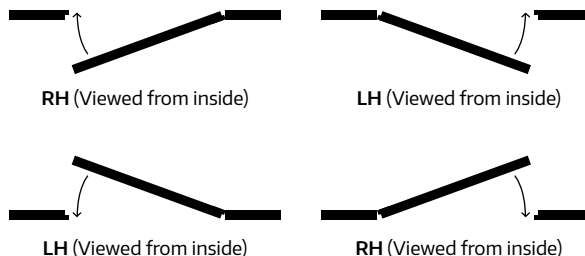
page 458

WINKHAUS AV2 BlueMatic Armoured Door Loop  
L23485 2m



page 458

WINKHAUS AV2 BlueMatic Cable  
L23484 6m

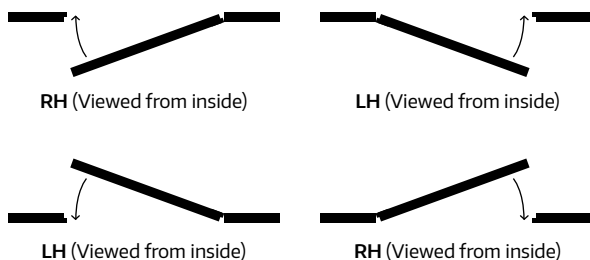


For Keeps please refer to pages 453-455

Product Code	Backset	Centres	Spindle	Centre Case	Mfr Ref.	Hooks	Handed
L23472	35mm	92mm	Single	Latch & Deadbolt	2352131	2	Left Hand
L23471	35mm	92mm	Single	Latch & Deadbolt	2352122	2	Right Hand
L24799	45mm	92mm	Single	Latch & Deadbolt	2352165	2	Left Hand
L24798	45mm	92mm	Single	Latch & Deadbolt	2352157	2	Right Hand



## WINKHAUS AV2 Auto Locking Lever Operated Latch & Deadbolt 20mm Radius - 2 Hook



### Features

- 20mm Radius Faceplate
- Euro Profile Lock Case
- Latch & Deadbolt
- Can be fitted with electronic motor
- Ideal for timber doors

### Overview

The automatic locking AV2 2 hook multipoint lock has a 20mm radius faceplate and is ideal for use on timber doors. The AV2 Autolock has the optional capability of becoming an electronic access controlled locking system. The lock is designed to accept a "screw on" 12v electronic motor which can then be controlled by means of industry standard multi option access control systems. When activated the two solid high tensile steel hooks and central latch are withdrawn thus forming the blueMatic AV2-E. The extreme versatility of the blueMatic AV2-E Electronic Locking system is achieved through its easy integration with all access control systems which subsequently leads to its suitability for many different applications.

### Operation

Unit automatically locks when the door is closed, unlocks with key, inside handle or electrical input if optional motor is fitted.

### Associated Products

ASEC Boxed Power Supply  
AS9101 12VDC 2 Amp



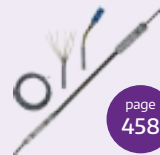
page  
456

WINKHAUS AV2 BlueMatic Motor Unit  
L23483 Motor Only



page  
458

WINKHAUS AV2 BlueMatic Armoured  
Door Loop  
L23485 2m



page  
458

WINKHAUS AV2 BlueMatic Cable  
L23484 6m

For Keeps please refer to pages 453-455

Product Code	Backset	Centres	Spindle	Centre Case	Mfr Ref.	Hooks	Handed
L23474	45mm	92mm	Single	Latch & Deadbolt	2352739	2	Left Hand
L23473	45mm	92mm	Single	Latch & Deadbolt	2352691	2	Right Hand
L23476	55mm	92mm	Single	Latch & Deadbolt	2352801	2	Left Hand
L23475	55mm	92mm	Single	Latch & Deadbolt	2352798	2	Right Hand

# WINKHAUS AV2 Auto Locking Lever Operated Latch & Deadbolt 20mm Square - 2 Hook



## Features

- 20mm Square Faceplate
- Euro Profile Lock Case
- Latch & Deadbolt
- Can be fitted with electronic motor
- Ideal for timber doors

## Overview


The automatic locking AV2 2 hook multipoint lock has a 20mm square faceplate and is ideal for use on timber and composite doors. The AV2 Autolock has the optional capability of becoming an electronic access controlled locking system. The lock is designed to accept a "screw on" 12v electronic motor which can then be controlled by means of industry standard multi option access control systems. When activated the two solid high tensile steel hooks and central latch are withdrawn thus forming the blueMatic AV2-E. The extreme versatility of the blueMatic AV2-E Electronic Locking system is achieved through its easy integration with all access control systems which subsequently leads to its suitability for many different applications.

## Operation

Unit automatically locks when the door is closed, unlocks with key, inside handle or electrical input if optional motor is fitted.


## Associated Products

**ASEC Boxed Power Supply**  
AS9101 12VDC 2 Amp



page 456

**WINKHAUS AV2 BlueMatic Motor Unit**  
L23483 Motor Only



page 458

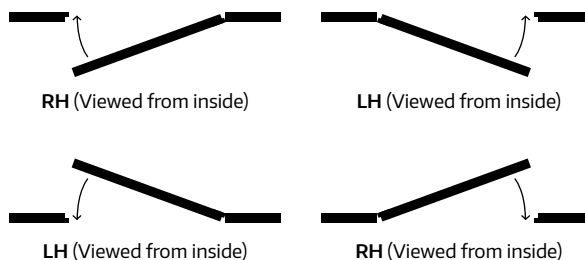
**WINKHAUS AV2 BlueMatic Armoured Door Loop**  
L23485 2m

**WINKHAUS AV2 BlueMatic Cable**  
L23484 6m



page 458

For Keeps please refer to pages 453-455



Product Code	Backset	Centres	Spindle	Centre Case	Mfr Ref.	Hooks	Handed
L23532	45mm	92mm	Single	Latch & Deadbolt	2352739	2	Left Hand
L23531	45mm	92mm	Single	Latch & Deadbolt	2352691	2	Right Hand
L23534	55mm	92mm	Single	Latch & Deadbolt	2352801	2	Left Hand
L23533	55mm	92mm	Single	Latch & Deadbolt	2352798	2	Right Hand

**BORG LOCKS BL6100 Narrow Style Digital Lock With UPVC Extension**

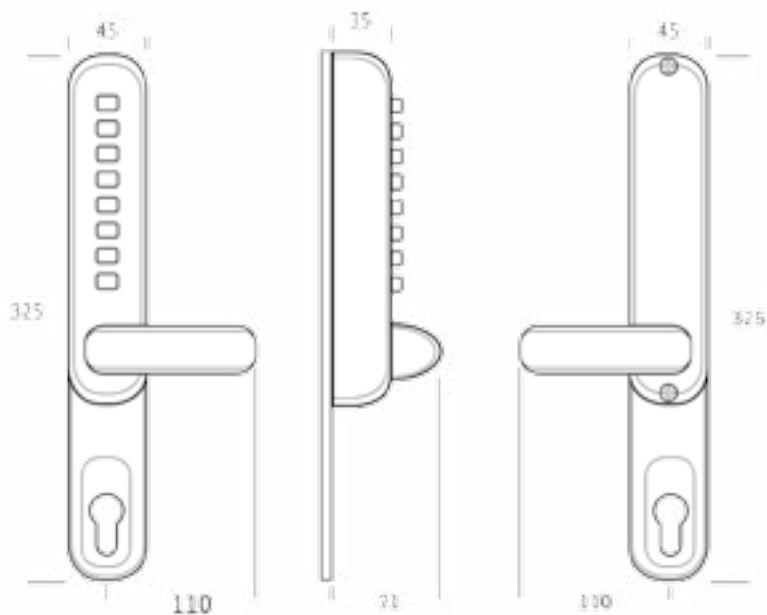


**Features**

- Suitable for internal or external applications
- Suitable for use with 90mm & 92mm centre multi point locks
- 70° handle rotation is ideal for multi-point locks
- 195mm fixing centres
- Narrow housing suitable for UPVC & aluminium applications
- 325mm extension plate
- Reversible Handing
- 1 Year Guarantee

**Overview**

The Borg BL6100 narrow style digital lock has been specially designed as a retro-fit solution for UPVC and aluminium doors. This non-handed digital lock with a single column 8 button keypad incorporates a 325mm extension plate fitted behind the keypad and inside handle to make it suitable for use with 90 & 92mm centred locks. The unique patented double button press design allows users to program a digit twice in the code. With a clutched keypad handle to protect against forced entry and lock damage, the handle of the BL6100 offers no resistance until the correct code is entered.



Product Code	Finish	Centres	Height	Mfr Ref.	Screw Centres	Spindle
L25201	Satin Chrome	90 & 92mm	325mm	BL6100SC	195mm	8mm
L25202	White	90 & 92mm	325mm	BL6100WH	195mm	8mm

YALE Conexis L1 Smart Door Lock - No Module



Features

- Unique Twist & Go unlocking feature (turn your Bluetooth enabled smartphone 90 degrees to unlock door)
- Manage and program your lock using the Yale smartphone app
- Kit includes: 1 x Conexis L1 Smart Door Lock; 1 x Key Card; 1 x Key Tag; 4x AA Batteries; Fixing pack
- App enables you to monitor access as well as set new codes for friends and family
- PAS24 accredited
- Four entry methods (Yale App, Key Card, Key Tag and Phone Tag)

Overview

The innovative and easy to install Yale Conexis L1 Smart Door Lock can be managed entirely from your smartphone via the Yale App. Suitable for use with the majority of multipoint locks in the market and compatible with the Yale Smart Home system (Yale module available to special order) including existing Yale alarms and CCTV systems, the Conexis L1 gives users the flexibility to choose from four different keyless entry methods; app, key card, key tag or phone tag.

The unique Twist & Go feature allows users to quickly open the lock by simply turning their smartphone 90 degrees. The comprehensive App can be used to create & share access codes as well as monitor who has used the lock.

The secure push & turn thumbturn is engineered to give additional convenience and security to your door and, additionally, a 9V battery connection port can be used to power the Smart door lock in the event of flat batteries. This product also features a built in anti-tamper alarm, a 2 year guarantee, and connects to leading smart home systems when the appropriate module is fitted.

Associated Products

YALE Smart Living Key Card  
L26805 Twin Pack

YALE Smart Lock Phone Tag  
L26804 Black - Twin Pack  
L26803 White - Twin Pack



Unique Twist & Go unlocking feature

Product Code	Finish	Centres	Height	Width	Depth	Mfr Ref
L26798	Polished Chrome	90 & 92mm	280mm	80mm	30mm	SD-L1000-CH

## YALE Smart Living Key Card



### Features

- Unlock your Yale smart lock
- Twin pack
- Compatible with the Conexis L1 Smart Lock

### Overview

The Yale Smart Living Key Cards are supplied in packs of 2 and are designed to operate the Yale Conexis L1 Smart Lock.

Product Code	Pack Quantity	Mfr Ref.	Suits Product
L26805	2	P-YD-01-CON-RFIDC	Yale Conexis L1 Smart Door Lock

## YALE Smart Lock Phone Tag



### Features

- Unlock your Conexis L1 smart lock
- Fix to the rear of your phone
- Allows for keyless entry

### Overview

The Yale Smart Lock Phone Tag can be fixed to the rear of your phone to allow keyless entry to your Conexis L1 smart lock.



Product Code	Finish	Pack Quantity	Mfr Ref.	Suits Product
L26803	White	2	P-YD-01-CON-RFIDPW	Yale Conexis L1 Smart Door Lock
L26804	Black	2	P-YD-01-CON-RFIDPB	Yale Conexis L1 Smart Door Lock

## YALE KF1 Keyfree Digital Remote Door Lock



### Features

- Insurance Approved
- Remote Control - 2 remote control key fobs supplied (10m range)
- Designed and built to Secured by Design standards
- 2 Year Guarantee
- Built in 80dB alarm to prevent tampering
- Mechanical lock and key as a safety over-ride feature (Cylinder supplied separately)

### Overview

Keyfree is the very latest in door security from Yale, and combines peace of mind with convenience by allowing you to access and protect your property without a key.

### Notes

"To fit this lock you will require the following details - The width of the door and the offset of the door (measurements A & B in the above drawing).

### Associated Products

#### YALE KF Keyfree Single Sided Euro Cylinder

- L19703 40mm PC - Tailbar B (20.4mm)
- L19704 55mm PC - Tailbar D (31.4mm)
- L19705 55mm PC - Tailbar A (15.4mm)
- L19706 55mm PC - Tailbar B (20.4mm)
- L19707 55mm PC - Tailbar C (26.4mm)
- L19708 60mm PC - Tailbar A (15.4mm)
- L19709 60mm PC - Tailbar B (20.4mm)
- L19710 60mm PC - Tailbar C (26.4mm)
- L19711 40mm PB - Tailbar B (20.4mm)
- L19712 55mm PB - Tailbar D (31.4mm)
- L19713 55mm PB - Tailbar A (15.4mm)
- L19714 55mm PB - Tailbar B (20.4mm)
- L19715 55mm PB - Tailbar C (26.4mm)
- L19716 60mm PB - Tailbar A (15.4mm)
- L19717 60mm PB - Tailbar B (20.4mm)
- L19718 60mm PB - Tailbar C (26.4mm)

#### YALE SP1S Keyfree Spindle

- L19719 Spindle A - 86.1mm - (32mm / 27.1mm)
- L19720 Spindle B - 101.6mm - (36mm / 38.6mm)
- L19721 Spindle C - 111.6mm - (41mm / 43.6mm)
- L19722 Spindle D - 111.6mm - (46mm / 38.6mm)
- L19723 Spindle E - 106.6mm - (41mm / 38.6mm)
- L19724 Spindle F - 107.1mm - (49mm / 31.1mm)
- L19725 Spindle G - 99.1mm - (41mm / 31.1mm)

#### YALE FPS Keyfree Fixing Pack

- L19726 Pack A - Max 50mm Thickness
- L19727 Pack B - Max 55mm Thickness
- L19728 Pack C - Max 60mm Thickness
- L19729 Pack D - Max 65mm Thickness

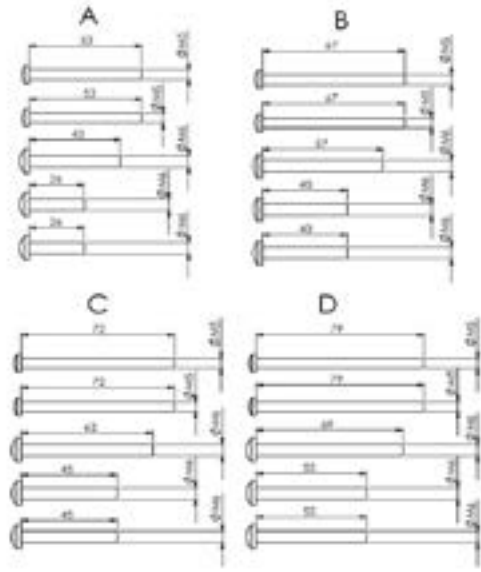
#### YALE FPS Keyfree Spare Remote Fob

- L19732 Black - 10m Read Range

Door Thickness	"A" Dist. from front	"B" Dist. from Rear	Chrome	Brass	Spindle	Fixing Pack
44	22	22	L19703	L19711	L19719	L19726
48	24	24	L19703	L19711	L19719	L19726
54	27	27	L19705	L19713	L19719	L19726
58	29	29	L19706	L19714	L19720	L19727
59	34	25	L19708	L19716	L19720	L19727
60	26 - 28	32 - 34	L19706	L19714	L19725	L19727
60	30	30	L19709	L19717	L19720	L19727
60	32 - 34	26 - 28	L19708	L19716	L19720	L19727
62	28	34	L19704	L19712	L19723	L19728
62	35	27	L19707	L19715	L19720	L19727
62 - 65	22	40 - 43	L19704	L19712	L19724	L19728
64	31	33	L19709	L19717	L19723	L19728
65	28	37	L19707	L19715	L19723	L19728
65	37	28	L19707	L19715	L19720	L19728
70	26 - 29	41 - 44	L19704	L19712	L19724	L19729
70	30 - 33	37 - 40	L19710	L19718	L19722	L19729
70	34 - 35	35 - 36	L19710	L19718	L19721	L19729
70	35 - 38	32 - 35	L19704	L19712	L19721	L19729
70	39 - 40	30 - 31	L19704	L19712	L19720	L19729
70	40 - 44	26 - 30	L19710	L19718	L19720	L19729

Product Code	Code Length	Finish	Mfr Ref.	Weather Resistant
L19702	4 to 12 digits	Polished Brass	KF1-PB	Yes
L19701	4 to 12 digits	Chrome Plated	KF1-PC	Yes

YALE FPS Keyfree Fixing Pack



Features

- For use with Yale Keyfree range
- Available in 4 sizes

Overview

Fixing packs to suit Yale Keyfree. The different sizes available mean that you don't have to waste valuable time on site cutting the bolts down to the required size.



Product Code	Door Thickness	Mfr Ref.
L19726	Up to 50mm	FPAS
L19727	Up to 55mm	FPBS
L19728	Up to 60mm	FPCS
L19729	Up to 65mm	FPDS

YALE Keyfree Spare Remote Fob



Features

- Unlock your Keyfree with just one quick press of a button
- Remote locking with 10m range
- Can work with up to four key fobs at a time

Overview

Your Yale Keyfree door lock can work with up to four key fobs at a time, so additional key fobs are an ideal way to give access to more family members or trusted visitors.

Product Code	Finish	Read Range	Suits Product	Mfr Ref.
L19732	Black	10m	Yale Keyfree	KF-REM-CON

YALE KF Keyfree Single Sided Euro Cylinder

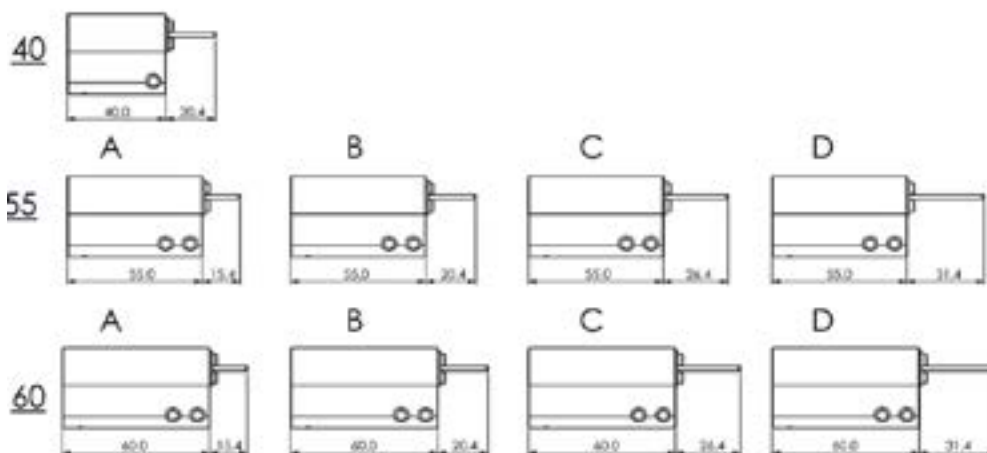


Features

- 6 Pin System
- Pick Resistant
- Drill Resistant
- For use with Yale Keyfree range

Overview

Single sided euro cylinders with tail bars of variable lengths. The different sizes of tailbar mean that you don't have to waste valuable time on site cutting the bolts down to the required size.



Product Code	Length	Finish	Tailbar	Mfr Ref.
L19711	40mm	Polished Brass	20.4mm	KF-40-PB
L19703	40mm	Polished Chrome	20.4mm	KF-40-PC
L19713	55mm	Polished Brass	15.4mm	KF-55-A-PBS
L19714	55mm	Polished Brass	20.4mm	KF-55-B-PBS
L19715	55mm	Polished Brass	26.4mm	KF-55-C-PBS
L19712	55mm	Polished Brass	200g	KF-55-PBS
L19705	55mm	Polished Chrome	15.4mm	KF-55-A-PCS
L19706	55mm	Polished Chrome	20.4mm	KF-55-B-PCS
L19707	55mm	Polished Chrome	26.4mm	KF-55-C-PCS
L19704	55mm	Polished Chrome	31.4mm	KF-55-PCS
L19716	60mm	Polished Brass	15.4mm	KF-60-A-PBS
L19717	60mm	Polished Brass	20.4mm	KF-60-B-PBS
L19718	60mm	Polished Brass	26.4mm	KF-60-C-PBS
L19708	60mm	Polished Chrome	15.4mm	KF-60-A-PCS
L19709	60mm	Polished Chrome	20.4mm	KF-60-B-PCS
L19710	60mm	Polished Chrome	26.4mm	KF-60-C-PCS



YALE SP1S Keyfree Spindle

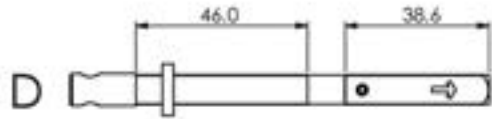
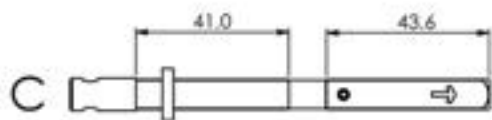
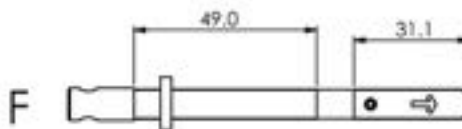
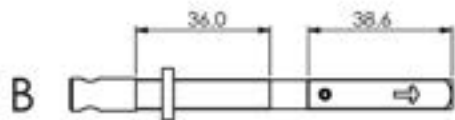
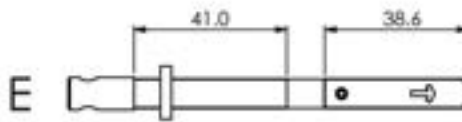
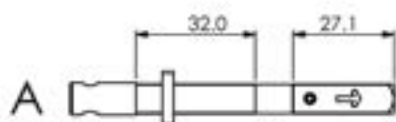


Features

- For use with Yale Keyfree range
- Available in 7 lengths

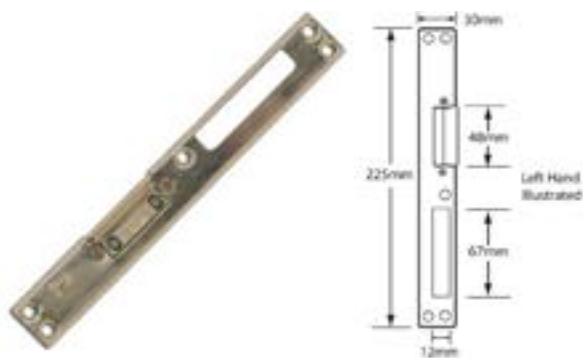
Overview

Getting the correct spindle is imperative to correctly operate the locking mechanism which is why there are 7 to choose from to ensure you have the right one for your application.



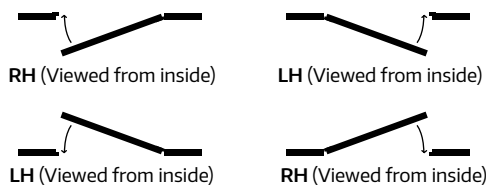
Product Code	A Side	Alias Brand	B Side	Length	Mfr Ref.
L19719	32mm	Keyfree	27.1mm	86.1mm	SPA1S
L19720	36mm	Keyfree	38.6mm	101.6mm	SPB1S
L19721	41mm	Keyfree	43.6mm	111.6mm	SPC1S
L19722	46mm	Keyfree	38.6mm	111.6mm	SPD1S
L19723	41mm	Keyfree	38.6mm	106.6mm	SPE1S
L19724	49mm	Keyfree	31.1mm	107.1mm	SPF1S
L19725	41mm	Keyfree	31.1mm	99.1mm	SPG1S

GU 6-3001400 Centre Keep



Features

- Screw fixed
- Adjustable latch keep



Product Code	Length	Width	Handed	Width
L12049	225mm	30mm	Left Hand	30mm
L12050	225mm	30mm	Right Hand	30mm

GU 6-35590-03-0-1 Reversible Timber Centre Keep



Features

- Suitable for use on door thickness of 54-56mm
- Suitable for timber doors
- Reversible

Overview

The GU 6-35590-03-0-1 is a reversible centre keep suitable for use on timber doors with a thickness between 54-56mm

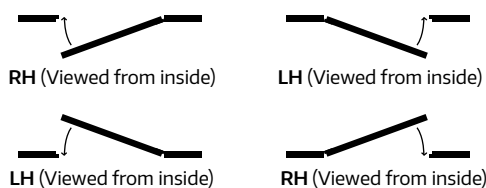
Product Code	Length	Width	Mfr Ref.
L24734	195mm	25mm	6-35590-03-0-1

GU L-10000-05 Timber / Composite Centre Keep



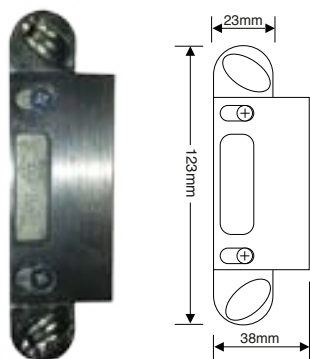
Features

- Door thickness: 44mm
- Suitable for timber & composite doors



Product Code	Length	Width	Handed	Mfr Ref.
L24343	210mm	24mm	Left	L-10000-05-L-1
L24344	210mm	24mm	Right	L-10000-05-R-1

## GU 6-35591-03-0-1 Timber Deadbolt Keep



### Features

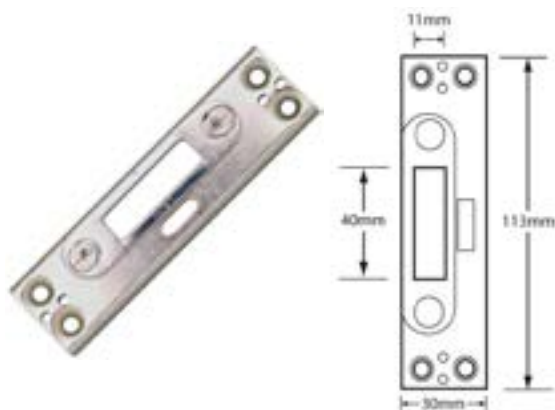
- Suitable for use on door thickness of 54-56mm
- Suitable for timber doors

### Overview

The GU 6-35591-03-0-1 is a non handed deadbolt keep suitable for use on timber doors with a thickness between 54-56mm.

Product Code	Length	Width	Mfr Ref.
L24735	123mm	38mm	6-35591-03-0-1

## GU Deadbolt Keep



### Features

- Screw fixed
- Adjustable plate

Product Code	Length	Type	Width
L15386	113mm	Dead Bolt Keep	30mm

## GU L-10000-06-0-1 Timber / Composite Deadbolt Keep



### Features

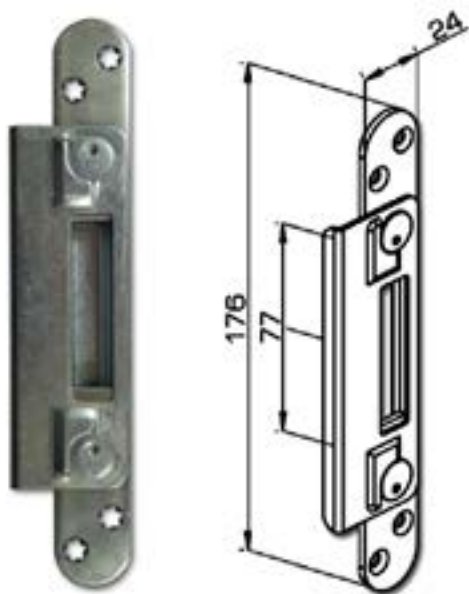
- Door thickness: 44mm
- Suitable for timber & composite doors

### Overview

The L-10000-06-0-1 is a deadbolt keep by GU suitable for use on timber and composition doors with a door thickness of 44mm.

Product Code	Length	Width	Mfr Ref.	Mechanism
L24345	140mm	24mm	L-10000-06-0-1	Deadbolt

WINKHAUS AV2 Radius Hook Keep



Features

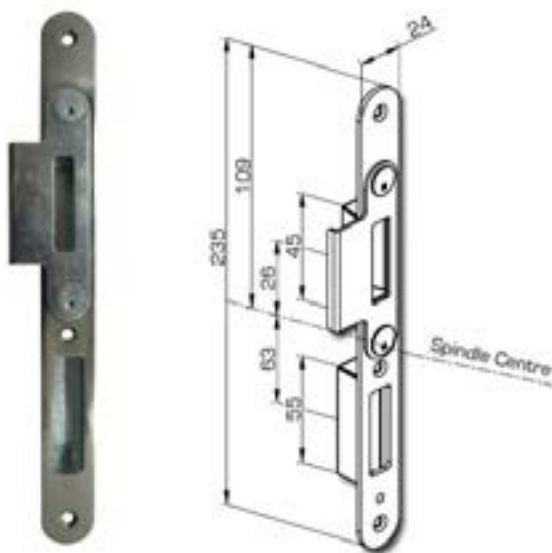
- Reversible to suit both handings
- Adjustable plate
- Box keep

Overview

A cam adjustable reversible box keep to suit the hook locking points of the Winkhaus AV2 multipoint lock.

Product Code	Door Thickness	Faceplate Height	Faceplate Width	Finish	Handed	Mfr Ref.
L23479	44mm	176mm	24mm	Steel	Reversible	4964543
L23482	56mm	176mm	24mm	Steel	Reversible	4964543

WINKHAUS AV2 Centre Keep

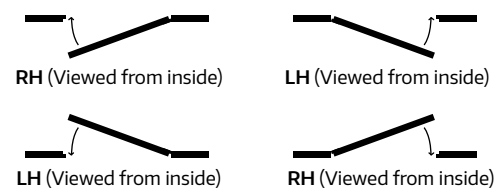


Features

- Steel construction
- Keep to suit Winkhaus AV2 Multipoint Lock
- Cam fastenings allow full adjustment of each locking point

Overview

Adjustable centre keep suitable for use with the Winkhaus AV2 Multipoint Locking System.



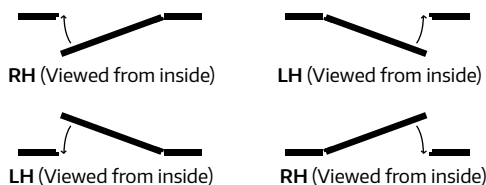
Product Code	Door Thickness	Faceplate Height	Faceplate Width	Finish	Handed	Mfr Ref.
L23478	44mm	235mm	24mm	Steel	Left Hand	4937126
L23481	56mm	235mm	24mm	Steel	Left Hand	4929194
L23477	44mm	235mm	24mm	Steel	Right Hand	4937125
L23480	56mm	235mm	24mm	Steel	Right Hand	4929193

EFF EFF 17 Series UPVC Mortice Release



Features

- Designed for UPVC applications
- Continuously rated
- Adjustable jaw
- Fail locked



Product Code	Current	Input Voltage	Holding Force	Handed
L14297	0.5 Amp	12V AC/DC	675kg / 1500lbs	Left Hand
L14298	0.5 Amp	12V AC/DC	675kg / 1500lbs	Right Hand

ASEC Boxed Power Supply - 12VDC 2 Amp



Features

- Integral battery charging facility (accepts 7 Ah battery)
- Built in internal fuse protection
- Metal boxed
- Regulated and smoothed DC output
- Coloured LED indicators
- IP41 Ingress Protection Rating
- Dimensions: 200mm (H) x 230mm (W) x 80mm (D)

Overview

This metal boxed multiple application power supply unit from Asec is available in a range of voltages and amperages. This IP46 unit includes an integral battery charging facility, regulated and smoothed DC output and is available in two sizes to suit your needs.



Product Code	Input Voltage	Output Voltage	Output Current	Backup Battery
AS9101	230V AC mains	13.8V DC (12V DC)	2 Amp	Up to 7Ah size

## GU Secury Automatic Universal Motor



### Features

- Universal application
- Easy installation

### Overview

Universal motor compatible with the Secury Automatic range of products by GU.

Product Code	Input Voltage	Mfr Ref.
L24347	12V DC	K-18153-01-0-0

## SENTRY SEN-R-R1 Receiver French Rolling Code



### Features

- 12/24V AC/DC input voltage
- NO / NC relay output
- Code type - Fixed dip switch selected

Product Code	Mfr Ref.	Frequency	Height	Width	Depth
L11501	SEN-R-R1	433.92Mhz	90mm	66mm	29mm

## SENTRY SEN-R-T1 Transmitter French Rolling Code



### Features

- 1 channel
- Dip switch channel changing
- 100m direct line of sight read range
- GP23 (12V) battery

Product Code	Mfr Ref.	Frequency	Height	Width	Depth
L11500	SEN-RXI	433.92Mhz	66mm	32mm	14mm

## WINKHAUS AV2 BlueMatic Armoured Door Loop



### Features

- 2 metre cable
- Protects cable from door to the frame

### Overview

The Winkhaus 2522881 Transition Cable is an armoured door loop which allows the wire to move from the door to the frame in an aesthetically pleasing and secure manner.

Product Code	Mfr Ref.	Suits Product
L23485	4990598	Winkhaus AV2

## WINKHAUS AV2 BlueMatic Cable



### Features

- 5 Core Wire
- Factory fitted plug-in adaptor
- Colour coded for ease of installation
- For use with Winkhaus AV2 Multipoint Lock

### Overview

This colour coded 5 core wire has a factory fitted adaptor and is specifically for use with the Winkhaus AV2 multipoint lock when fitting it with a motor for electronic operation.

Product Code	Length	Mfr Ref.	Suits Product
L23484	6m	2522881	Winkhaus AV2

## WINKHAUS AV2 BlueMatic Motor Unit



### Features

- Retro fits to Winkhaus AV2 Multipoint Lock
- Easy to install
- Can be linked to an intercom system, remote control, etc.
- Can be used on UPVC, wooden, aluminium or composite doors

### Overview

The AV2 Autolock has the optional capability of becoming an electronic access controlled locking system. The lock is designed to accept a "screw on" 12v electronic motor which can then be controlled by means of industry standard access control systems. When activated the two solid high tensile steel hooks and central latch are withdrawn thus forming the blueMatic AV2-E. The extreme versatility of the blueMatic AV2-E Electronic Locking system is achieved through its easy integration with all access control systems which subsequently leads to its suitability for many different applications.

Product Code	Height	Input Voltage	Mfr Ref.	Width
L23483	210mm	12V DC	5009320	55mm

» Door

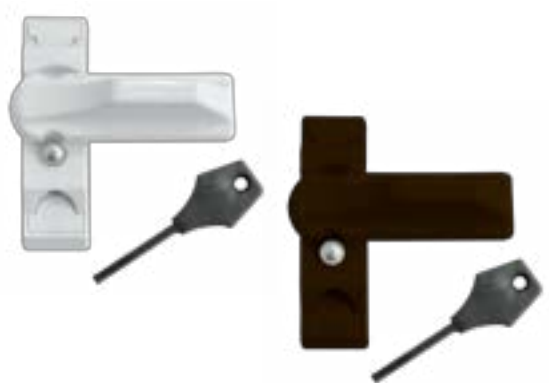
# Secondary Security

---

Door Restrictors	<b>460 - 467</b>
Key Safes	<b>468 - 478</b>
Hinge Protectors	<b>479</b>



ASEC Sash Stopper



Features

- Complete with spacers for different profiles
- Face fix additional security device for UPVC windows and doors
- Locking and non lock versions
- White or brown options

Overview

Designed as an extra reinforcement against forced entry or as an overnight solution if the main locks need replacing

Product Code	Depth	Finish	Length	Mechanism
AS3387	20mm	Brown	70mm	Locking
AS3388	20mm	Brown	70mm	Non locking
AS10553	20mm	Brown	66mm	Non Locking - Contract
AS3389	20mm	White	70mm	Locking
AS3391	20mm	White	70mm	Non locking
AS11383	20mm	White	66mm	Non Locking - Contract

ASEC Sleeved Safety Door Chain

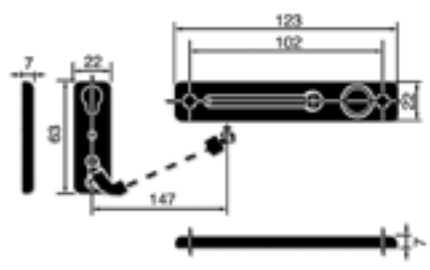


Features

- Sleeved Chain
- Easy To Install
- Button Operated Release

Overview

A sleeved door chain that requires the button to be depressed before the chain can be removed.



Product Code	Chain Length	Finish
L22670	147mm	Chrome Plated

## ASEC Locking Door Chain



### Features

- Allows outside access to key holders only
- 2 keys supplied
- Approx 100mm opening with the chain engaged

### Overview

Lockable door chain which can be unlocked when the door is ajar.

### Associated Products

SILCA YA4 To Suit Yale  
6404 YA4



Product Code	Finish
AS3393	Chrome Plated
AS3394	Polished Brass

## ASEC UPVC Door Chain Restrictor With Ring

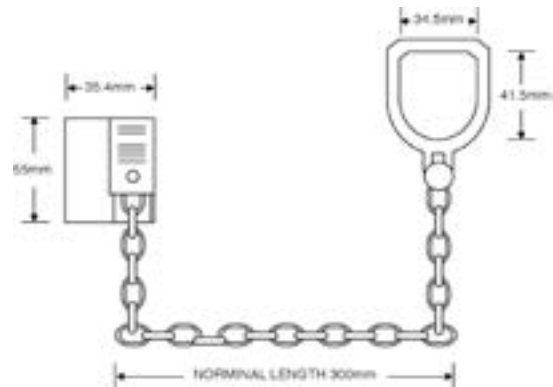


### Features

- Door chain with locking ring for handle
- Suitable for almost any style of door
- No drilling of door required
- Wall mounted keep with extra long screws
- Protects against burglary and theft
- Made from die-cast zinc

### Overview

This easy to install door restrictor has a ring which fits over the door handle making it ideal for use in UPVC applications as the door does not need to be drilled.



Product Code	Finish
AS10325	White

## AVOCET 90° Door Restrictor



### Features

- Limits opening to 90°.
- With euro groove or flat option

Product Code	Finish	Height	Mfr Ref.	Euro Groove
L18665	Zinc Plated	335mm	SLDR - Euro Groove	Yes
L18664	Zinc Plated	335mm	RS10 - Non Euro Groove	No

## CHAMELEON Adaptable Door Restrictor



### Features

- Limits the opening of a door to 90°
- Smooth Overview
- Easy to install

### Overview

This door restrictor is easy to install and will only allow the door to be opened up to 90°.

Product Code	Finish	Height
CH18665	Zinc Plated	335mm

## ERA 791 Door Chain



### Features

- Comes complete with screws for timber door and cavity fixings for UPVC doors.
- Allows conversation without compromising safety
- Can only be unlocked when the door is closed
- Suitable for the elderly
- Easy to lock and unlock
- Suitable for wooden or PVCu doors

### Overview

ERA's Door Chain is designed to limit the door opening, allowing conversation without giving access to visitors.

Product Code	Chain Length	Finish	Mfr Ref.
L14942	210mm	Electro Brass	791-32
L14943	210mm	Satin Chrome	791-52

## ERA 787 Door Chain



### Features

- Slide chain allows quick and easy locking
- Allows conversation without compromising safety
- Can only be unlocked when the door is closed
- Suitable for the elderly
- Easy to lock and unlock
- Suitable for wooden doors

### Overview

ERA's Sliding Door Chain offers visible security, allowing conversation without giving access to visitors.

Product Code	Chain Length	Finish	Mfr Ref.	Packaging
L9958	200mm	Polished Brass	787-32	Visi
L9959	200mm	Satin Chrome	787-52	Visi

## ERA 792 Door Chain



### Features

- Allows access if required from outside by key if the door is ajar.
- Ideal for the elderly or sheltered accommodation
- Easy to fit
- Suitable for timber or PVCu doors
- Comes complete with 2 keys

### Overview

ERA's Locking Door Chain provides enhanced security for the elderly or people with mobility issues. Developments to the traditional chain mean that friends, family and carers can now gain access to the property, without compromising the occupant's security.

Product Code	Chain Length	Finish	Mfr Ref.	Packaging
L17125	200mm	Chrome Plated	792-62	Visi

## ERA 700 Securichain



### Features

- Chain is engaged and released by use of push button on the keep.
- Allows conversation without compromising safety
- Can only be unlocked when the door is closed
- Suitable for the elderly
- Quick and easy locking
- Suitable for wooden doors

### Overview

ERA's Concealed Door Chain gives extra security for external doors which (when fitted) is concealed in the door frame

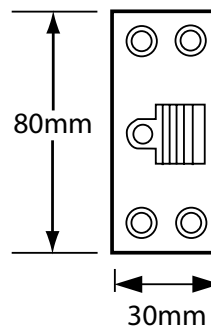
Product Code	Finish	Mfr Ref.	Packaging
7315	Electro Brass	700-32	Visi

## Fab &amp; Fix Safe-T-Bar



### Features

- A home safety device
- Non handed & face fixed
- Specifically designed for UPVC
- Suitable for open in or out doors



Product Code	Finish	Mfr Ref.	Packaging
L12137	Brown	DSDB02	Visi
L12136	White	DSDB01	Visi

## FUHR Concealed Restrictor



### Features

- Stainless Steel Construction
- Limits opening to 90°.
- Fits into the euro groove

Product Code
L18046

## Hiatt 724 &amp; 725 Door Chain



### Features

- Supplied complete with fixing screws

Product Code	Chain Length	Finish	Mfr Ref.	Packaging
L11629	200mm	Chrome Plated	725	Visi
L11630	200mm	Polished Brass	724	Visi

## Ingersoll DSC2 Door Check



### Features

- Supplied c/w fixing screws
- Dual action restricts door opening and locks the door when in closed position.

Product Code	Finish	Packaging
1872	Polished Brass	Visi
1874	Satin Chrome	Visi

## PATLOCK Security Lock for French Doors & Conservatories



### Features

- Supplied with 2 tamper resistant spindles
- Removes risk of lock snapping
- Instant French door security lock
- To be used as an additional security device and not as a replacement for existing locks
- Easy to install / fit
- Unique patent registered design
- UK Manufactured
- Secured By Design Approved

### Overview

The Patlock is a new kind of lock specifically designed to stop intruders quickly when trying to enter your home through your French doors. This home security product removes the risk of lock snapping, as the doors are held secure without any locks in the door. Combined with the fact that the Patlock acts as a visual deterrent for would be intruders, this product provides home owners with a peaceful and safe state of mind. The Patlock comes with a pair of tamper resistant spindles and is easy to install.



Product Code	Finish	Packaging	Suits Product
L23633	WH	Boxed	French Doors

SECURE RING Secure By Design UPVC Door Restrictor



Features

- Can be fitted in under 5 minutes
- Specially designed for UPVC and composite doors
- Easy to use & suitable for all abilities
- Feel secure when opening the door
- Side Light version is suitable for doors that have a window or side light
- Secured by Design Approved

Overview

The Secure-Ring Security Door Chain has been tested to reduce forced door entry, in accordance with the highest police standards. As a result, it is the only Secured by Design accredited product of its kind.

Made from solid steel to provide maximum strength, with the ring coloured to the Royal Institute for the Blind recommendations, the Secure-Ring provides total peace of mind and ease of use for the whole family.

The Secure-Ring security door chain is also extremely easy to install, and as it does not need to be screw fixed to the door or the door frame, there are no door warranty issues.

Product Code	Finish
L22028	White

YALE 1040 Door Chain



Features

- Heavy duty simple to install
- Suitable for internal doors 850-1100mm wide
- Supplied with fixing screws.

Product Code	Finish	Length	Mfr Ref.	Packaging
L9356	Polished Brass	102mm	P1040PB	Visi
L9357	Satin Chrome	102mm	P1040SCP	Visi

## YALE UPVC Letter Plate Restrictor



### Features

- Suitable for Wooden, PVCu & Composite Doors
- Compatible with most letter plates
- Adjustable to allow full closure, part restriction or full opening.
- Reduce risk of vandalism, fishing and lock manipulation
- Prevents visibility of occupancy
- Easy to install

### Overview

The Yale P-YLPR Letter Plate Restrictor restricts the opening of the letter plate from the inside of your house. Adjustable to allow full closure, part restriction or full opening, the letter plate restrictor can prevent visibility of occupancy and reduces the risk of vandalism, fishing and lock manipulation. The Yale P-YLPR is simple to fit, compatible with most letter plates, and suitable for wooden, PVCu & composite doors.

Product Code	Finish	Mfr Ref.	Packaging
L23521	Chrome	P-YLPR-CH	Boxed
L23522	White	P-WLPR-WH	Boxed

## YALE WS6 Door Chain



### Features

- Supplied c/w fixing screws
- Approved to DHF TS003:2012 - Door Chains & Limiters
- Secured by Design Approved

Product Code	Finish	Mfr Ref.	Packaging
437	Polished Brass	WS6	Visi
L8028	Polished Brass	WS6RP Trade Pack	Loose
L8029	Satin Chrome	WS6RP Trade Pack	Loose
434	Satin Chrome	WS6	Visi



## ABUS 737 Mini "Key Garage" Key Safe



### Features

- ABUS mini key garage
- Padlock type mount
- 4 wheel combination - resettable
- Vinyl coated back and shackle
- Box measures 85 mm (H) x 66 mm (W) 29 mm (D)

### Overview

The ABUS Mini Key Garage is a neat way to securely store keys and other small items. The storage compartment and the shackle are automatically set to different combinations to prevent accidental loss.

Product Code	Finish	Depth	Height	Width	Mfr Ref.	Packaging
L19603	Silver	26mm	133mm	66mm	737 C	Visi

## ABUS 767 Wall Mounted "Key Garage" Key Safe



### Features

- ABUS key and card storage box
- Wall mounted
- Push button mechanism
- Hinged drop down door
- Protective dust cover
- Steel body and backplate

### Overview

The ABUS Key Garage is a neat way to securely store keys and other small items. The large internal space means secure shared access to your house keys, car keys and more.

Product Code	Finish	Depth	Height	Width	Mfr Ref.	Packaging
L19604	Silver	46mm	120mm	82mm	767 C	Visi

## ABUS 787 BIG Series Wall Mounted Key Safe



### Features

- Clip-in hooks which can easily be taken out and provide a greater ease of use for the end consumer
- Flat inner mechanism implies a larger storage space as well
- Wall fixing system
- 4 digit, individually resettable code
- Solid metal housing and cover made of zinc die-cast
- Protective cover with sliding mechanism

### Overview

The ABUS 787 BIG shares the same footprint as the standard 787 however has a larger storage space and is a neat way to securely store keys and other small items. The large internal space means secure shared access to your house keys, car keys and more. The Key Garage 787 BIG can be used indoor and in protected outdoor areas for temporary storage of valuables or keys.

Product Code	Finish	Depth	Height	Width	Mfr Ref.	Packaging
L22515	Black / Silver	62mm	120mm	83.5mm	787 BIG	Visi

## ABUS 787 Series Wall Mounted Key Safe



### Features

- A safe way to leave keys for people you trust : Convenient security
- Resettable 4 digit combination : Set your own PIN
- Strong, sturdy construction : With durable weather resistance
- For surface mounting : Easy to fit, hidden screws

### Overview

The ABUS Key Garage is a neat way to securely store keys and other small items. The large internal space means secure shared access to your house keys, car keys and more.

Product Code	Finish	Depth	Height	Width	Mfr Ref.	Packaging
L19388	Black / Silver	43mm	115mm	80mm	787 C Key Garage for Wall	Visi

ABUS 797 Series Key Safe With Hasp



Features

- A safe way to leave keys for people you trust : Convenient security
- Resettable 4 digit combination : Set your own PIN
- Strong, sturdy construction : With durable weather resistance
- Removable automatic locking shackle : Plastic coated to protect paint work

Overview

The ABUS Key Garage is a neat way to securely store keys and other small items. The large internal space means secure shared access to your house keys, car keys and more.

Product Code	Finish	Depth	Height	Width	Mfr Ref.	Packaging
L19389	Black / Silver	43mm	175mm	80mm	797 C Key Garage with Shackle	Visi

ASEC Key Safe



Features

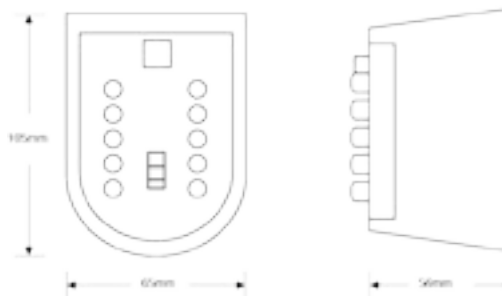
- Convenient storage of household keys
- Holds 4-5 cylinder keys or 1-2 mortice keys
- Simple to use push button design
- Weather resistant rubber cover included
- Rust proof
- Surface mounting

Overview

Surfaced mounted mechanical digital (minimum 3 digits) key safe. Complete with weather resistant rubber cover.

DIGITAL LOCK DIMENSIONS:

WIDTH: 35mm  
HEIGHT: 70mm  
DEPTH: 38mm



Product Code	Finish	Depth	Height	Width	Packaging
AS6106	Black	60mm	120mm	75mm	Boxed

## ASEC Large Key Safe



### Features

- Weather resistant
- 3 to 10 digit combination
- Wall mounted (fixings supplied)
- Suitable for indoor & outdoor use
- Quick & easy to fit
- Hinge opening

### Overview

The Asec Large Key Safe provides weather resistant secure storage of keys. Suitable for indoor & outdoor use, this wall mounted unit features a hinge opening and is quick & easy to fit with the supplied fixings.

Product Code	Finish	Depth	Height	Width	Mfr Ref.	Packaging
AS10552	Black	55mm	125mm	88mm	AS10552	Boxed

## ASEC Small Key Safe Complete With Cover



### Features

- Weather resistant rubber cover included
- 3 to 10 digit combination
- Wall mounted (fixings supplied)
- Suitable for indoor & outdoor use
- Quick & easy to fit
- Convenient storage of household keys

### Overview

The Asec Small Key Safe provides weather resistant secure storage of keys. Suitable for indoor & outdoor use, this wall mounted unit features a fully detachable face and is quick & easy to fit with the supplied fixings. Comes complete with weather resistant rubber cover.

Product Code	Finish	Depth	Height	Width	Mfr Ref.	Packaging
AS10551	Black	38mm	100mm	58mm	AS10551	Boxed

BURTON KEYGUARD Keyguard Digital XL



Features

- Weather resistant cover included
- Independently attack tested and certified to Sold Secure Bronze standard
- High security, outdoor key safe
- Secured by Design Approved
- 12 push buttons
- Ideal for use by carers, cleaners, workmen & dependents

Overview

The Burton Keyguard XL outdoor key safe is an ideal external key storage solution for properties where access is required by care workers, cleaners, workmen or children. Supplied with a weather resistant cover and fixings, the Keyguard XL has been independently attack tested and certified to Sold Secure Bronze standard. In addition to this, the Keyguard XL holds meets the requirements set by Secured by Design (SBD), the official UK police security initiative.

Secured by Design



Police Preferred Specification

Product Code	Finish	Depth	Height	Width	Mfr Ref.
L25207	Black	56mm	160mm	95mm	Keyguard Digital XL

LOCKEY Digital Lock Key Safe



Features

- A safe solution for key sharing and key storing
- Based on the Little Lockey design



Product Code	Finish	Depth	Height	Width	Mfr Ref.	Packaging
L16459	Brown	62mm	133mm	50mm	LOCK BOX BR	Visi
L16460	Dull Green	62mm	133mm	50mm	LOCK BOX DG	Visi
L16461	Satin Chrome	62mm	133mm	50mm	LOCK BOX SC	Visi

MASTER LOCK 5401D & 5403E Key Safe



Features

- Surface mounting
- Holds over 5 door or car keys
- 4 digit resettable combination lock
- Solid die cast body is reinforced to withstand hammering and sawing
- Lifetime guarantee

Overview

The Master Lock 5401D Key Safe makes it possible for you to safely lock one or more spare keys outside your home. Only those you choose to give the 4 digit code to have access, making it ideal for emergency access, children, relatives, care workers, cleaners and many more.

Product Code	Finish	Depth	Height	Width	Mfr Ref.	Packaging
L13480	Silver	31mm	118mm	85mm	5401D	Visi
L17053	Silver	52mm	146mm	106mm	5403E	Boxed

MASTER LOCK 5404 Illuminated Key Safe



Features

- Zinc alloy body
- Compact model
- Wall fixing
- Integrated LED - illuminates when open
- 4 digit resettable combination
- Slide cover

Overview

The Master Lock 5404 Padlock Style Key Safe makes it possible for you to safely a key outside your home. Only those you choose to give the 4 digit code to have access, making it ideal for emergency access, children, relatives, care workers, cleaners and many more. The 5404's compartment holds 1 key, has a resettable 4-digit combination mechanism whose digits are LED illuminated, and a zinc alloy body. This key safe is to be mounted on a wall.

Product Code	Finish	Height	Width	Mfr Ref.	Packaging
L16415	Silver	145mm	85mm	5404	Visi

## SQUIRE Key Keep Wall Mounted Key Safe



### Features

- Durable construction
- Four wheel recodable combination lock
- Weather resistant cover
- Easy to fit and recode

### Overview

With the Squire Key Keep it is now possible to safely lock one or more spare keys outside your home. Only those you choose to give the 4 digit code to have access, making it ideal for emergency access, children, relatives, care workers, cleaners and many more. Thanks to its weather resistant cover, the Key Keep is suitable for both external and internal use, and is ideal for shed keys, garage keys and house keys. Never get locked out again.

Product Code	Finish	Depth	Height	Width	Mfr Ref.	Packaging
L21720	Black	30mm	115mm	80mm	KEY KEEP1	Visi

## SQUIRE Stronghold High Security Combination Keysafe



### Features

- Hinged cover for superior weather protection
- Recodable 5-wheel combination lock
- 100,000 variations
- Safely store keys outdoors for gardeners, cleaners and care workers
- Secure by Design approved
- Hardened steel body

### Overview

A step-up from its Key Keep predecessor, the Squire Stronghold Key safe offers users increased security for ultimate peace of mind outdoor key storage. Both Secure by Design and Sold Secure (Bronze) certified, this weather resistant, recodable combination safe offers users a staggering 100,000 locking variations. Supplied complete with fixings, this easy to install outdoor key safe is ideal for forgetful key holders or for properties with ad hoc visitors such as gardeners, cleaners and care workers.

Product Code	Finish	Depth	Height	Width
L25765	Grey	40mm	159mm	82mm

## SUPRA 001324 Slim Line Key Safe Complete With Cover



### Features

- Surface mounting
- Holds 2-3 cylinder keys or 1 mortice key and complete with cover

Product Code	Finish	Depth	Height	Width	Mfr Ref.	Packaging
L12074	Grey	38mm	114mm	54mm	1324	Boxed

## SUPRA 001409 Key Safe Complete With Cover



### Features

- Surface mounting
- Holds 4-5 cylinder keys or 1-2 mortice
- Complete with cover
- Push button key pad
- Rust proof

Product Code	Depth	Finish	Height	Mfr Ref.	Packaging
L12073	51mm	Grey	108mm	001409EU	Boxed



SUPRA 111S7 Large Key Safe Complete With Cover



Features

- Surface mounting
- Access cards easily fit into larger storage area
- Accommodates multiple keys and bigger keys
- Durable, recessed lid for tamper resistance
- Push button technology makes combinations convenient to change
- Complete with cover

Product Code	Finish	Depth	Height	Width	Mfr Ref.	Packaging
L11533	Black	63mm	120mm	89mm	111S7	Boxed

SUPRA 409 Key Safe Cover



Features

- Waterproof
- Suitable for standard key safe L9400

Associated Products

SUPRA 001001 Key Safe  
L9400 GRY Visi

Product Code	Finish	Mfr Ref.	Packaging
L11535	Black	409	Loose

## SUPRA C500 Digital Key Safe



### Features

- Solid metal construction
- Easy push button access
- 4,096 combinations
- Weather cover included
- Mounting hardware included
- Secured by Design Approved



Product Code	Finish	Depth	Height	Width	Mfr Ref.
L18001	Cream	64mm	127mm	76mm	C500

## SUPRA KIDDE 001001 Key Safe



### Features

- Surface mounting
- Holds 4-5 cylinder keys or 1-2 mortice key
- Push button key pad
- Rust proof
- Stores spare key

### Associated Products

SUPRA 409 Key Safe Cover  
L11535 BLK

Product Code	Finish	Depth	Height	Width	Mfr Ref.	Packaging
L9400	Grey	51mm	110mm	58mm	1001	Visi

## SUPRA KIDDE 001004 Slim Line Key Safe



### Features

- Surface mounting
- Holds 2-3 cylinder keys or 1 mortice key
- Push button key pad
- Rust proof
- Stores spare keys

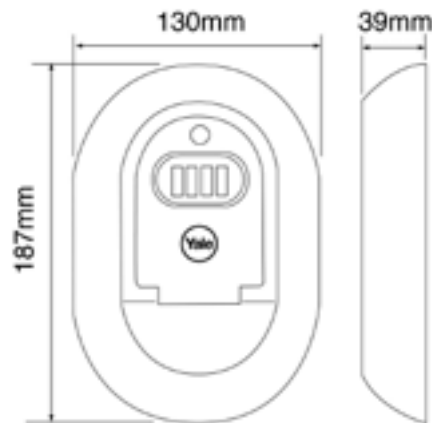
Product Code	Depth	Finish	Height	Mfr Ref.	Packaging	Width
L9457	38mm	Grey	114mm	1004	Visi	54mm

## YALE Y500 Key Safe



### Features

- Surface mounted
- Weather resistant
- For interior and exterior use
- Resettable combination lock



Product Code	Finish	Height	Width	Mfr Ref.	Packaging
L16548	Silver	152mm	127mm	Y500-187-1	Visi

## MILA Hinge Protector For Use With Frame Eurogroove



### Features

- Hinge protector suitable for most residential doors & casement windows with a euro groove.
- Large die-cast bolt slots securely into euro groove when the door/window is closed providing an effective anti-jimmy feature.
- No routing or preparation required.
- Can be retro-fitted on-site to enhance hinge side security.

Product Code	Height	Width
L18770	80mm	30mm

## MILA Ideal UPVC Casement Hinge Protector



Secured by Design



Police Preferred Specification

### Features

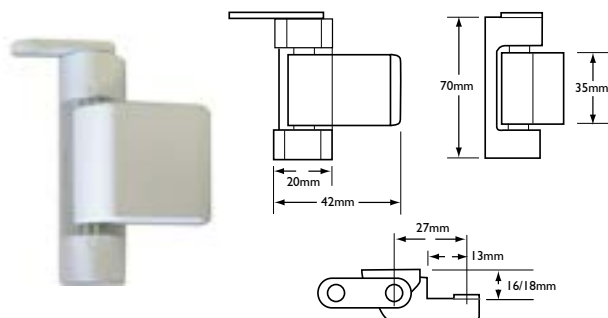
- Strong, die-cast sash and frame parts
- No routing of sash or outer frame required
- Suitable for retro-fitting on-site to enhance hinge side security
- Available in versions suitable for 13mm and 17mm stack height friction stays
- Secured by Design Approved
- 10 Year Mechanical & 2 Year Labour Guarantee

### Overview

The Mila Ideal UPVC Casement Hinge Protector is an enhanced security device, to be used on the hinge side of casement windows. The Hinge Protector is suitable for retro fitting and its frame parts are made of strong, die cast sash. When fitting the Protector, no routing of the outer frame or sash is required.

Product Code	Stack Height	Mfr Ref.
L23525	17mm	023201
L23524	13mm	023200

## MILA UPVC / Timber Door & Window Euro Safety Catch



### Features

- Provides additional security against the external forcing open of doors and windows

Product Code	Finish	Length	Width	Mfr Ref.
L18589	White	70mm	42mm	61510



# Key Safes



The Asec Key Safe range provides weather resistant secure storage of keys.

These wall mounted units are suitable for indoor & outdoor use and capable of holding a wide range of key sizes.

Fitting is quick and easy using the supplied fixings.

- Available in Small, Standard & Large sizes
- Weatherproof
- 3 to 10 digit combination
- Simple to use push button design

**See pages 470 & 471**

[www.asec.co.uk](http://www.asec.co.uk)

» Door

# Shootbolts

---

Flush	<b>482 - 489</b>
Standard	<b>490 - 495</b>

## CHAMELEON Adaptable Shootbolt



### Features

- Supplied as a pair (top & bottom)
- Suitable for both french doors and windows
- Will retrofit most models

### Overview

This French door shootbolt kit contains top & bottom bolts along with 2 keeps. They are usually used to secure the slave door or window in place to allow the active door or window to securely lock into it.

Product Code	Length	Pack Qty
CH18687	155mm & 250mm	2 Bolts & 2 Keeps

## ADAMS RITE 6201-6-12 Flat Flush Bolt



### Features

- 7mm zinc plated steel rod, 40mm thread length
- Die cast zinc alloy body mechanism
- Hardened steel bolt, zinc plated with an anti rattle sleeve
- 18mm bolt throw
- Square forend

Product Code	Depth	Finish	Length	Screw Centres	Mfr Ref.
L12214	26.5mm	Satin Chrome	305mm	129mm	1571072

## Alpro 60 Lever Action Flush Bolt



### Features

- Spring loaded floor sockets available on request
- Flat or radius profiles available
- Die cast zinc alloy Overview mechanism
- Silver finish
- Complete with bolt guide

### Overview

Flushbolts are used to facilitate the locking of the inactive leaf of a pair of aluminium, steel or timber doors. Complete with the necessary flushbolt guide and optional spring loaded floor sockets, the flushbolts allow both a secure and aesthetically pleasing locking solution.

### Notes

Flat or radius profiles available

Product Code	Body Length	Body Width	Finish	Profile	Mfr Ref.
L22560	144mm	22.5mm	Satin Chrome	Flat	60FSAA
L22561	144mm	22.5mm	Satin Chrome	Radius	60RSAA

## Asec Polished Brass Lever Action Flush Bolt



### Features

- Available in polished brass and satin nickel
- Visi packed

### Overview

Lever action flush bolt.

Product Code	Finish	Length	Width
AS3728	Polished Brass	203mm	19mm
AS3729	Polished Brass	254mm	19mm
AS3815	Polished Brass	152mm	19mm



## Asec Aluminium 150mm x 19mm Lever Action Flush Bolt



### Features

- 7mm zinc plated steel rod, 40mm thread length
- Die cast zinc alloy body mechanism
- Hardened steel bolt, zinc plated with an anti rattle sleeve
- 18mm bolt throw

### Overview

Lever action flush bolt.

Product Code	Finish	Length	Width
AS4030	Anodised Aluminium	150mm	19mm
AS4031	Anodised Aluminium	200mm	19mm

## Asec Satin Nickel Lever Action Flush Bolt



### Features

- Available in polished brass and satin nickel
- Visi packed

### Overview

Lever action flush bolt.

Product Code	Finish	Length	Mfr Ref.	Width
AS3816	Satin Nickel	152mm	AS3816	19mm
AS3730	Satin Nickel	203mm	AS3730	19mm
AS3818	Satin Nickel	203mm	AS3818	19mm
AS3731	Satin Nickel	254mm	AS3731	19mm

## AVOCET Short Throw Shootbolt



### Features

- Short throw shootbolt
- Standard action
- Keeps to suit are available to purchase separately
- To suit Avocet multipoint locks
- Stainless steel finish

### Overview

Standard action short throw shootbolt from Avocet to suit Avocet multipoint locks.

Product Code	Finish	Length	Mfr Ref.
L26454	Stainless Steel	80mm	DASSB80SS
L26455	Stainless Steel	160mm	DASSB160SS
L26456	Stainless Steel	260mm	DASSB260SS

## ERA UPVC High Security Shootbolt



### Features

- High security shootbolt attachment
- To suit Era Slave (French doors) multipoint lock
- To be used in conjunction with master leaf for French doors
- Slide action

### Overview

High security shootbolt attachment by Era to suit the Era slave/french door multipoint locking systems.

Product Code	Finish	Mfr Ref.
L24822	Steel	5650-85

## ERA UPVC Shootbolt



### Features

- Shootbolt attachment
- To suit Era Slave (French doors) multipoint lock
- To be used in conjunction with master leaf for French doors
- Slide action

### Overview

Shootbolt attachment by Era to suit the Era slave/french door multipoint locking systems.

Product Code	Finish	Mfr Ref.
L25224	Steel	5670-85

## ERA UPVC High Security Shootbolt



### Features

- High security shootbolt attachment
- To suit Era Slave (French doors) multipoint lock
- To be used in conjunction with master leaf for French doors
- Available with or without rollers
- Slide action

### Overview

High security shootbolt attachment by Era to suit the Era slave/french door multipoint locking systems.

Product Code	Finish	Length	Roller	Notes	Width	Mfr Ref.
L25225	Steel	185mm	0	Low threshold shootbolt	85mm	5654-85
L25226	Steel	230mm	1	Shootbolt with roller	90mm	5651-20-85

## Frank Allart 5640 25mm Lever Action Flush Bolt



### Features

- Length of throw 16mm
- High quality coil springing
- Smooth action
- Shoot size 11mm diameter

Product Code	Finish	Bolt Throw	Length	Width	Mfr Ref.
3930	Anodised Aluminium	16mm	152mm	25mm	5640
3958	Polished Brass	16mm	152mm	25mm	5640
L13846	Satin Chrome Plated	16mm	152mm	25mm	5640
3935	Anodised Aluminium	16mm	203mm	25mm	5640
3961	Polished Brass	16mm	203mm	25mm	5640
3939	Anodised Aluminium	16mm	254mm	25mm	5640
3942	Anodised Aluminium	16mm	305mm	25mm	5640

## Frank Allart 5640 19mm Lever Action Flush Bolt



### Features

- Length of throw 16mm
- High quality coil springing
- Smooth action
- Shoot size 11mm diameter

Product Code	Finish	Length of Throw	Length	Width	Mfr Ref.
L13845	Chrome Plated	Frank Allart	152mm	19mm	5640
L8668	Anodised Aluminium	16mm	152mm	19mm	5640
L8667	Anodised Aluminium	16mm	203mm	19mm	5640

## FUHR Bottom Shootbolt

FUHR



### Features

---

- Bottom shootbolt attachment
- To suit Fuhr multipoint locks
- Standard action

### Overview

---

Bottom fixing shootbolt from Fuhr to suit the Fuhr range of multipoint locks.

Product Code	Finish	Fixing	Length	Mfr Ref.
L26428	Silver	Bottom	150mm	MV15018B6S
L26429	Silver	Bottom	570mm	MAU60570V9X

## FUHR Reverse Action Top Shootbolt

FUHR



### Features

---

- Top shootbolt attachment
- Reverse action
- To suit Fuhr multipoint locks

### Overview

---

Reverse action top fixing shootbolt from Fuhr to suit the Fuhr range of multipoint locks.

Product Code	Finish	Fixing	Length	Mfr Ref.
L26427	Silver	Top	150mm	MV150186S
L26430	Silver	Top	686mm	MAO60686VGAX

## GU 3000 Pro Shootbolt Attachment To Suit ProLock Slave



### Features

- To suit GU ProLock Slave multipoint lock
- Shootbolt attachment
- Slide action

### Overview

Shootbolt attachment by GU to suit the GU 3000 ProLock Slave multipoint lock system.

### Associated Products

- GU 3000 ProLock Short & Slave Lever Operated Latch & Deadbolt  
 - 2 Hook 4 Roller  
 L24042 35/92-62 Slave  
 L24046 35/92-62 Short

Product Code	Faceplate Width	Height	Mfr Ref.	Overview
L24043	16mm	150mm	DLGUPROSHOOTBOLT	Slide action

## GU 160mm Shootbolt



### Features

- Shootbolt attachment
- Length: 160mm
- Choose between reverse or standard action
- To suit GU multipoint locks

### Operation

Shootbolt attachment from GU to suit GU multipoint locks. This 160mm long shootbolt is available with standard or reverse action.

Product Code	Length	Mfr Ref.	Action
L26437	160mm	8-00670-00-0-1	Reverse Action
L26436	160mm	8-00676-00-0-1	Standard Action

## MACO Inline Shootbolt



### Features

- Inline shootbolt attachment
- Standard action
- To suit Maco multipoint locks

### Overview

Maco standard action inline shootbolt attachment to suit Maco multipoint locks.

### Associated Products

#### MACO Extension Piece With Cam To Suit Maco GT-S Locks

- L26439 300mm Extension Piece With Cam
- L26440 500mm Extension Piece With Cam

#### MACO Reverse Action Shootbolt

- L26445 500mm Reverse Action Shootbolt
- L26444 500mm Reverse Action Shootbolt With Cam

Product Code	Length	Mfr Ref.	Locking Point - Cam
L26441	120mm	209355	0
L26442	300mm	58329	1
L26443	300mm	58331	0

## MACO PAS 24 Reverse Action Shootbolt



### Features

- PAS 24 accredited
- Reverse action
- Shootbolt attachment
- To suit Maco multipoint locks

### Overview

Maco PAS 24 accredited reverse action shootbolt attachment to suit Maco multipoint locks.

### Notes

### Associated Products

Product Code	Length	Mfr Ref.	Locking Point - Cam
L26449	200mm	102363	0
L26450	300mm	211834	1
L26451	300mm	211835	0
L26452	500mm	211836	0
L26453	500mm	211837	1

## MACO PAS 24 Inline Shootbolt



### Features

- PAS 24 accredited
- Inline shootbolt attachment
- To suit Maco multipoint locks
- Standard action

### Overview

Maco PAS 24 accredited standard action inline shootbolt attachment to suit Maco multipoint locks.

Product Code	Length	Mfr Ref.	Locking Point - Cam
L26446	120mm	211831	0
L26447	300mm	211832	1
L26448	300mm	211833	0

## MACO Reverse Action Shootbolt



### Features

- Shootbolt attachment
- Reverse action
- To suit Maco multipoint locks

### Operation

Maco reverse action shootbolt attachment to suit Maco multipoint locks.

Product Code	Length	Mfr Ref.	Locking Point - Cam
L26444	500mm	200981	1
L26445	500mm	200982	0



MILA French Door & Window Shootbolt - Large Finger Operated



Features

- Finger operated
- Usually used to secure second door leaf
- 11mm Diameter Shoot Bolt

Overview

A large finger operated shootbolt by Mila, suitable for French Doors & Windows.

Product Code	Finish	Length	Mfr Ref.
L18688	Silver	120mm	O44202

MILA French Door & Window Shootbolt - Universal



Features

- Complete with top & bottom bolts.
- Will Retrofit most models.
- Suitable for doors and windows.

Product Code	Finish	Length	Mfr Ref.
L18687	Silver	250mm & 155mm	UNISBK

## MILA French Door & Window Shootbolt - Small Finger Operated



### Features

- Finger operated
- For use on slave doors or French windows
- Usually used to secure second door leaf

### Overview

A small finger operated shootbolt by Mila, suitable for French Doors & Windows.



Product Code	Finish	Length	Mfr Ref.
L18686	Silver	85mm	O44101

## MILA French Door & Window Shootbolt - Ideal Finger Operated



### Features

- Finger operated
- For use on slave doors or French windows
- Usually used to secure second door leaf

### Overview

An ideal finger operated shootbolt by Mila, suitable for French Doors & Windows.



Product Code	Finish	Length	Mfr Ref.
L18685	Silver	114mm	O44120

## WINKHAUS STV-A Bottom Shootbolt



### Features

- Bottom shootbolt attachment
- Shootbolt throw: 20mm
- Available in either 16mm or 20mm faceplate widths
- To suit Winkhaus multipoint locks
- Standard action
- Croppable

### Overview

Bottom fixing shootbolt from Winkhaus to suit the Winkhaus range of multipoint locks.

Product Code	Faceplate width	Fixing	Length	Mfr Ref.
L26423	20mm	Bottom	175mm	2500480
L26425	16mm	Bottom	489mm	2500498

## WINKHAUS STV-ASS / STV-A1 Bottom Flushbolt



### Features

- Bottom flushbolt attachment
- Shootbolt throw: 20mm
- 20mm faceplate
- To suit serrated Winkhaus multipoint locks
- Standard action

### Overview

Bottom fixing flushbolt from Winkhaus to suit the Winkhaus range of serrated multipoint locks.

Product Code	Faceplate width	Fixing	Length	Mfr Ref.
L26424	20mm	Bottom	372mm	2930754
L26426	20mm	Bottom	773mm	2096392

## WINKHAUS Top Shootbolt



### Features

- Top shootbolt attachment
- 16mm faceplate
- Shootbolt throw: 20mm
- Length: 470mm
- To suit Winkhaus multipoint locks
- Standard action

### Overview

Top fixing shootbolt from Winkhaus to suit the Winkhaus range of multipoint locks.

Product Code	Faceplate width	Fixing	Length	Mfr Ref.
L26422	16mm	Top	470mm	2823908

# Supa™

Stainless Steel Door Furniture

Door Handles | Pull Bars | Letterboxes | Escutcheons | Knockers & Numerals



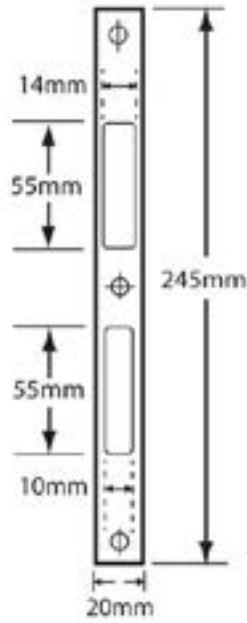
» Door

# Keeps & Strikes

---

Centre	<b>498 - 502</b>
Locking Point	<b>503 - 521</b>
Kit	<b>522</b>

ASEC Universal Centre Keep

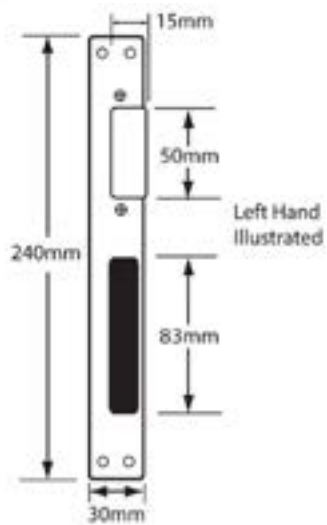


Features

- Sash keep to suit UPVC doors
- Reversible

Product Code	Length	Width
L15569	240mm	20mm

AVOCET Centre Keep

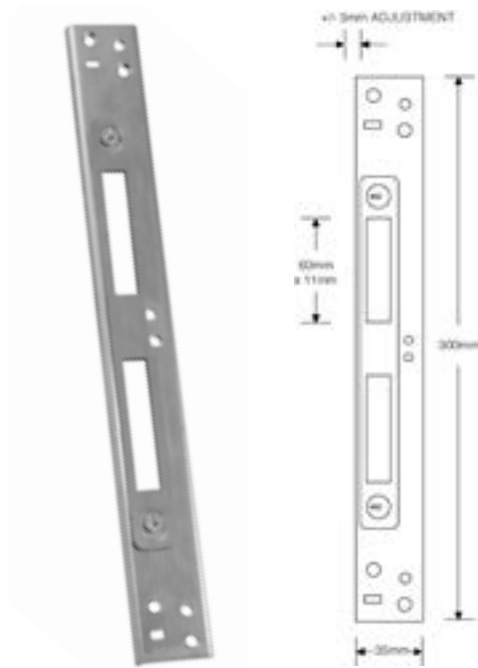


Features

- Adjustable latch keep
- Screw fixed

Product Code	Handed
L17420	Left Hand
L17421	Right Hand

## CHAMELEON Modular Repair Lock Centre Keep



### Features

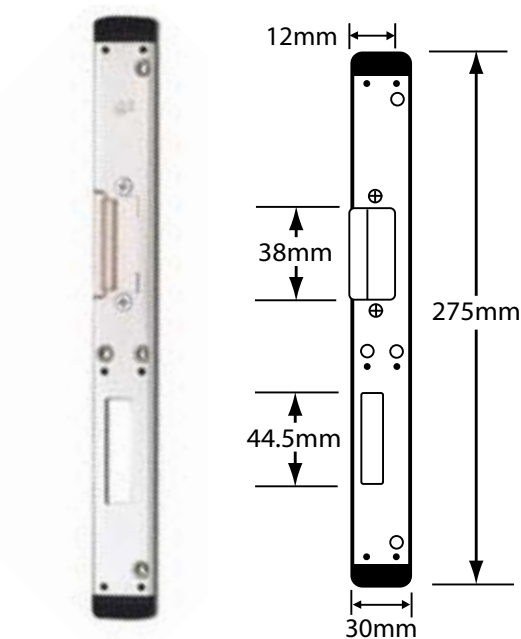
- Keep to suit Chameleon modular repair lock centre case
- Fully adjustable packers
- Cam fastenings allow full adjustment of each locking point
- Robust steel construction

### Overview

A centre keep suitable for use with the Chameleon Modular Repair Lock System with cam controlled adjustable locking point receivers. Can also be used on multiple brands of lock.

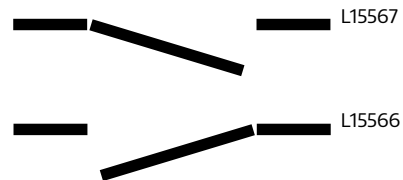
Product Code
CH10303

## FUHR Centre Keep



### Features

- Sash keep to suit UPVC doors
- Adjustable latch keep
- Screw fixed



Product Code	Handed	Type
L15567	Left Hand	Centre Keep
L15566	Right Hand	Centre Keep



## FUHR RFV45590X Adjustable Centre Keep

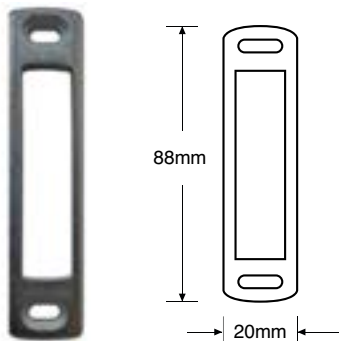
FUHR

## Features

- Slotted screw holes for ease of adjustment
- Robust solid cast construction

## Overview

A genuine Fuhr keep with slotted screw holes making on site adjustments easy.



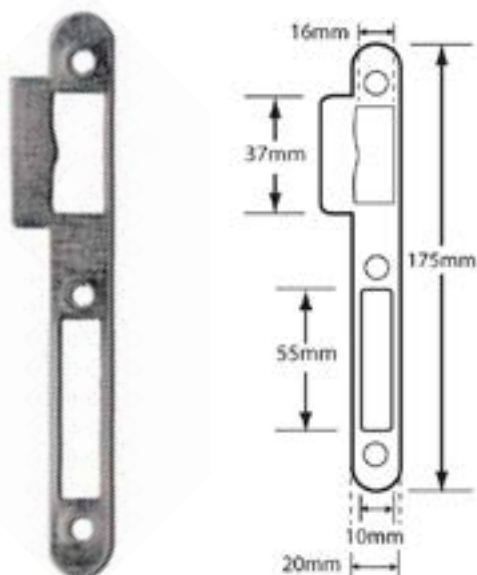
Product Code	Finish	Depth	Height	Width	Mfr Ref.
L22763	Silver	6mm	88mm	20mm	RFV45590X

## GU E13338 Timber Centre Keep

GU

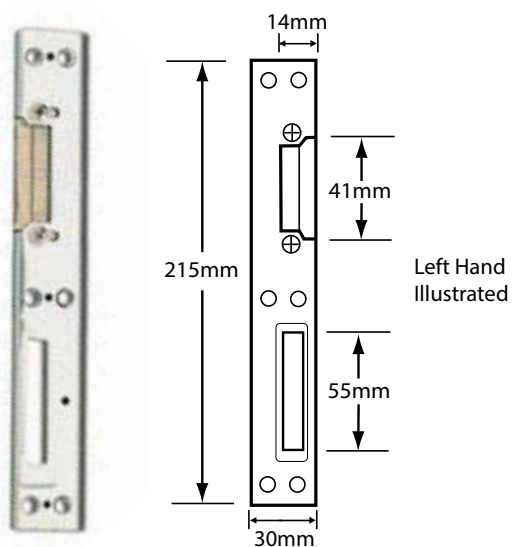
## Features

- Sash keep to suit timber
- Reversible



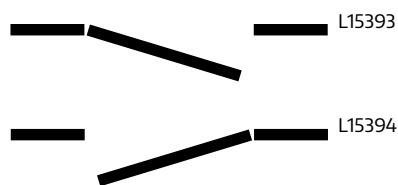
Product Code	Length	Width
L15572	175mm	20mm

## LOCKMASTER Centre Keep



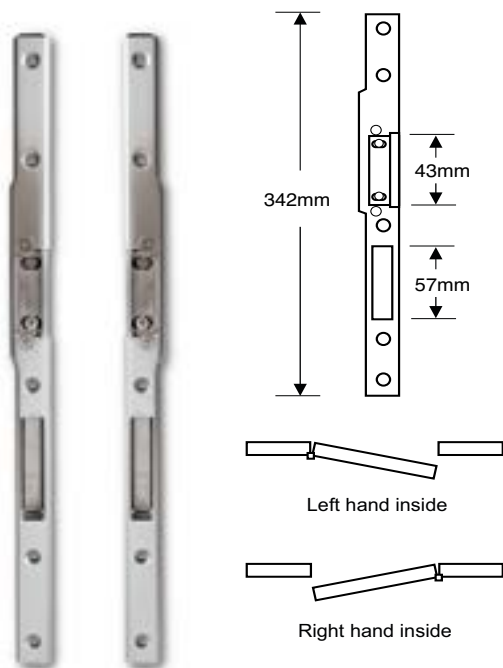
### Features

- Screw fixed
- Adjustable latch keep



Product Code	Handed	Length	Width
L15393	Left Hand	225mm	30mm
L15394	Right Hand	225mm	30mm

## WINKHAUS U20 Centre Keep



### Features

- To suit Latch & Deadbolt
- 340mm x 20mm x 20mm
- Available right & left handed
- Product sold individually

### Overview

Centre keep to suit Winkhaus latch & deadbolt multi point lock systems. This product is available either right or left handed, and each product is sold individually. Dimensions of the U20 Centre Keep are 340mm x 20mm x 20mm.

Product Code	Handed	Depth	Length	Width	Mfr Ref.
L23614	Left Hand	20mm	340mm	20mm	1886085
L23615	Right Hand	20mm	340mm	20mm	1886077

## YALE YS170 Centre Keep



### Features

---

- Latch & Hook centre keep
- To suit Yale YS170 multipoint locks

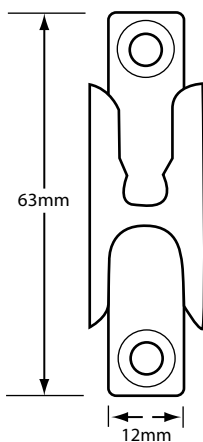
### Overview

---

This handed centre keep from Yale is designed to suit the YS170 range of multipoint locks. This centre keep features countersunk screw holes for a flush fixing and Allen key driven cams to allow for fine adjustment of the locking point.

Product Code	Finish	Handed	Length	Width	Mfr Ref.
L26615	Steel	Left Hand	240mm	27mm	Y21652825
L26616	Steel	Right Hand	240mm	27mm	Y21652825

## ASEC Retro Fit Combined Mushroom Or Roller Keep

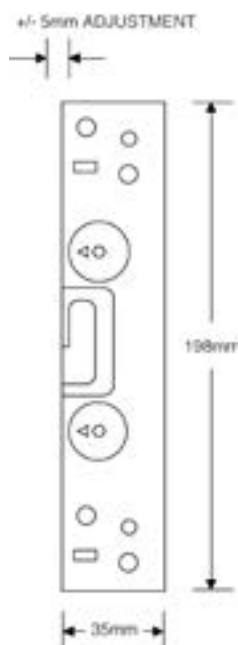


### Features

- Universal keep
- Reversible for mushroom or roller
- Ideal for retro fit

Product Code	Mfr Ref.	Length	Width
L18614	NWHDKRMK	63mm	12mm

## ASEC Modular Repair Lock Keep - Mushroom



### Features

- Keep to suit Asec Modular Repair Locks
- Fully adjustable packers
- Cam fastenings allow full adjustment of each locking point
- Steel construction

### Overview

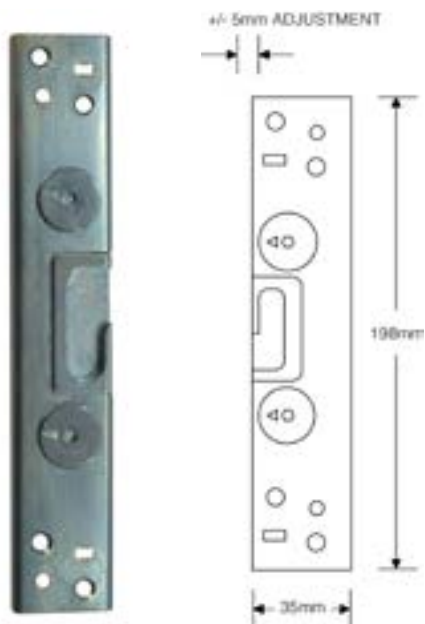
Mushroom keep suitable for use with the Asec Modular Repair Lock System.

### Associated Products

ASEC Modular Repair Lock Locking Point Extensions (UPVC Door)  
 - 2 Mushroom & 2 Roller  
 AS10314 Std

Product Code	Handed
AS10309	Left Hand
AS10308	Right Hand

ASEC Modular Repair Lock Keep - Roller



Features

- Keep to suit Asec Modular Repair Locks
- Fully adjustable packers
- Cam fastenings allow full adjustment of each locking point
- Steel construction

Overview

Roller keep suitable for use with the Asec Modular Repair Lock System.

Associated Products

ASEC Modular Repair Lock Locking Point Extensions (UPVC Door) - 2 Mushroom & 2 Roller  
AS10314 Std

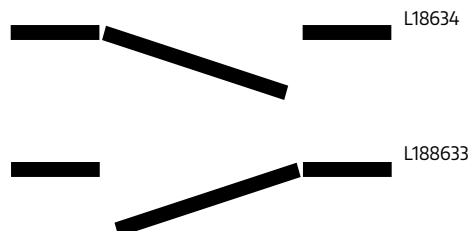
Product Code	Handed
AS10307	Left Hand
AS10306	Right Hand

AVOCET Full Length Keep - 2 Hook 2 Roller



Features

- To Suit L17414



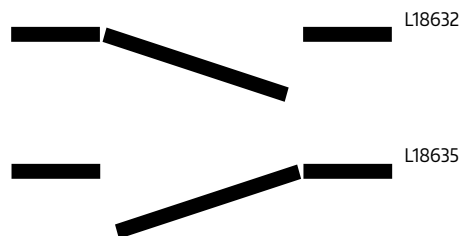
Product Code	Finish	Handed	Hooks	Roller	Mfr Ref.
L18634	Chrome Plated	Left Hand	2	2	DKPN352H2RLT
L18633	Chrome Plated	Right Hand	2	2	DKPN352H2RRT

## AVOCET Full Length Keep - 2 Hook 4 Roller



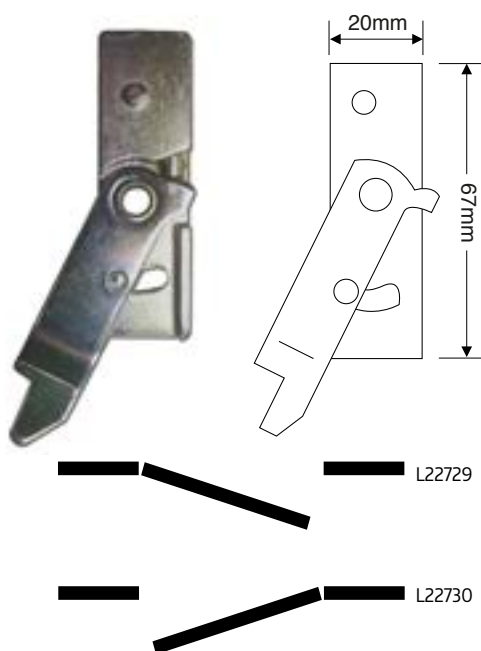
### Features

- To Suit L15357



Product Code	Finish	Handed	Hooks	Roller	Mfr Ref.
L18632	Chrome Plated	Left Hand	2	4	DKPN352H4RLT
L18635	Chrome Plated	Right Hand	2	4	DKPN352H4RRT

## AVOCET ASL Spring Loaded Multipoint Sashlifter



### Features

- Lifts sagging UPVC doors
- Aligns locking points with keeps
- Spring loaded
- Easy to fit
- Solid metal construction

### Overview

This sashlifter is fitted to the door to counter the effect of door drop. When the door is closed the sashlifter lifts the door so that when it closes it marries up the locking points with their respective keeps for smooth and reliable Overview.

### Associated Products

AVOCET Lever Operated Latch & Deadbolt Twin Spindle - 2 Hook 4 Roller

- L15357 35/92-62
- L20458 35/92-62 c/w Sashlifter

AVOCET Lever Operated Latch & Deadbolt Twin Spindle - 2 Hook 2 Roller

- L17414 35/92-62
- L20457 35/92-62 c/w Sashlifter

Product Code	Finish	Handed	Depth	Height	Width
L22729	Silver	Left Hand	7mm	67mm	20mm
L22730	Silver	Right Hand	7mm	67mm	20mm

## AVOCET Shootbolt Keep



### Features

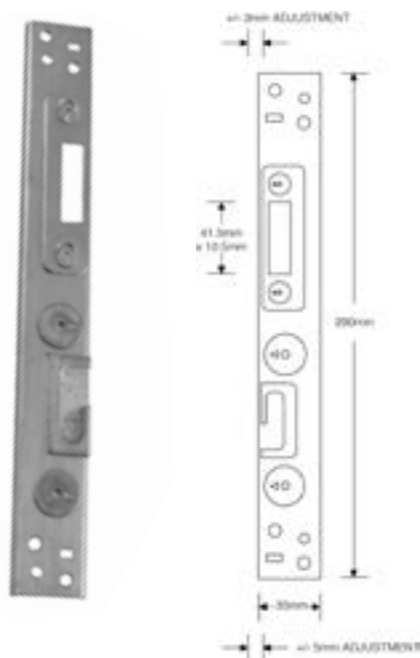
- Stainless steel finish
- Keep to suit Avocet multipoint locks

### Overview

Keep to suit Avocet shootbolt additional locking points.

Product Code	Handed	Mfr Ref.	Type	Type Of Door
L26457	Left	DKSDKLSS	Shootbolt Keep	Single Door
L26459	Double	DKSDKRSS	Shootbolt Keep	Double/French Doors
L26458	Right	DKSDKRSS	Shootbolt Keep	Single Door

## CHAMELEON Modular Repair Lock Hook &amp; Roller Keep



### Features

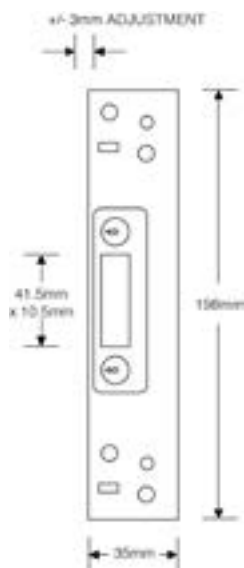
- Keep to suit Chameleon modular repair lock hook & roller locking points
- Fully adjustable packers
- Cam fastenings allow full adjustment of each locking point
- Supplied as a pair (top & bottom)

### Operation

A hook & roller locking point keeps are supplied as a pair (top & bottom), they are suitable for use with the Asec Modular Repair Lock System with cam controlled adjustable locking point receivers.

Product Code	Handed
CH10304	Reversible

## CHAMELEON Modular Repair Lock Hook Keep



### Features

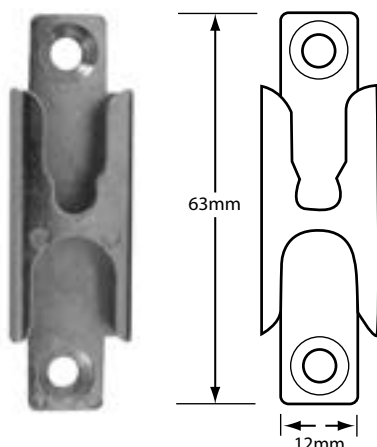
- Keep to suit Chameleon modular repair lock hook locking point
- Fully adjustable packers
- Cam fastenings allow full adjustment of each locking point

### Overview

A hook locking point keep, suitable for use with the Asec Modular Repair Lock System with cam controlled adjustable locking point receivers.

Product Code
CH10305

## CHAMELEON Modular Repair Lock Mushroom Or Roller Keep



### Features

- Keep to suit Chameleon modular repair lock mushroom or roller locking points
- Reversible with different locking point on either end
- Countersunk fastening holes

### Overview

A reversible mushroom or roller locking point keep that is suitable for use with the Asec Modular Repair Lock System, it is a solid metal casting and has 2 countersunk fixing holes.

Product Code	Handed	Length	Width
CH18614	Reversible	63mm	12mm

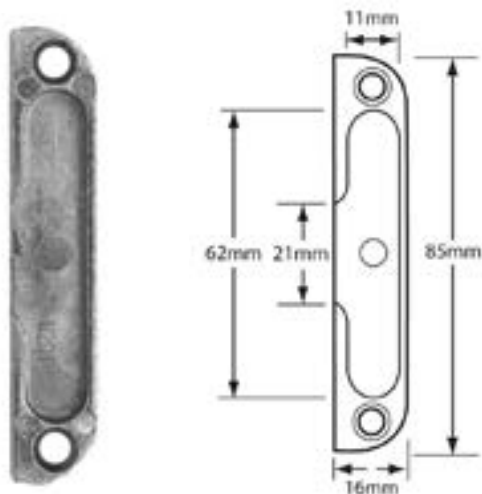


FERCO E11637-00-0-3 Roller Keep



Features

- Screw fixed
- Will suit older type locks



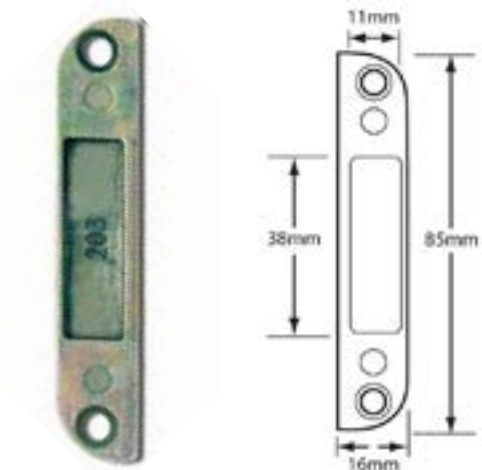
Product Code	Length	Width
L14405	85mm	26mm

FERCO E11639-00-0-3 Latch Keep



Features

- Screw fixed
- Will suit older type locks



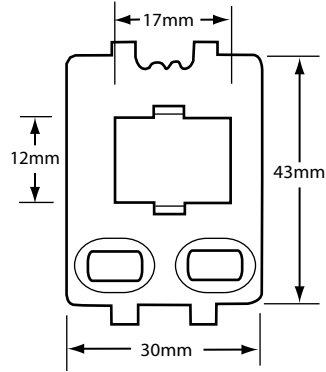
Product Code	Length	Width
L14406	85mm	26mm

## FUHR 42420355185 Single Shootbolt Keep



### Features

- Screw fixed
- Adjustable plate



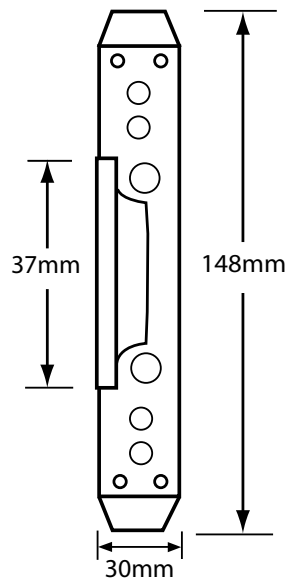
Product Code	Height	Width	Mfr Ref.
L18044	43mm	30mm	42420355185

## FUHR 56630013 Adjustable Hook Keep



### Features

- Screw fixed
- Adjustable plate



Product Code	Height	Width
L15568	148mm	30mm

FUHR RRV45509X Adjustable Deadbolt Keep

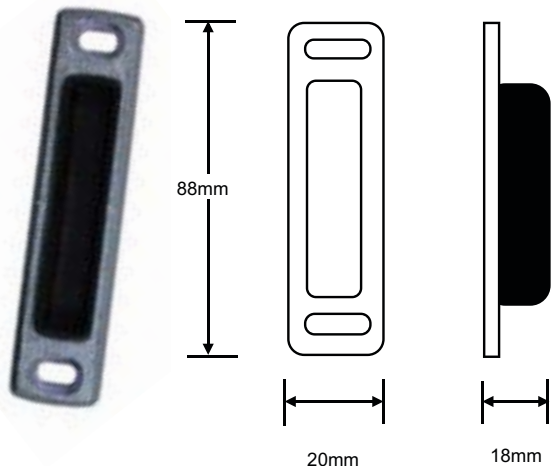


Features

- Adjustable
- Keep suitable for deadbolts

Overview

The Fuhr RRV45509X is an Adjustable Deadbolt Keep, custom engineered to ensure an accurate fit. This particular keep is a secure and user friendly solution for your deadbolt application.



Product Code	Depth	Height	Width	Mfr Ref.
L23578	18mm	88mm	20mm	RRV45509X

FULLEX XL Full Length One Piece Keep - 2 Hook & 2 Roller



Features

- Easy To Fit
- Tidy & Secure Solution
- Ideal to retrofit over existing holes in the frame

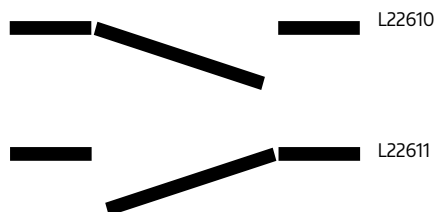
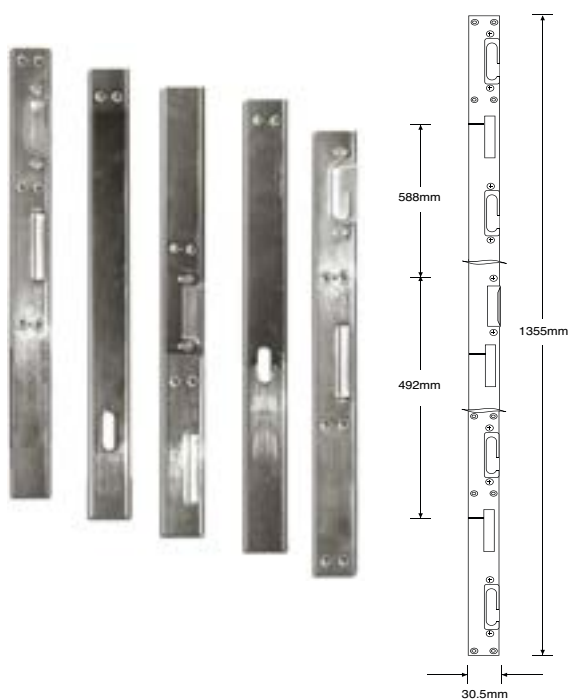
Overview

A full length one piece keep to suit the 2 hook & 2 roller Fullex XL multi point lock

Associated Products

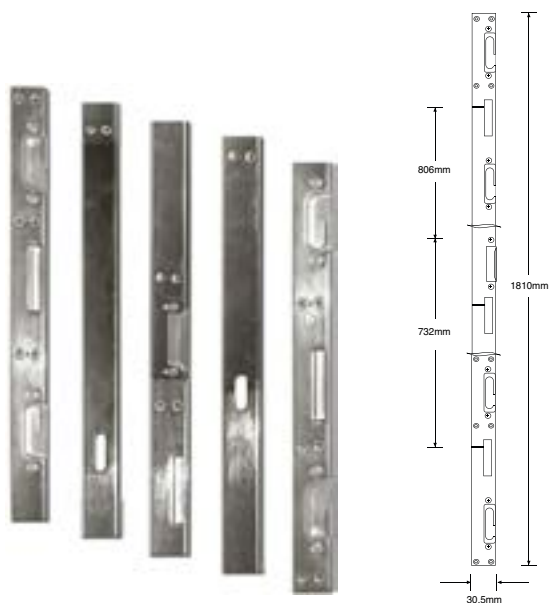
FULLEX XL Lever Operated Latch & Hookbolt -  
2 Hook, 2 Anti-Lift & 2 Roller  
L22605 35/92

FULLEX XL Lever Operated Latch & Hookbolt Twin Spindle -  
2 Hook, 2 Anti-Lift & 2 Roller  
L22604 35/92-62



Product Code	Handed	Mfr Ref.
L22610	Left Hand	XLK2L518
L22611	Right Hand	XLK2R518

## FULLEX XL Full Length One Piece Keep - 2 Hook & 4 Roller



### Features

- Easy To Fit
- Tidy & Secure Solution
- Ideal to retrofit over existing holes in the frame

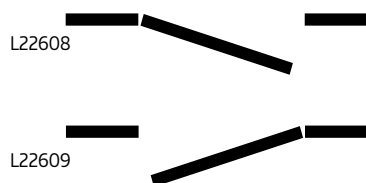
### Overview

A full length one piece keep to suit the 2 hook & 4 roller Fullex XL multi point lock

### Associated Products

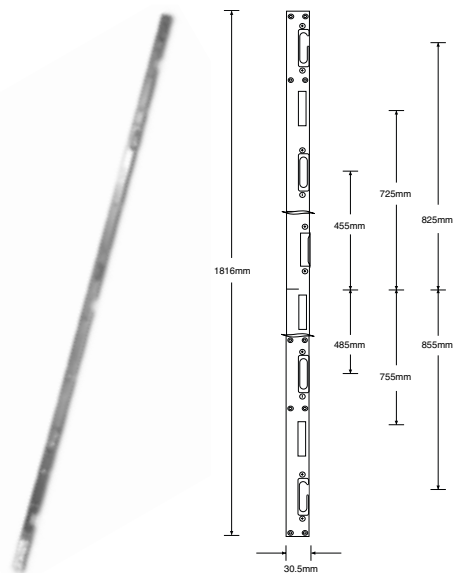
FULLEX XL Lever Operated Latch & Hookbolt -  
2 Hook, 2 Anti-Lift & 4 Roller  
L22603 35/92

FULLEX XL Lever Operated Latch & Hookbolt Twin Spindle -  
2 Hook, 2 Anti-Lift & 4 Roller  
L22602 35/92-62



Product Code	Handed	Mfr Ref.
L22608	Left Hand	XLK4L7474
L22609	Right Hand	XLK4R7474

## GU 3000 ProLock Long Full Length Keep



### Features

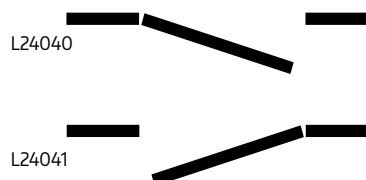
- To suit GU ProLock Long multipoint lock
- Full length keep

### Overview

Full length keep by GU to suit the GU 3000 ProLock Long multipoint lock system. Available both left and right handed.

### Associated Products

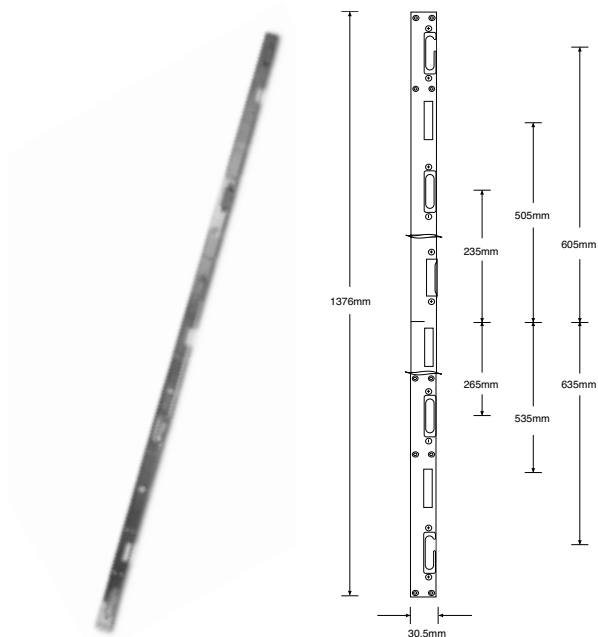
GU 3000 ProLock Long Lever Operated Latch & Deadbolt -  
2 Hook 4 Roller  
L24039 35/92-62 Long



Product Code	Handed	Length	Width	Hooks	Mfr Ref.
L24040	Left	1377mm	30.5mm	2	DLGUPROKEEPLOCKLONGLH
L24041	Right	1818mm	30.5mm	2	DLGUPROKEEPLOCKLONGRH

# Keeps & Strikes - Locking Point

## GU 3000 ProLock Short Full Length Keep



### Features

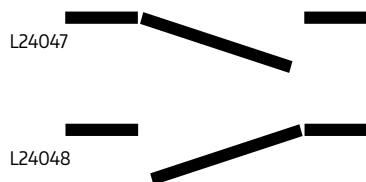
- To suit GU ProLock Short multipoint lock
- Full length keep

### Overview

Full length keep by GU to suit the GU 3000 ProLock Short multipoint lock system. Available both left and right handed.

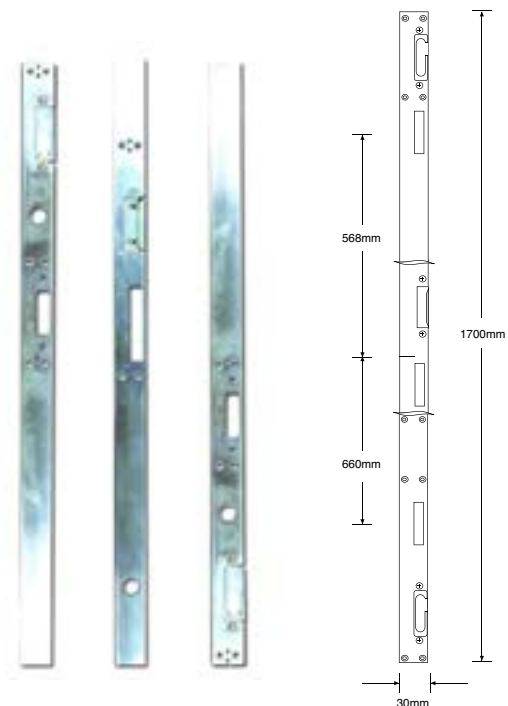
### Associated Products

GU 3000 ProLock Short & Slave Lever Operated Latch & Deadbolt - 2 Hook 4 Roller  
 L24042 35/92-62 Slave  
 L24046 35/92-62 Short



Product Code	Handed	Width	Length	Hooks	Mfr Ref.
L24047	Left	30.5mm	1376mm	2	DLGUPROKEEPLOCKSHORTLH
L24048	Right	30.5mm	1376mm	2	DLGUPROKEEPLOCKSHORTRH

## GU L-10000-17 Full Length 2 Hook Keep



### Features

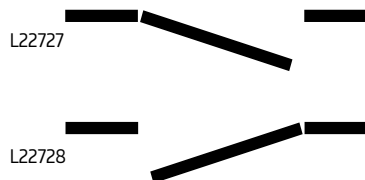
- Full length Keep
- To take 2 hooks & 2 rollers
- Handed product
- Neat finish to frame

### Overview

A GU full length to take 2 rollers with a latch & deadbolt centre case.

### Associated Products

GU Lever Operated Latch & Deadbolt - 2 Hook 2 Outboard Roller  
 L15340 35/92  
 L20575 30/92



Product Code	Handed	Length	Width	Roller	Mfr Ref.
L22727	Right Hand	1700mm	30mm	2	2 ROLLER L-10000-17-L-1
L22728	Left Hand	1700mm	30mm	2	2 ROLLER L-10000-17-R-1

## GU Secury Europa Full Length Keep - 2 Hook 2 Roller



### Features

- To suit GU Secury Europa 2R/2SH 35/92 1050
- Full length keep

### Overview

Full length keep by GU to suit the GU Secury Europa 2R/2SH 35/92 1050 multipoint lock system. Available both left and right handed.

### Associated Products

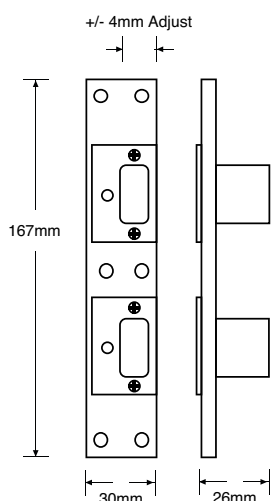
GU Secury Europa 2R/2SH 1050 Multipoint Lock - 2 Hook 2 Roller

- L24337 35/92 - 6-32602-02-0-1
- L24338 35/92 - 6-32602-08-0-1



Product Code	Handed	Mfr Ref.	Suits Product
L24341	Left	L-10000-15-L-1	GU Secury Europa 2R/2SH 35/92 1050
L24339	Left	L-10000-17-L-1	GU Secury Europa 2R/2SH 35/92 1050
L24342	Right	L-10000-15-R-1	GU Secury Europa 2R/2SH 35/92 1050 Short
L24340	Right	L-10000-17-R-1	GU Secury Europa 2R/2SH 35/92 1050 Short

## GU 3000 Pro Shootbolt Keep To Suit ProLock Slave



### Features

- To suit GU ProLock Slave multipoint lock
- Shootbolt keep
- Screw fixed
- Adjustable plate

### Overview

Shootbolt keep by GU to suit the GU 3000 ProLock Slave multipoint lock system.

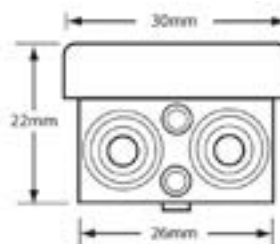
### Associated Products

GU 3000 ProLock Short & Slave Lever Operated Latch & Deadbolt - 2 Hook 4 Roller

- L24042 35/92-62 Slave
- L24046 35/92-62 Short

Product Code	Depth	Length	Width	Mfr Ref.
L24044	26mm	167mm	30mm	DLGUPROSHTBLTKPDL
L24045	26mm	94mm	30mm	DLGUPROSHTBLTKPSGL

## GU 56-93798901 Packers



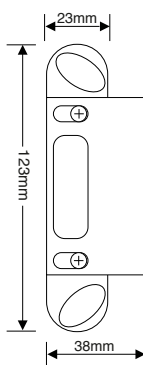
### Features

- Designed to fit behind the strike to suit different profiles

#### Product Code

L15610

## GU 6-35591-03-0-1 Timber Deadbolt Keep



### Features

- Suitable for use on door thickness of 54-56mm
- Suitable for timber doors

### Overview

The GU 6-35591-03-0-1 is a non handed deadbolt keep suitable for use on timber doors with a thickness between 54-56mm.

Product Code	Length	Width	Mfr Ref.
L24735	123mm	38mm	6-35591-03-0-1

## GU E199560003 Hinge Bolt Keep



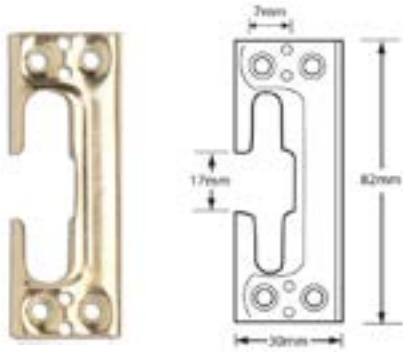
### Features

- Adjustable fixings

#### Product Code

L12059

## GU 9-379860003 Roller Keep

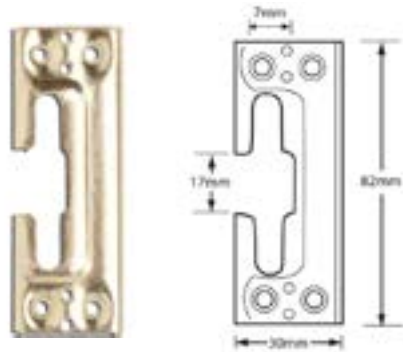


### Features

- Screw fixed

Product Code	Length	Width
L12051	82mm	30mm

## GU 9-379870003 Mushroom Keep



### Features

- Screw fixed

Product Code	Length	Width
L12052	82mm	30mm

## GU E11413 Timber Hook / Deadbolt Keep



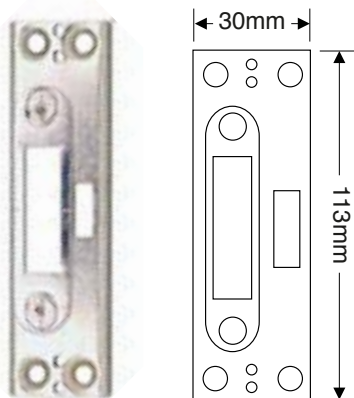
### Features

- Deadbolt keep to suit timber
- Screw fixed

Product Code	Length	Width
L15571	95mm	20mm



GU Hook Bolt Keep

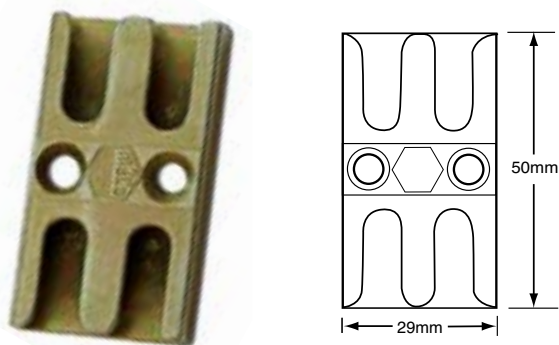


Features

- Screw fixed
- Adjustable plate

Product Code	Length	Width
L15385	113mm	30mm

MACO Universal Espag Keep

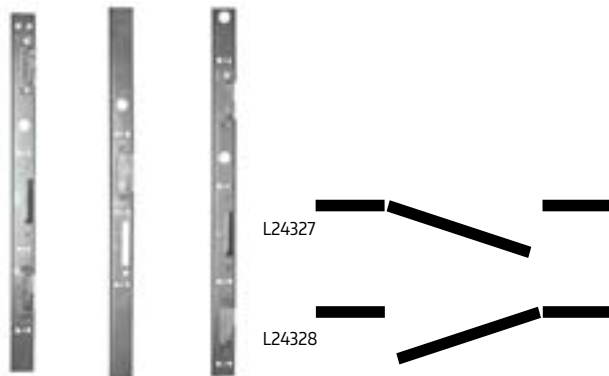


Features

- Universal Espag Keep

Product Code	Length	Width
L15399	49mm	28mm

MILA Master Full Length Keep - 2 Hook & 4 Roller



Features

- Keep to suit Mila Master 2 hook - 4 roller
- Easy installation
- Full length

Overview

A full length keep to suit the Mila Master 2 hook & 4 roller multi point lock.

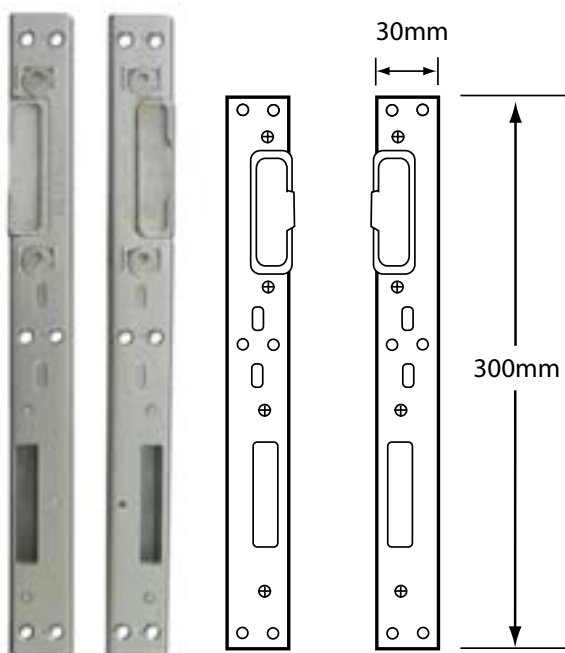
Associated Products

MILA Master Lever Operated Latch & Deadbolt Twin Spindle - }2 Hook & 4 Roller  
L18379 35/92-62

Product Code	Handed	Mfr Ref.
L24327	Left Handed	420290
L24328	Right Handed	420291

## LOCKMASTER 1 Hook & 1 Roller Anti-Lift Keeps

**LOCKMASTER**



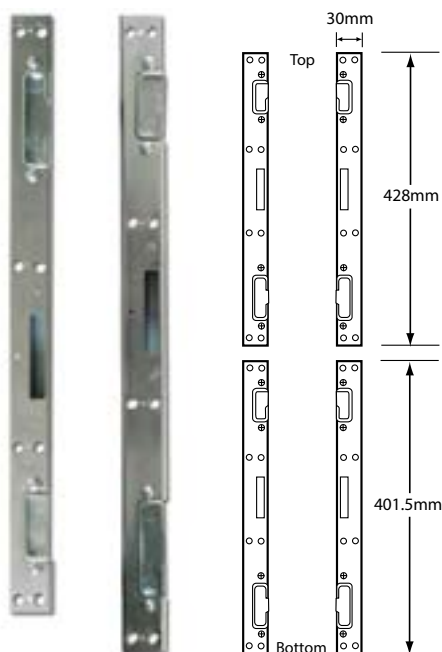
### Features

- Set of 2 keeps
- Provides anti-lift protection

Product Code	Height	Length	Width	Hooks	Roller	Mfr Ref.
L21687	300mm	300mm	30mm	1	1	PAD90023

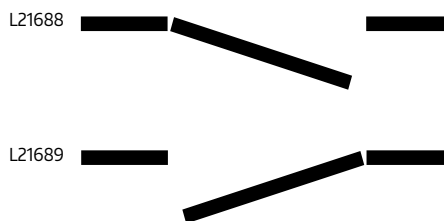
## LOCKMASTER 1 Hook & 2 Roller Keep

**LOCKMASTER**



### Features

- Left & right hand versions available
- Suitable for 1 hook & 2 rollers



Product Code	Handed	Height	Length	Width	Hooks	Roller	Mfr Ref.
L21688	Left Hand	401mm & 428mm	401mm & 428mm	30mm	1	2	PAD90061S
L21689	Right Hand	401mm & 428mm	401mm & 428mm	30mm	1	2	PAD90062S

## ROTO Timber Flat Casement Window Lock Strike



### Features

- For timber applications
- Ribbed back for stable installation
- Metal construction

### Overview

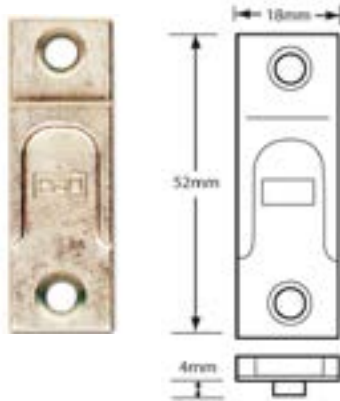
A screw fixed flat casement strike for timber window applications.

### Associated Products

ROTO Tilt Before Turn Window Handle With Fork Spindle  
L22681 Silver

Product Code	Application	Finish
L22680	Wooden	Silver

## SIEGENIA S10720 Roller Keep

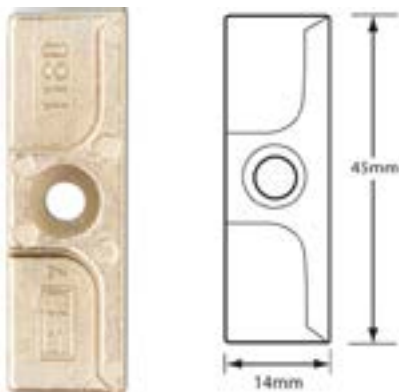


### Features

- Screw fixed

Product Code	Length	Width
L15577	52mm	17mm

## SIEGENIA S11180 Roller Keep

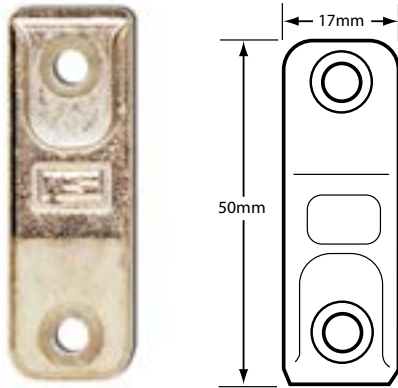


### Features

- Screw fixed

Product Code	Length	Width
L15575	45mm	14mm

## SIEGENIA S1136153 Roller Keep

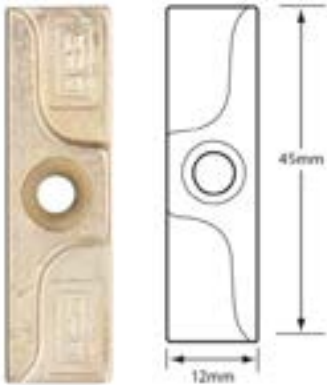


### Features

- Screw fixed

Product Code	Length	Width
L15576	50mm	17mm

## SIEGENIA S11661 Roller Keep

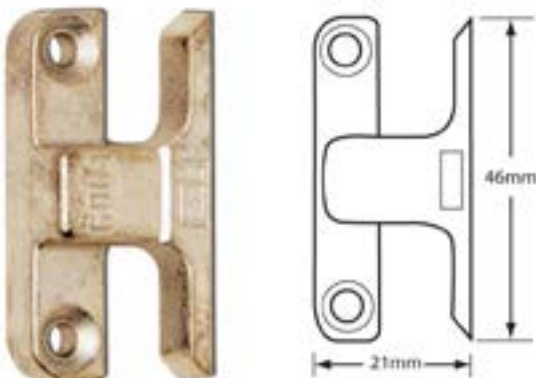


### Features

- Screw fixed

Product Code	Length	Width
L15574	45mm	12mm

## SIEGENIA S1600-1 Roller Keep

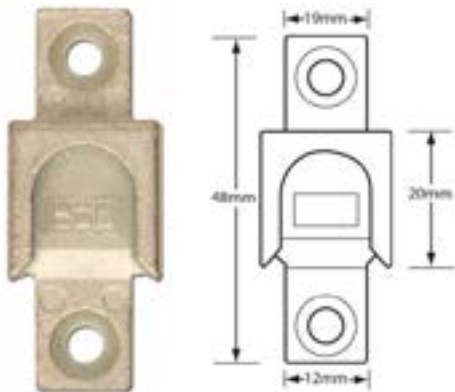


### Features

- Screw fixed

Product Code	Length	Width
L15578	46mm	21mm

## SIEGENIA S1700 Roller Keep

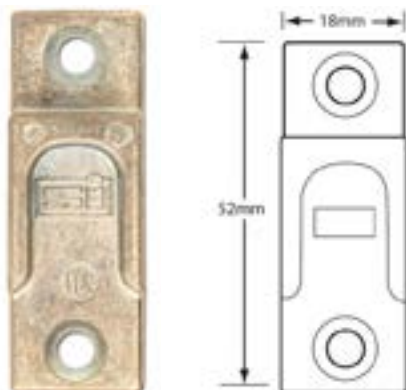

 SIEGENIA AUBI  
SOLUZIONI INFERRE


## Features

- Screw fixed

Product Code	Length	Width
L15581	47mm	17mm

## SIEGENIA S1920 Roller Keep

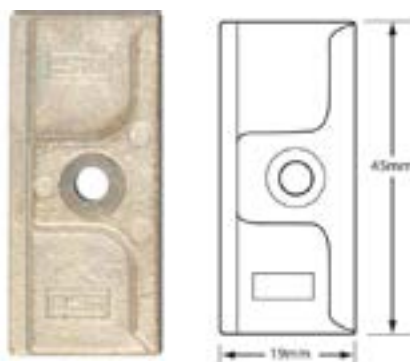

 SIEGENIA AUBI  
SOLUZIONI INFERRE


## Features

- Screw fixed

Product Code	Length	Width
L15579	52mm	17mm

## SIEGENIA S1940 Roller Keep

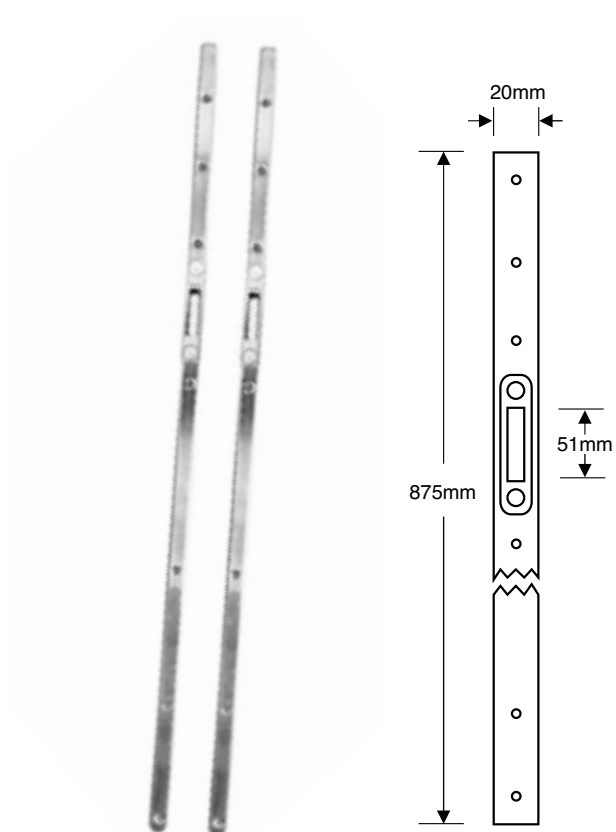

 SIEGENIA AUBI  
SOLUZIONI INFERRE


## Features

- Screw fixed

Product Code	Length	Width
L15573	45mm	19mm

## WINKHAUS U20 SKG MV2 Extension Keep Set



### Features

- Easy To Fit
- Set includes 2 hookbolt extension keeps
- To suit Winkhaus 2-Hook Multi Point Locks
- Profile specific keeps

### Overview

The Winkhaus U20 SKG MV2 is an extension keep set suitable for Winkhaus 2-Hook multipoint lock systems and contains 2 extension keeps.

### Associated Products

#### WINKHAUS U20 Centre Keep

- L23614 Left Handed
- L23615 Right Handed

Product Code	Depth	Finish	Handed	Length	Mfr Ref.	Screw Centres	Width
L23616	25mm	Silver	No	875mm	1974683	803mm	20mm

## YALE YS170 Hook Keep



### Features

- Hook Keep
- To suit Yale YS170 multipoint locks

### Overview

The Yale Y21652829 Hook Keep is designed to suit the YS170 range of multipoint locks. This hook keep features countersunk screw holes for a flush fixing and Allen key driven cams to allow for fine adjustment of the locking point.

Product Code	Finish	Handed	Length	Mfr Ref.	Width
L26614	Steel	Reversible	145mm	Y21652829	27mm

## ASEC UPVC Striker Kit



Product Code

L15580

## Features

- Promo Striker Accessory Kit
- Consists of various UPVC door keeps
- Latch and deadbolt packers etc

## Kit Content

- L12051 GU 9-379860003 Roller Keep x 6
- L15610 GU 56-93798901 Packers x 8
- L12049 GU 6-3001400 Centre Keep x 2
- L15581 SIEGENIA S1700 Roller Keep x 8
- L14406 FERCO E11639-00-0-3 Latch Keep x 2
- L15572 GU E13338 Timber Centre Keep x 2
- L15573 SIEGENIA S1940 Roller Keep x 8
- L12051 GU 9-379860003 Roller Keep x 6
- L15571 GU E11413 Timber Hook / Deadbolt Keep X 2
- L15569 ASEC Universal Centre Keep x 3
- L15574 SIEGENIA S11661 Roller Keep x 8
- L15575 SIEGENIA S11180 Roller Keep x 8
- L15576 SIEGENIA S1136153 Roller Keep x8
- L14405 FERCO E11637-00-0-3 Roller Keep x6
- L15579 SIEGENIA S1920 Roller Keepx8
- L15578 SIEGENIA S1600-1 Roller Keep x 6
- L15577 SIEGENIA S10720 Roller Keep x 8

## ASEC UPVC Window Accessory Kit



Product Code

L16226

## Features

- Roller Keeps
- Espag Rods In-line 250mm
- Espag Rods Offset 250mm
- Concealed Window Restrictor
- Saracen Window Centre Gearbox's
- Window Centre Drive gear

## Kit Content

- L12051 GU 9-379860003 Roller Keep x 6
- L15399 MACO Universal Espag Keep x10
- L18602 ERA Saracen Window Gearbox 22mm (11.5mm) x 1
- L18606 ERA Saracen Window Gearbox 22mm (9.5mm) x 1
- L15581 SIEGENIA S1700 Roller Keep x5
- L18591 MILA Standard UPVC Window Restrictor Catch (LH) x5
- L18590 MILA Standard UPVC Window Restrictor Catch (RH) x5
- L15405 MACO Inline Espag Rod 22mm x1
- L15410 MACO Inline Espag Rod 20mm x1
- L15581 SIEGENIA S1700 Roller Keep x 5
- L15573 SIEGENIA S1940 Roller Keep
- L15574 SIEGENIA S11661 Roller Keep
- L18588 MILA Restrictor Catch Stud Plate (11.5mm) x5
- L18587 MILA Restrictor Catch Stud Plate (12.5mm) x5
- L18603 ERA Saracen Roller Latch Window Gearbox (11.5mm shoot bolt) x1
- L18605 ERA Saracen Roller Latch Window Gearbox (14.5mm shoot bolt) x1
- L15575 SIEGENIA S11180 Roller Keep x5
- L15579 SIEGENIA S1920 Roller Keep x5
- L15578 SIEGENIA S1600-1 Roller Keep x5
- L15576 SIEGENIA S1136153 Roller Keep x5
- L15577 SIEGENIA S10720 Roller Keep

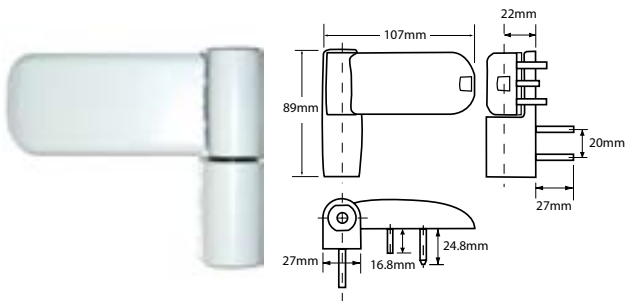
# Accessories

---

Hinges	<b>524 - 527</b>
Pet Flaps	<b>528</b>
Closers	<b>529</b>
Letter Cages	<b>530</b>
Patch Fittings	<b>531 - 536</b>
Strips & Seals	<b>537 - 545</b>
Window Wedges	<b>545 - 549</b>
Thresholds & Weather Bars	<b>550 - 553</b>
Intumescent	<b>554</b>
Fixing Kit	<b>555</b>
Miscellaneous	<b>556</b>
Extension Piece	<b>557</b>



## ASEC Adjustable Flag Hinge For UPVC Doors



## Features

- Suitable for sash up stands of 14mm - 20mm
- 105mm flag to ensure maximum fixings into reinforcement
- 80kg sash weight (2 hinges)
- 10 year mechanical guarantee
- Cover protects lateral adjustment mechanism and sash fixings
- Adjustable in all 3 planes.

## Overview

Stylish contemporary design, suits the Imperial door handle range. Patented system allows ample adjustment in all 3 planes quickly and easily.

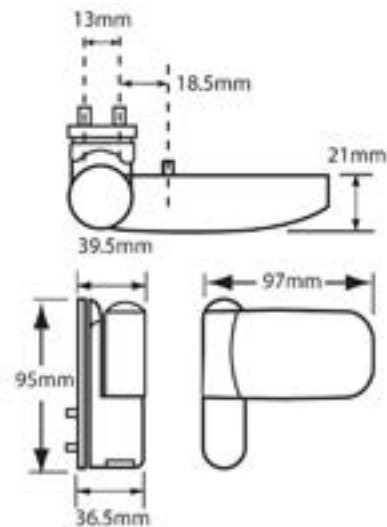
Product Code	Finish	Height	Mfr Ref.
L18392	White	107mm	L18392

## AVOCET 3D Triad Flag Hinge



## Features

- 3 way adjustment.
- To suit rebate heights 12-16mm.
- Simple Allen Key adjustment.



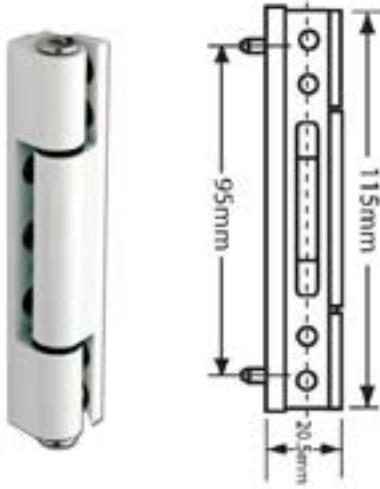
Product Code	Finish	Height	Mfr Ref.
L18642	Black	97mm	ET3DBL
L18641	Brown	97mm	ET3DBR
L18640	Chrome Plated	97mm	ET3DCH
L18639	Gold	97mm	ET3DCG
L18638	White	97mm	ET3DWH

### AVOCET Adjustable Angled Hinge



#### Features

- Up to 15mm adjustment.
- Removable pin for ease of assembly.
- Security grub screw.



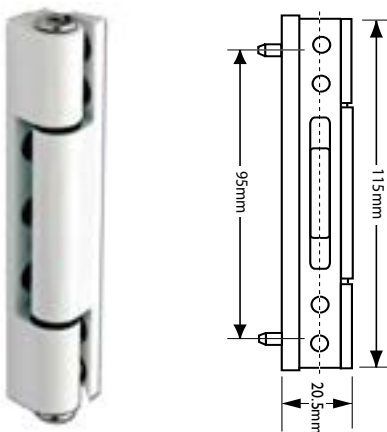
Product Code	Bevelled Angle	Finish	Height	Mfr Ref.
L18637	13°	White	115mm	H115WHA

### AVOCET Adjustable Flat Butt Hinge



#### Features

- Up to 15mm adjustment.
- Removable pin for ease of assembly.
- Security grub screw.



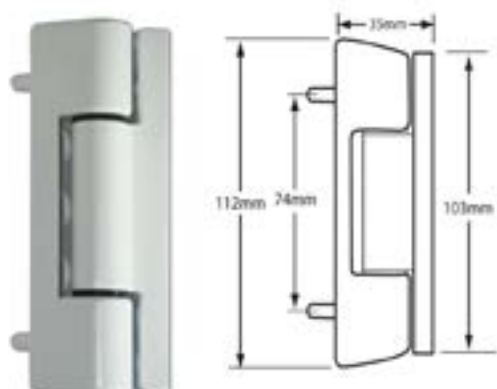
Product Code	Bevelled Angle	Finish	Height	Mfr Ref.
L18636	0°	White	115mm	H115WHF

## FAB &amp; FIX 2D Harbour Hinge



### Features

- 2D adjustable.
- 15° Angle.



Product Code	Bevelled Angle	Finish	Height	Mfr Ref.
L18643	15°	White	112mm	DHB15WH

## FAB &amp; FIX DHSWH UPVC Door Hinge



### Features

- Butt hinge for UPVC doors.
- 0°, 5° or 15° bevelled angles available
- Vertical and horizontal adjustment of +/-2mm for ease of installation



Product Code	Bevelled Angle	Finish	Height	Mfr Ref.
L12141	0°	White	100mm	DHSWH00
L12142	15°	White	100mm	DHSWH15
L12140	5°	White	100mm	DHSWH

FULLEX Crimebeater 3D Hinge



Features

- 3 way on the door adjustment
- Sash and frame elements packed individually for ease of fabrication
- 10 year guarantee
- BS 1670 and PAS23/24 compliant
- Secured by Design Approved

Overview

The Fullex Crimebeater 3D door hinge has been designed to fit the 44mm hinge plate supplied with the Crimebeater door lock range. These hinges are suitable for use on composite doors and provides 3 way on-the-door adjustment.

Secured by Design



Police Preferred Specification

Product Code	Finish	Mfr Ref.
L25248	White	80004
L25249	Brown	80005
L25250	Gold	80006
L25251	Silver	80007

FULLEX Butt Hinge GDE 200



Features

- 5 knuckle stainless steel ball bearing hinge
- Cranked leaf design
- BS 1670 and PAS23/24 compliant
- Secured by Design Approved

Overview

This range of Fullex 5 knuckle stainless steel ball bearing cranked hinge offers smooth, hardwearing Overview and simple fitting.

Secured by Design



Police Preferred Specification

Product Code	Finish	Mfr Ref.
L25252	White	80021
L25253	Brass	80022
L25254	Chrome	80023

## STAYWELL Pet Door 4 Way Lock 900 Series Cat Flap




### Features

- 4 locking options: in only, out only, opened, and locked
- Suitable for cats up to 7 kg (15 lbs)
- 3 Year Warranty

### Overview

The classic pet flap with 4 locking options.

### Notes

Max 7kg (cats and small dogs)

Product Code	Finish	Height	Mfr Ref.
L18630	White	224mm	919

## STAYWELL Pet Door 700 Series Cat Flap




### Features

- Standard 2 way Overview
- Closing panel included
- 3 Year Warranty

### Overview

The original non-locking 2 way pet flap which is suitable for cats and small dogs.

### Notes

Max 7kg (cats and small dogs)

Product Code	Finish	Height	Mfr Ref.	Width
L18629	Brown	236mm	730	198mm
L18628	White	236mm	715	198mm
L18631	Brown	352mm	755	294mm

Asec Classic Size 3-4 Overhead Door Closer



Features

- 10 year guarantee
- BS EN 1154 compliant
- Strength Size 3-4
- Adjustable Latch Action
- Adjustable Closing Action
- Fig 1, Fig 61 & Fig 66 Applications

Overview

A perfect door closer for the majority of applications including fire doors.



Product Code	Adjustable Latch Action	Depth	Finish	Length	Width
AS3010	Yes	61mm	Polished Brass	190mm	47mm
AS3000	Yes	61mm	Silver Enamelled	190mm	47mm
AS3050	Yes	61mm	Satin Stainless Steel	190mm	47mm

**We stock a Wide Range of Door Closers from industry leading brands**

ASSA ABLOY

**Briton**

## A. HARVEY 62L Large Letter Cage



#### Features

---

- Available in three colours

#### Overview

---

Ideal for back of the door, easy retrieval of post. Can be padlocked

Product Code	Depth	Finish	Length	Mfr Ref.	Width
L13006	203mm	Chrome Plated	457mm	62L	330mm
L00023	203mm	Electro Brass	457mm	62L	330mm
10366	203mm	White	457mm	62L	330mm

## A. HARVEY 62M Medium Letter Cage



#### Overview

---

Ideal for back of the door, easy retrieval of post. Can be padlocked

Product Code	Depth	Finish	Length	Mfr Ref.	Width
L13005	153mm	Chrome Plated	355mm	62M	255mm
6921	153mm	Electro Brass	355mm	62M	255mm
6934	153mm	White	355mm	62M	255mm

## A. HARVEY 62S Small Letter Cage



#### Overview

---

Ideal for back of the door, easy retrieval of post. Can be padlocked

Product Code	Depth	Finish	Length	Mfr Ref.	Width
L13004	127mm	Chrome Plated	305mm	62S	228mm
6925	127mm	Electro Brass	305mm	62S	228mm
6931	127mm	White	305mm	62S	228mm

## DORMA Lock Keep Plate Universal Patch Fitting

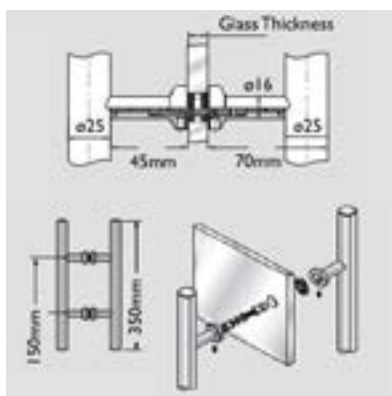


### Notes

This item is available to order via our Specials department.

Product Code	Finish	Mfr Ref.
L18785	Anodised Aluminium	80519000099

## DORMA Manet Back To Back Pull Handle Universal Patch Fitting



### Notes

This item is available to order via our Specials department.

Product Code	Finish	Mfr Ref.
L18772	Stainless Steel	Magnet

## DORMA Universal Rail End Cap



### Notes

This item is available to order via our Specials department.

Product Code	Finish	Mfr Ref.
L18729	Anodised Aluminium	80408200255
L18725	Stainless Steel	80400757740



## DORMA Universal Rail Escutcheon



### Notes

---

This item is available to order via our Specials department.

Product Code	Finish	Mfr Ref.
L18727	Anodised Aluminium	80405800140
L18730	Stainless Steel	80405870040

## DORMA Universal Rail Insert



### Notes

---

This item is available to order via our Specials department.

Product Code	Mfr Ref.
L18726	80460400099
L18728	80461000099

### DORMA PT10 Bottom Corner Pivot Hinge Universal Patch Fitting To Suit 10mm - 12mm Glass



### Notes

---

This item is available to order via our Specials department.

Product Code	Finish	Mfr Ref.
L18797	Anodised Aluminium	PT10
L18796	Satin Stainless Steel	PT10

DORMA Junior Lever Handle Universal Patch Fitting



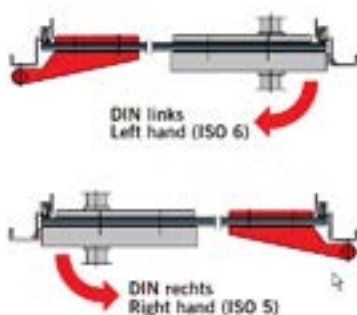
Notes

This item is available to order via our Specials department.



Product Code	Finish
L18774	Anodised Aluminium
L18773	Satin Stainless Steel

DORMA Junior Office Universal Patch Lock



Notes

This item is available to order via our Specials department.

Associated Products

- DORMA Junior Lever Handle Universal Patch Fitting
- L18773 SSS
- L18774 SAA

Product Code	Finish
L18776	Anodised Aluminium
L18764	Anodised Aluminium
L18775	Satin Stainless Steel
L18765	Satin Stainless Steel

DORMA PT40 Top Corner Pivot Hinge Universal Patch Fitting To Suit 10mm - 12mm Glass



Notes

This item is available to order via our Specials department.

Product Code	Finish	Mfr Ref.
L18791	Anodised Aluminium	PT40
L18790	Satin Stainless Steel	PT40

### DORMA US10 Top Lock Universal Patch Fitting To Suit 10mm - 12mm Glass



#### Notes

This item is available to order via our Specials department.

Product Code	Finish	Mfr Ref.
L18789	Anodised Aluminium	US10
L18788	Satin Stainless Steel	US10

### DORMA US20 Centre Lock Universal Patch Fitting To Suit 10mm - 12mm Glass



#### Notes

This item is available to order via our Specials department.

Product Code	Finish	Mfr Ref.
L18787	Anodised Aluminium	US20
L18786	Satin Stainless Steel	US20

### DORMA PT20 Top Corner Pivot Hinge Universal Patch Fitting To Suit 10mm - 12mm Glass



#### Notes

This item is available to order via our Specials department.

Product Code	Finish	Mfr Ref.
L18795	Anodised Aluminium	PT20
L18794	Satin Stainless Steel	PT20

## DORMA PT30 Top Corner Pivot Hinge Universal Patch Fitting To Suit 10mm - 12mm Glass



### Notes

This item is available to order via our Specials department.



Product Code	Finish	Mfr Ref.
L18793	Anodised Aluminium	PT30
L18792	Satin Stainless Steel	PT30

## DORMA 100mm Bottom Rail Universal Patch Fitting



### Notes

This item is available to order via our Specials department.



### Associated Products

#### DORMA Universal Rail Insert

- L18726 Bottom Rail
- L18728 Top Rail

#### DORMA Universal Rail End Cap

- L18725 SS
- L18729 SAA

#### DORMA Universal Rail Escutcheon

- L18727 SAA
- L18730 SS

#### DORMA Universal Euro Base Rail Lock

- L18724 250mm Long

Product Code	Finish	Notes
L18784	Anodised Aluminium	Without Lock
L18782	Anodised Aluminium	With Lock
L18783	Satin Stainless Steel	Without Lock
L18781	Satin Stainless Steel	With Lock

## DORMA 100mm Top Rail Universal Patch Fitting



### Notes

This item is available to order via our Specials department.

### Associated Products

DORMA 80472400099 Euro Deadlock Rail Kit  
L18995 For Patch Fitting

DORMA Universal Rail Insert  
L18726 Bottom Rail  
L18728 Top Rail

DORMA Universal Rail End Cap  
L18725 SS  
L18729 SAA

Product Code	Finish
L18780	Anodised Aluminium
L18778	Anodised Aluminium
L18779	Satin Stainless Steel
L18777	Satin Stainless Steel

## DORMA 80472400099 Euro Deadlock Rail Kit



### Notes

This item is available to order via our Specials department.

Product Code	Mfr Ref.
L18995	80472400099

## DORMA Universal Euro Base Rail Lock

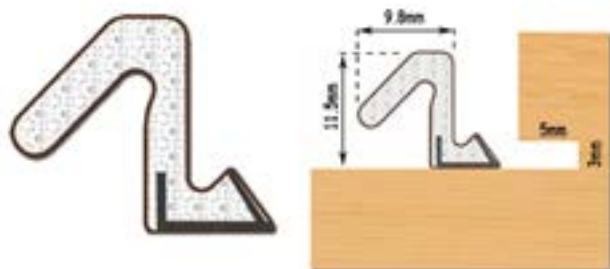


### Notes

This item is available to order via our Specials department.

Product Code	Length	Mfr Ref.
L18724	250mm	80472100099

### EXITEX Aquatex A10 Door Seal



#### Features

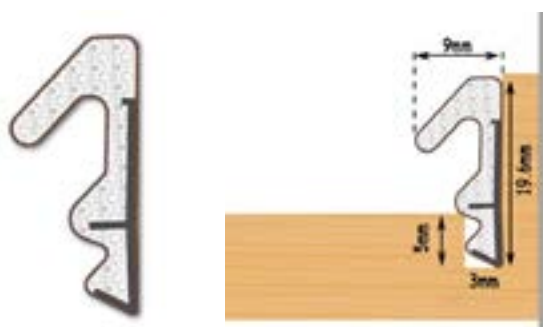
- Seals gaps 5mm - 9mm
- Life time guarantee

#### Overview

A 6 metre strip of door seal to protect against wind, dust and noise.

Product Code	Finish	Length	Mfr Ref.
L22724	Brown	6m	1.27.021.0006.10
L22725	White	6m	1.27.021.0006.35

### EXITEX Aquatex S20 Door Seal



#### Features

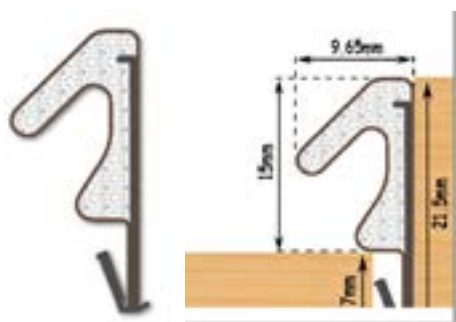
- Seals gaps 5mm - 7.5mm
- Lifetime guarantee
- Supplied in 6m lengths

#### Overview

A 6 metre strip of door seal to protect against wind, dust and noise.

Product Code	Finish	Length	Mfr Ref.
L23542	White	6m	1.27.124.006.35

### EXITEX Aquatex S21 Door Seal



#### Features

- Seals gaps 5mm - 8mm
- Lifetime guarantee
- Supplied in 6m lengths

#### Overview

A 6 metre strip of door seal to protect against wind, dust and noise.

Product Code	Finish	Length	Mfr Ref.
L23543	White	6m	1.28.091.006.35

## EXITEX Aquatex S25 Door Seal



### Features

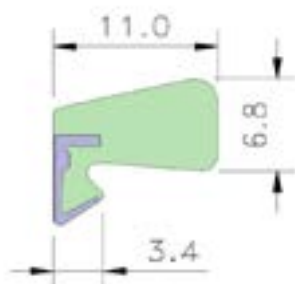
- Seals gaps 5mm - 6.5mm
- Lifetime guarantee
- Supplied in 6m lengths

### Overview

A 6 metre strip of door seal to protect against wind, dust and noise.

Product Code	Finish	Length	Mfr Ref.
L23544	White	6m	1.28.097.006.35

## SCHLEGEL AQUAMAC 109 Draught Strip Seal



### Features

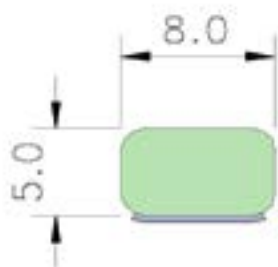
- Cut to length in 1m Increments
- Replaces damaged door seals

### Overview

Replacement weatherproof seals for UPVC and composite doors.

Product Code	Finish	Height	Length	Mfr Ref.
L22879	White	3.5mm - 5.5mm	1m	AQUMAC 109W
L18679	White	3.5mm - 5.5mm	250m	AQUMAC 109W

## SCHLEGEL AQUAMAC 122 Draught Strip Seal



### Features

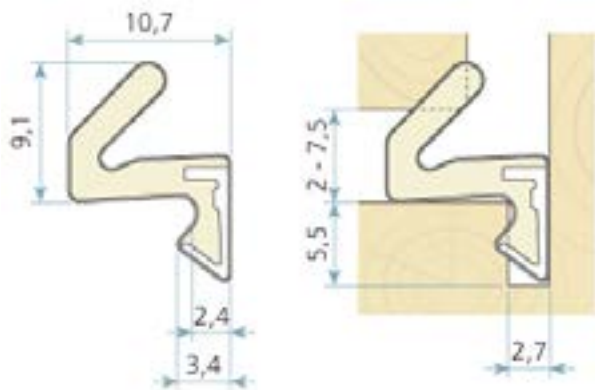
- Replaces damaged door seals

### Overview

Replacement weatherproof seals for UPVC and composite doors.

Product Code	Finish	Height	Length	Mfr Ref.
L22881	White	2.5mm - 4mm	1m	AQUMAC 122W
L18678	White	2.5mm - 4mm	100m	AQUMAC 122W

### SCHLEGEL AQUAMAC 21 Draught Strip Seal



#### Features

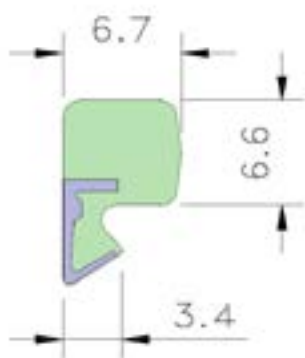
- Supplied in 6m, 15m & 250m Lengths
- Replaces damaged door seals
- Brown = Bronze RAL8017

#### Overview

Replacement weatherproof seals for UPVC and composite doors.

Product Code	Finish	Height	Length	Mfr Ref.
L22586	Brown	5mm - 7.5mm	6m	AQUMAC AQ21B 6M
L22588	Brown	5mm - 7.5mm	15m	AQUMAC AQ21B 15M
L22880	White	5mm - 7.5mm	1m	AQUMAC 21W
L22590	White	5mm - 7.5mm	6m	AQUMAC AQ21W 6M
L22592	White	5mm - 7.5mm	15m	AQUMAC AQ21W 15M
L18682	White	5mm - 7.5mm	250m	AQUMAC 21W

### SCHLEGEL AQUAMAC 63 Draught Strip Seal



#### Features

- Supplied in 6m & 15m Lengths
- Replaces damaged door seals
- Brown = Bronze RAL8017

#### Overview

Replacement weatherproof seals for UPVC and composite doors.

Product Code	Finish	Height	Length	Mfr Ref.
L22587	Brown	3.5mm - 5.4mm	1m	AQUMAC 63B 6M
L22589	Brown	3.5mm - 5.4mm	1m	AQUMAC 63B 15M
L18681	White	3.5mm - 5.4mm	1m	AQUMAC 63W
L22593	White	3.5mm - 5.4mm	1m	AQUMAC 63W 15M
L22591	White	3.5mm - 5.4mm	1m	AQUMAC 63W 6M



## SCHLEGEL AQUAMAC 89 Draught Strip Seal



### Features

- Cut to length in 2.1m Increments
- Replaces damaged door seals

### Overview

Replacement weatherproof seals for UPVC and composite doors.

Product Code	Finish	Height	Length	Mfr Ref.
L18680	White	5mm -13mm	2.1m	AQUMAC 89W

## REDDIPLEX Fir Tree Gasket Seal To Suit UPVC Doors & Windows

**REDDIPLEX**


### Features

- Cut to length in 1m Increments
- Replaces damaged door seals

Product Code	Finish	Length	Mfr Ref.
L22887	Black	1m	R654291

## REDDIPLEX Flipper Gasket Seal To Suit UPVC Doors & Windows

**REDDIPLEX**


### Features

- Cut to length in 1m Increments
- Replaces damaged door seals

Product Code	Finish	Length	Mfr Ref.
L22888	Black	1m	R40559/X

REDDIPLEX Oval Bubble Gasket Seal To Suit UPVC Doors & Windows

**REDDIPLEX**



**Features**

- Cut to length in 1m Increments
- Replaces damaged door seals

Product Code	Finish	Length	Mfr Ref.
L22884	Black	250m	R667991

REDDIPLEX Round & Flipper Gasket Seal To Suit UPVC Doors & Windows

**REDDIPLEX**



**Features**

- Cut to length in 1m Increments
- Replaces damaged door seals

Product Code	Finish	Length	Mfr Ref.
L22886	Black	1m	R972601

REDDIPLEX Round Bubble Gasket Seal To Suit UPVC Doors & Windows

**REDDIPLEX**

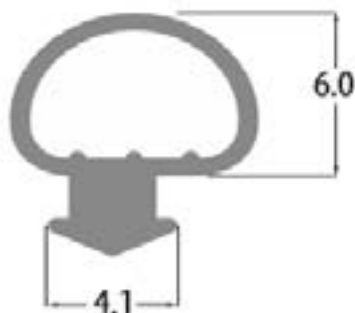


**Features**

- Cut to length in 1m Increments
- Replaces damaged door seals

Product Code	Finish	Length	Mfr Ref.
L22885	Black	1m	R357501
L18683	Black	300m	116773 - Round

## REDDIPLEX EPDM 6mm Bubble Seal Gasket To Suit UPVC Doors & Windows

**REDDIPLEX**


### Features

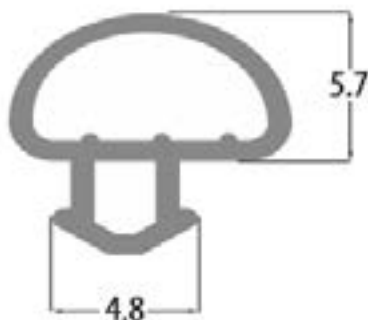
- Cut to length in 1m increments
- Replaces damaged door & window seals

### Overview

REDDIPLEX EPDM bubble seal gasket to suit UPVC doors & windows. Available to purchase in 1 metre increments.

Product Code	Finish	Length	Mfr Ref.
L25013	Black	1m	R606491X

## REDDIPLEX TPR 5.7mm Bubble Seal Gasket To Suit UPVC Doors & Windows

**REDDIPLEX**


### Features

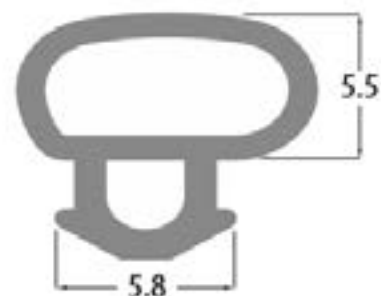
- Cut to length in 1m increments
- Replaces damaged door & window seals

### Overview

REDDIPLEX TPR 5.7mm bubble seal gasket to suit UPVC doors & windows. Available to purchase in 1 metre increments.

Product Code	Finish	Length	Mfr Ref.
L25014	Black	1m	R629991X

## REDDIPLEX TPR 5.5mm Bubble Seal Gasket To Suit UPVC Doors & Windows

**REDDIPLEX**


### Features

- Cut to length in 1m increments
- Replaces damaged door & window seals

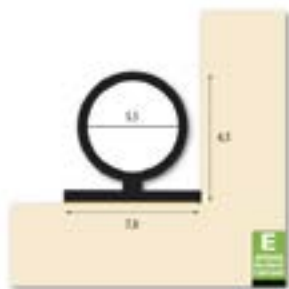
### Overview

REDDIPLEX TPR bubble seal gasket to suit UPVC doors & windows. Available to purchase in 1 metre increments.

Product Code	Finish	Length	Mfr Ref.
L25016	Black	1m	R667991

## REDDIPLEX 5.5mm Acoustic Bubble Seal To Suit Timber, Steel & Composite Doors

**REDDIPLEX**



### Features

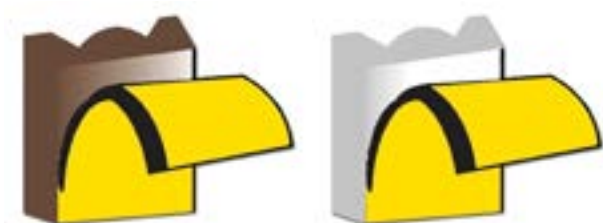
- Designed to provide an effective barrier seal perimeter gaps in pedestrian doorsets
- Supplied with a high performance adhesive
- Cut to length in 50m increments
- Quick and easy to fit with no special tools required
- To suit new build or retrofit applications
- High performance over a wide temperature range

### Overview

The R9927 Bubble Seal from Reddiplex is designed to provide effective acoustic and smoke perimeter sealing for both new and new retrofit timber, steel & composite applications.

Product Code	Finish	Length	Mfr Ref.
L26473	Brown	50m	992751
L26474	White	50m	992752

## EXITEX E Strip Self Adhesive Door Seal



### Features

- Self adhesive closed cell EPDM
- Will not absorb moisture
- Non stretch backing tape

### Overview

A self adhesive 5 metre strip of door seal to protect against wind, dust and noise with non stretch backing for ease of fitting.

Product Code	Finish	Length	Mfr Ref.
L22719	Brown	5m	1.03.001.0005.10
L22720	White	5m	1.03.001.0005.35

## EXITEX Flex'n'Seal Screw Fixed Door Surround Seal



### Features

- For inward and outward opening doors and windows
- An aluminium carrier with tough black EPDM seal, with non-stretch cord
- Does not restrict door closing and allows for 5mm of door movement
- Ready mitred corners for that perfect finish
- Screw-slot fixing for adjustment

### Overview

This screw fixed door surround seal has an extruded aluminium carrier with a tough black EPDM seal for a neat and robust finish whilst not restricting the door closing and still allowing 5mm of door movement.

Product Code	Finish	Height	Length	Mfr Ref.	Width
L22696	Gold	6mm	5180mm (2 x 2134mm & 1 x 914mm)	1.01.150.5180.15	19mm
L22697	Silver	6mm	5180mm (2 x 2134mm & 1 x 914mm)	1.01.150.5180.30	19mm

## EXITEX P Strip Self Adhesive Door Seal



### Features

- Self adhesive closed cell EPDM
- Will not absorb moisture
- Non stretch backing tape

### Overview

A self adhesive 5 metre strip of door seal to protect against wind, dust and noise with non stretch backing for ease of fitting.

Product Code	Finish	Length	Mfr Ref.
L22721	Black	5m	1.03.002.0005.00
L22722	Brown	5m	1.03.002.0005.10
L22723	White	5m	1.03.002.0005.35

## EXITEX Pin Fixed Pile Weather Set Brush Seal



### Features

- Neat aesthetic P.V.C. profile
- Resilient polypropylene pile forms an effective draught seal
- Pile will not rot or decay
- Stainless steel pin fixing into preformed holes

### Overview

This pin fixed pile weather set brush seal has a PVC carrier and a resilient polypropylene pile brush.

Product Code	Depth	Finish	Length	Mfr Ref.	Width
L22710	8mm	Brown	5m	1.01.345.5180.12	16mm
L22711	8mm	White	5m	1.01.345.5180.35	16mm

## EXITEX QDS Screw Fixed Door Surround Seal



### Features

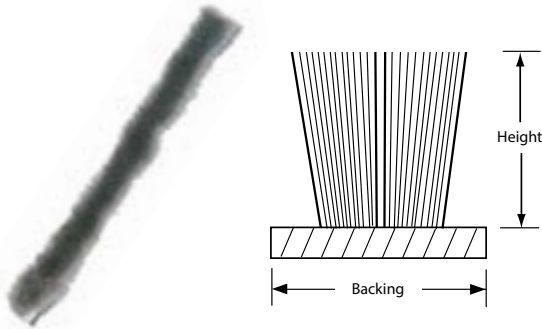
- Aluminium carrier with Aquatex gasket
- Neat aesthetic aluminium profile
- An excellent product for weatherproofing around doors and windows
- Ready mitred corners for perfect finish

### Overview

This screw fixed door surround seal has an extruded aluminium carrier with an Aquatex gasket for a neat and robust finish.

Product Code	Finish	Length	Mfr Ref.	Width
L22712	Gold	5180mm (2 x 2134mm & 1 x 914mm)	1.01.414.5180.15	28mm
L22713	Silver	5180mm (2 x 2134mm & 1 x 914mm)	1.01.414.5180.30	28mm

POLYBOND Pile Brush Seal



Features

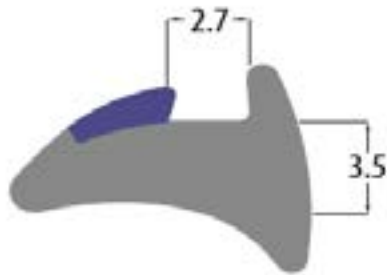
- Cut to length in 1m increments
- Mainly used on metal doors
- Ideal for draught exclusion

Overview

Replacement weatherproof seals for UPVC and composite doors.

Product Code	Height	Length	Mfr Ref.	Width
L18677	5.5mm	100m	11110552	4.8mm
L22883	5.5mm	1m	11110552	4.8mm
L22882	7mm	1m	11190706	6.9mm

REDDIPLEX UPVC 3.5mm Blue Wedge Gasket To Suit UPVC Doors & Windows



Features

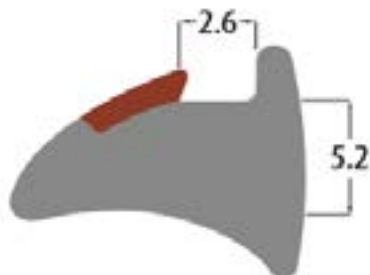
- Cut to length in 1m increments
- Replaces damaged door & window seals

Overview

REDDIPLEX UPVC blue wedge gasket to suit UPVC door & windows. Available to purchase in 1 metre increments.

Product Code	Finish	Length	Mfr Ref.
L25003	Black	1m	R323401

REDDIPLEX UPVC 5.2mm Brown Wedge Gasket To Suit UPVC Doors & Windows



Features

- Cut to length in 1m increments
- Replaces damaged door & window seals

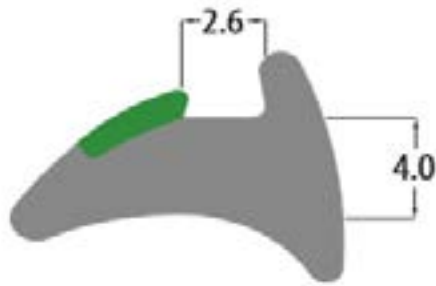
Overview

REDDIPLEX UPVC brown wedge gasket to suit UPVC doors & windows. Available to purchase in 1 metre increments.

Product Code	Brand	Finish	Length	Mfr Ref.
L25004	Reddiplex	Black	1m	R323101

## REDDIPLEX UPVC 4mm Green Wedge Gasket To Suit UPVC Doors & Windows

REDDIPLEX



### Features

- Cut to length in 1m increments
- Replaces damaged door & window seals

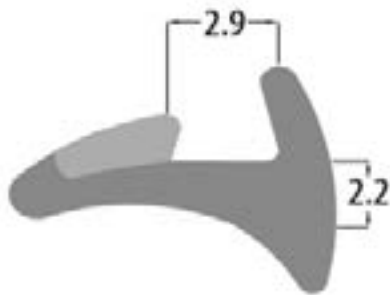
### Overview

REDDIPLEX UPVC green wedge gasket to suit UPVC doors & windows. Available to purchase in 1 metre increments.

Product Code	Brand	Finish	Length	Mfr Ref.
L25005	Reddiplex	Black	1m	R323301

## REDDIPLEX UPVC 2.2mm Grey Wedge Gasket To Suit UPVC Doors & Windows

REDDIPLEX



### Features

- Cut to length in 1m increments
- Replaces damaged door & window seals

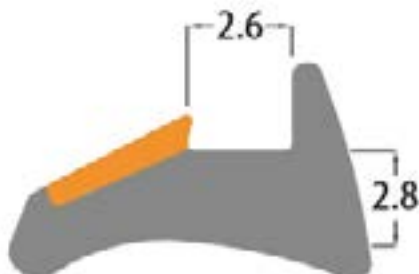
### Overview

REDDIPLEX UPVC grey wedge gasket to suit UPVC doors & windows. Available to purchase in 1 metre increments.

Product Code	Finish	Length	Mfr Ref.
L25006	Black	1m	R323701

## REDDIPLEX UPVC 2.8mm Orange Wedge Gasket To Suit UPVC Doors & Windows

REDDIPLEX



### Features

- Cut to length in 1m increments
- Replaces damaged door & window seals

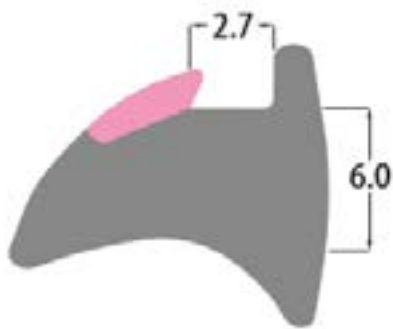
### Overview

REDDIPLEX UPVC orange wedge gasket to suit UPVC doors & windows. Available to purchase in 1 metre increments.

Product Code	Finish	Length	Mfr Ref.
L25007	Black	1m	R318802

**REDDIPLEX UPVC 6mm Pink Wedge Gasket  
To Suit UPVC Doors & Windows**

**REDDIPLEX**



**Features**

- Cut to length in 1m increments
- Replaces damaged door & window seals

**Overview**

REDDIPLEX UPVC pink wedge gasket to suit UPVC doors & windows. Available to purchase in 1 metre increments.

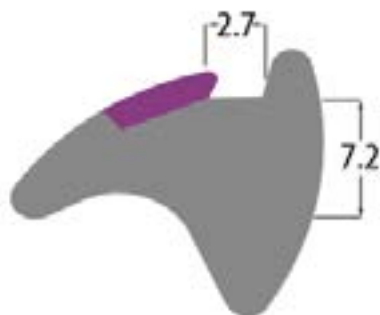
**Notes**

Cut to length in 1m increments

Product Code	Finish	Length	Mfr Ref.
L25008	Black	1m	R323001

**REDDIPLEX UPVC 7.2mm Purple Wedge Gasket  
To Suit UPVC Doors & Windows**

**REDDIPLEX**



**Features**

- Cut to length in 1m increments
- Replaces damaged door & window seals

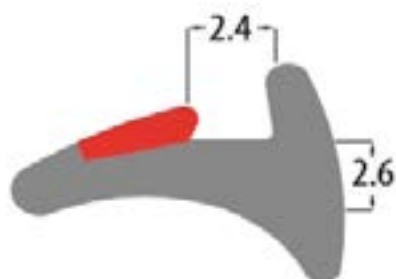
**Overview**

REDDIPLEX UPVC purple wedge gasket to suit UPVC doors & windows. Available to purchase in 1 metre increments.

Product Code	Finish	Length	Mfr Ref.
L25009	Black	1m	R336001

**REDDIPLEX UPVC 2.6mm Red Wedge Gasket  
To Suit UPVC Doors & Windows**

**REDDIPLEX**



**Features**

- Cut to length in 1m increments
- Replaces damaged door & window seals

**Overview**

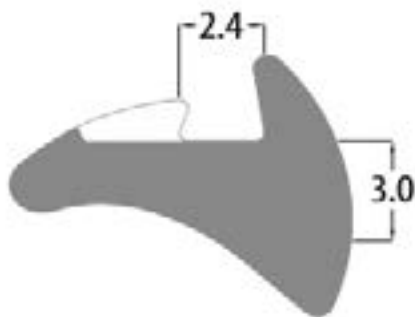
REDDIPLEX UPVC red wedge gasket to suit UPVC doors & windows. Available to purchase in 1 metre increments.

Product Code	Finish	Length	Mfr Ref.
L25010	Black	1m	R323601



## REDDIPLEX UPVC 3mm White Wedge Gasket To Suit UPVC Doors & Windows

REDDIPLEX



### Features

- Cut to length in 1m increments
- Replaces damaged door & window seals

### Overview

REDDIPLEX UPVC white wedge gasket to suit UPVC doors & windows. Available to purchase in 1 metre increments.

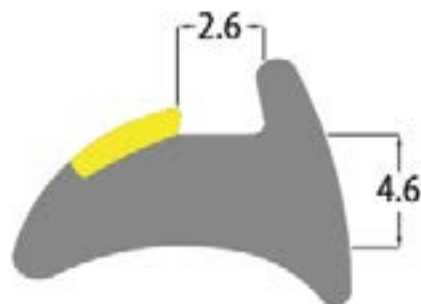
### Notes

Cut to length in 1m increments

Product Code	Finish	Length	Mfr Ref.
L25011	Black	1m	R323501

## REDDIPLEX UPVC 4.6mm Yellow Wedge Gasket To Suit UPVC Doors & Windows

REDDIPLEX



### Features

- Cut to length in 1m increments
- Replaces damaged door & window seals

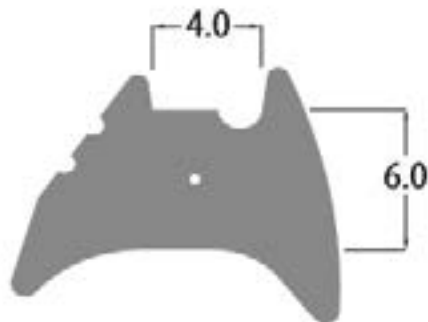
### Overview

REDDIPLEX UPVC yellow wedge gasket to suit UPVC doors & windows. Available to purchase in 1 metre increments.

Product Code	Finish	Length	Mfr Ref.
L25012	Black	1m	R323201

## REDDIPLEX TPR 6mm Wedge Gasket To Suit UPVC Doors & Windows

REDDIPLEX



### Features

- Cut to length in 1m increments
- Replaces damaged door & window seals

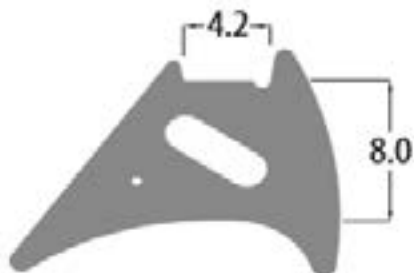
### Overview

REDDIPLEX TPR wedge gasket to suit UPVC doors & windows. Available to purchase in 1 metre increments.

Product Code	Finish	Length	Mfr Ref.
L25015	Black	1m	R637591

**REDDIPLEX TPR 8mm Bubble Seal Gasket  
To Suit UPVC Doors & Windows**

**REDDIPLEX**



**Features**

- Cut to length in 1m increments
- Replaces damaged door & window seals

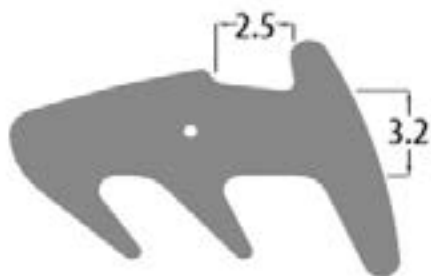
**Overview**

REDDIPLEX TPR 8mm bubble seal gasket to suit UPVC doors & windows. Available to purchase in 1 metre increments.

Product Code	Finish	Length	Mfr Ref.
L25017	Black	1m	R676801

**REDDIPLEX TPR 3.2mm Wedge Gasket  
To Suit UPVC Doors & Windows**

**REDDIPLEX**



**Features**

- Cut to length in 1m increments
- Replaces damaged door & window seals

**Overview**

REDDIPLEX TPR 3.2mm wedge gasket to suit UPVC doors & windows. Available to purchase in 1 metre increments.

Product Code	Finish	Length	Mfr Ref.
L25018	Black	1m	R922702

**REDDIPLEX TPR 5.2mm Wedge Gasket  
To Suit UPVC Doors & Windows**

**REDDIPLEX**



**Features**

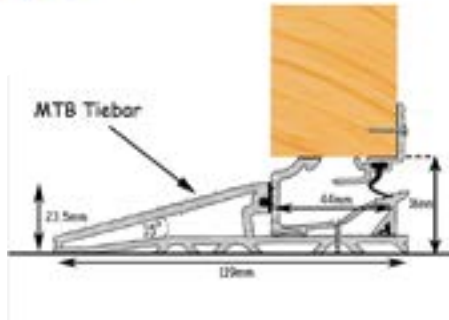
- Cut to length in 1m increments
- Replaces damaged door & window seals

**Overview**

REDDIPLEX TPR wedge gasket to suit UPVC doors & windows. Available to purchase in 1 metre increments.

Product Code	Finish	Length	Mfr Ref.
L25002	Black	1m	R336691

## EXITEX Hi Per Bar 28mm Clearance Inward Opening Weatherbar



### Features

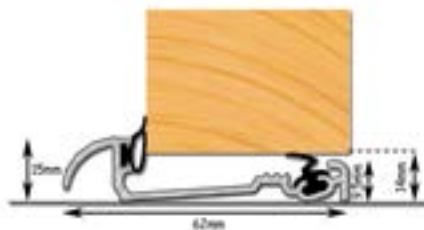
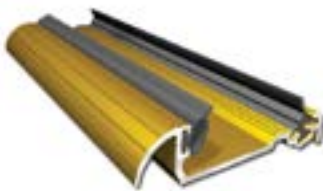
- For inward opening doors
- Under door clearance 28mm
- Suitable for exposed locations
- No seals underfoot to be damaged by foot traffic
- Accepts standard striker block

### Overview

An under door sill for inward opening doors with 28mm bottom clearance giving exceptional protection from the elements, dust and noise.

Product Code	Finish	Height	Length	Mfr Ref.	Width
L23538	Gold	23.5mm	914mm	1.01.170.0914.15	44mm
L23539	Silver	23.5mm	914mm	1.01.170.0914.30	44mm
L23540	Gold	23.5mm	1829mm	1.01.170.1829.15	44mm
L23541	Silver	23.5mm	1829mm	1.01.170.1829.30	44mm

## EXITEX Macclex 15/2 Threshold Door Sill



### Features

- For inward opening doors
- Under door clearance 12mm
- Suitable for moderate exposure
- Ideal for double doors
- Accepts MWK striker block for flush bolts in double doors

### Overview

An under door sill for inward opening doors giving protection from the elements, dust and noise.

Product Code	Finish	Height	Length	Mfr Ref.	Width
L22708	Gold	15mm	914mm	1.01.317.0914.15	62mm
L22709	Silver	15mm	914mm	1.01.317.0914.30	62mm

EXITEX Macclex 15/56 Threshold Door Sill For 56mm Doors



Features

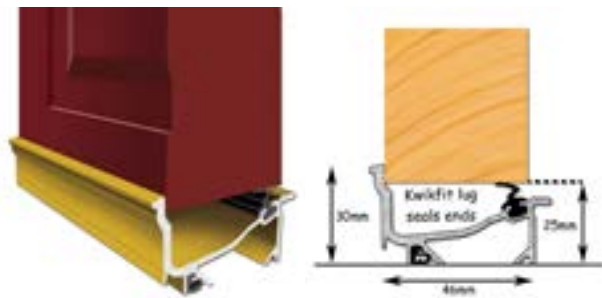
- For inward opening doors
- Under door clearance 12mm
- Suitable for moderate exposure
- Ideal for double doors
- Accepts MWK striker block for flush bolts in double doors
- Designed for 56mm thick doors

Overview

An under door sill for 56mm thick inward opening doors giving protection from the elements, dust and noise.

Product Code	Door Thickness	Finish	Height	Length	Mfr Ref.	Width
L22706	56mm	Gold	15mm	914mm	1.01.314.0914.15	71mm
L22707	56mm	Silver	15mm	914mm	1.01.314.0914.30	71mm

EXITEX Macclex 25mm Clearance Threshold Door Sill



Features

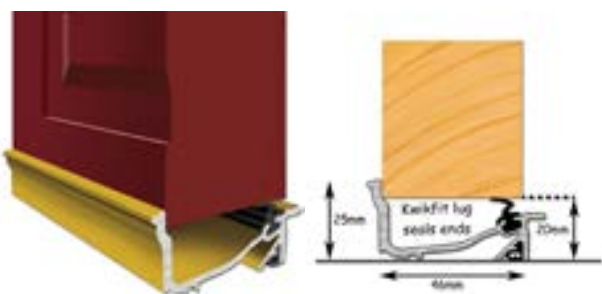
- For inward opening doors
- Under door clearance 25mm
- Suitable for exposed locations
- Ideal for double doors
- Accepts Exitex "patented" striker block

Overview

An under door sill for inward opening doors with 25mm bottom clearance giving exceptional protection from the elements, dust and noise.

Product Code	Finish	Height	Length	Mfr Ref.	Width
L22702	Gold	30mm	914mm	1.01.300.0914.15	46mm
L22703	Silver	30mm	914mm	1.01.300.0914.30	46mm

EXITEX Macclex Lowline 20mm Clearance Threshold Door Sill



Features

- For inward opening doors
- Under door clearance 20mm
- Suitable for exposed locations
- Ideal for double doors
- Accepts standard striker block

Overview

An under door sill for inward opening doors with 20mm bottom clearance giving exceptional protection from the elements, dust and noise.

Product Code	Finish	Height	Length	Mfr Ref.	Width
L22704	Gold	25mm	914mm	1.01.305.0914.15	46mm
L22705	Silver	25mm	914mm	1.01.305.0914.30	46mm

## EXITEX Threshold Door Sill



### Features

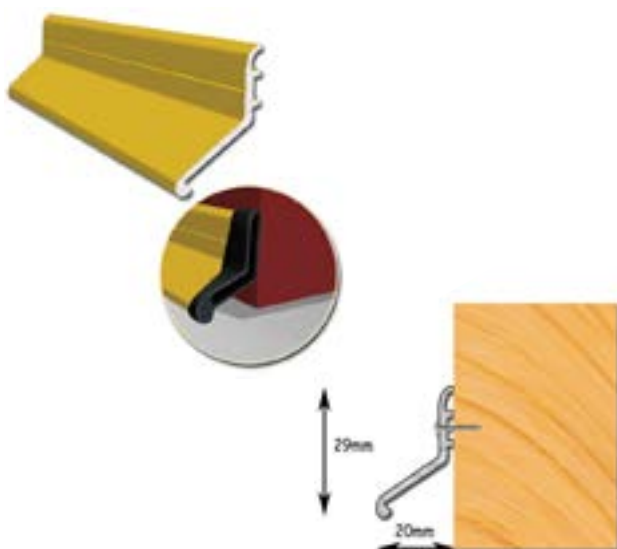
- For inward or outward opening doors
- Suitable for moderate exposure
- Under door clearance 14-17mm
- The seal can be reversed to enable this product to be used with outward opening doors

### Overview

An under door sill which gives excellent protection from the elements, dust and noise.

Product Code	Finish	Height	Length	Mfr Ref.	Width
L22714	Gold	17mm	933mm	1.01.450.0933.15	80mm
L22715	Silver	17mm	933mm	1.01.450.0933.30	80mm
L22716	Silver	17mm	1220mm	1.01.450.1220.30	80mm
L22717	Gold	17mm	2134mm	1.01.450.2134.15	80mm
L22718	Silver	17mm	2134mm	1.01.450.2134.30	80mm

## EXITEX Deflector 20 Weather Bar



### Features

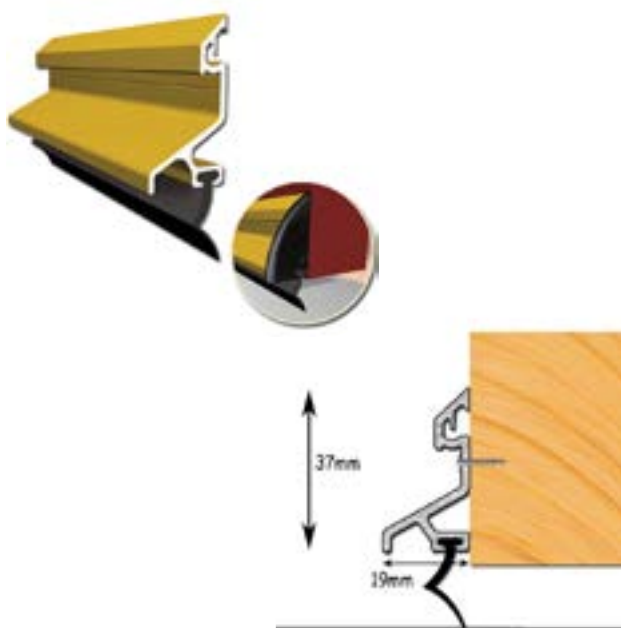
- For inward and outward opening doors
- Supplied with weather deflecting end caps which eliminate sharp corners and raw edge
- Use in conjunction with a weather bar

### Overview

A simple to fit weather guard which deflects rain away from the bottom of the door. To avoid any sharp edges the guard is supplied with end caps which can be fitted once it has been cut to length.

Product Code	Depth	Finish	Height	Width	Mfr Ref.
L22694	20mm	Gold	29mm	914mm	1.01.110.0914.15
L22695	20mm	Silver	29mm	914mm	1.01.110.0914.30

EXITEX Expelex Weather Bar Deflector



Features

- For Inward and Outward Opening Doors
- Supplied with weather deflecting end caps which eliminate sharp corners and raw edges
- Can be used in conjunction with a weather bar

Overview

A simple to fit weather guard which deflects rain away from the bottom of the door. To avoid any sharp edges the guard is supplied with end caps which can be fitted once it has been cut to length.

Product Code	Depth	Height	Mfr Ref.	Width
L23486	19mm	37mm	1.01.0145.0914.30	914mm

EXITEX Brushstrip



Features

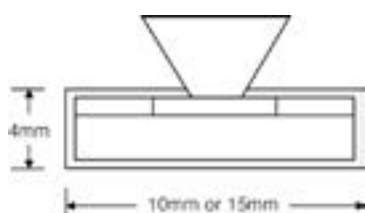
- For all types of doors
- Hard wearing resilient polypropylene bristle stops draughts, dust, noise, etc.
- Adjusts to irregular gaps, can be used over carpets
- 22mm bristle
- 16mm carrier
- 914mm long

Overview

A hardwearing brush strip to reduce dust, wind and noise. It is suitable for use on most doors, is easily retrofittable and can be used over carpet or uneven gaps.

Product Code	Finish	Height	Length	Mfr Ref.
L22690	Brown	38mm	914mm	1.01.032.0914.10
L22691	White	38mm	914mm	1.01.032.0914.35
L22692	Gold	38mm	914mm	1.01.062.0914.15
L22693	Satin Anodised Aluminium	38mm	914mm	1.01.062.0914.30

## ASEC 2.1m Intumescent Strip - Fire &amp; Smoke



### Features

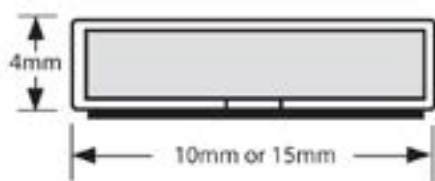
- Quick and easy to fit
- Acrylic self adhesive tape backing for easy application.
- Tested to BS476 Part 22: 1987.
- Compliant with Certificate TS35.

### Overview

A range of traditional seal for fire rated timber door edges and frames. They are suitable for rebates in timber door leaves or frames in single and double action, single or double doors. Seals are supplied in 2.1m lengths with a pile smoke / draught strip as standard and are quick and easy to fit as no special tools are required. They are supplied with an acrylic self adhesive tape backing for ease of application.

Product Code	Finish	Height	Length	Width
AS10099	White	4mm	2.1m	10mm
AS10100	Brown	4mm	2.1m	10mm
AS10103	White	4mm	2.1m	15mm
AS10104	Brown	4mm	2.1m	15mm

## ASEC 2.1m Intumescent Strip - Fire Only



### Features

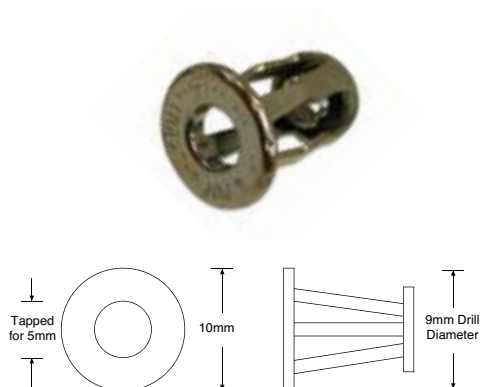
- Quick and easy to fit
- Acrylic self adhesive tape backing for easy application.
- Tested to BS476 Part 22: 1987.
- Compliant with Certificate TS35.

### Overview

A range of traditional seal for fire rated timber door edges and frames. They are suitable for rebates in timber door leaves or frames in single and double action, single or double doors. Seals are supplied in 2.1m lengths as standard and are quick and easy to fit as no special tools are required. They are supplied with an acrylic self adhesive tape backing for ease of application.

Product Code	Finish	Height	Length	Width
AS10097	White	4mm	2.1m	10mm
AS10098	Brown	4mm	2.1m	10mm
AS10101	White	4mm	2.1m	15mm
AS10102	Brown	4mm	2.1m	15mm

### ASEC M5 UPVC Hollow Fixing



#### Features

- Hollow Fixing
- Specifically designed for UPVC
- For 9mm drill

#### Overview

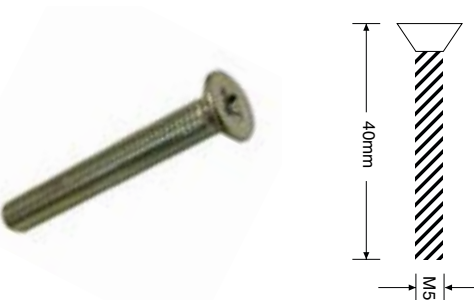
Hollow fixing by Asec designed for making a secured fixing to UPVC. The Asec M5 is ideal for use with door furniture and sash blockers.

#### Associated Products

[ASEC M5 x 40mm Screw for Hollow Fixing](#)  
AS10465 M5x40MM Screw

Product Code	Mfr Ref.	Suits product
AS10464	AS10464	UPVC door furniture & sash blockers

### ASEC M5 x 40mm Screw for Hollow Fixing



#### Features

- To suit Asec M5 Hollow Fixing
- Screw

#### Overview

M5 x 40mm screw by Asec to go with the M5 Hollow Fixing suitable for UPVC.

#### Associated Products

[ASEC M5 UPVC Hollow Fixing](#)  
AS10464 M5 Hollow Fixing

Product Code	Mfr Ref.	Suits product
AS10465	AS10465	M5 Hollow Fixing

### CHAMELEON M5 UPVC Hollow Fixing Kit



#### Features

- Pack contains 10 x M5 bolts & 10 x M5 hollow fixings
- Specifically designed for UPVC installation
- Use a 9mm drill to install hollow fixing
- Countersunk bolt head for a flush finish

#### Operation

This 10 pack of 40mm M5 bolt with countersunk head and hollow fixings is specifically designed for use on UPVC applications and requires a 9mm hole to insert the hollow fixing into.

Product Code	Pack Quantity	Screw Size
CH30039	10	M5 x 50mm
CH10464	10	M5 x 40mm



## Chameleon UPVC Repair Screw Fixing Tab Plate



### Features

- Includes metal tab & plastic fir tree fixing
- Allow fixing of mechanism in door when original screw hole is unusable
- Easy push fit fir tree fixing
- Suitable for use on UPVC door locks

### Operation

This product is simple and effective, if you have fixed screw holes in the mechanism but the hole behind them is unusable then fix this tab to the door lock with the plastic fir tree fixing and then screw in the other hole for a stable fixing.

Product Code	Finish	Height	Mfr Ref.	Width
CH10439	Silver	16mm	CH10439	28mm

## FUHR Lockcase Ball Bearing, Spring &amp; Screw (Sold Separately)



### Notes

To be used together with the Fuhr lockcase grub screw & spring

### Associated Products

**FUHR Lever Operated Latch & Deadbolt Split Spindle - 2 Hook & 2 Roller**  
L18043 35/92

**FUHR Lever Operated Latch & Deadbolt - Centre Case**  
L16217 25/92  
L16218 30/92  
L16219 35/92  
L16220 45/92

**FUHR Lever Operated Latch & Deadbolt - 4 Roller**  
L15592 30/92  
L15593 45/92  
L15597 25/92  
L15598 35/92

**FUHR Lever Operated Latch & Deadbolt - 2 Round Bolt 2 Roller**  
L15594 35/92  
L15600 30/92

**FUHR Lever Operated Latch & Deadbolt - 2 Hook 2 Roller**  
L15595 35/92  
L20531 35/92 - Split Spindle

**FUHR 855 Key Operated Latch & Deadbolt - 4 Roller**  
L15596 35/92

**FUHR 856 Type 6 Lever Operated Latch & Deadbolt with Shootbolts - 2 Hook & 2 Roller**  
L18355 35/92  
L20535 30/92

**FUHR 856 Type 4 Lever Operated Latch & Deadbolt - 4 Hook**  
L18356 35/92

### Features

- Individual items sold separately
- To suit a selection of Fuhr Multipoint Lock Gearboxes

### Overview

The Fuhr Spring, Ball Bearing & Grub Screw are to be used in conjunction with Fuhr Multipoint Lock Gearboxes. All three products have to be used together, yet are sold separately.

Product Code	Mfr Ref.	Suits product
L23669	7-55052-00	Selection of Fuhr MPL Gearboxes
L23670	7-78001-00	Selection of Fuhr MPL Gearboxes
L23671	7-23022-00	Selection of Fuhr MPL Gearboxes

FUHR Extension Piece With Roller



Features

- Extension piece with roller locking point
- To suit Fuhr multipoint locks

Operation

Extension piece with additional roller locking point from Fuhr to suit the Fuhr range of multipoint locks.

Product Code	Finish	Length	Roller	Mfr Ref.
L26431	Silver	200mm	1	DXVL200R
L26432	Silver	400mm	1	DXVL400R

MACO Extension Piece With Cam To Suit Maco GT-S Locks



Features

- Extension piece with cam locking point
- To suit Maco GTS multipoint locks

Operation

Maco extension piece with cam locking point to suit Maco GT-S multipoint locks.

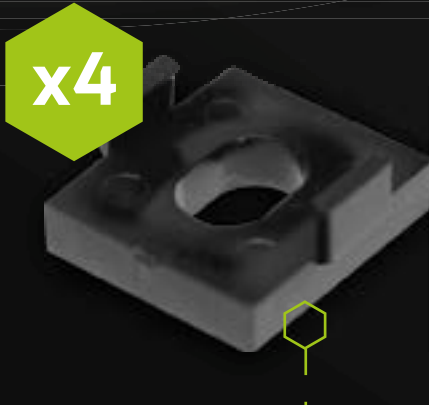
Product Code	Length	Cam	Mfr Ref.
L26439	300mm	1	57824
L26440	500mm	1	55993



See page  
**581**

The chameleon<sup>®</sup> range of retrofit Friction Hinges for either top or side hung windows.

- Effective weather and draught proofing
- Supplied in pairs
- Smooth operation
- Supplied with 4mm packers to convert 13mm stay to a 17mm stack height



**x4**



# Window

---

Espagnolette	<b>561 - 574</b>
Friction Stay	<b>575 - 586</b>
Furniture	<b>587 - 618</b>
Tilt & Turn	<b>619 - 622</b>
Secondary Security	<b>623 - 666</b>
Ventilation	<b>667 - 670</b>
Window Keys	<b>671 - 688</b>



# Adaptable Window Espag Handle

Unique patented spindle system means you do not have to cut down the size, you simply select the correct spindle length from a choice of 5.

- Fits over 95% of casement windows
- Available inline & offset in a wide range of finishes
- Complete with 10mm, 15mm, 30mm, 43mm and 55mm spindles for ease of fitting



See pages  
**588, 597  
& 598**



[www.chameleonhardware.co.uk](http://www.chameleonhardware.co.uk)

» Window

# Espagnolette

---

Full Mechanism    **562 - 567**  
Gearbox            **568 - 573**

## ASEC Retro Fit Espag Rod Inline Offset - Cut To Size



### Features

- Inline or offset.
- Croppable to 0.4m, 0.6m, 0.8m or 1m

### Associated Products

#### MACO Universal Espag Keep

L15399 Espag Keep

#### HOPPE Tokyo UPVC Espag Handle Inline ID237/1171

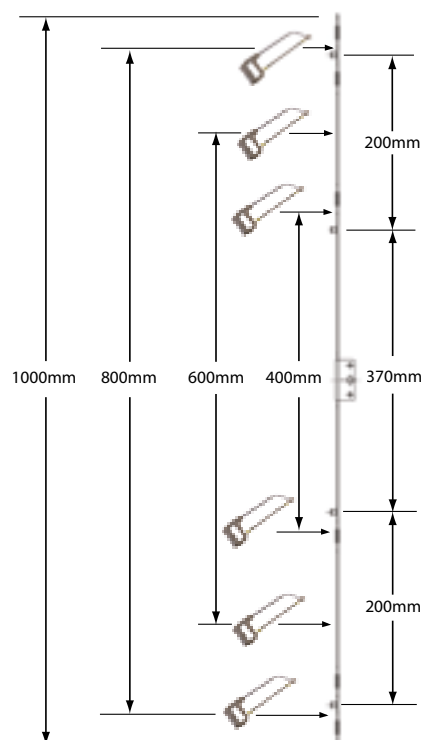
L15104 White  
 L15324 Gold  
 L15325 Silver  
 L21423 Brass  
 L21424 Black  
 L21425 Chrome  
 L23927 Polished Chrome

#### HOPPE UPVC Espag Handle Cranked

L15326 LH - White  
 L15327 RH - White  
 L15328 LH - Gold  
 L15329 RH - Gold  
 L15330 LH - Silver  
 L15331 RH - Silver  
 L21432 Brass - RH  
 L21433 Brass - LH  
 L21434 Black - RH  
 L21435 Black - LH

#### CHAMELEON Adaptable Window Espag Handle (15mm - 55mm)

CH30033 Black  
 CH21468 Polished Brass  
 CH18394 Polished Chrome  
 CH14857 Satin Chrome  
 CH18393 White



Product Code	Backset	Faceplate Width	Length	Mfr Ref.	Spindle
AS10470	21mm	13mm	1m	AS10470	Cut to Size
L18616	21mm	16mm	1m	ESIAB21	Cut to Size
AS10471	25mm	13mm	1m	AS10471	Cut to Size
L18615	25mm	16mm	1m	ESIAB25	Cut to Size

## CHAMELEON Fully Adaptable Espag Rod - 13mm Faceplate



### Features

- Mechanism is 1 metre long and 13mm wide
- Can be cropped on either side in 10cm increments
- Centre case can slide 20mm & rotates the follower 45°
- Screw fixings have inserts which act as pivot points
- 4 mushroom locking points
- Threaded holes in centre case

### Overview

This espag rod is extremely adaptable, it is supplied as a 13mm wide inline 1 metre strip with 4 mushrooms however each side can be cropped up to 4 times in 10cm increments. The centre case has an 8mm follower and 2 threaded holes and slides 20mm to the side which rotates the follower from square to diamond. The screw holes have plastic inserts which not only allow for tolerances when installing but act as pivot points to allow the locking mechanism to operate.

### Associated Products

CHAMELEON Adaptable Window Espag Handle (15mm - 55mm)

CH30033 Black  
CH21468 Polished Brass  
CH18394 Polished Chrome  
CH14857 Satin Chrome  
CH18393 White

Product Code	Backset	Faceplate Width	Length	Mushroom	Spindle
CH10470	21mm	13mm	1m	4	8mm
CH10471	25mm	13mm	1m	4	8mm

## CHAMELEON Fully Adaptable Espag Rod - 16mm Faceplate



### Features

- Mechanism is 1 metre long and 16mm wide
- Can be cropped on either side in 10cm increments
- Centre case can slide 20mm & rotates the follower 45°
- Screw fixings have inserts which act as pivot points
- 4 mushroom locking points
- Threaded holes in centre case

### Overview

This espag rod is extremely adaptable, it is supplied as a 16mm wide inline 1 metre strip with 4 mushrooms however each side can be cropped up to 4 times in 10cm increments. The centre case has an 8mm follower and 2 threaded holes and slides 20mm to the side which rotates the follower from square to diamond. The screw holes have plastic inserts which not only allow for tolerances when installing but act as pivot points to allow the locking mechanism to operate.

### Associated Products

CHAMELEON Adaptable Window Espag Handle (15mm - 55mm)

CH30033 Black  
CH21468 Polished Brass  
CH18394 Polished Chrome  
CH14857 Satin Chrome  
CH18393 White

Product Code	Backset	Faceplate Width	Length	Mushroom	Mfr Ref.	Spindle
CH18616	21mm	16mm	1m	4	CH18616	8mm
CH18615	25mm	16mm	1m	4	CH18615	8mm



## MACO GR RAIL Reach 185 Espag Rod 20mm



### Features

- 20mm Backset
- Reverse Action In-Line & Reach
- 7mm Spindle
- 7.7mm Cam Height
- 16mm wide faceplate

### Overview

Reverse Action In-Line or R.A.I.L. and Reach 2 cam espag rod by Maco with a 20mm backset, 7mm spindle and 16mm wide faceplate.

Product Code	Backset	Length	Spindle	Mfr Ref.
L24446	20mm	1000mm	7mm	206829
L24447	20mm	1200mm	7mm	206830
L24444	20mm	600mm	7mm	206827
L24445	20mm	800mm	7mm	206828

## MACO GR RAIL Twin Espag Rod 20mm



### Features

- 20mm Backset
- Reverse Action In-Line & Twin
- 7mm Spindle
- 7.7mm Cam Height
- 16mm wide faceplate

### Overview

Reverse Action In-Line or R.A.I.L. and twin cam espag rod by Maco with a 20mm backset, 7mm spindle and 16mm wide faceplate.

Product Code	Backset	Length	Spindle	Mfr Ref.
L24442	20mm	1000mm	7mm	202697
L24443	20mm	1200mm	7mm	202698
L24438	20mm	200mm	7mm	202693
L24439	20mm	400mm	7mm	202694
L24440	20mm	600mm	7mm	202695
L24441	20mm	800mm	7mm	202696

## MACO Inline Espag Rod 20mm



### Features

- In-line Euro groove Fitting
- Night Vent Position
- 19mm Cam Travel
- 500 Hours Salt Spray Corrosion Resistance
- Adjustable Mushroom Cams

### Associated Products

#### MACO Universal Espag Keep

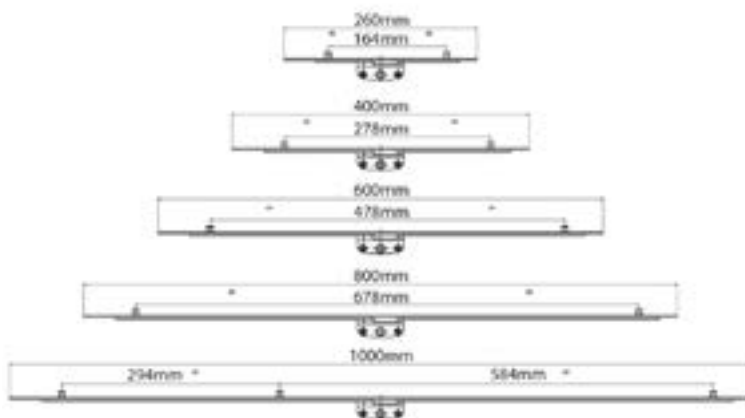
L15399 Espag Keep

#### HOPPE Tokyo UPVC Espag Handle Inline ID237/1171

- L15104 White
- L15324 Gold
- L15325 Silver
- L21423 Brass
- L21424 Black
- L21425 Chrome
- L23927 Polished Chrome

#### HOPPE UPVC Espag Handle Cranked

- L15326 LH - White
- L15327 RH - White
- L15328 LH - Gold
- L15329 RH - Gold
- L15330 LH - Silver
- L15331 RH - Silver
- L21432 Brass - RH
- L21433 Brass - LH
- L21434 Black - RH
- L21435 Black - LH



Product Code	Backset	Length	Spindle	Cam	Mfr Ref.
L15414	20mm	1000mm	7mm	2	MAC27342
L15410	20mm	260mm	7mm	2	MAC27338
L15411	20mm	400mm	7mm	2	MAC27339
L15412	20mm	600mm	7mm	2	MAC27340
L15413	20mm	800mm	7mm	2	MAC27341

## MACO Inline Espag Rod 22mm



### Features

- In-line Euro groove Fitting
- Night Vent Position
- 19mm Cam Travel
- 500 Hours Salt Spray Corrosion Resistance
- Adjustable Mushroom Cams

### Associated Products

#### MACO Universal Espag Keep

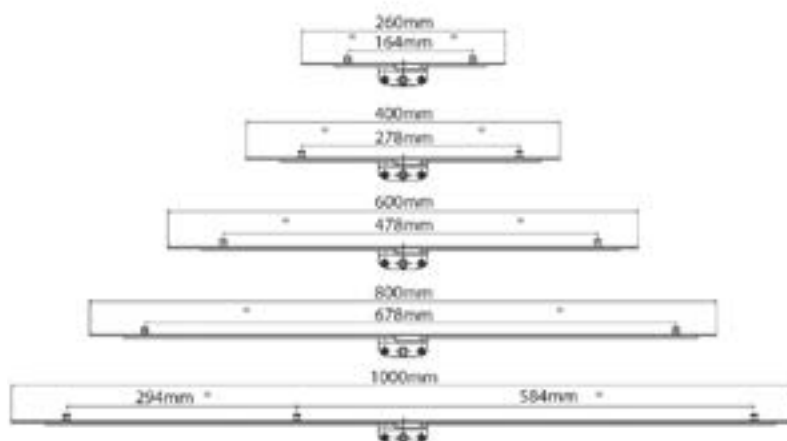
L15399 Espag Keep

#### HOPPE Tokyo UPVC Espag Handle Inline ID237/1171

L15104 White  
 L15324 Gold  
 L15325 Silver  
 L21423 Brass  
 L21424 Black  
 L21425 Chrome  
 L23927 Polished Chrome

#### HOPPE UPVC Espag Handle Cranked

L15326 LH - White  
 L15327 RH - White  
 L15328 LH - Gold  
 L15329 RH - Gold  
 L15330 LH - Silver  
 L15331 RH - Silver  
 L21432 Brass - RH  
 L21433 Brass - LH  
 L21434 Black - RH  
 L21435 Black - LH



Product Code	Backset	Length	Spindle	Cams	Hooks	Mfr Ref.
L15405	22mm	260mm	7mm	2	2	MAC37344
L15406	22mm	400mm	7mm	2	2	MAC37345
L15407	22mm	600mm	7mm	2	2	MAC37346
L15408	22mm	800mm	7mm	2	2	MAC37347
L15409	22mm	1000mm	7mm	2	2	MAC37348

## MACO Offset Espag Rod 20mm



### Features

- Offset designed for profiles without a Euro groove
- Night Vent Position
- 19mm Cam Travel
- 500 hours Salt Spray Corrosion Resistance
- Adjustable Mushroom Cams

### Associated Products

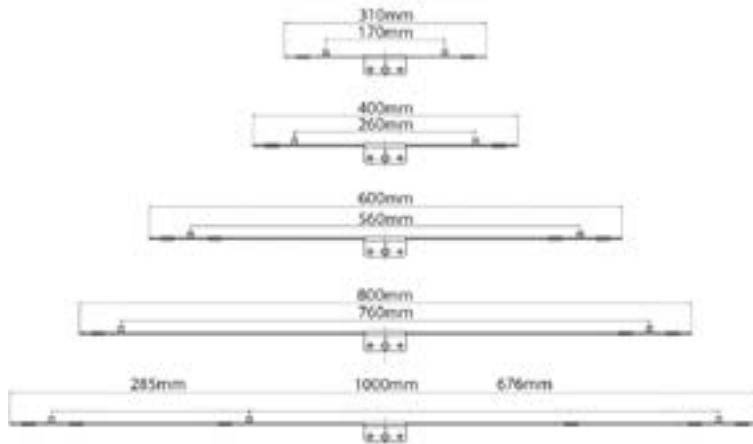
**MACO Universal Espag Keep**  
L15399 Espag Keep

**HOPPE Tokyo UPVC Espag Handle Inline ID237/1171**

- L15104 White
- L15324 Gold
- L15325 Silver
- L21423 Brass
- L21424 Black
- L21425 Chrome
- L23927 Polished Chrome

**HOPPE UPVC Espag Handle Cranked**

- L15326 LH - White
- L15327 RH - White
- L15328 LH - Gold
- L15329 RH - Gold
- L15330 LH - Silver
- L15331 RH - Silver
- L21432 Brass - RH
- L21433 Brass - LH
- L21434 Black - RH
- L21435 Black - LH



Product Code	Backset	Length	To suit windows	Spindle	Cams	Hooks	Mfr Ref.
L15400	20mm	291mm	310mm - 510mm	7mm	2	2	MAC27529
L15401	20mm	381mm	400mm - 600mm	7mm	2	2	MAC27530
L15402	20mm	581mm	601mm - 800mm	7mm	2	2	MAC27531
L15403	20mm	781mm	801mm - 1000mm	7mm	2	2	MAC27532
L15404	20mm	981mm	1001mm - 1200mm	7mm	2	2	MAC27533

## KENRICK Centurion Window Gearbox - Shootbolt

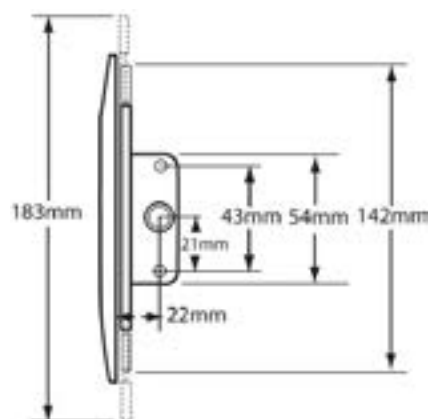


## Features

- Non-handed
- Robust die-cast construction
- Simple to install
- Secured by Design Approved

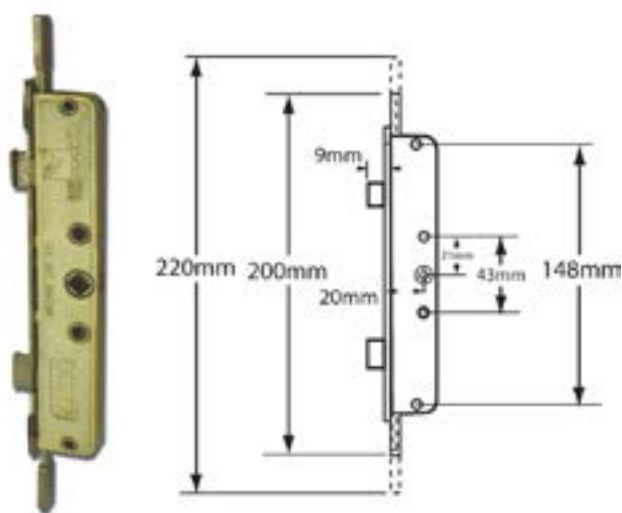
## Overview

A robust non-handed die-cast gearbox to suit the Kenrick Centurion shootbolt widow locking system.



Product Code	Backset	Case Height	Screw Centres	Mfr Ref.
L18608	22mm	54mm	43mm	115026

## KENRICK Excalibur Window Gearbox - Shootbolt



## Features

- No top cover plate and is very quick to fit
- The complete Excalibur Dual Claw Locking Shootbolt complies BS7950, Secured By Design and BBA approvals
- Secured by Design Approved

## Overview

This is the centre case to suit the Excalibur dual claw shootbolt. It is one of the most effective ways of securing PVCu, Timber or Aluminium casement windows.

Excalibur's centre claws lock securely into a very substantial centre keep, whilst two steel shootbolts lock into the corners of the window offering excellent resistance against attack.



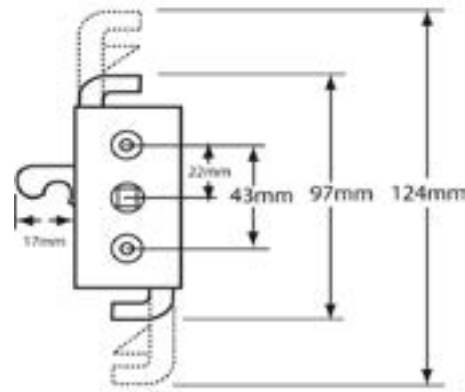
Product Code	Backset	Screw Centres	Mfr Ref.
L18612	20mm	43mm & 148mm	112590

## KENRICK Sabrelock Window Gearbox - Hook



### Features

- This window gearbox can be used to replace an existing damaged gearbox, and keep windows secure



Product Code	Backset	Screw Centres	Mfr Ref.
L18611	17mm	43mm	106687

## KENRICK Sentrilock Slimline Window Gearbox - Hook

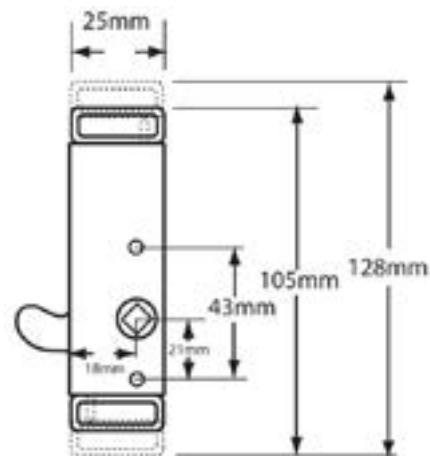


### Features

- Suitable for both slimline PVCu and offset Aluminium systems

### Overview

The Sentrilock shootbolt has proved effective in millions of windows across nearly 20 years of use. Sentrilock's flush fitting and internal mounting give excellent clearances.



Product Code	Backset	Screw Centres	Mfr Ref.
L18610	18mm	43mm	103229

MILA Prolinea Shootbolt Window Gearbox 22mm



Features

- One size accommodates both standard and reduced depth euro grooves
- Secured by Design licensed and BBA approved
- 25% stronger than similar products tested
- Smoother and more robust design
- Tested to 50,000 cycles
- New slide tags for faster and easier fabrication
- Secured by Design Approved

Overview

The ProLinea Shootbolt Espag for casement windows provides enhanced security through a combination of two mushroom headed steel cams & stainless steel shootbolts. It has been tested to 50,000 cycles & meets the requirements of Secured by Design.

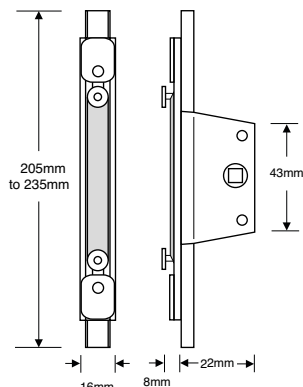
Associated Products

MILA Prolinea Offset Espag Handle

- L18469 LH - Gold
- L18470 RH - Gold
- L18471 LH - White
- L18472 RH - White
- L18480 LH - Chrome
- L18481 RH - Chrome

MILA Prolinea In Line Espag Handle

- L18473 Chrome
- L18474 Gold
- L18475 White



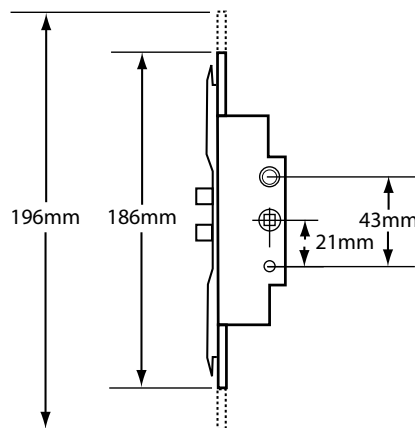
Product Code	Backset	Bolt Throw	Notes	Mfr Ref.
L22035	22mm	16mm	Size Range Min. 330mm - Max. 1600mm	037408

SARACEN Next Generation Window Gearbox



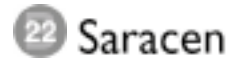
Features

- 14.5mm backset
- Clawbolt action



Product Code	Backset	Length	Screw Centres	Mfr Ref.
L18607	22mm	186mm	43mm	WLSZY59760

## SARACEN Wide Faceplate Window Gearbox 22mm



### Features

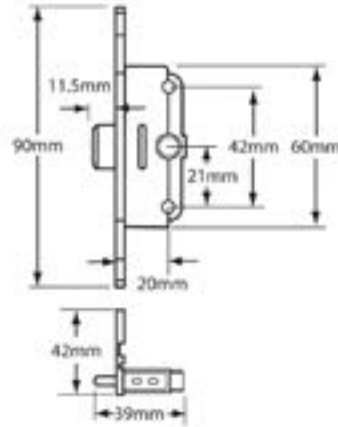
- Push in type

### Overview

Discontinued - Possible to use L18602 with minor modification.

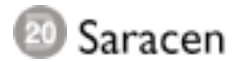


**DISCONTINUED**



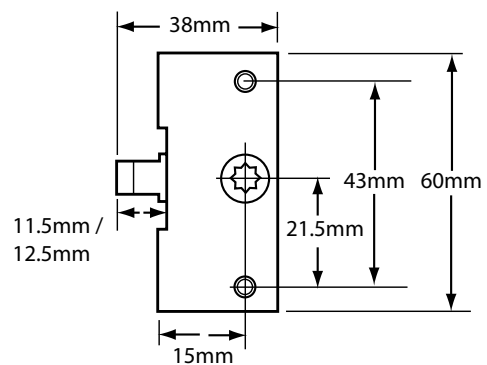
Product Code	Backset	Bolt Lengths	Forend Length	Screw Centres	Mfr Ref.
L18600	22mm	11.5mm	90mm	42mm	108515

## SARACEN Window Gearbox



### Features

- Threaded type.
- Fits into the euro groove



Product Code	Backset	Length	Screw Centres	Notes	Mfr Ref.
L18603	20mm	60mm	43mm	11.5mm Bolt Shoot	106241
L18605	20mm	60mm	43mm	14.5mm Bolt Shoot	115349

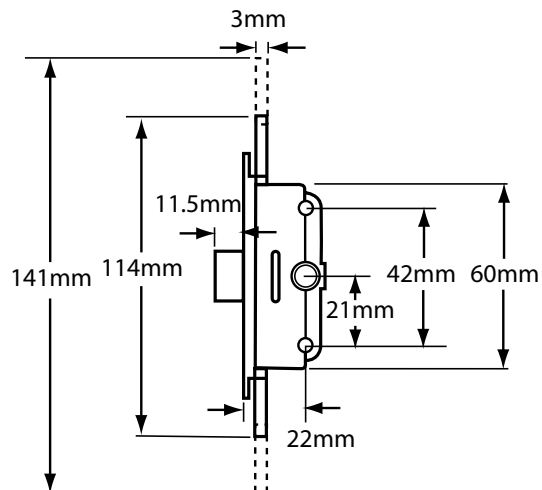


SARACEN Window Gearbox 20mm



Features

- Push / Twist type.
- Fits into the euro groove



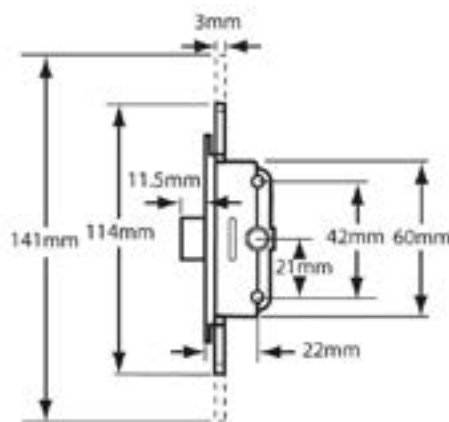
Product Code	Backset	Bolt Lengths	Length	Screw Centres	Mfr Ref.
L18609	20mm	11.5mm	60mm	42mm	104016
L18601	20mm	9.5mm	60mm	42mm	106837

SARACEN Window Gearbox 22mm



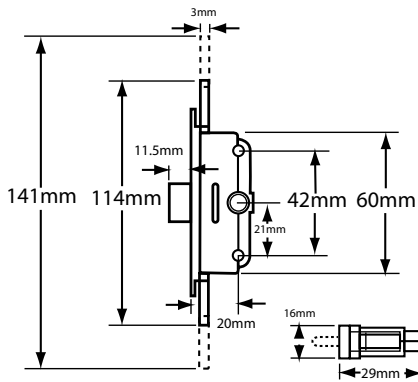
Features

- Push / Twist type.
- Fits into the euro groove



Product Code	Backset	Bolt Lengths	Length	Screw Centres	Mfr Ref.
L18602	22mm	11.5mm	60mm	42mm	106836
L18606	22mm	9.5mm	60mm	42mm	111150

## SARACEN/AUBI Window Gearbox 11.5mm



### Features

- Serrated type
- Tested in excess of 30,000 cycles
- Exceptional durability and versatility
- Gearbox made of high strength Zinc Alloy
- 10 Year Guarantee

### Overview

This is the centre case only for the FM shootbolt. The FM shootbolt provides a multi-point locking solution for PVC-U windows. The unique combination of a robust central deadlock, bi-directional bars and profile keeps offers a cost effective solution for window security.

Product Code	Backset	Bolt Lengths	Case Depth	Screw Centres	Mfr Ref.
L18613	20mm	11.5mm	29mm	42mm	WLS5ZY11061150

## TROJAN Stallion Window Gearbox

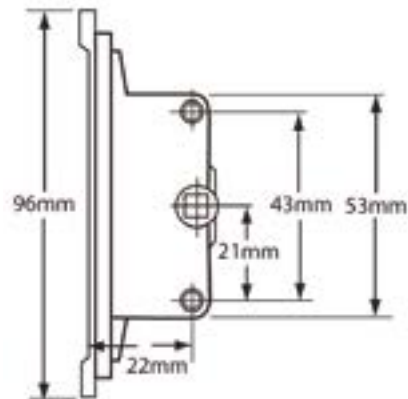


### Features

- Zinc die cast components with zinc passivate finish
- Tested to 30,000 cycles under Overviewal load

### Overview

For Euro groove systems, the Trojan Stallion espag gearbox can be fitted in seconds.



Product Code	Backset	Case Height	Length	Screw Centres	Mfr Ref.
L18604	22mm	53mm	96mm	43mm	112066



## Adaptable Window Blade /Fork Drive Handle

Features a unique design which allows for an interchangeable fork or flat plate fitting.

- Handle can be locked with the key in either the top or bottom positions
- Supplied with 2 keys & 2 fixing bolts
- Interchangeable fixing position

See page  
**620**



» Window

# Friction Stay

---

Egress	<b>576 - 578</b>
Restricted	<b>579 - 580</b>
Standard	<b>581 - 585</b>
Packers	<b>585</b>

## ASEC Side Hung Egress Friction Hinge - 13mm



### Features

- Allows for 90° casement window opening for emergency exit
- Complies with BS5588 Part 1: 1990 and Building Regulations Approved Document B for fire escape windows.
- Stack height: 13mm
- Available in 300mm or 400mm lengths

### Overview

The Asec side hung egress friction hinge complies with BS5588 Part 1: 1990 and Approved Document B of the Building Regulations, making it an ideal choice for fire escape windows. This side hung unit has a stack height of 13mm and is available in 300mm and 400mm lengths.

### Associated Products

[CHAMELEON 4mm Packers To Suit Friction Stays](#)  
CH10661 4mm (pack of 20)

Product Code	Finish	Length	Stack Height	Width	Mfr Ref.
AS10653	Stainless Steel	300mm	13mm	18mm	AS10653
AS10654	Stainless Steel	400mm	13mm	18mm	AS10654

## ASEC Easy Clean Side Hung Egress Friction Hinge - 13mm



### Features

- Easy-clean position for safe cleaning of glass from within
- Allows for 90° casement window opening for emergency exit
- Complies with BS5588 Part 1: 1990 and Building Regulations Approved Document B for fire escape windows.
- Smooth Overview
- Stack height: 13mm
- Available in 300mm or 400mm lengths

### Overview

The Asec side hung easy clean egress friction hinge combines emergency egress with an easy-clean function. This unit complies with BS5588 Part 1: 1990 and Approved Document B of the Building Regulations, making it an ideal choice for fire escape windows, with the easy clean position allowing for simple cleaning of the window from the inside.

This side hung unit has a stack height of 13mm and is available in 300mm and 400mm lengths.

### Associated Products

[CHAMELEON 4mm Packers To Suit Friction Stays](#)  
CH10661 4mm (pack of 20)

Product Code	Finish	Length	Stack Height	Width	Mfr Ref.
AS10655	Stainless Steel	300mm	13mm	18mm	AS10655
AS10656	Stainless Steel	400mm	13mm	18mm	AS10656

## ASEC Side Hung Egress Friction Hinge - 17mm



### Features

- Allows for 90° casement window opening for emergency exit
- Complies with BS5588 Part 1: 1990 and Building Regulations Approved Document B for fire escape windows.
- Stack height: 17mm
- Available in 300mm or 400mm lengths

### Overview

The Asec side hung egress friction hinge complies with BS5588 Part 1: 1990 and Approved Document B of the Building Regulations, making it an ideal choice for fire escape windows. This side hung unit has a stack height of 17mm and is available in 300mm and 400mm lengths.

### Associated Products

[CHAMELEON 4mm Packers To Suit Friction Stays](#)  
CH10661 4mm (pack of 20)

Product Code	Finish	Length	Stack Height	Width	Mfr Ref.
AS10657	Stainless Steel	300mm	17mm	18mm	AS10657
AS10658	Stainless Steel	400mm	17mm	18mm	AS10658

## ASEC Easy Clean Side Hung Egress Friction Hinge - 17mm



### Features

- Easy-clean position for safe cleaning of glass from within
- Allows for 90° casement window opening for emergency exit
- Complies with BS5588 Part 1: 1990 and Building Regulations Approved Document B for fire escape windows.
- Smooth Overview
- Stack height: 17mm
- Available in 300mm or 400mm lengths

### Overview

The Asec side hung easy clean egress friction hinge combines emergency egress with an easy-clean function. This unit complies with BS5588 Part 1: 1990 and Approved Document B of the Building Regulations, making it an ideal choice for fire escape windows, with the easy clean position allowing for simple cleaning of the window from the inside.

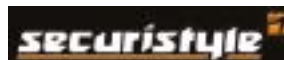
This side hung unit has a stack height of 17mm and is available in 300mm and 400mm lengths.

### Associated Products

[CHAMELEON 4mm Packers To Suit Friction Stays](#)  
CH10661 4mm (pack of 20)

Product Code	Finish	Length	Stack Height	Width	Mfr Ref.
AS10659	Stainless Steel	300mm	17mm	18mm	AS10659
AS10660	Stainless Steel	400mm	17mm	18mm	AS10660

## SECURISTYLE Defender Egress Emergency Exit Friction Hinge Side Hung 13mm



### Features

- Composite slider with stainless steel lever
- Complies to British BS5588 Part 1: 1990 standards & Building Regulations Approved Document B
- Allows casement windows to open to a full 90°
- 13mm stack height
- Suitable for emergency exit and easy to clean
- Zinc die cast end cap & support plate

### Overview

The Securistyle Defender Egress side hung window friction hinge is designed to be suitable for emergency exits and easy cleaning. This product has a stack height of 13mm, has a composite slider with a stainless steel lever, and an end cap and support plate made from zinc die cast. The Securistyle egress window Defender can be fully opened to 90° and complies to British BS5588 Part 1: 1990 standards & Building Regulations Approved Document B for fire escape windows.

### Associated Products

MILA Ideal UPVC Casement Hinge Protector  
L23524 13mm

CHAMELEON 4mm Packers To Suit Friction Stays  
CH10661 4mm (pack of 20)

Product Code	Backset	Finish	Stack Height	Length	Open Angle	Mfr Ref.
L21672	310mm	Stainless Steel	13mm	310mm	80°	EDSE12
L21673	412mm	Stainless Steel	13mm	412mm	90°	EDSE16

## SECURISTYLE Defender Egress Friction Hinge Side Hung 17mm



### Features

- Composite slider with stainless steel lever
- Complies to British BS5588 Part 1: 1990 standards & Building Regulations Approved Document B
- Allows casement windows to open to a full 90°
- 17mm stack height
- Suitable for emergency exit and easy to clean
- Zinc die cast end cap & support plate

### Overview

The Securistyle Defender Egress side hung window friction hinge is designed to be suitable for emergency exits and easy cleaning. This product has a stack height of 17mm, has a composite slider with a stainless steel lever, and an end cap and support plate made from zinc die cast. The Securistyle egress window Defender can be fully opened to 90° and complies to British BS5588 Part 1: 1990 standards & Building Regulations Approved Document B for fire escape windows.

### Associated Products

MILA Ideal UPVC Casement Hinge Protector  
L23525 17mm

CHAMELEON 4mm Packers To Suit Friction Stays  
CH10661 4mm (pack of 20)

Product Code	Backset	Finish	Length	Mfr Ref.	Open Angle	Stack Height
L24148	310mm	Stainless Steel	310mm	EDSE12H7	80°	17mm
L24149	412mm	Stainless Steel	412mm	EDSE16H7	90°	17mm

## SECURISTYLE Defender Restricted Friction Hinge Side Hung 13mm



### Features

- Built in child resistant mechanism limits initial opening.
- Built in quick release lever allows the window to be fully open for easy cleaning.
- Restrictor automatically relocates and resets when the window is closed.
- Supplied in pairs

### Overview

This Securistyle Defender side hung window friction hinge has a built in restrictor and a stack height of 13mm. The window restrictor incorporates a child resistant mechanism which limits the initial opening of the window in question. The built in quick release lever allows the window to be fully opened to be easily cleaned.

### Associated Products

[MILA Ideal UPVC Casement Hinge Protector](#)  
L23524 13mm

[CHAMELEON 4mm Packers To Suit Friction Stays](#)  
CH10661 4mm (pack of 20)

Product Code	Backset	Handed	Finish	Length	Mfr Ref.	Stack Height
L21678	310mm	Left	Stainless Steel	310mm	EDSR12 PL	13mm
L21679	310mm	Right	Stainless Steel	310mm	EDSR12 PR	13mm
L21680	412mm	Left	Stainless Steel	412mm	EDSR16 PL	13mm
L21681	412mm	Right	Stainless Steel	412mm	EDSR16 PR	13mm

## SECURISTYLE Defender Restricted Friction Hinge Side Hung 17mm



### Features

- Built in child resistant mechanism limits initial opening.
- Built in quick release lever allows the window to be fully open for easy cleaning.
- Restrictor automatically relocates and resets when the window is closed.
- Supplied in pairs

### Overview

This Securistyle Defender side hung window friction hinge has a built in restrictor and a stack height of 17mm. The window restrictor incorporates a child resistant mechanism which limits the initial opening of the window in question. The built in quick release lever allows the window to be fully opened to be easily cleaned.

### Associated Products

[MILA Ideal UPVC Casement Hinge Protector](#)  
L23525 17mm

[CHAMELEON 4mm Packers To Suit Friction Stays](#)  
CH10661 4mm (pack of 20)

Product Code	Backset	Handed	Finish	Length	Mfr Ref.	Stack Height
L24154	310mm	Left	Stainless Steel	310mm	EDSR12H7-PL	17mm
L24155	310mm	Right	Stainless Steel	310mm	EDSR12H7-PR	17mm
L24156	412mm	Left	Stainless Steel	412mm	EDSR16H7-PL	17mm
L24157	412mm	Right	Stainless Steel	412mm	EDSR16H7-PR	17mm



## SECURISTYLE Defender Restricted Friction Hinge Top Hung 13mm



### Features

- Built in child resistant mechanism limits initial opening.
- Built in quick release lever allows the window to be fully open for easy cleaning.
- Restrictor automatically relocates and resets when the window is closed.

### Overview

This Securistyle Defender top hung window friction hinge has a built in restrictor and a stack height of 13mm. The window restrictor incorporates a child resistant mechanism which limits the initial opening of the window in question. The built in quick release lever allows the window to be fully opened to be easily cleaned.

### Associated Products

[MILA Ideal UPVC Casement Hinge Protector](#)  
L23524 13mm

[CHAMELEON 4mm Packers To Suit Friction Stays](#)  
CH10661 4mm (pack of 20)

Product Code	Backset	Finish	Length	Mfr Ref.	Stack Height
L21674	310mm	Stainless Steel	310mm	EDTR12	13mm
L21675	412mm	Stainless Steel	412mm	EDTR16	13mm
L21676	513mm	Stainless Steel	513mm	EDTR20	13mm
L21677	615mm	Stainless Steel	615mm	EDTR24	13mm

## SECURISTYLE Defender Restricted Friction Hinge Top Hung 17mm



### Features

- Built in child resistant mechanism limits initial opening.
- Built in quick release lever allows the window to be fully open for easy cleaning.
- Restrictor automatically relocates and resets when the window is closed.

### Overview

This Securistyle Defender top hung window friction hinge has a built in restrictor and a stack height of 17mm. The window restrictor incorporates a child resistant mechanism which limits the initial opening of the window in question. The built in quick release lever allows the window to be fully opened to be easily cleaned.

### Associated Products

[MILA Ideal UPVC Casement Hinge Protector](#)  
L23525 17mm

[CHAMELEON 4mm Packers To Suit Friction Stays](#)  
CH10661 4mm (pack of 20)

Product Code	Backset	Finish	Stack Height	Length	Mfr Ref.
L24150	310mm	Stainless Steel	17mm	310mm	EDTR12H7
L24151	412mm	Stainless Steel	17mm	412mm	EDTR16H7
L24152	513mm	Stainless Steel	17mm	513mm	EDTR20H7
L24153	615mm	Stainless Steel	17mm	615mm	EDTR24H7

## CHAMELEON Adaptable Side Hung Friction Hinge



### Features

- Supplied with packers to allow stack heights of both 13mm and 17mm
- Foolproof locating system ensures reliable & accurate closure
- Effective weather and draught proofing
- Friction hinges are supplied in pairs
- Smooth Overview

### Overview

These side hung friction hinges are supplied in pairs with packers to change them from a 13mm stack height to a 17mm stack height meaning that you only have to stock one product to cover both applications. They have a foolproof locating system to ensure reliable and accurate closure, have a very smooth creation and offer effective weather and draught proofing.

### Associated Products

MILA Ideal UPVC Casement Hinge Protector

- L23524 13mm
- L23525 17mm

CHAMELEON 4mm Packers To Suit Friction Stays

- CH10661 4mm (pack of 20)

Product Code	Finish	Length	Width	Stack Height
CH10646	Stainless Steel	400mm	18mm	13-17mm
CH10645	Stainless Steel	300mm	18mm	13-17mm

## CHAMELEON Adaptable Top Hung Friction Hinge



### Features

- Supplied with packers to allow stack heights of both 13mm and 17mm
- Foolproof locating system ensures reliable & accurate closure
- Effective weather and draught proofing
- Friction hinges are supplied in pairs
- Smooth Overview

### Overview

These top hung friction hinges are supplied in pairs with packers to change them from a 13mm stack height to a 17mm stack height meaning that you only have to stock one product to cover both applications. They have a foolproof locating system to ensure reliable and accurate closure, have a very smooth creation and offer effective weather and draught proofing.

### Associated Products

MILA Ideal UPVC Casement Hinge Protector

- L23524 13mm
- L23525 17mm

CHAMELEON 4mm Packers To Suit Friction Stays

- CH10661 4mm (pack of 20)

Product Code	Finish	Length	Width	Stack Height
CH10647	Stainless Steel	200mm	18mm	13-17mm
CH10648	Stainless Steel	250mm	18mm	13-17mm
CH10649	Stainless Steel	300mm	18mm	13-17mm
CH10650	Stainless Steel	400mm	18mm	13-17mm
CH10651	Stainless Steel	500mm	18mm	13-17mm
CH10652	Stainless Steel	600mm	18mm	13-17mm

## Asec Friction Hinge Side Hung - 13mm



### Features

- Fool proof locating system for reliable, accurate closure
- Effective weather & draught proofing
- Smooth Overview
- Supplied in pairs

### Associated Products

MILA Ideal UPVC Casement Hinge Protector  
L23524 13mm

CHAMELEON 4mm Packers To Suit Friction Stays  
CH10661 4mm (pack of 20)

Product Code	Finish	Length	Width	Stack Height	Mfr Ref.
L14528	Stainless Steel	300mm	18mm	13mm	HIN82212
L14529	Stainless Steel	400mm	18mm	13mm	HIN82216

## Asec Friction Hinge Side Hung - 17mm



### Features

- Fool proof locating system for reliable, accurate closure
- Effective weather & draught proofing
- Smooth Overview
- Supplied in pairs

### Associated Products

MILA Ideal UPVC Casement Hinge Protector  
L23525 17mm

CHAMELEON 4mm Packers To Suit Friction Stays  
CH10661 4mm (pack of 20)

Product Code	Finish	Length	Width	Stack Height	Mfr Ref.
L14530	Stainless Steel	300mm	18mm	17mm	HIN82412
L14531	Stainless Steel	400mm	18mm	17mm	HIN82416

## ASEC Friction Hinge Top Hung - 13mm



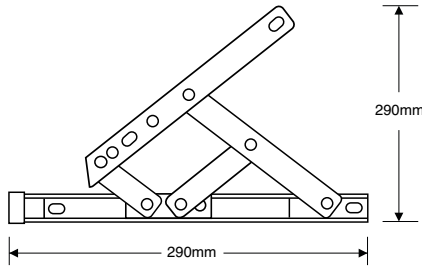
### Features

- Fool proof locating system for reliable, accurate closure
- Effective weather & draught proofing
- Smooth Overview
- Supplied in pairs

### Associated Products

MILA Ideal UPVC Casement Hinge Protector  
L23524 13mm

CHAMELEON 4mm Packers To Suit Friction Stays  
CH10661 4mm (pack of 20)



Product Code	Finish	Length	Width	Stack Height	Mfr Ref.
L14516	Stainless Steel	200mm	18mm	13mm	HIN81208
L14517	Stainless Steel	250mm	18mm	13mm	HIN81210
L14518	Stainless Steel	300mm	18mm	13mm	HIN81212
L14519	Stainless Steel	400mm	18mm	13mm	HIN81216
L14520	Stainless Steel	500mm	18mm	13mm	HIN81220
L14521	Stainless Steel	600mm	18mm	13mm	HIN81224

## ASEC Friction Hinge Top Hung - 17mm



### Features

- Fool proof locating system for reliable, accurate closure
- Effective weather & draught proofing
- Smooth Overview
- Supplied in pairs

### Associated Products

MILA Ideal UPVC Casement Hinge Protector  
L23525 17mm

CHAMELEON 4mm Packers To Suit Friction Stays  
CH10661 4mm (pack of 20)

Product Code	Finish	Length	Width	Stack Height	Mfr Ref.
L14522	Stainless Steel	200mm	18mm	17mm	HIN81408
L14523	Stainless Steel	250mm	18mm	17mm	HIN81410
L14524	Stainless Steel	300mm	18mm	17mm	HIN81412
L14525	Stainless Steel	400mm	18mm	17mm	HIN81416
L14526	Stainless Steel	500mm	18mm	17mm	HIN81420
L14527	Stainless Steel	600mm	18mm	17mm	HIN81424

## Friction Stay - Standard

## ASEC Adjustable Side Hung Friction Hinge - 13-17mm



### Features

- Adjustable stack height: 13-17mm
- Smooth Overview
- Foolproof locating system for reliable, accurate closure
- Effective weather and draught proofing
- Supplied in pairs

### Overview

Asec adjustable side hung friction hinge with adjustable stack height of 13mm or 17mm.

### Associated Products

[CHAMELEON 4mm Packers To Suit Friction Stays](#)  
CH10661 4mm (pack of 20)

Product Code	Finish	Length	Width	Stack Height
AS10645	Stainless Steel	300mm	18mm	13-17mm
AS10646	Stainless Steel	400mm	18mm	13-17mm

## ASEC Adjustable Top Hung Friction Hinge - 13-17mm



### Features

- Adjustable stack height: 13-17mm
- Smooth Overview
- Foolproof locating system for reliable, accurate closure
- Effective weather and draught proofing
- Supplied in pairs

### Overview

Asec adjustable top hung friction hinge with adjustable stack height of 13mm or 17mm.

### Associated Products

[CHAMELEON 4mm Packers To Suit Friction Stays](#)  
CH10661 4mm (pack of 20)

Product Code	Finish	Length	Width	Stack Height
AS10647	Stainless Steel	200mm	18mm	13-17mm
AS10648	Stainless Steel	250mm	18mm	13-17mm
AS10649	Stainless Steel	300mm	18mm	13-17mm
AS10650	Stainless Steel	400mm	18mm	13-17mm
AS10651	Stainless Steel	500mm	18mm	13-17mm
AS10652	Stainless Steel	600mm	18mm	13-17mm

## NICO Friction Hinge Top Hung - 13mm



### Features

- Successfully tested as a critical component within PAS024 : 2012 (with Hinge Protectors)
- Adjustable friction
- BBA approved
- Supplied in pairs
- Secured by Design Approved

### Overview

The NICO non-handed stainless steel friction hinge is manufactured in the UK and possesses a smooth closing action. The friction slide is made from high strength glass reinforced nylon with an adjustable resistance screw to regulate friction and the all metal end-cap is riveted on to the hinge for extra strength.

### Associated Products

CHAMELEON 4mm Packers To Suit Friction Stays  
CH10661 4mm (pack of 20)

Secured by Design



Police Preferred Specification

Product Code	Finish	Length	Mfr Ref.	Opening Angle - Max
L24954	Stainless Steel	200mm	771000740	60°
L24955	Stainless Steel	250mm	772000740	65°
L24956	Stainless Steel	300mm	773000740	60°
L24965	Stainless Steel	400mm	774500740	60°

## CHAMELEON Friction Stay 4mm Packers



### Features

- Converts 13mm step height to 17mm
- Supplied in packs of 20
- For use with all Chameleon friction stays
- Easy to fit

### Overview

This 4mm packer is easy to install and is used to convert a Chameleon friction hinge with a step height of 13mm into a friction hinge with a step height of 17mm. With this small packer you can now just hold the one friction hinge in stock but be able to provide both step heights.

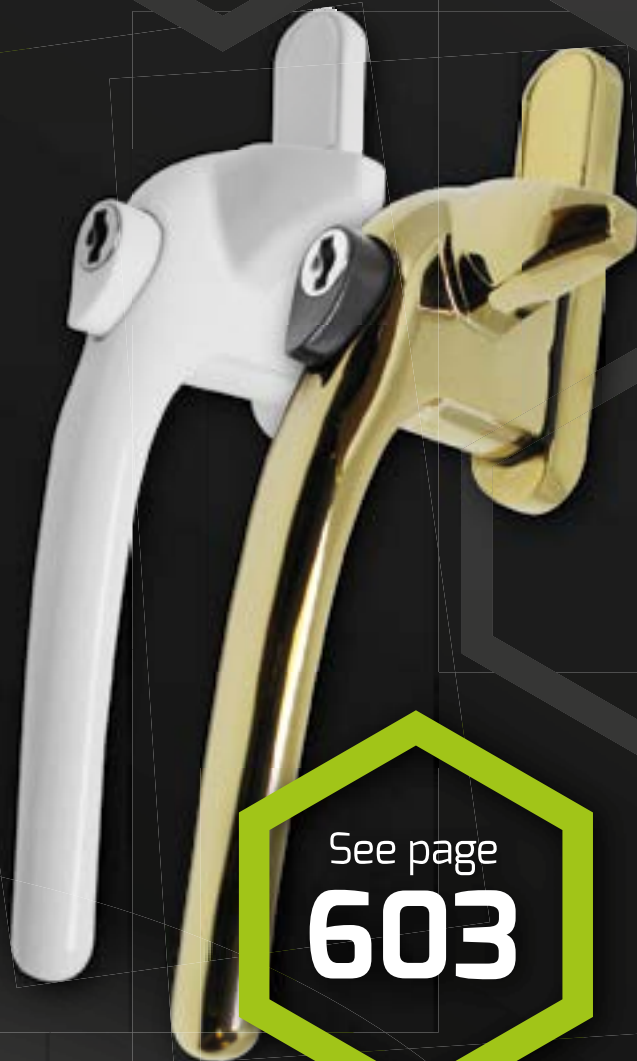
Product Code	Pack Qty	Width	Suits Product	Mfr Ref.
CH10661	20	4mm	Chameleon Friction Stays	CH10661



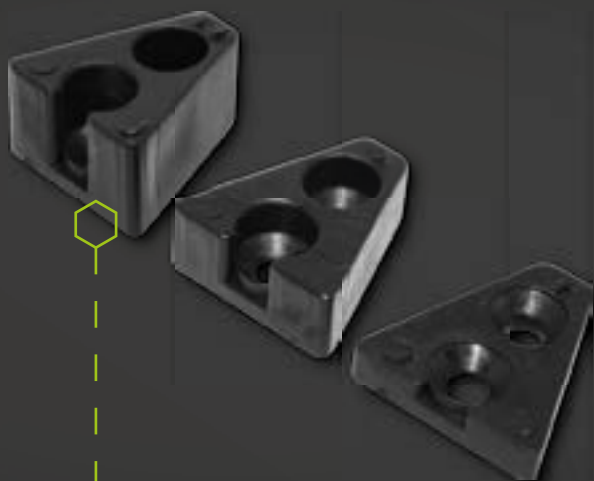
## Adaptable Cockspur Handle Kit

The chameleon® Adaptable Cockspur Window Handle will suit most applications, supplied with 3 packing pieces allowing stepped heights of 9mm, 13mm, 17mm & 21mm.

- Easy to retrofit



See page  
**603**



- Adapty reduces stock holding
- Supplied with 1 key, 2 screws and cover cap
- Provided with three different sized packers

[www.chameleonhardware.co.uk](http://www.chameleonhardware.co.uk)

» Window

# Furniture

---

Handles	<b>588 - 611</b>
Casement Stay	<b>612 - 614</b>
Accessories	<b>615 - 618</b>



## Furniture - Handles (Inline)

## CHAMELEON Adaptable Window Espag Handle (10mm - 55mm)



## Features

- Fits over 95% of casement windows
- Supplied with multiple spindles for ease of fitting
- Built-in 90 degree stop to prevent excessive force on the espagnolette gearbox
- 5 year mechanical guarantee
- Non-handed
- Supplied with 10mm, 15mm, 30mm, 43mm and 55mm spindles

## Associated Products

## CHAMELEON Spindle To Suit Espag Window Handle

CH30020 Spindle Kit - 15mm, 30mm, 43mm &amp; 55mm

CH30014 10mm

CH30016 20mm

Product Code	Depth	Finish	Length	Screw Centres	Spindle	Width
CH18393	50mm	White	160mm	43mm	7mm	17mm
CH18394	50mm	Polished Chrome	160mm	43mm	7mm	17mm
CH21468	50mm	Polished Brass	160mm	43mm	7mm	17mm
CH30033	50mm	Black	160mm	43mm	7mm	17mm
CH14857	50mm	Satin Chrome	160mm	43mm	7mm	17mm

## CHAMELEON Adaptable Window Espag Handle (Without Spindle)



## Features

- Non-handed
- Simple to fit
- Built-in 90 degree stop to prevent excessive force on the espagnolette gearbox
- Designed for improved hand clearance
- Supplied without spindle
- Fits over 95% of casement windows

## Overview

Supplied without a spindle, the Chameleon espagnolette inline window handle is designed to fit over 95% of casement windows and is available in a range of stylish finishes.

## Associated Products

## CHAMELEON Spindle To Suit Espag Window Handle

CH30020 Spindle Kit - 15mm, 30mm, 43mm &amp; 55mm

CH30014 10mm

CH30016 20mm

Product Code	Depth	Finish	Length	Width	Screw Centres
CH30052	50mm	Black	160mm	17mm	43mm
CH30051	50mm	Brushed Chrome	160mm	17mm	43mm
CH30050	50mm	Polished Chrome	160mm	17mm	43mm
CH30049	50mm	Polished Brass	160mm	17mm	43mm
CH30048	50mm	White	160mm	17mm	43mm

ASEC Multi-Spindle Espag Handle Repair Kit



Features

- Fits both left hand and right hand applications
- Key locking with push button Overview
- Universal fitting with 43mm fixing centres
- Supplied with 10mm, 15mm, 20mm, 30mm & 43mm spindles and fixing screws
- Unique magnetic spindle fixing design
- High quality white, polished gold or polished chrome finish available

Overview

The Asec Window Espag Handle Repair Kit features a key locking mechanism for extra security and the inline design means it is suitable for both left and right hand applications. The kit comes with 10mm, 15mm, 20mm, 30mm and 43mm spindle lengths and fixing screws to suit a range of applications.

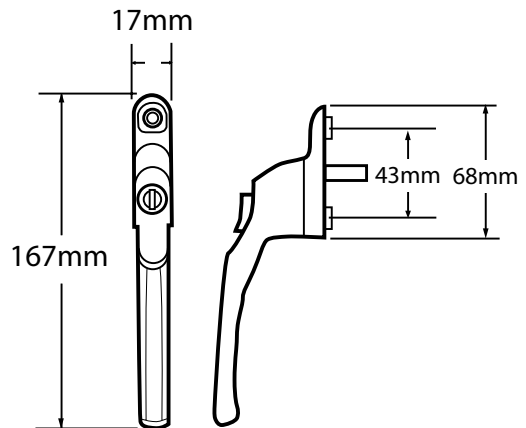
Product Code	Finish	Mfr Ref.	Screw Centres
AS10611	White	AS10611	43mm
AS10612	Polished Chrome	AS10612	43mm
AS10613	Polished Gold	AS10613	43mm

AVOCET Affinity In Line Espag Handle



Features

- 40mm long spindle.
- Inline handles.
- Push to engage locking.



Product Code	Finish	Length	Mfr Ref.	Screw Centres	Spindle	Width
L18495	Chrome Plated	167mm	WHAFADCHBB40	43mm	7mm x 40mm	17mm
L18494	Gold	167mm	WHAFADCGBB40	43mm	7mm x 40mm	17mm
L18493	White	167mm	WHAFADWHBB40A	43mm	7mm x 40mm	17mm

## EASYFIT Adjustable Multi Spindle Espag Handle (10mm - 55mm)



### Features

- Fits over 95% of casement windows.
- Complete with 5mm, 10mm, 15mm, 30mm and 43mm spindles.
- Non-handed
- Simple to fit
- 10 year mechanical guarantee
- Built-in 90 degree stop to prevent excessive force on the espagnolette gearbox

### Overview

Unique patented spindle system allows spindle length to be selected by the fabricator or installer.

### Associated Products

**EASYFIT Non Locking Exit Button For Espag Handle**

L18409 Green

L24143 White

**EASYFIT Espag Handle Window Key**

L18408 Cut Key

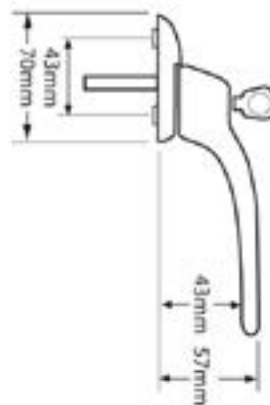
Product Code	Finish	Length	Width	Screw Centres	Spindle	Mfr Ref.
L18394	Chrome Plated	160mm	17mm	43mm	7mm	EHIMPCH1
L21468	Gold	160mm	17mm	43mm	7mm	EHIMPGO1
L18393	White	160mm	17mm	43mm	7mm	EHIMPWH1
L24857	Brushed Chrome	160mm	17mm	43mm	7mm	EHIMPBC1

## FAB & FIX Connoisseur In Line Espag Handle



### Features

- 40mm long spindle.
- Slotted spindle to allow 5mm cropping increments.



Product Code	Finish	Depth	Screw Centres	Spindle	Mfr Ref.
L18487	Chrome Plated	57mm	43mm	7mm	OC141
L18482	Gold	57mm	43mm	7mm	OC145
L18488	Silver	57mm	43mm	7mm	OC142

FAB & FIX Aficionado In Line Espag Handle



Features

- Slotted 40mm long spindle
- Long handle with 50mm window clearance
- Key clicks into place when inserted
- Designed for PVC-U and Timber windows
- Tested to 50,000 cycles

Product Code	Finish	Length	Width	Screw Centres	Spindle	Mfr Ref.
L18426	White	171mm	17mm	43mm	7mm x 40mm	OA140

Greenteq Alpha Inline Espag Handle



Features

- Available in a range of finishes
- 90° stop / click location washer
- Key locking with push button Overview
- Fits both left hand and right hand applications
- 40mm spindle
- Supplied with 1 key

Overview

The Greenteq Alpha range of Inline Espag Window Handles features a key locking mechanism for extra security and the inline design means it is suitable for both left and right hand applications. The unit comes with a 40mm spindle and fixing screws.

Product Code	Body Height	Depth	Finish	Screw Centres	Spindle	Mfr Ref.
L25262	67mm	55.5mm	White	43mm	40mm	2QEH0061D
L25263	67mm	55.5mm	Chrome Polish	43mm	40mm	2QEH0063A
L25264	67mm	55.5mm	Satin Chrome	43mm	40mm	2QEH0065A
L25265	67mm	55.5mm	Gold	43mm	40mm	2QEH0064A

## HOPPE Tokyo UPVC Espag Handle Inline ID237/1171

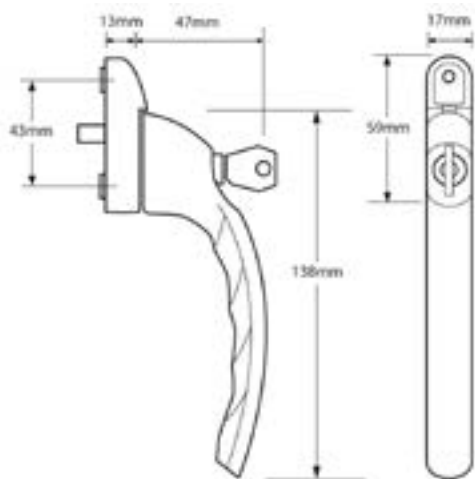


### Features

- For use with Espagnolette window locks
- Handle is easily opened by pushing the button and will operate to the positive stop position at 90°.
- Handle is automatically locked when closed, and can be deadlocked with the key
- Non-Handed
- 10 year mechanical guarantee
- Concealed fixing screws

### Overview

The Hoppe Tokyo Inline is an espagnolette handle made from cast aluminium and designed for minimal aesthetic intrusion with concealed fixing screws. A push cylinder, which can be deadlocked by using a key, operates the handle. The Hoppe Tokyo Inline has a positive stop at 90°, is non-handed and the handle latches automatically when closed.



Product Code	Finish	Handle Length	Plate Width	Screw Centres	Spindle	Mfr Ref.
L15324	Gold	138mm	17mm	43mm	7mm	ID2397890
L23927	Polished Chrome	138mm	17mm	43mm	7mm	2397822
L15325	Silver	138mm	17mm	43mm	7mm	ID2371171
L15104	White	138mm	17mm	43mm	7mm	ID2371534

HOPPE UPVC Espag Handle Inline 0710S/U26

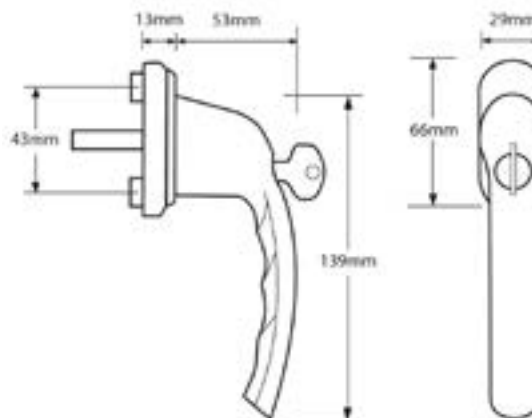


Features

- Fully concealed fixings.
- 32mm projecting spindle.
- Uses key no. 2W153.

Notes

The handle will engage in four positions at 90° increments and when locked will always move freely to the tilt position.



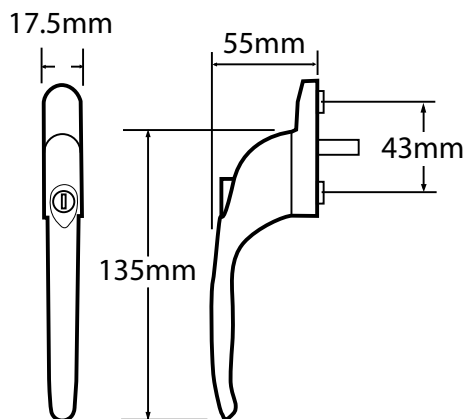
Product Code	Finish	Screw Centres	Spindle	Mfr Ref.
L17398	Gold	43mm	7mm	0710S/U26
L17396	Silver	43mm	7mm	0710S/U26
L17397	White	43mm	7mm	0710S/U26

MILA Prolinea In Line Espag Handle



Features

- 40mm long spindle.
- Inline handles.
- Push to engage locking.



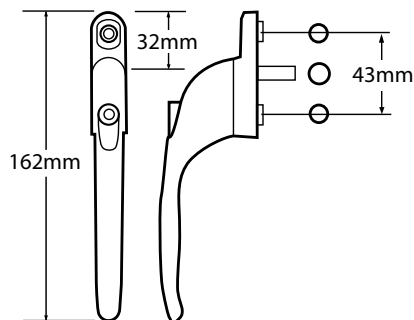
Product Code	Finish	Screw Centres	Spindle	Mfr Ref.
L18473	Chrome Plated	43mm	7mm	581027
L18474	Gold	43mm	7mm	581017
L18475	White	43mm	7mm	581007

SECURISTYLE Virage In Line Espag Handle



Features

- 43mm long spindle.
- Inline handles.
- Push to unlatch.
- Key to deadlock.



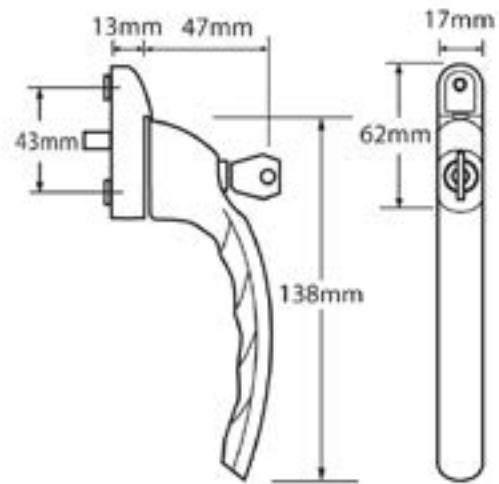
Product Code	Finish	Screw Centres	Spindle	Mfr Ref.
L18506	White	43mm	7mm	EBI43WH
L25672	White	43mm	15mm	EI15WHB
L25673	White	43mm	40mm	EI40WHB

YALE UPVC Espag Handle Inline



Features

- Stylish contemporary window handles.
- Key locking and non locking.
- 40mm long spindle.
- Non locking option available with green button to help identify fire exit.
- Co-ordinated covers caps.



Product Code	Finish	Screw Centres	Spindle	Mfr Ref.
L17793	Gold	43mm	7mm	YWHLCK40N
L17792	Polished Chrome	43mm	7mm	YWHLCK40N
L17791	White	43mm	7mm	YWHLCK40N



## YALE YWHLCK40N Espag Inline Window Handle

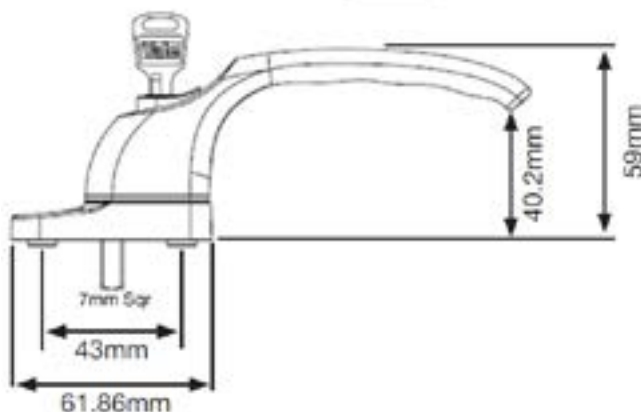
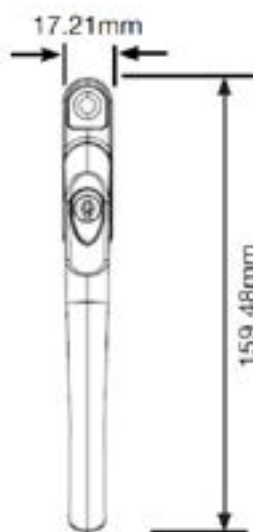


### Features

- Replacement window handle for PVCu windows
- Fits all concealed espagnolette and shootbolt locking systems
- Push button Overview with key deadlocking for additional security
- Includes key, fixing screws and cover cap
- 40mm Long Spindle
- 2 Year Guarantee

### Overview

The Yale YWHLCK40N is a replacement window handle for UPVC windows. This particular product is inline and fits all concealed espagnolette and shootbolt locking systems. The YWHLCK40 provides extra security as it is push button operated with key deadlocking.



Product Code	Finish	Depth	Length	Screw Centres	Spindle	Mfr Ref.
L23594	Gold	59mm	159.48mm	43mm	7mm	YWHLCK40N-PG
L23593	Polished Chrome	59mm	159.48mm	43mm	7mm	YWHLCK40N-PC
L23592	White	59mm	159.48mm	43mm	7mm	YWHLCK40N-WH

## CHAMELEON Adaptable Multi Spindle Offset Window Espag Handle (10mm - 55mm)



### Features

- Simple to fit
- Complete with 10mm, 15mm, 30mm, 43mm and 55mm spindles
- Handed

### Overview

This offset espag handle is designed with both use and installation in mind and comes complete with 5 sizes of spindle so you don't need to cut anything down on site. Simply pop the required spindle into the back of the handle and it is ready to install, it comes complete with a key, fixing bolts and 5 spindles (10mm, 15mm, 30mm, 43mm and 55mm).

Product Code	Finish	Width	Depth	Length	Handed	Screw Centres
CH30004	White	17mm	55.8mm	159mm	Left	43mm
CH30005	White	17mm	55.8mm	159mm	Right	43mm
CH30006	Polished Brass	17mm	55.8mm	159mm	Left	43mm
CH30007	Polished Brass	17mm	55.8mm	159mm	Right	43mm
CH30008	Polished Chrome	17mm	55.8mm	159mm	Left	43mm
CH30009	Polished Chrome	17mm	55.8mm	159mm	Right	43mm
CH30010	Satin Chrome	17mm	55.8mm	159mm	Left	43mm
CH30011	Satin Chrome	17mm	55.8mm	159mm	Right	43mm
CH30012	Black	17mm	55.8mm	159mm	Left	43mm
CH30013	Black	17mm	55.8mm	159mm	Right	43mm

## CHAMELEON Adaptable Offset Locking Window Espag Handle (Without Spindle)



### Features

- Supplied with 1 key
- Handed
- Simple to fit
- Supplied without spindle

### Overview

Supplied without a spindle, the Chameleon espagnolette offset window handle is easy to fit and available in a range of stylish finishes.

### Associated Products

**CHAMELEON Spindle To Suit Espag Window Handle**  
 CH30020 Spindle Kit - 15mm, 30mm, 43mm & 55mm  
 CH30014 10mm  
 CH30016 20mm

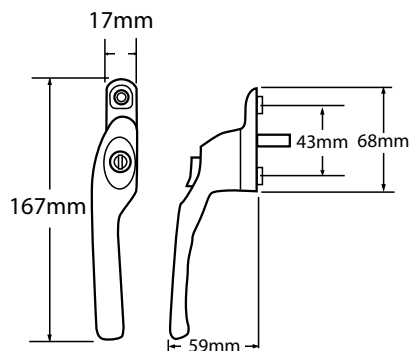
Product Code	Finish	Width	Depth	Handed	Length	Screw Centres
CH30053	White	17mm	55.8mm	Left	159mm	43mm
CH30062	Black	17mm	55.8mm	Right	159mm	43mm
CH30061	Black	17mm	55.8mm	Left	159mm	43mm
CH30060	Satin Chrome	17mm	55.8mm	Right	159mm	43mm
CH30059	Satin Chrome	17mm	55.8mm	Left	159mm	43mm
CH30058	Polished Chrome	17mm	55.8mm	Right	159mm	43mm
CH30057	Polished Chrome	17mm	55.8mm	Left	159mm	43mm
CH30056	Polished Brass	17mm	55.8mm	Right	159mm	43mm
CH30055	Polished Brass	17mm	55.8mm	Left	159mm	43mm
CH30054	White	17mm	55.8mm	Right	159mm	43mm

## AVOCET Affinity Espag Handle - Offset



### Features

- 40mm long spindle.
- Push to engage locking.



Product Code	Finish	Depth	Length	Handed	Screw Centres	Spindle	Mfr Ref.
L18497	White	59mm	167mm	Left Hand	43mm	7mm	WHAFADWHBBL40A
L18496	White	59mm	167mm	Right Hand	43mm	7mm	WHAFADWHBBR40A

ERA 48mm Cadenza Window Handle



Features

- Designed specifically for slim aluminium window profiles
- Robust grip suitable for residential and commercial applications
- Self-contained gearing mechanism
- Available in brass, white and silver finishes
- Supplied with keys

Overview

The Era Cadenza range of window handles are a locking solution specifically developed for slim aluminium window profiles. Suitable for residential and commercial use, these handles come supplied with keys and are available in three stylish finishes.

Product Code	Finish	Handed	Length	Screw Centres	Spindle	Mfr Ref.
L24947	White	Left Hand	176.3mm	64mm	48mm	WHCA2WH48LLBWA
L24948	White	Right Hand	176.3mm	64mm	48mm	WHCA2WH48RLBWA
L24949	Brass	Left Hand	176.3mm	64mm	48mm	WHCA2MG48LLDBA
L24950	Brass	Right Hand	176.3mm	64mm	48mm	WHCA2MG48RLDBA
L24951	Silver	Left Hand	176.3mm	64mm	48mm	WHCA2SP48LLDBA
L24952	Silver	Right Hand	176.3mm	64mm	48mm	WHCA2SP48RLDBA

FAB & FIX Aficionado Offset Espag Handle



Features

- 40mm long spindle.
- Slotted spindle to allow 5mm cropping increments.

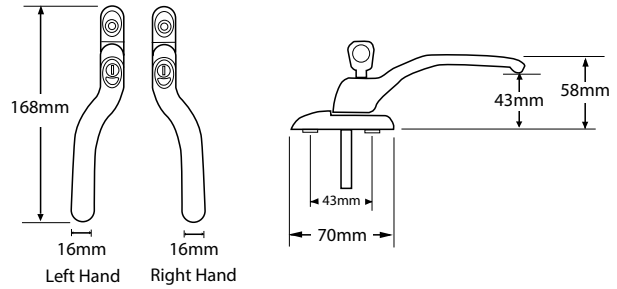
Product Code	Finish	Depth	Handed	Screw Centres	Spindle	Mfr Ref.
L18425	White	58mm	Left Hand	43mm	7mm	OB440
L18424	White	58mm	Right Hand	43mm	7mm	OB140

FAB & FIX Connoisseur Offset Espag Handle



Features

- 40mm long spindle.
- Slotted spindle to allow 5mm cropping increments.
- Push to engage locking.
- Handed.



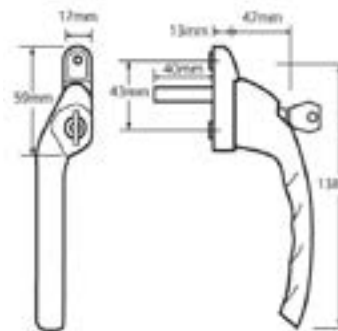
Product Code	Finish	Depth	Length	Handed	Screw Centres	Spindle	Mfr Ref.
L18483	Gold	58mm	168mm	Left Hand	43mm	7mm	OD445
L18485	Silver	58mm	168mm	Left Hand	43mm	7mm	OD442
L18484	Gold	58mm	168mm	Right Hand	43mm	7mm	OD145
L18486	Silver	58mm	168mm	Right Hand	43mm	7mm	OD142

HOPPE UPVC Espag Handle Cranked



Features

- For use with Espagnolette window locks
- Handle is easily opened by pushing the button and will operate to the positive stop position at 90°.
- Handle is automatically locked when closed, and can be deadlocked with the key



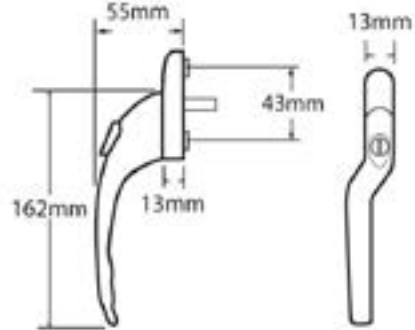
Product Code	Finish	Depth	Handed	Screw Centres	Spindle	Mfr Ref.
L15328	Gold	60mm	Left Hand	43mm	7mm	ID2437206
L15330	Silver	60mm	Left Hand	43mm	7mm	ID2372001
L15326	White	60mm	Left Hand	43mm	7mm	ID2372174
L15329	Gold	60mm	Right Hand	43mm	7mm	ID2437062
L15331	Silver	60mm	Right Hand	43mm	7mm	ID2371702
L15327	White	60mm	Right Hand	43mm	7mm	ID2371841

MILA ProLinea Offset Espag Handle



Features

- 40mm long spindle.
- Push to engage locking.
- Handed.



Product Code	Finish	Depth	Handed	Screw Centres	Spindle	Mfr Ref.
L18480	Chrome Plated	55mm	Left Hand	43mm	7mm	581355
L18469	Gold	55mm	Left Hand	43mm	7mm	581335
L18471	White	55mm	Left Hand	43mm	7mm	581315
L18481	Chrome Plated	55mm	Right Hand	43mm	7mm	581354
L18470	Gold	55mm	Right Hand	43mm	7mm	581334
L18472	White	55mm	Right Hand	43mm	7mm	581314

## YALE YWHLCK40 Espag Offset Window Handle

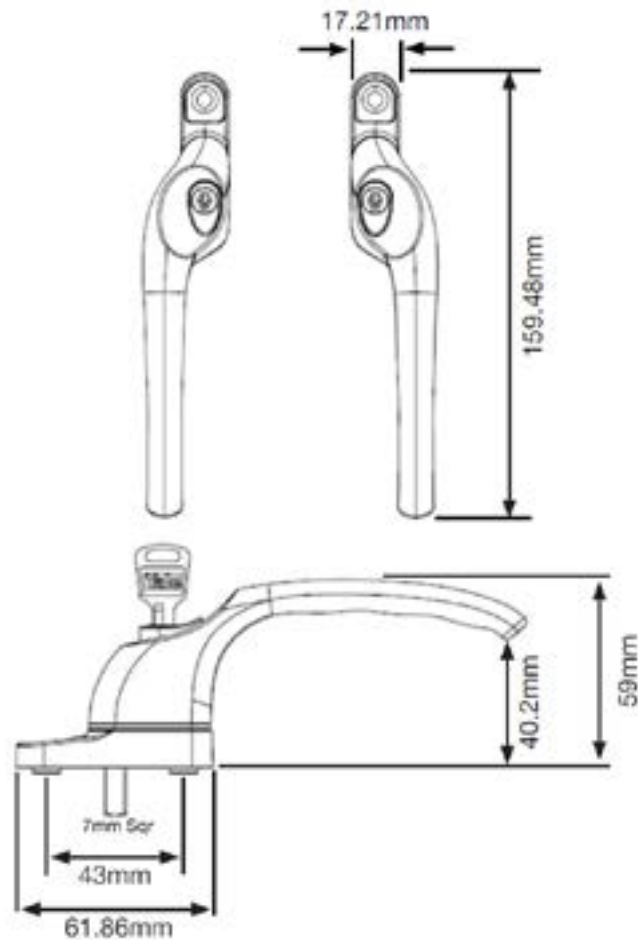


### Features

- Replacement window handle for PVCu windows
- Supplied with fixing screw, screw cover cap and key
- Spindle markings make it easier to cut down if a shorter length is required
- Offset provides more hand space when opening
- 40mm Long Spindle
- 2 Year Guarantee

### Overview

The Yale YWHLCK40 is a replacement window handle for PVCu windows. This particular product is offset and fits most sizes of popular PVCu windows thanks to its 40mm spindle. Spindle markings on the product make it easier to cut it down when a shorter length is required.



Product Code	Finish	Depth	Length	Handed	Screw Centres	Spindle	Mfr Ref.t
L23600	Gold	59mm	159.48mm	Left Hand	43mm	7mm	YWHLCK40L-PG
L23599	Polished Chrome	59mm	159.48mm	Left Hand	43mm	7mm	YWHLCK40L-PC
L23598	White	59mm	159.48mm	Left Hand	43mm	7mm	YWHLCK40L-WH
L23597	Gold	59mm	159.48mm	Right Hand	43mm	7mm	YWHLCK40R-PG
L23596	Polished Chrome	59mm	159.48mm	Right Hand	43mm	7mm	YWHLCK40R-PC
L23595	White	59mm	159.48mm	Right Hand	43mm	7mm	YWHLCK40R-WH

## CHAMELEON Adaptable Cockspur Handle Kit



### Features

- Supplied complete with packers to make it suitable for step heights between 9mm and 21mm
- Available in left and right handed versions
- Available in a choice of finishes
- Key operated locking mechanism
- Supplied complete with 1 key

### Overview

This adaptable cockspur handle is supplied complete with packers to allow it to be used where the stack height is between 9mm and 21mm. It is a handed product and is available in both left and right variants and a selection of colours. It is supplied with everything you need including key, packers covers and grub screws.

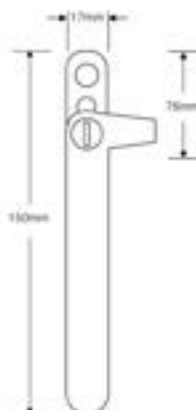
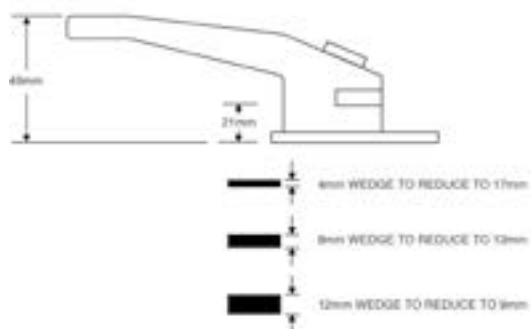
### Associated Products

#### CHAMELEON Cockspur Handle Fitting Wedge

- CH21725 White - 3mm
- CH21726 White - 4.5mm
- CH21727 White - 5mm
- CH21728 White - 6mm
- CH21729 White - 8mm

#### CHAMELEON Spindle To Suit Espag Window Handle

- CH30020 Spindle Kit - 15mm, 30mm, 43mm & 55mm



Product Code	Depth	Finish	Handed	Length
CH10457	49mm	White	Left Hand	153mm
CH10458	49mm	White	Right Hand	153mm
CH10459	49mm	Satin Anodised Aluminium	Left Hand	153mm
CH10460	49mm	Satin Anodised Aluminium	Right Hand	153mm
CH10461	49mm	Gold	Left Hand	153mm
CH10462	49mm	Gold	Right Hand	153mm
CH10588	49mm	Black	Left Hand	153mm
CH10589	49mm	Black	Right Hand	153mm



## Asec Adjustable Cockspur Handle Kit (9mm - 21mm)



### Features

- Will suit most applications from 9mm to 21mm
- Provided with three differently sized packers
- Simple & easy to fit
- Left & right hand available
- Key operated locking mechanism
- Adjustability reduces stock holding

### Overview

The Asec adjustable cockspur window handle is supplied with 3 packing pieces making it suitable for most applications between 9mm and 21mm.

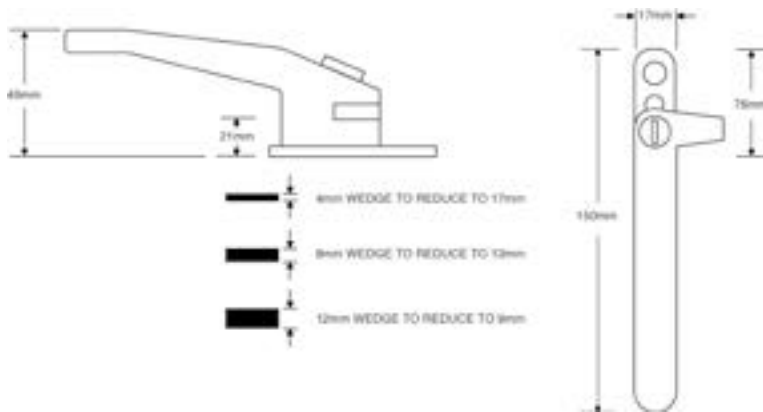
### Notes

9mm - 21mm step height

### Associated Products

#### MILA Cockspur Handle Fitting Wedge

L21725	White - 3mm
L21726	White - 4.5mm
L21727	White - 5mm
L21728	White - 6mm
L21729	White - 8mm



Product Code	Finish	Depth	Length	Width	Handed
AS10588	Black	49mm	153mm	17mm	Left Hand
AS10461	Gold	49mm	153mm	17mm	Left Hand
AS10459	Satin Anodised Aluminium	49mm	153mm	17mm	Left Hand
AS10457	White	49mm	153mm	17mm	Left Hand
AS10589	Black	49mm	153mm	17mm	Right Hand
AS10462	Gold	49mm	153mm	17mm	Right Hand
AS10460	Satin Anodised Aluminium	49mm	153mm	17mm	Right Hand
AS10458	White	49mm	153mm	17mm	Right Hand

ASEC Cockspur Espag Handle With Spindle

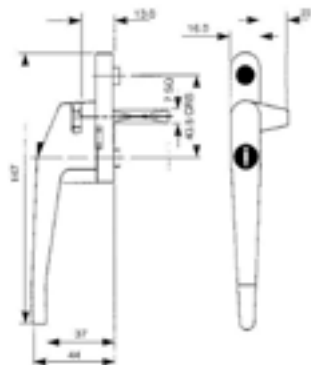


Features

- Handed
- Locked and un locked by key
- 40mm spindle
- 13mm step height

Overview

13mm Step height cockspur handle complete with square 40mm drive spindle



Product Code	Finish	Length	Handed	Screw Centres	Spindle	Mfr Ref.
AS10203	White	147mm	Left Hand	43.5mm	7mm	AS10203
AS10204	White	147mm	Right Hand	43.5mm	7mm	AS10204

AVOCET Cockspur Handle

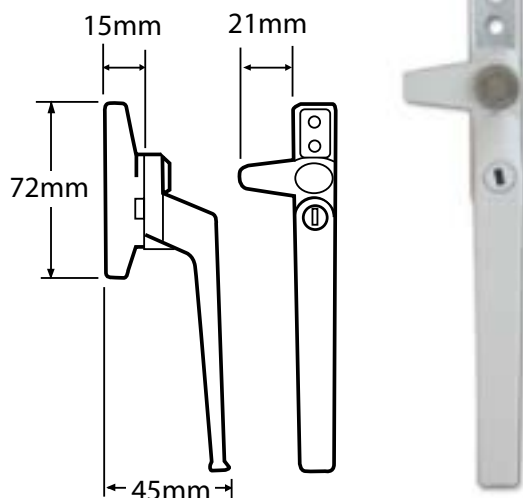


Features

- 9mm, 17.5mm & 22mm step heights.
- Locked and unlocked by key.
- Handed.

Product Code	Finish	Depth	Handed	Mfr Ref.	Step Height
L25691	Silver	45mm	Left Hand	ZSC1KL	9mm
L25692	Silver	45mm	Right Hand	ZSC1KR	9mm
L18491	White	45mm	Left Hand	ZWH1KL	9mm
L18492	White	45mm	Right Hand	ZWH1KR	9mm
L18490	White	45mm	Left Hand	ZWH3KLN	17.5mm
L18489	White	45mm	Right Hand	ZWH3KRN	17.5mm
L18499	White	45mm	Left Hand	ZWH4KLN	22mm
L18498	White	45mm	Right Hand	ZWH4KRN	22mm

## MILA Cotswold Cockspur Handle - 13mm



## Features

- 13mm step height.
- Locked and unlocked by key.
- Handed.

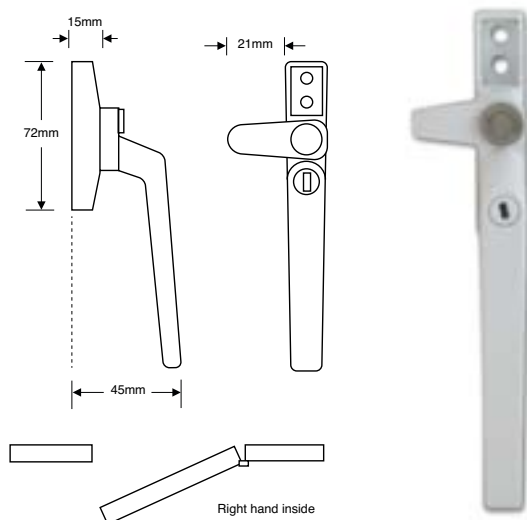
## Associated Products

## MILA Cockspur Handle Fitting Wedge

L21725	White - 3mm
L21726	White - 4.5mm
L21727	White - 5mm
L21728	White - 6mm
L21729	White - 8mm

Product Code	Depth	Finish	Handed	Mfr Ref.
L18476	45mm	Silver	Left Hand	56013
L18478	45mm	White	Left Hand	56017
L18477	45mm	Silver	Right Hand	56012
L18479	45mm	White	Right Hand	56016

## MILA Cotswold Cockspur Handle - 21mm



## Features

- 21mm step height
- Locked and unlocked by key
- Available either left handed or right handed
- Supplied with 1 key

## Overview

Cotswold Cockspur Handle by Mila with a 21mm step height, this product is handed and comes in either a white or a silver finish.

## Associated Products

## MILA Cockspur Handle Fitting Wedge

L21725	White - 3mm
L21726	White - 4.5mm
L21727	White - 5mm
L21728	White - 6mm
L21729	White - 8mm

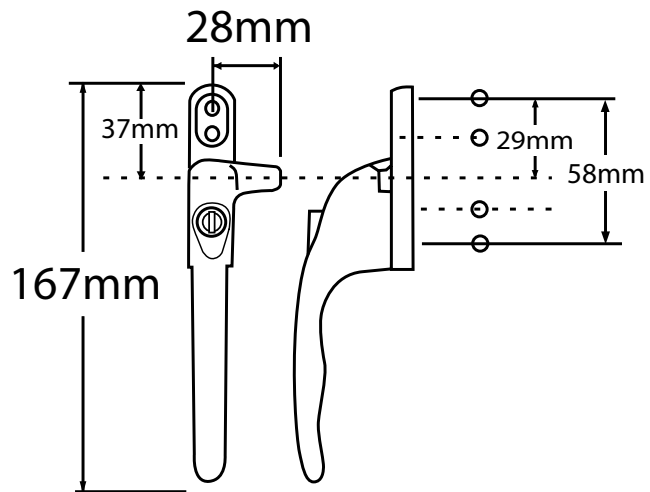
Product Code	Finish	Handed	Keys Supplied	Mfr Ref.
L24008	Silver	Left Hand	1	56053
L24010	White	Left Hand	1	56057
L24007	Silver	Right Hand	1	56052
L24009	White	Right Hand	1	56056

SECURISTYLE Virage Offset Cockspur Espag Handle



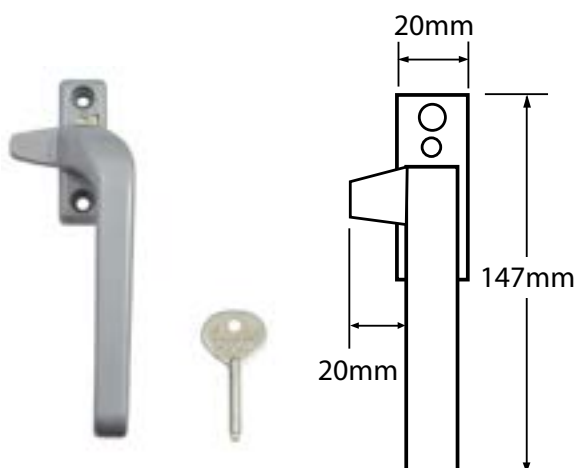
Features

- 21mm step height
- Locked and unlocked by key
- Right and left handed



Product Code	Finish	Type	Handed	Mfr Ref.
L18501	Gold	Locking	Left Hand	CB21BSL
L18505	White	Locking	Left Hand	CB21WHL
L18500	Gold	Locking	Right Hand	CB21BSR
L18504	White	Locking	Right Hand	CB21WHR
L25658	White	Non-locking	Left Hand	C09WHL
L25659	White	Non-locking	Right Hand	C09WHR
L25660	White	Non-locking	Left Hand	C21WHL
L25661	White	Non-locking	Right Hand	C21WHR
L25662	Black	Locking	Left Hand	CB09BKL
L25663	Black	Locking	Right Hand	CB09BKR
L25664	Silver	Locking	Left Hand	CB09SLL
L25665	Silver	Locking	Right Hand	CB09SLR
L25666	White	Locking	Left Hand	CB09WHL
L25667	White	Locking	Right Hand	CB09WHR

## TITON Derwent Cockspur Handle



## Features

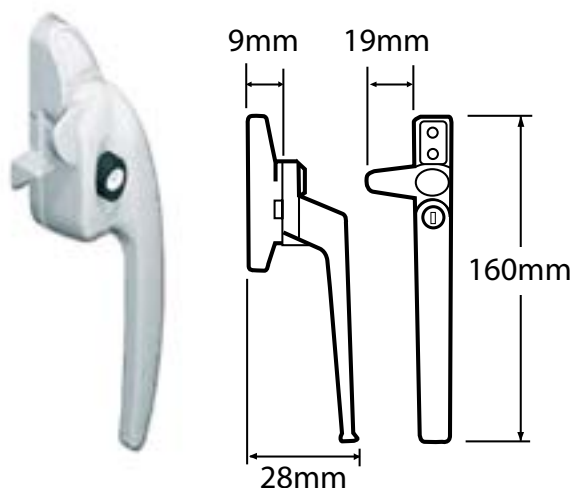
- Handed

## Associated Products

TITON Derwent Cockspur Handle Keep  
L18527 White Night Vent

Product Code	Finish	Handed	Length	Mfr Ref.
L18528	Silver	Left Hand	147mm	TF501LN357
L18519	White	Left Hand	147mm	TF501LN020
L18518	Silver	Right Hand	147mm	TF500LN357
L18520	White	Right Hand	147mm	TF500LN020

## TITON Select Cockspur Handle



## Features

- Designed for timber.
- Locked and unlocked by key.
- Handed.

## Associated Products

TITON Select Cockspur Handle Keep  
L18521 Brown  
L18522 White

Product Code	Depth	Finish	Handed	Length	Mfr Ref.
L18523	28mm	Brown	Left Hand	160mm	TF1201023
L18525	28mm	White	Left Hand	160mm	TF1201020
L18524	28mm	Brown	Right Hand	160mm	TF1200023
L18526	28mm	White	Right Hand	160mm	TF1200020

Winlock Odyssey Offset 48mm Tongue Drive Window Handle

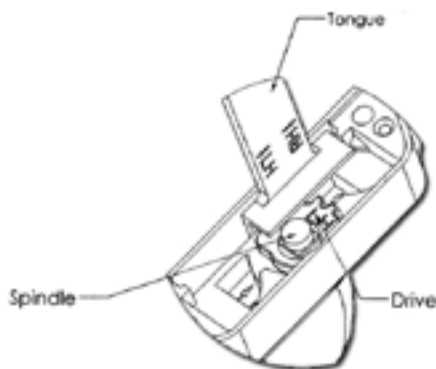


Features

- Non Handed
- Predominantly used on aluminium windows
- Special locking plugs to avoid damage on site
- Croppable 48mm tongue
- Manufactured in the UK
- Includes screw cover and 1 key

Overview

The Odyssey Tongue Drive is especially suitable for aluminium window applications. It is easily reversible in the field and is fitted as standard with a croppable 48mm tongue



Product Code	Finish	Handed	Spindle
L22616	Polished Brass	Reversible	Flat 48mm
L22615	Satin Chrome	Reversible	Flat 48mm
L22614	White	Reversible	Flat 48mm

## ERA 808 Locking Casement Window Handle



### Features

- Suitable for most outward opening casements
- Can be locked partially open for ventilation
- The locking function can also be disconnected allowing the handle to be used as an ordinary latch
- 100 key variations
- All keys are stamped with key number
- Supplied with fixings

### Overview

The ERA Locking Handle fits most wooden casement windows.

### Associated Products

ERA 682-56 Window Key To Suit 800 / 900  
L00070 682-56

Product Code	Finish	Height	Length	Width	Mfr Ref.
6742	Polished Brass	48mm	139mm	16mm	808-32
6766	White	48mm	139mm	16mm	808-12

## SMITH WALLIS 158 Metal Window Casement Handle

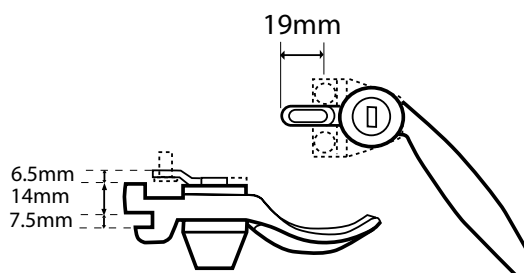


### Features

- B158 2 Point Locking.
- Dark toned.
- Locking Cockscur handle.
- Supplied without backplate.
- Handed.

### Associated Products

SMITH WALLIS 990 Backplate To Suit Metal Window Casement Handle  
L18513 Steel



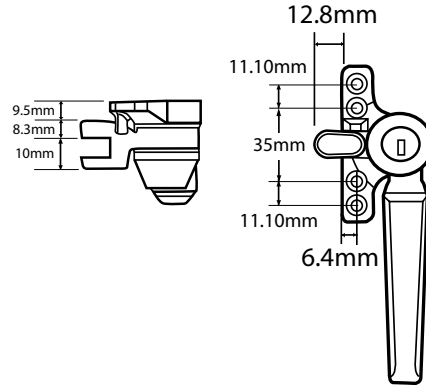
Product Code	Brand	Finish	Handed	Mfr Ref.
L18508	Smith Wallis	Tone Dark	Left Hand	B015807070L2RD
L18507	Smith Wallis	Tone Dark	Right Hand	B015807070R2RD

SMITH WALLIS A709 Metal Window Casement Handle



Features

- Handed Cockspur handle.
- Locking.



Product Code	Finish	Handed	Screw Centres	Mfr Ref.
L18510	Satin Chrome	Left Hand	35mm & 57.2mm	A070901182L8AN
L18509	Satin Chrome	Right Hand	35mm & 57.2mm	A070901182R8AN

SMITH WALLIS Z148 Metal Window Casement Handle

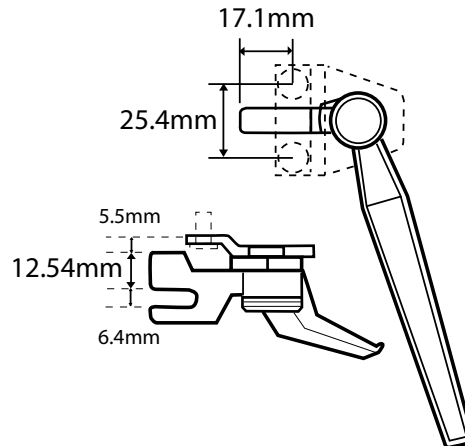


Features

- Non locking Cockspur.
- Supplied without backplate.
- Handed.

Associated Products

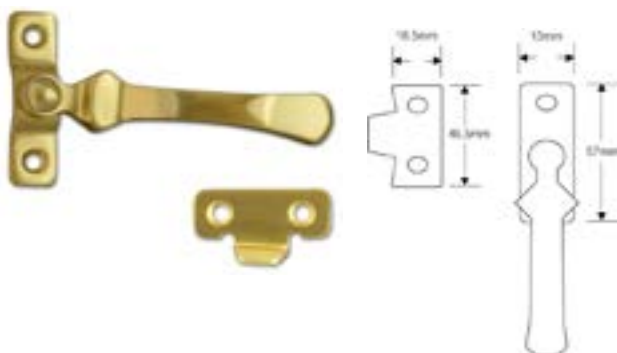
SMITH WALLIS 990 Backplate To Suit Metal Window Casement Handle  
L18513 Steel



Product Code	Finish	Handed	Screw Centres	Mfr Ref.
L18515	Satin Chrome	Left Hand	25.4mm	Z014800S99L1SC
L18514	Satin Chrome	Right Hand	25.4mm	Z014800S99R1SC



## Asec Casement Fastener



## Features

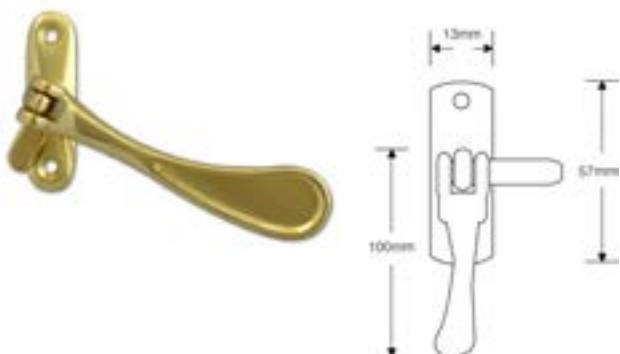
- Wedge fitting
- Reversible

## Overview

Victorian pattern wedge fitting casement fastener

Product Code	Finish	Length	Width	Handed
AS3759	Brass	57mm	13mm	Reversible

## Asec Victorian Casement Fastener



## Features

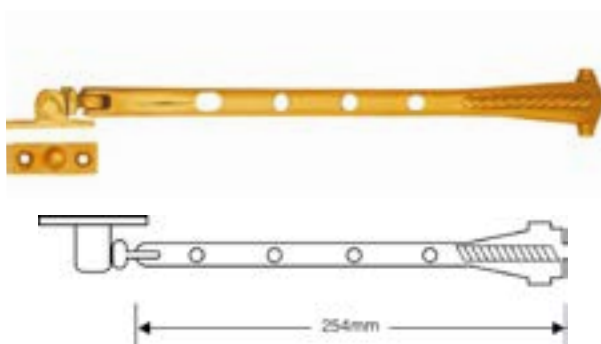
- Supplied with hook plate and mortice plate
- Reversible

## Overview

Traditional spoon pattern Victorian casement fastener complete with either hook or mortice plate

Product Code	Finish	Length	Width	Handed
AS3758	Brass	57mm	13mm	Reversible

## Asec Georgian Casement Stay



## Features

- Standard pin
- Complete with fixing screws

## Overview

Georgian pattern 2 pin 254mm casement stay

Product Code	Finish	Length
AS3760	Polished Brass	254mm

Asec Victorian Casement Stay

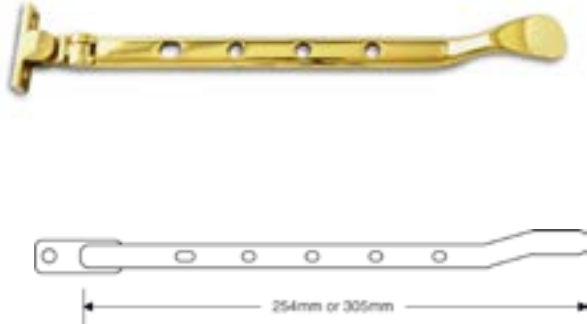


Features

- Standard pin
- Available in 254mm and 305mm

Overview

Traditional spoon pattern Victorian casement stays in two sizes



Product Code	Finish	Length
AS3762	Polished Brass	254mm
AS3761	Polished Brass	305mm

DORTREND 351 Casement Fastener



Features

- Night vent

Overview

Traditional pattern wedge fitting casement fastener



Product Code	Finish	Length	Mfr Ref.
L4292	Anodised Aluminium	125mm	351

## DORTREND 3151 Casement Stay



### Features

- Standard Pin

### Overview

Traditional pattern casement stay

Product Code	Finish	Length	Mfr Ref.
L4289	Anodised Aluminium	200mm	3151
L4290	Anodised Aluminium	250mm	3151
L4291	Anodised Aluminium	300mm	3151

## FRISCO 890 Casement Fastener



### Features

- Zinc alloy
- Standard pin
- Base plate hole centres 35mm
- Powder coated finish
- Reversible

Product Code	Finish	Handed	Length	Mfr Ref.
L226	White	Reversible	100mm	890

## FRISCO 900A Casement Stay



### Features

- Standard Pin

### Overview

Traditional pattern casement stay

Product Code	Finish	Length	Mfr Ref.
2082	Grey	203mm	900A
L228	Brown	254mm	900A
2085	Grey	254mm	900A
L229	White	254mm	900A
L3294	Brown	305mm	900A
2089	Grey	305mm	900A
L3295	White	305mm	900A

## CHAMELEON Fitting Wedge To Suit Cockspur Handles



### Features

- Used on the window frame to close the handle against
- Available in a range of sizes (3mm to 8mm)
- Can be used on all types of windows

### Overview

These plastic wedges are installed on the window frame with a cockspur handle, they have chamfered edges to assist in providing a tight seal when the window is secured shut.

Product Code	Depth	Finish	Handed
CH21725	3mm	White	Reversible
CH21726	4.5mm	White	Reversible
CH21727	5mm	White	Reversible
CH21728	6mm	White	Reversible
CH21729	8mm	White	Reversible
CH30030	Wedge Kit - 3mm, 4.5mm, 5mm, 6mm, 8mm	White	Reversible

## CHAMELEON Espag Handle Non Locking Exit Button



### Features

- Used to convert standard espag handles to egress handles
- To suit the Chameleon range of adaptable espag handles
- Non locking, always allows exit if installed correctly
- Supplied as button only (espag handles supplied separately)

### Overview

This button allows you to swap out the key operated lock on the range of Chameleon adaptable espag handles, once successfully installed this button provides a permanent means of unlocking and operating the handle, ideal for regress applications.

### Associated Products

- CHAMELEON Adaptable Window Espag Handle (15mm - 55mm)
- CH30033 Black
  - CH21468 Polished Brass
  - CH18394 Polished Chrome
  - CH14857 Satin Chrome
  - CH18393 White

Product Code	Finish	Mechanism
CH18409	Green	Non Locking
CH24143	Green	Non Locking

## CROMPTON 0667-01 Fanlight Catch



### Features

- Designed for top hung windows

Product Code	Finish	Mfr Ref.
L1154	White	0667-01

## EASYFIT Non Locking Exit Button For Espag Handle



### Features

- Button only
- Used to convert standard espag handles to egress handles
- To suit Easy Fit espag handle (L18393, L18394 & L21468)

### Overview

Buttons only to convert locking espag handles to non-locking.

### Associated Products

#### EASYFIT Adjustable Multi Spindle Espag Handle (10mm - 55mm)

L18393	White
L18394	Chrome
L21468	Gold

#### EASYFIT Adjustable Multi Spindle Espag Handle (10mm - 55mm)

L18393	White
L18394	Chrome
L21468	Gold



Product Code	Finish	Mechanism	Mfr Ref.
L18409	Green	Non locking	EHBUTTONGR
L24143	White	Non locking	EHBUTTONWH

### MILA Cockspur Handle Fitting Wedge



#### Features

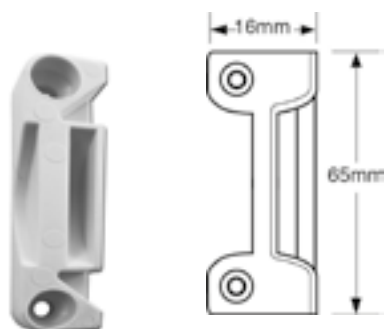
- Available in a range of sizes
- Can be used on all window types and profiles

#### Overview

Plastic wedges used when fitting Cockspur Window Handles.

Product Code	Finish	Depth	Mfr Ref.
L21725	White	3mm	55480
L21726	White	4.5mm	55481
L21727	White	5mm	55482
L21728	White	6mm	55484
L21729	White	8mm	55486

### TITON Derwent Cockspur Handle Keep



#### Features

- Designed for the Titon Derwent Cockspur Handle

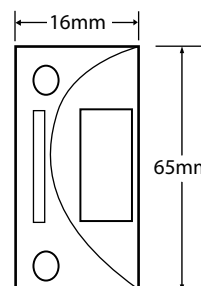
Product Code	Finish	Depth	Length	Mfr Ref.
L18527	White	16mm	65mm	TF205020

### TITON Select Cockspur Handle Keep



#### Features

- Designed for the Titon Select Cockspur Handle



Product Code	Finish	Depth	Length	Mfr Ref.
L18521	Brown	16mm	65mm	TF1243023
L18522	White	16mm	65mm	TF1243020

SMITH WALLIS 990 Backplate  
To Suit Metal Window Casement Handle



Product Code	Finish	Mfr Ref.
L18513	Steel	S09900009PF1NA

» Window

# Tilt & Turn

---

Handles **620 - 622**



## CHAMELEON Adaptable Window Blade/Fork Drive Handle

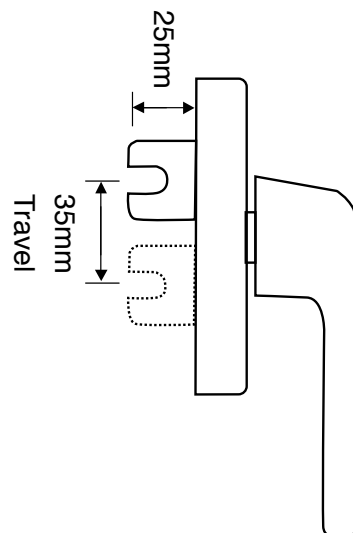
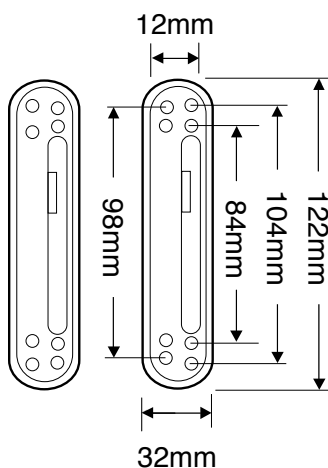


### Features

- The handle can be locked with the key in either the top or bottom positions
- Interchangeable fixing position
- Often used on commercial applications
- The handle will engage in four positions
- The handle drives a fork or a blade (whichever is required)
- Supplied with 2 keys & 2 fixing bolts

### Overview

The Chameleon replacement tilt & turn window handle features a unique design which allows for an interchangeable fork or flat plate fitting. This is ideal for commercial jobs where the fitting type of the original handle may be unknown. The handle comes with both fork and flat plate fittings, 2 keys and 2 fixing screws..



Product Code	Finish	Keys Supplied	Type
CH21806	Silver	2	Inline
CH21805	White	2	Inline

## HOPPE UPVC Espag Handle Inline - Tilt & Turn

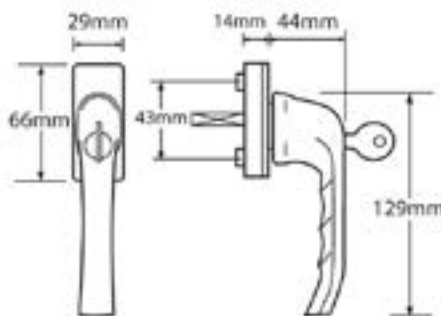


### Features

- Fully concealed fixings
- 32mm projecting spindle
- Uses key no 2W153

### Notes

The handle will engage in four positions at 90° increments and when locked will always move freely to the tilt position



Product Code	Finish	Handle Length	Plate Height	Screw Centres	Spindle	Mfr Ref.
L15370	Gold	129mm	66mm	43mm	7mm	1978799
L15365	Silver	129mm	66mm	43mm	7mm	1978781
L15366	White	129mm	66mm	43mm	7mm	1978801

## MILA ProLinea Inline TBT Locking Handle



### Features

- Tilt before turn function
- Tested to BS 6375 & BS 7950 standards
- Edge-to-edge, colour-matched screw cover cap for enhanced aesthetics
- Ergonomic design (finger grips on lever for comfortable use)
- Suits most common profile systems
- Suitable for PVCu, timber & aluminium windows

### Overview

The ProLinea range of TBT (Tilt Before Turn) handles combine unique design features with Overview reliability, enhanced security and durable suited finishes. Manufactured from a high performance zinc alloy, the ProLinea TBT handle range can be used for both tilt first and turn first applications, and is suitable for PVCu, aluminium and timber framing systems.

Product Code	Finish	Height	Pin Length	Screw Centres	Width	Mfr Ref.
L23618	Gold	151mm	38mm	43mm	30mm	585114
L23617	Satin Silver	151mm	38mm	43mm	30mm	585112
L23619	White	151mm	38mm	43mm	30mm	585118

## ROTO Tilt Before Turn Window Handle With Fork Spindle



### Features

- Tilt before turn function
- Aesthetically pleasing design
- Supplied with 2 keys
- Fully concealed fixings

### Overview

This window handle is fitted with a fork spindle and is suitable for tilt before turn applications.

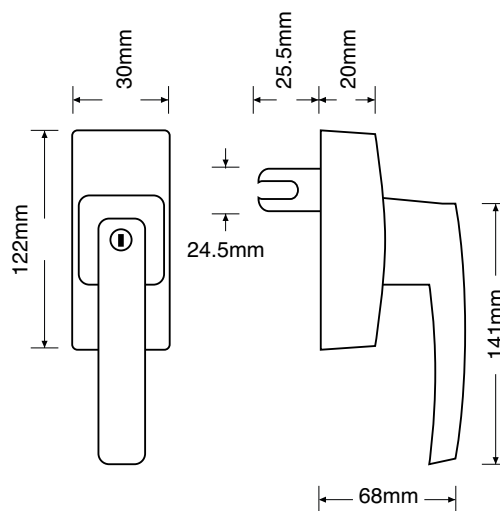
### Associated Products

**ROTO Timber Flat Casement Window Lock Strike**

L22680 Silver

**SILCA DM8 To Suit DOM**

5358 DM8



Product Code	Finish	Overview	Spindle	Type
L22681	Silver	Tilt Before Turn	Fork	In line

# Secondary Security

---

Bolt Lock	<b>624 - 628</b>
Casement Lock	<b>628 - 634</b>
Casement Hinge	<b>635</b>
Pivot Lock	<b>635 - 636</b>
Restrictor	<b>637 - 647</b>
Sash	<b>648 - 657</b>
Snap Lock	<b>658 - 661</b>
Swing Lock	<b>661 - 664</b>
Transom Lock	<b>665</b>
Window Bar	<b>665</b>

## Asec Window Bolt

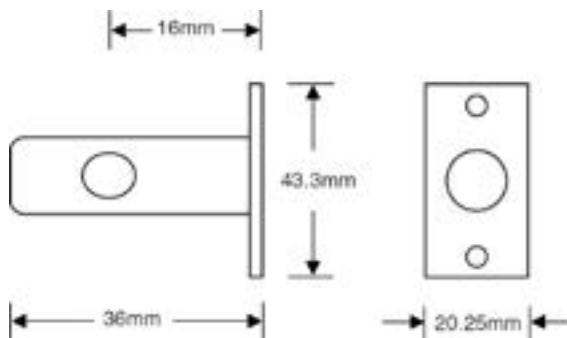


### Features

- Suitable for wooden casement windows
- Bolt is locked or unlocked by a splined key
- complete with one key

### Overview

A pair of window security (rack) bolts ideal for casement windows. Available in a variety of finishes



Product Code	Finish	Body Diameter	Bolt Lengths	Length	Backset
AS5039	Chrome Plated	16mm	7mm	33mm	16mm
AS5038	Electro Brass	16mm	7mm	33mm	16mm
AS5040	White	16mm	7mm	33mm	16mm

## Banham W105 Window Bolt



### Features

- Suitable for wooden casement windows
- Bolt is locked or unlocked by key from either side

Product Code	Finish	Bolt Lengths	Bolt Throw	Backset	Mfr Ref.
9805	Polished Brass	10mm	15mm	20mm	W105

## ERA 803 & 804 Sash Window Bolt



### Features

- Rotating steel bolt resists hack sawing
- Locks on the push of the spring bolt
- Key only required to unlock
- All fixings are concealed when in the locked position
- 1 key supplied
- Available with either cut key or standard key

### Overview

The ERA Window Bolt can be used on most types of wooden windows, including casement, side hung, top hung and Sash windows.

### Associated Products

- ERA Window Lock Key
  - 3088 To Suit 801/2/3/4, 853 & 854
  - 696 To Suit 837 & 838
  - L9493 To Suit 809 & 903
- ERA 682-56 Window Key To Suit 800 / 900
  - L00070 682-56

Product Code	Finish	Bolt Throw	Height	Length	Width	Keyed	Notes	Mfr Ref.
7163	Brown	13mm	40mm	26mm	22mm	KD	Cut Key	804-22
664	Brown	13mm	40mm	26mm	22mm	KA	Standard Key	803-22
8119	White	13mm	40mm	26mm	22mm	KD	Cut Key	804-12
661	White	13mm	40mm	26mm	22mm	KA	Standard Key	803-12

## ERA 826-32 Sash Window Bolt



### Features

- Suitable for sliding sash or top hung wooden windows
- All fixings are concealed when fitted
- Key required to Lock and unlock
- Uses a key operated locking pin
- Locking pin sit in brass bushes

### Overview

The ERA Dual Screw fits most sash windows for concealed security.

Product Code	Finish	Length	Mfr Ref.	Notes	Width
685	Polished Brass	66mm	826-32	2 Bolts & 1 Key	11mm

ERA 837 Window Bolt



Features

- Suitable for wooden casement windows
- Splined key is supplied separately
- Key required to Lock and unlock

Overview

The Window Security Bolt offers concealed security for Wooden windows.

Associated Products

- ERA Window Lock Key
- 3088 To Suit 801/2/3/4, 853 & 854
  - 696 To Suit 837 & 838
  - L9493 To Suit 809 & 903

Product Code	Finish	Body Diameter	Body Length	Bolt Lengths	Length	Backset
692	Polished Brass	16mm	35mm	7mm	35mm	17mm
695	White	16mm	35mm	7mm	35mm	17mm

YALE 119 Sash Window Bolt



Features

- Simple bolt fixing which secures inner and outer frames of sash window, preventing movement
- Bolts concealed within the window
- Suitable for timber sash windows

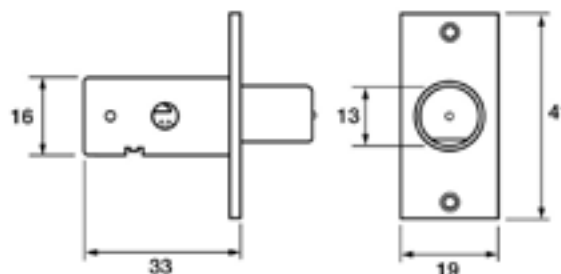
Product Code	Finish	Length	Mfr Ref.	Width
L17285	Polished Brass	69mm	P119	11mm

## YALE 8001M Window Bolt



### Features

- Suitable for wooden casement windows
- Bolt is locked or unlocked by key from either side.



Product Code	Finish	Length	Backset	Mfr Ref.
7796	Polished Brass	33mm	16mm	8001
L17736	White	33mm	16mm	8001M

## YALE 8013 Sash Window Bolt



### Features

- Suitable for sliding sash windows
- Barrel screws into inner frame and the key operated bolt screws into both barrel and frame.

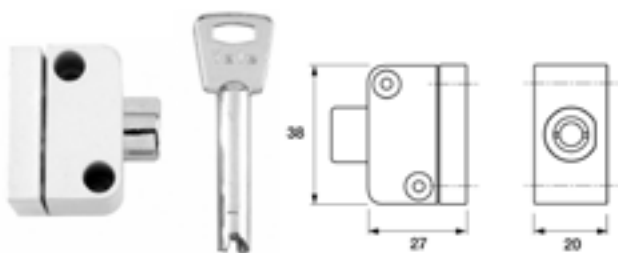
### Associated Products

YALE 8013 Key  
425 W8013 To Suit 8013 & 8K104 Pair

Product Code	Finish	Body Diameter	Body Length	Length	Width	Mfr Ref.
422	Polished Brass	11mm	68mm	68mm	11mm	8013



## YALE 8K102 Window Push Lock



## Features

- Suitable for hinged timber casement windows.
- Particularly suitable for outward opening windows with narrow frames
- Supplied c/w wedge plate for tapered frames & fixing screws

## Associated Products

YALE 8K102 Key  
401 Pair

Product Code	Finish	Height	Length	Width	Mfr Ref.
8177	White	20mm	38mm	18mm	8K102

## YALE 8K114 Multi Purpose Bolt



## Features

- Handy storage for locking bar when not in use
- One way security screws
- Sliding sash windows
- Lock is surface fitted by a locking bar which locks window sections in place.
- The bar is secured and released by key.

Product Code	Finish	Packaging	Mfr Ref.
1976	White	Visi	8K114

## Banham W106 Casement Window Lock



## Features

- Suitable for outward opening hinged windows (particularly narrow stile)
- Supplied c/w non removable clutch head screws
- Window is pulled tight into the frame by screwing a threaded bolt through the lock body into an insert located in the stile

## Associated Products

Banham R102 Window Lock Key  
10298 150mm To Suit R102  
7661 75mm To Suit W106, W107 & W121  
7662 120mm To Suit W106  
7663 85mm To Suit R102  
9804 To Suit W115

Product Code	Finish	Height	Keys Supplied	Length	Mfr Ref.	Width
9798	Gold	18mm	Separate	48mm	W106	16mm
7653	Chrome Plated	18mm	Separate	48mm	W106	16mm

## Banham W108 Window Lock



### Features

- Fits under the Cockspur handle
- Suitable for metal casement windows
- This metal window lock is fitted under the handle and flush to the frame by steel screws.
- The screw heads are covered when the window is closed.



Product Code	Finish	Handed	Height	Mfr Ref.	Width
7658	Chrome Plated	Left Hand	76mm	W108	18mm
7659	Chrome Plated	Right Hand	76mm	W108	18mm

## Banham W109 Window Lock



### Features

- Suitable for metal casements, fanlights & french doors
- Keyed alike (KA92400)



Product Code	Finish	Length	Mfr Ref.	Packaging	Width
L13586	Chrome Plated	60mm	W109	Bagged	22mm

## Banham W115 Window Lock



### Features

- Suitable for most metal casement windows
- Operates independently of the handle
- Flush rebate prevents lock being prised from the frame
- Supplied c/w fixing screws

### Associated Products

<b>Banham R102 Window Lock Key</b>	
10298	150mm To Suit R102
7661	75mm To Suit W106, W107 & W121
7662	120mm To Suit W106
7663	85mm To Suit R102
9804	To Suit W115

Product Code	Finish	Height	Length	Width	Mfr Ref.
4648	Chrome Plated	22mm	44mm	15mm	W115

## Bramah R2/01 Casement Window Lock



### Features

- Suitable for outward opening hinged windows
- Supplied c/w security screws
- Lock is secured and released by use of the key which turns a threaded socket screw into an insert located in the stile.

### Associated Products

<b>Bramah ROLA Window Lock Key</b>	
2204	R6/01 70mm
L12525	R6/02 70mm
L14693	R6/04

Product Code	Finish	Keyed	Keys Supplied	Mfr Ref.
9928	Polished Brass	KA	Separate	R2/01
2177	White	KA	Separate	R2/01

## Bramah R3/03 Window Lock



### Features

- Suitable for metal windows
- Simple to fit
- Uses R6/01 key (separate) 2204

### Associated Products

<b>Bramah ROLA Window Lock Key</b>	
2204	R6/01 70mm
L12525	R6/02 70mm
L14693	R6/04

Product Code	Finish	Height	Length	Width	Mfr Ref.
L12732	White	16mm	50.5mm	16mm	R3/03

## Bramah R3/04 Window Lock



### Features

- Simple to fit, uses R6/01 key (separate) 2204

Product Code	Finish	Mfr Ref.
L12733	White	R3/04

## ERA 820 Locking Casement Stay Pin



### Features

- For use with most casement stays
- Tamperproof locking nuts which prevents opening
- Key required to Lock and unlock
- Replaces the existing pegs with the security pin.
- Supplied c/w wedge plates for tapered frames & fixing screws

### Notes

2 Locks & 1 Key

### Overview

The ERA Staylock is suitable for most through-peg stays fitted to wooden casement windows.

Product Code	Finish	Depth	Height	Width	Mfr Ref.
676	Polished Brass	23mm	48mm	17mm	820-32
674	Satin Chrome	23mm	48mm	17mm	820-52

## ERA 829 Metlock Window Handle Lock



### Features

- No drilling or screws required
- Suitable for most types of cockspur handles
- Key required to Lock and unlock
- To be fitted to Metal type windows
- 2 bolts supplied and 1 key
- Lock body slides between window handle forks, the key is used to tighten the steel locking pin against the window frame preventing movement of the handle.

### Overview

The ERA Metlock utilises a high tensile steel bolt to prevent the handle from moving.

Product Code	Finish	Body Diameter	Height	Length	Width	Mfr Ref.
689	White	13mm	28mm	28mm	13mm	829-12

## ERA 828 Window Catch Lock



### Features

- Replaces most through-peg stays fitted to wooden casement windows
- Also suitable for small doors
- Tamperproof locking nuts which prevents opening
- Window is pulled tight into the frame by threaded peg and locknut.
- Suitable for most types of windows and small doors
- Supplied c/w wedge plate for tapered frames & fixing screws

### Overview

The ERA Locking Window Catch is manufactured from steel and brass to hold the window tight against the frame.

Product Code	Finish	Depth	Height	Keyed	Width	Mfr Ref.
688	Satin Chrome	32mm	48mm	KA	17mm	828-52

## Ingersoll CM67K Window Lock - Metal



### Features

- Suitable for outward opening hinged metal windows
- Supplied c/w fixing screws
- The lock body is fitted to the frame, and the key is used to lock the bolt in position under the Cockscur, thus preventing movement.

### Notes

1 Lock & 1 Key

### Associated Products

**Ingersoll Window Lock Key**  
 L10087 To Suit 8CM67 & FM68  
 L21499 Old Style CM67

Product Code	Finish	Body Length	Body Width	Height	Length	Width	Mfr Ref.
L8076	White	50mm	15mm	18mm	50mm	15mm	CM67K

## Ingersoll FM68K Window Lock - Metal



### Features

- Suitable for metal fanlight windows
- Supplied c/w fixing screws

### Notes

1 Lock & 1 Key

### Associated Products

**Ingersoll Window Lock Key**  
 L10087 To Suit 8CM67 & FM68  
 L21499 Old Style CM67

Product Code	Finish	Body Width	Height	Length	Width	Mfr Ref.
L8078	White	15mm	18mm	44mm	15mm	FM68K

## YALE 8K100 Window Lock



### Features

- Suitable for hinged wooden and metal windows
- Supplied c/w fixing screws and strike for wooden frames
- Bolt is thrown by turn snib and released by key only.

### Associated Products

**ASEC Blank To Suit 8K100**  
 AS11092 8K100 COPY

**YALE 8K100 Key**  
 334 Key No. X1 (pair)  
 337 Key No. X3 (pair) (discontinued)  
 353 Key No. X12 (pair)  
 L21507 Key No. X1 (pair)  
 L21508 Key No. X3 (pair)  
 L21509 Key No. X12 (pair)

Product Code	Finish	Bolt Throw	Height	Length	Width	Mfr Ref.
277	White	9mm	22mm	70mm	20mm	8K100

YALE 8K118 Casement Window Lock - 4 Pack

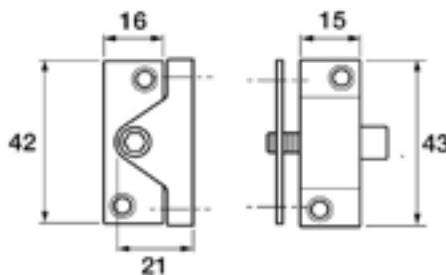


Features

- Suitable for outward opening hinged windows
- Supplied c/w fixing screws
- Lock is secured and released by use of the key which turns a socket screw into the strike plate fitted to the frame.
- 4 locks and 1 key

Associated Products

YALE 8K101 Key  
 395 Pair  
 L8037 Trade Pack (20)



Product Code	Finish	Height	Keyed	Width	Mfr Ref.
2278	Polished Brass	21mm	KA	15mm	8K118
2276	White	21mm	KA	15mm	8K118

YALE 8K109 Window Lock

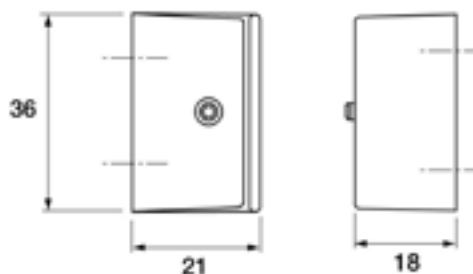


Features

- Suitable for outward opening hinged windows
- Supplied c/w wedge plate for tapered frames & fixing screws
- Lock is secured and released by use of the key which turns a socket screw into the lock plate fitted to the frame.
- 4 locks and 1 key

Associated Products

YALE 8K109 Key  
 2895 Pair



Product Code	Finish	Height	Keyed	Length	Width	Mfr Ref.
7987	White	21mm	KA	35mm	21mm	8K109

## ASEC Casement Hinge Protector



### Features

- Suitable for retro-fitting on-site to enhance hinge side security
- Available in versions suitable for 13mm and 17mm stack height friction stays

### Overview

The Asec Casement Hinge Protector is a secondary security device, to be used on the hinge side of casement windows.

Product Code	Finish	Depth	Height	Stack Height	Width
AS10662	Stainless Steel	12mm	70mm	13mm	20mm
AS10663	Stainless Steel	15mm	68mm	17mm	20mm

## ASEC WLMWH Window Lock - Metal



### Features

- Suitable for most casement and pivot metal windows
- Supplied c/w fixing screws
- Locked and unlocked by use of the key.
- 1 lock and 1 key

### Overview

Ideal additional security window lock suitable for top or side hung metal casement windows.

Product Code	Finish	Keyed
AS3416	White	KD



## ERA 901 Window Lock - Metal



### Features

- Suitable for most casement and pivot metal windows
- Key required to Lock and unlock
- Fixings screws included
- 100 key variations
- 1 lock and 1 key

### Overview

The ERA Metal Window Lock fits most metal windows including casement, side hung, pivot and top hung.

### Associated Products

ERA 682-56 Window Key To Suit 800 / 900  
L00070 682-56

Product Code	Finish	Depth	Keyed	Length	Width	Mfr Ref.
701	White	19mm	KD	63mm	26mm	901-12

## ERA 902 Flush Window Pivot Lock



### Features

- Suitable for most flush fitting casement, pivot and sliding windows
- Fixing screws are thief deterrent clutch head screws
- Key required to Lock and unlock
- Hardened steel hook bolt is deadlocked in a box striker
- 100 key variations
- 1 lock and 1 key

### Overview

The ERA Flush Pivot Lock is suitable for most wooden windows, including casement, side hung, pivot, top hung and sliding.

### Associated Products

ERA 682-56 Window Key To Suit 800 / 900  
L00070 682-56

Product Code	Finish	Depth	Keyed	Length	Width	Mfr Ref.
702	White	19mm	KD	63mm	26mm	902-12

## ASEC Securistay Window Restrictor - Metal



### Features

- Suitable for hinged and pivot windows
- Can only be disconnected when the window is closed
- Supplied c/w fixing screws
- Designed specifically with child safety in mind,
- Restricts window opening to 75mm and is unlocked by the special key provided.

### Overview

This restrictor is designed to limit the opening to 75mm which will allow ventilation with safety. The pack contains a selection of packers required to fit metal windows

Product Code	Finish	Notes
AS3410	White	Metal

## ASEC Securistay Window Restrictor - Wood



### Features

- Suitable for hinged and pivot windows
- Can only be disconnected when the window is closed
- Supplied c/w fixing screws
- Designed specifically with child safety in mind,
- Restricts window opening to 75mm and is unlocked by the special key provided.

### Overview

This restrictor is designed to limit the opening to 75mm which will allow ventilation with safety. The pack contains a selection of packers required to fit wood windows

Product Code	Finish	Notes
AS3409	Silver	Wood
AS3408	White	Wood

## ASEC Ventilation Window Restrictor



### Features

- Allows window to be opened for air flow but remains locked preventing entry through window
- Simple and easy to use with no key requirements
- Suitable for PVCU windows & doors.

### Overview

A multi purpose window restrictor that is non handed ideal for outward or inward windows. It is specially designed for Upvc and can be used on a Upvc door in the same way as door chain would.

Product Code	Finish
AS3415	White

## CHAMELEON Window Restrictor Cable



### Features

- Helps to prevent fatalities and injuries
- Suitable for all window types
- Perfect for home, public and commercial applications
- 150mm cable length
- Easy to install
- Key operated to ensure authorised access only to full window opening

### Overview

A device that is simple to fit and limits the distance a window can open unless a key holder removed the cable to allow the window to fully open. It is ideal for home & commercial safety and is suitable for use on most types of window.

### Associated Products

ASEC Key To Suit AS10001, AS10002, CH10001 & CH10002  
AS10856 Cut key

Product Code	Chain Length	Finish	Keys Supplied	Mfr Ref.	Pack Qty	Packaging
CH10001	150mm	White	1	CH10001	1	Bagged
CH10002	150mm	Brown	1	CH10002	1	Bagged

## EASYFIT Boa Restrictor - 13mm Stack Height



### Features

- 100mm initial opening restriction
- 2 handed Overview for safety
- Automatic re-engagement
- BS EN 14351 - Load bearing clause 4.8 safety device
- Suitable for use of fire egress applications
- Arm lengths to suit 60/70mm profile

### Overview

The Easyfit Boa Restrictor limits the window opening to 100mm which will allow ventilation with safety. With a stack height of 13mm and arm lengths to suit 60mm or 70mm profiles, this unit is also suitable for use on fire egress applications and is quick to install.

Product Code	Boxed Quantity	Finish	Mfr Ref.	Pack Qty	Stack Height
L24932	50	Zinc Plating & Trivalent Passivate	WB51135021	1	13mm
L24933	50	Zinc Plating & Trivalent Passivate	WB52135021	1	13mm

## EASYFIT Boa Restrictor - 17mm Stack Height

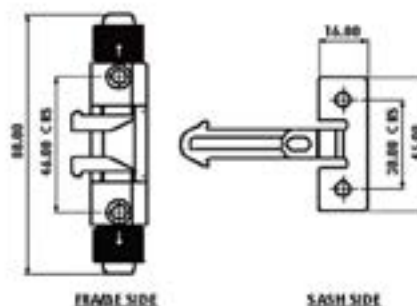
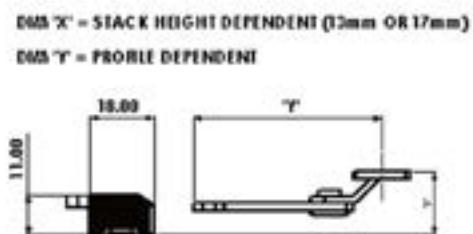


### Features

- 100mm initial opening restriction
- 2 handed Overview for safety
- Automatic re-engagement
- British standard exceeded
- Suitable for use of fire egress applications
- Arm lengths to suit 60/70mm profile

### Overview

The Easyfit Boa Restrictor limits the window opening to 100mm which will allow ventilation with safety. With a stack height of 17mm and arm lengths to suit 60mm or 70mm profiles, this unit is also suitable for use on fire egress applications and is quick to install.



Product Code	Finish	Mfr Ref.	Notes	Packaging	Stack Height
L24935	Zinc Plating & Trivalent Passivate	WB52175021	70mm frame	Visi	17mm
L24934	Zinc Plating & Trivalent Passivate	WB51175021	60mm frame	Visi	17mm

## ERA 812 Ventilation Window Restrictor



### Features

- The Ventilation lock is an excellent home safety device
- Allows window to be opened for air flow
- Remains locked preventing entry through window when open
- Simple and easy to use with no key requirements
- Can be used in the same way as a door chain if used on doors
- Will suit left or right hand doors

### Overview

The ERA Ventilation Lock has been designed especially for PVCu windows and doors.

Product Code	Finish	Handed	Mfr Ref.
L13736	White	Reversible	812-15

## ERA Safety Locking Restrictor



### Features

- Tested to 50,000 cycles
- Available in white, brown, polished gold and polished chrome
- Suitable for use with PVCu, timber and aluminium windows and doors
- Ergonomically designed for easy operation
- BS EN 16281: 2013, BS EN: 13126-1: 2011 and BS EN 1670:2007 compliant

### Overview

The ERA Safety Locking Restrictor is a simple to fit device that limits the distance a window or door can open. Ergonomically designed for easy operation, this product is suitable for domestic and commercial applications and is BS EN 16281: 2013 compliant. This unit comes supplied with two keys and the necessary fixings.

Product Code	Finish	Mfr Ref.
L24818	White	723-12
L24819	Brown	723-22
L24820	Polished Chrome	723-37-2
L24821	Polished Gold	723-73-2

## JACKLOC Lockable Cable Window Lock

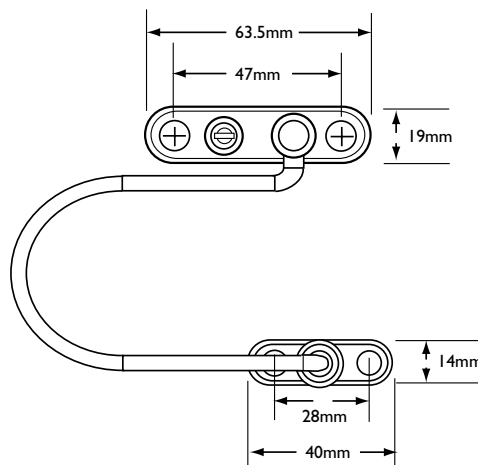


### Features

- Designed with Health and Safety in mind.
- Universal, can be fitted to every type of window & door opening.
- Suitable for wooden, UPVC, steel and aluminium materials.
- Standard cable length of 200mm.
- Fitted with a five disc locking barrel.
- Complies to BS EN 14351-1: 2006.
- 5 Pin

### Overview

The Jackloc cable window restrictors are very versatile and are perfect for home, public and commercial application. Fitted with a five disc locking barrel, they will enhance the security of any building and the safety of any persons within it. Jackloc cable window restrictors have been applied to many buildings including hotels, local authority buildings, care homes, hospitals, schools, universities and many more. Once fitted, the window restrictors cannot be removed, further increasing the safety, security and reliability of the system.



Product Code	Finish	Body Height	Body Length	Body Width	Chain Length
L21667	Brass	41mm	63.5mm	19mm	200mm
L21665	Brown	41mm	63.5mm	19mm	200mm
L21668	Chrome Plated	41mm	63.5mm	19mm	200mm
L21666	White	41mm	63.5mm	19mm	200mm
L24917	Chrome (clear sleeve)	41mm	63.5mm	19mm	200mm

## JACKLOC Permanent Swivel/Stud Window Restrictor



### Features

- Standard cable length 200mm
- Push and Turn release
- 4 security screws

### Overview

The Jackloc cable window restrictors are very versatile and are perfect for home, public and commercial application. Jackloc cable window restrictors will enhance the security of any building and the safety of any persons within it. They have been applied to many buildings including hotels, local authority buildings, care homes, hospitals, schools, universities and many more. Once fitted, the window restrictors cannot be removed, further increasing the safety, security and reliability of the system.

Product Code	Finish	Body Height	Body Length	Body Width	Chain Length
L22032	Brown	41mm	63.5mm	19mm	200mm
L22031	White	41mm	63.5mm	19mm	200mm

## JACKLOC Permanent Swivel/Stud Window Restrictor



### Features

- Permanent
- Standard cable length 200mm (tensile steel cable strength 1960N/mm<sup>2</sup>)
- Swivel and stud footplates
- 4 security clutch screws
- Suitable for all types of window material; wood, aluminium, UPVC and steel

### Overview

The Jackloc cable window restrictors are perfect for home, public and commercial application. Once fitted, the window restrictors cannot be removed, further increasing the safety, security and reliability of the system. This unit comes with all necessary fixings supplied.



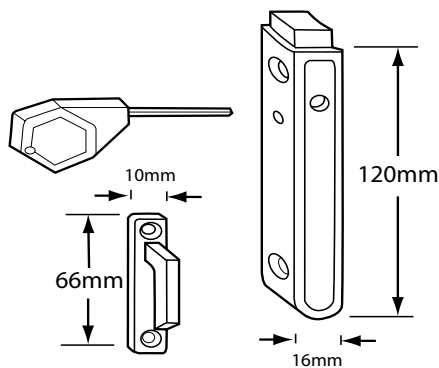
Product Code	Finish	Chain Length
L24902	White	200mm
L24903	Brown	200mm
L24904	Black	200mm

## MACO Multivent UPVC Window Restrictor



### Features

- For use on tilt and turn windows.
- Automatically engages.
- Limits in tilt mode.
- Lockable as standard.
- Adjustable friction.



Product Code	Finish	Mfr Ref.
L18592	White	N12360

## MILA Enhanced UPVC Window Restrictor Catch



### Features

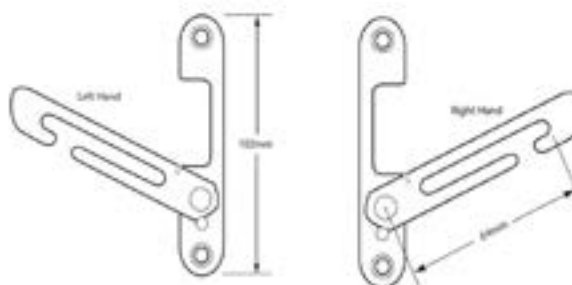
- Spring loaded restrictor to allow a 50mm air gap.
- Releasable arm if required.
- Studs sold separately for different stack heights.

### Overview

Spring loaded enhanced safety and security catch for outwards and inwards opening windows

### Associated Products

- MILA Enhanced UPVC Window Restrictor Stud**  
 L23461 Stud 11.5mm  
 L23462 Stud 14.5mm



Product Code	Finish	Handed	Mfr Ref.
L23460	Zinc Plated	Left Hand	ANG8313C
L23459	Zinc Plated	Right Hand	ANG8312C



## MILA Enhanced UPVC Window Restrictor Stud



### Features

- Studs sold separately for different stack heights.
- Releasable arm if required.

### Overview

Studs to suit the enhanced spring loaded window restrictor.

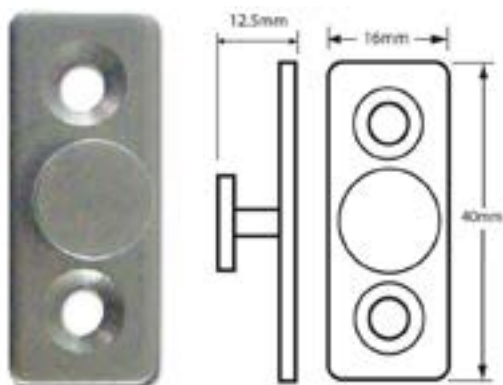
### Associated Products

#### MILA Enhanced UPVC Window Restrictor Catch

L23459 50mm - RH  
L23460 50mm - LH

Product Code	Finish	Height	Mfr Ref.
L23461	Zinc Plated	11.5mm	ANG8314
L23462	Zinc Plated	14.5mm	ANG5211

## MILA Restrictor Catch Stud Plate



### Features

- Studs sold separately for different stack heights.
- Spring loaded window restrictor sold separately

### Overview

Studs to suit the standard spring loaded window restrictor.

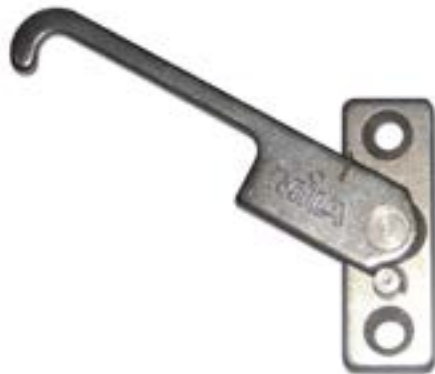
### Associated Products

#### MILA Standard UPVC Window Restrictor Catch

L18590 50mm - RH  
L18591 50mm - LH

Product Code	Finish	Height	Mfr Ref.
L18588	Zinc Plated	11.5mm	062053C
L18587	Zinc Plated	12.5mm	062054C

MILA Standard UPVC Window Restrictor Catch



Features

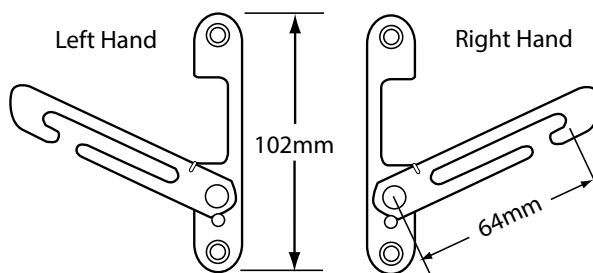
- Spring loaded restrictor to allow a 50mm air gap.
- Releasable arm if required.
- Studs sold separately for different stack heights.

Overview

Spring loaded standard enhanced safety and security catch for outwards and inwards opening windows

Associated Products

- MILA Restrictor Catch Stud Plate  
 L18587 Stud 12.5mm  
 L18588 Stud 11.5mm



Product Code	Finish	Handed	Mfr Ref.
L18591	Zinc Plated	Left Hand	062051C
L18590	Zinc Plated	Right Hand	062050C

PENKID WSR200 Ventilation Window Restrictor



Features

- Key lock & unlock
- 1 Key
- Standard cable length of 200mm.

Product Code	Finish	Packaging
L17737	White	Boxed

## Secondary Security - Restrictor

## ROTO 5ROT0086 Tilting Window Restrictor &amp; Plate



### Features

- Complete with handle plate & fixing screws
- To suit tilting windows
- Restricts tilt angle in 4 positions

### Overview

This window restrictor by Roto is designed for use with tilting windows, it can restrict windows on which it is fitted in 4 different positions (or tilt angles) and is supplied complete with handle plate & 4 screws.



Product Code	Finish	Mfr Ref.	Material	Suits Product
L24293	White	5ROT0086	Plastic	Tilting windows

## WINKHAUS Window Safety Catch Restrictor OBV



### Features

- OBV Safety Catch
- Prevents window from slamming shut
- Optimum child security.
- The OBV locking bar can be released for full opening of the sash by keeping the push button depressed
- Restricts the opening distance in the turn position to 50mm if mounted on the lock side, when mounted horizontally variable opening distances can be achieved

### Overview

The Winkhaus OBV Safety Catch is one of the family of Window restrictors which are designed to help prevent children opening windows fully and falling out, and windows from slamming shut. The OBV locking bar can be released for full opening of the sash by keeping the push button depressed.. The safety catch automatically restricts window opening regardless of the sequence of Overview, and locks automatically. When the window is closed from the turn position, the limit opening function re-engages. This product is maintenance friendly as the frame section is adjustable within a range of 3mm.



Product Code	Finish	Notes	Mfr Ref.
L21671	White	Locking	4929278
L21670	White	Non-Locking	4929276

## YALE 117 Ventilation Window Lock



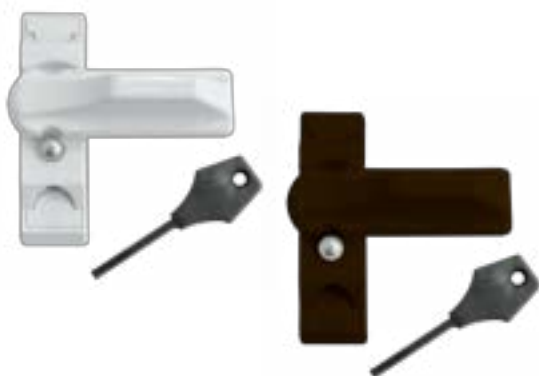
### Features

- Suitable for timber windows
- Surface fixed lock that offers restricted opening and locking in position to allow ventilation
- 1 lock & 1 key
- 2 Year Guarantee

Product Code	Finish	Mfr Ref.	Packaging
9930	White	P117	Visi



## ASEC Sash Stopper



### Features

- Complete with spacers for different profiles
- Face fix additional security device for UPVC windows and doors
- Locking and non lock versions.
- White or brown options.

### Overview

Designed as an extra reinforcement against forced entry or as an overnight solution if the main locks need replacing.

Product Code	Finish	Type	Depth	Length
AS3387	Brown	Locking	20mm	70mm
AS3388	Brown	Non Locking	20mm	70mm
AS10553	Brown	Non Locking - Contract	20mm	66mm
AS3389	White	Locking	20mm	70mm
AS3391	White	Non Locking	20mm	70mm
AS11383	White	Non Locking - Contract	20mm	66mm

## ASEC Sash Window Stop



### Features

- Suitable for sliding sash windows
- Can be locked closed or in open position for ventilation
- Threaded stop is screwed into an insert located in the top sash by use of the key, thus preventing windows passing each other.

### Overview

A simple to fit device that limits the distance a window can open, ideal for home & commercial safety.

### Associated Products

[ASEC Sash Stop Window Key](#)  
AS5024 Sash Stop Key

Product Code	Finish	Diameter	Keyed	Notes
AS5023	Chrome Plated	25mm	KA	Pair
AS5022	Chrome Plated	25mm	KA	Single
AS5021	Polished Brass	25mm	KA	Pair
AS5020	Polished Brass	25mm	KA	Single
AS5026	Satin Chrome	25mm	KA	Pair
AS5025	Satin Chrome	25mm	KA	Single
AS10440	White	25mm	KA	Pair

## Banham W107 Sash Window Lock



### Features

- Suitable for sliding sash windows
- 3 slot keep plate allows window to be locked closed or in either of 2 open positions for ventilation
- Supplied c/w fixing screws
- The lock body is fixed to the meeting rail of the bottom sash and is operated by the key, which propels the bolt into the slotted keep plate fitted to the top sash.

### Associated Products

**BANHAM W107 Old Triangular Key**  
L10369 W107

**Banham R102 Window Lock Key**  
10298 150mm To Suit R102  
7661 75mm To Suit W106, W107 & W121  
7662 120mm To Suit W106  
7663 85mm To Suit R102  
9804 To Suit W115

Product Code	Finish	Depth	Height	Keyed	Width	Mfr Ref.
7648	Polished Brass	38mm	30mm	KA	60mm	W107

## Banham W121 Sash Window Stop



### Features

- Suitable for sliding sash windows
- Can be locked closed or in open position for ventilation
- Threaded stop is screwed into an insert located in the top sash by use of the key, thus preventing windows passing each other.

### Associated Products

**Banham R102 Window Lock Key**  
10298 150mm To Suit R102  
7661 75mm To Suit W106, W107 & W121  
7662 120mm To Suit W106  
7663 85mm To Suit R102  
9804 To Suit W115

Product Code	Finish	Keyed	Length	Width	Pack Qty
4652	Polished Brass	KA	20mm	12mm	1 Lock & 2 Inserts

## Bramah R1 ROLA Retractable Sash Window Stop



### Features

- Suitable for sliding sash windows
- Can be locked closed or in open position for ventilation  
14mm projection

### Associated Products

#### Bramah ROLA Window Lock Key

2204	R6/01 70mm
L12525	R6/02 70mm
L14693	R6/04

Product Code	Finish	Height	Width	Mfr Ref.
L12452	Polished Brass	40mm	16mm	R1/06
L12451	White	40mm	16mm	R1/06

## Bramah R1 ROLA Sash Window Stop



### Features

- Suitable for sliding sash windows
- Can be locked closed or in open position for ventilation
- Threaded stop is screwed into an insert located in the top sash by use of the key, thus preventing windows passing each other.

### Associated Products

#### Bramah ROLA Window Lock Key

2204	R6/01 70mm
L12525	R6/02 70mm
L14693	R6/04



Product Code	Diameter	Finish	Length	Width	Pack Qty	Mfr Ref.
2183	19mm x 16mm	Nickel Plated	19mm	16mm	2 Locks & 2 Inserts (Visi)	R1/01
9929	19mm x 16mm	Polished Brass	19mm	16mm	2 Locks & 2 Inserts (Visi)	R1/01
L17365	19mm x 16mm	Polished Brass	19mm	16mm	1 Lock & 1 Insert (Bagged)	R1/02
L5874	19mm x 16mm	Polished Brass	19mm	16mm	1 Lock & 1 Insert (Visi)	R1/03
L4431	31mm x 16mm	Polished Brass	31mm	16mm	2 Locks & 2 Inserts (Visi)	R1/04
L17366	31mm x 16mm	Polished Brass	31mm	16mm	1 Lock & 1 Insert (Bagged)	R1/05

## Bramah R3/01 Window Lock



### Features

- Suitable for most metal window frames
- Locking is by means of a threaded bolt screwed in to clamp window and frame together.
- Secured and released by use of the key.

### Associated Products

#### Bramah ROLA Window Lock Key

2204	R6/01 70mm
L12525	R6/02 70mm
L14693	R6/04

Product Code	Finish	Diameter	Height	Width	Keyed	Mfr Ref.
2189	Satin Chrome	15mm	15mm	14mm	KA	R3/01

## Bramah R3/02 Window Lock



### Features

- Suitable for most metal window frames
- Locking is by means of a threaded bolt screwed in to clamp window and frame together.
- Secured and released by use of the key.

Product Code	Finish	Keyed	Mfr Ref.	Packaging	Width
L14694	Satin Chrome	KA	R3/02	Bagged	15mm

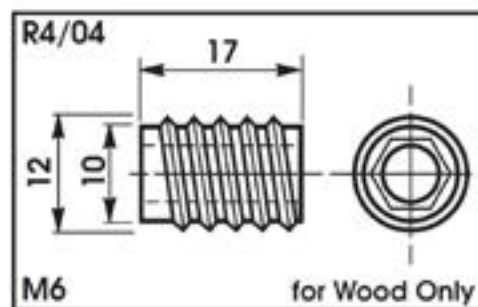


## Bramah R4 Window Fastener



## Features

- The threads are installed using the uniquely designed Rola Key
- Ideal for use with Removable Grille and Access Panel Locks



Product Code	Finish	Notes	Pack Qty	Mfr Ref.
L14691	Satin Chrome	Screw	2 Locks	R4/01
L12734	Satin Chrome	Threaded Insert	10	R4/04
L14692	Off White	M6 Thread	10	R4/06
L14695	Off White	M5 Thread	10	R4/08

## ERA 822 Sash Window Stop



## Features

- Suitable for sliding sash windows
- Steel construction
- Secures the window in the closed position
- Key only required to unlock
- It can secure the window partially closed to allow ventilation

## Overview

The ERA Sashlock is suitable for most sash windows.

Product Code	Finish	Faceplate Height	Faceplate Width	Keyed	Length	Notes	Mfr Ref.
L7985	Polished Brass	51mm	17mm	KA	51mm	2 Locks & 1 Key	822-32
L16585	Satin Chrome	51mm	17mm	KA	51mm	Trade Pack (50)	822-56
678	Satin Chrome	51mm	17mm	KA	51mm	2 Locks & 1 Key	822-52

ERA 816 Sash Stopper



Features

- Simple to operate and easy to fit
- Suitable for doors or windows
- Lock can be used on it's own or with a key lock to secure the arm in place when the window is closed
- Extra security for doors & windows
- Snap locked & key to open
- Can also be used to keep letterboxes closed when on holiday

Overview

The ERA Sash Stopper has been designed especially for PVCu windows and doors.

Associated Products

ERA 817 Sash Stopper Locking Attachment To Suit Era 816

L14298 WH  
L14300 BRN

ERA 816 Sash Stopper

L14299 WH  
L14301 BRN

Product Code	Finish	Length	Width	Mfr Ref.
L14301	Brown	76mm	20mm	816-25
L14299	White	76mm	20mm	816-15

ERA 817 Sash Stopper Locking Attachment To Suit Era 816



Features

- Optional locking devise with key secures the arm in place when the window is closed
- Locking device is ideal for added security when the home is left unoccupied

Overview

The ERA Sash Stopper has been designed especially for PVCu windows and doors.

Associated Products

ERA 816 Sash Stopper

L14299 WH  
L14301 BRN

Product Code	Finish	Keyed	Mfr Ref.
L14298	White	KA	817-15

## ERA 830 &amp; 832 Sash Stopper



### Features

- Simple to operate and easy to fit
- Suitable for UPVC windows or doors, inward or outward opening.
- Arm simply snaps into the locked position
- Extra security for windows with 100 key variations
- Can also be used to keep letterboxes closed when on holiday

### Overview

The ERA PVCu Snaplock increase the security on PVCu windows and doors, supplementing the locking devices that are in place already.

Product Code	Finish	Height	Keyed	Length	Width	Packaging	Mfr Ref.
L15201	Brown	73mm	KD	73mm	25mm	Carded	832-22
L24657	White	73mm	KD	73mm	25mm	Bagged	832-15
L15202	White	73mm	KD	73mm	25mm	Carded	832-12
L24656	White	73mm	Keyless	73mm	25mm	Bagged	830-15

## Fab And Fix Q920FF Sash Jammer



### Features

- Face fix additional security device for UPVC windows and doors.
- Suitable for inward or outward opening windows or doors.

### Associated Products

#### Fab And Fix Q920FF Sash Jammer

L11679 WH Non Locking  
L11680 WH Locking

Product Code	Finish	Keyed	Notes	Mfr Ref.
L11680	White	KA	Locking	Q920FF
L11679	White	KA	Non-Locking	Q920FFWL

FRISCO A1 Sash Fastener



Features

- Suitable for timber windows
- Face fixing

Product Code	Finish	Length	Mfr Ref.
2113	Electro Brass	50.8mm	A1
7268	Zinc Plated	50.8mm	A1

FRISCO No. 1 Sash Fastener



Features

- Suitable for timber windows
- Face fixing

Product Code	Finish	Length	Mfr Ref.
2107	Electro Brass	65mm	No1
7269	Zinc Plated	65mm	No1

Ingersoll SW66 Sash Window Stop



Features

- Suitable for sliding sash windows
- Supplied c/w fixing screws
- Secures the window in the closed, or slightly open position for ventilation, by preventing it sliding past the stop.
- Stop is engaged and released by use of the key only.

Product Code	Finish	Height	Keyed	Notes	Width	Mfr Ref.
L8080	White	40mm	KA	1 Lock & 1 Key	20mm	SW66

## SAMUEL HEATH P268-A Sash Window Stop

SAMUEL HEATH  
ESTD 1858

## Features

- For sliding sash windows.
- Secures the window in the locked position.
- Stop is on a chain for safe keeping.

Product Code	Finish	Mfr Ref.
8981	Satin Brass	P268-A

## YALE 8K108 Sash Window Lock

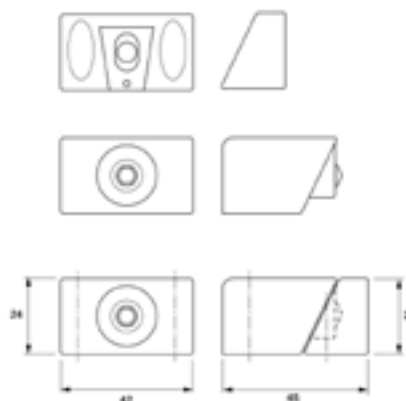


## Features

- Suitable for sliding sash windows
- Supplied c/w fixing screws
- Lock is secured and released by use of the key.

## Associated Products

YALE 8K108 Key  
7986 Pair



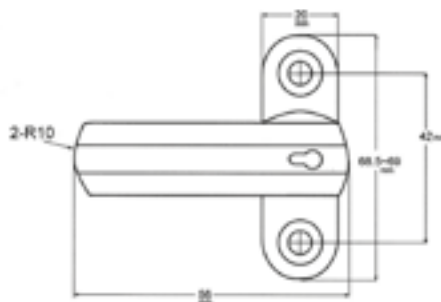
Product Code	Finish	Length	Width	Keyed	Pack Qty	Mfr Ref.
7985	White	45mm	23mm	KA	2 Locks & 1 Key	8K108

YALE 8K103 Sash Stopper



Features

- Surface fix for UPVC windows
- Key required to Lock and unlock



Product Code	Finish	Height	Keyed	Keys Supplied	Width	Mfr Ref.
L14852	White	69mm	KA	2	20mm	8K103WE

YALE WS1 Sash Window Stop



Features

- Suitable for sliding sash windows
- Supplied c/w fixing screws

Associated Products

YALE WS1 Key  
432 Pair



Product Code	Finish	Faceplate Height	Faceplate Width	Keyed
429	Polished Brass	48mm	21mm	KA

## ASEC Automatic Metal Window Snap Lock



### Features

- Suitable for outward opening hinged metal windows
- Supplied c/w fixing screws
- Automatically snaplocks when window is closed.
- Released by use of the key.

### Overview

Designed to fit onto metal frame windows, the lock fits to the frame and the strike to the window allowing the lock to snap shut on closing.

Product Code	Finish	Keyed	Keys Supplied
AS3413	White	KD	1

## ASEC Automatic Window Snap Lock



### Features

- Suitable for outward opening hinged metal windows
- Supplied c/w fixing screws
- Automatically snaplocks when window is closed.
- Released by use of the key.

### Overview

Designed to fit onto timber frame windows, the lock fits to the frame and the strike to the window allowing the lock to snap shut on closing.

Product Code	Finish	Keyed	Notes
AS3412	White	KD	Cut Key
AS3411	White	KD	Standard Key

## ERA 801 & 802 Automatic Window Snap Lock



### Features

- Automatically snaplocks when window is closed, released by use of the key.
- Suitable for outward opening hinged windows.
- Supplied c/w wedge plate for tapered frames & fixing screws.
- Plugs conceal and protect the fixing screws.
- Interior use only
- The mechanism is designed to allow any subsequent movement of the window frame.

### Overview

The ERA Snaplock can be used on most types of windows, including casement, side hung or top hung.

### Associated Products

#### ERA Window Lock Key

- 3088 To Suit 801/2/3/4, 853 & 854
- 696 To Suit 837 & 838
- L9493 To Suit 809 & 903

#### ERA 682-56 Window Key Blank To Suit 800 / 900

- L00070 682-56



Product Code	Finish	Depth	Height	Keyed	Notes	Width	Mfr Ref.
L00065	Brown	37mm	63mm	KD	Cut Key - 1 Lock	17mm	802-22
657	Brown	37mm	63mm	KA	Standard Key - 1 Lock	17mm	801-22
L5304	Brown	37mm	63mm	KA	Standard Key - 4 Locks	17mm	801-23
8120	Polished Brass	37mm	63mm	KD	Cut Key - 1 Lock	17mm	302-32
L14511	Polished Brass	37mm	63mm	KA	Standard Key - 1 Lock	17mm	801-32
8121	White	37mm	63mm	KD	Cut Key - 1 Lock	17mm	802-12
L24655	White	37mm	63mm	KA	Standard Key - 1 Lock	17mm	801-15
654	White	37mm	63mm	KA	Standard Key - 1 Lock	17mm	801-12



## Secondary Security - Snap Lock

### ERA 904 Automatic Window Snap Lock



#### Features

- Suitable for outward opening hinged metal windows.
- Automatically snaplocks when window is closed, released by use of the key.
- Fixing screws are concealed with plastic plugs
- 100 key variations
- Supplied c/w fixing screws

#### Overview

The ERA Metal Snaplock fits most metal windows including casement, side hung, pivot and top hung.

#### Associated Products

ERA 682-56 Window Key Blank To Suit 800 / 900  
L00070 682-56

Product Code	Finish	Depth	Height	Keyed	Width	Mfr Ref.
L305	White	39mm	50mm	KD	35mm	904-12

### YALE 118 Automatic Window Snap Lock



#### Features

- Suitable for outward opening hinged windows
- Supplied c/w wedge plate for tapered frames & fixing screws
- Automatically snaplocks when window is closed, released by use of key

Product Code	Finish	Depth	Height	Keyed	Notes	Width	Mfr Ref.
L885	White	37mm	63mm	KA	1 Lock & 1 Key	17mm	P118

## YALE 8K120 Automatic Window Snap Lock



### Features

- Suitable for outward opening hinged windows
- Supplied c/w wedge plate for tapered frames & fixing screws
- Automatically snaplocks when window is closed, released by use of key

### Associated Products

YALE 8K120 Key  
L5310 Pair

Product Code	Finish	Depth	Height	Width	Keyed	Notes	Mfr Ref.
L374	White	27mm	38mm	20mm	KA	1 Lock & 1 Key	8K120

## ASEC Window Swing Lock



### Features

- Suitable for most outward opening hinged windows
- Supplied c/w fixing screws
- Lock pivots to latch and is secured or released by use of the key.

### Overview

Ideal additional security window lock suitable for top or side hung wooden casement windows.

Product Code	Finish	Keyed	Notes
AS3414	White	KA	1 Lock & 1 Key

## ERA 809 Window Swing Lock



### Features

- Lock pivots to latch when the window is closed
- Fixings are concealed when in the locked position
- Locking action pulls the window tight into the frame
- Suitable for most outward opening hinged windows
- Helps to reduce drafts
- Supplied c/w fixing screws

### Overview

The ERA Swing lock is suitable for most casement wooden windows.

### Associated Products

#### ERA Window Lock Key

3088	To Suit 801/2/3/4, 853 & 854
696	To Suit 837 & 838
L9493	To Suit 809 & 903

Product Code	Finish	Depth	Height	Width	Keyed	Notes	Mfr Ref.
L00058	White	23mm	53mm	13mm	KA	1 Lock & 1 Key	809-12

## ERA 903 Window Swing Lock



### Features

- Lock pivots to latch when the window is closed
- Fixings are concealed when in the locked position
- Locking action pulls the window tight into the frame
- Suitable for most outward opening hinged windows
- Helps to reduce drafts
- Supplied c/w fixing screws

### Overview

The ERA Metal Swing lock is suitable for most casement metal windows.

### Associated Products

#### ERA Window Lock Key

3088	To Suit 801/2/3/4, 853 & 854
696	To Suit 837 & 838
L9493	To Suit 809 & 903

Product Code	Finish	Depth	Height	Width	Keyed	Mfr Ref.
L00059	White	23mm	53mm	13mm	KA	903-12

## YALE 8K101 Window Swing Lock



### Features

- Particularly suitable for outward opening hinged windows with narrow frames
- Supplied c/w fixing screws
- Lock is secured and released by use of the key.

### Associated Products

YALE 8K101 Key  
 395 Pair  
 L8037 Trade Pack (20)

Product Code	Finish	Height	Width	Keyed	Keys Supplied	Notes	Mfr Ref.
8944	Brown	52mm	12mm	KA	1	4 Locks & 1 Key	8K101
L112	Polished Brass	52mm	12mm	KA	1	4 Locks & 1 Key	8K101
L5575	White	52mm	12mm	KA	1	1 Lock & 1 Key	8K101
7794	White	52mm	12mm	KA	1	4 Locks & 1 Key	8K101
9646	White	52mm	12mm	KA	0	Trade Pack (50)	8K101

## YALE 8K106 Window Swing Lock

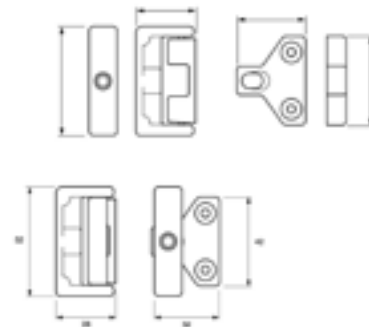


### Features

- Suitable for outward opening hinged metal windows
- Supplied c/w fixing screws
- Lock is secured and released by use of the key.

### Associated Products

YALE 8K101 Key  
 395 Pair  
 L8037 Trade Pack (20)



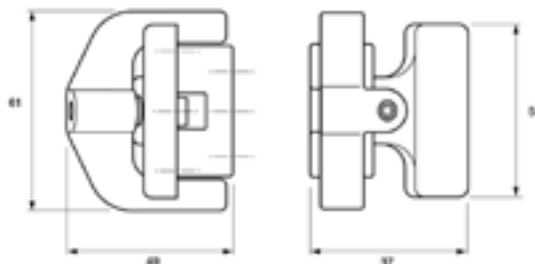
Product Code	Finish	Depth	Height	Width	Keyed	Notes	Mfr Ref.
413	White	29mm	52mm	12mm	KA	2 Locks & 1 Key	8K106
L7033	White	29mm	52mm	12mm	KA	Trade Pack (20)	8K106

## YALE 8K123 Window Swing Lock



### Features

- For UPVC windows
- Fixing onto the window section, which is locked around the frame fixed staple by use of key.



Product Code	Finish	Height	Keyed	Notes	Width	Mfr Ref.
L6070	White	61mm	KA	1 Lock & 1 Key	49mm	8K123
L6072	White	61mm	KA	20 Lock & 4 Drills	49mm	8K1230101TP

## ERA 825 Transom Window Lock



### Features

- Fully removable to allow window opening
- Clamps the window stay to the fixed peg on metal transom.
- Lock is secured and released by use of the key.

### Overview

The ERA Transom Lock clamps the window stay to the fixed peg on the metal transom windows.

Product Code	Depth	Finish	Height	Keyed	Mfr Ref.	Notes	Width
684	26mm	White	39mm	KA	825-12	1 Lock & 1 Key	32mm

## YALE 121 Transom Window Lock



### Features

- Suitable for metal fanlight windows
- Fully removable to allow window opening
- Clamps the window stay to the fixed peg on metal transom.
- Lock is secured and released by use of the key.

Product Code	Depth	Finish	Height	Keyed	Mfr Ref.	Notes	Width
L6943	25mm	White	40mm	KA	P121	1 Lock & 1 Key	27mm

## ASEC Adjustable Window Bar

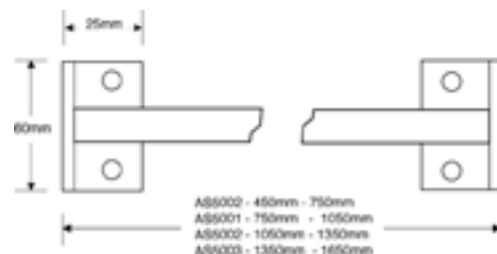


### Features

- 19mm diameter outer bar.
- 14.5mm solid inner bar.

### Overview

Ideal for securing first floor vulnerable windows



Product Code	Finish	Length	Width
AS5002	White	1050mm to 1350mm	19mm
AS5003	White	1350mm to 1650mm	19mm
AS5000	White	450mm to 750mm	19mm
AS5001	White	750mm to 1050mm	19mm



## UPVC Retrofit made easy

adaptable  
**Friction**

adaptable  
**Cockspur**

adaptable  
**Espag**

adaptable  
**Drive**

adaptable  
**MPL**

adaptable  
**Handle**

adaptable  
**Window**

adaptable  
**Accessories**

adaptable  
**Shootbolt**

adaptable  
**Restrictor**

“Wouldn't it be great to have one product that can adapt to suit its surroundings”

This range has been carefully hand-picked with the retrofit replacement market in mind. With hundreds of different UPVC doors and windows being fitted to customer's homes, chameleon® adaptable hardware means you only need to stock a handful of products which will help you save time and money.

We have created a solution to take the headache out of sourcing the right parts for the UPVC market. chameleon® gives you everything you need, all in one place.

[www.chameleonhardware.co.uk](http://www.chameleonhardware.co.uk)

» Window

# Ventilation

---

Ventilation **668 - 669**



## Titon Trimvent Select C13 Canopy



### Features

- Canopy to suit Trimvent Select S13 Ventilator
- Available in white and brown
- Screw fixing

### Overview

The Titon Trimvent Select C13 Canopy is to suit the Titon Trimvent Select S13 surface mounted screw-fix plastic slot ventilator.

### Notes

Recommended screws: No.6 Pan Head or equivalent

Product Code	Finish	Length	Mfr Ref.	Projection	Width
L24939	White	412mm	C13 412 -392	24mm	17mm
L24940	Brown	412mm	C13 412 -315	24mm	17mm

## Titon Trimvent Select S13 Ventilator



### Features

- For use over 13mm slot
- For use on UPVC, timber or aluminium windows
- Deflects air up/down or both
- Sculpted finger recess
- Rounded unobtrusive shape
- Can be fitted on the sash, frame or overhead section
- PBTP (UV Stable) & POM

### Overview

The Titon Trimvent Select S13 is a surface mounted screw-fix plastic slot ventilator that fits over a 13mm slot in a window and is suitable for use on UPVC, timber or aluminium windows.

Product Code	Finish	Length	Mfr Ref.	Projection	Standards	Width
L24937	White	411mm	S13 2700EA -392	20mm (closed) - 26mm (open)	BS EN 13141-1:2004	18.5mm
L24938	Brown	411mm	S13 2700EA -315	20mm (closed) - 26mm (open)	BS EN 13141-1:2004	18.5mm

## GLAZPART 236mm Trickle Vent



### Features

- Superior air flow with reduced vent size
- Can be used on PVCu, aluminium and timber windows
- Meets the requirements of Building Regulations Approved Document F1
- External canopy and internal opening flap
- Reduces draughts by directing air away from occupants without reducing the air flow
- Versatile inner flap allows air to be directed up or downwards

### Overview

Available in 7 colour options, the GLAZPART 236MM Trickle Vent is a compact and stylish ventilation solution. Featuring rounded ends which allow the vent to be rebated into timber frames, and inner flap allowing air to be directed either up or downwards, this screw-in product is suitable for PVCu, timber and aluminium window frames.

Product Code	Finish	Width	Mfr Ref.
L27033	White	236mm	5GPV0126
L27034	Brown	236mm	5GPV0127
L27035	Tan	236mm	5GPV0128
L27036	Cream	236mm	5GPV0130
L27037	Slate Grey	236mm	5GPV0131
L27038	Anthracite Grey	236mm	5GPV0132
L27039	Chartwell Green	236mm	5GPV0133



## Adaptable Window Blade /Fork Drive Handle

Features a unique design which allows for an interchangeable fork or flat plate fitting.

- Handle can be locked with the key in either the top or bottom positions
- Supplied with 2 keys & 2 fixing bolts
- Interchangeable fixing position



» Window

# Window Keys

---

CHAMELEON	<b>672</b>
ASEC	<b>672 - 682</b>
BANHAM	<b>683</b>
BRAMAH	<b>683</b>
EASYFIT	<b>684</b>
ERA	<b>684</b>
INGERSOLL	<b>685</b>
YALE	<b>685 - 688</b>

### CHAMELEON Espag Window Key



#### Features

- Cut key to suit Chameleon espag handles
- Suits EasyFit Handles also

#### Overview

This cut cylinder key is to suit the Chameleon range of Espag handles.

Product Code
CH18408

### ASEC 50/08 Window Key To Suit Boulton & Paul



#### Features

- To suit Boulton & Paul
- Window Key

#### Overview

Window Espag key to suit Boulton & Paul Handles

Product Code
AS9901

### ASEC 50/12 Window Key To Suit WMS



#### Features

- To suit WMS
- Window Key

#### Overview

Window Espag long key to suit WMS/Avocet Handles

Product Code
AS9902

## ASEC 50/20 Window Key To Suit WMS



### Features

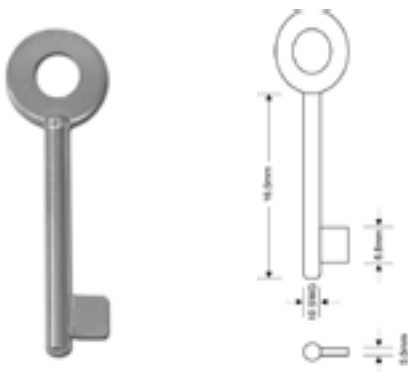
- To suit WMS
- Window Key

### Overview

Window Espag Medium key to suit WMS/Avocet Handles

Product Code
AS9903

## ASEC Blank To Suit 8K100



### Features

- Mortice Key Blank
- To suit 8K100

### Overview

Blank to suit 8K100 and 8012 window locks

Product Code	Suits Product
AS11092	Cabinet

## ASEC COT1 Window Key To Suit Cotswold



### Features

- To suit Cotswold
- Window Key

### Overview

Designed for the Cotswold economy Espag Handle

Product Code
AS9897

## ASEC COT2 Window Key To Suit Cotswold



### Features

- To suit Cotswold
- Window Key

### Overview

Designed for the Cotswold Espag Handle

Product Code
AS9896

## ASEC COT3 Window Key To Suit Cotswold



### Features

- To suit Cotswold
- Window Key

### Overview

Designed for the Cotswold Espag Handle

Product Code
AS9895

## ASEC K22 Window Key To Suit Shaw/Strebor



### Features

- To suit Shaw/Strebor
- Window Key

### Overview

Replacement key for Shaw / Strebor window handles

Product Code
AS9898

## ASEC SY100 Window Key To Suit Strebor



### Features

- To suit Strebor
- Window Key

### Overview

Cut window key to suit Strebor Espag handles

#### Product Code

AS9900

## ASEC TS7250 Window Key To Suit Strebor



### Features

- To suit Strebor
- Window Key

### Overview

Cut window key to suit Strebor Espag handles

#### Product Code

AS9904

## ASEC TS7251 Window Key To Suit Securistyle



### Features

- To suit Securistyle
- Window Key

### Overview

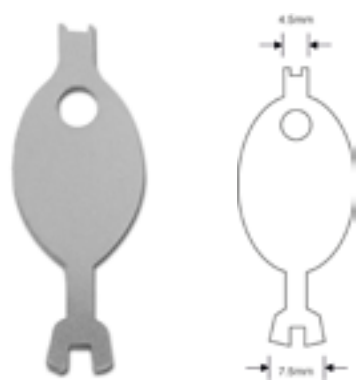
Cut window key to suit Securistyle Espag handles

#### Product Code

AS9905



### ASEC TS7259 Emergency Light Test Key



#### Features

- Emergency Light Test Key

#### Overview

Double ended test key with two styles of two pronged heads. Also known as a fish key

Product Code
AS9931

### ASEC TS7279 Era Flat Window Key



#### Features

- To suit Era
- Window Key

#### Overview

Old style Era stay lock key

Product Code
AS9930

### ASEC TS7279 Winlock Window Key



#### Features

- To suit Winlock
- Window Key

#### Overview

Cut window key to suit Winlock Espag handles

Product Code
AS9929

## ASEC TS7409 Froma Window Key



### Features

- To suit WMS
- Window Key

### Overview

Cut window key to suit Froma Espag handles

#### Product Code

AS9928

## ASEC TS7451 White Plastic Head Avocet WMS Window Key



### Features

- To suit WMS
- Window Key

### Overview

Avocet / WMS allen type window key

#### Product Code

AS9927

## ASEC TS7452 Die cast Diamond Shape Window Key



### Features

- Diamond shape
- Window Key

### Overview

Cut key to suit the Copydex window lock

#### Product Code

AS9933

## ASEC TS7477 Laird Window Key



### Features

- To suit Laird
- Window Key

### Overview

Cut window key to suit Laird Group Espag handles

Product Code
AS9932

## ASEC TS7517 Securistyle Virage Window Key



### Features

- To suit Securistyle Virage
- Window Key

### Overview

Cut window key to suit Securistyle Virage Espag handles

Product Code
AS9926

## ASEC TS7534 Hoppe Window Key



### Features

- To suit Hoppe
- Window Key

### Overview

Cut window key to suit Hoppe Espag handles

Product Code
AS9925

## ASEC TS7535 Basta (Triangular Hole In Bow) Window Key



### Features

- To suit Basta
- Window Key

### Overview

Cut window key to suit Basta Parsons Espag handles

#### Product Code

AS9924

## ASEC TS7536 Mila Window Key



### Features

- To suit Mila
- Window Key

### Overview

Cut window key to suit Mila Espag handles

#### Product Code

AS9923

## ASEC TS7537 Shaw Window Key



### Features

- To suit Shaw
- Window Key

### Overview

Cut window key to suit Shaw Casement handles

#### Product Code

AS9922

## ASEC TS7538 Saracen Window Key



### Features

---

- To suit Saracen
- Window Key

### Overview

---

Cut window key to suit Saracen Espag handles

Product Code

AS9921

## ASEC TS7539 Premier Window Key



### Features

---

- To suit Premier
- Window Key

### Overview

---

Cut window key to suit Premier Espag handles

Product Code

AS9920

## ASEC TS7540 Strebor Window Key



### Features

---

- To suit Strebor
- Window Key

### Overview

---

Cut window key to suit Strebor Espag handles

Product Code

AS9919

## ASEC TS7541 WMS Window Key



### Features

- To suit WMS
- Window Key

### Overview

Cut window key to suit WMS / Avocet Espag handles

Product Code

AS9918

## ASEC TS7542 Fab N Fix Window Key



### Features

- To suit Fab N Fix
- Window Key

### Overview

Cut window key to suit Fab & Fix Espag handles

Product Code

AS9917

## ASEC TS7543 Fab N Fix Window Key



### Features

- To suit Fab N Fix
- Window Key

### Overview

Cut window key to suit Fab & Fix Espag handles

Product Code

AS9916

## ASEC TS7554 Small Avocet Window Key



### Features

- To suit Avocet
- Window Key

### Overview

Cut window key to suit WMS / Avocet Espag handles

#### Product Code

AS9915

## ASEC TS7555 Large Avocet Window Key



### Features

- To suit Avocet
- Window Key

### Overview

Cut window key to suit WMS / Avocet Espag handles

#### Product Code

AS9914

## ASEC WMS Window Key To Suit WMS



### Features

- To suit Asec WMS

### Overview

Cut window key "T" shape to suit WMS / Avocet Espag handles

#### Product Code

AS9899

## Banham R102 Window Lock Key



### Features

- A range of keys to suit Banham

Product Code	Length	Mfr Ref.	Suits Product
7662	120mm	R102 Long	W106
10298	150mm	R102 Long	R102
7661	75mm	R102 Long	W106, W107 & W121
7663	85mm	R102 Long	R102
9804	120mm	R102 Long	W106

## BANHAM W107 Old Triangular Key



### Features

- Genuine Banham Key

Product Code	Mfr Ref.
L10369	W107

## Bramah ROLA Window Lock Key



### Features

- Genuine Bramah Key

Product Code	Length	Mfr Ref.
2204	70mm	R6/01
L12525	70mm	R6/02
L14693	105mm	R6/04



## EASYFIT Espag Handle Window Key



### Features

---

- Genuine Easyfit Key Blank
- Window Key (Espag)

Product Code	Mfr Ref.
L18408	EHKEY

## ERA 682-56 Window Key To Suit 800 / 900



### Features

---

- Blanks can be cut to suit any ERA cut key window locks
- Can be cut to suit 100 differ variations
- Genuine Era Key Blank
- Material: Zinc Plated
- Window Key

### Overview

---

ERA 800/900 range of Window Lock blanks are available for a wide range of products.

Product Code	Mfr Ref.
L00070	682-56

## ERA Window Lock Key



### Associated Products

---

#### ERA Window Lock Key

- |       |                              |
|-------|------------------------------|
| 3088  | To Suit 801/2/3/4, 853 & 854 |
| 696   | To Suit 837 & 838            |
| L9493 | To Suit 809 & 903            |

Product Code	Mfr Ref.
3088	581-56
L9493	583-56
696	506-52

## Ingersoll Window Lock Key



### Features

- Allen key style head

Product Code	Mfr Ref.	Notes	Suits Product
L10087	WLK1A	3 x Keys	8CM67 & FM68

## YALE 8001 & 8002 Key



### Features

- Available in trade packs
- Available in various length

### Overview

To Suit 8001, 8002, 8004 & 8006

Product Code	Length	Mfr Ref.	Notes	Suits Product
269	114mm (Long)	8001K	1 x 114mm Key	8001, 8002, 8004, 8006
268	85mm (Standard)	8001K	2 x 85mm Keys	8001, 8002, 8004, 8006
L8035	85mm (Standard)	8001K	20 x 85mm Keys	8001, 8002, 8004, 8006

## YALE 8013 Key



### Features

- Genuine Yale key

### Overview

To Suit 8013 & 8K104

Product Code	Mfr Ref.	Suits Product
425	8013	8013 & 8K104

YALE 8K100 Key



Features

- Genuine Yale key
- Cut Keys
- Also fits the old Chubb 8K100 series

Overview

To Suit 8K100 & 8012

Product Code	Mfr Ref.	Notes	Suits Product
334	8K100	X1 Differ	8K100, 8012
353	8K100	X12 Differ	8K100, 8012
337	8K100	X3 Differ	8K100, 8012

YALE 8K101 Key



Features

- Plastic headed
- To suit Yale 8K101, 8K106, 8K118 & 8K123
- Genuine Yale product

Product Code	Mfr Ref.	Notes	Suits Product
L8037	8K101K	Trade Pack (20)	8K101, 8K106, 8K118 & 8K123

YALE 8K102 Key



Features

- Genuine Yale key
- Also fits the old Chubb 8K102 series

Overview

To Suit 8K102

Product Code	Suits Product
401	8K102

## YALE 8K108 Key



### Features

- Genuine Yale key
- Also fits the old Chubb 8K108 series

### Overview

To Suit 8K108

Product Code	Suits Product
7986	8K108

## YALE 8K109 Key



### Features

- Genuine Yale key
- Also fits the old Chubb 8K109 series

### Overview

To Suit 8K109

Product Code	Suits Product
2895	8K109

## YALE 8K120 Key



### Features

- Genuine Yale key
- Also fits the old Chubb 8K120 series

### Overview

To Suit 8K120

Product Code	Mfr Ref.
L5310	8K120

## YALE WS1 Key



### Features

- Genuine Yale key
- Also fits the old Chubb WS1 series

### Overview

To Suit WS1

Product Code	Mfr Ref.	Suits Manufacturer
432	WS1	Yale



# » Patio

---

Full Units	<b>691 - 718</b>
Furniture	<b>719 - 728</b>
Tilt & Turn	<b>729 - 744</b>
Bi-fold	<b>745 - 752</b>
Secondary Security	<b>753 - 760</b>
Accessories	<b>761 - 772</b>

SECURED BY

**PATLOCK™**

# THE ULTIMATE VISUAL DETERRENT



**Secure your french  
doors & conservatories  
with Patlock**

- Holds interior door handles, preventing operation of exterior handles
- Easily fitted & released in seconds

**See page 758**

» Patio

# Full Units

---

CHAMELEON	<b>692</b>
ASEC	<b>693</b>
CAL LOCKS	<b>694</b>
FUHR	<b>695</b>
FULLEX	<b>696 - 705</b>
MILA	<b>706 - 707</b>
ROTO	<b>708</b>
SCHLEGEL	<b>709</b>
SIEGENIA	<b>710 - 714</b>
WINLOCK	<b>715 - 717</b>



## CHAMELEON Adaptable Patio Repair Kit



### Features

- Kit includes: Lock, faceplate, keep, handles and levers
- Adaptable backset (18.5mm, 21.5mm, 24.5mm & 27.5mm)
- Euro profile
- Supplied without cylinder
- Ideal for replacing various obsolete patio locks
- Available in a range of finishes.

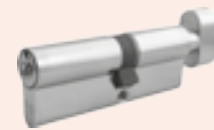
### Overview

Like many Chameleon products, this lock unit features an adjustable backset thanks to the included packers of various sizes. This kit is suitable for use on both timber and aluminium patio doors.

### Associated Products

#### Cylinders

See pages 387-415



Product Code	Finish	Backset	Locking Point - Mushroom	Locking Point - Roller
CH30074	Black	Adaptable (18.5mm, 21.5mm, 24.5mm & 27.5mm)	2	2
CH30075	Brown		2	2
CH30076	Gold		2	2
CH30077	Silver		2	2
CH30078	White		2	2

ASEC Hook Bolt Patio Repair Kit



Features

- Kit includes: Lock, keep, handles, packers and Asec 35/35 Euro cylinder
- 20mm backset
- Euro profile
- Non-handed
- Suitable for use on timber and aluminium patio doors
- Available in a range of finishes

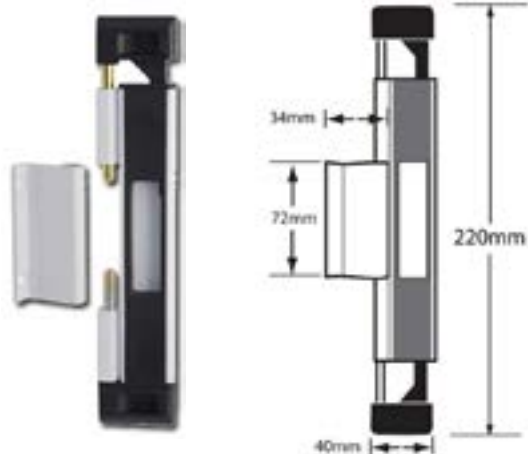
Associated Products

ASEC 5- Pin Cylinder Blank  
AS1199 Asec 5- Pin Blank



Product Code	Finish	Backset	Faceplate Height	Faceplate Width	Screw Centres
AS30079	Black	20mm	180mm	20mm	242mm
AS30080	Brown		180mm	20mm	242mm
AS30081	Gold		180mm	20mm	242mm
AS30082	Silver		180mm	20mm	242mm
AS30083	White		180mm	20mm	242mm

## CAL LOCKS Doublex Patio Sliding Door Lock



### Features

- Double pin to prevent the door from being lifted or forced open.
- Ideal for additional security or as replacement lock.

### Overview

The CAL double-bolt lock works by securing the door to the frame at two security points and preventing any movement of the door. With its double locking action, the CAL double-bolt lock makes it virtually impossible to remove the door by lifting off its track.

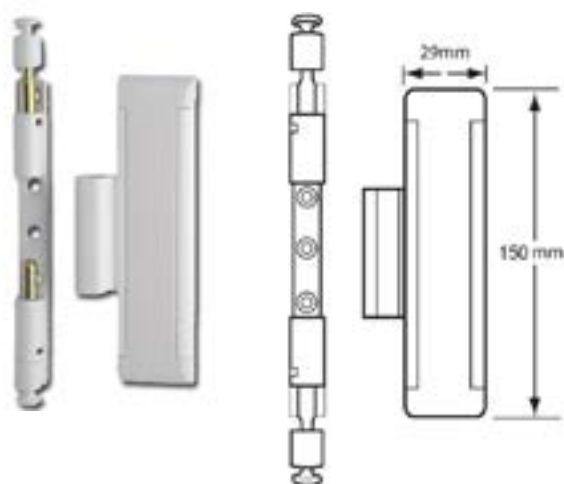
The CAL double-bolt lock can be used as a secondary or primary locking system on glass sliding doors. The lock can be mounted above the OEM lock to be out of children's reach or below the OEM lock to be within children's reach. The lock can also replace the OEM lock with the addition of the OEM replacement cavity. A CAL door handle is also an optional accessory and is available as an add on to the double bolt lock. The handle can be bolted on top of the double bolt lock for easier Overview of the glass sliding door. .

### Associated Products

**CAL LOCK Patio Handle**  
L18710 White

Product Code	Case Height	Finish	Mfr Ref.
L18711	220mm	White	CAL

## CAL LOCKS UPVC Door Lock



### Features

- Double pin to prevent the door from being lifted or forced open.
- Ideal for additional security.

### Overview

The CAL Single Lock is a powerful anti-theft device for all types of non-sliding doors and windows, single or double sided. It can be fitted onto UPVC, Timber or Aluminium doors, and can also be used on window shades and shutters. The CAL Single Lock can also be used as a child safety measure, as it can be positioned above the existing locking mechanism, out of the reach of children.

Product Code	Case Height	Finish	Mfr Ref.
L18712	145mm	White	CALDXS

FUHR Patio Lock - 4 Hook



Features

- 1800mm Sliding Patio door lock
- 25mm backset
- 90mm Centres
- Latch & Deadbolt Centre Case

Overview

A - Lift lever to engage locking mechanisms and then one full turn of the cylinder to lock. One full turn of the key then push down on the lever to unlock.

Associated Products

FUHR Patio Handle & Lever 3000 Series - No Cut Out

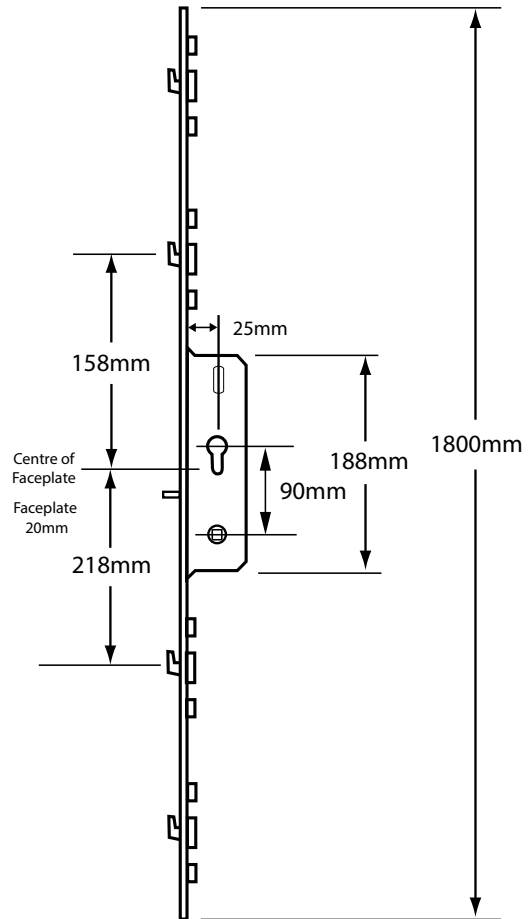
- L18543 White
- L18544 Gold

FUHR Patio Handle & Lever 3000 Series - Euro

- L18541 Gold
- L18542 Chrome

FURH Sparta Patio Door Handle Set

- L22764 White



Product Code	Backset	Centres	Faceplate Width	Hooks	Mfr Ref.
L18586	25mm	90mm	20mm	4	KS22518RS

## FULLEX Patio Lock 2+2 MK1 2PT Pin on Frame

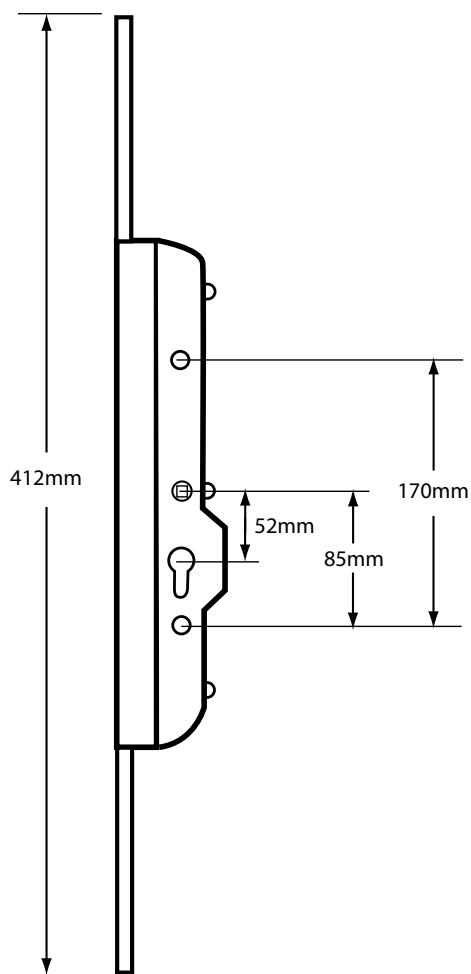


### Features

- When the door is closed to, the push pin engages, this allows the handle lever to engage the lock
- Please note that the pin is on the frame

### Overview

A patio lock by Fullex designed to offer high security and long term reliability.



Product Code	Backset	Centres	Faceplate Width	Length	Roller	Mfr Ref.
L18563	31mm	52mm	22mm	412mm	2	PD0125

FULLEX Patio Lock 2+2 MK1 4PT Pin on Frame

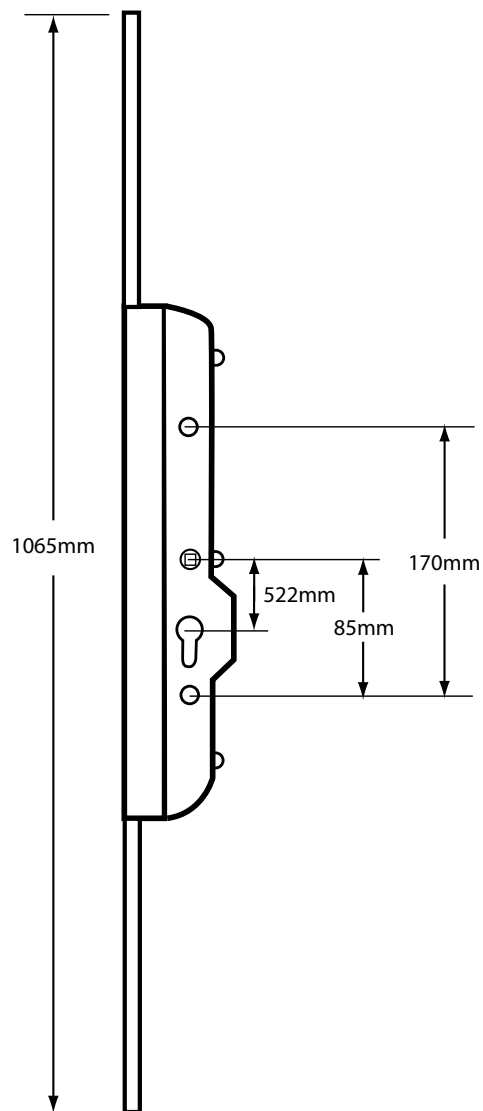


**Features**

- When the door is closed to, the push pin engages, this allows the handle lever to engage the lock
- Please note that the pin is on the frame

**Overview**

A patio lock by Fullex designed to offer high security and long term reliability.



Product Code	Backset	Centres	Faceplate Width	Length	Roller	Mfr Ref.
L18569	31mm	52mm	22mm	1065mm	4	PD0126

## FULLEX Patio Lock 2+2 MK2 2PT Pin on Lock

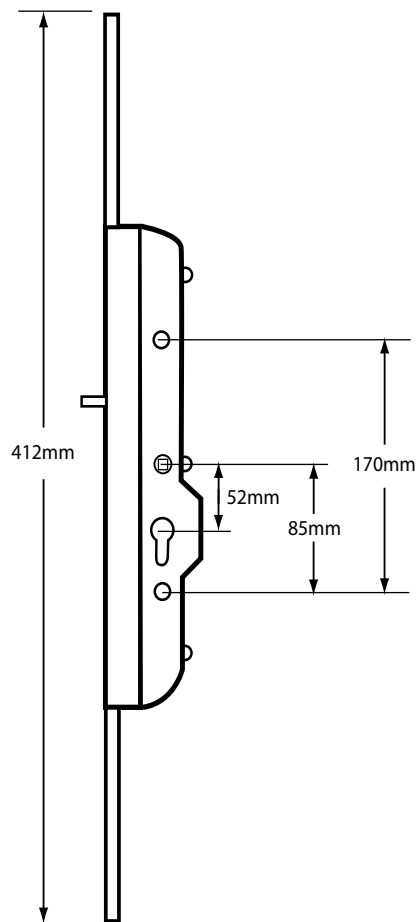


### Features

- When the door is closed to, the push pin engages, this allows the handle lever to engage the lock
- Please note that the pin is on the lock

### Overview

A patio lock by Fullex designed to offer high security and long term reliability.



Product Code	Backset	Centres	Faceplate Width	Length	Roller	Mfr Ref.
L18557	21mm	52mm	22mm	412mm	2	PD0079
L25255	31mm	52mm	22mm	412mm	2	PD0083

FULLEX Patio Lock 2+2 MK2 4PT Pin on Lock



Features

- When the door is closed to, the push pin engages, this allows the handle lever to engage the lock.
- Please note that the pin is on the lock.

Associated Products

FULLEX 506-2 Patio Handle & Lever

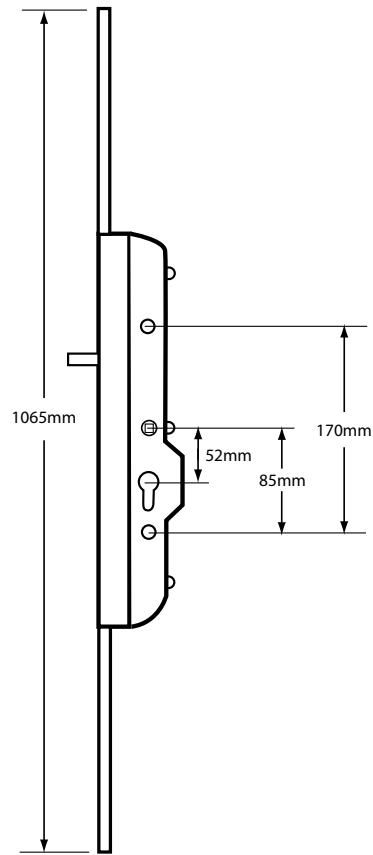
- L18530 White
- L20934 Silver
- L20935 Black

FULLEX 506 Patio Handle & Lever

- L18537 White
- L20932 Silver
- L20933 Black

FULLEX 502 Patio Handle & Lever

- L18534 White
- L20928 Silver
- L20929 Black



Product Code	Backset	Centres	Faceplate Width	Length	Roller	Mfr Ref.
L18559	21mm	52mm	22mm	1065mm	4	PD0099
L18560	31mm	52mm	22mm	1065mm	4	PD0108



## FULLEX Patio Lock 3D &amp; 7D MK1 2PT

105 23 33

fullex

### Features

- When the door is closed to, the push pin engages, this allows the handle lever to engage the lock.
- Please note that the pin is on the frame.

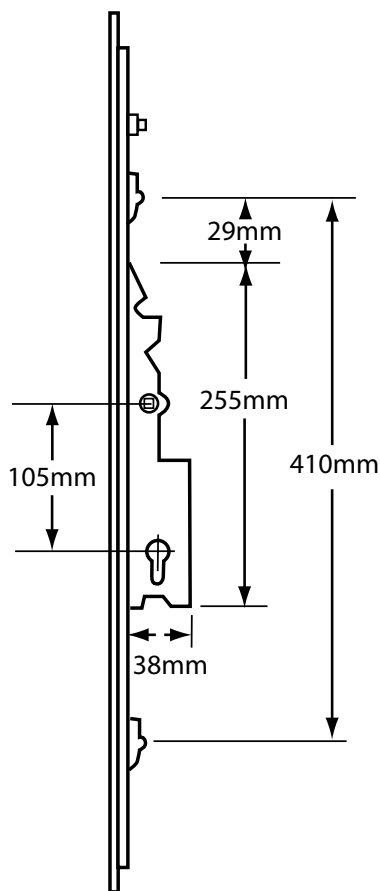
### Associated Products

#### FULLEX 506-2 Patio Handle & Lever

L18530 White  
L20934 Silver  
L20935 Black

#### FULLEX 506 Patio Handle & Lever

L18537 White  
L20932 Silver  
L20933 Black



Product Code	Backset	Centres	Faceplate Width	Length	Roller	Mfr Ref.
L18567	23mm	105mm	19mm	629mm	2	3D - PD0068
L18562	33mm	105mm	19mm	629mm	2	7D - PD0067

FULLEX Patio Lock 4D & 8D MK2 4PT



Features

- When the door is closed to, the push pin engages, this allows the handle lever to engage the lock
- Please note that the pin is on the lock

Overview

A patio lock by Fullex, designed to offer high security and long term reliability.

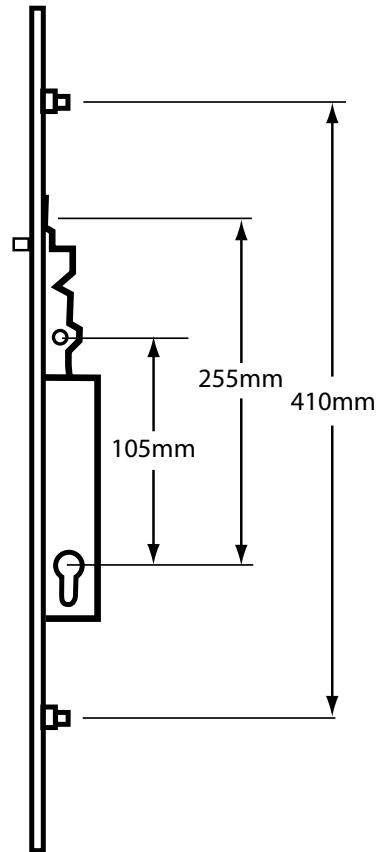
Associated Products

FULLEX 506-2 Patio Handle & Lever

- L18530 White
- L20934 Silver
- L20935 Black

FULLEX 506 Patio Handle & Lever

- L18537 White
- L20932 Silver
- L20933 Black



Product Code	Backset	Centres	Faceplate Width	Length	Roller	Mfr Ref.
L18556	23mm	105mm	19mm	629mm	2	4D - PD0037
L18552	33mm	105mm	19mm	629mm	2	8D - PD0025

## FULLEX Patio Lock 54D &amp; 94D MK1 4PT

105 23 33

fullex

### Features

- When the door is closed to, the push pin engages, this allows the handle lever to engage the lock
- Please note that the pin is on the frame.

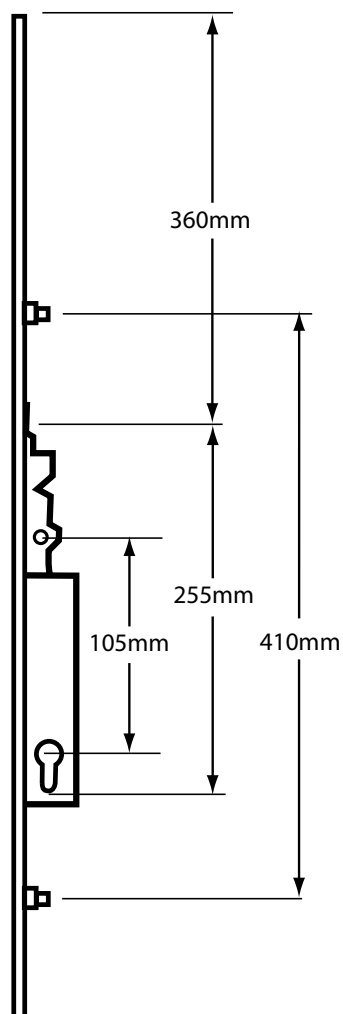
### Overview

A patio lock by Fullex designed to offer high security and long term reliability.

### Associated Products

#### FULLEX 506 Patio Handle & Lever

L18537	White
L20932	Silver
L20933	Black



Product Code	Backset	Centres	Faceplate Width	Length	Roller	Mfr Ref.
L18566	23mm	105mm	19mm	1110mm	4	54D - PD0066
L18561	33mm	105mm	19mm	1110mm	4	94D - PD0065

FULLEX Patio Lock 64D & 104D MK2 4PT



**Features**

- When the door is closed to, the push pin engages, this allows the handle lever to engage the lock
- Please note that the pin is on the lock

**Overview**

A patio lock by Fullex designed to offer high security and long term reliability.

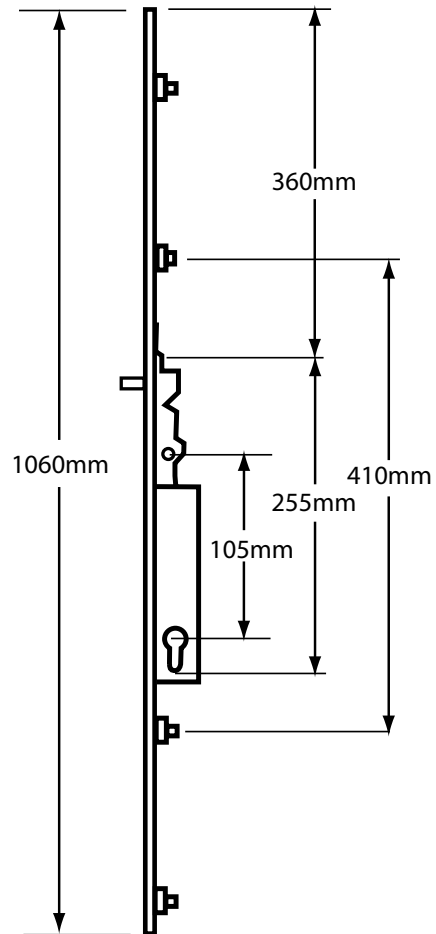
**Associated Products**

**FULLEX 506 Patio Handle & Lever**

- L18537 White
- L20932 Silver
- L20933 Black

**FULLEX 502 Patio Handle & Lever**

- L18534 White
- L20928 Silver
- L20929 Black



Product Code	Backset	Centres	Faceplate Width	Length	Roller	Mfr Ref.
L18555	23mm	105mm	19mm	629mm	4	PD0021
L18570	33mm	105mm	19mm	629mm	4	PD0009

## FULLEX Patio Lock MK1 2PT Pin on Frame

203 18.75 25.75 28.75

fullex



### Features

- When the door is closed to, the push pin engages, this allows the handle lever to engage the lock.
- Please note that the pin is on the frame.
- There is a separate Euro profile lock to deadlock the system.

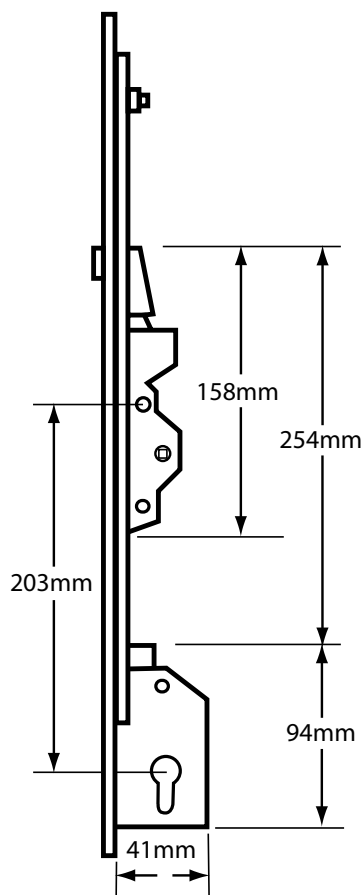
### Associated Products

#### FULLEX 506-2 Patio Handle & Lever

L18530 White  
L20934 Silver  
L20935 Black

#### FULLEX 506 Patio Handle & Lever

L18537 White  
L20932 Silver  
L20933 Black



Product Code	Backset	Centres	Faceplate Width	Length	Roller	Mfr Ref.
L18568	18.75mm	203mm	19mm	452mm	2	PD0071
L18565	25.75mm	203mm	19mm	452mm	2	PD0070
L18564	28.75mm	203mm	19mm	452mm	2	PD0069

FULLEX Patio Lock MK2 2PT Pin on Lock



Features

- When the door is closed to, the push pin engages, this allows the handle lever to engage the lock.
- Please note that the pin is on the lock.
- There is a separate Euro profile lock to deadlock the system.

Associated Products

FULLEX 506-2 Patio Handle & Lever

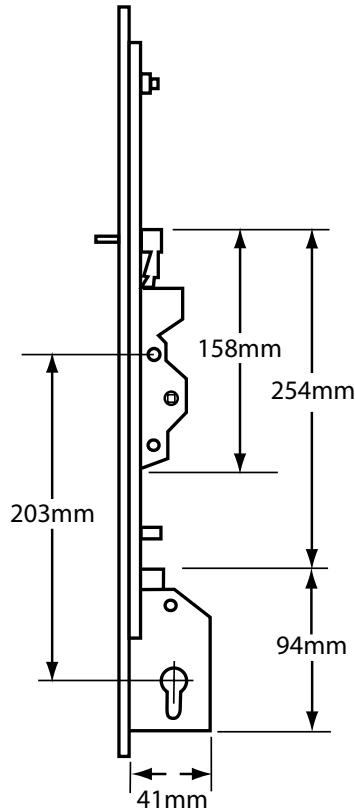
- L18530 White
- L20934 Silver
- L20935 Black

FULLEX 506 Patio Handle & Lever

- L18537 White
- L20932 Silver
- L20933 Black

FULLEX 502 Patio Handle & Lever

- L18534 White
- L20928 Silver
- L20929 Black



Product Code	Backset	Centres	Faceplate Width	Length	Roller	Mfr Ref.
L18558	18.75mm	203mm	19mm	403mm	2	PD0057
L18554	25.75mm	203mm	19mm	403mm	2	PD0053
L18553	28.75mm	203mm	19mm	403mm	2	PD0049

## MILA Fearless 4 Hook Patio Door Lock



### Features

- Ideal for replacement of old discontinued units
- Euro operated lock
- Opposite hook arrangement to avoid lifting attack
- Not supplied with keeps

### Overview

A euro cylinder operated 4 hook patio door lock from Mila.

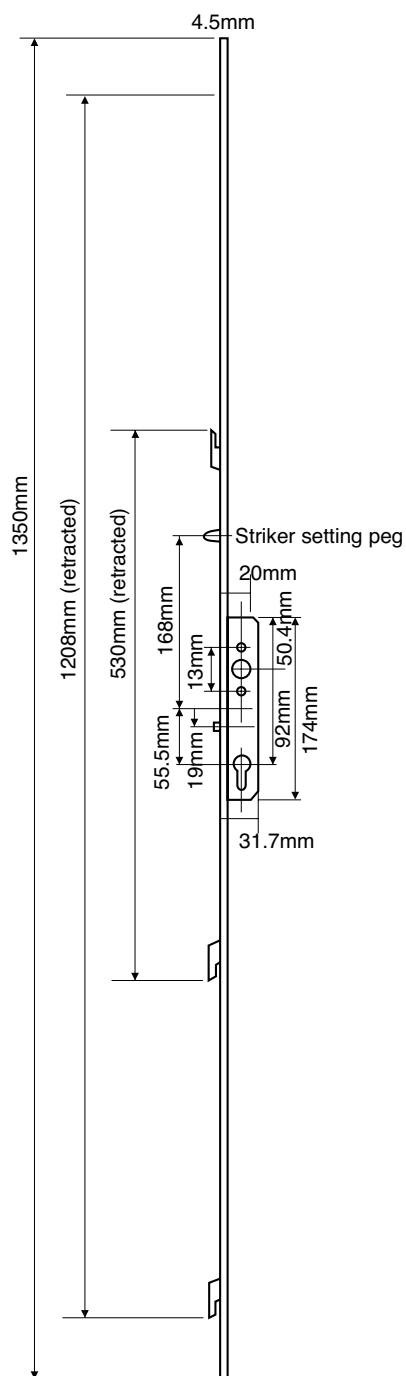
### Associated Products

#### MILA Fearless Complete Patio Lock Door Kit

L18584 White  
L18585 Gold

#### MILA Fearless 4 Hook Keep To Suit Patio Locks

L22842 4 Hook Keep



Product Code	Backset	Centre Case	Centres	Length	Hooks	Mfr Ref.	Spindle
L22841	20mm	Latch & Deadbolt	92mm	820mm	4	108302	Single

MILA Fearless Complete Patio Lock Door Kit



Features

- Kit comprises of lock, full length strike, handles, rollers & end stop.
- Complete patio kit, ideal for replacement of old discontinued units
- NB - Additional work may be required when retro fitting

Overview

A complete patio kit ideal for replacement of old discontinued units (some additional work may be required)

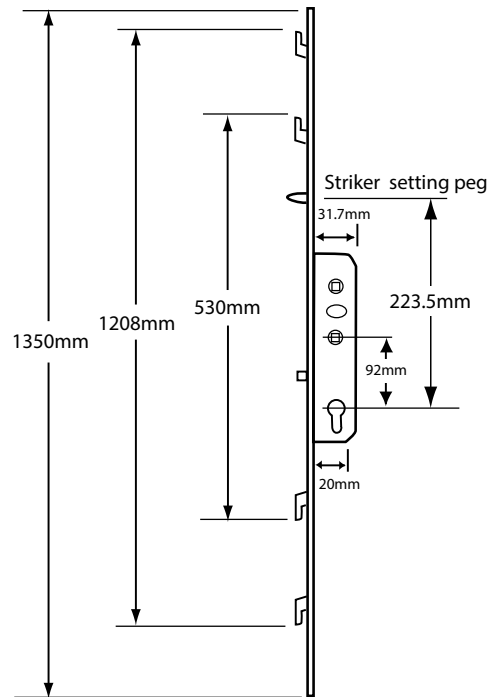
Included:

MILA Fearless 4 Hook Keep To Suit Patio Locks  
MILA Fearless 4 Hook Patio Door Lock

Associated Products

MILA Fearless 4 Hook Keep To Suit Patio Locks  
L22842 4 Hook Keep

MILA Fearless 4 Hook Patio Door Lock  
L22841 20/92



Product Code	Backset	Centres	Finish	Length	Hooks	Mfr Ref.
L18584	20mm	92mm	White	820mm	4	FLIPEW
L18585	20mm	92mm	Gold	820mm	4	FLIPEG



ROTO Patio Life 349184 FHH Espag Rod 16mm

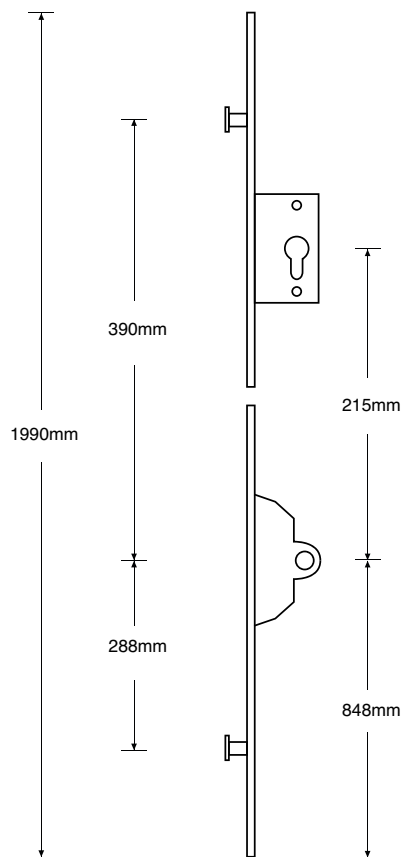


Features

- 4 Rollers
- 16mm Wide faceplate
- 30mm Backset

Overview

The 2071-2270 349184 is a full FHH patio espagnolette unit with a 16mm faceplate made by Roto.



Product Code	Backset	Faceplate Width	Length	Roller	Mfr Ref.
L23979	30mm	16mm	1990mm	4	2071-2270 349184

SCHLEGEL BHD 2 Point Euro Patio Lock



Features

- 40mm Centres.
- 2 Mushroom Pins.

Overview

Schlegel BHD 2 Point Patio Lock with Euro Profile cut out.

Notes

Variants Discontinued - L18582 supplied with packers to make up backsets of 22.5mm, 25mm & 27.5mm.

Associated Products

SCHLEGEL Patio Handle & Lever - Euro

L20927 Silver

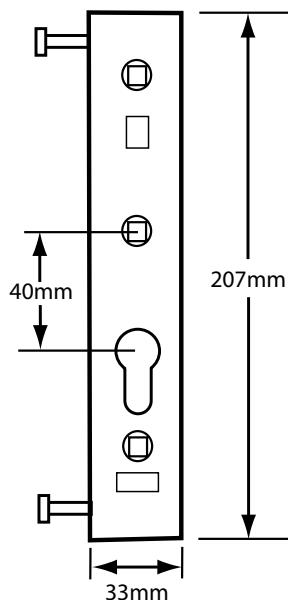
ASEC Replacement Patio Handle To Suit Schlegel

AS10728 Black

AS10643 Brown

AS10644 Grey

AS10642 White



Product Code	Backset	Centres	Length	Mushroom	Roller	Mfr Ref.
L18581	15.5mm	40mm	207mm	2	2	28420019
L18582	18.5mm	40mm	207mm	2	2	28420029
L18583	22.5mm	40mm	207mm	2	2	28420039
L18579	25mm	40mm	207mm	2	2	28420049
L18580	27.5mm	40mm	207mm	2	2	28420059

## SIEGENIA Euro Deadlock Euro Patio Gear - 2 Roller



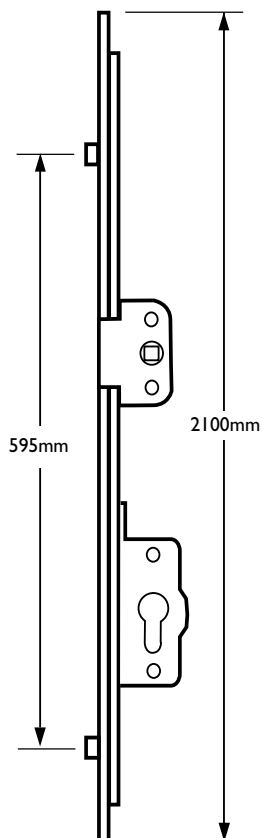
### Features

- The gear is operated by means of an external handle.
- The handle can be locked in the closed position by key.
- Additional deadlock to secure the whole system.

### Associated Products

#### CHAMELEON Tilt Before Turn Handle

- CH30037 Black
- CH30035 Chrome
- CH30036 Satin Chrome
- CH30034 White



Product Code	Backset	Length	Roller	Mfr Ref.
L18572	25mm	2100mm	2	5SIE6846
L18571	30mm	2100mm	2	5SIE6835
L18578	35mm	2100mm	2	5SIE6844

## SIEGENIA Euro Deadlock Euro Patio Gear - 2 Roller



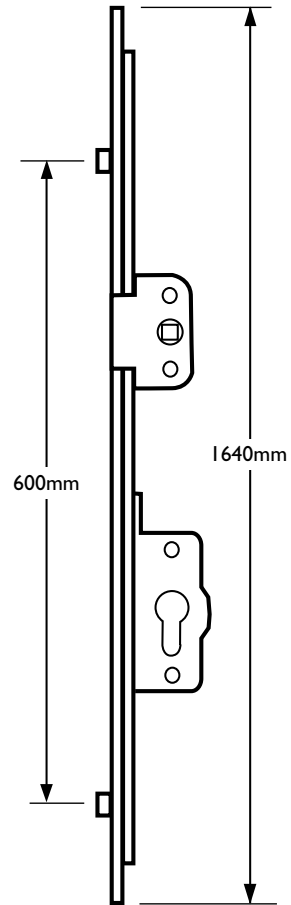
### Features

- The gear is operated by means of an external handle.
- The handle can be locked in the closed position by key.
- Additional deadlock to secure the whole system.

### Associated Products

**CHAMELEON Tilt Before Turn Handle**

- CH30037 Black
- CH30035 Chrome
- CH30036 Satin Chrome
- CH30034 White



Product Code	Backset	Length	Locking Point - Roller	Mfr Ref.
L18573	35mm	1870mm	2	5SIE7115

## SIEGENIA Patio Gear - 1 Locking Point



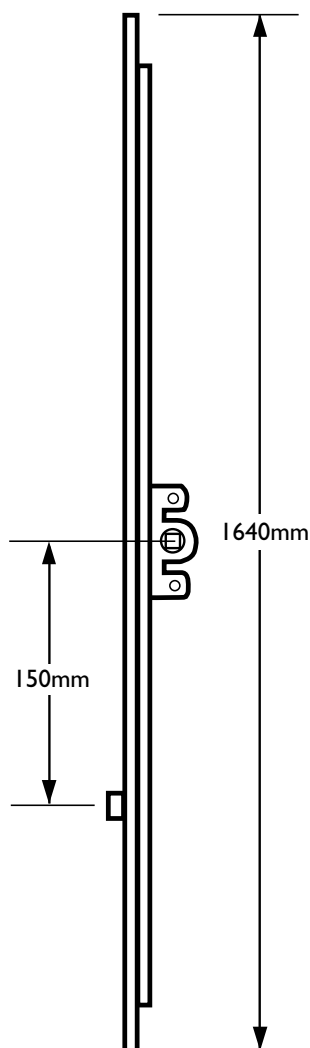
### Features

- The gear is operated by means of an external handle.
- The handle can be locked in the closed position by key.

### Associated Products

#### HOPPE UPVC Espag Handle Inline 0710S/U26

L17396	Silver
L17397	White
L17398	Gold
L21469	Brass
L21470	Chrome



Product Code	Backset	Length	Locking Point - Roller	Mfr Ref.
L22844	16mm	680mm - 1180mm	1	5SIE7167
L18576	16mm	1001mm - 1460mm	1	5SIE7163
L18575	16mm	1461mm - 1920mm	1	5SIE7164

## SIEGENIA Patio Gear - 2 Locking Points



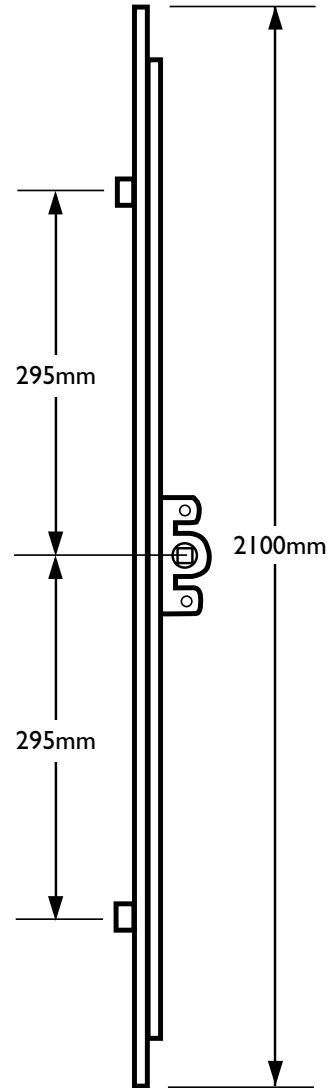
### Features

- The gear is operated by means of an external handle.
- The handle can be locked in the closed position by key.

### Associated Products

HOPPE UPVC Espag Handle Inline 0710S/U26

- L17396 Silver
- L17397 White
- L17398 Gold
- L21469 Brass
- L21470 Chrome



Product Code	Backset	Length	Roller	Mfr Ref.
L18574	16mm	1880mm - 2380mm	2	5SIE7166

## SIEGENIA Patio Gear - No Locking Points



### Features

- The gear is operated by means of an external handle.
- The handle can be locked in the closed position by key.
- No Locking Points

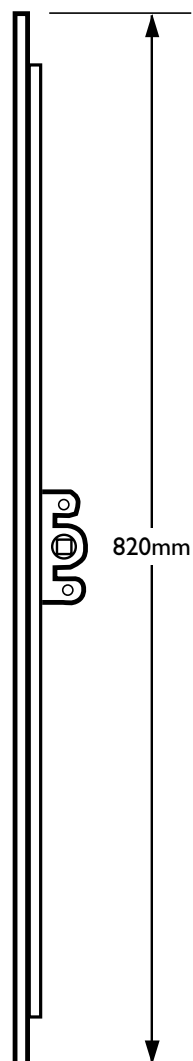
### Notes

No Locking Points

### Associated Products

#### HOPPE UPVC Espag Handle Inline 0710S/U26

L17396	Silver
L17397	White
L17398	Gold
L21469	Brass
L21470	Chrome



Product Code	Backset	Length	Mfr Ref.
L21813	16mm	480mm - 600mm	340100
L18577	16mm	601mm - 1100mm	5SIE7162

## WINLOCK 6 Hook Stronghold Patio Door Lock



### Features

- 6 paired hooks for added security
- Profile cylinder locking
- Non-handed for reduced stocking
- Suitable for UPVC, Aluminium and Timber Euro-groove applications
- All exposed components are made of 430 stainless steel
- PAS24 door security standard

### Overview

The Winlock PLH6198 6 hook stronghold patio door lock is designed to achieve PAS24 door security standard. This non-handed multipoint lock has 6 paired hooks for added security and is suitable for use on UPVC, aluminium and timber euro-groove applications.

### Associated Products

#### WINLOCK Patio Bump Stop

- L25035 Black
- L25033 White

#### WINLOCK Patio Spring Bolt - 47mm Throw

- L25036 Chrome
- L25035 White

#### WINLOCK Patio Spring Bolt - 24mm Throw

- L25038 Chrome
- L25039 White

Product Code	Backset	Centres	Faceplate Width	Length	Mfr Ref.
L25019	14mm	92mm	16mm	1345mm	PLH6198

## WINLOCK 6 Hook Patio Door Lock



### Features

- 6 hooks
- Profile cylinder locking
- Non-handed for reduced stocking
- Suitable for UPVC, aluminium and timber euro-groove applications

### Overview

The Winlock PLS612S/SS 6 hook patio door lock is a non-handed multipoint lock and is suitable for use on UPVC, aluminium and timber euro-groove applications.

### Associated Products

#### WINLOCK Patio Bump Stop

- L25035 Black
- L25033 White

#### WINLOCK Patio Spring Bolt - 24mm Throw

- L25038 Chrome
- L25039 White

#### WINLOCK Bombardier Patio Handle

- L25024 Chrome
- L25023 Gold
- L25022 White

Product Code	Backset	Centres	Faceplate Width	Length	Mfr Ref.
L25020	14mm	92mm	16mm	1345mm	PLS612S/SS



## WINLOCK Extendable 6 Hook Patio Door Lock



### Features

- 6 hooks
- Extendable
- Profile cylinder locking
- Non-handed for reduced stocking
- Suitable for UPVC, aluminium and timber euro-groove applications

### Overview

The Winlock extendable PLS612SB/SS 6 hook patio door lock is a non-handed multipoint lock and is suitable for use on UPVC, aluminium and timber euro-groove applications.

### Associated Products

#### WINLOCK Patio Bump Stop

L25035 Black  
L25033 White

#### WINLOCK Patio Spring Bolt - 24mm Throw

L25038 Chrome  
L25039 White

#### WINLOCK Bombardier Patio Handle

L25024 Chrome  
L25023 Gold  
L20522 White

Product Code	Backset	Centres	Faceplate Width	Length	Mfr Ref.
L25021	14mm	92mm	16mm	1345mm	PLS612S/SS

## WINLOCK Patio Shoot Bolt Extension



### Features

- Patio extension shoot bolt
- Available in a range of sizes
- To be used in conjunction with a Winlock extendable patio door lock

### Overview

The Winlock Patio Shoot Bolt Extension is to be used in conjunction with a Winlock extendable patio door lock and is available in a variety of sizes.

Product Code	Length	Mfr Ref.
L25025	285mm	PLS992VB
L25026	380mm	PLS992WB
L25027	500mm	PLS992YB

WINLOCK Patio Keep To Suit Winlock Stronghold



**Features**

- Full length keep
- To suit Winlock Stronghold 6 hook patio locks

**Overview**

This Winlock full length patio keep is to suit the Winlock Stronghold 6-hook patio multi-point lock and is available with or without rear pegs.

**Associated Products**

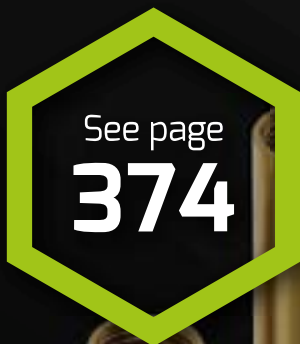
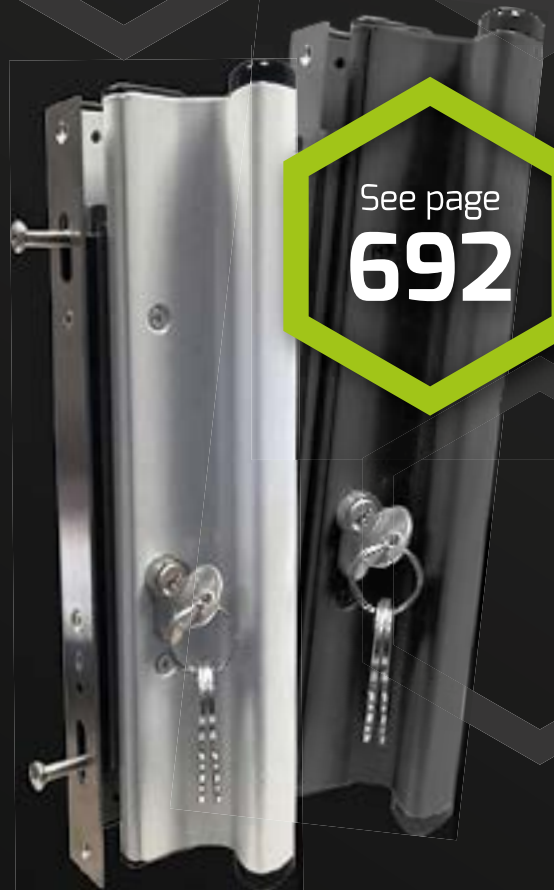
**WINLOCK 6 Hook Stronghold Patio Door Lock**  
 L25019 1990mm

Product Code	Length	Hooks	Mfr Ref.	Notes
L25028	1250mm	6	PKH6160A98	No rear pegs
L25029	1250mm	6	PKH6161A98	Includes rear pegs

## Adaptable Patio Repair Kit

This Patio Repair Kit can replace various obsolete patio locks and can fit 4 backsets (18.5mm, 21.5mm, 24.5mm and 27.5mm)

- Supplied complete with lock, faceplate, keep, handle & levers
- Available in 5 high quality finishes



## Adaptable 160° Door Viewer

The easy-to-install Adaptable Door Viewer from chameleon comes supplied with two barrels of varying lengths to allow for installation into doors between 35mm and 85mm thick.

» Patio

# Furniture

---

ADAMS RITE	<b>720</b>
ASEC	<b>720</b>
CAL LOCKS	<b>721</b>
FUHR	<b>721 - 722</b>
FULLEX	<b>723 - 724</b>
MILA	<b>725</b>
PADDOCK	<b>726</b>
SCHLEGEL	<b>726</b>
WINLOCK	<b>727</b>

## ADAMS RITE 4100 Series Flush Handle Set



### Features

- For use with MS® 1848 Deadlock.
- For use on aluminium and steel doors.
- Simple vertical slide button throws or retracts deadlock bolt.
- Variable backset; minimum 159mm (0625), maximum 325mm (128)

Product Code	Backset	Finish	Length	Width	Notes	Mfr Ref.
L17448	15.9mm x 32.5mm	Anodised Aluminium	223mm	31.2mm	No Cylinder	4189-00-01130
L17449	15.9mm x 32.5mm	Anodised Aluminium	223mm	31.2mm	With Cylinder	4190-00-01130

## ASEC Replacement Patio Handle To Suit Schlegel



### Features

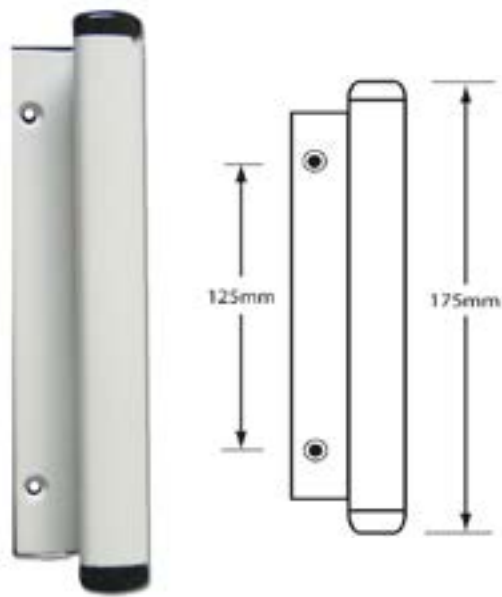
- Designed to work with the Schlegel patio lock range
- Can be used as a repair handle on it's own

### Overview

This Asec replacement handle with euro profile cut out is designed to suit the Schlegel BHD 2 Point Patio Lock and is available in a variety of finishes.

Product Code	Finish	Screw Centre	Length
AS10728	Black	300mm	20mm
AS10643	Brown	135mm	300mm
AS10644	Grey	135mm	300mm
AS10642	White	135mm	300mm

CAL LOCKS Patio Handle



Features

- Designed to fit onto the L18711.
- Can be used as a repair handle on its own.

Overview

The CAL door handle easily attaches to the CAL Double Bolt Lock, to enable it to be used as a handle as well as a highly secure lock.

The CAL lock works by securing the door to the frame at two security points and preventing any movement of the door. With its double locking action, the CAL lock makes it virtually impossible to remove the door by lifting off its track.

Associated Products

CAL LOCKS Doublex Patio Sliding Door Lock  
L18711 White

Product Code	Finish	Handle Length	Handle Projection	Plate Width	Screw Centres	Mfr Ref.
L18710	White	175mm	35mm	25mm	128mm	CALH

FUHR Patio Handle & Lever 3000 Series - Euro



Features

- For use with Fuhr Patio Lock (L18586)

Associated Products

FHUR Patio Lock - 4 Hook  
L18586 90/25

Product Code	Centres	Finish	Mfr Ref.	Screw Centres
L18541	92mm	Gold	3001214	145mm
L18542	92mm	Chrome Plated	3001212	145mm

## FUHR Patio Handle &amp; Lever 3000 Series - No Cut Out

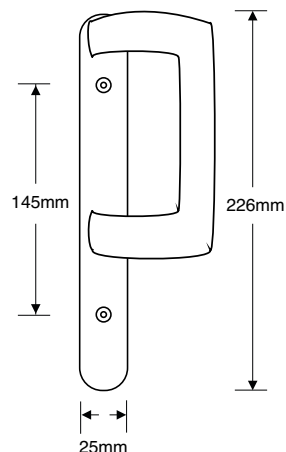


### Features

- For use with Fuhr patio lock (L18586)
- No euro cut out

### Associated Products

FHUR Patio Lock - 4 Hook  
L18586 90/25



Product Code	Centres	Finish	Length	Screw Centres	Mfr Ref.
L18544	92mm	Gold	226mm	145mm	3001215
L18543	92mm	White	226mm	145mm	3001203

## FUHR Sparta Patio Door Handle Set



### Features

- Part of the Fuhr Sparta suite of products
- Non handed
- Attractive design

### Overview

The attractive design of the Fuhr Sparta patio door handle co-ordinates with other Sparta products to provide a comprehensive suite. To ease stockholding, the handles have been designed with symmetrical grip allowing them to be reversed for right or left hand usage.

### Associated Products

FHUR Patio Lock - 4 Hook  
L18586 90/25

Product Code	Centres	Finish	Length	Plate Width	Screw Centres	Mfr Ref.
L22764	90mm	White	220mm	25mm	145mm	0775-2000-WH

FULLEX 502 Patio Handle & Lever

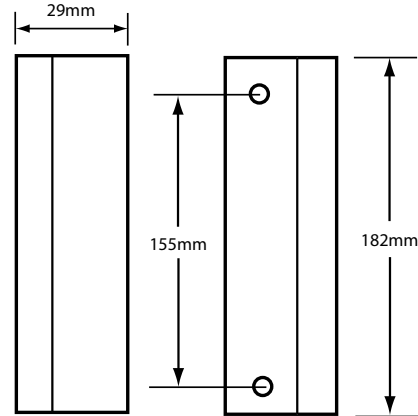


Features

- Suitable for timber or metal sliding patio doors

Associated Products

FULLEX 5mm Patio Lever  
L18536 5mm spindle



Product Code	Finish	Height	Width	Screw Centres	Mfr Ref.
L18534	White	182mm	29mm	155mm	27023/24P-10

FULLEX 506 Patio Handle & Lever



Features

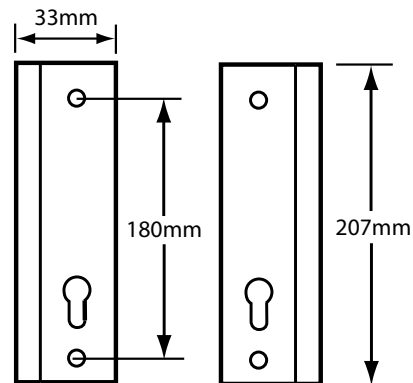
- Complete with 5mm Spindle and Lever Pack.
- To suit locks L18567, L18562, L18556, L18552, L18566, L18561, L18555, L18570.

Notes

Gold version (L18529) = Obsolete

Associated Products

FULLEX 5mm Patio Lever  
L18536 5mm spindle



Product Code	Finish	Length	Screw Centres	Mfr Ref.
L18537	White	207mm	180mm	27065/66P-10



## FULLEX 506-2 Patio Handle &amp; Lever

fullex



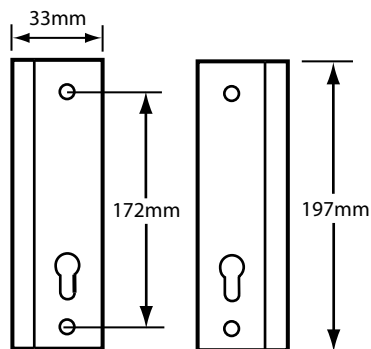
## Features

- Complete with 5mm Spindle and Lever Pack.
- To suit locks L18563, L18557, L18569, L18559, L18560.

## Associated Products

## FULLEX 5mm Patio Lever

L18536 5mm spindle



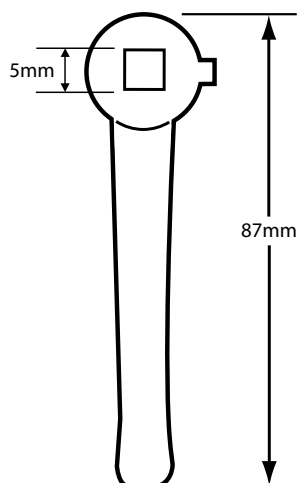
Product Code	Finish	Length	Width	Plate Length	Screw Centres	Mfr Ref.
L18530	White	197mm	33mm	197mm	172mm	27067/68P-10

## FULLEX 5mm Patio Lever

fullex

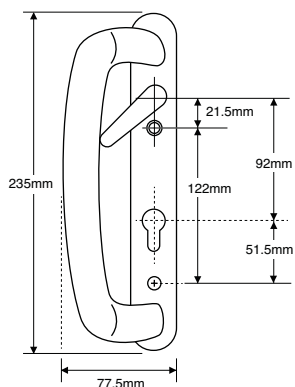
## Features

- 5mm Spindle Hole Black Lever.



Product Code	Finish	Spindle	Mfr Ref.
L18536	Black	5mm	P/AC0100

MILA ProSecure Kitemarked 92PZ Lever/  
Lever Patio Handle



Features

- Thumbturn to both sides
- Easily adjustable handing
- Secured by Design Approved
- Heavy duty 6mm bolts
- Complies to TS007 2 Star standards
- C/w specially designed bearing anti-pull fixing

Overview

The Mila ProSecure lever/lever patio handles are the ideal upgrade furniture for sliding patio doors, with easily adjustable handing, heavy duty 6mm bolts, a thumbturn to both sides and specially designed bearing anti-pull fixing. This product complies to TS007 2 Star, Kitemark and Secured by Design standards.



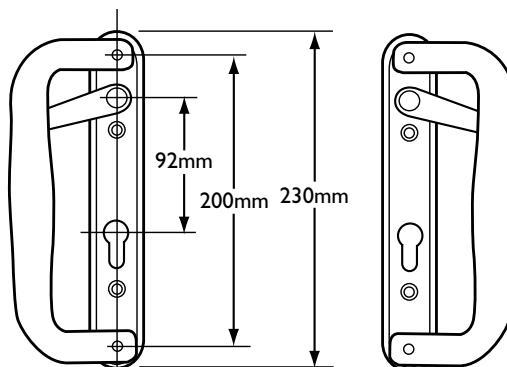
Product Code	Centres	Finish	Length	Width	Mechanism	Standards	Mfr Ref.
L24087	92mm	Chrome	235mm	24.5mm (backplate)	Lever/Lever	TS007 2 Star	108901
L24088	92mm	Gold	235mm	24.5mm (backplate)	Lever/Lever	TS007 2 Star	108904
L24089	92mm	White	235mm	24.5mm (backplate)	Lever/Lever	TS007 2 Star	108908

MILA Trinty/ Prolinea Patio Handle & Lever



Features

- Reversible for right or left hand opening.
- Longer operating lever provides smoother locking Overview.



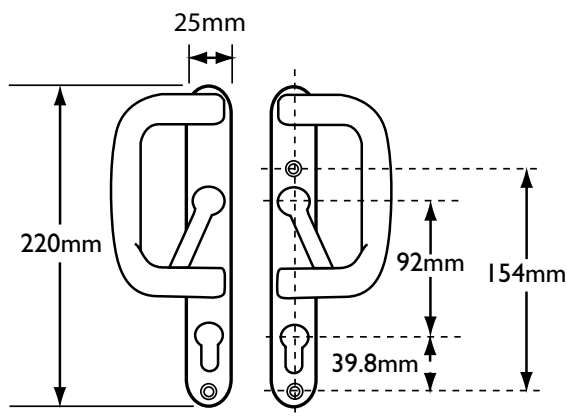
Product Code	Centres	Finish	Handed	Length	Screw Centres	Mfr Ref.
L18550	92mm	Gold	Reversible	230mm	200mm	108614
L18551	92mm	White	Reversible	230mm	200mm	108608

## PADDOCK Patio Handle &amp; Lever - Euro



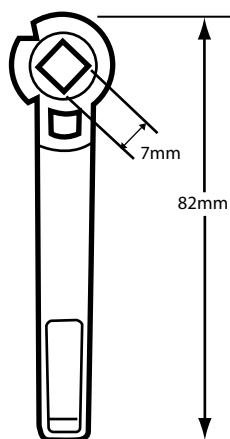
## Features

- Also known as the Trojan Patio Handle.
- Stylish and contemporary patio door handle
- Corrosion resistance to EN1670:2007 Grade 4
- Tested to a minimum order 100,000 cycle Overviewal lifespan



Product Code	Centres	Finish	Length	Screw Centres	Mfr Ref.
L18539	92mm	Polished Brass	220mm	154mm	0770-2000 PB
L18538	92mm	Chrome Plated	220mm	154mm	0770-2000 CP
L18545	92mm	White	220mm	154mm	0770-2000 WH

## SCHLEGEL 7mm Patio Lever



## Features

- Lever only
- Black Finish

## Overview

Plastic lever with a 7mm diameter spindle hole.

Product Code	Finish	Spindle	Mfr Ref.
L18549	Black	7mm	28666450

## WINLOCK Sparta Patio Door Handle



### Features

- Designed for sliding patio doors
- Euro cylinder profile
- Secure bolt through fixings
- Large handle for ease of use

### Overview

The easy to install Winlock Sparta Patio Door Handles with Euro cylinder profile is available in a choice of finishes.

Product Code	Centres	Finish	Length	Screw Centres	Width	Mfr Ref.
L25030	92mm	Gold	220mm	154mm	70mm	PH-0770-2000-GO
L25031	92mm	Chrome	220mm	154mm	70mm	PH-0770-2000-CH

## WINLOCK Bombardier Patio Handle



### Features

- Designed for sliding patio doors
- Screw and spindle pack suitable for 47-60mm door thickness
- Downward operating lever with separate key deadlocking facility
- Available in a range of finishes

### Overview

The Winlock Bombardier Patio Handles are designed for use on sliding patio doors. With a downward operating lever and separate key deadlocking facility, these stylish handles are available to purchase in a variety of finishes.

Product Code	Centres	Finish	Length	Screw Centres	Width	Mfr Ref.
L25022	110mm	White	220mm	153mm	27mm	PH101A
L25023	110mm	Gold	220mm	153mm	27mm	PH1046W
L25024	110mm	Chrome	220mm	153mm	27mm	PH1049W



# Adaptable Window Espag Handle

Unique patented spindle system means you do not have to cut down the size, you simply select the correct spindle length from a choice of 5.

- Fits over 95% of casement windows
- Available inline & offset in a wide range of finishes



See pages  
**588, 597  
& 598**

- Complete with 10mm, 15mm, 30mm, 43mm and 55mm spindles for ease of fitting



» Patio

# Tilt & Turn

---

Furniture	<b>730 - 734</b>
Mechanism	<b>735 - 744</b>

## CHAMELEON Tilt Before Turn Handle

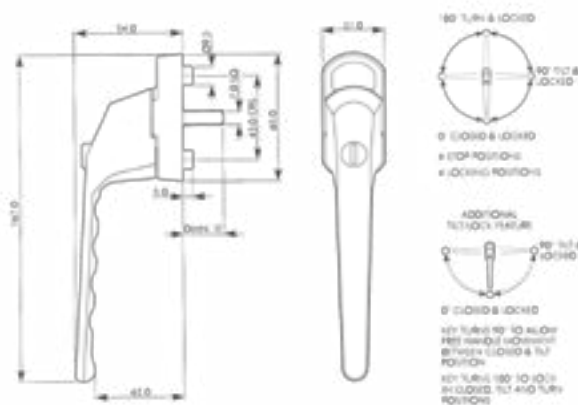


### Features

- 7mm x 40mm spindle
- Available in a range of attractive finishes
- Locks in closed position
- Supplied with 1 key
- Unique key controlled tilt / lock mechanism restricts sash movement beyond tilt without use of key
- Ideal for use with patio or window multi-point locks

### Operation

Chameleon Tilt-Before-Turn Handle for use with patio or window multi-point locks. The unique tilt / lock mechanism is designed to allow the window to be tilted by using the handle alone however requires a key to be used to allow it to be opened fully. Available in a range of attractive finishes to suit any home décor.



Product Code	Finish	Length	Screw Centres	Spindle
CH30034	White	167mm	43mm	7mm
CH30035	Chrome	167mm	43mm	7mm
CH30036	Satin Chrome	167mm	43mm	7mm
CH30037	Black	167mm	43mm	7mm
CH30038	Gold	167mm	43mm	7mm

## CHAMELEON Adaptable Window Blade/Fork Drive Handle

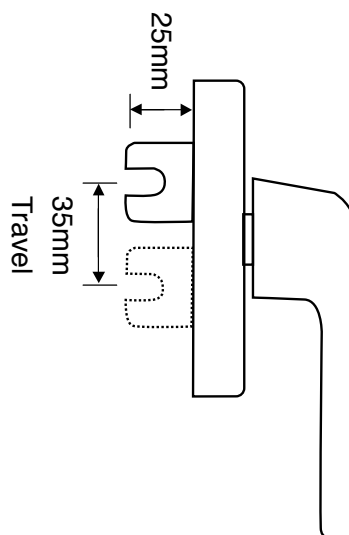
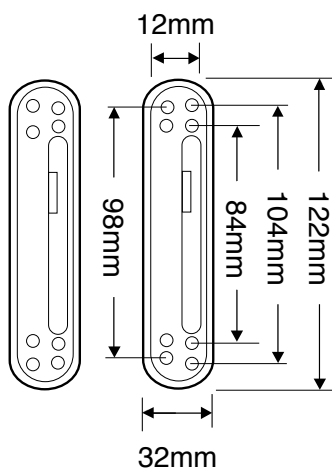


### Features

- The handle can be locked with the key in either the top or bottom positions
- Interchangeable fixing position
- Often used on commercial applications
- The handle will engage in four positions
- The handle drives a fork or a blade (whichever is required)
- Supplied with 2 keys & 2 fixing bolts

### Operation

The Chameleon replacement tilt & turn window handle features a unique design which allows for an interchangeable fork or flat plate fitting. This is ideal for commercial jobs where the fitting type of the original handle may be unknown. The handle comes with both fork and flat plate fittings, 2 keys and 2 fixing screws.



Product Code	Finish	Keys Supplied	Type
CH21806	Silver	2	Inline
CH21805	White	2	Inline



## Asec Tilt Before Turn Handle



### Features

- Locks in closed position
- Unique key controlled tilt / lock mechanism restricts sash movement beyond tilt without use of key
- Ideal for use with patio or window multi-point locks
- 7mm x 40mm spindle
- Available in a range of attractive finishes
- Supplied with 1 key

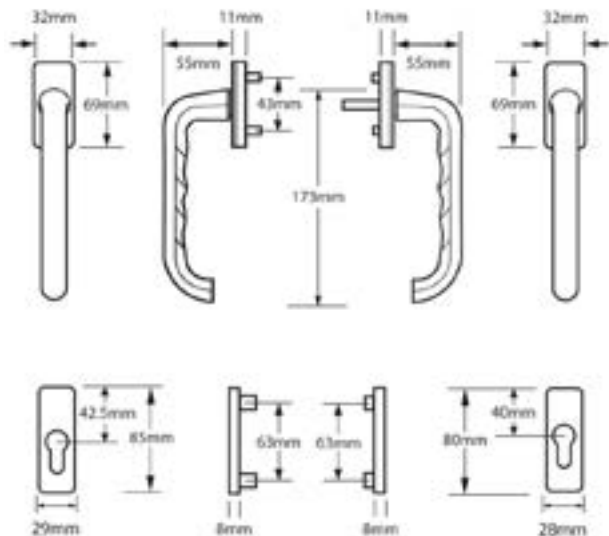
### Operation

Asec Tilt Before Turn Handle for use with patio or window multi-point locks. The unique tilt / lock mechanism is designed to allow the window to be tilted by using the handle alone however requires a key to be used to allow it to be opened fully. Available in a range of attractive finishes to suit any home décor.



Product Code	Finish	Length	Screw Centres	Spindle
AS10683	White	167mm	43mm	7mm
AS10684	Chrome	167mm	43mm	7mm
AS10685	Satin Chrome	167mm	43mm	7mm
AS10686	Black	167mm	43mm	7mm

HOPPE UPVC Tilt & Slide Patio Furniture - Int / Ext



Features

- 2 hole fix lever
- Internal/external handle with concealed fixings
- To suit doors thickness 68-73mm
- The handle will engage in four positions at 90 degree increments



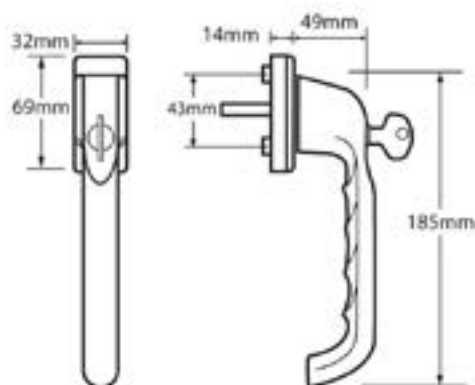
Product Code	Finish	Handle Length	Handle Projection	Plate Height	Plate Width	Screw Centres	Spindle	Mfr Ref.
L15387	Gold	173mm	55mm	69mm	32mm	43mm	7mm	1887483
L15388	White	173mm	55mm	69mm	32mm	43mm	7mm	1887475

HOPPE UPVC Tilt & Slide Patio Furniture - Internal



Features

- Handle for internal use only with fully concealed fixings
- Turn key to lock / Turn key to release
- The handle will engage in four positions at 90 degree increments and can only be locked in the closed position by key no 4W1323



Product Code	Finish	Handle Length	Handle Projection	Plate Height	Plate Width	Screw Centres	Spindle	Mfr Ref.
L15368	Gold	185mm	49mm	69mm	32mm	43mm	7mm	819492
L15367	Silver	185mm	49mm	69mm	32mm	43mm	7mm	823536
L15369	White	185mm	49mm	69mm	32mm	43mm	7mm	822133

## SCHLOSSER Commercial Tilt &amp; Turn Window Handle

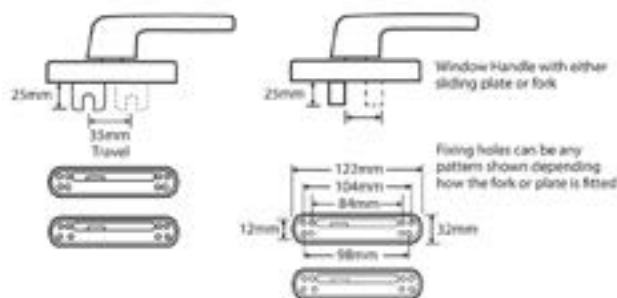


### Features

- Complete with blade or fork option.
- Supplied with 2 keys
- Supplied with 2 fixing bolts.
- Interchangeable fixing position.
- The handle will engage in four positions.
- The handle can be locked by key in top and bottom position.

### Operation

The Schlosser Replacement Tilt & Turn Window Handle features a unique design which allows for an interchangeable fork or flat plate fitting. This is ideal for commercial jobs where the fitting type of the original handle may be unknown. The handle comes with both fork and flat plate fittings, 2 keys and 2 fixing screws.



Product Code	Finish	Type	Mfr Ref.
L21806	Silver	Inline	TNT 5711
L21805	White	Inline	TNT 5711

## SIEGENIA Tilt &amp; Turn Window Handle

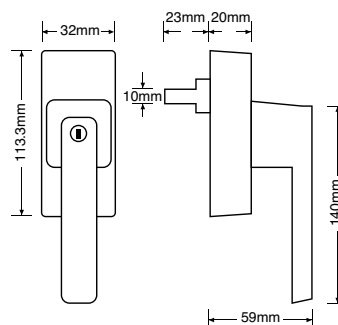


### Features

- Blade Drive
- For use on Aluminium Windows & Doors
- Tilt & Turn Operation

### Operation

The Siegenia Si-FG Line LM tilt & Turn in-line handle has a tilt & turn operation and is supplied with a blade drive, ideal for aluminium applications.



Product Code	Boxed Quantity	Finish	Type	Mfr Ref.
L23710	10	Silver	Inline	5SIE4027
L23711	10	White	Inline	5SIE4026

## MACO Multi Trend 9mm Offset Tilt -First Scissor Stay Arm With Hinge - Invisible



### Features

- Tilt-first scissor stay arm with hinge to suit invisible sash rebates
- 7mm screw axis
- 9mm offset
- Maximum sash weight: 100Kg

### Operation

Maco 9mm offset tilt-first scissor stay arm with hinge and 7mm screw axis to suit the Maco Multi Trend range of products.

### Notes

100kg maximum sash weight



Product Code	Finish	Handed	Screw Size	Size	Mfr Ref.
L25048	Silver	Right Hand	7mm screw axis	0	207685
L25049	Silver	Left Hand	7mm screw axis	0	207686
L25050	Silver	Right Hand	7mm screw axis	1-2	207695
L25051	Silver	Left Hand	7mm screw axis	1-2	207696

## MACO Multi Trend 13mm Offset Tilt -First Scissor Stay Arm With Hinge - Invisible



### Features

- Tilt-first scissor stay arms with hinge to suit invisible sash rebates
- 7mm screw axis
- 13mm offset
- Maximum sash weight: 100Kg

### Operation

Maco 13mm offset tilt-first scissor stay arm with hinge and 7mm screw axis to suit the Maco Multi Trend range of products.

### Notes

100Kg maximum sash weight



Product Code	Finish	Handed	Screw Size	Size	Mfr Ref.
L25052	Silver	Right Hand	7mm screw axis	0	207687
L25053	Silver	Left Hand	7mm screw axis	0	207688



## MACO Multi Trend BS 15 VHH Turn & Tilt Drive Gear

### Features

- Turn & tilt drive gear
- To suit 2-sashed windows
- Must be used in conjunction with a shootbolt
- Available in a range of sizes

### Operation

Maco BS 15 VHH turn & tilt drive gear to suit the Maco Multi Trend range of products. Suitable for use on 2-sashed windows and must be used in conjunction with a shoot bolt.



Product Code	Backset	Finish	Cam	Mfr Ref.	Notes	Size
L25054	15mm	Silver	0	52422	Cams included: 0 Sash lifters included: 0	Size 1 500-650
L25055	15mm	Silver	0	GR1A 52423	Cams included: 0 Sash lifters included: 1	Size 1A 601-900
L25056	15mm	Silver	0	GR2A 52424	Cams included: 0 Sash lifters included: 1	Size 2A 751-900
L25057	15mm	Silver	1	GR3 52425	Cams included: 1 Sash lifters included: 1	Size 3 901-1300
L25058	15mm	Silver	1	GR4 52426	Cams included: 1 Sash lifters included: 1	Size 4 1301-1800
L25059	15mm	Silver	2	GR5 52427	Cams included: 2 Sash lifters included: 1	Size 5 1801-2350

## MACO Multi Trend BS 6.5 FHH Turn-only Drive Gear



### Features

- Turn only drive gear
- Available in a range of sizes

### Operation

Maco BS 6.5 FHH turn-only drive gear to suit the Maco Multi Trend range of products.



Product Code	Backset	Finish	Size	Mfr Ref.
L25060	6.5mm	Silver	Size 0 451-600	GR1 52415
L25061	6.5mm	Silver	Size 1 601-800	GR1A 52416

## MACO Multi Trend VHH Turn &amp; Tilt Drive Gear



### Features

- Turn & tilt drive gear
- To suit 2-sashed windows
- Must be used in conjunction with a shootbolt
- Available in a range of sizes

### Operation

The Maco VHH turn & tilt drive gear to suit the Maco Multi Trend range of products has a 6.5mm backset and is suitable for use on 2-sashed windows, please note that it must be used in conjunction with a shoot bolt.

Product Code	Backset	Finish	Notes	Size	Mfr Ref.
L25062	6.5mm	Silver	Cams included: 0 Sash lifters included: 0	Size 2 651-900	GR2A 54564
L25063	6.5mm	Silver	Cams included: 1 Sash lifters included: 1	Size 3 901-1300	GR3 52429
L25064	6.5mm	Silver	Cams included: 1 Sash lifters included: 1	Size 4 1301-1800	GR4 52430
L25065	6.5mm	Silver	Cams included: 2 Sash lifters included: 1	Size 5 1801-2350	GR5 52431

## MACO Multi Trend Scissor Stay Hinge Cover Cap



### Features

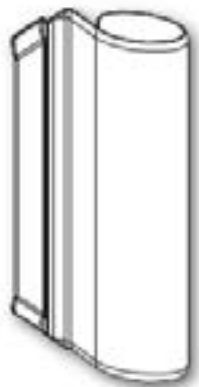
- Scissor stay hinge cover cap
- Available in white and brown

### Operation

MACO Multi Trend scissor stay hinge cover cap and is available in a range of finishes.

Product Code	Finish	Mfr Ref.
L25066	White	42083
L25067	Brown	42189

## MACO Multi Trend Cover Cap For Rebated Scissor Stay Support Arm



### Features

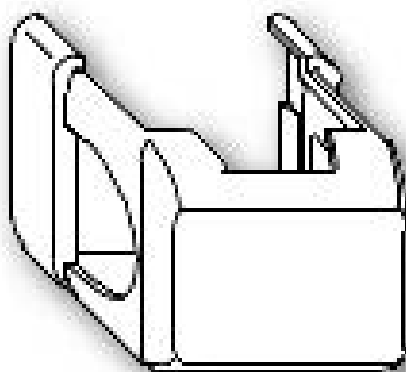
- Cover cap for rebated scissor stay support arm
- Available in white and brown

### Operation

Maco Multi Trend cover cap for rebated scissor stay support arm and is available in a choice of finishes.

Product Code	Finish	Mfr Ref.
L25068	White	42084
L25069	Brown	42192

## MACO Multi Trend Pivot Post Cover Cap



### Features

- Pivot post cover cap
- Available in two sizes; short and long
- Available in white and brown

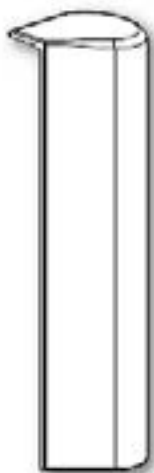
### Operation

The Maco Multi Trend pivot post cover cap is available in a range of sizes and finishes.

Product Code	Finish	Notes	Mfr Ref.
L25070	White	Short Version	41742
L25071	Brown	Short Version	42195
L25072	White	Long Version	41743
L25073	Brown	Long Version	42208



## MACO Multi Trend Cover Caps For Rebated Corner Supports



### Features

- Cover caps for rebated corner supports
- Available in white and brown
- Right and Left options available

### Operation

Maco Multi Trend cover caps for rebated corner supports, they are available in right and left handings and are available in a choice of finishes.

Product Code	Finish	Handed	Mfr Ref.
L25074	White	Right Hand	41740
L25075	Brown	Right Hand	42599
L25076	White	Left Hand	41741
L25077	Brown	Left Hand	42598

## MACO Multi Trend Turn Restrictor



### Features

- Turn restrictor
- Surface mounted
- Limits turn to 90°

### Operation

Maco Multi Trend surface mounted PVC 90° turn restrictor, it allows the window to be tilted whilst preventing it from being fully opened.

Product Code	Finish	Mfr Ref.
L25078	Silver	357081

## MACO Multi Trend 95430U Tech 100 Door Restrictor



### Features

- 90° brake stay and restrictor for doors
- Non handed
- Fast and simple to fit
- Suits all euro groove profile systems

### Operation

The Maco Multi Trend Tech 100 is a 90° friction brake restrictor for doors and larger windows and is suitable for use on applications with a euro groove profile.

Product Code	Finish	Mfr Ref.
L25079	Silver	95430U

## SIEGENIA KF12 Stay Hinge



### Features

- Non-Handed
- Steel Construction

### Operation

KF12 non-handed stay hinge for use with scissor stays in tilt & turn applications

### Associated Products

**SIEGENIA Scissor Stay**

L21809	GR30 (290mm - 570mm)
L21810	GR35 (571mm - 800mm)
L21811	GR50 (801mm - 1030mm)
L21812	GR55 (1031mm - 1260mm)



Product Code	Mfr Ref.
L22036	351530

## SIEGENIA Scissor Stay

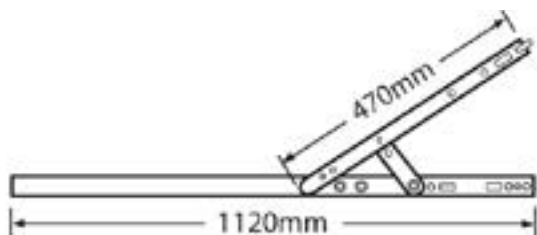


## Features

- Tilt before turn Scissor stays
- Variable sizes to suit Siegenia Si-Line

## Associated Products

SIEGENIA KF12 Stay Hinge  
L22036 351530



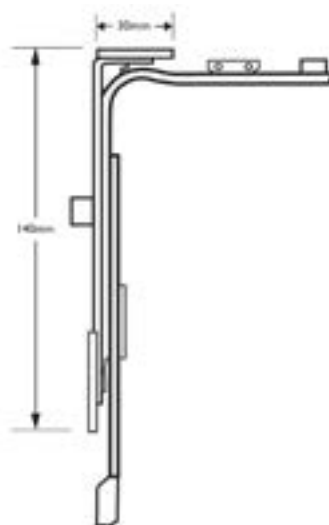
Product Code	Length	Mfr Ref.
L21809	290mm - 570mm	350220
L21810	571mm - 800mm	350222
L21811	801mm - 1030mm	350224
L21812	1031mm - 1260mm	350226

## SIEGENIA Short Corner Drive



## Features

- Vso short corner
- Designed to fit size range 290mm to 410mm



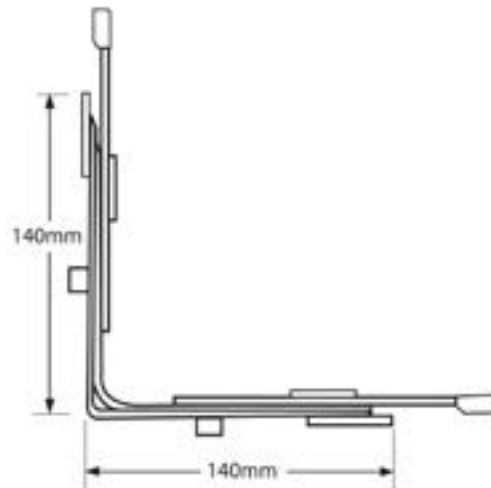
Product Code	Length	Mfr Ref.
L21808	290mm - 410mm	320002

## SIEGENIA Standard Bottom Corner Drive



### Features

- VSU Tilt before turn corner drive
- The size is designed to fit all windows in the range.



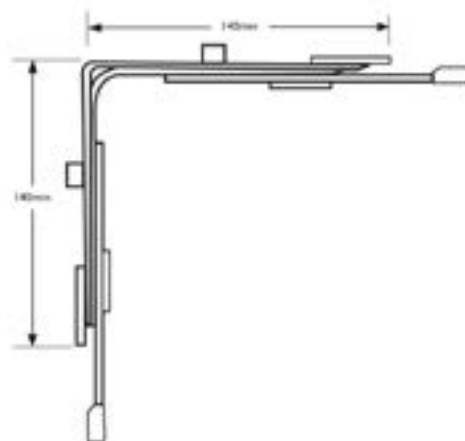
Product Code	Mfr Ref.
L21814	320250

## SIEGENIA Standard Corner Drive



### Features

- VSO Corner drive
- Designed to fit size range 411mm to 1570mm



Product Code	Length	Mfr Ref.
L21807	411mm - 1570mm	320000

## SIEGENIA Standard Hinge Assembly



### Features

- To suit tilt before turn gear



Product Code	Mfr Ref.
L21815	311100



» Patio  
**Bi-fold**

---

Furniture	<b>746 - 747</b>
Centre Case	<b>748</b>
Accessories	<b>749 - 751</b>

## DEBAR Verso Handle



### Features

- Handle tilts 40mm for improved grip
- Concealed screws in closed position
- Classic design to suit residential and commercial applications
- To suit Bi-fold Doors
- Robust make for operating heavy doors
- Available in a selection of popular finishes

### Overview

The Verso range of Bi-fold Door Handles from Debar combines classic aesthetics with a robust, functional design. Engineered with the end user in mind, these handles were designed to take the pain out of opening and closing heavy Bi-fold Doors. This high quality Bi-fold door handle available in a range of stylish finishes to suit both commercial and residential applications.

Product Code	Finish	Screw Centres	Length	Width	Depth
L26712	Grey	43mm	154mm	25mm	16mm
L26713	Black	43mm	154mm	25mm	16mm
L26714	Polished Chrome	43mm	154mm	25mm	16mm
L26715	Gold	43mm	154mm	25mm	16mm
L26716	Satin Chrome	43mm	154mm	25mm	16mm
L26717	White	43mm	154mm	25mm	16mm

## DEBAR Verso Handle Euro Profile



### Features

- Euro profile
- Handle tilts 40mm for improved grip
- Concealed screws in closed position
- Classic design to suit residential and commercial applications
- To suit Bi-fold Doors
- Robust make for operating heavy doors
- Available in a selection of popular finishes

### Overview

The Verso range of Euro Profile Bi-fold Door Handles from Debar combines classic aesthetics with a robust, functional design. Engineered with the end user in mind, these handles were designed to take the pain out of opening and closing heavy Bi-fold Doors. This high quality Bi-fold door handle is available in a range of stylish finishes to suit both commercial and residential applications.

Product Code	Finish	Screw Centres	Length	Width	Depth
L26706	Grey	43mm	199mm	25mm	16mm
L26707	Black	43mm	199mm	25mm	16mm
L26708	Polished Chrome	43mm	199mm	25mm	16mm
L26709	Gold	43mm	199mm	25mm	16mm
L26710	Satin Chrome	43mm	199mm	25mm	16mm
L26711	White	43mm	199mm	25mm	16mm

## DEBAR Vivo Handle



### Features

- Handle tilts 30mm for improved grip
- Concealed screws in closed position
- Contemporary design to suit residential and commercial applications
- To suit Bi-fold Doors
- Robust make for operating heavy doors
- Available in a selection of popular finishes

### Overview

The Vivo range of Bi-fold Door Handles from Debar combines classic aesthetics with a robust, functional design. Engineered with the end user in mind, these handles were designed to take the pain out of opening and closing heavy Bi-fold Doors. This high quality Bi-fold door handle is available in a range of stylish finishes to suit both commercial and residential applications.

Product Code	Finish	Screw Centres	Length	Width	Depth
L26724	Grey	43mm	157mm	25mm	15mm
L26725	Black	43mm	157mm	25mm	15mm
L26726	Polished Chrome	43mm	157mm	25mm	15mm
L26727	Gold	43mm	157mm	25mm	15mm
L26728	Satin Chrome	43mm	157mm	25mm	15mm
L26729	White	43mm	157mm	25mm	15mm

## DEBAR Vivo Handle Euro Profile



### Features

- Euro Profile
- Handle tilts 30mm for improved grip
- Concealed screws in closed position
- Contemporary design to suit residential and commercial applications
- To suit Bi-fold Doors
- Robust make for operating heavy doors

Available in a selection of popular finishes

### Overview

The Vivo range of Euro Profile Bi-fold Door Handles from Debar combines contemporary aesthetics with a robust, functional design. Engineered with the end user in mind, these handles were designed to take the pain out of opening and closing heavy Bi-fold Doors. This high quality Bi-fold door handle is available in a range of stylish finishes to suit both commercial and residential applications.

Product Code	Finish	Screw Centres	Length	Width	Depth
L26718	Grey	43mm	204mm	25mm	15mm
L26719	Black	43mm	204mm	25mm	15mm
L26720	Polished Chrome	43mm	204mm	25mm	15mm
L26721	Gold	43mm	204mm	25mm	15mm
L26722	Satin Chrome	43mm	204mm	25mm	15mm
L26723	White	43mm	204mm	25mm	15mm



## DEBAR Robus Gearbox



### Features

- Corrosion resistant
- Material: Die Cast Zinc
- Euro profile
- Threaded rod connections for easy adjustment (up to 15mm)
- 23mm Shootbolts
- Accepts both the Verso & Vivo handle ranges from Debar

### Overview

The Robus Gearbox from Debar is designed for use with bi-folding door sets. This Euro profile gearbox features a slim body and 8mm threaded rods.

Product Code	Spindle	Screw Centres	Centres	Case Height	Case Width	Rods
L26730	Single	43mm	62mm	231mm	35mm	8mm

## DEBAR Robus Heavy Duty Gearbox



### Features

- Corrosion resistant
- Material: Steel
- Euro profile
- Threaded rod connections for easy adjustment (up to 15mm)
- 23mm Shootbolts
- Accepts both the Verso & Vivo handle ranges from Debar

### Overview

The Robus Gearbox from Debar is designed for use with bi-folding door sets. This heavy duty steel gearbox features a Euro profile, a slim body and threaded rods.

Product Code	Spindle	Screw Centres	Centres	Case Height	Case Width	Rods
L26731	Single	43mm	62mm	231mm	35mm	8mm
L26732	Single	43mm	62mm	231mm	35mm	10mm

## DEBAR Protec 26mm Magnetic Door Holder To Suit Flat Handle



### Features

- Central fixing point with anti-rotation grub screw
- Length: 26mm
- Magnetic door holder to suit flat handle operated Bi-fold Doors
- Supplied with necessary fixings
- Designed to hold the swing door to the adjacent panel
- Fitted with a translucent polyurethane pad to cushion impact and protect from damage

### Overview

The Protec range of Magnetic Door Holders from Debar can be used to hold the swing door of your Bi-folding door set to the adjacent panel. This helps to reduce damage to the doors and mechanism by creating a stable set of doors to move and stack. These discreet door holders are available in a variety of finishes to match the both the extensive range of Bi-fold door furniture from Debar.

Product Code	Finish	Pack Quantity	Diameter	Length
L26736	Grey	Pair	30mm	26mm
L26737	Black	Pair	30mm	26mm
L26738	Polished Chrome	Pair	30mm	26mm
L26739	Gold	Pair	30mm	26mm
L26740	Satin Chrome	Pair	30mm	26mm
L26741	White	Pair	30mm	26mm

## DEBAR Protec 60mm Magnetic Door Holder To Suit Lever/Lever Handle



### Features

- Central fixing point with anti-rotation grub screw
- Length: 60mm
- Magnetic door holder to suit flat handle operated Bi-fold Doors
- Supplied with necessary fixings
- Designed to hold the swing door to the adjacent panel
- Fitted with a translucent polyurethane pad to cushion impact and protect from damage

### Overview

The Protec range of Magnetic Door Holders from Debar can be used to hold the swing door of your Bi-folding door set to the adjacent panel. This helps to reduce damage to the doors and mechanism by creating a stable set of doors to move and stack. These discreet door holders are available in a variety of finishes to match the both the extensive range of Bi-fold door furniture from Debar.

Product Code	Finish	Pack Quantity	Diameter	Length
L26742	Grey	Pair	30mm	60mm
L26743	Black	Pair	30mm	60mm
L26744	Polished Chrome	Pair	30mm	60mm
L26745	Gold	Pair	30mm	60mm
L26746	Satin Chrome	Pair	30mm	60mm
L26741	White	Pair	30mm	60mm

## DEBAR Pull Hinge To Suit Visofold 1000



### Features

- Pull handle hinge
- Available to both open-out or open-in doors
- To suit the Visofold 1000 bi-fold door system

### Overview

This easy-to-use Pull Handle Hinge from Debar is suitable for use with the Visofold 1000 bi-folding door system.

Product Code	Finish	Opening	Height	Width	Suits Product
L26748	Black	Open Out	130mm	59mm	Visofold 1000
L26749	White	Open Out	130mm	59mm	Visofold 1000
L26750	Black	Open In	130mm	59mm	Visofold 1000
L26751	White	Open In	130mm	59mm	Visofold 1000

## DEBAR Shootbolt Accessory Kit To Suit Visofold 1000



### Features

- Shootbolt accessory kit
- Kit includes: Cones, Guides, Rods & Screws
- To suit the Visofold 1000 bi-fold door system

### Overview

Shootbolt accessory kit from Debar to suit the Visofold 1000 bi-folding door system.

Product Code	Weight	Manufacturer Reference
L26733	350g	DBSP-06/10

## DEBAR Steel Threaded Rod



### Features

- All thread rods for use with shootbolts
- Zinc plated

### Overview

All thread rods from Debar for use with bi-fold door shootbolts.

Product Code	Type	Length	Diameter	Pack Quantity	Finish
L26734	M8	1200mm	4.8mm	1	Zinc Plated
L26735	M8	1500mm	4.8mm	1	Zinc Plated



# BS 5L Deadlocks & Sashlocks



- Insurance & police approved
- BS3621:2007 compliant
- Supplied with 2 plated steel keys
- Available in Polished Brass & Stainless Steel

**We also have a wide range  
of Locks & Ironmongery  
in stock!**

[www.asec.co.uk](http://www.asec.co.uk)

# Secondary Security

---

ASEC	<b>754 - 755</b>
ERA	<b>756</b>
INGERSOLL	<b>757</b>
IVESS LOCK	<b>757</b>
PATLOCK	<b>758</b>
WINLOCK	<b>759</b>
YALE	<b>760</b>

## ASEC Multi Purpose Bolt

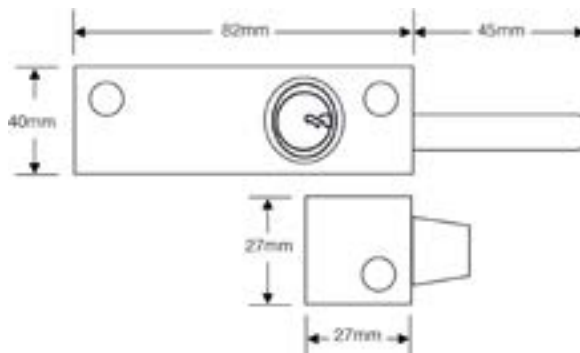


## Features

- Suitable for aluminium and wooden sliding and hinged doors
- Long throw bolt makes it ideal for patio and garage doors
- Rotating steel bolt resists hack sawing

## Overview

Multi purpose bolt with multiple applications including, sliding doors top or bottom fix, hinged doors. Various strike plates included to suit recessed or flush style doors.



Product Code	Finish
AS3402	Chrome Plated
AS3401	Polished Brass
AS3400	White

## ASEC Patio Lock

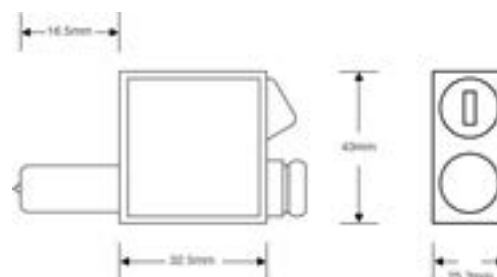


## Features

- Suitable for sliding patio doors and windows
- Supplied c/w fixing screws
- Push bolt to lock, released by use of the key.
- 60 x 9 mm overall bolt size

## Overview

A patio lock designed to fit to the frame and lock into the door. Also available in keyed alike for multiple applications



Product Code	Depth	Finish	Height	Width	Keyed	Keys Supplied
AS5056	33mm	Silver	42mm	25mm	KA Pair	2
AS5052	33mm	Silver	42mm	25mm	KD	2
AS5057	33mm	White	42mm	25mm	KA Pair	2
AS5053	33mm	White	42mm	25mm	KD	2

ASEC Patio Push Lock



Features

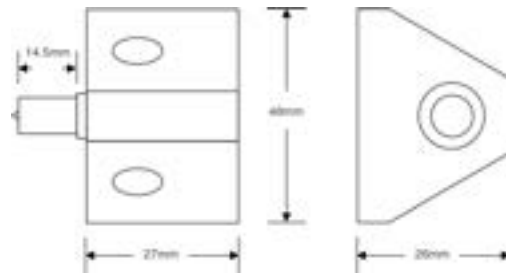
- Suitable for most types of wooden, aluminium and UPVC sliding patio doors
- Supplied c/w fixing screws
- Push bolt to lock, released by use of the key.

Overview

A patio lock designed to fit to the frame and lock into the door.

Associated Products

ERA 682-56 Window Key To Suit 800 / 900  
L00070 682-56



Product Code	Finish	Keyed
AS3404	Grey	KD
AS3403	White	KD

ASEC Universal Press Bolt

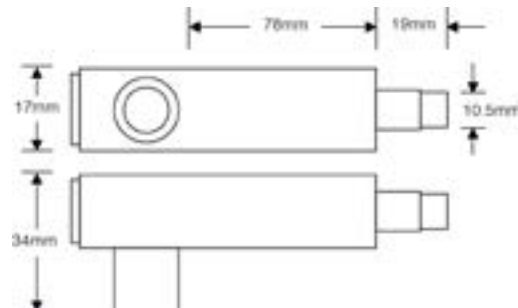


Features

- Suitable for wood and metal doors and windows
- Available with standard or cut keys
- Supplied c/w soffit keep plate, 1 ferrule and fixing screws
- Hardened steel bolt rotates to resist sawing
- Steel spring bolt is pushed to lock and released by use of the key.

Overview

A multi purpose key operated (either standard or cut key) bolt ideal for locking doors windows or sliding patios.



Product Code	Finish	Length	Notes	Keyed
AS3407	Polished Brass	78mm	Cut Key	KD
AS3406	White	78mm	Cut Key	KD
AS3405	White	78mm	Standard Key	KA



## ERA 100 Patio Lock



### Features

- Suitable for most types of wooden, aluminium and UPVC sliding patio doors
- Locks on the push of the cylinder, key required to unlock
- Supplied c/w fixing screws.
- All fixings are concealed when in the locked position
- 2 keys supplied

### Overview

The ERA 100 Patio Door Lock can be fitted to most types of patio doors or windows.

### Associated Products

ERA 682-56 Window Key To Suit 800 / 900  
L00070 682-56

Product Code	Finish	Height	Length	Width	Keyed	Keys Supplied	Mfr Ref.
L14512	Brown	27mm	46mm	26mm	KD	1	100-22
705	Grey	27mm	46mm	26mm	KD	1	100-42
L307	White	27mm	46mm	26mm	KD	1	100-12

## ERA 807 Multi Purpose Bolt



### Features

- Suitable for wood and metal, hinged and sliding doors.
- Long bolt throw makes it ideal for patio and garage doors
- Hardened steel bolt rotates to resist sawing.
- Simply press to lock and use the key to unlock
- Fixings to suit all types of jamb
- Supplied c/w range of keep plates/ferrules and fixing screws

### Overview

The ERA Multi-Purpose Bolt can be fitted to aluminium and wooden sliding doors, hinged doors and garage doors.

### Associated Products

ERA 682-56 Window Key To Suit 800 / 900  
L00070 682-56

Product Code	Body Length	Finish	Height	Length	Width	Overall Bolt Size	Keys Supplied	Mfr Ref.
2853	82mm	Polished Brass	29mm	82mm	27mm	140mm	2	807-32
6873	82mm	Satin Chrome	29mm	82mm	27mm	140mm	2	807-52
6775	82mm	White	29mm	82mm	27mm	140mm	2	807-12

Ingersoll PDL1 Patio Lock



Features

- Suitable for most types of wooden and aluminium sliding patio doors (not UPVC)
- Supplied c/w fixing screws
- Push bolt to lock, released by use of the key.

Associated Products

SILCA ING4R To Suit Ingersoll  
8308      ING4R

Product Code	Finish	Depth	Height	Width	Keyed	Keys Supplied	Mfr Ref.
7525	Satin Chrome	35mm	48mm	25mm	KD	2	PDL1

IVESS Anti-Lift Patio Lock



Features

- Simple to operate
- Easy to use handle knob
- The spring is not too strong to pull
- The placement and angle of the locking pin prevents the door from being lifted up and also prevents the door from being pulled out
- The more upward pressure that is exerted on the door the tighter it gets in the locking engagement

Overview

The Ivess Lock is a security device which prevents patio doors from being lifted off its rails from the outside allowing access to your home. The simply installed device is a keyless locking system that improves home security in minutes.

Product Code	Finish
L21669	Silver
L24032	White

## PATLOCK Security Lock for French Doors &amp; Conservatories



### Features

- Supplied with 2 tamper resistant spindles
- Removes risk of lock snapping
- Instant French door security lock
- To be used as an additional security device and not as a replacement for existing locks
- Easy to install / fit
- Unique patent registered design
- UK Manufactured
- Secured By Design Approved

### Overview

The Patlock is a new kind of lock specifically designed to stop intruders quickly when trying to enter your home through your French doors. This home security product removes the risk of lock snapping, as the doors are held secure without any locks in the door. Combined with the fact that the Patlock acts as a visual deterrent for would be intruders, this product provides home owners with a peaceful and safe state of mind. The Patlock comes with a pair of tamper resistant spindles and is easy to install.



Product Code	Finish	Packaging	Suits Product
L23633	WH	Boxed	French Doors

## WINLOCK Patio Spring Bolt - 47mm Throw



### Features

- Push button and turn 90° clockwise to lock
- 47mm throw
- Easy to install

### Overview

This Winlock Patio Spring Bolt lock is an easy to install secondary security device that locks / unlocks by pushing and twisting the button 90° clockwise / anti-clockwise.



Product Code	Finish	Notes	Mfr Ref.
L25035	White	Throw: 47mm	2705701
L25036	Chrome	Throw: 47mm	2705702

## WINLOCK Patio Spring Bolt - 24mm Throw



### Features

- Push button to lock & unlock
- 24mm throw
- Easy to install

### Overview

This Winlock Patio Spring Bolt lock is an easy to install secondary security device that locks / unlocks with the push of a button.



Product Code	Finish	Notes	Mfr Ref.
L25037	White	Throw: 24mm	2710001
L25038	Chrome	Throw: 24mm	2710002
L25039	Polished Brass	Throw: 24mm	2710005

## YALE 8K119 Patio Lock



### Features

- Suitable for most types of sliding aluminium doors
- Red indicator clearly shows when lock is not secured
- Supplied c/w fixing screws
- Simply press to lock and use the key to unlock

### Associated Products

[SILCA UNI1 Metal Head Blank To Suit Leyland](#)  
6217 Metal Head

Product Code	Finish	Height	Length	Width	Keyed	Keys Supplied
2809	Silver	23mm	69mm	25mm	KD	2
8404	White	23mm	69mm	25mm	KD	2

## YALE P114 Patio Lock



### Features

- Suitable for most types of sliding patio doors
- Supplied c/w fixing screws
- Simply press to lock and use the key to unlock

### Associated Products

[SILCA YA17 To Suit Yale](#)  
6454 YA17

Product Code	Finish	Height	Keyed	Keys Supplied	Length	Width
3038	Grey	27mm	KD	2	47mm	25mm

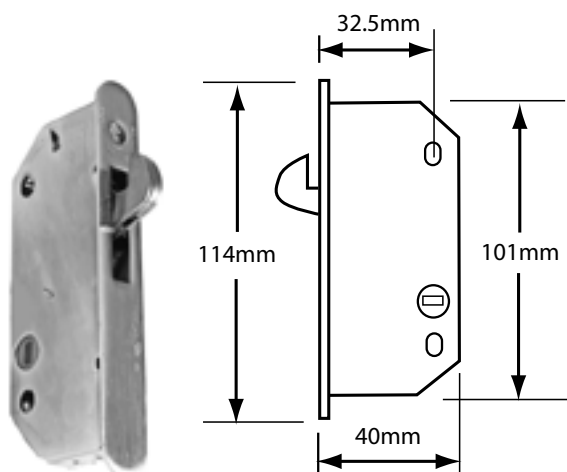
» Patio

# Accessories

---

Locking Points	<b>762 - 763</b>
Wheels	<b>763 - 765</b>
Cylinders	<b>766 - 767</b>
Miscellaneous	<b>767 - 772</b>

## ADAMS RITE 5015 Deadlock To Suit Patio Doors



## Features

- Designed for timber and aluminium doors.
- Suitable for narrow stile sliding patio doors

## Associated Products

## Weiser 8346 Patio Lock Cylinder

4371 CP KD Single  
4375 CP KA Pair  
L20953 PB KD

## ADAMS RITE Turn To Suit 5015 Deadlock

L18284 5015 Turn

## ADAMS RITE Strike To Suit 5015 Deadlock

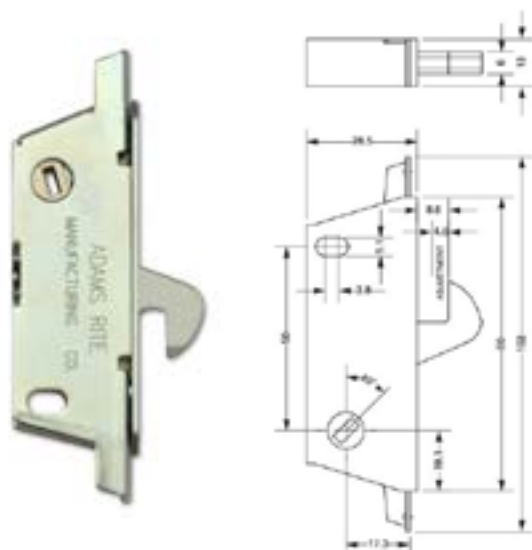
L18282 5015 Strike

## ADAMS RITE Backplate To Suit 5015 Deadlock

L18283 5015 Backplate

Product Code	Backset	Case Depth	Case Height	Finish	Forend Length	Forend Width	Mfr Ref.
L18281	32.5mm	40mm	101mm	Zinc Plated	114mm	15.5mm	5015

## ADAMS RITE MS1848 Patio Mortice Hookbolt



## Features

- Suitable for narrow stile sliding patio doors
- Available in both deadlocking and self latching versions

## Associated Products

## Weiser 8346 Patio Lock Cylinder

4371 CP KD Single  
4375 CP KA Pair  
L20953 PB KD

## ADAMS RITE 4801 Strike

4524 SAA Patio

## ADAMS RITE 1000 11 32SA Long Spindle Thumb Turn

4715 1000 11 32SA Thumb Turn

Product Code	Backset	Case Depth	Forend Length	Forend Width	Notes	Mfr Ref.
4349	17mm	28mm	102mm	13mm	Deadbolt	MS1848-29
4857	17mm	28mm	102mm	13mm	Self Latching	MS1848-11

## CISA 45010 Small Oval Hookbolt



### Features

- Suitable for metal sliding doors with very narrow stile
- Supplied c/w 08210-02 double cylinder

### Overview

Hookbolt is locked or unlocked from either side by small oval profile double cylinder.

### Associated Products

#### CISA C2000 Small Oval Double Cylinder

4408	55mm - 27.5/27.5 PB KD
9155	55mm - 27.5/27.5 NP KD
L18279	70mm - 35/35 NP
L18280	70mm - 35/35 PB



Product Code	Backset	Case Depth	Case Height	Forend Length	Forend Width	Mfr Ref.
2977	16mm	30mm	100mm	158mm	20mm	45010

## Adjustable Single Wheel Patio Roller



### Features

- Multi-fit single wheel Patio Roller
- Fully adjustable zinc carriage.
- Steel Rollers
- Supplied as single units



Product Code	Diameter	Height	Length	Width	Mfr Ref.
L18667	32mm	27mm	68mm	17mm	SRZ-S
L18666	38mm	27mm	68mm	17mm	SWPR



## ASEC Tandem Patio Roller



### Features

- Suitable for both timber and UPVC profiles
- 32mm diameter
- Tandem wheels set into a pressed steel carriage
- Height adjustment screws located in the side of the assembly
- 94kg load per roller

### Overview

Tandem patio roller which is suitable for use on both timber & UPVC profiles and can carry a load per roller of 94Kg. This product has a diameter of 32mm, tandem wheels which are set into a pressed steel carriage and incorporates height adjustment screws in the side of the assembly.

Product Code	Finish	Centres	Diameter	Height	Length	Width
AS10469	Steel	17mm	32mm	30mm	36.5mm	17.5mm

## ASEC Patio Roller Tandem Wheels - 35-45mm Adjust



### Features

- Low to High Line Tandem Patio Rollers.
- This wheel provides an adjustable steel carriage with a pair of 32mm diameter Steel wheels.
- Height Adjustment can be made from 35mm - 45mm.
- These Tandem Patio Rollers are sold as a pair.

Product Code	Finish	Height	Mfr Ref.
L18672	Steel	Adjustable	MLDWR

MILA Patio Wheel Inline



Features

- Suitable for Siegenia Aubi Patio Doors.

Product Code	Finish	Height	Length	Width	Mfr Ref.
L18669	Nylon	20mm	58mm	12mm	520564
L18668	Steel	20mm	58mm	12mm	520580

WINLOCK 1 Pair Of Patio Rollers

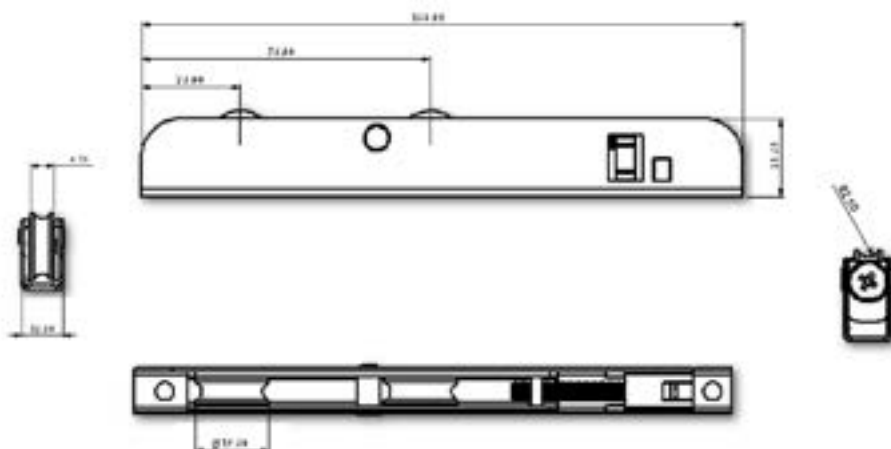


Features

- Ferritic stainless steel case and rollers make this unit ideal for coastal or polluted areas
- Inbuilt 8mm vertical adjustment
- Supplied in pairs
- 120Kg door load per pair

Overview

The Winlock stainless steel patio rollers with 8mm inbuilt vertical adjustment are supplied in pairs and can withstand a 120Kg load.



Product Code	Finish	Height	Length	Width	Mfr Ref.
L25032	Steel	20.5mm	158mm	12mm	PR333

CISA C2000 Small Oval Double Cylinder



Features

- 5 Pin System
- Supplied With 3 Keys
- 30,000 Differs
- Drill Resistant (Hardened Steel Pin)
- Supplied c/w cylinder retaining screw
- Suitable for use with small oval cylinder mortice locks such as CISA 44210

Associated Products

SILCA CS7 To Suit Cisa  
5271 CS7

Product Code	Finish	A Side	B Side	Keyed	Length	Mfr Ref.
9155	Nickel Plated	27.5mm	27.5mm	KD	55mm	08210 02
4408	Polished Brass	27.5mm	27.5mm	KD	55mm	08210 02
L18279	Nickel Plated	35mm	35mm	KD	70mm	08210 13
L18280	Polished Brass	35mm	35mm	KD	70mm	08210 13

CISA C2000 Small Oval K&T Cylinder



Features

- 5 Pin System
- Supplied With 3 Keys
- 30,000 Differs
- Drill Resistant (Hardened Steel Pin)
- Supplied c/w cylinder retaining screw
- Suitable for use with small oval cylinder mortice locks such as CISA 44210

Associated Products

SILCA CS7 To Suit Cisa  
5271 CS7

Product Code	A Side	B Side	Finish	Keyed	Length
7859	27.5mm	T 27.5mm	Nickel Plated	KD	55mm
7860	27.5mm	T 27.5mm	Polished Brass	KD	55mm

Weiser 8346 Patio Lock Cylinder



Features

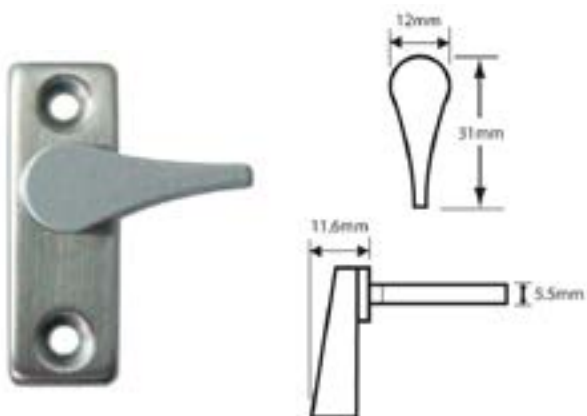
- Replacement cylinder for patio door locks such as Adams Rite 1848

Associated Products

SILCA WE1 To Suit Weiser  
6327 WE1

Product Code	Finish	Height	Keyed	Keys Supplied	Length	Mfr Ref.
4375	Chrome Plated	26mm	KA	2	32mm	8346
4371	Chrome Plated	26mm	KD	2	32mm	8346

ADAMS RITE 1000 11 32SA Long Spindle Thumb Turn



Features

- Suitable for narrow stile sliding patio doors
- Available in both deadlocking and self latching versions

Product Code	Finish	Spindle	Mfr Ref.
4715	Satin Anodised Aluminium	47mm	1000-11-32-682

ADAMS RITE Backplate To Suit 5015 Deadlock



Features

- 2 screw face fix back plate
- Suitable for use with L18284

Product Code	Mfr Ref.
L18283	1016-130

## ADAMS RITE Turn To Suit 5015 Deadlock



### Features

- Thumb turn only
- Suitable for use with L18283

Product Code	Finish	Height	Width	Mfr Ref.
L18284	Silver	31mm	12mm	101511-32-13

## ASEC Mini Patio Track

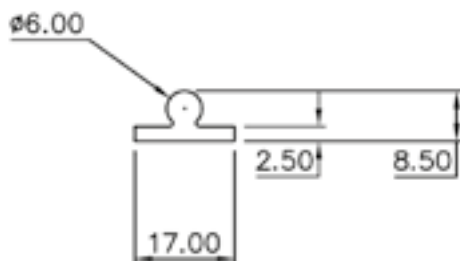


### Features

- Solid metal construction
- Easy to install
- Length: 2.4m
- Width: 17mm

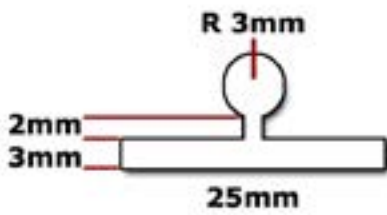
### Overview

Easy to install Asec Mini Patio Track.



Product Code	Length	Width
AS10608	2.4m	17mm

ASEC All Round Patio Track



Features

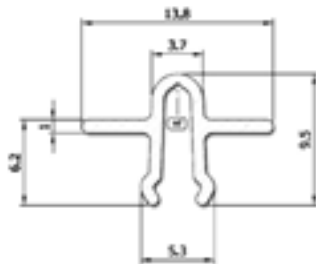
- Solid metal construction
- Easy to install
- Length: 2.4m
- Width: 25mm

Overview

Easy to install Asec All Round Patio Track.

Product Code	Length	Width
AS10609	2.4m	25mm

ASEC Snap It Patio Track



Features

- Solid metal construction
- Easy to install
- Length: 2.4m
- Width: 14mm

Overview

Easy to install Asec Snap-It Patio Track.

Product Code	Length	Width
AS10610	2.4m	14mm

## Asec Knock-In Patio Track

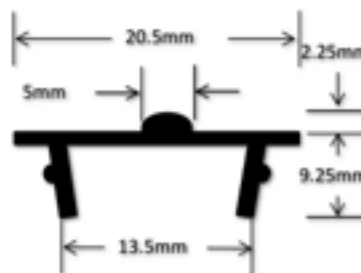


### Features

- Solid metal construction
- Easy to install
- Width: 20.5mm
- Length: 2.4m

### Overview

Easy to install Asec Knock-In Patio Track.



Product Code	Height	Length	Width	Material
AS10665	11.5mm	2.4m	20.5mm	Aluminium

## WINLOCK Patio Bump Stop



### Features

- Fitted horizontally
- Concealed screw fixings
- Manufactured in the UK

### Overview

This Winlock Patio Bump Stop with concealed screw fixings is to be fitted horizontally and is available in a range of finishes.



Product Code	Finish	Height	Length	Width	Mfr Ref.
L25033	White	27.5mm	55mm	3mm - 17mm	PB21
L25034	Black	27.5mm	55mm	3mm - 17mm	PB238