



PXM-20 BT Plus PXM-40 BT Plus VET-20 BT

The worlds only hybrid powered portable X-ray

- Hybrid: Device can be operated by internal battery or by external power supply
 - Great advantage for outdoor radiography
 - Innovative approach by high performance lithium-ion polymer battery
 - Max. 400 exposures by just one charging
- Strong body against external shock and contamination
 - Exclusive remote controller using by hand switch
- WiFi DR interface equipped in VET-20 BT and available for PXM-20 BT Plus and PXM-40 BT Plus



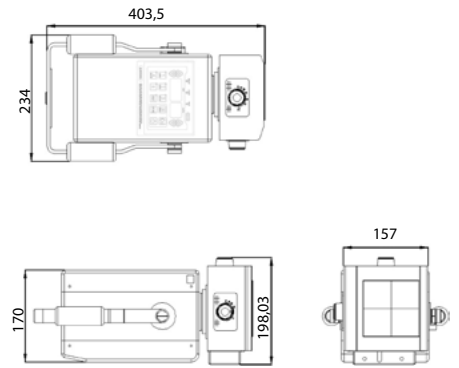
medical **ECONET**
GERMANY

Specifications

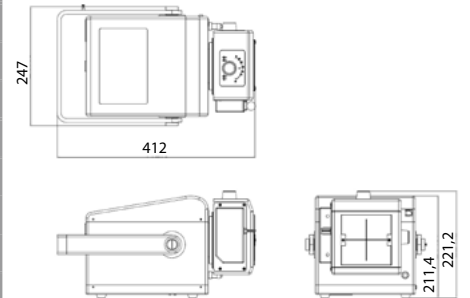
Model	PXM - 20 BT Plus	PXM - 40 BT Plus	VET - 20 BT
Output			
Tube Vol./Current	100 kV / 20 mA	100 kV / 35 mA	90 kV / 20 mA
Voltage range	40 - 100 kV in 1 kV steps	40 - 100 kV in 1 kV steps	50 - 100 kV in 1 kV steps
mAs Range	0,4 mAs - 100 mAs 32 steps	0,4 mAs - 100 mAs 35 steps	0,4 mAs - 20 mAs 25 steps
Max. output	1,6 kW at 80 kV	2,4 kW at 80 kV	1,6 kW at 80 kV
X-ray Tube			
Application	Toshiba D - 124	Toshiba D - 124	OX / 70 CEI
Focal Spot	1,2 mm	1,2 mm	1,2 mm
HU capacity	20 kHU	20 kHU	10 kHU
Collimator			
Max. Light field: 35 cm x 35 cm @ cm SID Min. Light field: 5 cm x 5 cm @ 100 cm SID			
Lamp	LED	LED	cross laser
Auto Timer	30 sec.	30 sec.	30 sec.
Laser Pointer	built-in dual laser	built-in dual laser	built-in dual laser
Power			
Input	110 / 220 VAC (Free-Voltage)	110 / 220 VAC (Free-Voltage)	110 / 220 VAC (Free-Voltage)
Frequency/phase	50 / 60 Hz, single phase	50 / 60 Hz, single phase	50 / 60 Hz, single phase
Voltage comp.	± 10 %	± 10 %	± 10 %
Features			
7 - segment LED read out reversible, Hand switch remote control function			
PROM Memory	15 APR	21 APR	15 APR
Weight	11,2 kg	14,2 kg	6,8 kg
Dimensions	225 x 170 x 340 mm	250 x 214 x 349 mm	203 x 174 x 307 mm
Battery			
Type	Li-polymer	Li-polymer	Li-polymer
Capacity (mAh)	4800	4800	4800
Exposures (approx.)	approx. 400	approx. 200	approx. 400
Charging time	Less than 3 hours	Less than 3 hours	Less than 3 hours

Dimensions

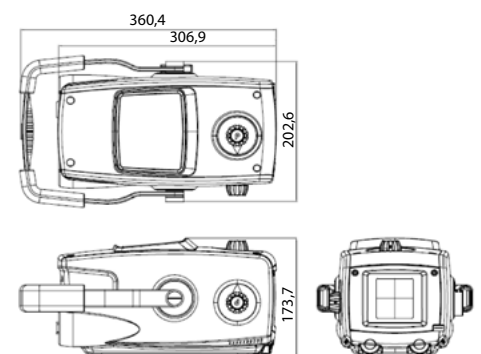
PXM - 20 BT Plus



PXM - 40 BT Plus



VET - 20 BT



Standard Accessory

Charger & Battery



Aluminium Carrying Case



Optional Accessories

PXMS - 1800 Mobile Stand



medical **ECONET**
GERMANY

Im Erlengrund 20, 46149 Oberhausen - Germany

t: +49 (0)208 / 377 890 - 0 info@medical-econet.com
f: +49 (0)208 / 377 890 - 55 www.medical-econet.com
facebook.com/medicaleconetgermany

distributor

*All specifications are subject to change without notice.