

KEL 183 | KEL 183-E

Cable entry frames for supply cables



IP54

Product description

The split cable entry frame KEL 183 enables the user to route cables and tubes with a diameter of up to 75 mm (depending on the frame type) and to seal them in accordance with IP54 / up to NEMA type 12.

For cables up to 35 mm the cable grommets KT can be used. With these split cable grommets, pre-terminated cables can be routed.

For cables up to 75 mm we have created the grommets KTMB for KEL 183. Those are not split and have a defined area for pushing the cable through.

A flat rubber gasket is included in the shipment.

Advantages & benefits

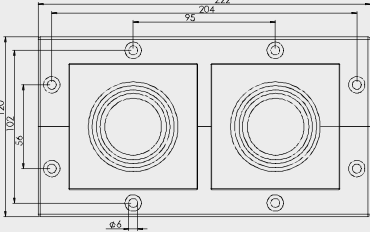
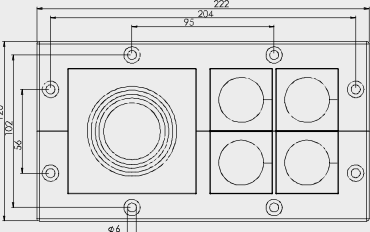
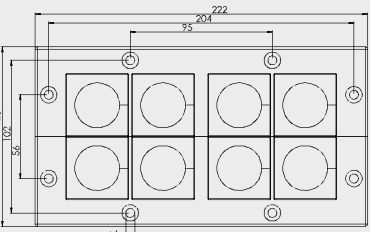
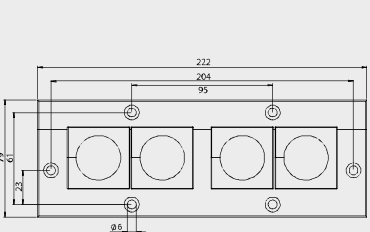
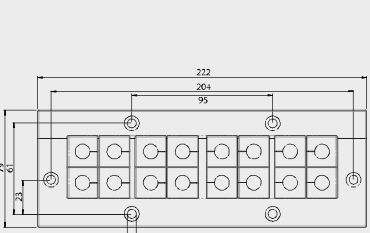
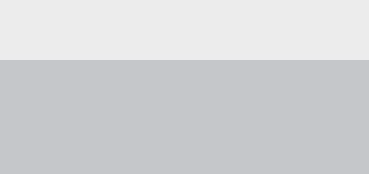
- Installation of cables up to 75 mm
- Grommets allow rigid cables to be properly positioned and oriented during the installation process.
- Retrofits, repairs and maintenance can be done much more easily and quickly

Specifications

Material	Polyamide (PA)
Flame class	UL94-Vo, self-extinguishing
IP rating	IP54 with gasket and correct selection of the cables
NEMA type rating	NEMA type 12 (acc. to UL 50E)
Temperature	- 40°C to + 140°C (static)
Properties	Halogen-free, silicone-free
Cut-out dimensions	See page 192 - 193
Frame depth	17 mm

Accessories

KTMB 183 Cable grommets	33
Cable grommets	44 - 48

Description	Type	Order No.	Grommets KT 183 KT large	PU
	KEL 183 2	47200	2 -	1
	KEL 183 2 with V2A screws	47200.200	2 -	1
	KEL 183 5	47220	1 4	1
	KEL 183 5 with V2A screws	47220.200	1 4	1
	KEL 183 8	47240	- 8	1
	KEL 183 8 with V2A screws	47240.200	- 8	1
	KEL 183-E4	47250	- 4	1
	KEL 183-E4 with V2A screws	47250.200	- 4	1
	KEL 183-E16	47255	16 KT small	1
	NEW KEL 183-E16 with V2A screws	47255.200	16 KT small	1



KTMB 183

Grommets for KEL 183



Type	Order No. grey	Clamping range	PU
KTMB-O	41410	Blank grommet	1
KTMB-P	41415	34 - 44 mm	1
KTMB-Q	41420	44 - 54 mm	1
KTMB-R	41425	54 - 64 mm	1
KTMB-S	41430	64 - 75 mm	1

Product description

The grommets KTMB-P to KTMB-S are suitable for cable diameters up to 75 mm. These grommets can be used with the KEL 183 cable entry frames.

These multi-range grommets are not split and have a defined area for pushing the cable through.

The blank grommet KTMB-O can accept cable sizes within a specified range. The membrane of the KTMB-O can be pierced or cut (cable diameter minus 10 mm) for cables up to 55mm in diameter.

Specifications

Material	Elastomer
Flame class	UL94-Vo, self-extinguishing
IP rating	IP54
NEMA type rating	NEMA type 12 (acc. to UL 50E)
Temperature	- 40°C to + 90°C (static)
Properties	Halogen-free, silicone-free

Compatible with

KEL 183 Cable entry frames 32

KEL-JUMBO

Cable entry frames for supply cables



IP54



Also available with stainless steel screws (V2A).

1

Description	Type	Order No.	Dimension length width height	PU
-------------	------	-----------	--------------------------------------	----

Product description

The KEL-JUMBO cable entry system for installation of cables and conduits with a diameter of up to 65 mm, especially suited for supply cables.

The innovative grommet design with the flex-membrane provides flexing and adjustment of the position for larger and more rigid cables.

We recommend round cut-outs, which can be made using standard punching tools.

Suggested cut-out: cable diameter +15 - 20%. A flat rubber gasket is included in the shipment.

Advantages & benefits

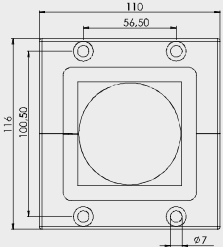
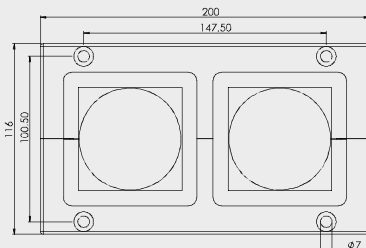
- Installation of cables up to 65 mm
- KTF grommets allow flexing and adjustment of the cable position
- Retrofitting and maintenance can be carried out easily and quickly
- Strain relief according to EN 62444

Specifications

Material	Polyamide (PA)
Flame class	UL94-Vo, self-extinguishing
IP rating	IP54
NEMA type rating	NEMA type 12 (acc. to UL 50E)
Temperature	- 40°C to + 140°C (static)
Properties	Halogen-free, silicone-free
Cut-out dimensions	Round, cable diameter +15%
Frame depth	35 mm

Accessories

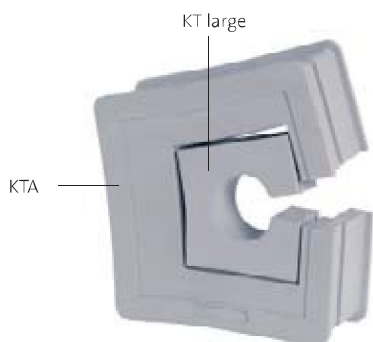
KTF Cable grommets	35
KDR-ESR Base plates	142 - 143
KDR2 Split base plates	144 - 145
MP Module plates	148 - 149

	KEL-JUMBO1	42360	110 × 116 × 35	1
	KEL-JUMBO1 with V2A screws	42360.200	110 × 116 × 35	1
	KEL-JUMBO2	42350	200 × 116 × 35	1
	KEL-JUMBO2 with V2A screws	42350.200	200 × 116 × 35	1



KTF

Grommets for KEL-JUMBO



Type	Order No. grey	Clamping range	PU
KTF 00	42371	Blank grommet	1
KTA	42370	Adapter grommet for KT large	1
KTF 34	42376	33 - 36 mm	1
KTF 38	42379	37 - 40 mm	1
KTF 42	42382	41 - 44 mm	1
KTF 46	42385	45 - 48 mm	1
KTF 50	42388	48 - 52 mm	1
KTF 54	42391	53 - 56 mm	1
KTF 58	42394	56 - 60 mm	1
KTF 62	42397	61 - 65 mm	1

Product description

The grommets KTF are suitable for cable diameters up to 65 mm.

Suitable for KEL-JUMBO cable entry frames.

Cables with a comparatively smaller diameter can be utilised with KEL-JUMBO frames by using an adapter grommet.

Specifications

Material	Elastomer
Flame class	UL94-Vo, self-extinguishing
IP rating	IP54
NEMA type rating	NEMA type 12 (acc. to UL 50E)
Temperature	- 40°C to + 90°C (static)
Properties	Halogen-free, silicone-free

Compatible with

KEL-JUMBO Cable entry frames 34

Accessories

KT Cable grommets, large 46