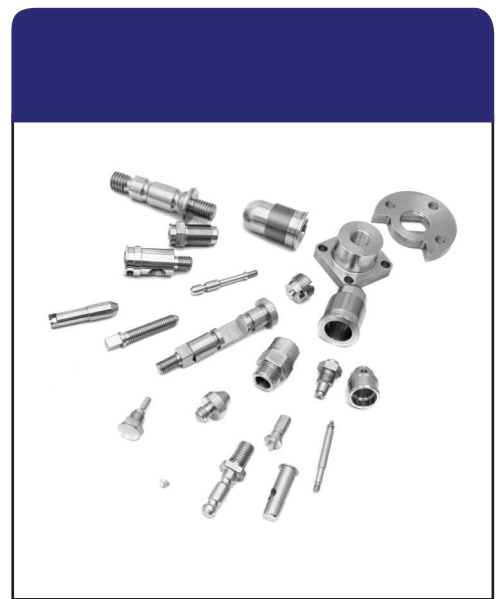
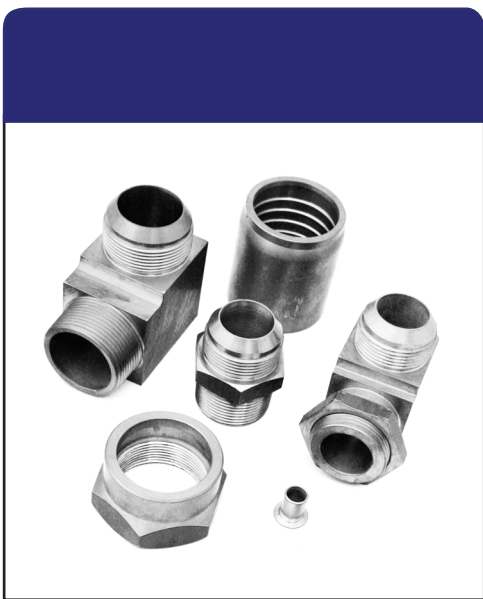


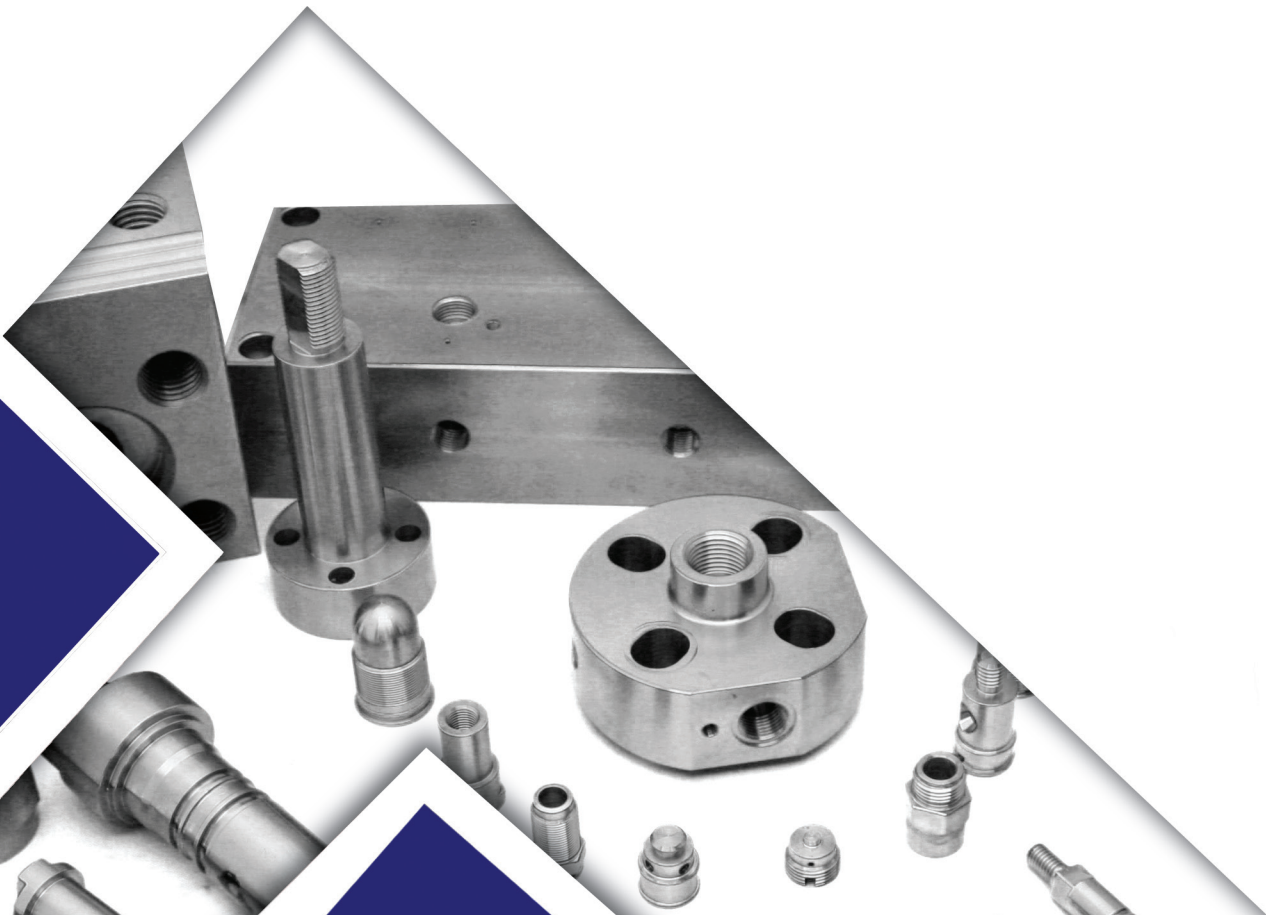
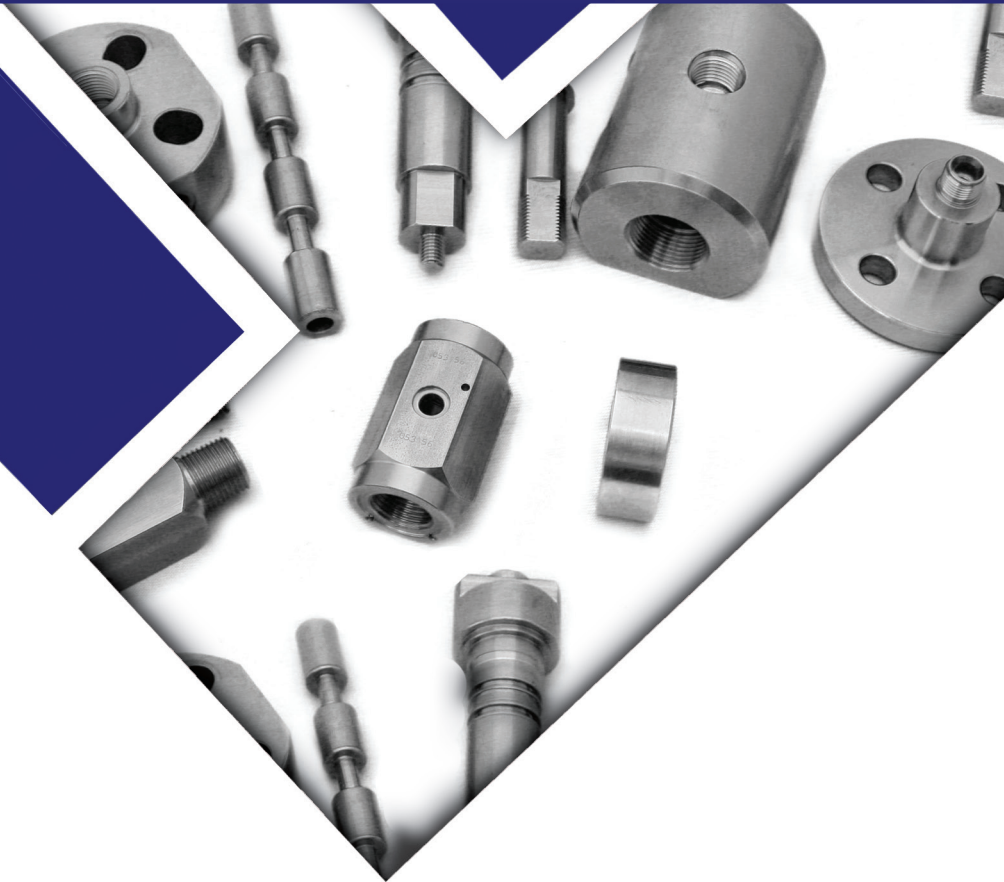
# SPECIALS



Our in-house, fully equipped machine shop is available to process any requirements you may have. Large stocks of raw material and the latest in CNC turning & milling machinery enable us to deliver a complete service with a fast turnaround from receipt of order to delivery. Please discuss your requirements with a member of our sales team.



# SPECIALS



Anglo Stainless Ltd · MKS House · Bretfield Court · Bretton Street Industrial Estate · Dewsbury · West Yorkshire · WF12 9BG

Tel: 01924 430044 Fax: 01924 430229

©Anglo Stainless Ltd 2014v. All Rights Reserved.