

# MINI C40 Range Øi 20-39 mm (0.78"-1.54")

GBC portable pipe bevelling machines



Pipe beveler MINI C40, pneumatic version, with 40mm body and cutter head for jobs in extremely restricted access areas.

**RANGE:**  
20-39 mm I/D  
(OPTIONAL FROM 12,5 mm)

**FUNCTIONS:**  
BEVELLING, FACING,  
COUNTERBORING.

**MATERIALS:**  
ANY KIND OF STEEL.

**POWER:**  
PNEUMATIC/ELECTRIC.

**NOTE:**  
MACHINE COMPACT, 40 mm  
CLEARANCE MAKES IT PERFECT FOR  
WORK IN BOILERS AND TUBE WALL  
PANELS.

## MINI C40 E

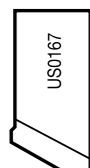


Electric version available with a conversion kit to easily change pneumatic to electric.



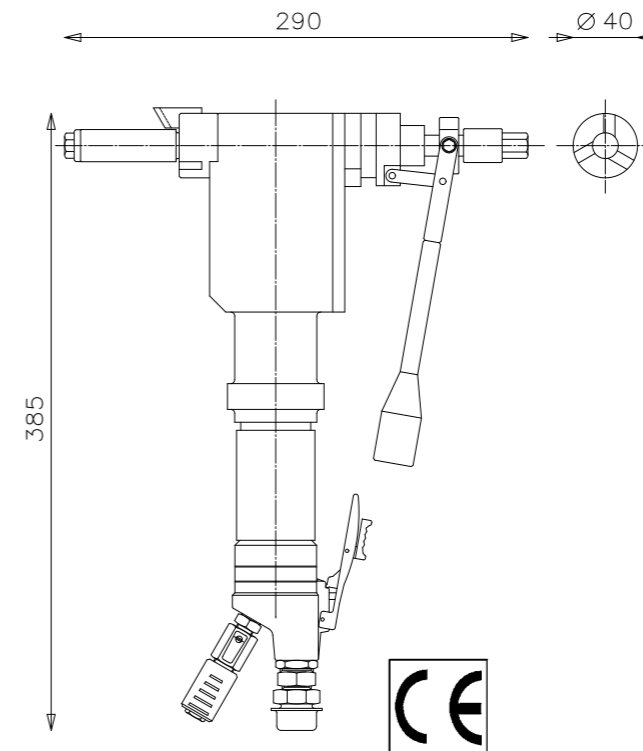
Lever handle for feeding the cutter head in tight spots where manual feeding is impossible.

### EXAMPLES OF CUTTER BITS



### TECHNICAL FEATURES

		MINI C40	MINI C40 E
Locking range	mm (ø i/d.)	20-39	20-39
Idle speed	Rpm	210	250
Torque	Nm	20	45
	mm	20	20
Feeding stroke	mm	20	20
Pneumatic motor power	Hp (W)	0,38 (280)	-
Air consumption	cfm	15-18	-
Air pressure	psi	90	-
	1/2"		
Air hose connection	inches	1/2"	-
Electric motor power	Watt	-	670
Voltage	Volt	-	110/220
Frequency (cycles)	Hz	-	50
Max noise level	dB	75	75
Unit weight	Kg	4,0	5,0



## OPTIONALS



### REDUCED SHAFTS

WITH A CHOICE OF INTERCHANGEABLE TOPS TO COVER A RANGE FROM 12,5 mm TO 21 mm i/d.

Shaft	mm	Locking range (i/d.) inches
12,4 Ø	12,5 - 15	0.49 - 0.59
13,9 Ø	14 - 18	0.55 - 0.71
16,9 Ø	17 - 21	0.67 - 0.83
kit	12,5 - 21	0.49 - 0.83

All units are supplied complete with all gripping segments to cover the full range of the machine. Service tools, drawings, instruction manual and warranty certificate are also supplied as standard. Each machine is supplied with a protective carrying case. We strongly recommend the use of the GBC portable filter lubricator with all our pneumatic models.