

MINI K

Portable pipe pipe bevelling machine



Range: 20 - 42 mm i/d (optional from 12,5 mm i/d).

Functions: bevelling, facing, counterboring.

Materials: any kind of steel, aluminum or plastic.

Power: pneumatic or electric (110v or 220v)

The MINI K is a lightweight yet powerful pipe beveller. Its 60mm body makes it ideal for use in environments where access is restricted. The ease of set up and operation make it a favourite for use in power stations, shipyards or workshops.



MINI K



MINI KE



MINI KC
CORDLESS



MINI K AUTOLOCK
For repetitive work



MINI K40
40mm body width for very limited access

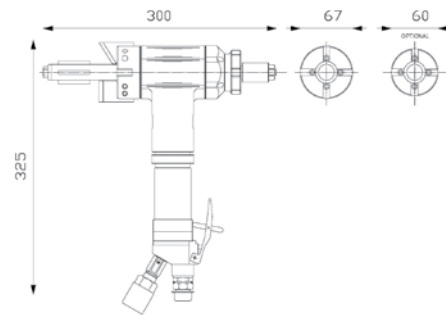


MINI K AUTOMATIC
Fully automatic operation

MINI K technical features

			MINI K	MINI KE
*	Locking tube range	mm (i/d.)	12.5 - 42	12.5 - 42
*	Recommended working range	mm (o/d.)	1/2" - 1 1/2"	1/2"-1 1/2"
*	Idle speed	rpm	210	250
**	Torque	kgm	2,3	3,5
*	Length of axial feed	mm	23,2	23,2
***	Max operating temperature	c°	55	55
***	Max acoustic radiation	dB	75	75
**	Pneumatic motor power	hp	0,38	-
**	Air consumption	cfm	15-18	-
**	Air working pressure	psi	90	-
*	Air hose connection	inches	1/2"	-
**	Electric motor power	watt	-	670
**	Voltage	volt	-	110/220
**	Frequency	Hz	-	50
*	Unit weight	kg	4,8	5,5
*	Packing dimensions	mm	370x430x120	370x480x12
*	Packing weight	kg	11	12

* mechanical data
 ** mathematical data
 *** average data



OPTIONS



Reduced Shafts
 with a choice of interchangeable tops to cover a range from 12,5 mm to 21 mm i/d.

Shaft	Locking range (i/d.) mm
12,4 Ø	12,5 - 15
13,9 Ø	14 - 18
16,9 Ø	17 - 21
KIT	12,5 - 22

Elbow locking shafts available to cover a range from 25 to 51 mm i/d.



Shaft	Locking range (i/d.) mm
25 Ø	25 - 39
35 Ø	38 - 51
25+35 kit	25 - 51

examples of cutter tools

