

SUPPORT PARTS

SU01~SU29



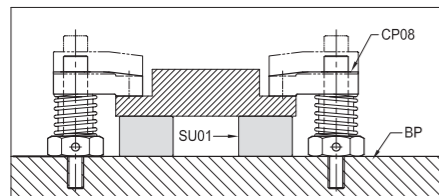
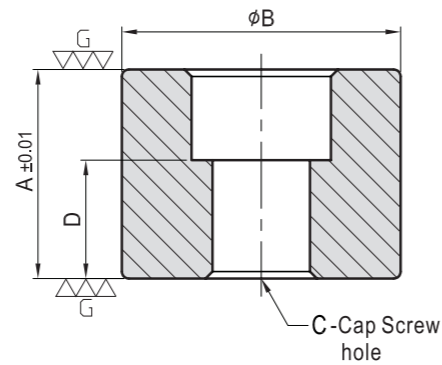
JIG REST BUTTON
OFFSET JIG REST BUTTON
SHOULDER SUPPORT CYLINDER
LOCATING CYLINDER



SU01

JIG REST BUTTON

- Material / Finish :
Material : S45C(JIS) / CK45(DIN)
- Heat treated : HRC 40°.
- Surface finish : Black Oxide.
- Application : mount onto base plate or clamp cube for supporting workpiece.
- Features : Jig rest buttons are extremely useful as supports, side locator pads, and jig feet.



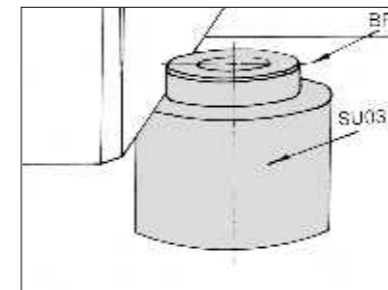
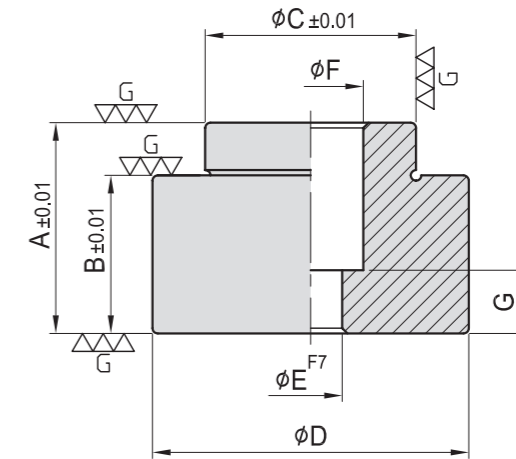
MODEL NO.	A	B	C	D	kg
SU01-1230	30	40	M12	17	0.24
SU01-1240	40			27	0.32
SU01-1250	50			37	0.41
SU01-1630	30	50	M16	12	0.36
SU01-1640	40			22	0.50
SU01-1650	50			32	0.64



SU03

SHOULDER SUPPORT CYLINDER

- Material / Finish :
Material : S45C(JIS) / CK45(DIN)
- Heat treated : HRC 40°.
- Surface finish : Black Oxide.
- Application : Support and locate with one part.

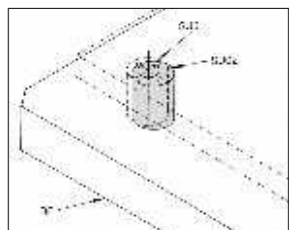
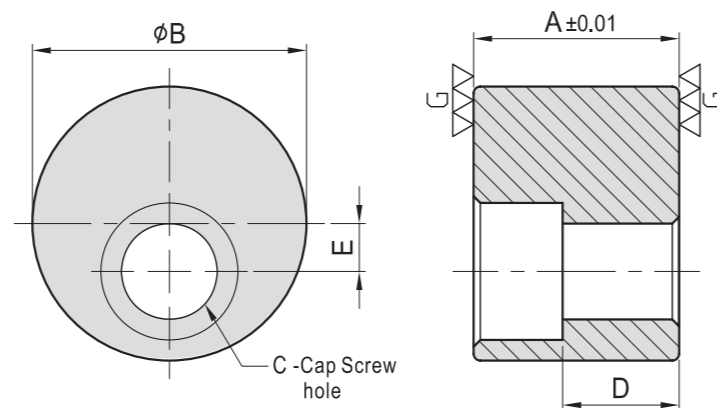


MODEL NO.	A	B	C	D	E	F	G	Kg
SU03-1230	30	40	40	60	12	20	12	0.68
SU03-1240	40	50						0.88
SU03-1250	50	60						1.10
SU03-1630	30	40	50	75	16	26	15	1.08
SU03-1640	40	50						1.40
SU03-1650	50	60						1.70

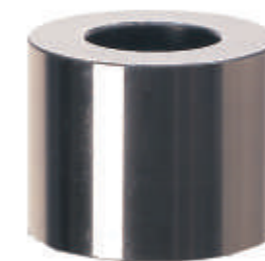
SU02

OFFSET JIG REST BUTTON

- Material / Finish :
Material : S45C(JIS) / CK45(DIN)
- Heat treated : HRC 40°.
- Surface finish : Black Oxide.
- Application : Use for supporting and / or positioning workpiece.
- Features : Jig rest buttons are extremely useful as supports, side locator pads, and jig feet.



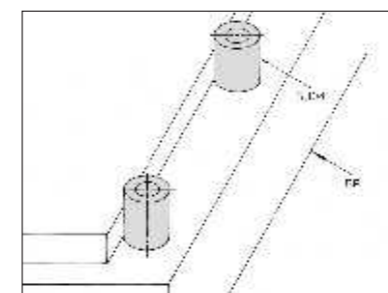
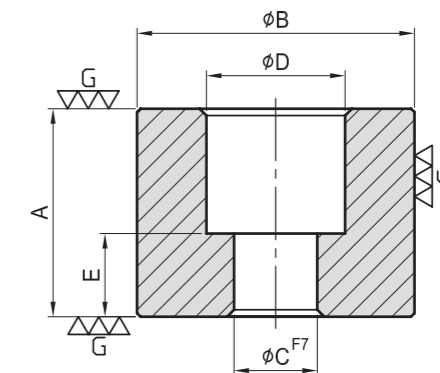
MODEL NO.	A	B	C	D	E	kg
SU02-1230	30	40	M12	17	7	0.24
SU02-1240	40			27		0.32
SU02-1250	50			37		0.41
SU02-1630	30	50	M16	12	10	0.36
SU02-1640	40			22		0.50
SU02-1650	50			32		0.64



SU04

LOCATING CYLINDER

- Material / Finish :
Material : S45C(JIS) / CK45(DIN)
- Heat treated : HRC 40°.
- Surface finish : Black Oxide.
- Application : Support and locate with one part.



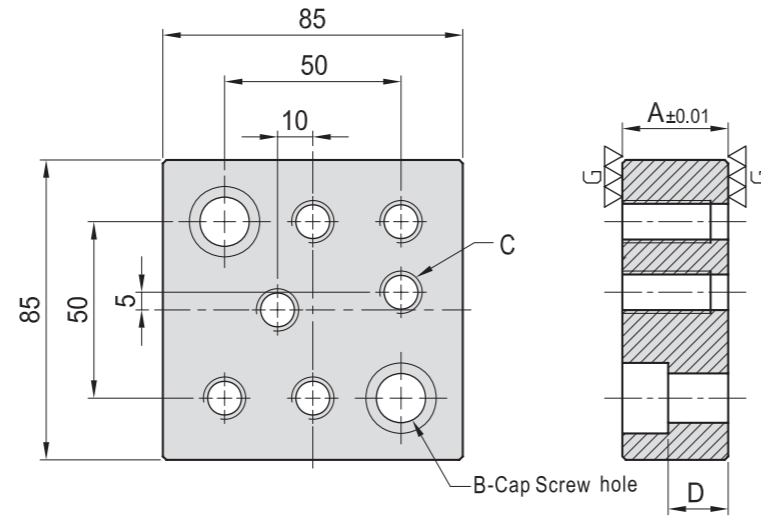
MODEL NO.	A	B	C	D	E	kg
SU04-1230	30	40	12	20	12	0.24
SU04-1240	40				12	0.32
SU04-1250	50				12	0.40
SU04-1630	30	50	16	26	12	0.37
SU04-1640	40				15	0.49
SU04-1650	50				15	0.60

SU05

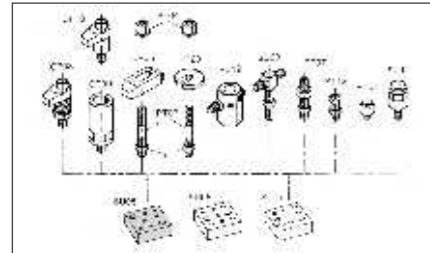
SQUARE ADAPTER



- Material / Finish :
Material : S45C, (JIS) / CK45 (DIN)
- Heat treated : HRC 40°.
- Surface finish : Black Oxide.
- Application : Multipurpose adapter for a variety of stops & clamps.



MODEL NO.	A	B	C	D	kg
SU05-1230	30	M12	M12	17	1.50
SU05-1240	40			27	2.00
SU05-1250	50			37	2.25
SU05-1630	30	M16	M16	12	1.30
SU05-1640	40			22	1.80
SU05-1650	50			32	2.22

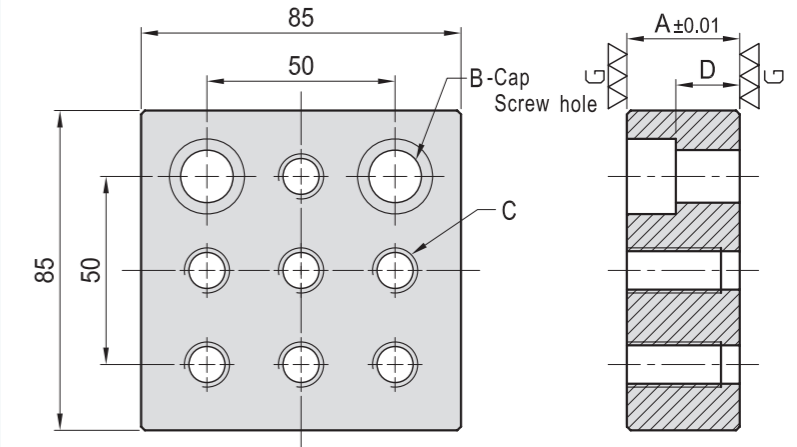


SU07

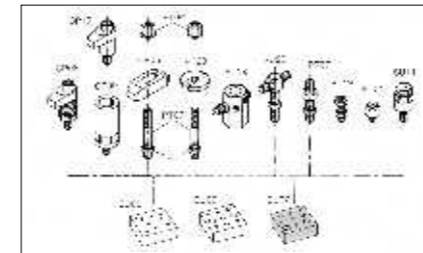
SQUARE ADAPTER



- Material / Finish :
Material : S45C(JIS) / CK45(DIN)
- Heat treated : HRC 40°.
- Surface finish : Black Oxide.
- Application : Multipurpose adapter for a variety of stops & clamps.



MODEL NO.	A	B	C	D	kg
SU07-1230	30	M12	M12	17	1.5
SU07-1240	40			27	2.0
SU07-1250	50			37	2.6
SU07-1630	30	M16	M16	12	1.3
SU07-1640	40			22	1.8
SU07-1650	50			32	2.2

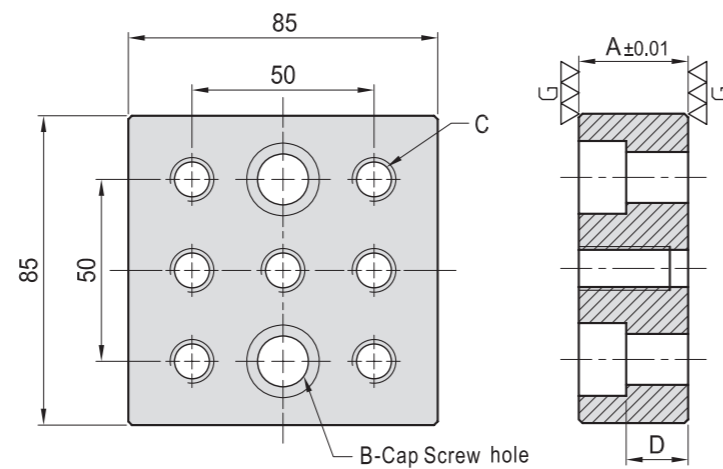


SU06

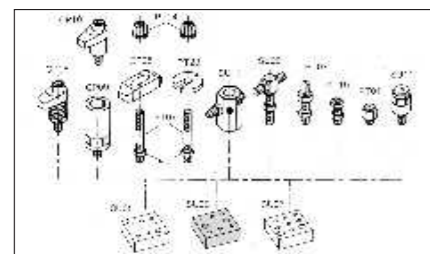
SQUARE ADAPTER



- Material / Finish :
Material : S45C(JIS) / CK45(DIN)
- Heat treated : HRC 40°.
- Surface finish : Black Oxide.
- Application : Multipurpose adapter for a variety of stops & clamps.



MODEL NO.	A	B	C	D	kg
SU06-1230	30	M12	M12	17	1.50
SU06-1240	40			27	2.00
SU06-1250	50			37	2.60
SU06-1630	30	M16	M16	12	1.30
SU06-1640	40			22	1.80
SU06-1650	50			32	2.25

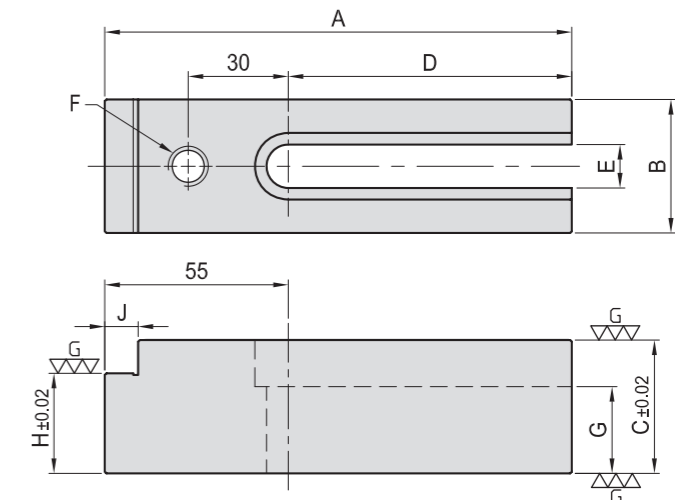


SU08

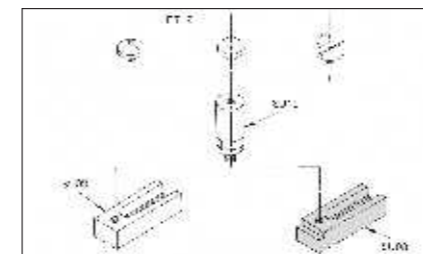
EXTENSION SUPPORT



- Material / Finish :
Material : S45C(JIS) / CK45(DIN)
- Heat treated : HRC 40°.
- Surface finish : Black Oxide.
- Application : Gives extra flexibility in the placement of stops.



MODEL NO.	A	B	C	D	E	F	G	H	J	kg
SU08-12140-30	140	40	40	85	13	M12	26	30	10	1.3
SU08-12140-40			50				36			1.6
SU08-16140-30	140	50	40	85	17	M16	22	30	10	1.5
SU08-16140-40			50				32			1.9

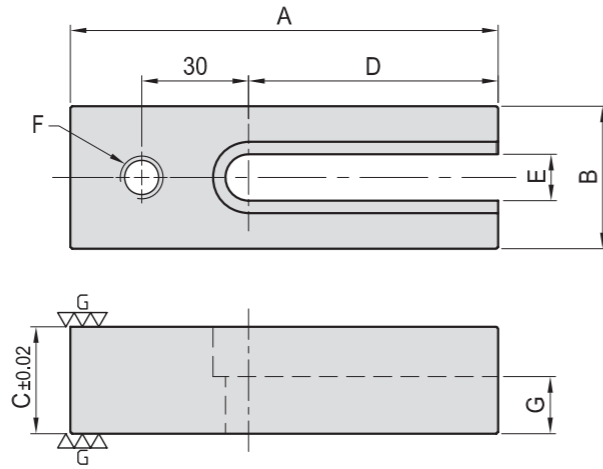


SU09

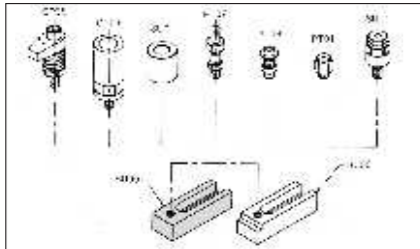
EXTENSION SUPPORT



- Material / Finish :
Material : S45C(JIS) / CK45(DIN)
- Heat treated : HRC 40°.
- Surface finish : Black Oxide.
- Application : Multipurpose adapter for a variety of stops & clamps.



MODEL NO.	A	B	C	D	E	F	G	kg
SU09-12120-30	120	40	30	70	13	M12	16	0.85
SU09-12120-40			40				26	1.10
SU09-16140-30	140	50	30	90	17	M16	12	1.14
SU09-16140-40			40				22	1.52

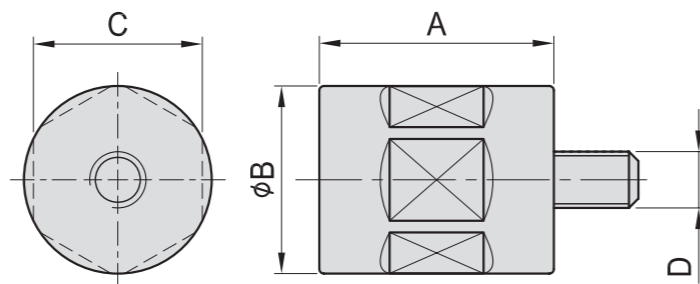


SU10

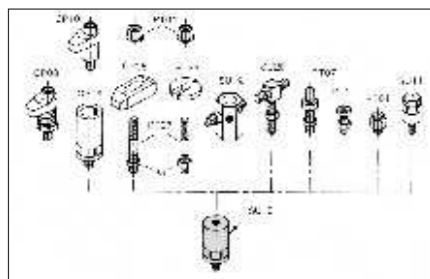
RISER CYLINDER



- Material / Finish :
Material : S45C(JIS) / CK45(DIN)
- Heat treated : HRC 38°.
- Surface finish : Black Oxide.
- Application : Elevate a work stop or clamp.



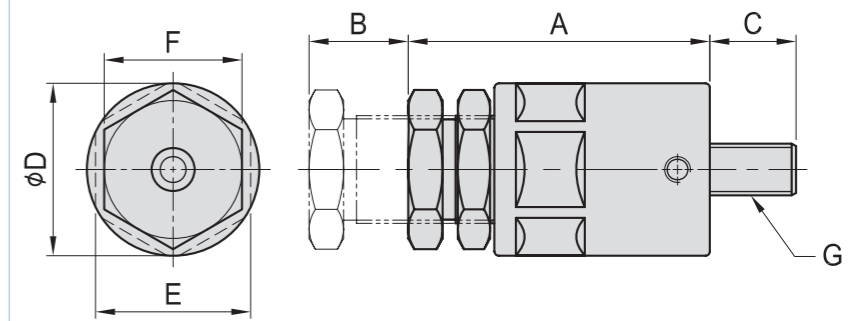
MODEL NO.	A	B	C	D	kg
SU10-1250	50	40	36	M12	0.45
SU10-1265	65				0.59
SU10-1280	80				0.74
SU10-1650	50	50	46	M16	0.72
SU10-1665	65				0.84
SU10-1680	80				1.20



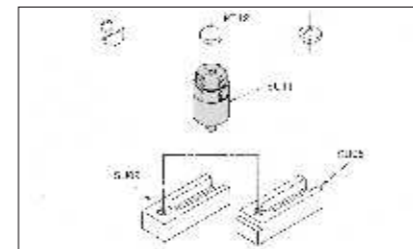
- Material / Finish :
Material : S45C(JIS) / CK45(DIN)
- Heat treated : HRC 38°~40°.
- Surface finish : Black Oxide.
- Application : Multipurpose support part.

SU11

SUPPORT JACK



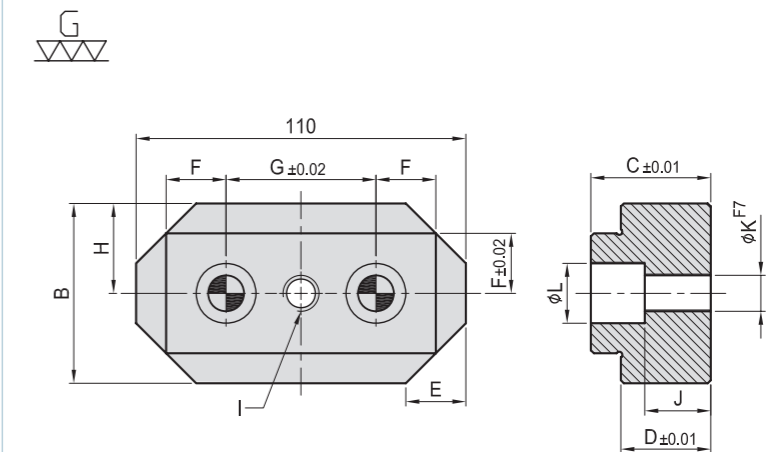
MODEL NO.	A	B	C	D	E	F	G	kg
SU11-1265	65	20	20	40	36	32	M12	0.54
SU11-1665	65	20	20	50	46	36	M16	0.82



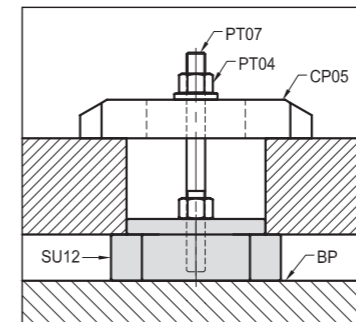
- Material / Finish :
Material : S45C(JIS) / CK45(DIN)
- Heat treated : HRC 45°.
- Application : Work piece support & positioning.

SU12

POSITIONING EDGE SUPPORT



MODEL NO.	A	B	C	D	E	F	G	H	I	J	K	L	M	kg
SU12-1230	110	60	40	30	20	20	50	30	M12	22	12	20		1.50
SU12-1240			50	40						32				1.92
SU12-1630	110	60	40	30	20	20	50	30	M16	17	16	26		1.40
SU12-1640			50	40						26				1.80

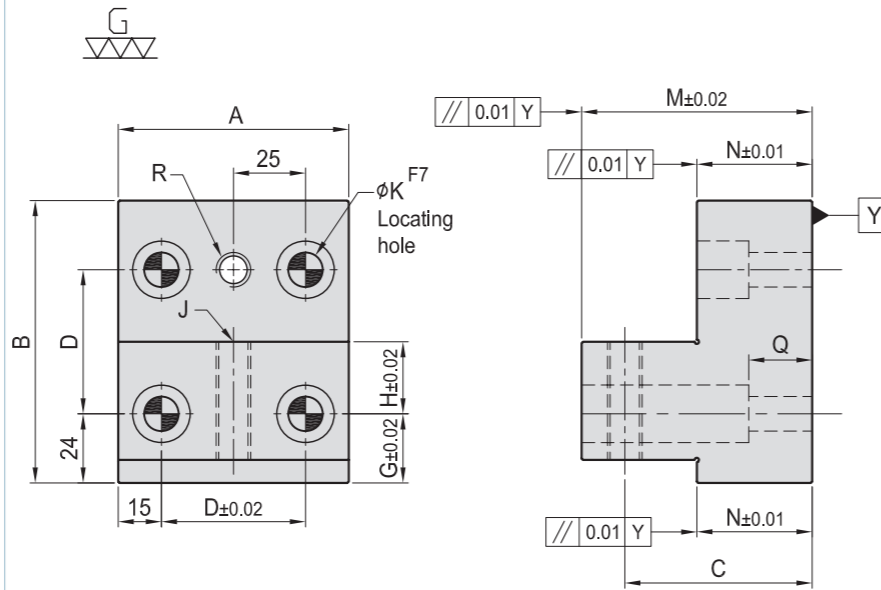
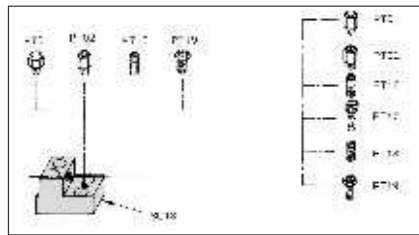


SU13

POSITIONING EDGE SUPPORT



- Material / Finish :
Material : S45C(JIS) / CK45(DIN)
- Heat treated : HRC 45°.
- Application : Multipurpose adapter for a variety of stops & clamps.



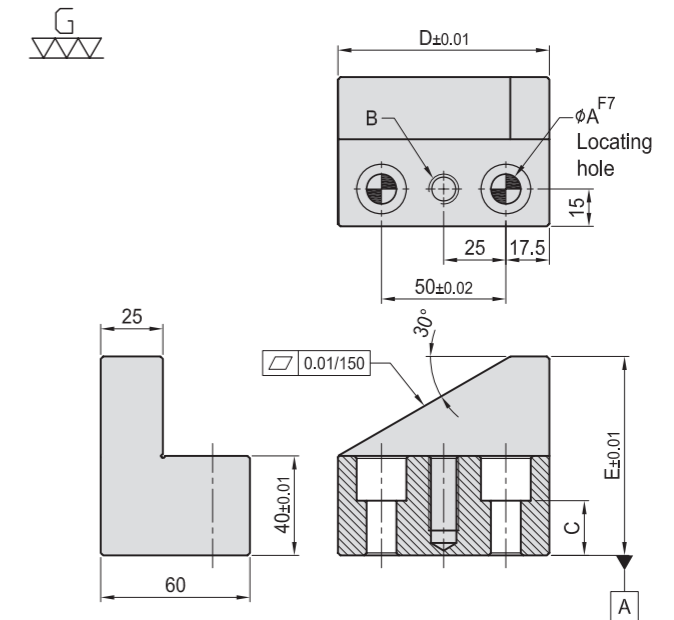
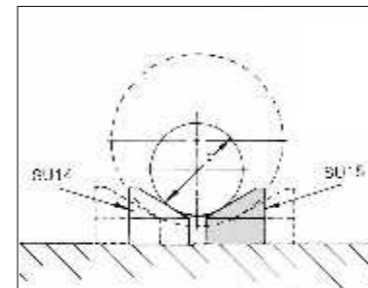
MODEL NO.	A	B	C	D	G	H	J	K	M	N	Q	R	kg
SU13-1240	80	98	65	50	16	25	M12	12	80	40	22	M12	3.00
SU13-1640	80	98	65	50	16	25	M16	16	80	40	16	M16	2.64

SU15

SPLIT V BLOCK



- Material / Finish :
Material : S45C(JIS) / CK45(DIN)
- Heat treated : HRC 45°.
- Application : Use with SU14 to create an adjustable V block set.



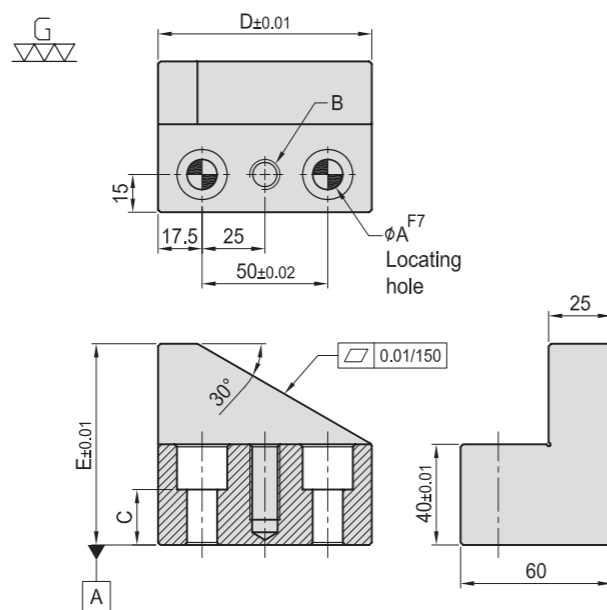
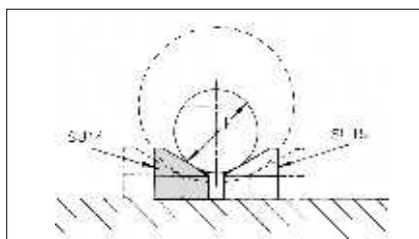
MODEL NO.	A	B	C	D	E	F		kg
						Max.	Min.	
SU15-1250-600	12	M12	22	85	80	600	50	1.86
SU15-1650-600	16	M16	16	85	80	600	50	1.74

SU14

SPLIT V BLOCK



- Material / Finish :
Material : S45C(JIS) / CK45(DIN)
- Heat treated : HRC 45°.
- Application : Use with SU15 to create an adjustable V block set.



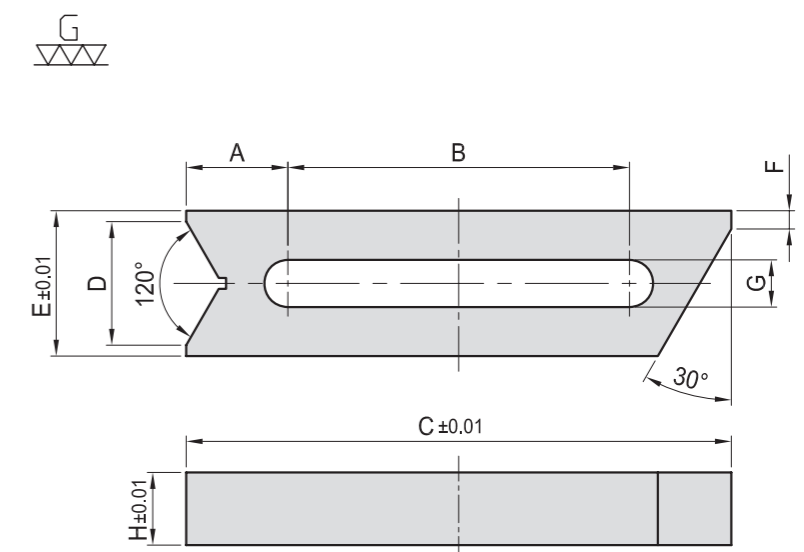
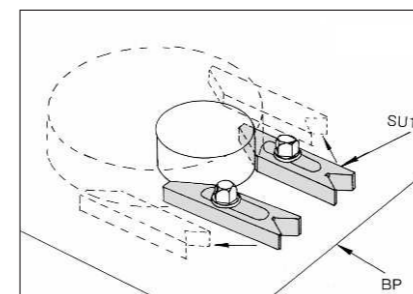
MODEL NO.	A	B	C	D	E	F		kg
						Max.	Min.	
SU14-1250-600	12	M12	22	85	80	600	50	1.86
SU14-1650-600	16	M16	16	85	80	600	50	1.76

SU16

V BLOCK



- Material / Finish :
Material : S45C(JIS) / CK45(DIN)
- Heat treated : HRC 45°.
- Application : Multipurpose V-block, use independently or in pairs.



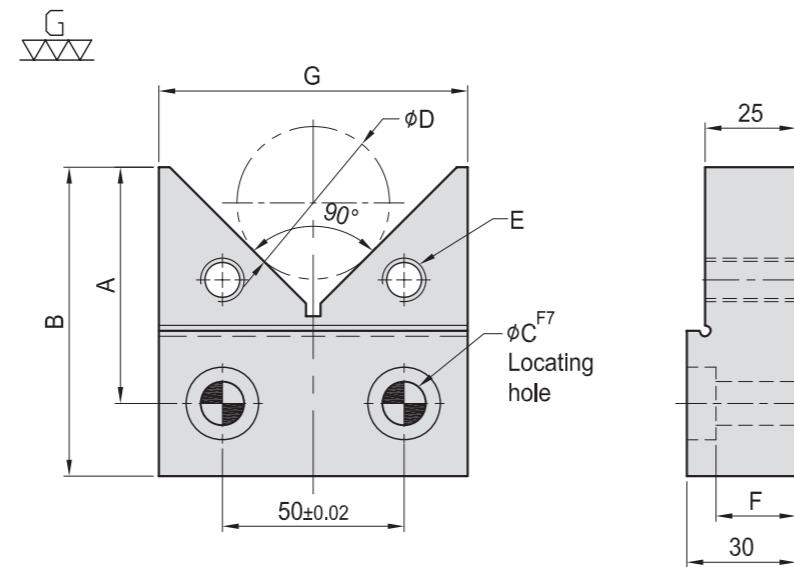
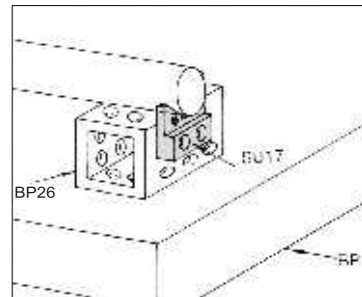
MODEL NO.	A	B	C	D	E	F	G	H	kg
SU16-12150	28	94	150	34	40	5	13	20	0.65
SU16-16175	30	115	175	40	50	5	17	20	0.90

SU17

V BLOCK



- Material / Finish : Material : S45C(JIS) / CK45(DIN)
- Heat treated : HRC 45°.
- Application : Easily mounts to any fixture to support round parts.



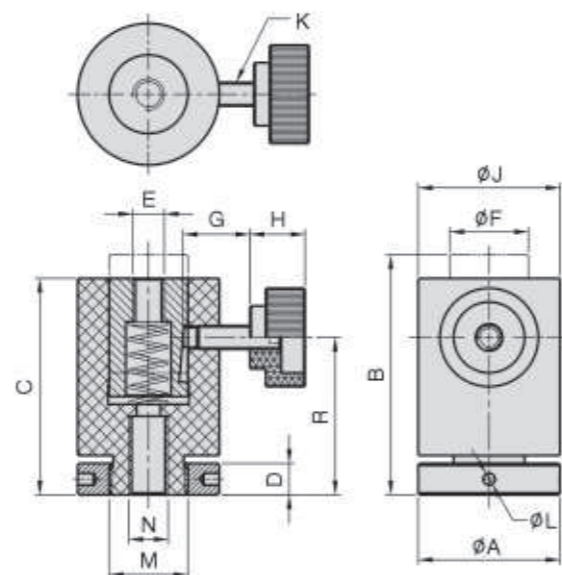
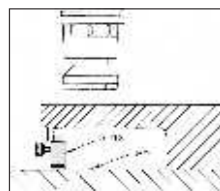
MODEL NO.	A	B	C	D		E	F	G	kg
				Max.	Min.				
SU17-1215-080	65	85	12	80	15	M12	22	85	1.10
SU17-1215-100	75	95		100					1.30
SU17-1615-080	65	85	16	80	15	M16	25	85	1.02
SU17-1615-100	75	95		100					1.20

SU18

SUPPORT JACK



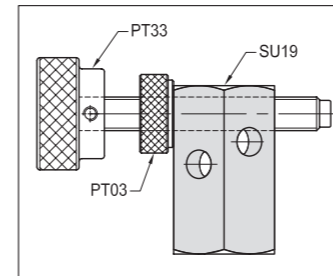
- Material / Finish : Material : S45C(JIS) / CK45(DIN)
 - Heat treated : HRC 38°~42°.
 - Surface finish : Black Oxide.
 - Application : Designed to support over hanging workpiece, spring loaded & adjustable.
 - Features : supporting height can be adjusted by loosening the adjusting screw.
- Shock resistance during machining operation.



MODEL NO	A	B	C	D	E	F	G	H	J	K	L	M	N	R	kg
SU18-3655	36	61	55	8	M 8	20	17	14	36	M 6	3	M20	M10	40	0.43
SU18-4270	42	79	70	9	M10	25	25	17	42	M 8	4	M24	M12	50	0.73
SU18-5085	50	100	87	10	M12	30	27	20	50	M10	5	M30	M16	62	1.30

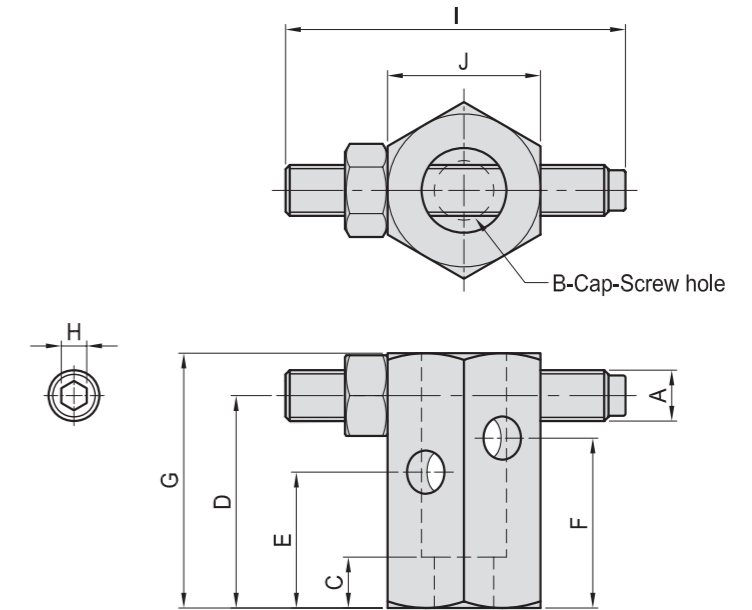


- Material / Finish : Material : S45C(JIS) / CK45(DIN)
- Heat treated : HRC 32°~38°.
- Surface finish : Black Oxide.
- Application : Multipurpose work piece positioning.



SU19

ADJUSTABLE STOP



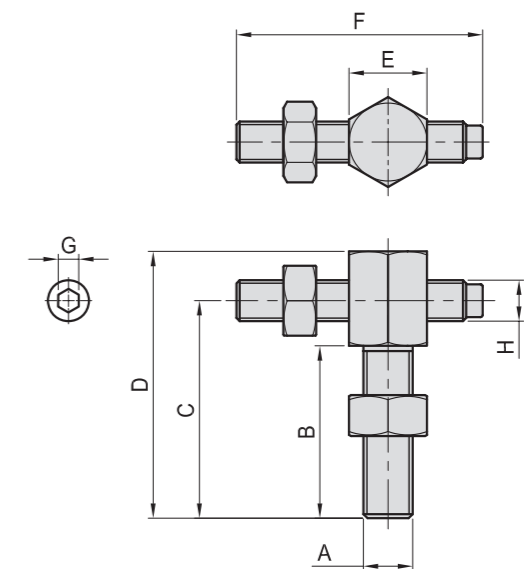
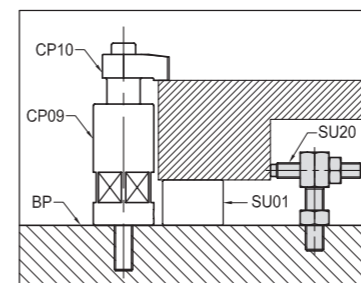
MODEL NO.	A	B	C	D	E	F	G	H	I	J	kg
SU19-1280	M12	M12	12	32	40	50	60	6	80	36	0.43
SU19-1690	M16	M16	14	40	50	63	80	8	90	46	0.89

SU20

MINI ADJUSTABLE STOP



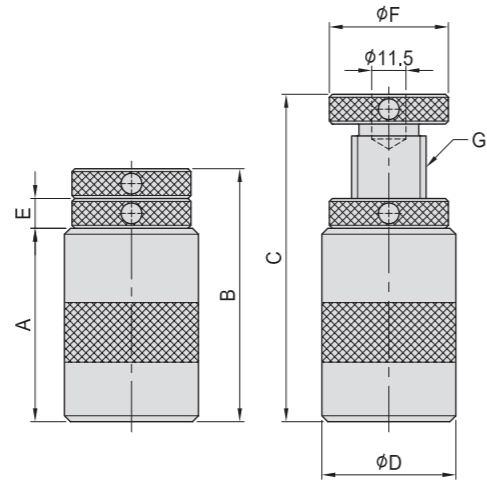
- Material / Finish : Material : S45C (JIS) / CK45(DIN)
- Heat treated : HRC 32°~38°.
- Surface finish : Black Oxide.
- Application : Multipurpose work piece positioning.



MODEL NO.	A	B	C	D	E	F	G	H	kg
SU20-1260	M12	42	53	65	19	60	5	M10	0.13
SU20-1680	M16	45	58	70	24	80	6	M12	0.24

SU21

MAGNETIC SUPPORT JACK

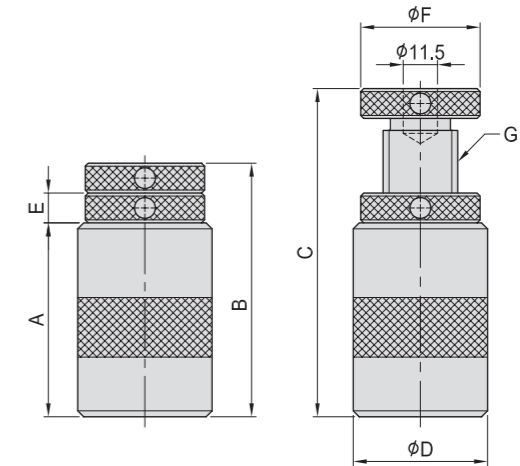


- Material / Finish :
Material : S45C(JIS), heat treated
- Surface finish : Black Oxide.

MODEL NO.	A	B-C	D	E	F	G	kg	KN
SU21-S050	24	40~50	45	8	35	Tr18x2	0.41	80
SU21-S065	34	50~65					0.54	
SU21-S085	49	65~85	45	8	35	Tr20x3	1.03	80
SU21-S110	63	85~110	45	12	40	Tr25x4	1.75	150
SU21-S165	85	110~165	50		45		2.93	
SU21-S265	135	165~265	60	15	50	Tr32x5	6.23	200
SU21-S300	170	265~300					7.50	

SU23

LARGE SUPPORT JACK

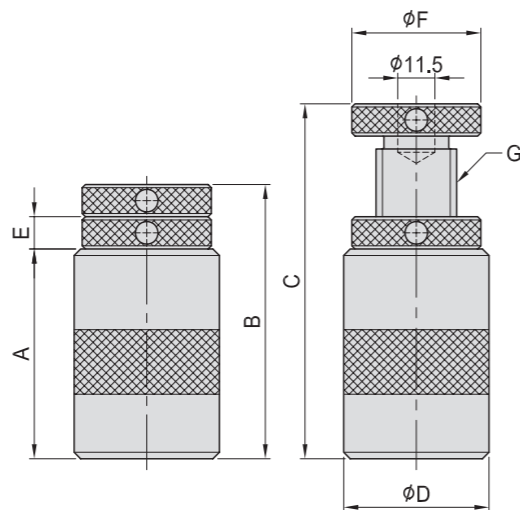


- Material / Finish :
Material : S45C(JIS), heat treated
- Surface finish : Black Oxide.

MODEL NO.	A	B-C	D	E	F	G	kg	KN
SU23-S0400	270	285~400	70	15	60	Tr40x4	8.0	260
SU23-S0500	370	385~500					10.5	
SU23-S0600	470	485~600	70	15	60	Tr40x4	12.0	260
SU23-S0700	570	585~700					14.0	
SU23-S0800	670	685~800	70	15	60	Tr40x4	15.0	260
SU23-S0900	770	785~900					16.5	
SU23-S1000	870	885~1000					18.0	

SU22

SUPPORT JACK

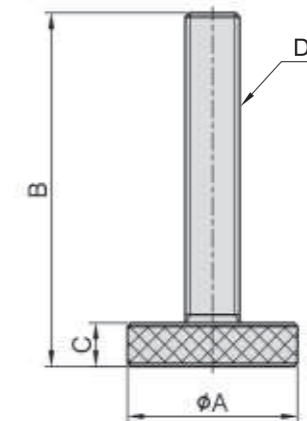


- Material / Finish :
Material : S45C(JIS), heat treated
- Surface finish : Black Oxide.

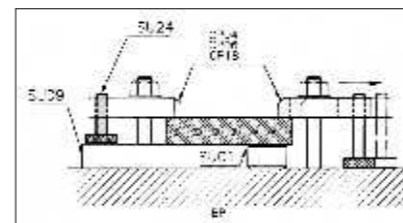
MODEL NO.	A	B-C	D	E	F	G	kg	KN
SU22-S050	21	37~50	40	8	35	Tr20x3	0.29	72
SU22-S070	34	50~70					0.40	
SU22-S100	50	70~100	45	10	40	Tr25x4	0.72	135
SU22-S150	76	100~150	50	12	45		1.30	
SU22-S250	120	150~250	60	15	50	Tr28x5	2.90	155
SU22-S300	170	200~300					3.50	

SU24

KNURLED ADJUSTING SCREW



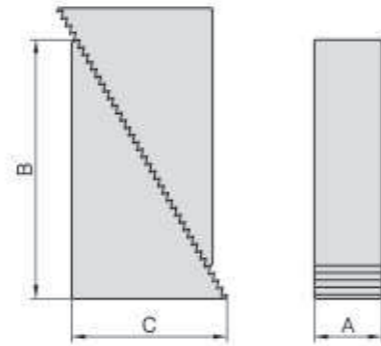
- Material /Finish :
Material : S45C(JIS), heat treated
- Heat treated : HRC 33°.
- Surface finish : Black Oxide.



MODEL NO.	A	B	C	D	kg
SU24-12060	28	60	8	M12	0.08
SU24-14065	30	65	9	M14	0.10
SU24-16070	30	70	10	M16	0.13
SU24-18080	36	80	12	M18	0.21
SU24-20130	50	130	16	M20	0.47

SU25

STEP BLOCK

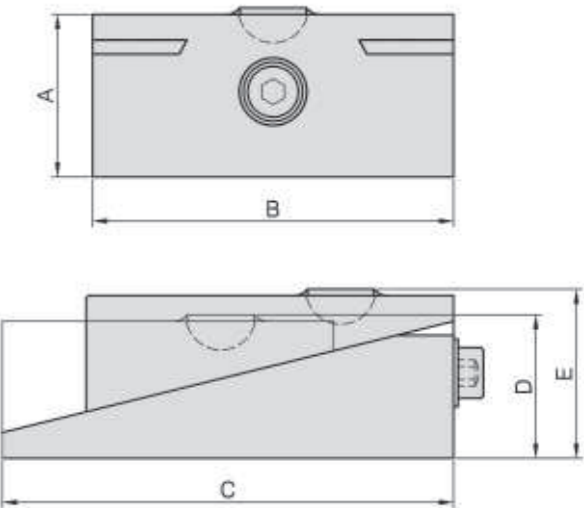


- Material / Finish :
Material : S45C.
- Heat treated : HRC32°~36°.
- Surface finish : Black Oxide.
- Application : Multipurpose clamping accessory, use with CP25.

MODEL NO.	Supporting Height	A	B	C	kg
SU25-25030	19-49	25	29.0	17	0.05
SU25-25045	28-68		45.0	27	0.12
SU25-25097	58-150		97.5	57	0.50
SU25-32059	38-90	32	59.0	35	0.24
SU25-32097	58-150		97.5	57	0.62
SU25-32139	82-210		139.0	81	1.32
SU25-38059	36-90	38	59.0	35	0.29
SU25-38097	58-150		97.5	57	0.73
SU25-38139	82-210		139.0	81	1.60
SU25-50059	36-90	50	59.0	35	0.70
SU25-50097	58-150		97.5	57	1.66
SU25-50139	82-210		139.0	81	3.43

SU27

ADJUSTABLE PARALLEL BLOCK

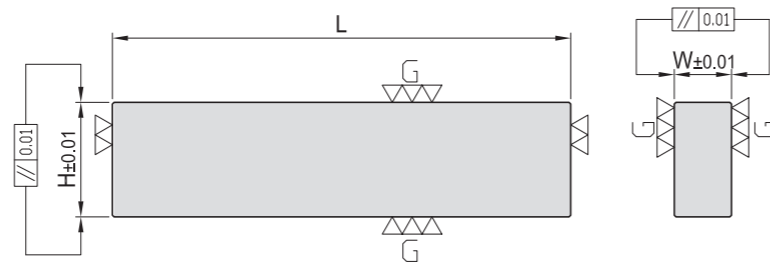


- Material / Finish :
Material : S45C(JIS) / CK45(DIN)
- Heat treated : HRC 38°~42°.
- Surface finish : Black Oxide.
- Application : Adjustable work piece support, fine adjustment capability.

MODEL NO.	A	B	C	D	E	kg
SU27-5039-46	39	50	82	35	41	1.2
SU27-8052-59	53	80	125	49	55	3.4

SU26

HARDENED GROUND PARALLEL



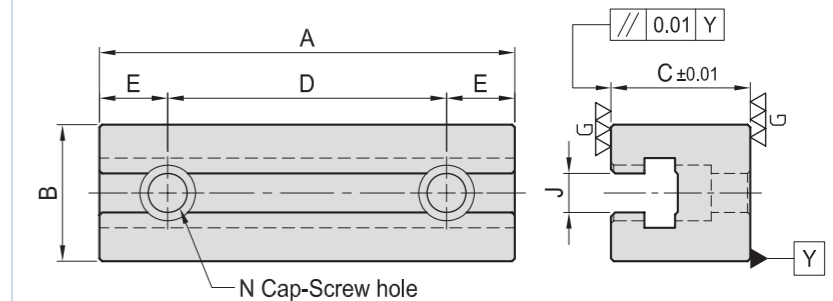
- Material : S45C
- Heat treated : HRC 45°.

MODEL NO.	W	H	L	kg	MODEL NO.	W	H	L	kg
SU26-0812-100	8	12	100	0.18	SU26-2025-200	20	25	200	1.60
SU26-0815-100		15		0.19	SU26-2030-200		30		1.92
SU26-1015-100	10	15	100	0.24	SU26-2040-200	25	40	250	2.54
SU26-1020-100		20		0.32	SU26-2530-250		30		3.00
SU26-1025-100		25		0.22	SU26-2540-250		40		3.95
SU26-1215-100	12	15	100	0.28	SU26-2550-250	38	50	300	4.90
SU26-1220-100		20		0.19	SU26-2840-300		40		5.80
SU26-1225-100		25		0.26	SU26-2850-300		50		6.66
SU26-1620-150	16	20	150	0.38	SU26-3850-300	38	50	300	9.00
SU26-1625-150		25		0.48	SU26-3875-300		75		13.80
SU26-1630-150		30		1.14					



SU28

T SLOT PARALLEL BLOCK



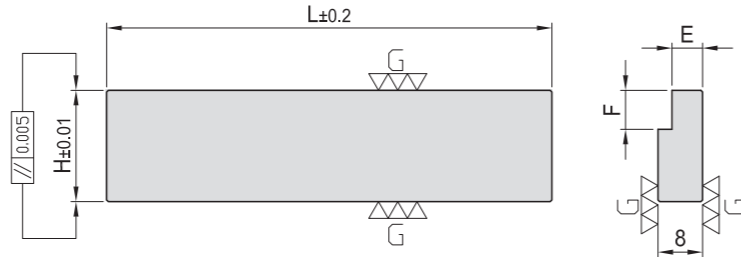
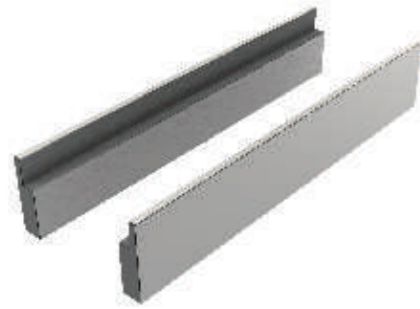
- Material / Finish :
Material : SCM420
- Heat treated : HRC 60°.
- Surface finish : Black Oxide.

MODEL NO.	A	B	C	D	E	N	J	kg
SU28-5050150-12	149	49	50	100	24.5	M12	14	1.4
SU28-5050200-12	199			150			2.3	
SU28-6060150-16	149	59	60	100	24.5	M16	18	2.3
SU28-6060200-16	199			150			3.5	

SU29

HARDENED SLICED PARALLEL

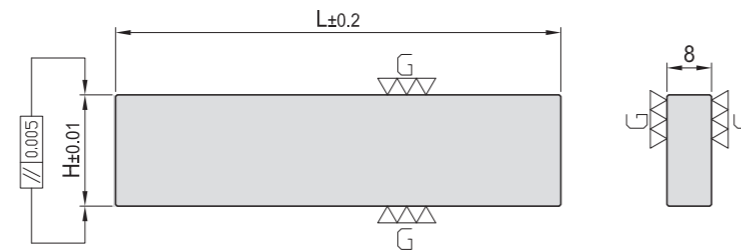
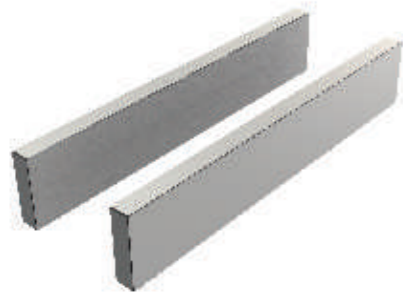
SU29-S



MODEL NO.	E	F	H	L	kg	MODEL NO.	E	F	H	L	kg	
SU29-125S21	2.5	7	21	125	0.25	SU29-160S50	3.0	10	50	160	0.88	
SU29-125S25			25		0.31	SU29-160S52			52		0.92	
SU29-125S29			29		0.38	SU29-160S54			54		0.96	
SU29-125S30			30		0.39	SU29-160S56			56		1.00	
SU29-125S32			32		0.42	SU29-160S58			58		1.04	
SU29-125S33			33		0.44	SU29-200S40			200		40	0.90
SU29-125S34			34		0.46	SU29-200S45					45	1.03
SU29-125S36			36		0.49	SU29-200S50					50	1.15
SU29-125S37			37		0.50	SU29-200S55					55	1.30
SU29-125S38			38		0.52	SU29-200S58					58	1.42
SU29-160S30	3.0	10	30	0.47	SU29-200S60	60	1.35					
SU29-160S35			35	0.58	SU29-200S62	62	1.40					
SU29-160S40			40	0.67	SU29-200S64	64	1.45					
SU29-160S45			45	0.77	SU29-200S66	66	1.50					
SU29-160S48			48	0.84	SU29-200S68	68	1.55					

※ TWO PIECES PER PAIR!

SU29-F



MODEL NO.	H	L	kg	MODEL NO.	H	L	kg
SU29-160F30	30	160	0.60	SU29-200F40	40	200	1.06
SU29-160F35	35		0.70	SU29-200F45	45		1.09
SU29-160F40	40		0.80	SU29-200F50	50		1.26
SU29-160F45	45		0.90	SU29-200F55	55		1.38
SU29-160F48	48		0.96	SU29-200F58	58		1.46
SU29-160F50	50		1.00	SU29-200F60	60		1.50
SU29-160F52	52		1.04	SU29-200F62	62		1.56
SU29-160F54	54		1.09	SU29-200F64	64		1.61
SU29-160F56	56		1.13	SU29-200F66	66		1.66
SU29-160F58	58		1.17	SU29-200F68	68		1.71

※ TWO PIECES PER PAIR!

- Material / Finish : S50C
- Heat treated : HRC 47°~52°.