



Fully Automated Magnetic Filtration



A new generation in filtration...



A world leader in magnetic technology

Autofiltrex is the latest generation in high performance magnetic filtration. Integrating **market leading** magnetic technology, it ensures 24/7 **"ultra-polished"** machine tool fluids. The **"plug and play"** unit delivers savings in fluid usage, filter consumables and waste disposal costs. In addition, it improves surface **finish** and **accuracy**.

Applications
Autofiltrex is ideal for most ferrous machining applications such as grinding, honing, lapping, forming and quenching processes.

Key product features

- 24/7 Fully automated operation
- Sub-micron performance filtration
- Compact, occupies minimal floorspace
- "Plug and play" - minimal set up
- Can interface with CNC controls
- Incorporates high intensity magnetic technology
- Includes filter, pump, PLC and magnetic reclaim unit

Autofiltrex benefits

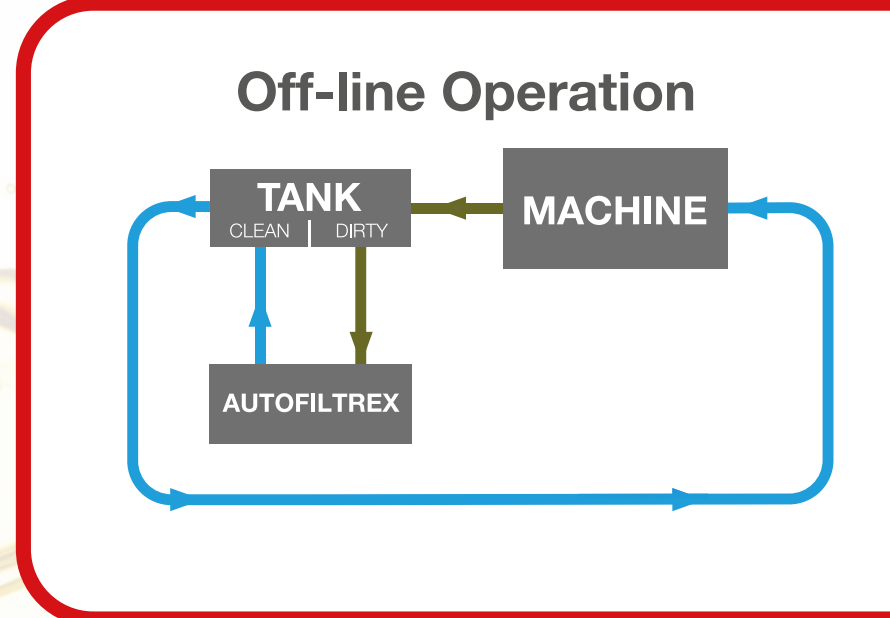
- Rapid return on investment – capital cost v cost savings
- Ensures 24/7 "Ultra-polished" fluids – (without removing key fluid additives)
- Extends fluid life by up to 10x
- Huge improvements in part surface finish
- Can reduce spend on filter consumables to zero
- Fit and forget - 24/7 uninterrupted filtration
- On-going protection for machinery and tools



When precision counts

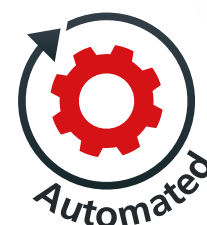
Sub-Micron Magnetic Filtration
Magnetic filtration is the most effective means of removing problem ferrous particles from industrial fluids such as coolants, oils and other lubricants. Its' success is based on an ability to remove ferrous contamination, including sub-micron particles, without the need to replace consumable filter items or affecting the fluid's key properties. Traditional filtration systems typically leave ferrous particles smaller than 5-10 microns circulating in the fluid causing damage to process equipment and finished products.

Autofiltrex works off-line, taking dirty fluid from the holding tank and returning clean fluid. The fluid "polishing" process continues even when the machine is not in use.

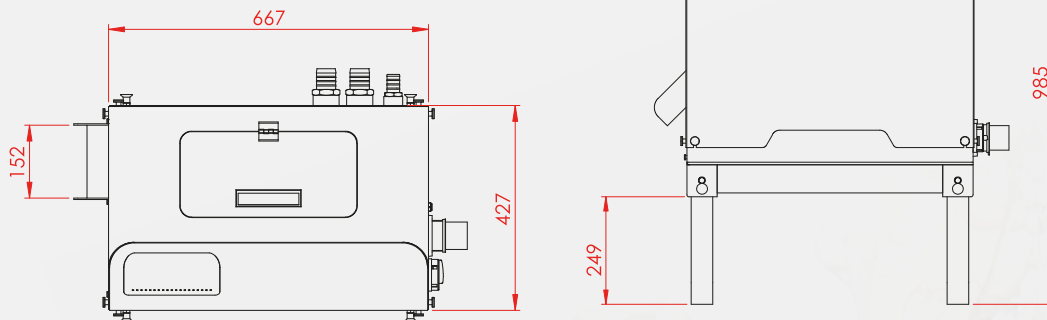


The Process

A high intensity magnetic circuit extracts contamination particles, whilst an **automated** purging process periodically diverts the contamination to a purge tank. Then, a magnetic reclaim **removes** the ferrous **contamination** into a collection box ready for recycling. No fluid is lost!



» Dimensions



» General Specifications

Maximum operating temperature: 80°C

Inlet size: 1" Hose (includes steel mesh strainer)

Outlet sizes: 2 x 1½" Hose

Solenoid valves: 24v spring return pneumatic valves

Power requirements: 230v 50Hz (also available 110v 60Hz version)

both using IP67 rated standard sockets. All components 24v.

Supplied with: removable contamination collection bin

Supplied with: lifting frame for positioning and moving on site

Requires: 5-7 bar air supply (8mm push fit connection included)

Flow rate: 60 litres per minute

Unit weight: 90 kg

» Material Specifications

Filter and reclaim tank body: 304 stainless steel

System cover: Aluminium

Pneumatic cylinders: Aluminium

Seals: NBR rubber

Also available for larger applications
(flow rates up to 10,000 litres per minute)

see our **Automag Skid**
fully automated filtration systems.



For further details or a quotation please contact our sales office

Eclipse Magnetics Ltd,

Atlas Way, Sheffield, S4 7QQ England

T +44 (0114) 2250600 • F +44 (0114) 2250610

info@eclipsemagnetics.com • www.magneticfiltration.co.uk

While every effort has been made to ensure the accuracy of the information in this publication please note that specifications may change without notice.

