

APPLICATION DATA SHEET



Control Systems

Transmitters

Sensors

Accessories

TOCSIN 107 Addressable IO Node



Tocsin 107 Series IO Nodes provide an addressable interface to third party devices. The nodes are equipped with two independent relay outputs and two independent analogue signal inputs. Each IO point has its own unique system address. This allows the relays to be assigned from a Tocsin series control panels for alarm signalling, Audio visual outputs etc. The analogue inputs can be used to interface third party equipment such as pressure, temperature, flow transmitters etc. These can then be read back addressably onto a Tocsin series controller in the same manner as any standard addressable IGD gas detector.

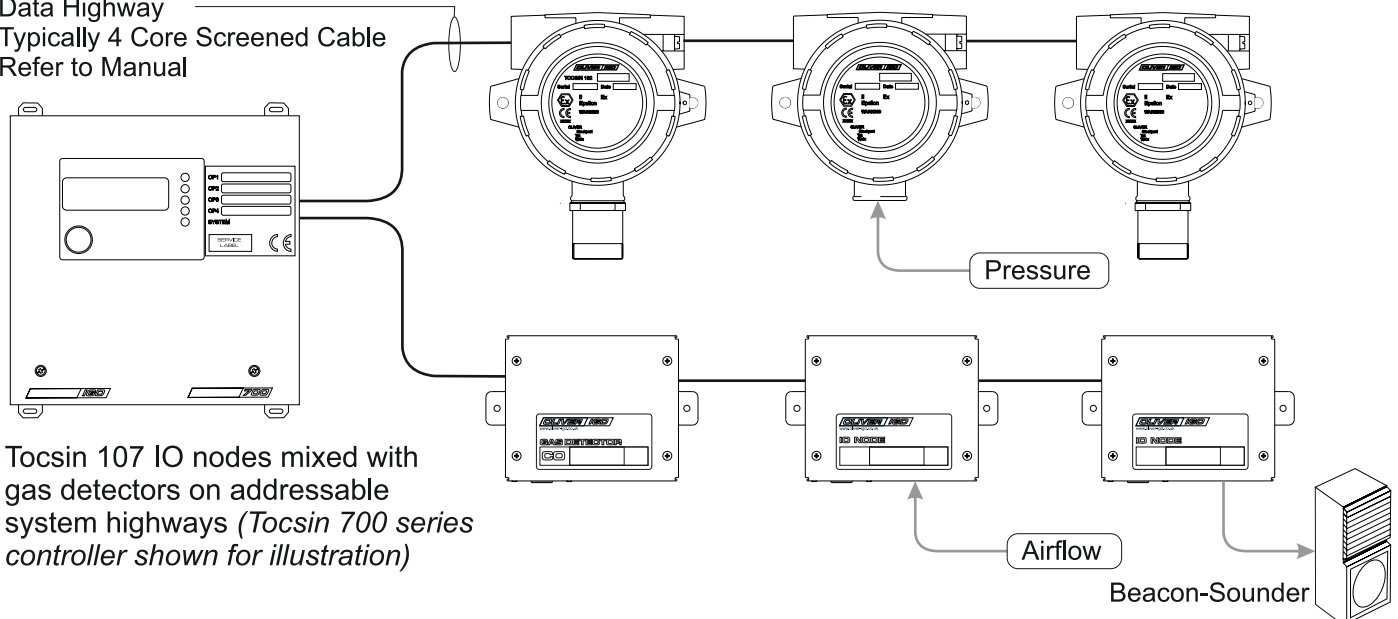
Basic Node Specification Electrical

2 off Single Pole Relays Rated At
3 Amps @ 230V AC Non Inductive
5 Amps @ 30V DC Non Inductive
2 off Analogue Inputs Available as Either
0-5V DC Input or 4-20mA Input
Switch Input Function (On/Off)

Basic Node Specification Environmental

Temperature: 0 to 55 C
Humidity: Up to 95% Non-Condensing
CE Declaration
BS EN61000-6-4 EMC Compatibility 'Emissions'
BS EN 61000-6-2:2001 EMC Compatibility 'Immunity'
BS EN 61010-1:2001 Safety requirements, electrical equipment

Data Highway
Typically 4 Core Screened Cable
Refer to Manual



Tocsin 107 IO nodes mixed with gas detectors on addressable system highways (Tocsin 700 series controller shown for illustration)

APPLICATION DATA SHEET



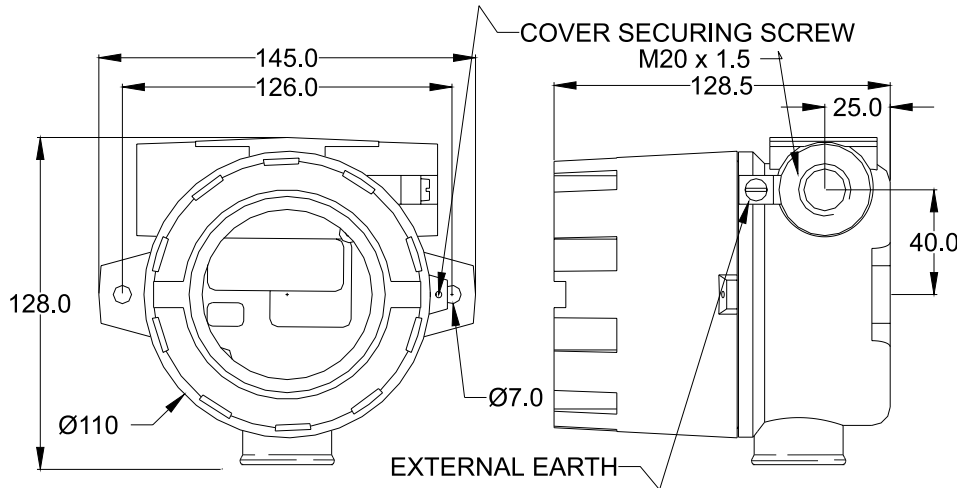
Control Systems

Transmitters

Sensors

Accessories

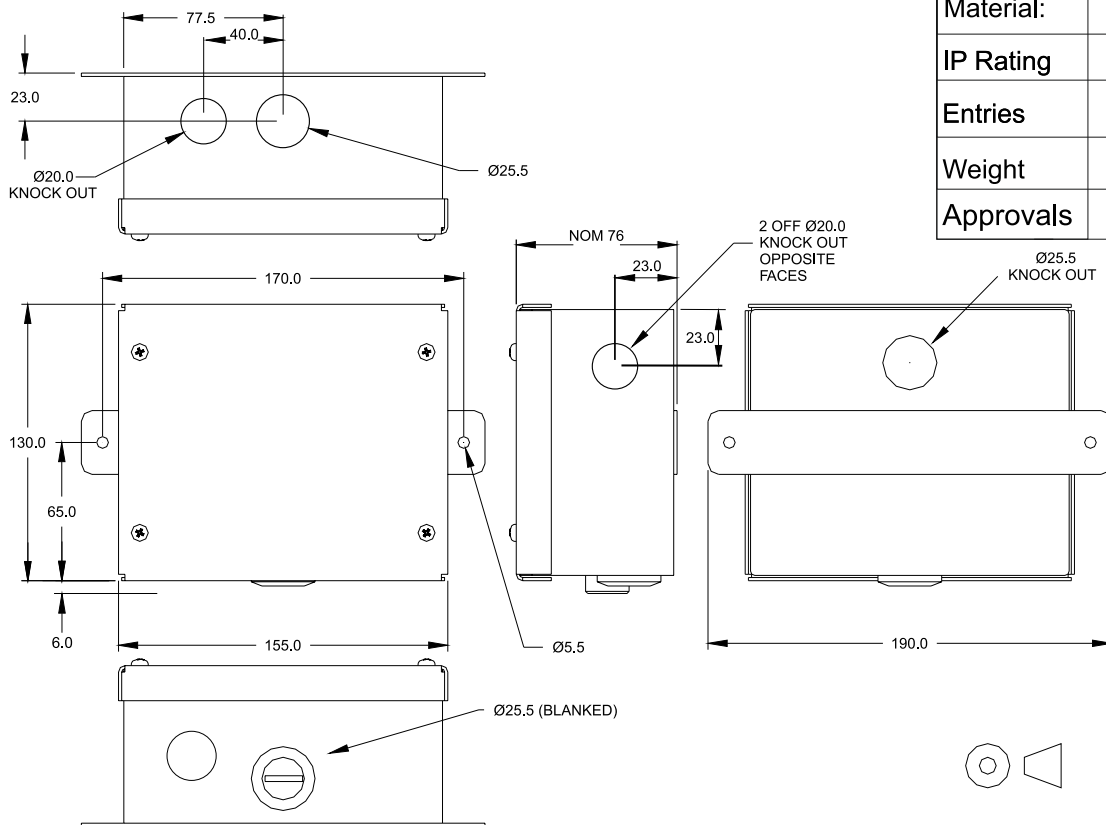
MOUNTING DETAILS AND DIMENSIONS ATEX VERSION PN 5138011



ATEX Version Specifications:

Material:	Aluminium Pressure Die Casting max 0.5% Mg
IP Rating	IP67
Entries	3 off M20 x 1.5
Weight	1.1 KG
Approvals	Ex d IIC T6 0518 II 2 G D Epsilon07ATEX2287x

MOUNTING DETAILS AND DIMENSIONS SAFE AREA VERSION PN 5138010



Safe Area Version Specifications:

Material:	Powder Coated Mild Steel
IP Rating	IP65 With Correct Glandng
Entries	3 off M20 & 3 off M25
Weight	0.45 KG
Approvals	TUV-SUD

APPLICATION DATA SHEET



Control Systems

Transmitters

Sensors

Accessories

EC Declaration of Conformity



Issuers name and address:

Oliver IGD Limited of
Triton House
Crosby St,
Stockport,
United Kingdom

Declares that the product listed as:

TOCSIN 107 SERIES ATEX NODE

Addressable 4-Wire Interface I/O Point with 2 off Analogue Inputs
and 2 off Relay Outputs

Are in conformity with the provisions of the following European Directive(s) when installed, operated, serviced and maintained in accordance with the installation and operating instructions contained in the product documentation.

2004/108/EC **EMC Directive**
94/9/EC **also known as 'ATEX 95' or 'the ATEX Equipment Directive**

And that the standards and/or technical specifications referenced below have been applied or considered.

EN 61779-1:2000	Electrical apparatus for the detection and measurement of flammable gases, general requirements and test methods.
EN 50271:2001	Electrical apparatus for the detection and measurement of combustible gases, toxic gases or Oxygen: requirements and tests for apparatus using software and or digital technologies. <i>Excluding requirements for SIL</i>
EN 60079-0:2006	Equipment for use in explosive atmospheres. General requirements
EN 60079-1:2007	Equipment for use in explosive atmospheres. Flameproof enclosures 'd'
EN 60079-0:2007	Equipment for use in explosive atmospheres. Housing Markings
EN 61241-0:2006	Electrical apparatus for use in the presence of combustible dust. General Requirements
EN 61241-1:2004	Electrical apparatus for use in the presence of combustible dust. Protection by enclosures "tD" EMC Generic standards. Immunity for industrial environments
EN 61000-6-2: 2005	EMC Generic standards. Emission standard for industrial environments
EN 61000-6-4/A1: 2011	EMC Limits. Limits for harmonic current emissions (equipment input current ≤ 16 A per phase)
EN 61000-3-2: 2014	EMC Limits. Limitation of voltage changes, voltage fluctuations and flicker in public low-voltage supply systems, for equipment with rated current ≤ 16 A per phase
EN 61000-3-3: 2013	EMC Limits. Limitation of voltage changes, voltage fluctuations and flicker in public low-voltage supply systems, for equipment with rated current ≤ 16 A per phase

Technical File Reference T107-TF9

Notified Body For ATEX
and/or QAN:

Sira Test & Certification Ltd
Hazardous Area Centre,
Rake Lane
Eccleston,
Chester,
CH4 9JN.
United Kingdom

Oliver IGD Limited operate an
independently assessed ISO9001:2008
Quality Assurance System and ATEX QAN.

Quality Assurance Certificate Number

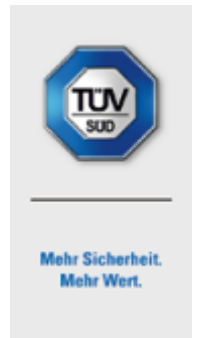
023827

Quality Assurance Notification Number

SIRA 02ATEX M174

Testing Agency:

TUV - SUD
Octagon House
Concorde Way
PO 15 5RL Fareham



TUV Certificates and reports can be checked on-line at https://www.tuev-sued.de/industry_and_consumer_products/certificates
Select Oliver IGD when prompted on the website to view certificates

Issued by: Oliver IGD Limited, Stockport, SK2 6TS , United Kingdom

Signature:

Declaration of Conformity in accordance with EN ISO/IEC 17050-1:2004

Name

Andrew J Collier M.I.O.D

Position: Managing Director

Date: 1.June 2015

Declaration Ref: T107-DEC-1



Triton House
Crosby St
Stockport
SK2 6TS
England

Ref ROS107C

T: +44 (0) 161 483 1415
F: +44 (0) 161 484 2345

Email: sales@internationalgasdetectors.com
Web: www.internationalgasdetectors.com



CERTIFICATE NO 023827