

PRODUCT DATA SHEET

www.internationalgasdetectors.com

OLIVER IGD

Control Systems

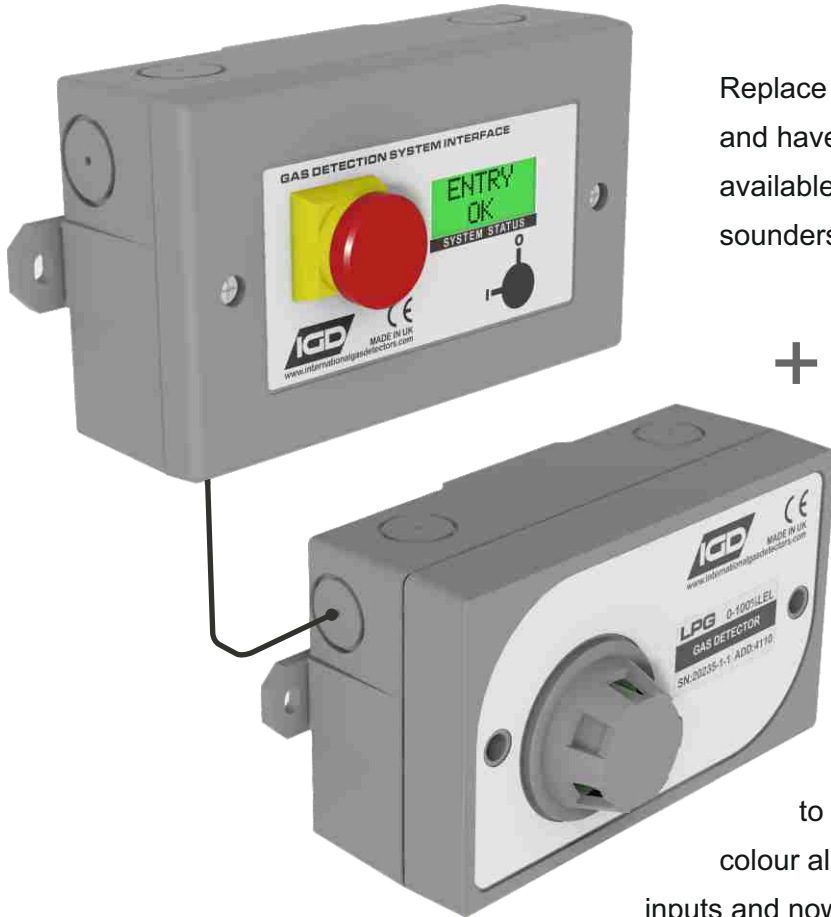
Transmitters

Sensors

Accessories

TOCSIN 30 SERIES ANNUNCIATORS

Addressable Display & Flammable Gas Detector Interface



Replace dumb beacon sounders with TOC-30 Annunciators and have meaningful alarm messages displayed. Versions available with and without slam switches. All versions with sounders and relay output

+ Add a flammable gas detector

Now use the Annunciator as a flammable gas detector control. Calibrate for any flammable gas Typically LPG, Methane, Hydrogen

TOC 30 Series Annunciators add extra flexibility to addressable gas detection systems, combining a colour alarm display with E-Stops, Key Switches or other inputs and now flammable gas detectors.

TOC 30 Series Annunciators reduce the number of system components required in systems whilst adding flexibility.

TOC-30 Series Annunciators reduce costs whilst enhancing installed systems

TOC-30 Series Annunciators provide clear segregation between gas detection alarms and other alarm systems

Addressable Interface to Controller. Network up to 32 Annunciators or other Addressable Devices per Highway.



- Sounder
- Display Change
- Relay Output
- Solid State Beacon Sounder Output
- ← Slam Switch Input
- ← Pellistor Flammable Gas Sensor Input

IGD

International Gas Detectors

CH₄ H₂S CO₂
NO NO₂ SO₂

OLIVER IGD

Triton House
Crosby Street
Stockport
SK2 6TS
England

Tel: +44 (0)161 483 1415

Fax: +44 (0) 161 484 2345

Email: sales@internationalgasdetectors.com

Website: www.internationalgasdetectors.com



FS646773

REF: T30ANN-PEL-1

PRODUCT DATA SHEET

www.internationalgasdetectors.com

OLIVER IGD

Control Systems

Transmitters

Sensors

Accessories

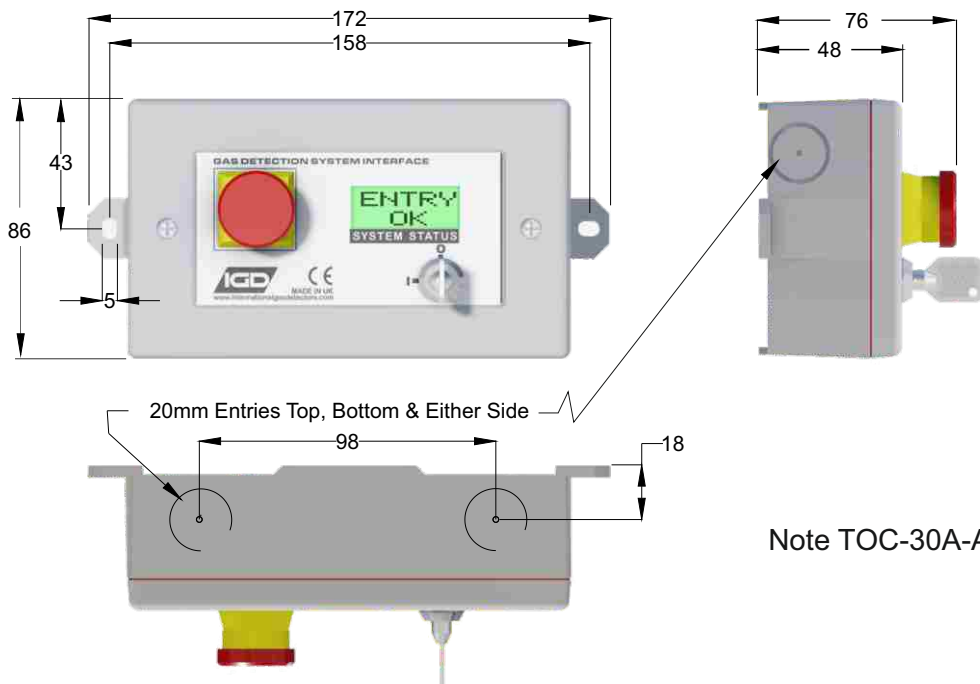
PART NUMBERS & FEATURES

| Part Number | Description | Single Pole Relay | Sounder | Display | E-Stop | Key Switch |
|-------------|-----------------------------|-------------------|---------|---------|--------|------------|
| TOC-30A-APP | Base Unit with Gas Detector | ✓ | ✓ | ✓ | ✓ | |
| TOC-30A-AP1 | With E-Stop | ✓ | ✓ | ✓ | ✓ | |
| TOC-30A-AP2 | With Key Switch | ✓ | ✓ | ✓ | | ✓ |
| TOC-30A-AP3 | With Key Switch & E-Stop | ✓ | ✓ | ✓ | ✓ | ✓ |

ANNUNCIATOR TECHNICAL

| | |
|---------------|---|
| Housing | ABS |
| Sealing | IP65 (using suitable glanding) |
| Environment | 0 -95% RH Non Condensing |
| Temperature | 0-55 Deg C |
| Voltage | 12-28V DC |
| Communication | RS485 IGD Data Highway 24V, 0V, A, B 4 Core Screened Cable |
| Relay | 5A Non Inductive Loads 230V AC |
| Inputs | Pellistor Gas Detector, TOC-10 Link Function Input (see TOC-10) |
| Sounder | 85dB |
| Display | 2 x 8 Programmable LCD with RGB Backlight |

ANNUNCIATOR MOUNTING DETAILS AND DIMENSIONS



Note TOC-30A-AP3 Shown

IGD

International Gas Detectors

CH₄ H₂S CO₂
NO NO₂ SO₂

OLIVER IGD

Triton House
Crosby Street
Stockport
SK2 6TS
England

Tel: +44 (0)161 483 1415
Fax: +44 (0) 161 484 2345
Email: sales@internationalgasdetectors.com
Website: www.internationalgasdetectors.com



FS646773
REF: T30ANN-PEL-1

PRODUCT DATA SHEET

www.internationalgasdetectors.com

OLIVER IGD

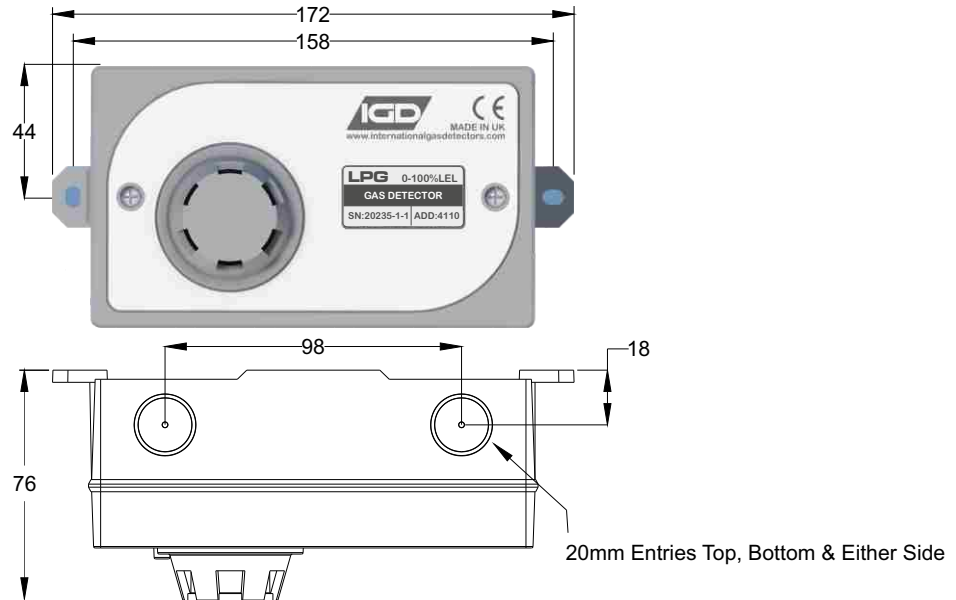
Control Systems

Transmitters

Sensors

Accessories

GAS DETECTOR MOUNTING DETAILS AND DIMENSIONS

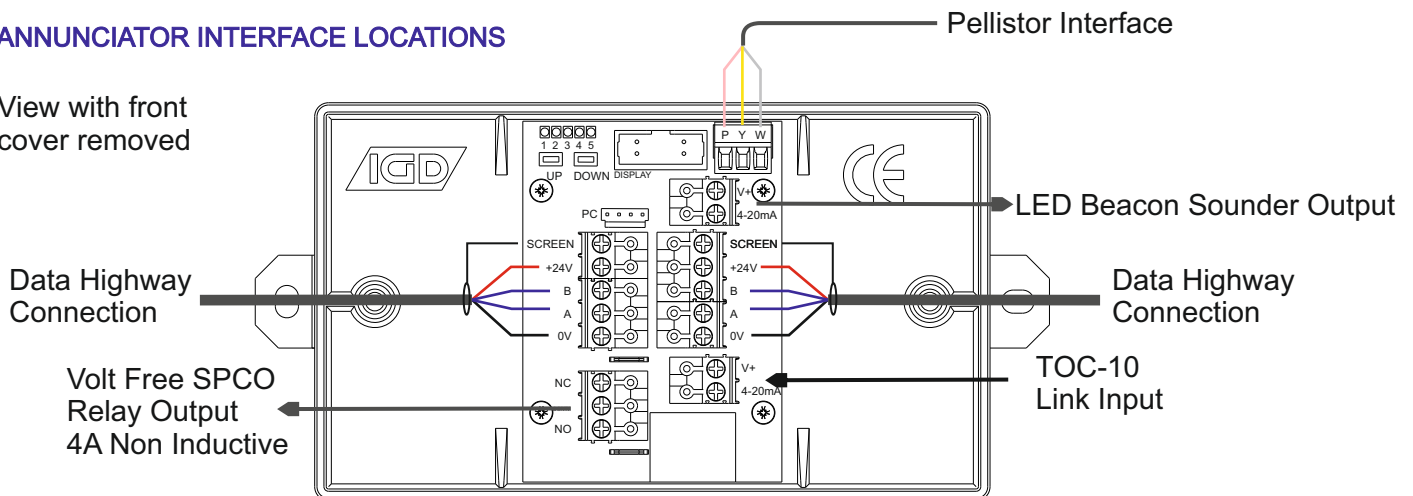


GAS DETECTOR (TOC-12) TECHNICAL

| | |
|---------------|---|
| Housing | ABS, |
| Sealing | IP65 (using suitable glanding) |
| Environment | 0 -95% RH Non Condensing |
| Temperature | 0-55 Deg C |
| Power | 170mA |
| Interface | 3 Wire Analogue mV max 25M P-Y-W IGD Bridge Interface |
| Measurement | 0-100% LEL |
| Accuracy | +/- 2% LEL |
| Repeatability | +/- 1% LEL |

ANNUNCIATOR INTERFACE LOCATIONS

View with front cover removed



IGD

International Gas Detectors

CH₄ H₂S CO₂
NO₂ SO₂ NO

OLIVER IGD

Triton House
Crosby Street
Stockport
SK2 6TS
England

Tel: +44 (0)161 483 1415

Fax: +44 (0) 161 484 2345

Email: sales@internationalgasdetectors.com

Website: www.internationalgasdetectors.com



FS646773

REF: T30ANN-PEL-1

PRODUCT DATA SHEET

www.internationalgasdetectors.com

OLIVER IGD

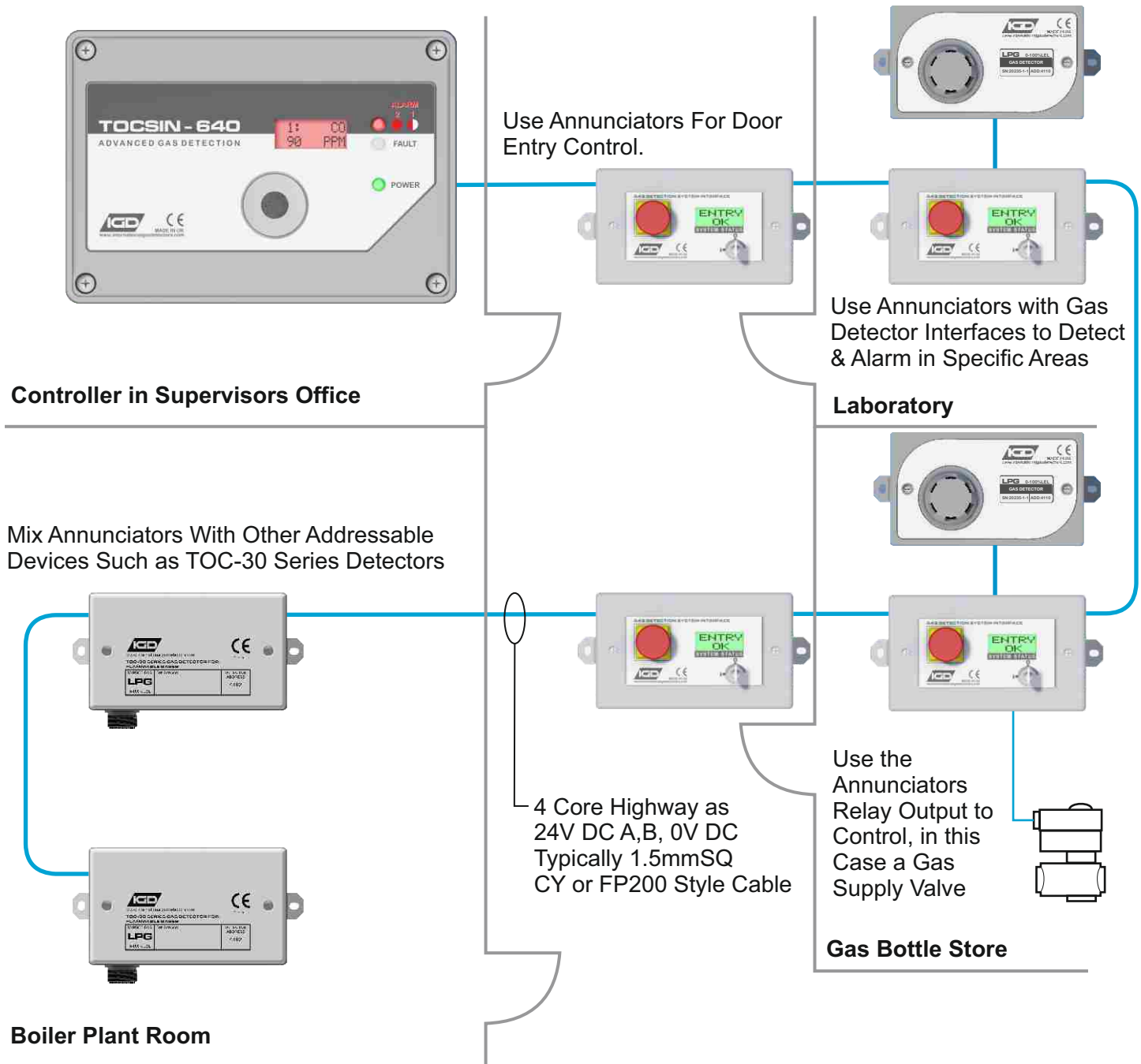
Control Systems

Transmitters

Sensors

Accessories

SYSTEM EXAMPLE



International Gas Detectors

CH₄ H₂S CO₂
NO NO₂ SO₂



Triton House
Crosby Street
Stockport
SK2 6TS
England

Tel: +44 (0)161 483 1415

Fax: +44 (0) 161 484 2345

Email: sales@internationalgasdetectors.com

Website: www.internationalgasdetectors.com



FS646773

REF: T30ANN-PEL-1