



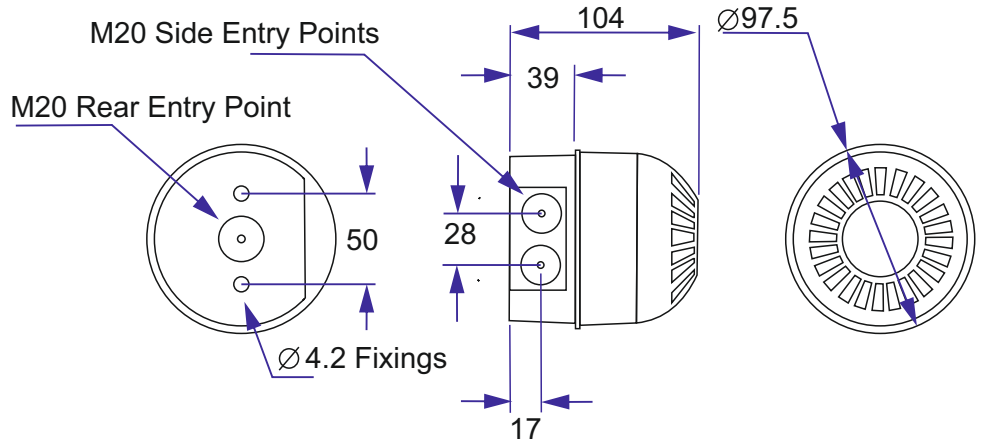
International Gas Detectors

Beacon - Sounder PN 5083101 User Instructions

Specifications

Part Number	5083101
Base Colour	Red
Lens Colour	Amber
Audibility @ 1M	Up to 106 dB
Tones	32
Voltage	17-60V DC
Sounder Current	45mA Max
Beacon Current	5mA
IP Rating	IP65
Cable Entries	2 x 20mm
Temperature	-25°C to 70°C
Rating	Continuous
Frequency	400 to 2850 Hz
Construction	Flame Retardant Polycarbonate

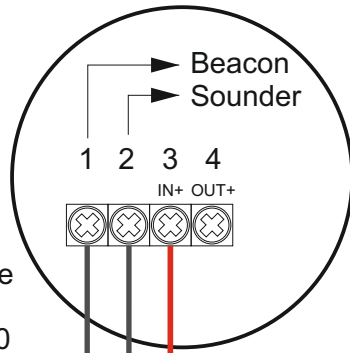
Physical



Deep Base

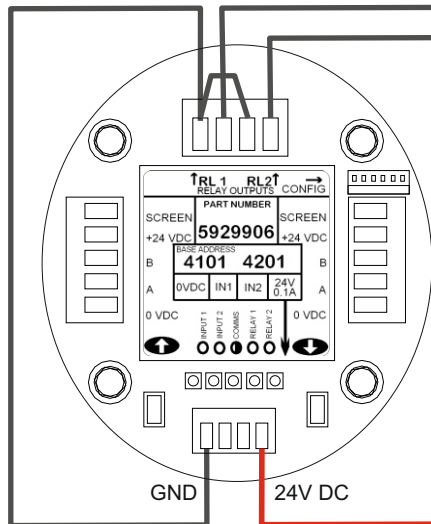
Connection Details to Nodes

This example Relay 1 is Controlling The Beacon Function and Relay 2 The Sounder Function. This Allows The Controller To Be Able to 'Mute' Sounders Whilst Leaving Beacons Running.



Typically 3 Core 0.5mmSQ CY Cable or FP200 Style Cable

Note For Output Nodes

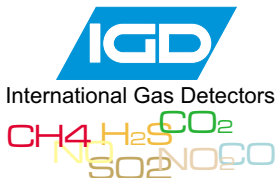
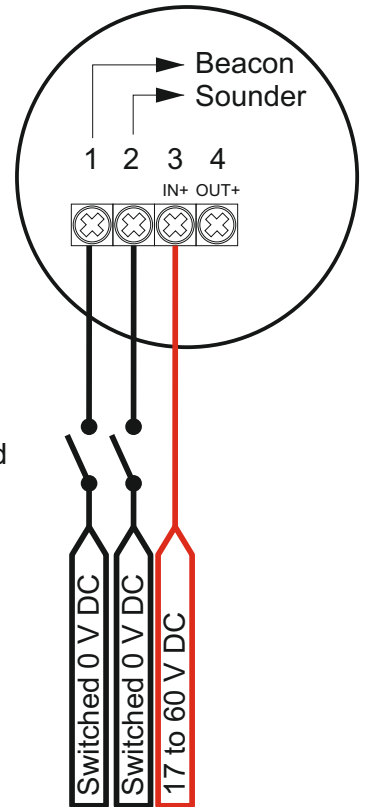


The internal 24V DC supply is fused at 100mA. This supply is intended for switching piezo sounders and xenon beacons only.

Note the unit has a permanent 24V DC Supply and individual switched 0V DC for Beacon and Sounder functions

IGD Supplied Beacon Sounder PN 5083101 Draws 45mA in Operation Allowing 2 Beacon Sounders to be Slaved Together

Connection Details General



Triton House
Crosby St
Stockport
SK2 6TS
England

Tel: +44 (0)161 483 1415
Fax: +44 (0) 161 484 2345
Email: sales@internationalgasdetectors.com
Website: www.internationalgasdetectors.com





International Gas Detectors

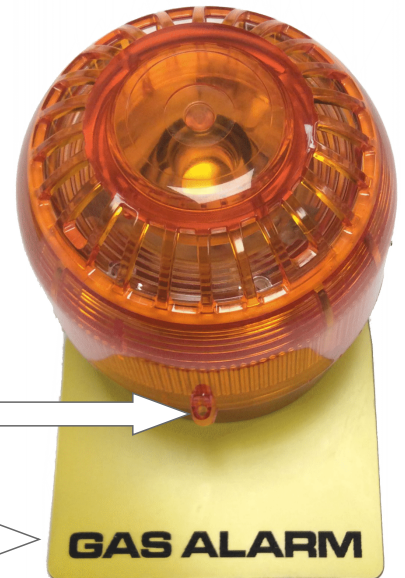
Beacon - Sounder PN 5083101 User Instructions

Tone Selection

Tone	Tone Type	Tone Description - Application	DIP Switch	dB @ 1M	mA
1.	————	970Hz	O-O-O-O-O	99	21
2.	□□□□	800Hz/970Hz @ 2Hz	O-O-O-O-I	100	20
3.	∕∕∕∕	800Hz – 970Hz @ 1Hz	O-O-O-I-O	100	20
4.	- - - -	970Hz 1s OFF/1s ON	O-O-O-I-I	99	14
5.	□□□□	970Hz, 0.5s/ 630Hz, 0.5s	O-O-I-O-O	99	19
6.	□□□□	554Hz, 0.1s/ 440Hz, 0.4s (AFNOR NF S 32 001)	O-O-I-O-I	97	13
7.	∕ ∕ ∕	500 – 1200Hz, 3.5s/ 0.5s OFF (NEN 2575:2000)	O-O-I-I-O	99	16
8.	- - - -	420Hz 0.625s ON/0.625s OFF (Australia AS1670 Alert tone)	O-O-I-I-I	96	9
9.	∕ ∕ ∕	500 – 1200Hz, 0.5s/ 0.5s OFF x 3/1.5s OFF (AS1670 Evacuation)	O-I-O-O-O	98	10
10.	□□□□	550Hz/440Hz @ 0.5Hz	O-I-O-O-I	97	14
11.	- - - -	970Hz, 0.5s ON/0.5s OFF x 3/ 1.5s OFF (ISO 8201)	O-I-O-I-O	98	12
12.	- - - -	2850Hz, 0.5s ON/0.5s OFF x 3/1.5s OFF (ISO 8201)	O-I-O-I-I	94	21
13.	∕∕∕∕	1200Hz – 500Hz @ 1Hz (DIN 33 404)	O-I-I-O-O	99	17
14.	————	400Hz	O-I-I-O-I	95	13
15.	□□□□	550Hz, 0.7s/1000Hz, 0.33s	O-I-I-I-O	98	17
16.	∕∕∕∕	1500Hz – 2700Hz @ 3Hz	O-I-I-I-I	104	34
17.	————	750Hz	I-O-O-O-O	99	18
18.	————	2400Hz	I-O-O-O-I	106	45
19.	————	660Hz	I-O-O-I-O	96	17
20.	- - - -	660Hz 1.8s ON/1.8s OFF	I-O-O-I-I	96	12
21.	- - - -	660Hz 0.15s ON/0.15s OFF	I-O-I-O-O	96	11
22.	□□□□	510Hz, 0.25s/ 610Hz, 0.25s	I-O-I-O-I	98	15
23.	□□□□	800/1000Hz 0.5s each (1Hz)	I-O-I-I-O	100	21
24.	∕∕∕∕	250Hz – 1200Hz @ 12Hz	I-O-I-I-I	98	13
25.	∕∕∕∕	500Hz – 1200Hz @ 0.33Hz	I-I-O-O-O	99	17
26.	∕∕∕∕	2400Hz – 2900Hz @ 9Hz	I-I-O-O-I	101	40
27.	∕∕∕∕	2400Hz – 2900Hz @ 3Hz	I-I-O-I-O	104	40
28.	∕∕∕∕	800Hz – 970Hz @ 100Hz	I-I-O-I-I	100	20
29.	∕∕∕∕	800Hz – 970Hz @ 9Hz	I-I-I-O-O	99	20
30.	∕∕∕∕	800Hz – 970Hz @ 3Hz	I-I-I-O-I	100	20
31.	- - - -	800Hz, 0.25s ON/1s OFF	I-I-I-I-O	99	8
32.	∕ ∕ ∕	500Hz – 1200Hz, 3.75s/0.25s OFF (AS2220)	I-I-I-I-I	99	17

Installation

If required the beacon sounder can be locked to its base using its locking screw.
 The O ring supplied must be fitted and suitable glands fitted to achieve IP65 Sealing.
 A separate earth terminal is provided for the continuous connection of screens or functional earthing
 'Gas Alarm' legends are provided as standard and are fitted using the beacon sounder fixings.



Locking Screw

Gas Alarm Legend

GAS ALARM