

PRODUCT DATA SHEET

www.internationalgasdetectors.com

OLIVER IGD

Control Systems

Transmitters

Sensors

Accessories

TOC-30A Series Gas Detectors

TOC-30A Series Gas Detectors provide accurate measurement of the background atmosphere to measure for a specific hazardous target gas. Clean lines and easy integration into existing or newly planned control systems make the TOC-30A the safety engineers device of choice. Using the latest microprocessor addressable technology and software TOC-30A is a reliable long term monitoring solution.

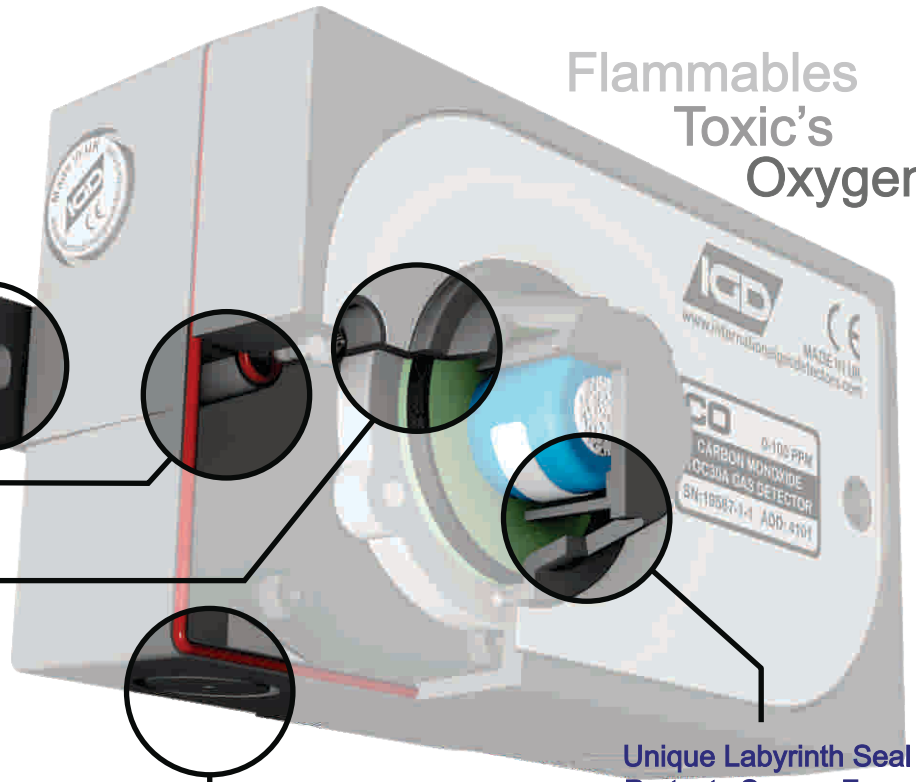
TOC-30A is supplied pre-calibrated ready to use.

Flexible options allow wall mounting, Dado mounting, Flush wall mount with adaptors for ducts, ceilings etc.

Flammable gas detector versions come in 2 styles, TOC-30A with MK7 pellistors and TOC-31A with MK6 pellistors. The latter has a seperable detector with M22 thread for easy mounting into ducting and containment.



TOC-30A Version Indicated



Flammables
Toxic's
Oxygen

External Mountings
Allow First Fit without
Opening Housing

IP Rated Seals
Effective Protection
From Moisture and
dust ingress

Sensor Sealed From
Terminal Enclosure
Preventing Gas
Ingress

Unique Labyrinth Seal
Protects Sensor From
Debris and Moisture
Without Compromising
Performance

Pellistors
Electrochemical
Infra-Red

6 Standard 20mm
Gland Entry Knockouts

IGD

International Gas Detectors

CH₄ H₂S CO₂
NO₂ NO SO₂

OLIVER IGD

Triton House
Crosby Street
Stockport
SK2 6TS
England

Tel: +44 (0)161 483 1415

Fax: +44 (0) 161 484 2345

Email: sales@internationalgasdetectors.com

Website: www.internationalgasdetectors.com



FS646773
REF: T30A-H

PRODUCT DATA SHEET

www.internationalgasdetectors.com



Control Systems

Transmitters

Sensors

Accessories

Standard Specifications

Power	18-28V DC (Loop Powered)
Construction	ABS
Output	4 Wire Addressable
General Accuracy	+/-2% of Range
Temperature	-5 to 55 Deg C
Humidity	5-95% RH Non-Condensing
Sealing	IP54
Weight	425g

Sensor Accuracies & Response Times

Sensor Response times and accuracies are determined by the type of sensor used. The following table provides general guidance for tests carried out by IGD at standard conditions.

Type	T90 Response	Accuracy
Pellistors	<10s	+/-2% LEL
Infra Red	<15s	+/-2% of Range
Electrochemical as CO,H2S,SO2	<30s	+/-2% of Range
as O2	<15s	
as NO2,CL,NH3	<50s	

Standard Features

- 4-Wire Addressable Technology
- Detector Technology to Suit the Application
- Available as:
 - Infra red (Flammables and CO2)
 - Pellistor (Flammables)
 - Electrochemical (Toxic's and Oxygen)
- Standard 2 Gang Pattress for TOC-30A Version
- Dado Mount or Wall Mount
- Pre-calibrated
- In-Service Calibration Possible
- Replaceable Sensor
- Accessories for Duct Mounting, Sampling, bulkhead Mounting etc
- Excellent Stability and Repeatability.
- Compensated for Temperature and Drift

Typical Applications

- Commercial Kitchens
- Laboratories
- Classrooms
- Plant Rooms
- HVAC Applications
- Pipeline Monitoring
- Hotels
- Residences



TOC-31A Version



TOC-30A Version



International Gas Detectors
 CH₄ H₂S CO₂
 NO₂ SO₂ NO₂ SO



Triton House
 Crosby Street
 Stockport
 SK2 6TS
 England

Tel: +44 (0)161 483 1415

Fax: +44 (0) 161 484 2345

Email: sales@internationalgasdetectors.com

Website: www.internationalgasdetectors.com



FS646773
 REF: T30A-H

PRODUCT DATA SHEET

www.internationalgasdetectors.com

OLIVER IGD

Control Systems

Transmitters

Sensors

Accessories

EC Declaration of Conformity



Issuers name and address:

Oliver IGD Limited of
Triton House
Crosby St,
Stockport,
United Kingdom

Declares that the product listed as:

TOC-30A & TOC-31A

Addressable Hazardous Gas Detector

Are in conformity with the provisions of the following European Directive(s) when installed, operated, serviced and maintained in accordance with the installation and operating instructions contained in the product documentation.

2004/108/EC **EMC Directive**
2006/95/EC **Low Voltage Equipment Directive** (note not applicable to 24V DC Powered Versions)

And that the standards and/or technical specifications referenced below have been applied or considered.

EN 61779-1:2000 Electrical apparatus for the detection and measurement of flammable gases, general requirements and test methods.

EN 50271:2010 Electrical apparatus for the detection and measurement of combustible gases, toxic gases or Oxygen: requirements and tests for apparatus using software and or digital technologies. *Excluding requirements for SIL*

EN 61000-6-2: 2005 EMC Generic standards. Immunity for industrial environments
EN 61000-6-4/A1: 2011 EMC Generic standards. Emission standard for industrial environments
EN 61000-3-2: 2014 EMC Limits. Limits for harmonic current emissions (equipment input current ≤ 16 A per phase)
EN 61000-3-3: 2013 EMC Limits. Limitation of voltage changes, voltage fluctuations and flicker in public low-voltage supply systems, for equipment with rated current ≤ 16 A per phase

Technical File Reference T30-TF9

Oliver IGD Limited Operate and
Independently assessed ATEX/IECEX QAN.

Oliver IGD Limited operate an independently
assessed ISO9001:2008 Quality Management
System.

Testing Agency:

Quality Assurance Certificate Number
ExVeritas 16PQAN0014

Quality Assurance Notification Number:
2585

Quality Management Certificate Number
FS 646773

TUV - SUD
Octagon House
Concorde Way
PO 15 5RL
Fareham



Mehr Sicherheit.
Mehr Wert.

ExVeritas,
Units 16-18,
Abenbury Way,
Wrexham Industrial Estate,
Wrexham, UK, LL13 9UZ

BSI Assurance UK LTD,
Chiswick High Road,
London
W4 4AL
UK

Issued on: June 2016 At Oliver IGD Limited, Stockport, SK2 6TS, United Kingdom

Signature:  Declaration of Conformity in accordance with EN ISO/IEC 17050-1:2004

Name Andrew J Collier M.I.O.D

Position: Managing Director Date: June 2016 Declaration Ref: TOC-30A-June-3



International Gas Detectors

CH₄ H₂S CO₂
NO₂ NO₂ SO₂



Triton House
Crosby Street
Stockport
SK2 6TS
England

Tel: +44 (0)161 483 1415
Fax: +44 (0) 161 484 2345
Email: sales@internationalgasdetectors.com
Website: www.internationalgasdetectors.com



FS646773
REF: T30A-H

PRODUCT DATA SHEET

www.internationalgasdetectors.com

OLIVER IGD

Control Systems

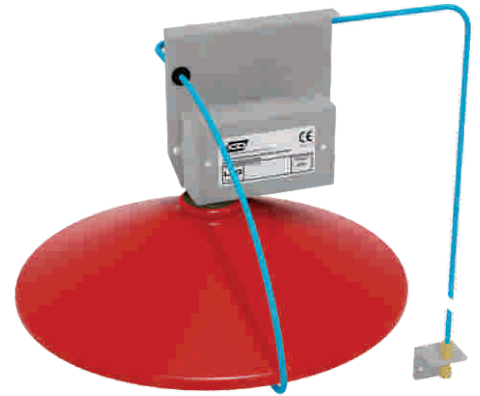
Transmitters

Sensors

Accessories

Order Codes

Gas	Standard Range	Order Code	Typical Cell Life
Flammable Gases external sensor	0-100% LEL	TOC-31A-PHC	>3 Years
Flammable Gases internal sensor	0-100% LEL	TOC-30A-PHC	>3 Years
Carbon Monoxide Lo	0-100ppm	TOC-30A-CO	>5 Years
Carbon Monoxide Hi	0-1000ppm	TOC-30A-HCO	>5 Years
Oxygen	0-30% Vol	TOC-30A-O2	>5 Years
Nitric Oxide	0-200ppm	TOC-30A-NO	>2 Years
Nitrogen Dioxide	0-20ppm	TOC-30A-N2O	>2 Years
Ammonia	0-100ppm	TOC-30A-NH3	>2 Years
Chlorine	0-20ppm	TOC-30A-CL2	>2 Years
Sulphur Dioxide	0-5ppm	TOC-30A-SO2	>2 Years
Boron Trichloride	0-10ppm	TOC-30A-BCL3	>2 Years
Carbon Dioxide	5000ppm	TOC-30A-LCO2	>5 Years
	0-5%	TOC-30A-HCO2	>5 Years
Hydrogen	0-1000ppm	TOC-30A-H2	>2 Years
Hydrogen Sulphide	0-50ppm	TOC-30A-H2S	>3 Years
Hydrogen Chloride	0-10ppm	TOC-30A-HCL	>2 Years
Nitrous Oxide	0-1000ppm	TOC-30A-NO	>2 Years
Silane	0-10ppm	TOC-30A-SIH4	>2 Years



Detector Fitted with gas collector cone and remote gassing facility

TOC-31A-PHC Version



TOC-31A-PHC Version uses a MK6 Flammable Gas Detector with M22 x 1.5 Threaded front. This allows easy fitting to threaded bosses, ducts, splash guards etc

TOC-30A-Version



Accessory Order Codes

Gas Collector Cone	5138801
Ceiling Mount Kit (TOC-31A-PHC)	50006601
Remote Gassing Kit	5110101
Cal Gas Adaptor (TOC30A)	5925701
Cal Gas Adaptor (TOC31A)	4011109
Splashguard (TOC30A)	TOC-30-GD
Splashguard (TOC31A)	5138701

PRODUCT DATA SHEET

www.internationalgasdetectors.com



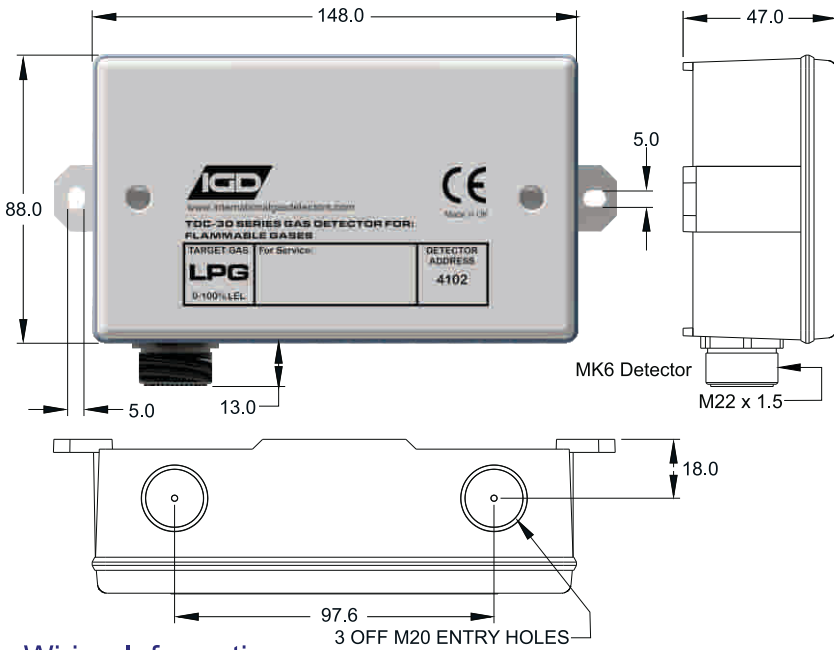
Control Systems

Transmitters

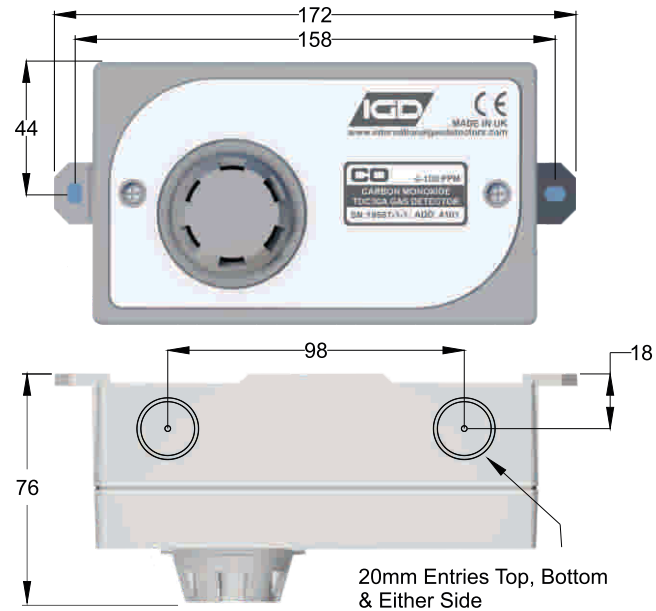
Sensors

Accessories

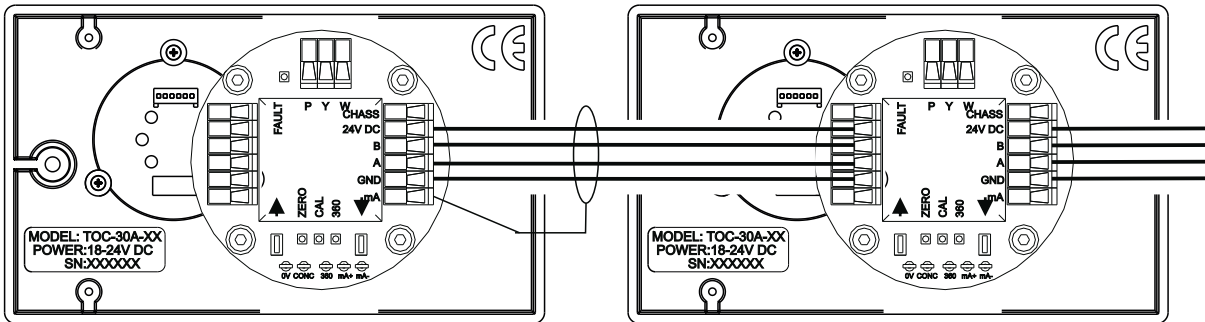
Physical Size TOC-31A Version



Physical Size TOC-31A Version



Wiring Information



Detector Fitted With Gas Collector Cone

Set Alarms Interface to Beacons/sounders Other Systems



Controller Shown For Information Only

Use screened cable typically FP200 or CY style cable, 4 core min 1.5mmSQ. Ground cable screens to the earth studs provided.

Note typically up to 32 detectors can be accommodated on a single cable run.

Addressable detectors will require a suitable controller for further information see data sheets for TOCSIN-640 (indicated right), TOCSIN 625, Tocsin i700 or Tocsin 920 Series Controllers.



International Gas Detectors
CH₄ H₂S CO₂
NO NO₂ SO₂



Triton House
Crosby Street
Stockport
SK2 6TS
England

Tel: +44 (0)161 483 1415
Fax: +44 (0) 161 484 2345
Email: sales@internationalgasdetectors.com
Website: www.internationalgasdetectors.com



FS646773
REF: T30A-H