

# TOC-625 MICRO SERIES GAS DETECTION SYSTEM



TOC-625-MCP is a multi-channel detector controller in an easily installed and implemented small format package using pre-made plug and socket cables. The system can be used with the Tocsin Addressable range of detectors or I/O modules listed in the auto setup table. The use of pre-made cables means there is very little installation required, reducing cost and enhancing safety. 625 Micro has a unique Auto Setup Function. Use the Setup Wizard at Startup

- TOC-625-MCP Automatically Finds Connected Devices
- Detected Devices are Automatically Installed
- Alarm Levels and Outputs are Automatically Set

The control panel should be located outside the area where the detectors are located so that it is not necessary to enter to the area with a gas alarm to reset or check the controller.

For detector locations refer to IGD document BS023 Siting Gas Detectors. This is available from the downloads area of our website.

Detectors are supplied pre-calibrated. If it is required to check or demonstrate operation, test gas kits are available from IGD

Auto Setup Table 1

Note Alarms Levels and Types Are Fixed and Cannot be Adjusted

Gas	Outputs	Range	Type	Alarm 1 / Relay 1	Alarm 2 / Relay 2
Flammables		0-100% LEL	Rising - Latching	10% LEL	20% LEL
Carbon Monoxide		0-100ppm	Rising - Latching	30ppm	75ppm
Carbon Dioxide		0-5000ppm	Rising - Latching	1500ppm	5000ppm
Carbon Dioxide		0-5%	Rising - Latching	0.5%	1.5%
Chlorine		0-5ppm	Rising - Latching	0.5ppm	1ppm
Oxygen		0-25%	Falling - Latching	19.5%	18.5%
Hydrogen Sulphide		0-50ppm	Rising - Latching	5ppm	10ppm

Relay 1 and Relay 2 on the TOC-625-Micro are set to be normally energised, de-energising on alarm or power failure.

The TOC-625-Micro can FIND up to 10 devices. These can be any mix of gas detectors and up to 2 output nodes

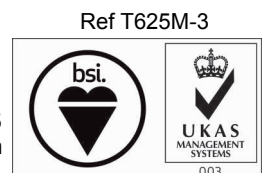
The TOC-625-Micro can FIND up to 4 addressable relays on 2 output nodes. Relay nodes supplied with TOC-625-Micro need to be addressed as follows and will operate according to the following table.

Relays Active on First Alarm	Output Node 1		Output Node 2	
	Relay 1	Relay 2 Mutable	Relay 1	Relay 2 Mutable
Node Relay Address	4201	4202	4203	4204

Note that mutable relays re-energise on second alarm.



Tel: +44 (0)161 483 1415  
Fax: +44 (0) 161 484 2345  
Email: sales@internationalgasdetectors.com  
Website: www.internationalgasdetectors.com



Ref T625M-3



International Gas Detectors

### Electrical Details Figure 1 24V DC Operation

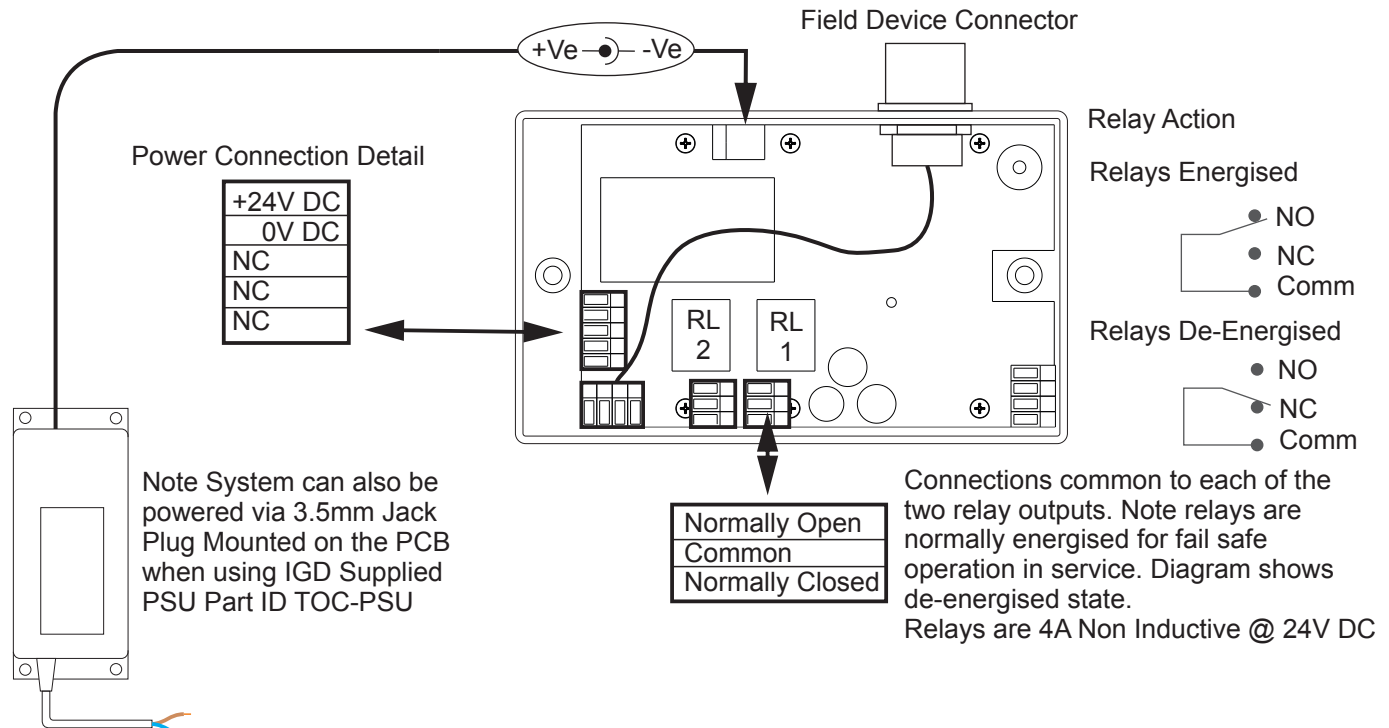
Electrical Power: 18-28V DC	Electrical Load:	TOC-625 Micro Controller in Alarm State 0.3A @ 24 V DC
		TOC-30 Series Addressable Gas Detector 0.1A @ 24 V DC
		TOC-30 Series Relay Node Activated 0.2A @ 24 V DC

Power Requirements For 8 Detectors and 2 Nodes From Above Table = 1.5A

**Important Note:**

If you are using a floating output DC supply that does not have a grounded output then with the case open high voltages could be present. Power down equipment before opening the housing and ensure installation is by a competent person.

### Rear View Front View Cover Open TOC-625 Micro



External Mains PSU Via Fused Spur

There can be up to 8 Gas detectors on the system, these can be any mix of gas detector types on the highway. For example Flammable Gas Detectors, Carbon Monoxide, Oxygen etc. This example shows 2

#### Cable Order Codes

1M Male -Female Cable M16	T30-1M-CBL
3M Male - Female Cable M16	T30-3M-CBL
6M Male - Female Cable M16	T30-10M-CBL

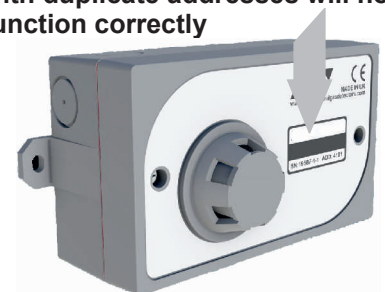
There can be up to 2 Addressable Relay Nodes on a system. These provide 2 single pole relays and if fitted then when the FIND function is run they will set up to the table on page 1



Detectors, Nodes and Beacon Sounders Connect Together Using Pre-Made Cable Assemblies. These Can be Inter-Connected to Make Longer Runs

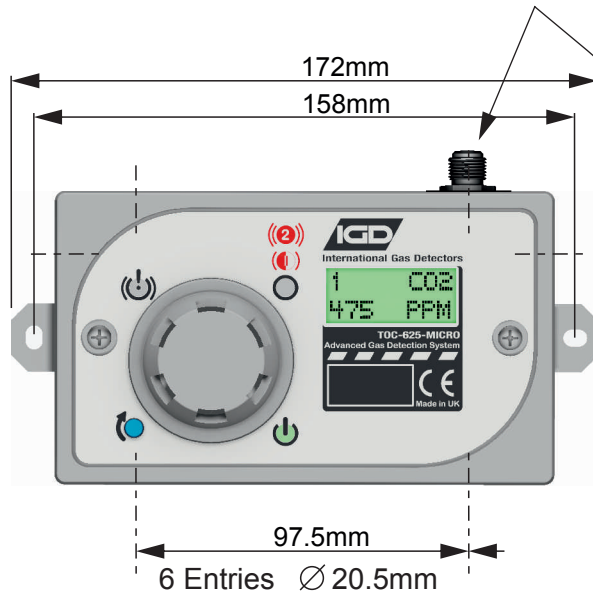
**NOTE**

**Detectors and Nodes MUST have unique addresses. These will be indicated on the cover on the detector or node. Detectors or Nodes with duplicate addresses will not function correctly**

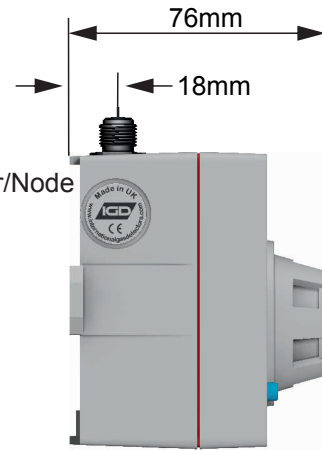




**Front View**



**Side View**



5 Way M16 Connector For Detector/Node Connection

Temp Rating

-5 to To 55 Deg C

Humidity Rating

0-95% RH Non-Condensing

Sealing

IP54

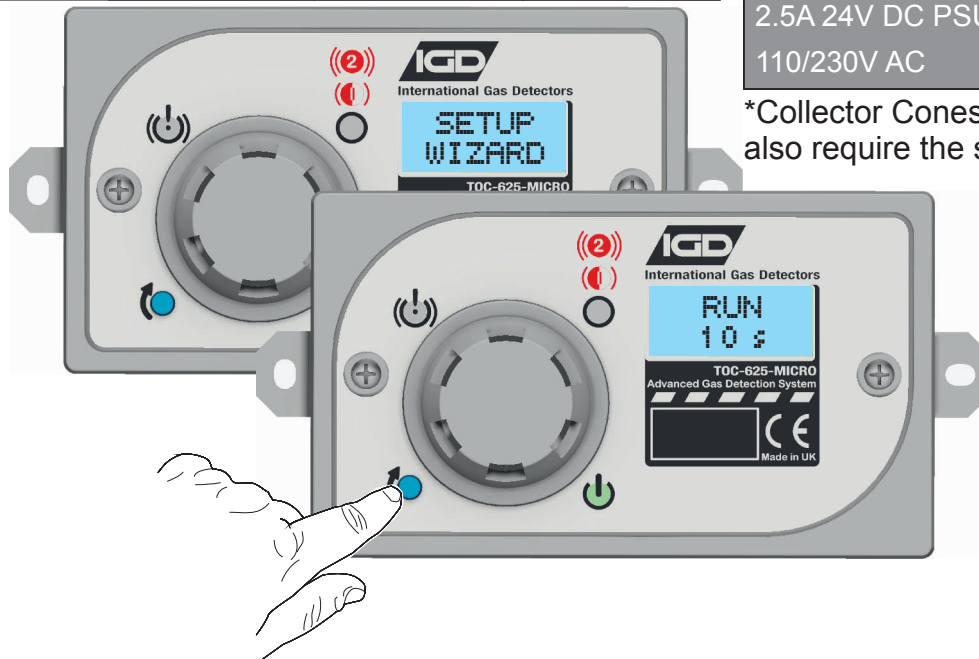
**Detector Order Codes With M16 Connectors**

Gas	Standard Range	Order Code	Typical Cell Life
Flammable Gases	0-100% LEL	TOC-30P-PHC	>3 Years
Carbon Monoxide	0-100ppm	TOC-30P-CO	>5 Years
Oxygen	0-30% Vol	TOC-30P-O2	>5 Years
Chlorine	0-20ppm	TOC-30P-CL2	>2 Years
Carbon Dioxide	0-5%	TOC-30P-CO2	>5 Years
Carbon Dioxide	0-5000ppm	TOC-30P-LCO2	>5 Years
Hydrogen Sulphide	0-50ppm	TOC-30P-H2S	>3 Years

**Accessory Order Codes**

Gas Collector Cone*	5210101
Remote Gassing Kit*	5110150
Cal Gas Adaptor	5925701
Splashguard	TOC-30-GD
Output Relay Node (Use With Beacons)	TOC-30P-NDE
Beacon Sounder With Signage	TOC-30P-BCN
5A PSU With Battery Backup 110/230V AC	TOC-PSU-B
2.5A 24V DC PSU 110/230V AC	TOC-PSU

**Start up**



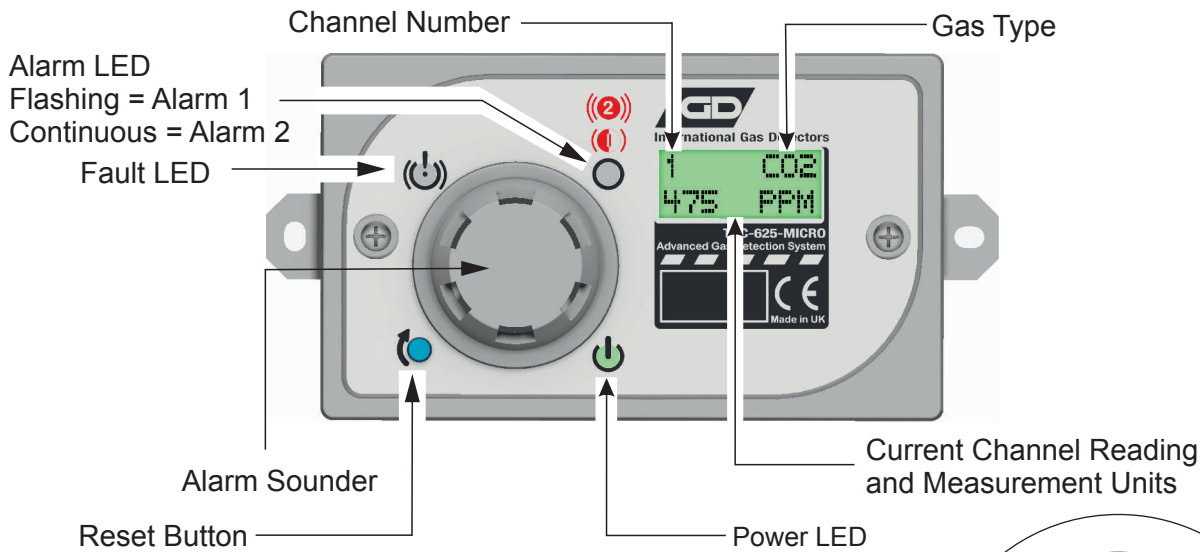
\*Collector Cones and remote gassing kits also require the splash guard to be fitted

After the start up cycle the Setup Wizard is displayed and RUN option will be available for 10 seconds. Press the button during this period and the TOC-625 Micro will search for connected detectors and relay nodes. Based on the devices found the controller will set itself up based on table 1. No operator intervention is required. Gas channels will be automatically configured based on the devices found. Need to add or remove a detector or node? Just make the physical changes and select the RUN option again on power up

## User Actions....Day to Day Operation



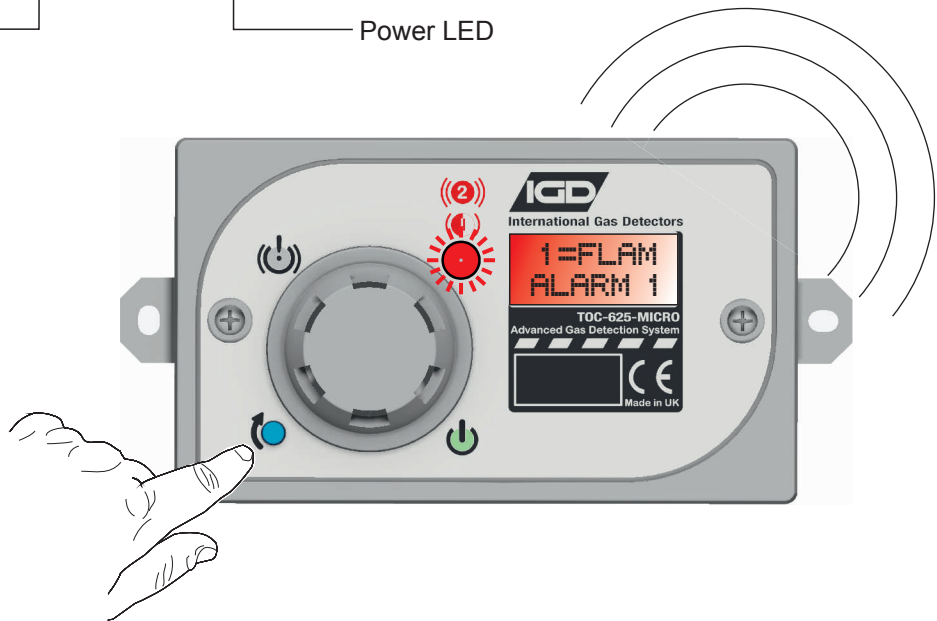
Once fully installed the TOC-625 controller will continuously monitor connected gas detectors and sensors and compare current values with any set alarm thresholds. The display will cycle to display each channel in turn.



### In Alarm Condition

In alarm mode the RED alarm led will either be flashing for alarm level 1 or solid for alarm level 2. The bottom line of the display will indicate:

- Alarm 1
- Alarm 2
- Alarm 1&2

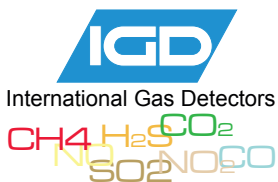
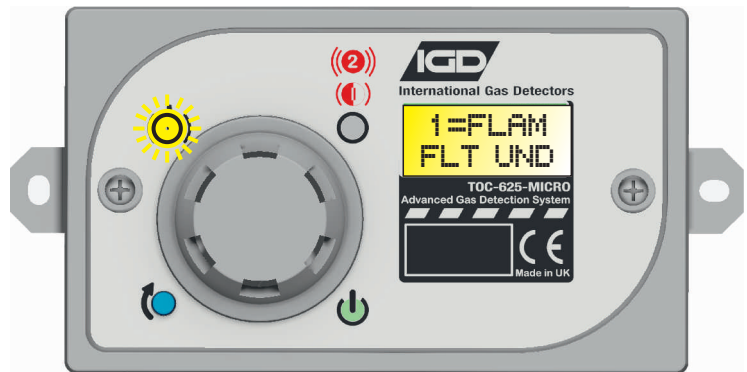


The back light will flash red and the display will indicate which alarm level and which channel is in alarm. The sounder will also activate. Pressing the button will silence the sounder and mute the relay nodes if connected as indicated in table 1. If the gas is still breaching the alarm threshold it will not be possible to reset the alarm

### In Fault Condition

In FAULT mode the Yellow fault led will be on. The bottom line of the display will indicate as follows:

- FLT COM communication error to sensors
- FLT SEN Sensor Error
- FLT OVR Sensor Over Range
- FLT UND Sensor Under Range



Tel: +44 (0)161 483 1415  
 Fax: +44 (0) 161 484 2345  
 Email: sales@internationalgasdetectors.com  
 Website: www.internationalgasdetectors.com



Ref T625M-3