

PRODUCT DATA SHEET

www.internationalgasdetectors.com

OLIVER IGD

Control Systems

Transmitters

Sensors

Accessories

TOCSIN 640

Fast, Effective Gas Detection System Controller



TOCSIN 640 is a multi-channel detector controller. Easy to install set up and operate with powerful interface features.

Two Case Styles Are Available

The systems can be used with any of the Tocsin Addressable range detectors or I/O modules providing maximum flexibility.

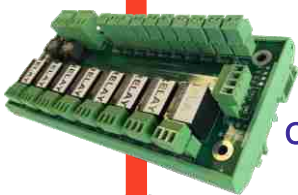
Up to 24 Addressable Devices

Wall and panel mount options are available.

The enclosures can accommodate bottom or rear conduit entries where cabling is buried into walls etc.

The controller has three SPCO relays as standard, which can be extended with external modules.

An RS485 Modbus interface is provided as well as dedicated interlocks for E-stops and fire systems.



Addressable I/O Cards
Control Where its Needed




Data Highway Support **Up to 32 Gas Detectors/Devices Using 2 Core Cable**



Local Displays With Options for Slam Switches, Sounders Detectors and I/O

Addressable Gas Detectors. Flammables, Toxic's, Oxygen

4 Core Cable

Addressable ATEX Gas Detectors. Flammables, Toxic's, Oxygen 

IGD
International Gas Detectors
CH₄ H₂S CO₂
NO₂ SO₂

OLIVER IGD
Triton House
Crosby Street
Stockport
SK2 6TS
England

Tel: +44 (0)161 483 1415
Fax: +44 (0) 161 484 2345
Email: sales@internationalgasdetectors.com
Website: www.internationalgasdetectors.com



FS646773
Ref: ROS64D

PRODUCT DATA SHEET

www.internationalgasdetectors.com

OLIVER IGD

Control Systems

Transmitters

Sensors

Accessories

Features

Flexible Power Supply Options

Wall or Panel Mounting

Relay Outputs as Standard

4-20mA Output as Standard

RS485 Modbus as Standard

Control up to 24 Devices as Gas Detectors or I/O Modules

LCD Display With Multi Colour Backlight, Flashes Red on Alarm, Flashes Yellow on Fault etc

E-Stop Input (System Configurable)

Dedicated Interlock to Fire Systems (System Configurable)

Battery Backup Option

Standard Specifications

Power TOC-640-230 110/230V AC 50/60Hz 25W
TOC-640-24 24V DC Option
TOC-640-150 110/230V AC 50/60Hz 150W
TOC-640-150B 110/230V AC 50/60Hz 150W

Construction ABS

Display 2 Lines x 8 Digit LCD Display
Multi-Colour Backlight (Red-Alarm, Yellow-Fault, Blue-Normal)

User IGD Jog Wheel Option Select

Outputs 3 off SPCO Relays 4A Non-Inductive User Configurable
1 off 4-20mA Linear Output User Configurable

Other I/O Sounder 80dB @ 100mm (Mutable)
RS485 Port Modbus
Dedicated E-Stop Input
Dedicated Fire System Interlock

Inputs Up to 24 off Addressable Series Detectors or I/O Modules
Note external Booster PSU may be required with TOC-640-230

Temperature -5 to 55 Deg C

Humidity 0-95% RH Non-Condensing

Sealing IP54

Mounting Wall Mount, Panel Mount Kit Option

Weight TOC-640-230 0.84 Kg
TOC-640-150 1.25 Kg
TOC-640-150B 1.60 Kg



REF: ROS64D



International Gas Detectors

CH₄ H₂S CO₂
NO NO₂ SO₂



Triton House
Crosby Street
Stockport
SK2 6TS
England

Tel: +44 (0)161 483 1415

Fax: +44 (0) 161 484 2345

Email: sales@internationalgasdetectors.com

Website: www.internationalgasdetectors.com



FS646773
Ref: ROS64D

PRODUCT DATA SHEET

www.internationalgasdetectors.com

OLIVER IGD

Control Systems

Transmitters

Sensors

Accessories

EC Declaration of Conformity

Issuers name and address:

Oliver IGD Limited of
Triton House
Crosby St,
Stockport,
United Kingdom



Declares that the product listed as:

TOC-640

Single or Multi-Channel Detector Control Panel

Are in conformity with the provisions of the following European Directive(s) when installed, operated, serviced and maintained in accordance with the installation and operating instructions contained in the product documentation.

2004/108/EC **EMC Directive**
2006/95/EC **Low Voltage Equipment Directive** (note not applicable to 24V DC Powered Versions)

And that the standards and/or technical specifications referenced below have been applied or considered.

EN 61779-1:2000	Electrical apparatus for the detection and measurement of flammable gases, general requirements and test methods.
EN 50271:2010	Electrical apparatus for the detection and measurement of combustible gases, toxic gases or Oxygen: requirements and tests for apparatus using software and or digital technologies. <i>Excluding requirements for SIL</i>
EN 61000-6-2:2005	EMC Generic standards. Immunity for industrial environments
EN 61000-6-4:2007/A1:2011	EMC Generic standards. Emission standard for industrial environments
EN 61000-3-2:2014	EMC Limits. Limits for harmonic current emissions (equipment input current ≤ 16 A per phase)
EN 61000-3-3:2013	EMC Limits. Limitation of voltage changes, voltage fluctuations and flicker in public low-voltage supply systems, for equipment with rated current ≤ 16 A per phase
Technical File Reference	T640-TF9

Product Markings **CE** **TOC-640** *SI*-serial number

Oliver IGD Limited Operate and Independently assessed ATEX/IECEX QAN.

Oliver IGD Limited operate an independently assessed ISO9001:2008 Quality Management System.

Testing Agency:

Quality Assurance Certificate Number
ExVeritas 16PQAN0014

Quality Management Certificate Number
FS 646773

TUV - SUD
Octagon House
Concorde Way
PO 15 5RL
Fareham



Quality Assurance Notification Number:
2585

ExVeritas,
Units 16-18,
Abenbury Way,
Wrexham Industrial Estate,
Wrexham, UK, LL13 9UZ

BSI Assurance UK LTD,
Chiswick High Road,
London
W4 4AL
UK

Mehr Sicherheit.
Mehr Wert.

TUV Certificates and reports can be checked on-line at https://www.tuev-sued.de/industry_and_consumer_products/certificates

Issued on: 20th Feb 2016

At Oliver IGD Limited, Stockport, SK2 6TS, United Kingdom

Signature:

Declaration of Conformity in accordance with EN ISO/IEC 17050-1:2010

Name

Andrew J Collier M.I.O.D

Position: Managing Director

Date: 20th Feb 2016

Declaration Ref: TOC-640-DEC-1



International Gas Detectors

CH₄ H₂S CO₂
NO₂ NO₂ SO₂



Triton House
Crosby Street
Stockport
SK2 6TS
England

Tel: +44 (0)161 483 1415

Fax: +44 (0) 161 484 2345

Email: sales@internationalgasdetectors.com

Website: www.internationalgasdetectors.com



FS646773
Ref: ROS64D

PRODUCT DATA SHEET

www.internationalgasdetectors.com

OLIVER IGD

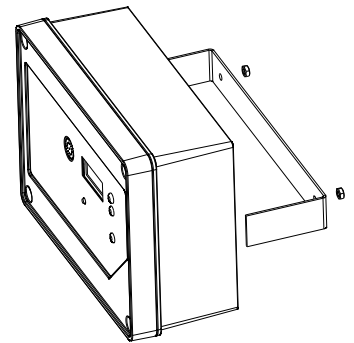
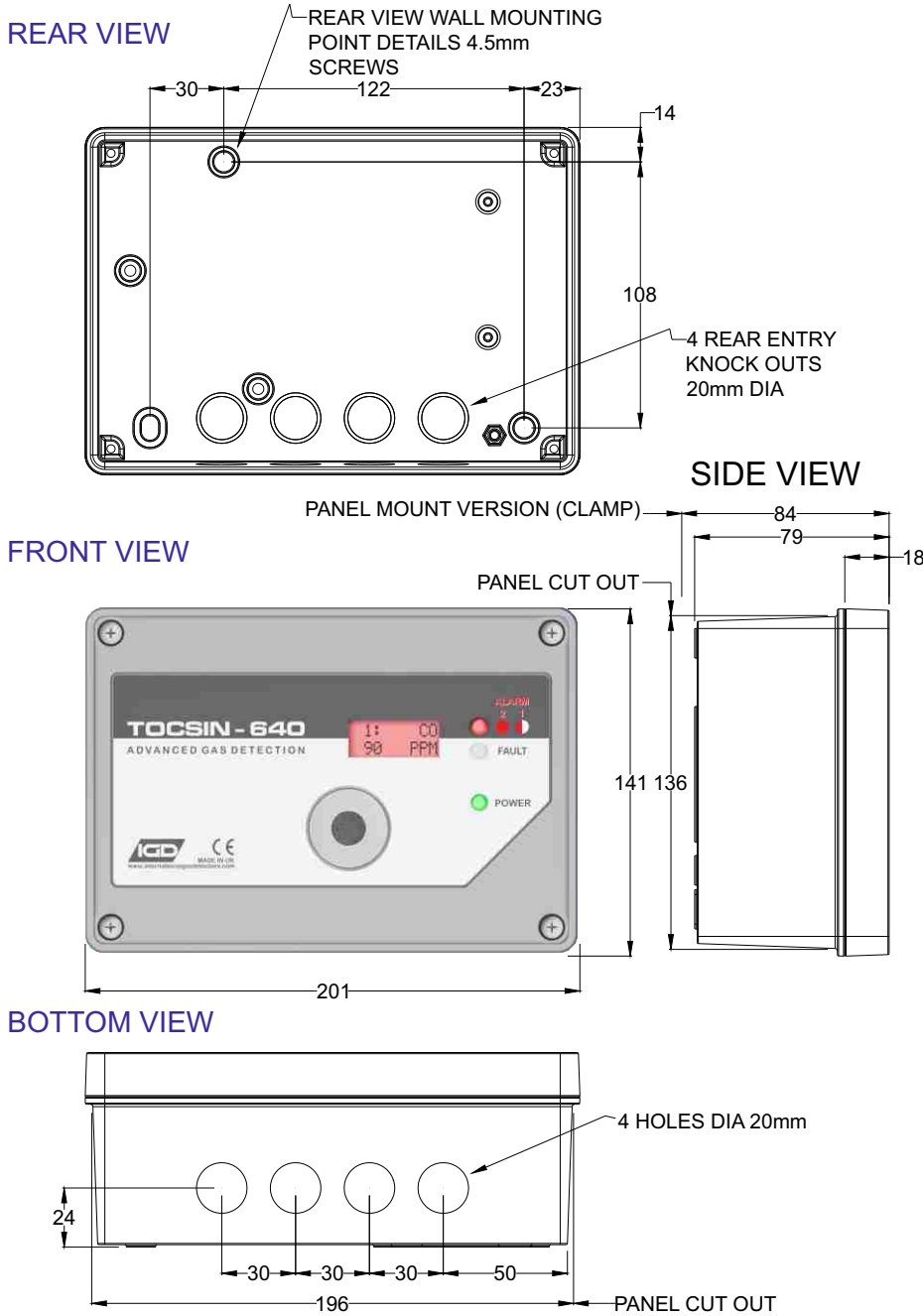
Control Systems

Transmitters

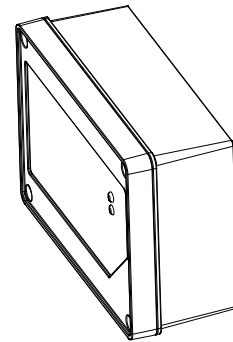
Sensors

Accessories

Tocsin 640, 25 Watt Version Physical



Optional Panel Mounting Kit
PN 5686401



Optional Battery Backup Kit
PN 5686601

Note this module uses the same style enclosure as the TOCSIN 640 and houses batteries and charge control. It is usually mounted below the TOC-640 and is supplied with all required connectors.

PRODUCT DATA SHEET

www.internationalgasdetectors.com

OLIVER IGD

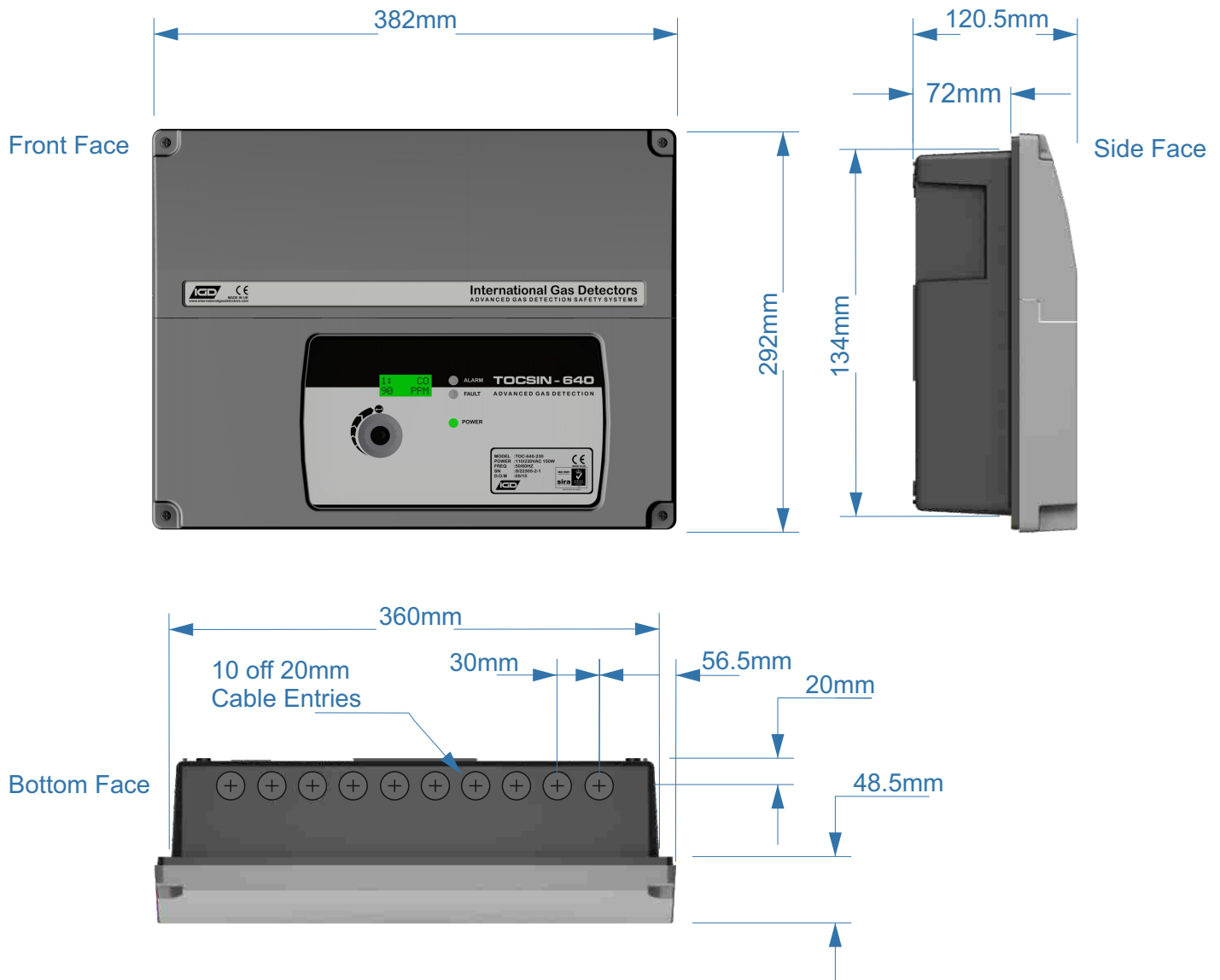
Control Systems

Transmitters

Sensors

Accessories

Tocsin 640, 150 Watt Version Physical



Installation Cables

Supported Installation Cables 2 Core 1.5mmSQ or 2.5mmSQ See IGD Cable System Calculator

Typically SWA, MICC, FP200, SY, CY, H03VVH2-F Mains Cable Unscreened or Similar

PRODUCT DATA SHEET

www.internationalgasdetectors.com

OLIVER IGD

Control Systems

Transmitters

Sensors

Accessories

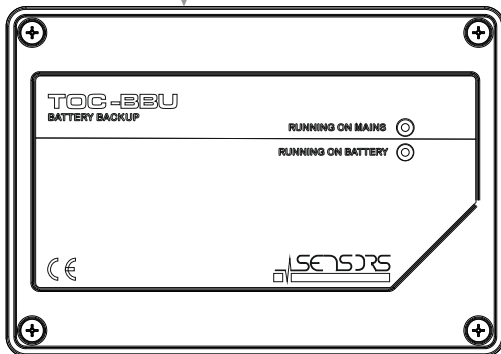
ORDER CODES



TOCSIN 640 Controller 110/230V AC	TOC-640-230
TOCSIN 640 Controller 24V DC	TOC-640-24

Controller Panel Mount Kit	5686401
Battery Backup Module	5686601

Combine Controllers With Detectors and I/O Nodes as Required



Use with TOC-30 Series Detectors and I/O modules. ABS housed detectors sealed up to IP65 rating.



This detector series is standard 2 gang mount for surface, flush mounting or mounting to dado rail.



Interface to TOC-30 Series annunciators for additional I/O functions. The smart alternative to beacons, sounders and slam switches.



Interface to TOC-20 Series Infra Red CO2 Sensors. Reliable accurate CO2 monitoring with humidity and temperature readings.



Use with Tocsin 103 Series detectors. IP Rated steel enclosures for harsh industrial environments.



Use with Tocsin 102 Series detectors for hazardous area applications requiring ATEX approved equipment

Flammable Gas Detection
Toxic Gas Detection
Oxygen Depletion

Protecting People Since 1917



International Gas Detectors

CH₄ H₂S CO₂
 NO NO₂ SO₂



Triton House
 Crosby Street
 Stockport
 SK2 6TS
 England

Tel: +44 (0)161 483 1415

Fax: +44 (0) 161 484 2345

Email: sales@internationalgasdetectors.com

Website: www.internationalgasdetectors.com



FS646773
 Ref: ROS64D

PRODUCT DATA SHEET

www.internationalgasdetectors.com

OLIVER IGD

Control Systems

Transmitters

Sensors

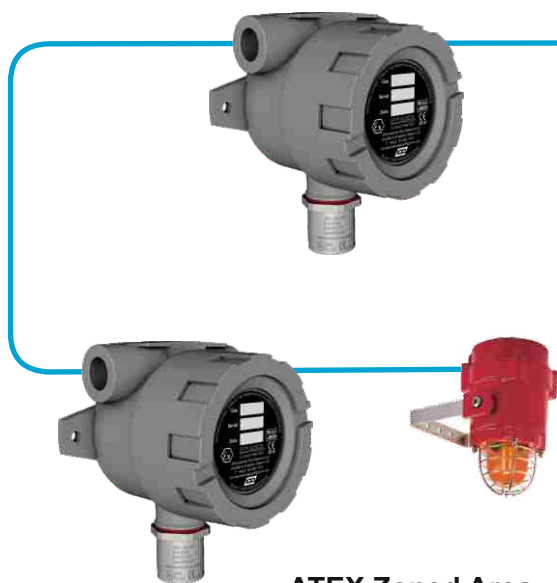
Accessories

System Example



Controller in Supervisors Office

Mix Annunciators With Other Addressable Devices Such as TOC-750 Series Detectors. Use ATEX Rated detectors where required



ATEX Zoned Area

Use Annunciators For Door Entry Control.



Use Annunciators with Gas Detector Interfaces to Detect & Alarm in Specific Areas

Laboratory



Gas Bottle Store



Use the Annunciator I/O Capability to Control Gas Supply Valves, Beacon-Sounders or other devices

2 Core Highway as:
24V A,B
Typically 1.5mmSQ
Unscreened Cable