

# PRODUCT DATA SHEET

www.internationalgasdetectors.com

**OLIVER IGD**

**Control Systems**

Transmitters

Sensors

Accessories



## TOCSIN 625

Fast, Effective Gas Detection System Controller

TOC-625 is a multi-channel detector controller in an easily installed and implemented small format package. The system can be used with any of the Tocsin Addressable range detectors or I/O modules providing maximum flexibility. The controller can be wall mounted or panel mounted and has a pump and duct mount options. The controller has two SPCO relays as standard with three 4-20mA outputs and an RS485 Modbus interface.

### Features

- Flexible Power Supply Options
- Wall or Panel Mounting
- Relay Outputs as Standard
- 4-20mA Outputs as Standard
- RS485 Modbus as Standard
- Control up to 8 Devices as Gas Detectors or I/O Modules
- LCD Display With Multi Colour Backlight, Flashes Red on Alarm, Flashes Yellow on Fault etc
- Battery Backup Option

### Standard Specifications

Power	110/230V AC 50/60Hz 25W Standard 24V DC Option
Construction	ABS
Display	2 Lines x 8 Digit LCD Display Multi-Colour Backlight (Red-Alarm, Yellow-Fault, Blue-Normal)
Outputs	2 off SPCO Relays 4A Non-Inductive User Configurable 3 off 4-20mA Linear Outputs User Configurable
Other I/O	Sounder 80dB @ 100mm (Mutable) RS485 Port Modbus
Inputs	8 off Addressable Series Detectors or I/O Modules
Temperature	-5 to 55 Deg C
Humidity	0-95% RH Non-Condensing
Sealing	IP54
Mounting	Wall Mount, Panel Mount Kit Option, Duct Mount Kit Option
Weight	840g

**IGD**

International Gas Detectors  
CH<sub>4</sub> H<sub>2</sub>S CO<sub>2</sub>  
NO NO<sub>2</sub> SO<sub>2</sub>

**OLIVER IGD**

Triton House  
Crosby Street  
Stockport  
SK2 6TS  
England

Tel: +44 (0)161 483 1415

Fax: +44 (0) 161 484 2345

Email: sales@internationalgasdetectors.com

Website: www.internationalgasdetectors.com



FS646773  
Ref: ROS625D

# PRODUCT DATA SHEET

www.internationalgasdetectors.com

**OLIVER IGD**

**Control Systems**

Transmitters

Sensors

Accessories

## EC Declaration of Conformity

Issuers name and address:

Oliver IGD Limited of  
Triton Hous,  
Crosby Street,  
Stockport,  
SK2 6TS  
England



Declares that the product listed as:

**TOC-625**

Single or Multi-Channel Detector Control Panel

Are in conformity with the provisions of the following European Directive(s) when installed, operated, serviced and maintained in accordance with the installation and operating instructions contained in the product documentation.

**2004/108/EC**

**EMC Directive**

**2006/95/EC**

**Low Voltage Equipment Directive** (note not applicable to 24V DC Powered Versions)

And that the standards and/or technical specifications referenced below have been applied or considered.

EN 61779-1:2000

Electrical apparatus for the detection and measurement of flammable gases, general requirements and test methods.

EN 50271:2010

Electrical apparatus for the detection and measurement of combustible gases, toxic gases or Oxygen: requirements and tests for apparatus using software and or digital technologies.  
*Excluding requirements for SIL*

EN 61000-6-2: 2005

EMC Generic standards. Immunity for industrial environments

EN 61000-6-4: 2007

EMC Generic standards. Emission standard for industrial environments

EN 61000-3-2/A2:2009

EMC Limits. Limits for harmonic current emissions (equipment input current  $\leq 16$  A per phase)

EN 61000-3-3: 2008

EMC Limits. Limitation of voltage changes, voltage fluctuations and flicker in public low-voltage supply systems, for equipment with rated current  $\leq 16$  A per phase

Technical File Reference

T625-TF9

Product Markings



**TOC-625**

SI-serial number

Oliver IGD Limited Operate and Independently assessed ATEX/IECEX QAN.

Oliver IGD Limited operate an independently assessed ISO9001:2008 Quality Management System.

Testing Agency:

TUV - SUD  
Octagon House  
Concorde Way  
PO 15 5RL  
Fareham

Quality Assurance Certificate Number  
**ExVeritas 16PQAN0014**

Quality Management Certificate Number  
**FS 646773**

Quality Assurance Notification Number:  
**2585**

ExVeritas,  
Units 16-18,  
Abenbury Way,  
Wrexham Industrial Estate,  
Wrexham, UK, LL13 9UZ

BSI Assurance UK LTD,  
Chiswick High Road,  
London  
W4 4AL  
UK

TUV Certificates and reports can be checked on-line at [https://www.tuev-sued.de/industry\\_and\\_consumer\\_products/certificates](https://www.tuev-sued.de/industry_and_consumer_products/certificates)



Mehr Sicherheit.  
Mehr Wert.

Issued on: 20th Feb 2016

At Oliver IGD Limited, Stockport, SK2 6TS, United Kingdom

Signature:

Declaration of Conformity in accordance with EN ISO/IEC 17050-1:2010

Name

Andrew J Collier M.I.O.D

Position:

Managing Director

Date: 20th Feb 2016

Declaration Ref: TOC-625-DEC-2



International Gas Detectors

CH<sub>4</sub> H<sub>2</sub>S CO<sub>2</sub>  
NO<sub>2</sub> SO<sub>2</sub> NO<sub>2</sub> CO



Triton House  
Crosby Street  
Stockport  
SK2 6TS  
England

Tel: +44 (0)161 483 1415

Fax: +44 (0) 161 484 2345

Email: [sales@internationalgasdetectors.com](mailto:sales@internationalgasdetectors.com)

Website: [www.internationalgasdetectors.com](http://www.internationalgasdetectors.com)



FS646773  
Ref: ROS625D

# PRODUCT DATA SHEET

www.internationalgasdetectors.com

**OLIVER IGD**

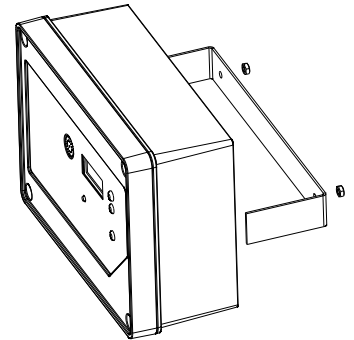
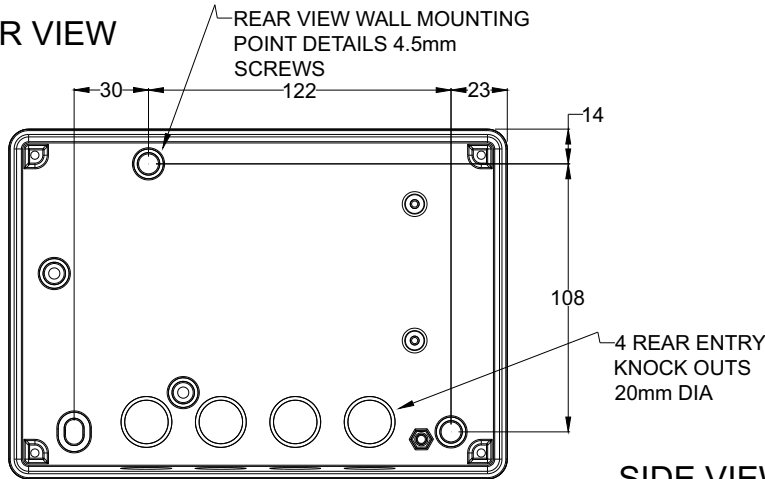
**Control Systems**

Transmitters

Sensors

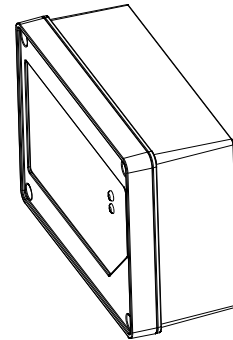
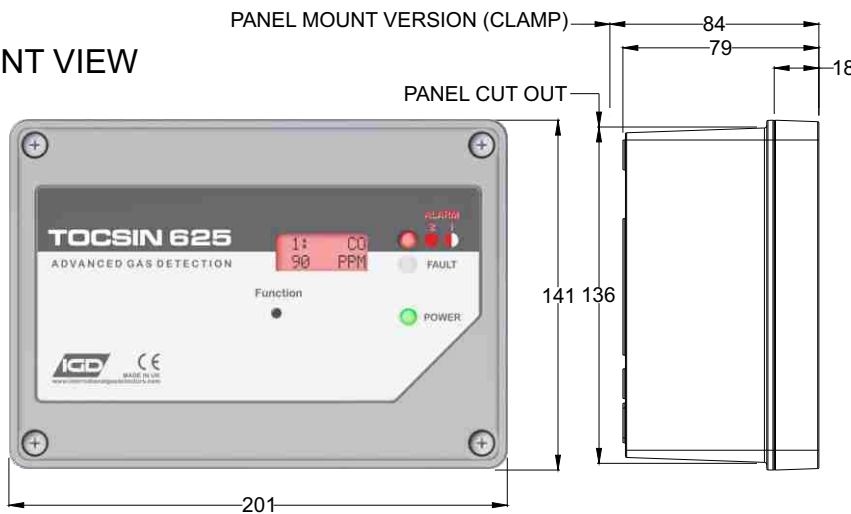
Accessories

## REAR VIEW



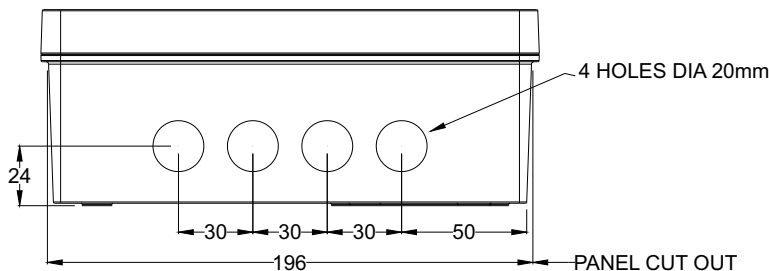
Optional Panel Mounting Kit  
PN 5686401

## FRONT VIEW



Optional Battery Backup Kit  
PN 5686601

## BOTTOM VIEW



Note this module uses the same style enclosure as the TOC-625 and houses batteries and charge control. It is usually mounted below the TOC-625 and is supplied with all required connectors.



International Gas Detectors

CH<sub>4</sub> H<sub>2</sub>S CO<sub>2</sub>  
NO NO<sub>2</sub> SO<sub>2</sub>



Triton House  
Crosby Street  
Stockport  
SK2 6TS  
England

Tel: +44 (0)161 483 1415

Fax: +44 (0) 161 484 2345

Email: sales@internationalgasdetectors.com

Website: www.internationalgasdetectors.com



FS646773  
Ref: ROS625D

# PRODUCT DATA SHEET

www.internationalgasdetectors.com

**OLIVER IGD**

**Control Systems**

Transmitters

Sensors

Accessories

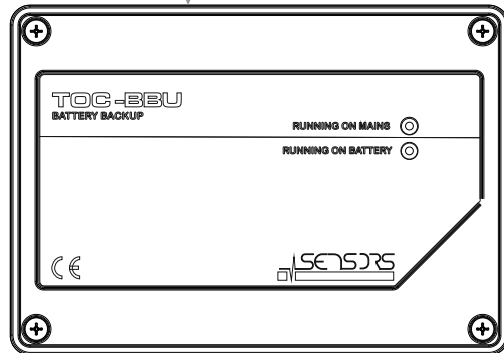


Flammable Gas Detection

Toxic Gas Detection

Oxygen Depletion

Protecting People Since 1917



Combine Controllers With Detectors and I/O Nodes as Required



Use with TOC-30 Series Detectors and I/O modules. ABS housed detectors sealed up to IP65 rating.



This detector series is standard 2 gang mount for surface, flush mounting or mounting to dado rail.



Interface to TOC-30 Series annunciators for additional I/O functions. The smart alternative to beacons, sounders and slam switches.



Interface to TOC-20 Series Infra Red CO2 Sensors. Reliable accurate CO2 monitoring with humidity and temperature readings.

TOC-625 Controller 110/230V AC	5685401
TOC-625 Controller 24V DC	5686501
TOC-625 Controller Panel Mount Kit	5686401
TOC-625 Battery Backup Module	5686601



**OLIVER IGD**  
 Triton House  
 Crosby Street  
 Stockport  
 SK2 6TS  
 England

Tel: +44 (0)161 483 1415  
 Fax: +44 (0) 161 484 2345  
 Email: sales@internationalgasdetectors.com  
 Website: www.internationalgasdetectors.com



FS646773  
 Ref: ROS625D

# PRODUCT DATA SHEET

www.internationalgasdetectors.com



**Control Systems**

Transmitters

Sensors

Accessories

## Analogue Output Interfaces

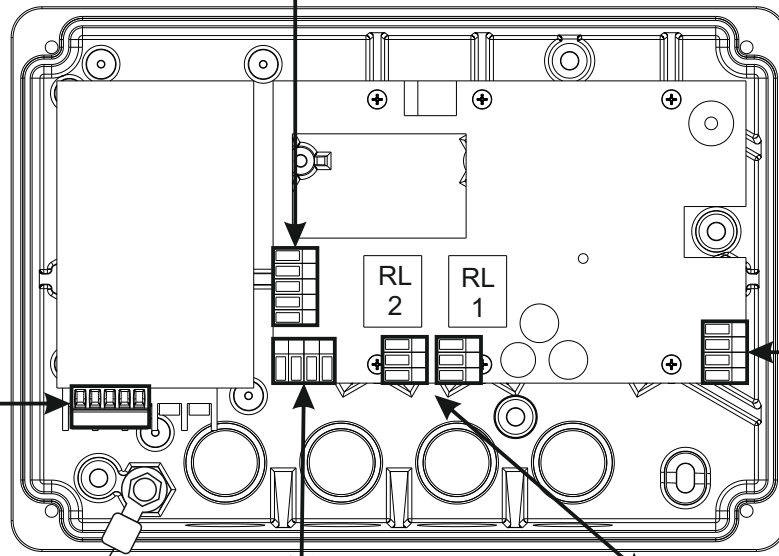
+24V DC
- 24V DC
mA Sig 1
mA Sig 2
mA Sig 3

Note as standard mA outputs are set. These can be re-configured as 0-10V signals

Mains Power Connector  
110/230V AC 50/60Hz

L	n	c	N	n	c	E
---	---	---	---	---	---	---

## Front View Cover Open

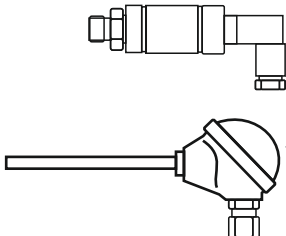


RS485 Modbus Comms Port

0V DC
A
B
24V DC

Connect to detectors and nodes using 4 core 1.5mmSQ CY style cable or FP200 style cable as appropriate. Cable screens should be terminated as indicated

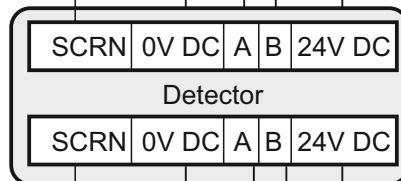
Connect up to 8 addressable devices. These can be Gas Detectors or by using the available I/O Nodes any 4-20mA Device such as pressure or temperature transmitters, read these back to the control panel as any other detector and set alarms as required.



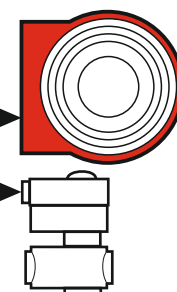
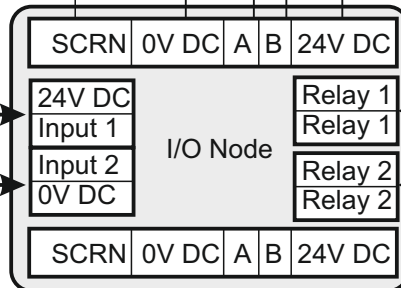
Detector I/O Interface			
0V DC	A	B	24V DC

Normally Closed
Common
Normally Open

Connections common to each of the two relay outputs



Gas detectors count as one device, there can be any mix of gas detector types on the highway. For example Flammable Gas Detectors, Carbon Monoxide, Oxygen etc.



Each I/O Node counts as one device and can be used to interface to analogue devices and provide additional relay outputs where they are needed to control items such as beacon-sounders, solenoids or interfaces to fire panels. Depending on loading external power may be required.



**OLIVER IGD**  
Triton House  
Crosby Street  
Stockport  
SK2 6TS  
England

Tel: +44 (0)161 483 1415  
Fax: +44 (0) 161 484 2345  
Email: sales@internationalgasdetectors.com  
Website: www.internationalgasdetectors.com



FS646773  
Ref: ROS625D