

PRODUCT DATA SHEET

www.internationalgasdetectors.com

OLIVER IGD

Control Systems

Transmitters

Sensors

Accessories

TOCSIN 350

Backup Generator Fuel Control System

Designed to control the day to day filling of generator diesel fuel day tanks from main tank stations the Tocsin 350 provides a simple yet flexible control system. The system reads typically from 4-20mA level sensors on the tanks and effectively controls the fill levels automatically, interfacing to pumps and valves as required. The Tocsin 350 will control up to a maximum of 6 day tanks and 2 main tanks. A remote display can also be incorporated which will indicate fill levels for all tanks. All necessary alarm features are incorporated. Additionally tank leak sensors, vapour detectors and emergency stops can be incorporated as required.

General Specification

Power Source	230V AC (110V Option)
Power Consumption	150 Watts
Display	2 x 16 backlight LCD (Optional)
Operating Temperature	0°C to 55°C
Operating Humidity	Up to 95% non-condensing
Display Resolution	1 % Vol, 10L or 0.1 CuM
Update Rate	1 Second
Size (mm)	255 (H) x 265 (W) x 100 (D)
Protection	IP54
Inputs	Up to 32 Addressable Device Inputs
Ranges available	Typically 0-100% Fill Volume, L or Cu M others on request
Outputs (Standard)	27 x configurable SPCO relays (7 Amp non conductive load) 1 x fault SPCO relays (7 Amp non conductive load) 1 x solid state audio/sounder 24VDC 1 x solid state visual/flasher 24VDC
Optional Equipment	Battery backup module 7AH 255 (H) x 265 (W) x 100 (D)
CE Declaration	BS EN61000-6-4 EMC Compatibility 'Emissions' BS EN 61000-6-2:2001 EMC Compatability 'Immunity' BS EN 61010-1: 2001 Safety requirements, electrical equipment
Weight	9.2 KG



International Gas Detectors

CH₄ H₂S CO₂
NO NO₂ SO₂



Triton House
Crosby Street
Stockport
SK2 6TS
England

Tel: +44 (0)161 483 1415

Fax: +44 (0) 161 484 2345

Email: sales@internationalgasdetectors.com

Website: www.internationalgasdetectors.com



FS646773
Ref: T350-5

PRODUCT DATA SHEET

www.internationalgasdetectors.com

OLIVER IGD

Control Systems

Transmitters

Sensors

Accessories

EC Declaration of Conformity

Issuers name and address:

Oliver IGD Limited of
Triton House
Crosby St
Stockport, SK2 6TS
United Kingdom



Declares that the product listed as:

TOCSIN 350

Addressable Gas Detection Control Panel

Are in conformity with the provisions of the following European Directive(s) when installed, operated, serviced and maintained in accordance with the installation and operating instructions contained in the product documentation.

2004/108/EC **EMC Directive**
2006/95/EC **Low Voltage Equipment Directive** (note not applicable to 24V DC Powered Versions)

And that the standards and/or technical specifications referenced below have been applied or considered.

EN 61779-1:2000	Electrical apparatus for the detection and measurement of flammable gases, general requirements and test methods.
EN 50271:2010	Electrical apparatus for the detection and measurement of combustible gases, toxic gases or Oxygen: requirements and tests for apparatus using software and or digital technologies. <i>Excluding requirements for SIL</i>
EN 61000-6-2: 2005	EMC Generic standards. Immunity for industrial environments
EN 61000-6-4: 2007	EMC Generic standards. Emission standard for industrial environments
EN 61000-3-2/A2:2009	EMC Limits. Limits for harmonic current emissions (equipment input current ≤ 16 A per phase)
EN 61000-3-3: 2008	EMC Limits. Limitation of voltage changes, voltage fluctuations and flicker in public low-voltage supply systems, for equipment with rated current ≤ 16 A per phase

Technical File Reference I700-TF9

Product Markings **CE** **TOCSIN 350** *SI*-serial number

Oliver IGD Limited Operate and Independently assessed ATEX/IECEX QAN.

Oliver IGD Limited operate an independently assessed ISO9001:2008 Quality Management System.

Testing Agency:

TUV - SUD
Octagon House
Concorde Way
PO 15 5RL
Fareham

Quality Assurance Certificate Number
ExVeritas 16PQAN0014

Quality Management Certificate Number
FS 646773

Quality Assurance Notification Number:
2585

ExVeritas,
Units 16-18,
Abenbury Way,
Wrexham Industrial Estate,
Wrexham, UK, LL13 9UZ

BSI Assurance UK LTD,
Chiswick High Road,
London
W4 4AL
UK



Mehr Sicherheit.
Mehr Wert.

TUV Certificates and reports can be checked on-line at https://www.tuev-sued.de/industry_and_consumer_products/certificates

Issued on: 20th Feb 2016

At Oliver IGD Limited, Stockport, SK2 6TS , United Kingdom

Signature:

Declaration of Conformity in accordance with EN ISO/IEC 17050-1:2010

Name

Andrew J Collier M.I.O.D

Position:

Managing Director

Date: 20th Feb 2016

Declaration Ref:350-DEC-1



International Gas Detectors

CH₄ H₂S CO₂
NO NO₂ SO₂



Triton House
Crosby Street
Stockport
SK2 6TS
England

Tel: +44 (0)161 483 1415

Fax: +44 (0) 161 484 2345

Email: sales@internationalgasdetectors.com

Website: www.internationalgasdetectors.com



FS646773
Ref: T350-5

PRODUCT DATA SHEET

www.internationalgasdetectors.com

OLIVER IGD

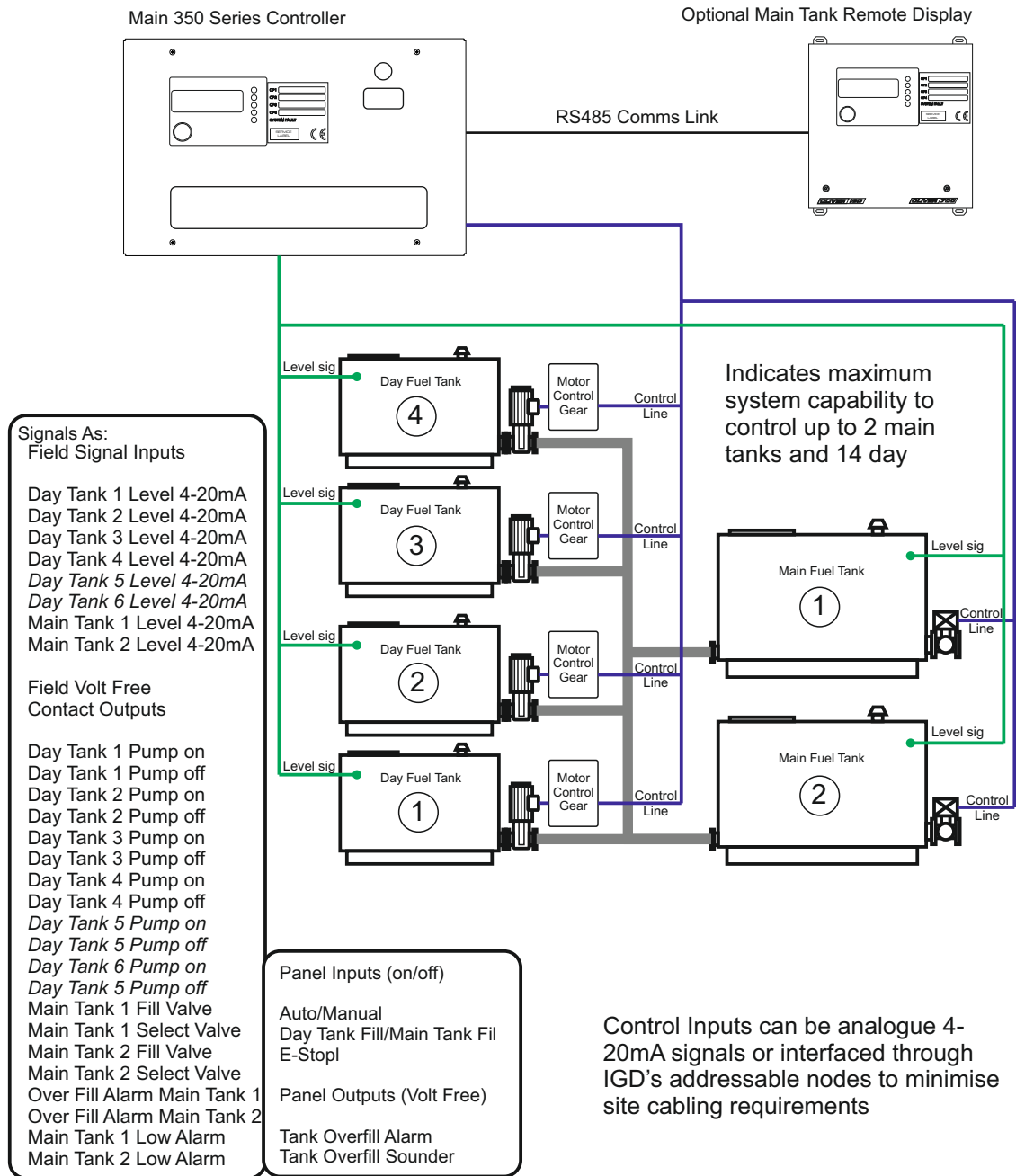
Control Systems

Transmitters

Sensors

Accessories

TOCSIN 350 General Features



International Gas Detectors

CH₄ H₂S CO₂
NO₂ SO₂ NO₂ CO



Triton House
Crosby Street
Stockport
SK2 6TS
England

Tel: +44 (0)161 483 1415
Fax: +44 (0) 161 484 2345
Email: sales@internationalgasdetectors.com
Website: www.internationalgasdetectors.com



FS646773
Ref: T350-5

PRODUCT DATA SHEET

www.internationalgasdetectors.com

OLIVER IGD

Control Systems

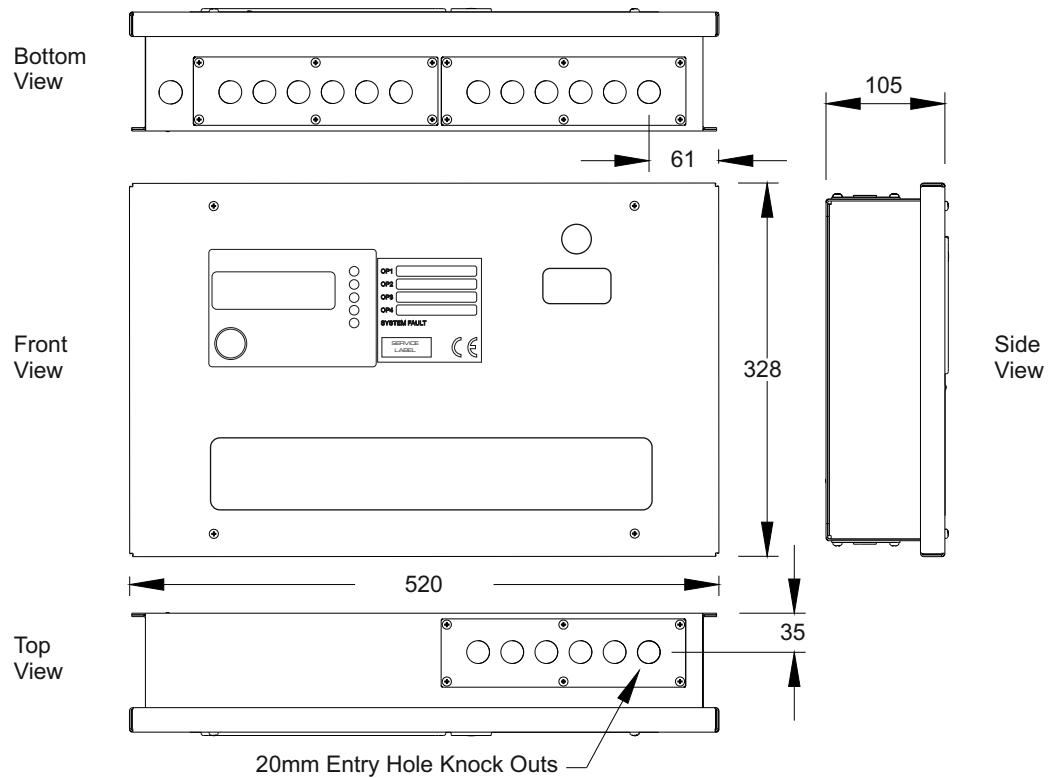
Transmitters

Sensors

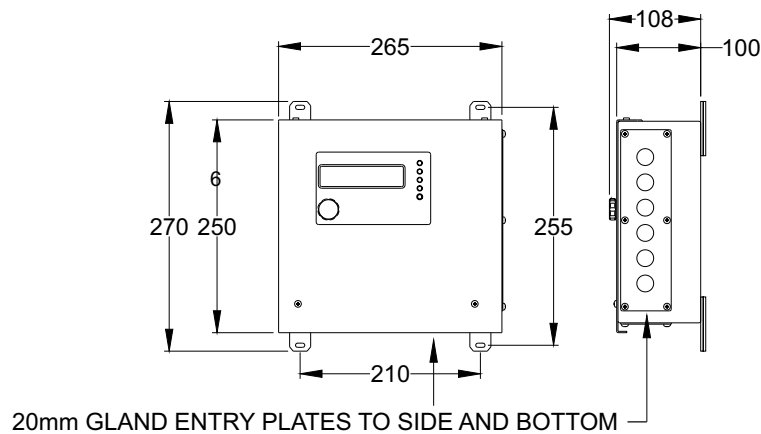
Accessories

TOCSIN 350 Panel Overview

Main Panel



Remote Panel



International Gas Detectors

CH₄ H₂S CO₂
NO NO₂ SO₂



Triton House
Crosby Street
Stockport
SK2 6TS
England

Tel: +44 (0)161 483 1415
Fax: +44 (0) 161 484 2345
Email: sales@internationalgasdetectors.com
Website: www.internationalgasdetectors.com



FS646773
Ref: T350-5