

# PRODUCT DATA SHEET

www.internationalgasdetectors.com

**OLIVER IGD**

**Control Systems**

Transmitters

Sensors

Accessories



## PGF-30

### Effective Gas Safety Proving and Gas Detection Controller

#### Gas Pressure Proving

*For use with Natural Gas LPG - or Laboratory gas supplies, both high and low pressure ensuring system integrity prior to running.*

#### Continuously Monitor For Gas Leakage Using State of the art LPG or Methane Gas detectors.

*Use gas leakage detectors to continuously monitor for gas leakage within the area.*

#### Control Mechanical Ventilation Rates Based on Room CO2 Levels.

*Control the area ventilation rate to minimise energy usage and ensure an optimum working environment.*

#### Interlock Mechanical Ventilation with the Gas Supply Valve

*Ensure fume hood - cabinet extract fans are running before the gas supply is enabled.*

#### Standard Specifications

Power	110/230V AC 50/60Hz 25W Standard 24V DC Option
Construction	ABS
Display	2 Lines x 8 Digit LCD Display Multi-Colour Backlight (Red-Alarm, Yellow-Fault, Blue-Normal)
User	IGD Jog Wheel Option Select
Outputs	3 off SPCO Relays 4A Non-Inductive User Configurable 1 off 4-20mA Linear Output User Configurable
Other I/O	Sounder 80dB @ 100mm (Mutable) RS485 Port Modbus Dedicated E-Stop Input Dedicated Fire System Interlock
Inputs	Up to 32 off Addressable Series Detectors or I/O Modules <i>Note external Booster PSU may be required</i>
Temperature	-5 to 55 Deg C
Humidity	0-95% RH Non-Condensing
Sealing	IP54
Mounting	Wall Mount, Panel Mount Kit Option, Duct Mount Kit Option
Weight	840g

#### Features

- Flexible Power Supply Options
- Wall or Panel Mounting
- Relay Outputs as Standard
- 4-20mA Output as Standard
- RS485 Modbus as Standard
- Control up to 32 Devices as Gas Detectors or I/O Modules
- LCD Display With Multi Colour Backlight, Flashes Red on Alarm, Flashes Yellow on Fault etc
- E-Stop Input (System Configurable)
- Dedicated Interlock to Fire Systems (System Configurable)
- Battery Backup Option

**IGD**

International Gas Detectors

CH<sub>4</sub> H<sub>2</sub>S CO<sub>2</sub>  
NO NO<sub>2</sub> SO<sub>2</sub>

**OLIVER IGD**

Triton House  
Crosby Street  
Stockport  
SK2 6TS  
England

Tel: +44 (0)161 483 1415

Fax: +44 (0) 161 484 2345

Email: sales@internationalgasdetectors.com

Website: www.internationalgasdetectors.com



FS646773  
Ref: PGF30 B

# PRODUCT DATA SHEET

www.internationalgasdetectors.com

**OLIVER IGD**

**Control Systems**

Transmitters

Sensors

Accessories

## EC Declaration of Conformity

Issuers name and address:

Oliver IGD Limited of  
Triton House  
Crosby St,  
Stockport,  
United Kingdom



Declares that the product listed as:

**PGF-30**

Gas Proving and Gas Detection Control Panel

Are in conformity with the provisions of the following European Directive(s) when installed, operated, serviced and maintained in accordance with the installation and operating instructions contained in the product documentation.

**2004/108/EC**      **EMC Directive**  
**2006/95/EC**      **Low Voltage Equipment Directive** (note not applicable to 24V DC Powered Versions)

And that the standards and/or technical specifications referenced below have been applied or considered.

EN 61779-1:2000      Electrical apparatus for the detection and measurement of flammable gases, general requirements and test methods.

EN 50271:2010      Electrical apparatus for the detection and measurement of combustible gases, toxic gases or Oxygen: requirements and tests for apparatus using software and or digital technologies. *Excluding requirements for SIL*

EN 61000-6-2:2005  
EN 61000-6-4:2007/A1:2011  
EN 61000-3-2 A2 2014  
EN 61000-3-3 2013

Technical File Reference      PGF30-TF9

Product Markings      **CE**      **PGF-30**      *SI*-serial number

Oliver IGD Limited Operate and Independently assessed ATEX/IECEX QAN.

Oliver IGD Limited operate an independently assessed Testing Agency: ISO9001:2008 Quality Management System.

Quality Assurance Certificate Number  
**ExVeritas 16PQAN0014**

Quality Management Certificate Number  
**FS 646773**

Quality Assurance Notification Number:  
**2585**

TUV - SUD  
Octagon House  
Concorde Way  
PO 15 5RL  
Fareham



ExVeritas,  
Units 16-18,  
Abenbury Way,  
Wrexham Industrial Estate,  
Wrexham, UK, LL13 9UZ

BSI Assurance UK LTD,  
Chiswick High Road,  
London  
W4 4AL  
UK

Mehr Sicherheit.  
Mehr Wert.

TUV Certificates and reports can be checked on-line at [https://www.tuev-sued.de/industry\\_and\\_consumer\\_products/certificates](https://www.tuev-sued.de/industry_and_consumer_products/certificates)

Issued on:      20th Feb 2016

At Oliver IGD Limited, Stockport, SK2 6TS , United Kingdom

Signature:

Declaration of Conformity in accordance with EN ISO/IEC 17050-1:2010

Name

Andrew J Collier M.I.O.D

Position:

Managing Director

Date:      20th Feb 2016

Declaration Ref: PGF30-DEC-2



International Gas Detectors

CH<sub>4</sub> H<sub>2</sub>S CO<sub>2</sub>  
NO<sub>2</sub> NO<sub>2</sub> SO<sub>2</sub>



Triton House  
Crosby Street  
Stockport  
SK2 6TS  
England

Tel: +44 (0)161 483 1415

Fax: +44 (0) 161 484 2345

Email: sales@internationalgasdetectors.com

Website: www.internationalgasdetectors.com



FS646773  
Ref: PGF30 B

# PRODUCT DATA SHEET

www.internationalgasdetectors.com

**OLIVER IGD**

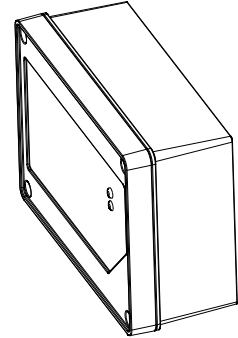
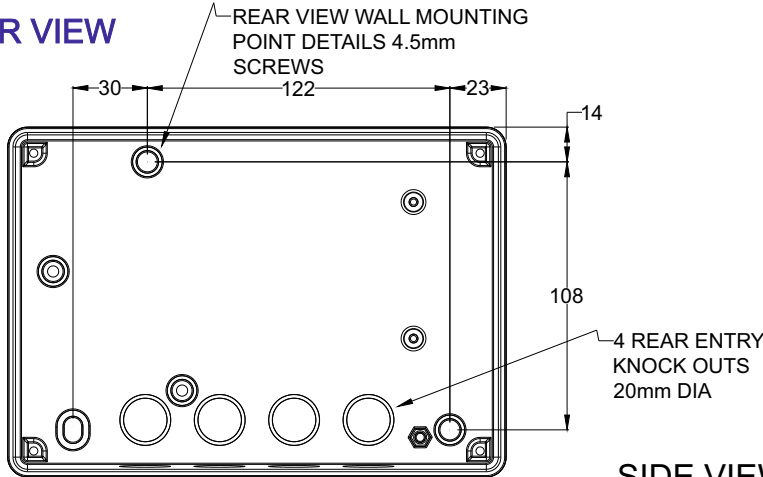
**Control Systems**

Transmitters

Sensors

Accessories

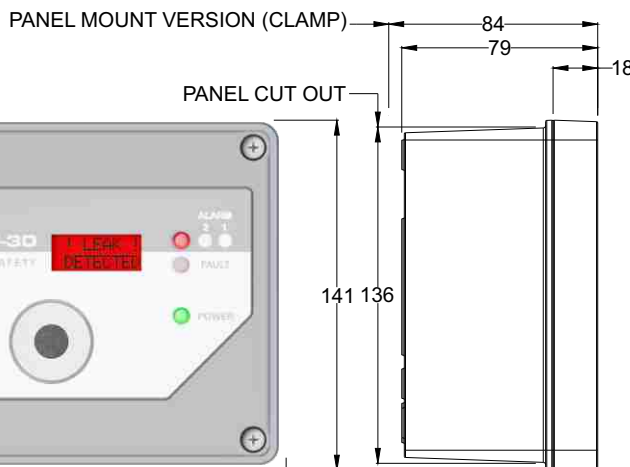
## REAR VIEW



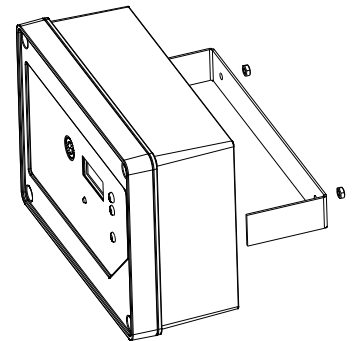
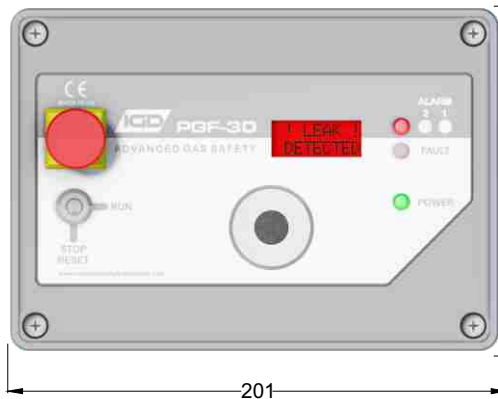
Optional Battery Backup Kit  
PN 5686601

Note this module uses the same style enclosure as the PGF-30 and houses batteries and charge control. It is usually mounted below the PGF-30 and is supplied with all required connectors.

## SIDE VIEW

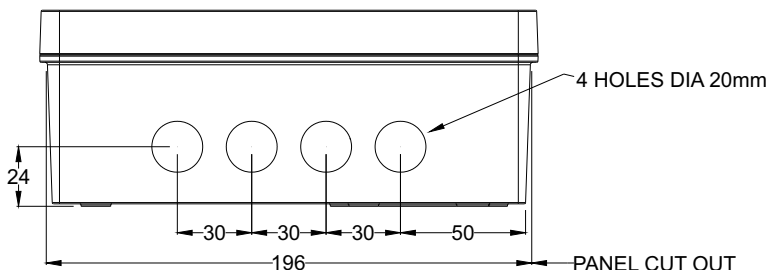


## FRONT VIEW



Optional Panel Mounting Kit  
PN 5686401

## BOTTOM VIEW



## Sensor Options

Gas Pressure  
Air Pressure  
Air Flow  
Flammable Gases  
Toxic Gases  
Temperature  
Humidity  
Motor Current



International Gas Detectors

CH<sub>4</sub> H<sub>2</sub>S CO<sub>2</sub>  
NO<sub>2</sub> SO<sub>2</sub>



Triton House  
Crosby Street  
Stockport  
SK2 6TS  
England

Tel: +44 (0)161 483 1415

Fax: +44 (0) 161 484 2345

Email: sales@internationalgasdetectors.com

Website: www.internationalgasdetectors.com



FS646773  
Ref: PGF30 B

# PRODUCT DATA SHEET

www.internationalgasdetectors.com



**Control Systems**

Transmitters

Sensors

Accessories

## 1 Intelligent Systems Enhanced Safety For Operators 1

IGD Gas Proving Controllers Can be Interlocked to Prevent Gas Supply If Ventilation is not Running or Not Running at a Sufficient Level



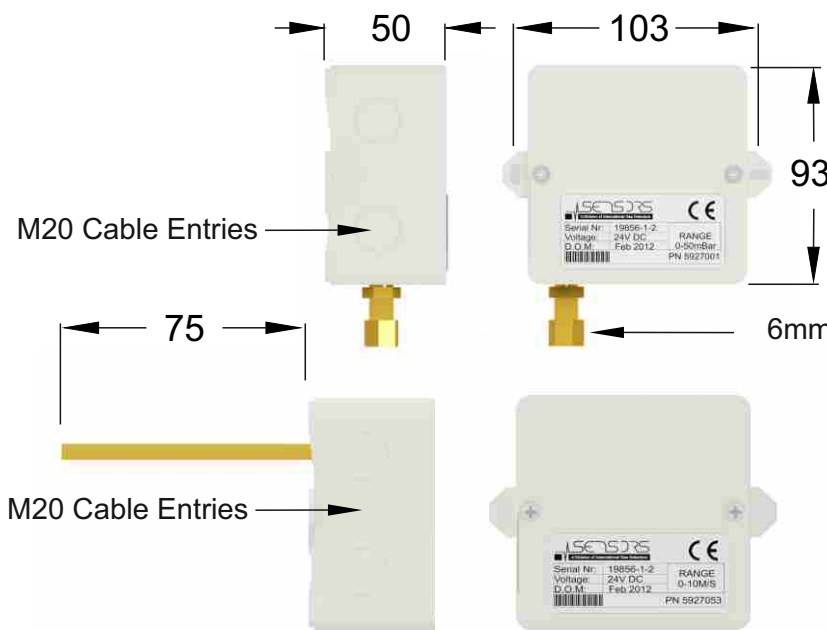
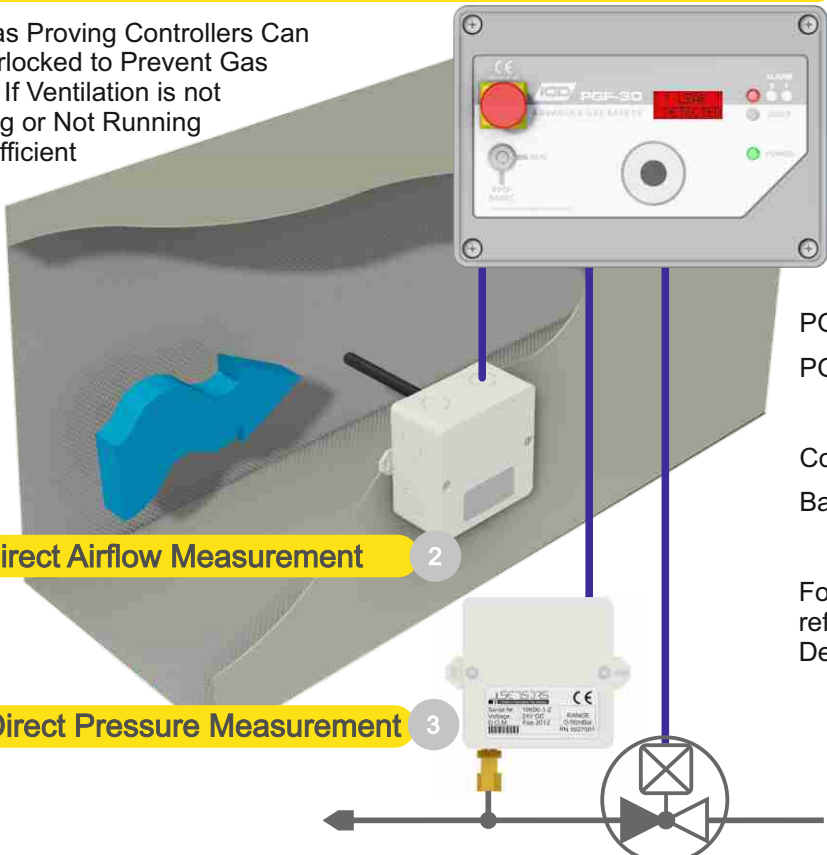
### ORDER CODES

PGF-30 Controller 110/230V AC	PGF-30-230
PGF-30 Controller 24V DC	PGF-30-24
Controller Panel Mount Kit	5686401
Battery Backup Module	5686601

For Gas Detection and Annunciator options refer to TOC-30 and TOC-20 Series Gas Detectors

## 2 Direct Airflow Measurement 2

## 3 Direct Pressure Measurement 3



**PRESSURE TRANSDUCER**  
PN: 5928701  
|Range 0-50mBar  
Analogue O/P

**FLOW TRANSDUCER**  
PN: 5927501  
Range 0.5 -10M/S  
Analogue O/P  
Relay O/P  
24V DC



International Gas Detectors  
CH<sub>4</sub> H<sub>2</sub>S CO<sub>2</sub>  
NO NO<sub>2</sub> SO<sub>2</sub>



Triton House  
Crosby Street  
Stockport  
SK2 6TS  
England

Tel: +44 (0)161 483 1415  
Fax: +44 (0) 161 484 2345  
Email: sales@internationalgasdetectors.com  
Website: www.internationalgasdetectors.com



FS646773  
Ref: PGF30 B

# PRODUCT DATA SHEET

www.internationalgasdetectors.com

**OLIVER IGD**

**Control Systems**

Transmitters

Sensors

Accessories



TOC-30-AN3

Refer to TOC-30 Annunciator Data Sheer

To compliment the PGF-30 TOC Series Gas Detectors provide accurate measurement of the background atmosphere to measure for a specific hazardous target gas. Clean lines and easy integration into existing or newly planned control systems make the TOC Series the safety engineers device of choice. Using the latest microprocessor addressable technology and software TOC Series detectors are a reliable long term monitoring solution.

TOC Series Detectors are supplied pre-calibrated ready to use and directly connect to PGF-30.



TOC-30A-PHC  
With Gas Collector Fitted

## Order Codes TOC-30A Series Detectors

Gas	Standard Range	Order Code	Typical Cell Life
Flammable Gases external sensor	0-100% LEL	TOC-31A-PHC	>3 Years
Flammable Gases internal sensor	0-100% LEL	TOC-30A-PHC	>3 Years
Carbon Monoxide	0-100ppm	TOC-30A-CO	>5 Years
Oxygen	0-30% Vol	TOC-30A-O2	>5 Years
Nitric Oxide	0-200ppm	TOC-30A-NO	>2 Years
Nitrogen Dioxide	0-20ppm	TOC-30A-NO2	>2 Years
Ammonia	0-100ppm	TOC-30A-NH3	>2 Years
Chlorine	0-20ppm	TOC-30A-CL2	>2 Years



TOC-31A-PHC

## Order Codes TOC-20 Series Detectors

Gas	Standard Range	Order Code	Typical Cell Life
Carbon Dioxide	0-5000ppm	TOC-20A-CO2	>3 Years

## Order Codes Accessories

Gas Collector Cone For TOC-30A-PHC	Code 50006701
Calibration Adaptor TOC-31-PHC	Code 401101E
Calibration Adaptor TOC20/30 Series	Code 5925701



TOC-30A-PHC



Tel: +44 (0)161 483 1415  
Fax: +44 (0) 161 484 2345  
Email: sales@internationalgasdetectors.com  
Website: www.internationalgasdetectors.com



FS646773  
Ref: PGF30 B