

PRODUCT DATA SHEET

www.internationalgasdetectors.com



Control Systems

Transmitters

Sensors

Accessories

EEX d JUNCTION BOXES

A three entry junction box for use with the IGD range of gas detectors but also finding many other uses in industrial installations.

Specifications:

Part Number: 5045802

Material: Aluminium Pressure Die Casting
max 0.5% Mg

IP Rating IP67 (Silicone O Ring Lid Seal)

Entries 3 off M20 x 1.5

Weight 1.1 KG

Approvals

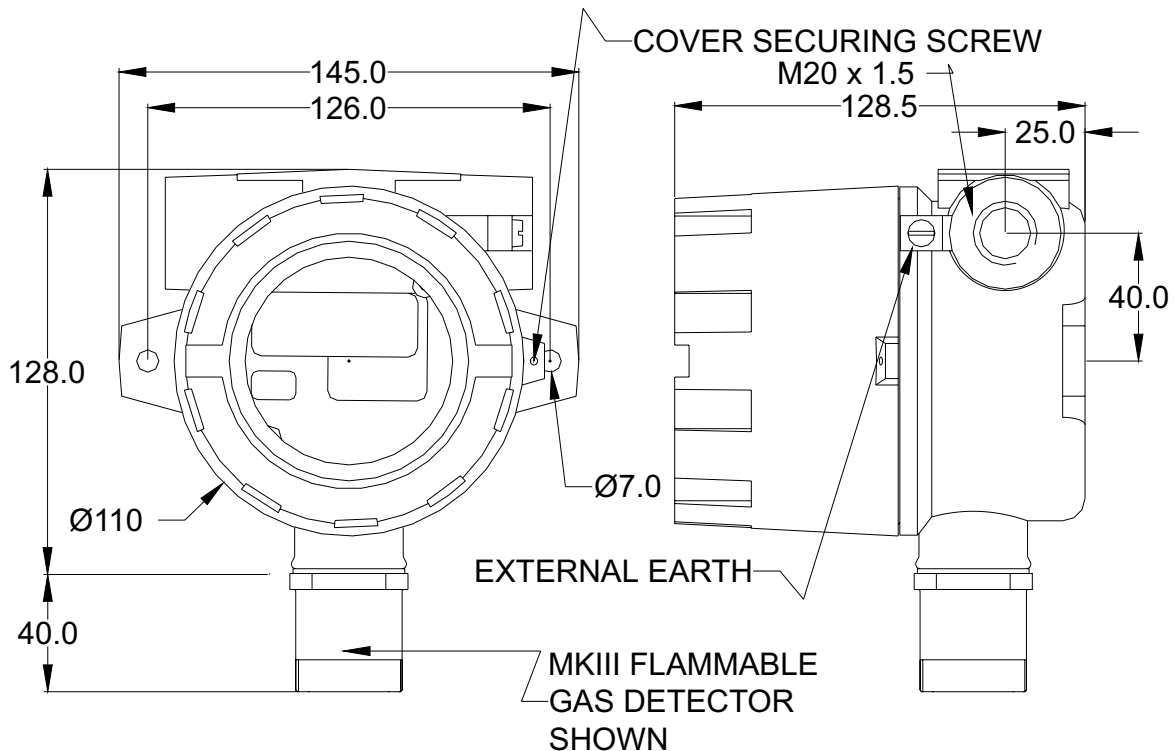


II 2 D G Ex db IIC T6 Gb
IECEX EXV16.0002X
ExVeritas 16ATEX0140X
Ex tb IIIC Db. M20 Entries



MOUNTING DETAILS AND DIMENSIONS

(JUNCTION BOX SHOWN COMBINED WITH MKIII GAS DETECTOR)



EC Declaration of Conformity

Issuers name and address:

Oliver IGD Limited of
Triton House
Crosby St,
Stockport,
United Kingdom



JB3

Flameproof 'd' Junction Box with electronics or terminals certified for use in potentially explosive atmospheres. Note can be used in conjunction with 102 or MK3 series gas detectors and I/O Nodes.

Are in conformity with the provisions of the following European Directive(s) when installed, operated, serviced and maintained in accordance with the installation and operating instructions contained in the product documentation.

2004/108/EC **EMC Directive**
94/9/EC **ATEX Directive**

And that the standards and/or technical specifications referenced below have been applied or considered.

EN 60079-0:2012	Equipment for use in explosive atmospheres. General requirements
EN 60079-1:202014	Equipment for use in explosive atmospheres. Flameproof enclosures 'd'
EN 60079-31:2014	Equipment for use in explosive atmospheres. Housing Markings
EN 61241-0:2006	Electrical apparatus for use in the presence of combustible dust. General Requirements
EN 61241-1:2004	Electrical apparatus for use in the presence of combustible dust. Protection by enclosures "tD"
EN 61779-1:2000	Electrical apparatus for the detection and measurement of flammable gases
EN 50271:2010	Electrical apparatus for the detection and measurement of combustible gases, toxic gases or Oxygen: requirements and tests for apparatus using software and or digital technologies. <i>Excluding requirements for SIL</i>
EN 61000-6-2: 2005	EMC Generic standards. Immunity for industrial environments
EN 61000-6-4: 2007	EMC Generic standards. Emission standard for industrial environments
EN 61000-3-2/A2: 2009	EMC Limits. Limits for harmonic current emissions (equipment input current ≤ 16 A per phase)
EN 61000-3-3: 2008	EMC Limits. Limitation of voltage changes, voltage fluctuations and flicker in public low-voltage supply systems, for equipment with rated current ≤ 16 A per phase
Technical File references	T903-TF9 Technical construction File AD199 ATEX Approval Document File

Product Markings

Serial Number- xxxxxxYear

ATEX Approved
IECEX Approved



II 2 D G Ex db IIC T6 Gb
IECEX EXV16.0002X
ExVeritas 16ATEX0140X
Ex tb IIIC Db. M20 Entries



Oliver IGD Limited Operate and Independently assessed ATEX/IECEX QAN.

Quality Assurance Certificate Number
ExVeritas 16PQAN0014

Quality Assurance Notification Number:
2585

ExVeritas,
Units 16-18,
Abenbury Way,
Wrexham Industrial Estate,
Wrexham, UK, LL13 9UZ

Oliver IGD Limited operate an independently assessed ISO9001:2008 Quality Management System.

Quality Management Certificate Number
FS 646773

BSI Assurance UK LTD,
Chiswick High Road,
London
W4 4AL
UK

Testing Agency:

TUV - SUD
Octagon House
Concorde Way
PO 15 5RL
Fareham



IECEX Certificate can be checked on-line at

<http://iecex.iec.ch/iecex/iecexweb.nsf/421ce8815c53a3afc1257a1e00576486/edf48860d8d8c16fc1257f480050cb78?OpenDocument>

TUV Certificates and reports can be checked on-line at https://www.tuev-sued.de/industry_and_consumer_products/certificates

Issued by: Oliver IGD Limited, Stockport, SK2 6TS , United Kingdom

Signature:

Name

Declaration of Conformity in accordance with EN ISO/IEC 17050-1:2010

Andrew J Collier M.I.O.D

Position:

Managing Director

Date: 10.June 2016

Declaration Ref: JB3-DEC-10