

# PRODUCT DATA SHEET

www.internationalgasdetectors.com

**OLIVER IGD**

Control Systems

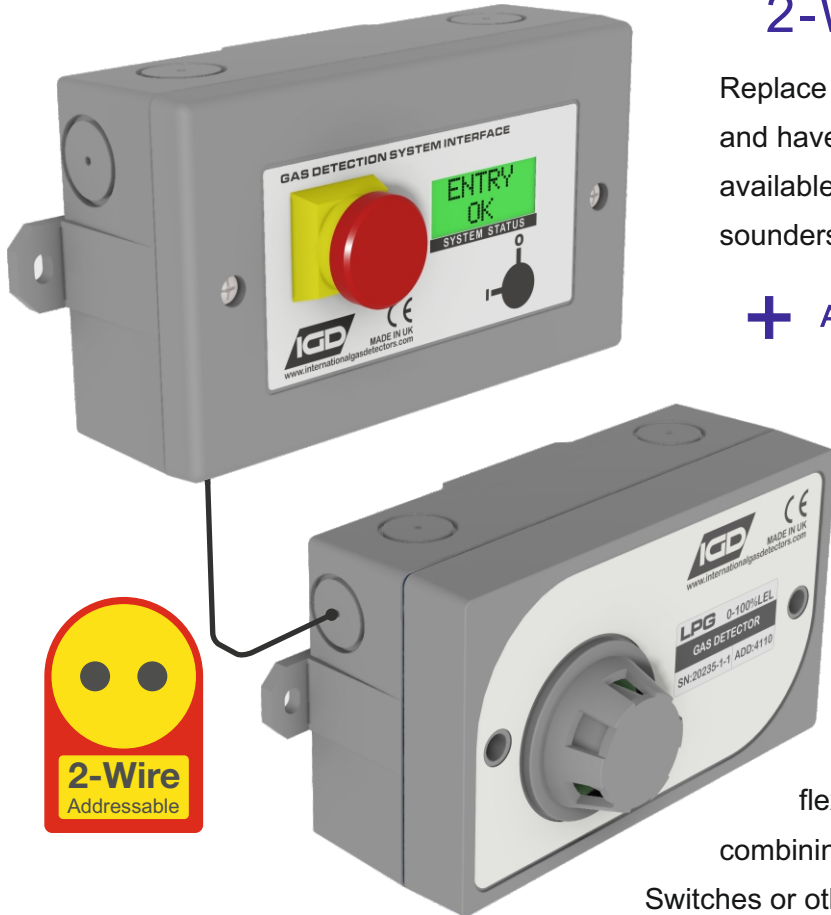
Transmitters

Sensors

Accessories

## TOCSIN 750 SERIES ANNUNCIATORS

### Addressable Display Gas Detector Interface 2-Wire Addressable Systems



Replace dumb beacon sounders with TOC-750 Annunciators and have meaningful alarm messages displayed. Versions available with and without slam switches. All versions with sounders, relay output and I/O interfaces

#### + Add an IGD Gas Detector

Flammable Gases, Toxic Gases or Oxygen.

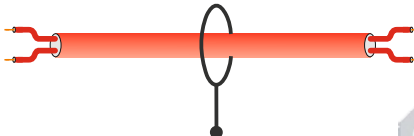
Now use the Annunciator as a gas detector local display and control. Calibrate for any flammable gas Typically LPG, Methane, Hydrogen or any of the range of toxic gas or Oxygen detectors.

TOC 750 Series Annunciators add extra flexibility to addressable gas detection systems, combining a colour alarm display with E-Stops, Key Switches or other inputs and now flammable gas detectors.

TOC750 Series Annunciators reduce the number of system components required in systems whilst adding flexibility.

TOC750 Series Annunciators reduce costs whilst enhancing installed systems. Only 2 Wires for Power and Comm's

TOC750 Series Annunciators provide clear segregation between gas detection alarms and other alarm systems

  
2 Core Cable  
Addressable Interface to  
Controller. Network up to 32  
Annunciators or other Addressable  
Devices per Highway.



- Sounder
- Display Reading-Message-Alarm RGB
- Relay Output
- Solid State Beacon Sounder Output
- ← Digital Input, slam switch TOC-10 etc
- ← Gas Sensor Input

**IGD**  
International Gas Detectors  
CH<sub>4</sub> H<sub>2</sub>S CO<sub>2</sub>  
NO<sub>2</sub> SO<sub>2</sub> NO<sub>2</sub> CO

**OLIVER IGD**  
Triton House  
Crosby Street  
Stockport  
SK2 6SH  
England

Tel: +44 (0)161 483 1415  
Fax: +44 (0) 161 484 2345  
Email: sales@internationalgasdetectors.com  
Website: www.internationalgasdetectors.com



FS646773  
Ref: T750ANO-2

# PRODUCT DATA SHEET

www.internationalgasdetectors.com

**OLIVER IGD**

Control Systems

Transmitters

Sensors

Accessories

## EC Declaration of Conformity

Issuers name and address:

Oliver IGD Limited of  
Triton House  
Crosby St,  
Stockport,  
United Kingdom



Declares that the product listed as:

**TOCSIN 750 SERIES ANNUNCIATOR**  
Addressable 2-Wire Gas Detection System I/O Point

Are in conformity with the provisions of the following European Directive(s) when installed, operated, serviced and maintained in accordance with the installation and operating instructions contained in the product documentation.

**2004/108/EC EMC Directive**  
**2006/95/EC Low Voltage Equipment Directive** (note not applicable to 24V DC Powered Versions)  
And that the standards and/or technical specifications referenced below have been applied or considered.

EN 61779-1:2000	Electrical apparatus for the detection and measurement of flammable gases, general requirements and test methods.
EN 50271:2010	Electrical apparatus for the detection and measurement of combustible gases, toxic gases or Oxygen: requirements and tests for apparatus using software and or digital technologies. <i>Excluding requirements for SIL</i>
EN 61000-6-2: 2005	EMC Generic standards. Immunity for industrial environments
EN 61000-6-4: 2007/A1: 2011	EMC Generic standards. Emission standard for industrial environments
EN 61000-3-2: 2014	EMC Limits. Limits for harmonic current emissions (equipment input current $\leq 16$ A per phase)
EN 61000-3-3: 2013	EMC Limits. Limitation of voltage changes, voltage fluctuations and flicker in public low-voltage supply systems, for equipment with rated current $\leq 16$ A per phase

Technical File Reference T750ANN-TF9

Product Markings **CE** **TOC-750-ANN** *SI*-serial number

Oliver IGD Limited Operate and Independently assessed ATEX/IECEX QAN.

Oliver IGD Limited operate an independently assessed Testing Agency: ISO9001:2008 Quality Management System.

Quality Assurance Certificate Number  
**ExVeritas 16PQAN0014**

Quality Management Certificate Number  
**FS 646773**

Quality Assurance Notification Number:  
**2585**

TUV - SUD  
Octagon House  
Concorde Way  
PO 15 5RL  
Fareham



ExVeritas,  
Units 16-18,  
Abenbury Way,  
Wrexham Industrial Estate,  
Wrexham, UK, LL13 9UZ

BSI Assurance UK LTD,  
Chiswick High Road,  
London  
W4 4AL  
UK

Mehr Sicherheit.  
Mehr Wert.

TUV Certificates and reports can be checked on-line at [https://www.tuev-sued.de/industry\\_and\\_consumer\\_products/certificates](https://www.tuev-sued.de/industry_and_consumer_products/certificates)

Issued by: Oliver IGD Limited, Stockport, SK2 6SH , United Kingdom

Signature:

Declaration of Conformity in accordance with EN ISO/IEC 17050-1:2010

Name

Andrew J Collier M.I.O.D

Position:

Managing Director

Date: 1.June 2016

Declaration Ref: T750ANN-DEC-2



International Gas Detectors  
CH<sub>4</sub> H<sub>2</sub>S CO<sub>2</sub>  
NO<sub>2</sub> SO<sub>2</sub>



Triton House  
Crosby Street  
Stockport  
SK2 6SH  
England

Tel: +44 (0)161 483 1415

Fax: +44 (0) 161 484 2345

Email: [sales@internationalgasdetectors.com](mailto:sales@internationalgasdetectors.com)

Website: [www.internationalgasdetectors.com](http://www.internationalgasdetectors.com)



FS646773  
Ref: T750ANO-2

# PRODUCT DATA SHEET

www.internationalgasdetectors.com

**OLIVER IGD**

Control Systems

Transmitters

Sensors

Accessories

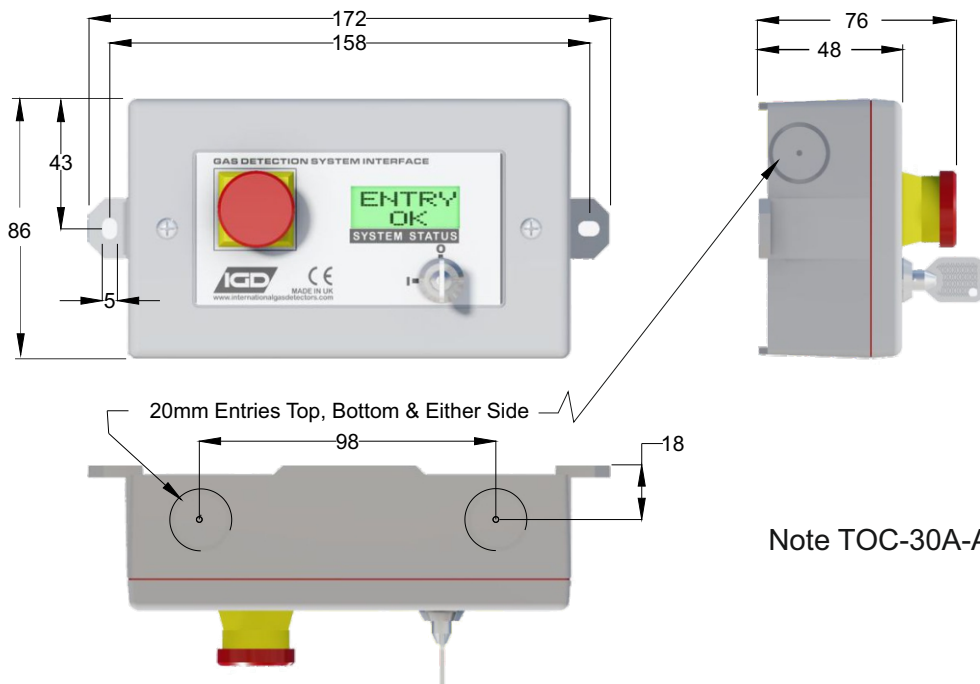
## PART NUMBERS & FEATURES

Part Number	Description	Single Pole Relay	Sounder	Display	E-Stop	Key Switch
TOC-30A-APP	Base Unit with Gas Detector	✓	✓	✓	✓	
TOC-30A-AP1	With E-Stop	✓	✓	✓	✓	
TOC-30A-AP2	With Key Switch	✓	✓	✓		✓
TOC-30A-AP3	With Key Switch & E-Stop	✓	✓	✓	✓	✓

## ANNUNCIATOR TECHNICAL

Housing	ABS
Sealing	IP65 (using suitable glanding)
Environment	0 -95% RH Non Condensing
Temperature	0-55 Deg C
Voltage	12-28V DC
Communication	IGD Sentinel+ Protocol 2-Wire Power and Data Highway Connections as: A, B
Relay	5A Non Inductive Loads 230V AC
Inputs	Pellistor Gas Detector, TOC-10 Link Function Input (see TOC-10)
Sounder	85dB
Display	2 x 8 Programmable LCD with RGB Backlight

## ANNUNCIATOR MOUNTING DETAILS AND DIMENSIONS



Note TOC-30A-AP3 Shown

# PRODUCT DATA SHEET

www.internationalgasdetectors.com



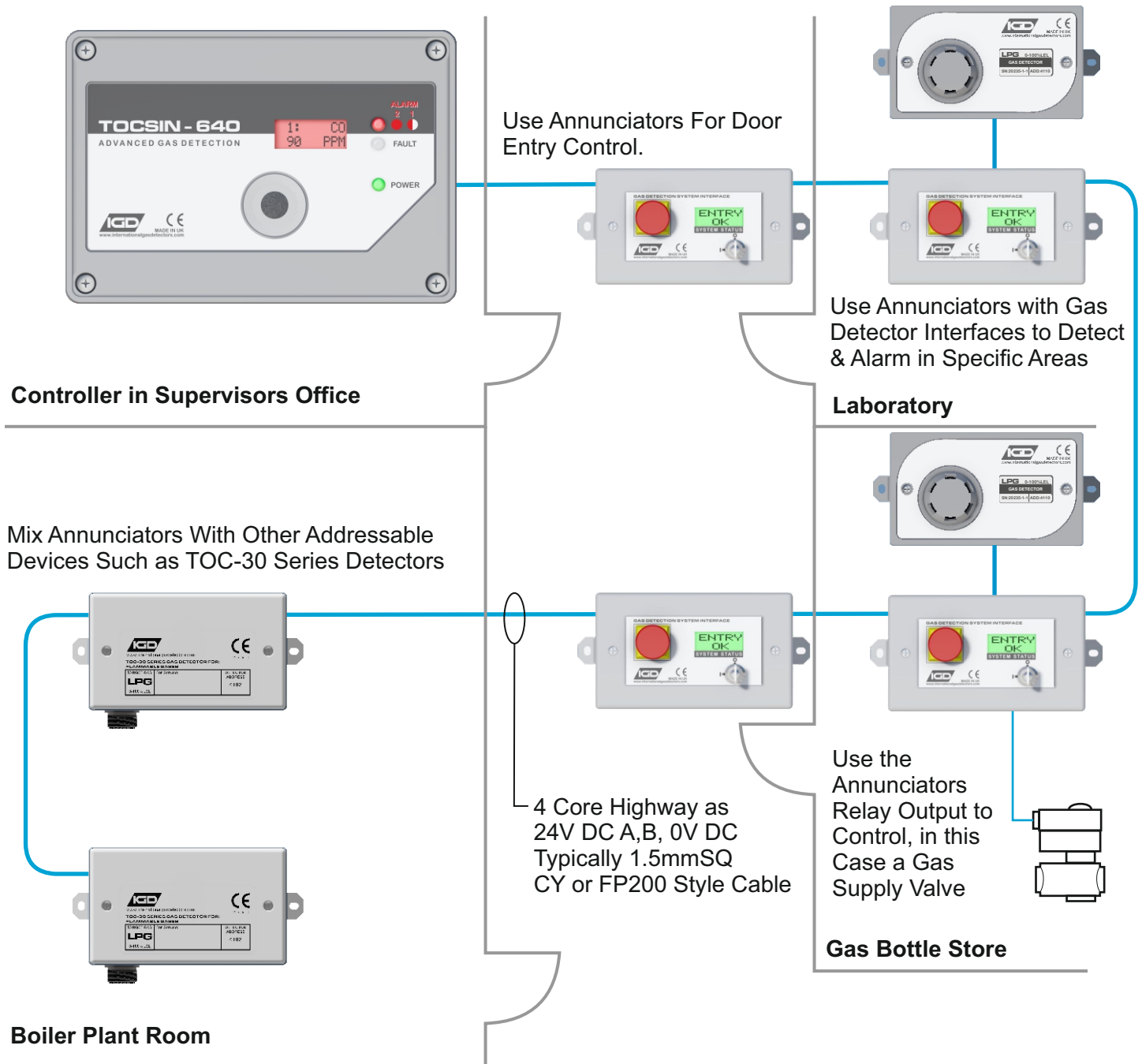
Control Systems

Transmitters

Sensors

Accessories

## SYSTEM EXAMPLE





# PRODUCT DATA SHEET

www.internationalgasdetectors.com

**OLIVER IGD**

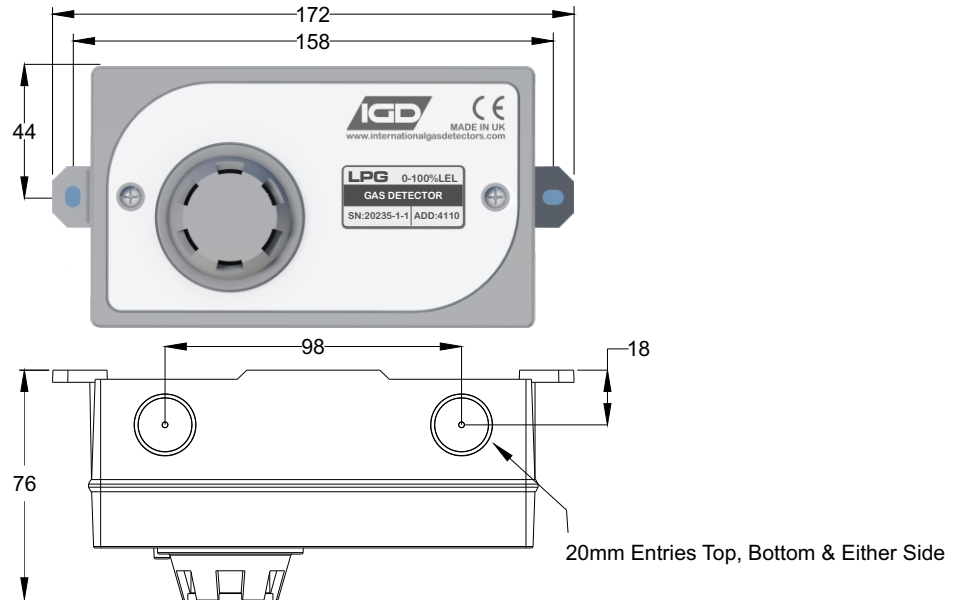
Control Systems

Transmitters

Sensors

Accessories

## GAS DETECTOR MOUNTING DETAILS AND DIMENSIONS



## GAS DETECTOR (TOC-12) TECHNICAL

Housing	ABS,
Sealing	IP65 (using suitable glanding)
Environment	0 -95% RH Non Condensing
Temperature	0-55 Deg C
Power	170mA
Interface	3 Wire Analogue mV max 25M P-Y-W IGD Bridge Interface
Measurement	0-100% LEL
Accuracy	+/- 2% LEL
Repeatability	+/- 1% LEL

## ANNUNCIATOR INTERFACE LOCATIONS

View with front cover removed

