

BC-355

Ball & Cup Mounting for Model 355 (5...250Kg)

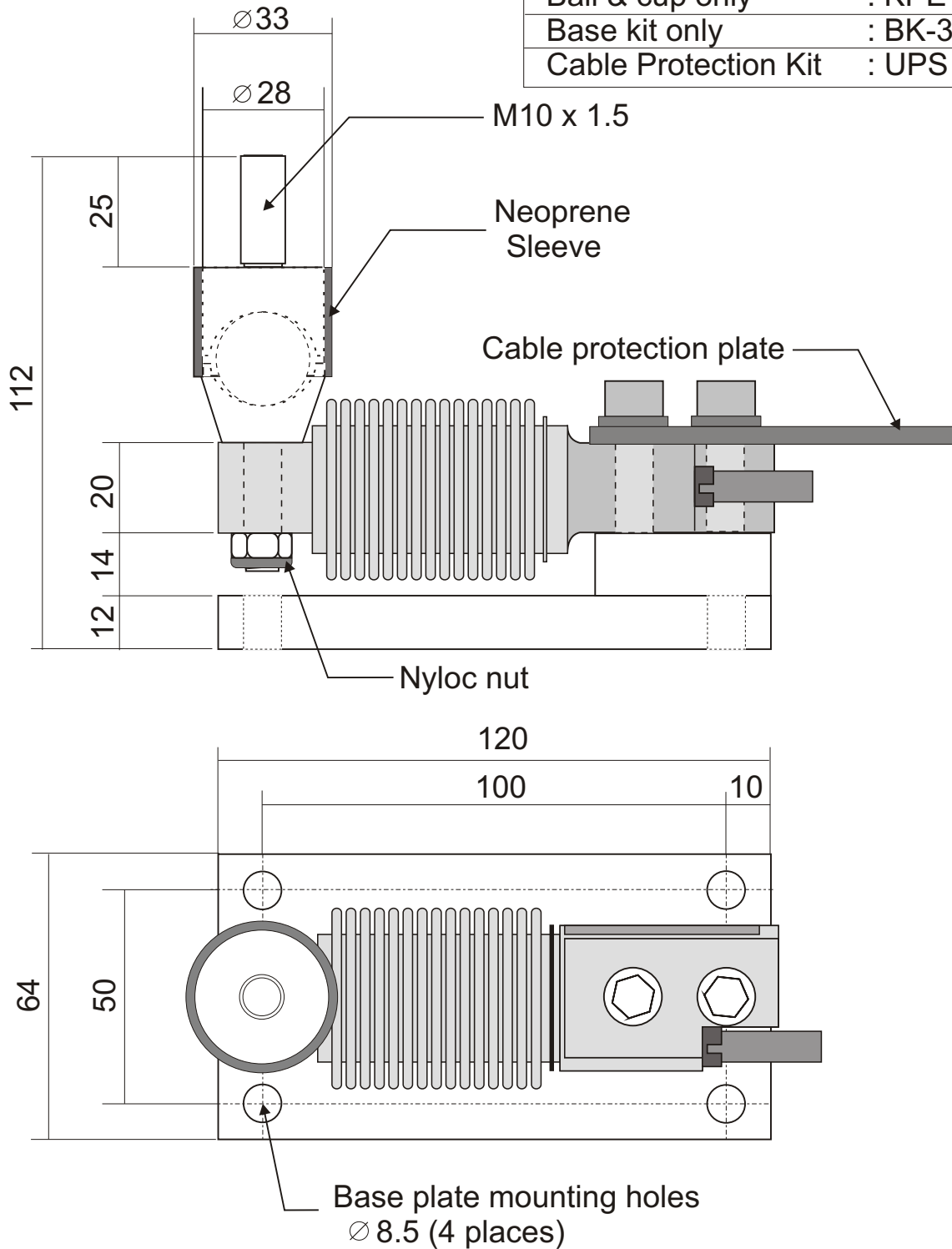
SENSOR
TECHNIQUES LIMITED



Ball & Cup Mounting for Model 355

- Self aligning, reduces the effect of side loads
- Ensures optimum performance from the load cell
- Suitable for use on capacity ranges up to 250kg
- Ideal for small hopper and tank weighing
- Low cost, compact design
- Stainless steel ball & cup, alloy steel base & spacer
- Neoprene sleeve to protect ball & cup
- Available in complete kit form or ball & cup only

Part Number Information :	
Complete version	: BC-355
Ball & cup only	: KPE-355
Base kit only	: BK-355
Cable Protection Kit	: UPS



All Dimensions in mm
 Specifications are subject to change without prior notice

DSBC355-4, 12/09