

# door hardware

alpro®

*Commitment to  
Excellence*



20th ANNIVERSARY • 2013 • 20th ANNIVERSARY • 2013  
**20**  
**YEARS**  
Serving the Industry  
2013 • 20th ANNIVERSARY • 2013

*Commitment to  
Excellence*



**Europrofile  
Deadlocks - P3**



**Round Mortice Cylinder  
Deadlocks - P4 - 5**



**Europrofile  
Deadlatches - P6**



**Round Mortice  
Deadlatches - P7**



**Lever & Paddle  
Handles - P8**



**Lock Accessories -  
P9 - P10**



**Flush Bolts - P10**



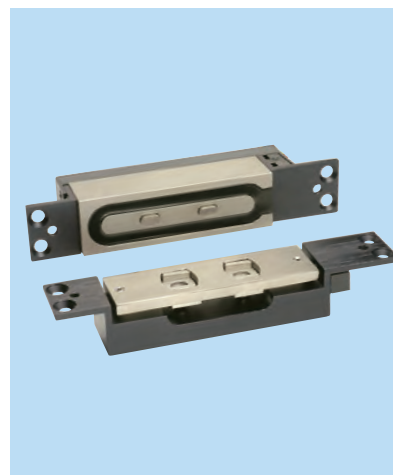
**Magnets - P11**



**Concealed Overhead  
Door Closers - P12 - P13**



**Digital Locks -  
P14 - 15**



**Compact Shearlock  
Magnet - P16**



**Access Control -  
P17 - P18**

### Features

- Range of backsets available
- Faceplate finish SAA
- Stainless steel laminated lockbolts
- Locks accept standard 17mm Europrofile cylinders and thumbturn

### Functionality

Deadlocks are available in both bar and hookbolt versions. The locks provide security deadlocking for a variety of aluminium doors including swinging and sliding applications. The hookbolt is constructed from stainless steel and is a 5 ply laminated construction, with the centre core case hardened, complete with hardened roll pin to resist hacksaw attack. All locks are designed to accept standard profile cylinders or thumbturns.

Code	Description	For use with	Finish
<b>5222025</b>	Narrow stile hookbolt lock to suit 17mm Europrofile cylinder - 25mm backset		N/A
<b>5222025R</b>	Narrow stile hookbolt lock 25mm backset RIV nut fixing		N/A
<b>5222030</b>	Narrow stile hookbolt lock to suit 17mm Europrofile cylinder - 30mm backset		N/A
<b>5222030R</b>	Narrow stile hookbolt lock 30mm backset RIV nut fixing		N/A
<b>5222125</b>	Narrow stile barbolt lock to suit 17mm Europrofile cylinder - 25mm backset		N/A
<b>5222130</b>	Narrow stile barbolt lock to suit 17mm Europrofile cylinder - 30mm backset		N/A
<b>52FP221</b>	Flat faceplate - bar bolt - width 25mm	221	SAA
<b>52FP222</b>	Flat faceplate - hook lock only - width 25mm	220	SAA
<b>52FP225</b>	Radius faceplate - hook lock only - width 25mm	220	SAA
<b>52FP228</b>	Radius faceplate with weather strip - width 25mm	220	SAA

For details of the faceplate variants available, contact the sales office for further information and product codes.

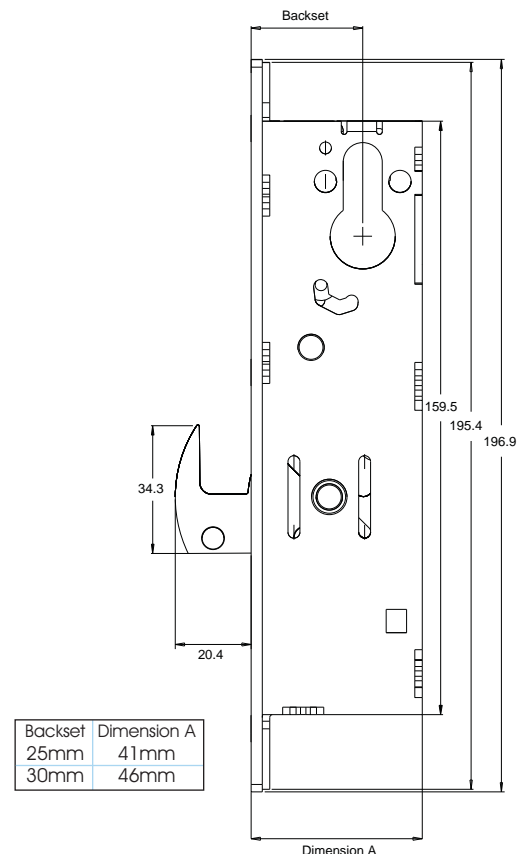
### Conversion Chart

Imperial Backset	Metric Equivalent
7/8"	22.2mm
31/32"	24.6mm
1 1/8"	28.6mm
1 1/2"	38.1mm



52220 Lock Type

52FP222 Faceplate



### Features

- Range of backsets available
- Locks accept standard 1<sup>5</sup>/<sub>32</sub>" mortice key or thumbturn cylinder
- Faceplate finish SAA
- Stainless steel laminated lockbolts

### Functionality

Deadlocks are available in both bar and hookbolt versions. The locks provide security deadlocking for a variety of aluminium doors including swinging and sliding applications. The hookbolt is constructed from stainless steel and is a 5 ply laminated construction, with the centre core case hardened, complete with hardened roll pin to resist hacksaw attack. All locks are designed to accept standard round mortice cylinders or thumbturns.

Code	Description	For use with	Finish
<b>5218501</b>	Narrow stile long throw barbolt deadlock to suit mortice cylinder 7/8" backset		N/A
<b>5218502</b>	Narrow stile long throw barbolt deadlock to suit mortice cylinder 31/32" backset		N/A
<b>5218503</b>	Narrow stile long throw barbolt deadlock to suit mortice cylinder 1 1/8" backset		N/A
<b>5218504</b>	Narrow stile long throw barbolt deadlock to suit mortice cylinder 1 1/2" backset		N/A
<b>52FP1851</b>	Flat faceplate - width 25mm	1850	SAA
<b>52FP1852</b>	Radius faceplate - width 25mm	1850	SAA
<b>52FP1853</b>	Radius faceplate with weather strip - width 25mm	1850	SAA

For details of the faceplate variants available, contact the sales office for further information and product codes.

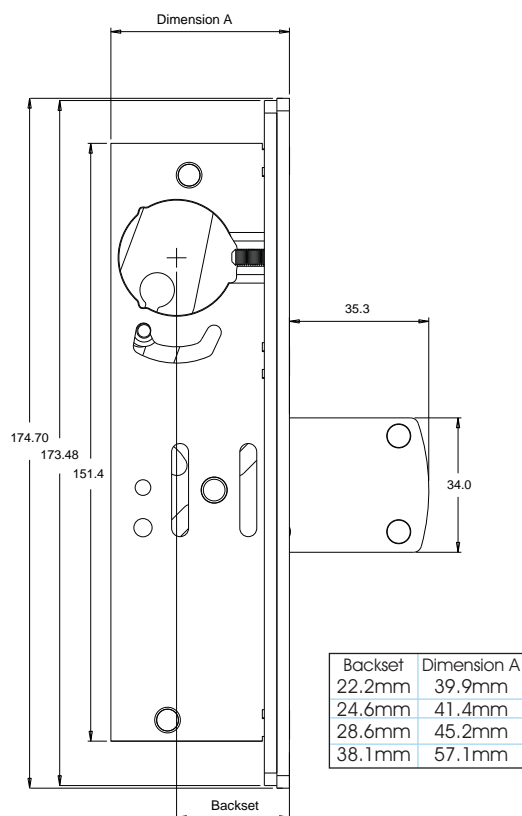
### Conversion Chart

Imperial Backset	Metric Equivalent
7/8"	22.2mm
31/32"	24.6mm
1 1/8"	28.6mm
1 1/2"	38.1mm



**52185 Lock Type**

**52FP1851 Faceplate**



### Features

- Range of backsets available
- Locks accept standard 1<sup>5</sup>/<sub>32</sub>" mortice key or thumbturn cylinder
- Faceplate finish SAA
- Stainless steel laminated lockbolts

### Functionality

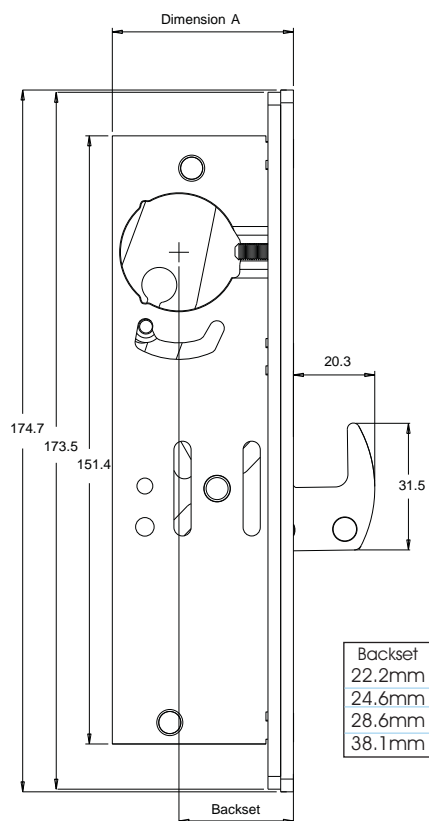
Deadlocks are available in both bar and hookbolt versions. The locks provide security deadlocking for a variety of aluminium doors including swinging and sliding applications. The hookbolt is constructed from stainless steel and is a 5 ply laminated construction, with the centre core case hardened, complete with hardened roll pin to resist hacksaw attack. All locks are designed to accept standard round mortice cylinders or thumbturns.

Code	Description	For use with	Finish
5218201	Narrow stile short throw barbolt deadlock to suit mortice cylinder 7/8" backset		N/A
5218202	Narrow stile short throw barbolt deadlock to suit mortice cylinder 31/32" backset		N/A
5218203	Narrow stile short throw barbolt deadlock to suit mortice cylinder 1 1/8" backset		N/A
5218204	Narrow stile short throw barbolt deadlock to suit mortice cylinder 1 1/2" backset		N/A
5218205	Narrow stile hookbolt deadlock to suit mortice cylinder 7/8" backset		N/A
5218206	Narrow stile hookbolt deadlock to suit mortice cylinder 31/32" backset		N/A
5218207	Narrow stile hookbolt deadlock to suit mortice cylinder 1 1/8" backset		N/A
5218208	Narrow stile hookbolt deadlock to suit mortice cylinder 1 1/2" backset		N/A
52FP1821	Flat faceplate - width 25mm	1820	SAA
52FP1822	Radius faceplate - width 25mm	1820	SAA
52FP1823	Radius faceplate with weather strip - width 25mm	1820	SAA

For details of the faceplate variants available, contact the sales office for further information and product codes.

### Conversion Chart

Imperial Backset	Metric Equivalent
7/8"	22.2mm
31/32"	24.6mm
1 1/8"	28.6mm
1 1/2"	38.1mm





### Features

- Range of backsets available
- Faceplate finish SAA
- Locks accept standard 17mm Europrofile cylinders and thumbturns

### Functionality

Deadlatches offer flexible control of situations and can be used in conjunction with electric strikes to provide the added option of remote access control. Designed to operate on doors with 3mm door gaps.

Code	Description	For use with	Finish
<b>5245701</b>	Deadlatch to suit 17mm Europrofile cylinder 25mm backset (RH)		N/A
<b>5245702</b>	Deadlatch to suit 17mm Europrofile cylinder 25mm backset (LH)		N/A
<b>5245703</b>	Deadlatch to suit 17mm Europrofile cylinder 28mm backset (RH)		N/A
<b>5245704</b>	Deadlatch to suit 17mm Europrofile cylinder 28mm backset (LH)		N/A
<b>5245705</b>	Deadlatch to suit 17mm Europrofile cylinder 38mm backset (RH)		N/A
<b>5245706</b>	Deadlatch to suit 17mm Europrofile cylinder 38mm backset (LH)		N/A
<b>52FP4511</b>	Flat faceplate - width 25mm	4510/4570	SAA
<b>52FP4512</b>	Radius faceplate - width 25mm	4510/4570	SAA
<b>52FP4513</b>	Radius faceplate with weather strip - width 25mm	4510/4570	SAA
<b>5245-FIX-KIT</b>	Deadlatch fixing kit - width 25mm	4570/4510	N/A
<b>5245ESP</b>	Extended strike plate	4570/4510	N/A
<b>5235</b>	Strike plate		N/A

For details of the faceplate variants available, contact the sales office for further information and product codes.

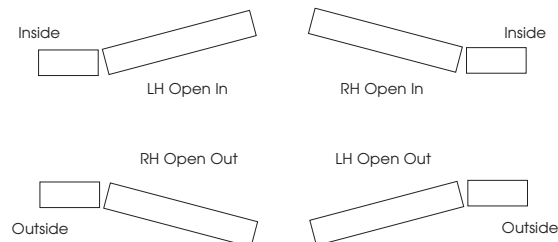
- Industry standard ANSI cut outs
- Europrofile or round mortice cylinder options
- Multiple backsets available
- Latch hold back facility
- Latches compatible for use with electric strikes

### Handing of doors for locks

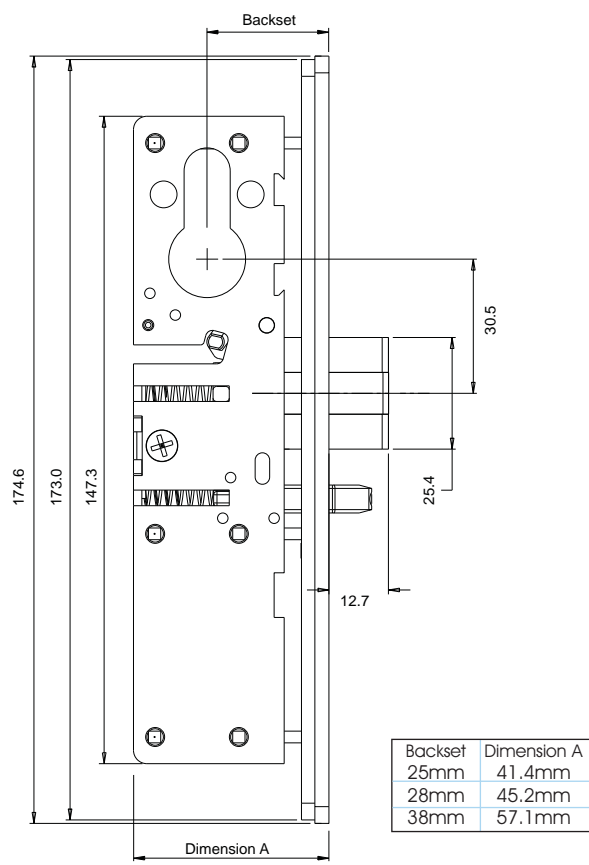
The description of swinging door operation always viewed from the outside.

LH: Door hinges on left

RH: Door hinges on right



**NB - For conversion table for lock backsets see page 3**



### Features

- Range of backsets available
- Locks accept standard 1<sup>5</sup>/<sub>32</sub>" mortise key or thumbturn cylinder
- Faceplate finish SAA

### Functionality

Deadlatches offer flexible control of situations and can be used in conjunction with electric strikes to provide the added option of remote access control. Designed to operate on doors with 3mm door gaps, the deadlatches can also be operated with the 459 paddle handle (cam plug required).

Code	Description	For use with	Finish
<b>5245101</b>	Deadlatch to suit round mortise cylinder 1 <sup>1</sup> / <sub>8</sub> " backset (RH)		N/A
<b>5245102</b>	Deadlatch to suit round mortise cylinder 1 <sup>1</sup> / <sub>8</sub> " backset (LH)		N/A
<b>5245103</b>	Deadlatch to suit round mortise cylinder 3 <sup>1</sup> / <sub>32</sub> " backset (RH)		N/A
<b>5245104</b>	Deadlatch to suit round mortise cylinder 3 <sup>1</sup> / <sub>32</sub> " backset (LH)		N/A
<b>52FP4511</b>	Flat faceplate - width 25mm	4570/4510	SAA
<b>52FP4512</b>	Radius faceplate - width 25mm	4570/4510	SAA
<b>52FP4513</b>	Radius faceplate with weather strip - width 25mm	4570/4510	SAA
<b>5245-FIX-KIT</b>	Deadlatch fixing kit	4570/4510	N/A
<b>5245ESP</b>	Extended strike plate	4570/4510	N/A
<b>5235</b>	Strike plate		N/A
<b>HP4560-EXT-RH</b>	Extended cam - RH		N/A
<b>HP4560-EXT-LH</b>	Extended cam - LH		N/A

For details of the faceplate variants available, contact the sales office for further information and product codes.

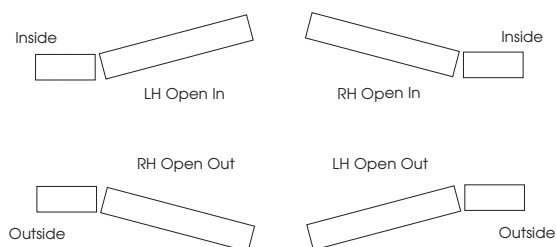
- Industry standard ANSI cut outs
- Europrofile or round mortise cylinder options
- Multiple backsets available
- Latch hold back facility
- Latches compatible for use with electric strikes

### Handing of doors for locks

The description of swinging door operation always viewed from the outside.

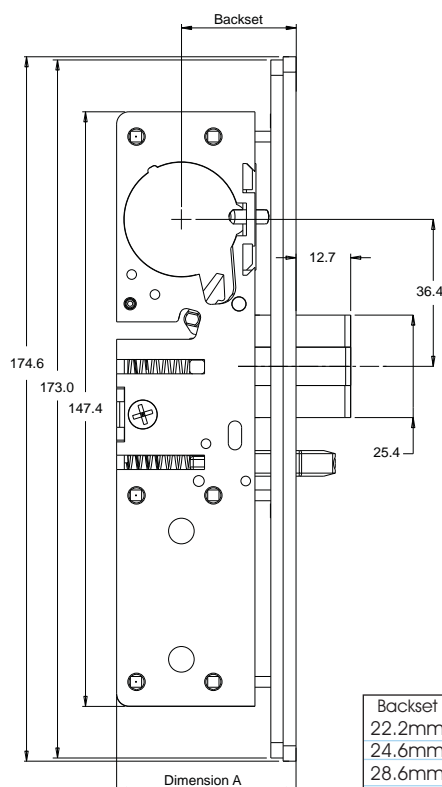
LH: Door hinges on left

RH: Door hinges on right



524510 Lock Type

52FP4514 Faceplate



**NB - For conversion table for lock backsets see page 3**

### Features

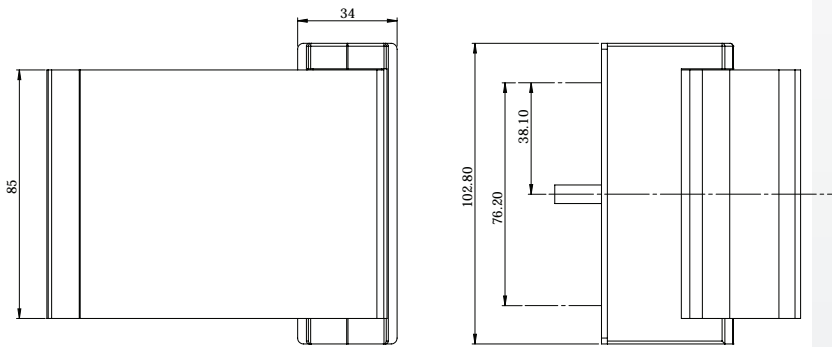
- Paddle handle for use with deadlatches
- Suit 44mm thick doors
- Cam plug non-handed. Reversible in the field

### Functionality

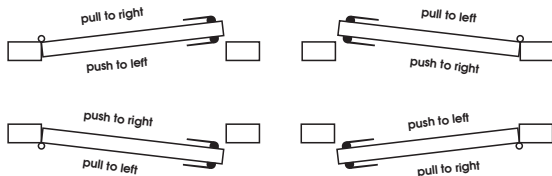
Designed to be ergonomically friendly and practical. Coming complete with cam plug enables the handles to be used in conjunction with the 524510 deadlatch range of locks.



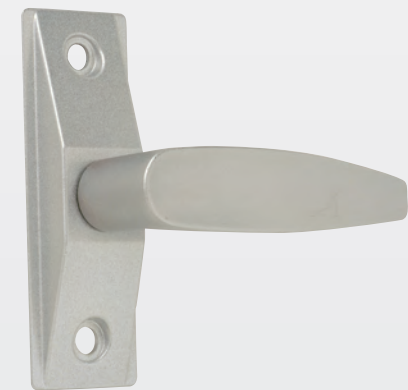
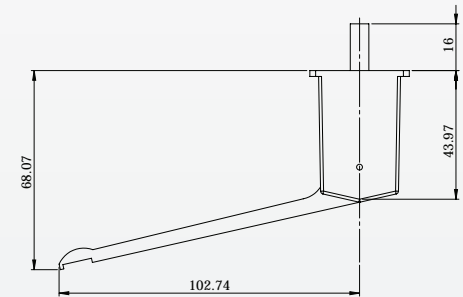
Code	Description	For use with	Finish
524591	Paddle handle complete with cam plug pull to left	4510	SAA
524592	Paddle handle complete with cam plug push to left	4510	SAA
524597	Paddle handle complete with cam plug pull to right	4510	SAA
524598	Paddle handle complete with cam plug push to right	4510	SAA



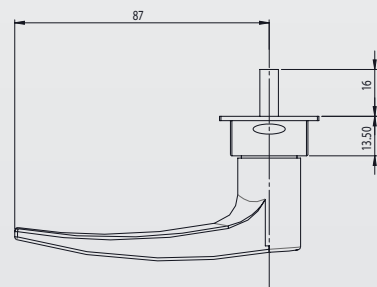
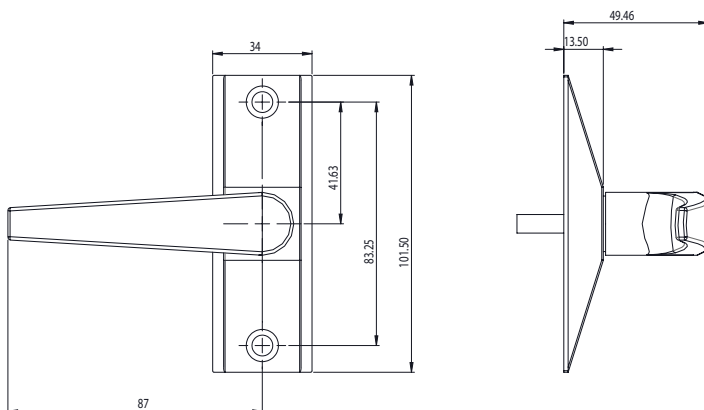
Inside of Doorway



Outside of Doorway



Code	Description	For use with	Finish
5245601	Lever handle complete with cam plug (RH)	4510	SAA
5245602	Lever handle complete with cam plug (LH)	4510	SAA
HP4560-EXT-RH	Extended cam - RH		N/A
HP4560-EXT-LH	Extended cam - LH		N/A





### Features

- Keyed alike and keyed different options available
- Dual and half profile

Code	Description	For use with	Finish
<b>5210</b>	Alpro key blank – Euro	Profile cylinders	N/A
<b>5211</b>	Lock mounting clips – per pair	All locks	N/A
<b>5214</b>	Double Europrofile cylinder 60mm – keyed to differ	4570/220/221	SAA
<b>5216/KA1</b>	Double Europrofile cylinder 60mm (KA Set 1) – keyed to pass	4570/220/221	SAA
<b>5216/KA2</b>	Double Europrofile cylinder 60mm (KA Set 2) – keyed to pass	4570/220/221	SAA
<b>5218</b>	Key and thumbturn Euro cylinder 60mm – keyed to differ	4570/220/221	SAA
<b>5220/KA1</b>	Key and thumbturn Euro cylinder 60mm (KA Set 1) – keyed to pass	4570/220/221	SAA
<b>5220/KA2</b>	Key and thumbturn Euro cylinder 60mm (KA Set 2) – keyed to pass	4570/220/221	SAA
<b>5222</b>	Half Europrofile cylinder – keyed to differ	4570/220/221	SAA
<b>5224/KA1</b>	Half Europrofile cylinder (KA Set 1) – keyed to pass	4570/220/221	SAA
<b>5224/KA2</b>	Half Europrofile cylinder (KA Set 2) – keyed to pass	4570/220/221	SAA
<b>5226</b>	Self adhesive escutcheons	4570/220/221	SAA
<b>5227</b>	Self adhesive escutcheons	4570/220/221	Black
<b>5258</b>	Double cylinder x 2 keyed alike as a pair	4570/220/221	SAA
<b>5259</b>	Double cylinder including key and thumbturn 60mm 1 pair – keyed to pass	4570/220/221	SAA
<b>5260</b>	Key and thumbturn Euro cylinder 60mm 1 pair – keyed to pass	4570/220/221	SAA



**5214 EuroProfile Cylinder**



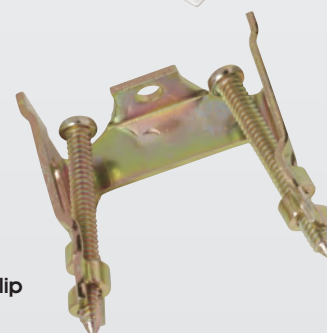
**5218 Europrofile Cylinder and Thumbturn**



**5222 Half Profile Cylinder**



**5245-FIX-KIT**  
Fixing kit for Deadlatches



**5211 Lock Mounting Clip**

### Round Mortice Cylinders

#### Features

- Standard keyways
- Range of finishes
- 1<sup>5</sup>/<sub>32</sub>" standard cylinder

Code	Description	For use with	Finish
<b>5228</b>	Round mortice cylinder keyed to differ	1820/1850/4510	Satin
<b>5228-TRIM</b>	Trim ring - round mortice cylinder		Satin
<b>5229</b>	Round mortice cylinder keyed to pass	1820/1850/4510	Satin
<b>5230</b>	Round mortice thumbturn	1820/1850/4510	Satin
<b>5231</b>	Round mortice cylinder guard	1820/1850/4510	Satin
<b>5241</b>	Pair of 5228 round mortice cylinders complete with 2 keys		Satin
<b>5242</b>	Round mortice cylinder - trim ring 1.5mm thick	5228/5229/5230	Satin
<b>5243</b>	Round mortice cylinder - trim ring 2.5mm thick	5228/5229/5230	Satin
<b>5244</b>	Round mortice cylinder - trim ring 3mm thick	5228/5229/5230	Satin
<b>5247</b>	Key blank	Round cylinders	

### Armoured Strikes

#### Features

- Armoured strike
- Increased jamb protection

Code	Description	For use with	Finish
<b>5212</b>	Armoured strike	220	N/A
<b>5213</b>	Armoured strike faceplate - Radius	220	N/A
<b>5213-FLAT</b>	Armoured strike faceplate - Flat	220	N/A

### Flushbolts and Accessories

#### Features

- Die cast zinc alloy operation mechanism
- Available in Silver finish
- Complete with bolt guide
- Spring loaded floor sockets available on request
- Flat or radius profiles available

#### Functionality

Flushbolts are used to facilitate the locking of the inactive leaf of a pair of aluminium, steel or timber doors. Complete with the necessary flushbolt guide and optional spring loaded floor sockets, the bolts allow both a secure and aesthetically pleasing locking solution.

Code	Description	Finish
60FSAA	Flat flushbolt - complete with guide	SAA
60RSAA	Radius flushbolt - complete with guide	SAA
60FS	Floor socket	N/A
60BG	Bolt guide	N/A



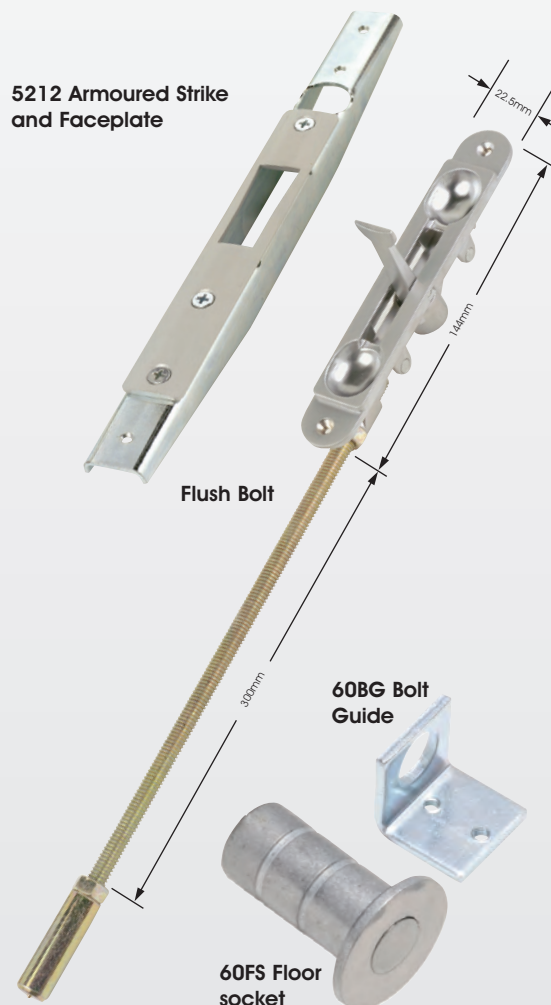
**5228 Round Mortice Cylinder**

**5230 Round Mortice Thumbturn**



**5231 Round Mortice Cylinder Guard**

**5212 Armoured Strike and Faceplate**



### Functionality

Magnets can be used to facilitate access and exit control systems for a variety of aluminium, timber and steel doors. The magnets embodies clean aesthetic looks with the ability to maintain a holding force of 250kgs (550lbs), offers low maintenance, and ease of installation. They provide positive fail safe operation (unless battery back up is available) at all times. Suitable for both inward and outward opening doors.

### 250kg Mini Magnets

Code	Description
56121	250kgs mini magnet non monitored
56122	250kgs double mini magnet non monitored
56111	250kgs mini magnet monitored
56112	250kgs double mini magnet monitored

### Specification - (250kg mini magnet)

Single magnet	25mm x 250mm x 42mm
Double magnet	25mm x 500mm x 42mm
Armature plate	160mm x 36mm x 11mm (x 2 for double magnet)
Holding force	250kgs (550lbs) (x 2 for double magnet)

### 500kg Magnets

Code	Description
56221	500kgs magnet non monitored
56222	500kgs double magnet non monitored
56211	500kgs magnet monitored
56212	500kgs double magnet monitored

### Specification - (500kg magnet)

Single magnet	40mm x 266mm x 73mm
Double magnet	40mm x 532mm x 73mm
Armature plate	160mm x 61mm x 16mm (x 2 for double magnet)
Holding force	510kgs (1120lbs) (x 2 for double magnet)

### General Specification

Supply voltage	Dual voltage 12 or 24vDC (Dual coil). Nominal +/- 10%
Nominal current	500mA @ 12vDC, 250mA @ 24vDC
	Built in voltage spike suppressor
Monitoring	Relay with dry contact integral LED
Door Gaps	Maximum 3mm
Positioning	Outward opening - surface mounted to door header transom bar. Inward opening - door frame transom bar using L and Z brackets
Magnet housing	Brushed Satin Aluminium
<b>Please note</b>	<b>To ensure immediate release, it is important that the release switch breaks the circuit between the power supply and the magnet</b>

### Magnet Accessories

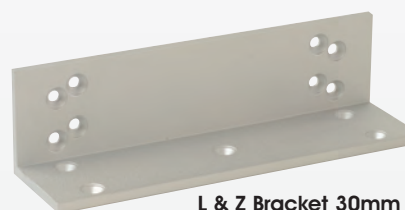
Adjustable L brackets: Suits typical outward opening door applications, where space restrictions do not allow the magnet to be fitted at the head of the door frame. L & Z brackets allow magnets to be used on inward opening door applications.

Code	Description
561A	L bracket for mini magnet
562A	L & Z bracket for mini magnet
563A	L bracket for 500kgs magnet
564A	L & Z bracket for 500kgs magnet

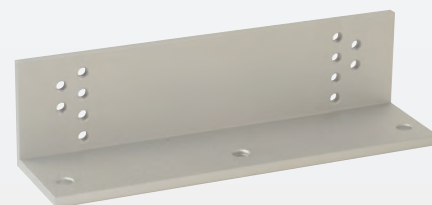
**N.B. - 2 brackets required for double magnet**



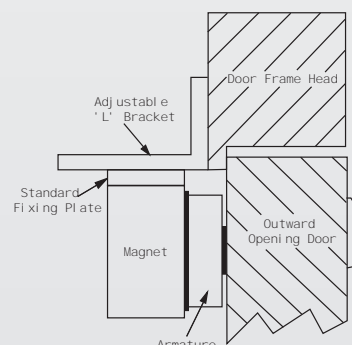
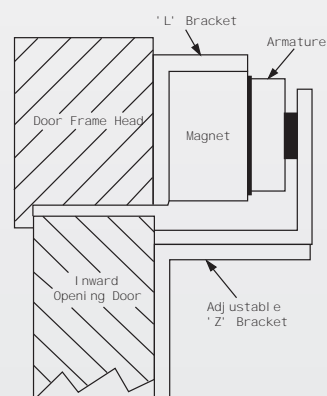
Adjustable L Bracket  
30mm x 250mm x 48mm



L & Z Bracket 30mm x 250mm x 48mm  
(adjustable and standard L brackets)



L & Z Bracket 30mm x 250mm x 48mm  
50mm x 160mm x 50mm (adjustable plates)



### Features

- Independently tested to 250,000 double action cycles to EN1154
- 90° hold open facility available at no extra cost
- Standard spindle length - 12mm
- Replacement items available for retrofit installations and maintenance
- Quality products at acceptable prices
- Nationwide maintenance service available

### Functionality

The overhead door closer is designed to be concealed within the transom header bar of the door. It provides controlled closing of a single or double action, aluminium door or doors. Features built into the closer include dual closing speeds to allow flexibility in closing; three levels of spring strength and 90° hold open facility. The closer comes complete with its own fixing pack and comprehensive fixing instructions. Various arms and spindle lengths are available on request.



### Side Loading Option (Includes 51A2 Arm)

Code	Description
<b>DDA-NHO-T1-U</b>	DDA Compliant - no hold open
<b>510100T1-U</b>	Light duty (size 1) - no hold open
<b>510200T1-U</b>	Medium duty (size 2) - no hold open
<b>510300T1-U</b>	Heavy duty (size 3) - no hold open
<b>510900T1-U</b>	Variable strength - no hold open
<b>DDA-HO-T1-U</b>	DDA Compliant - 90° hold open
<b>510190T1-U</b>	Light duty (size 1) - 90° hold open
<b>510290T1-U</b>	Medium duty (size 2) - 90° hold open
<b>510390T1-U</b>	Heavy duty (size 3) - 90° hold open
<b>510990T1-U</b>	Variable strength - 90° hold open
<b>510400DT1-U</b>	Dummy Closer

### End Loading Option (Includes 51A3 Arm)

Code	Description
<b>DDA-NHO-T2-U</b>	DDA Compliant - no hold open
<b>510100T2-U</b>	Light duty (size 1) - no hold open
<b>510200T2-U</b>	Medium duty (size 2) - no hold open
<b>510300T2-U</b>	Heavy duty (size 3) - no hold open
<b>510900T2-U</b>	Variable strength - no hold open
<b>DDA-HO-T2-U</b>	DDA Compliant - 90° hold open
<b>510190T2-U</b>	Light duty (size 1) - 90° hold open
<b>510290T2-U</b>	Medium duty (size 2) - 90° hold open
<b>510390T2-U</b>	Heavy duty (size 3) - 90° hold open
<b>510990T2-U</b>	Variable strength - 90° hold open
<b>510400DT2-U</b>	Dummy Closer

### Short Side Loading Option (Includes 51A1 Arm)

Code	Description
<b>DDA-NHO-T3-U</b>	DDA Compliant - no hold open
<b>510100T3-U</b>	Light duty (size 1) - no hold open
<b>510200T3-U</b>	Medium duty (size 2) - no hold open
<b>510300T3-U</b>	Heavy duty (size 3) - no hold open
<b>510900T3-U</b>	Variable strength - no hold open
<b>DDA-HO-T3-U</b>	DDA Compliant - 90° hold open
<b>510190T3-U</b>	Light duty (size 1) - 90° hold open
<b>510290T3-U</b>	Medium duty (size 2) - 90° hold open
<b>510390T3-U</b>	Heavy duty (size 3) - 90° hold open
<b>510990T3-U</b>	Variable strength - 90° hold open
<b>510400DT3-U</b>	Dummy Closer

### 51A1

Special Top Arm Assembly  
Short Side Load

For use with 65mm pivot and 51A5 'F' bracket



### 51A2

Side Load Top Arm Assembly  
70mm pivot



- NB** - Trade pack quantity for all closer types is 4  
 - 17mm Extended Spindle, change code to 'X-U'  
 i.e 510190T1X-U  
 - 22mm Extended Spindle, change code to 'X-U-22'  
 i.e 510190T1X-U-22



# closers

## Overhead Specifications

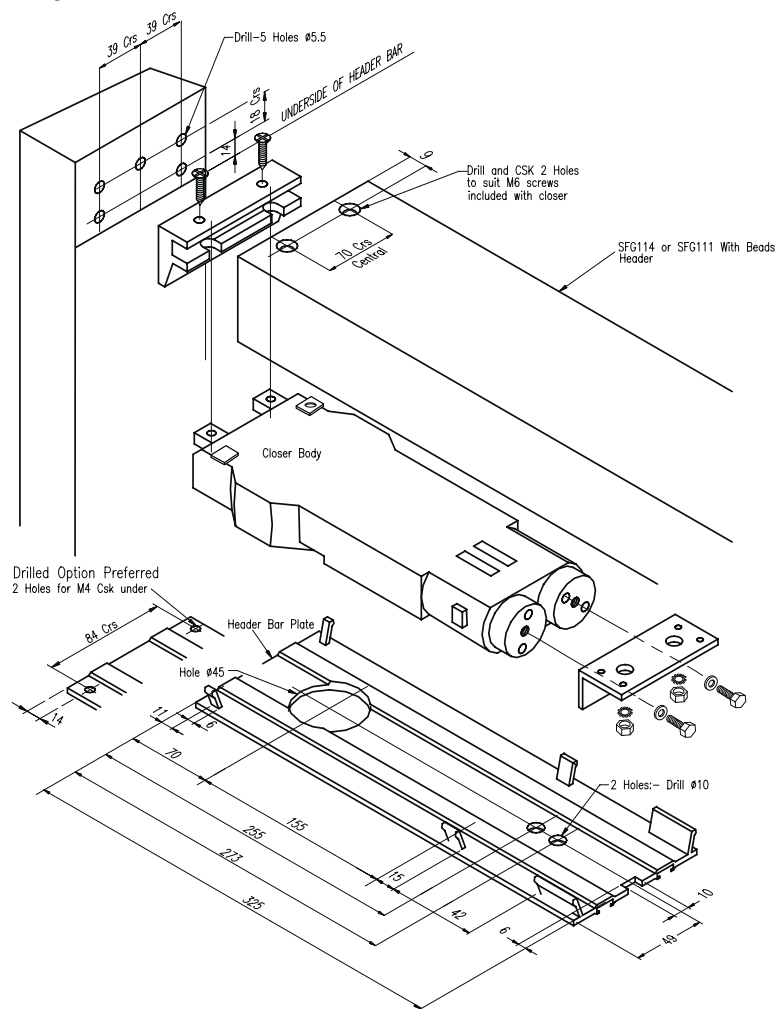


Dimensions	293mm x 90mm
Concealed thickness	37mm
Maximum door width	Light spring - under 750mm (size 1) Medium spring - 751mm to 950mm (size 2) Heavy spring - 951mm to 1150mm (size 3)
Maximum door weight	100kg
Maximum door height	Light, medium and heavy spring - 2540mm
Closing speed	Dual; initial closing speed is factory preset. Final closing speed is full adjustable after installation
Lubrication	Stable hydraulic fluid suitable for most climatic conditions and constant lubrication
Function	Built in positive back stop and optional 90° hold open position

### Accessories

Code	Description
51A1	Special top arm assembly - short side load
51A2	Side load top arm assembly
51A3	End load top assembly - use for round nose stiles
51A4	Standard bottom pivot assembly
51A5	"F" bracket, closing jamb/header bar bracket including fixings
51A10	Heavy duty bottom pivot assembly - maximum weight 120kg

### Preparation Detail



### 51A3 End Load Top Assembly Use for Roundnose Stiles



### 51A4 Bottom Pivot Assembly

### 51A10 Heavy Duty Bottom Pivot Assembly also available



### 51A5 'F' Bracket with Screws (Set A)





# access control

## 3000 Series Simplex Digital Lock



### Features

- Designed for narrow stile aluminium doors
- In or out swing doors
- Key override, lockout and passage features
- Requires factory handed drive mechanism
- Satin Chrome finish
- Simple on door code change
- Weather resistant

### Functionality

The 3000 Series Simplex Digital Lock provides fully mechanical pushbutton access control for narrow stile aluminium doors, with no electrical wiring, electronics or batteries. Exterior access is by combination or key override. Egress is by Alpro hardware and is free at all times.

The 3000 Series lock is designed for use with Alpro latch mechanisms and most Alpro egress hardware. Any standard mortice cylinder that operates the Alpro latch will function with a 3000 series lock. Key cylinders, cylinder trim rings, mortice latches and egress hardware are not provided.

3000 Series locks are ideal for limiting access to high traffic, security sensitive areas in commercial, institutional, government and industrial buildings. These locks are perfect for locations with a high personnel turnover rate such as data processing centres, employee entrances, R&D labs, apartments, dormitories and restricted areas in hospitals and airports.

The pushbutton design eliminates problems associated with the issue, control and collection of keys and magnetic cards. The combination can be quickly and easily changed to ensure continued security once employees, tenants or guests leave, saving the cost of new keys, cylinders, magnetic cards and card-encoding devices. The combination is changed without removing the lock from the door.



#### Dimensions

<b>Case Depth</b>	<b>44</b>
<b>Backset</b>	<b>48</b>
<b>Height</b>	<b>24</b>
<b>Width</b>	<b>40</b>

Code	Description	Finish
<b>ALP3000</b>	Digital lock body	Satin/Chrome
<b>ALP3010</b>	Lock back plate RH	
<b>ALP3020</b>	Lock back plate LH	

### Accessories

Code	Description	Finish
<b>5228</b>	Round mortice cylinder keyed to differ	Satin
<b>5229</b>	Round mortice cylinder keyed to pass	Satin
<b>5242</b>	Round mortice cylinder - trim ring 1.5mm thick	Satin
<b>5245101</b>	Deadlatch to suit round mortice cylinder - 1 1/8" backset (RH)	N/A
<b>5245102</b>	Deadlatch to suit round mortice cylinder - 1 1/8" backset (LH)	N/A
<b>5245103</b>	Deadlatch to suit round mortice cylinder - 3 1/32" backset (RH)	N/A
<b>5245104</b>	Deadlatch to suit round mortice cylinder - 3 1/32" backset (LH)	N/A
<b>52FP4511</b>	Flat faceplate	SAA

# access control

## 3000 Series Digital Lock - Parts Required

### Hinged on Left Opening In

- ALP3000 Digital Unit
- ALP3020 Drive Assembly (LH)
- 5228 Round Mortice Cylinder
- 5242 1.5mm Cylinder Trim Ring
- 524510(2) or (4) Round Mortice Deadlatch (LH)
- 52FP4511 Flat Faceplate\*

### Internal Egress any one of the following

- 5230 Round Mortice Thumbturn
- 5245602 Lever Handle & Cam Plug (LH)
- 524597 Paddle Handle & Cam Plug (Pull RH)

### Hinged on Right Opening In

- ALP3000 Digital Unit
- ALP3010 Drive Assembly (RH)
- 5228 Round Mortice Cylinder
- 5242 1.5mm Cylinder Trim Ring
- 524510(1) or (3) Round Mortice Deadlatch (RH)
- 52FP4511 Flat Faceplate\*

### Internal Egress any one of the following

- 5230 Round Mortice Thumbturn
- 5245601 Lever Handle & Cam Plug (RH)
- 524591 Paddle Handle & Cam Plug (Pull LH)

### Hinged on Left Opening Out

- ALP3000 Digital Unit
- ALP3020 Drive Assembly (LH)
- 5228 Round Mortice Cylinder
- 5242 1.5mm Cylinder Trim Ring
- 524510(1) or (3) Round Mortice Deadlatch (RH)
- 52FP4511 Flat Faceplate\*

### Internal Egress any one of the following

- 5230 Round Mortice Thumbturn
- 5245602 Lever Handle & Cam Plug (LH)
- 524598 Paddle Handle & Cam Plug (Pull RH)

### Hinged on Right Opening Out

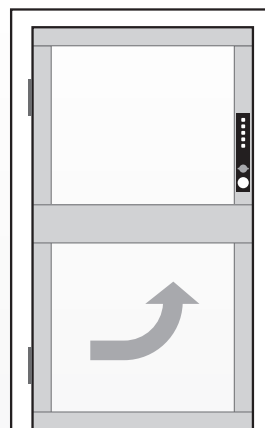
- ALP3000 Digital Unit
- ALP3010 Drive Assembly (RH)
- 5228 Round Mortice Cylinder
- 5242 1.5mm Cylinder Trim Ring
- 524510(2) or (4) Round Mortice Deadlatch (LH)
- 52FP4511 Flat Faceplate\*

### Internal Egress any one of the following

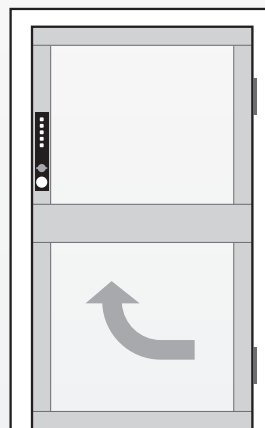
- 5230 Round Mortice Thumbturn
- 5245601 Lever Handle & Cam Plug (RH)
- 524592 Paddle Handle & Cam Plug (Pull LH)

\*Radius and Weather Strip faceplates available

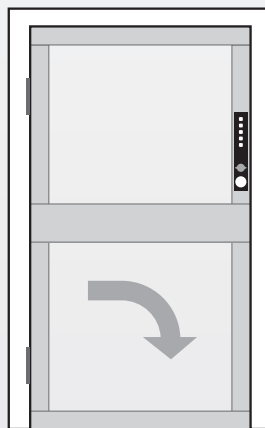
**Important Note:** Handing of Alpro 3000 Mechanical Digital Locks must be done looking at the side of the door the digital unit will be fixed to, as shown in the diagrams opposite.



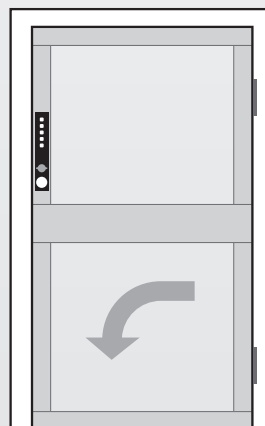
Hinged on Left Opening In



Hinged on Right Opening In



Hinged on Left Opening Out



Hinged on Right Opening Out

# access control

## Compact Shearlock Magnet



### Functionality

The Alpro EMS1200 compact shearlock is available in mortice or surface mount models (inc. glass mount) and offers slimline dimensions whilst maintaining a holding force in shear of 1200kg. Versatile installation suitable for single or double action doors.

Other benefits include built in PCB controller with switch selectable features and plug in 3 metre flying leads.

### Compact Design

Magnet 163mm (L) x 30mm (W) x 35mm (D)  
 Armature 163mm (L) x 30mm (W) x 32mm (D)

### Accessories

For use with surface mount housings. Aluminium glass mount bracket suitable for 10-12mm glass - 230mm (L) x 30mm (W) x 45mm (D)

Filler plates – 225mm (L) x 1/2/6mm (W) x 38mm(D)

Code	Description
EMS1200M	Mortice shearlock 12/24v DC Door Position switch – monitored complete with on board PCB/plug in 3m flying leads
EMS1200S	Surface mount shearlock as above complete with surface mount housings x 2
EMS1200MS	Mortice shearlock as above complete with surface mount housings x 1

### Accessories

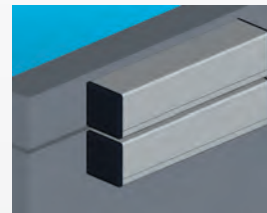
Code	Description
GDC 1200	Aluminium frameless glass (10/12mm) door clamp for use with EMS1200S. One per surface mount housing e.g. 2 required for use with EMS1200S. 1 required for use with EMS1200SM
FP1200-1	Aluminium filler plate 1mm thick x 1
FP1200-2	Aluminium filler plate 2mm thick x 1
FP1200-6	Aluminium filter plate 6mm thick x 1

### Regulated Power Supply

Code	Description
IECPSU12V2AMP	12v 2Amp power supply unit
IECPSU24V2AMP	24v 2Amp power supply unit

### Regulated PSU required for correct operation

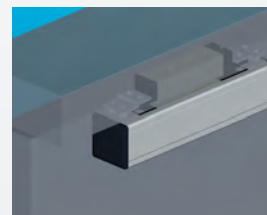
Independent DPS (door position switch) required for steel door applications. Suitable positive centring closer required on double action doors.



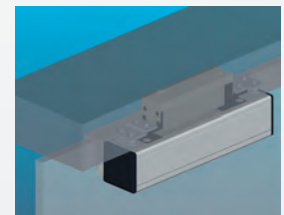
Metal door to metal frame - flush



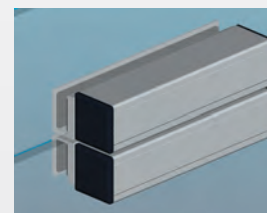
Metal door to metal frame - Offset



Metal door to metal frame



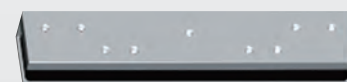
Frameless glass door to metal frame. Armature surface



Frameless glass door to glass



SM1200



GDC1200



FP 1200-1/2/6

### AL110 ANSI Electric Strike

#### Features

- Compact body design - 35mm depth
- Deep jaw - accepts 13mm latch bolt
- Simple function changeover
- Low current consumption - 12vDc - 200mA  
- 24vDC - 100mA
- Holding force 1,750Kg (3,860lb) - factory tested
- Long and short ANSI stainless steel faceplates
- 15, 25, 50 & 70mm extension lips available
- Mounting kit supplied as standard
- Monitored version available
- Easy installation
- Weather resistant



Code	Description	Function
AL111AS	12/24vDC ANSI Short	Fail Safe/PTL
AL112AS	12/24vDC ANSI Short	Fail Secure/PTO
AL111BS	12/24vDC ANSI Long	Fail Safe/PTL
AL112BS	12/24vDC ANSI Long	Fail Secure/PTO

### AL2000 Monitored Electric Strike

#### Features

- Stainless steel one part body and striker
- Compact body design - 26mm overall depth
- Fail Safe/Fail Secure selectable
- Latch & Door monitoring
- Anti-tamper monitoring
- Low current consumption - 12vDC - 220mA  
- 24vDC - 110mA
- Holding force - 1,380kg (3,000lb) - factory tested
- Unmonitored version available
- 15, 25, 50 & 75mm extension lips available
- Easy installation
- Weather resistant



Code	Description	Function
AL2001	12/24vDC Monitored	Fail Safe/PTL

### AL150 RIM Electric Strike

#### Features

- Stainless steel striker
- Compact cast aluminium body - Enclosed in one-part case
- Simple Fail Safe/Fail Secure Changeover
- Latch & Door monitoring
- Low current consumption - 200mA - 12vDC Continuous ( $\pm 15\%$ )  
- 100mA - 24vDC Continuous ( $\pm 15\%$ )
- Holding force - 750kg (1,680lb) - factory tested
- Easy installation
- Weather resistant

Code	Description	Function
AL151	12/24vDC Rim Strike	Fail Safe/PTL

**PLEASE SEE OUR ACCESS CONTROL CATALOGUE FOR OUR FULL RANGE**

# access control

## Solenoid Bolts & Waterproof Keypads



### EB250 & EB250KO Solenoid Bolt

#### Features

- Stainless steel bolt - 14mm diameter / 14mm throw
- Stainless steel construction - holds up to 1,000kg
- Mortice and surface fitting
- Horizontal and vertical installation
- Dual monitoring - EB250 / Triple Monitoring - EB250KO
- Low current consumption - 12vDC - 120mA  
- 24vDC - 70mA
- Automatic voltage adjustments - from 12vDC to 24vDC
- Built in access control processor - automatic unlock period - 8 seconds
- Multiple auto relock function
- Key override model available (EB250KO)
- Accessories available



Code	Description	Function
<b>EB-250/PTL</b>	12-24vDC Radius Faceplate	Fail Open/PTL
<b>EB-250/PTL</b>	12-24vDC Square Faceplate	Fail Open/PTL
<b>EB-250KO/PTO</b>	12-24vDC Key Override Radius Faceplate	Fail Secure/PTO
<b>EB-250SKO/PTO</b>	12-24vDC Key Override Square Faceplate	Fail Secure/PTO

### Waterproof Keypads

#### Features

- No moving parts - Solid state Piezo technology
- Waterproof - IP68 Certificated - Highest certification possible
- Slimline design - 44.5mm (W) x 181mm (L)
- Tamper resistant - Security plugs provided
- Vandal resistant - One piece solid housing
- Variable length codes - from 4 to 8 digit codes can be used simultaneously
- Up to 200 user codes - 100 million combinations 4 to 8 digit codes
- CE and UL approved

Code	Description
<b>Self contained single door access control - 200 users</b>	
<b>AS-626S-200</b>	Slim surface mount, 2 x 6, 2 LED, outdoor/indoor, bright aluminium



### Waterproof Exit Switches also available

Please contact the Sales Office for details and order codes.

**PLEASE SEE OUR ACCESS CONTROL CATALOGUE FOR OUR FULL RANGE**

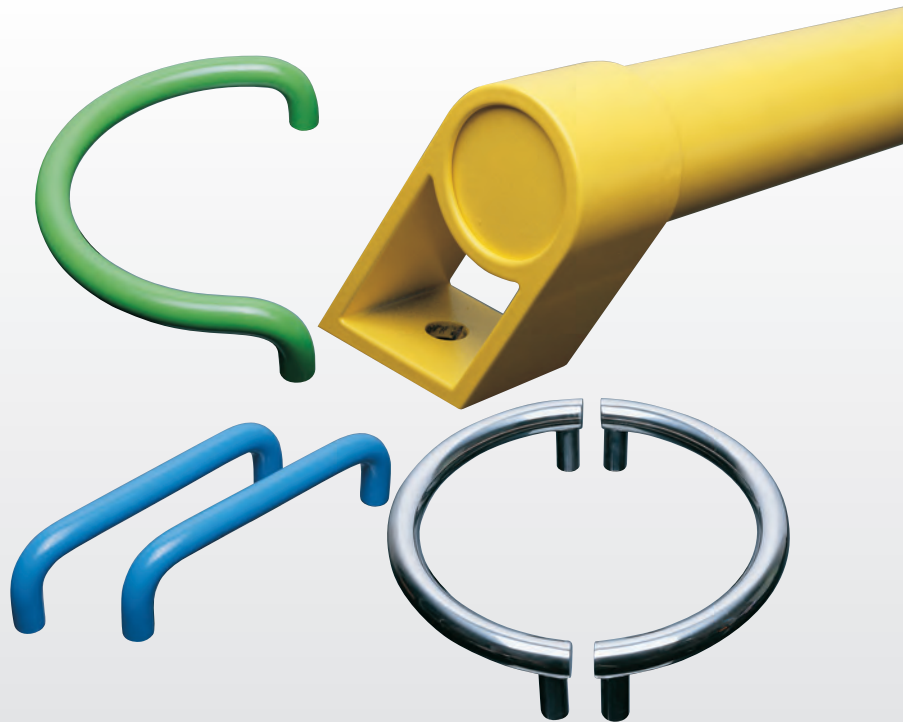


# other products

## Door Handles

Alpro door handles are bold and modern in appearance and practical in everyday use.

- Aluminium, timber and glass door applications
- Made from stainless steel and aluminium with powder and nylon coated versions to RAL colours
- Wide range of styles and finishes
- Many sizes available from stock or within a few days



## Access Control

Alpro also offer a comprehensive range of high quality, high security access control products to suit even the most demanding of situations.

The range includes:

- Electric Strikes
- Solenoid Bolts
- Deadlocking Bolts
- Infrared Proximity Switches
- Compact Shearlocks
- Vortex Magnets
- Cabinet Locks
- Waterproof Keypads
- Waterproof Exit Switches
- Interlock Controllers
- Power Supply Units



# Our difference...



We are a family owned company founded in 1938 to supply quality mechanical components. Today we serve a broad band of industry with a wide range of quality products.

These are manufactured by companies of international repute who are each specialists in their own field.

We are approved to BS EN ISO 9001:2008.

## *We aim to provide the best in both products and service*

- Experienced informative staff give fast, effective and friendly service.
- Technical support nationwide.
- Competitive and cost effective solutions.
- CAD design facility.
- Large stocks - same day despatch - Kanban and JIT deliveries.
- Modern technology combined with people.
- Listen, communicate - no surprises!
- Think long term - everlasting customers.



# alpro<sup>®</sup>... *the team that cares*

## *Integrity • Expertise • Commitment*

**IEC Limited**, Harwell Road, Nuffield Estate, Poole, Dorset BH17 0BD Great Britain

Registered in England 1925537

12/2013



**T** 01202 676262  
**F** 01202 680101  
**E** info@alpro.co.uk  
**W** www.alpro.co.uk