

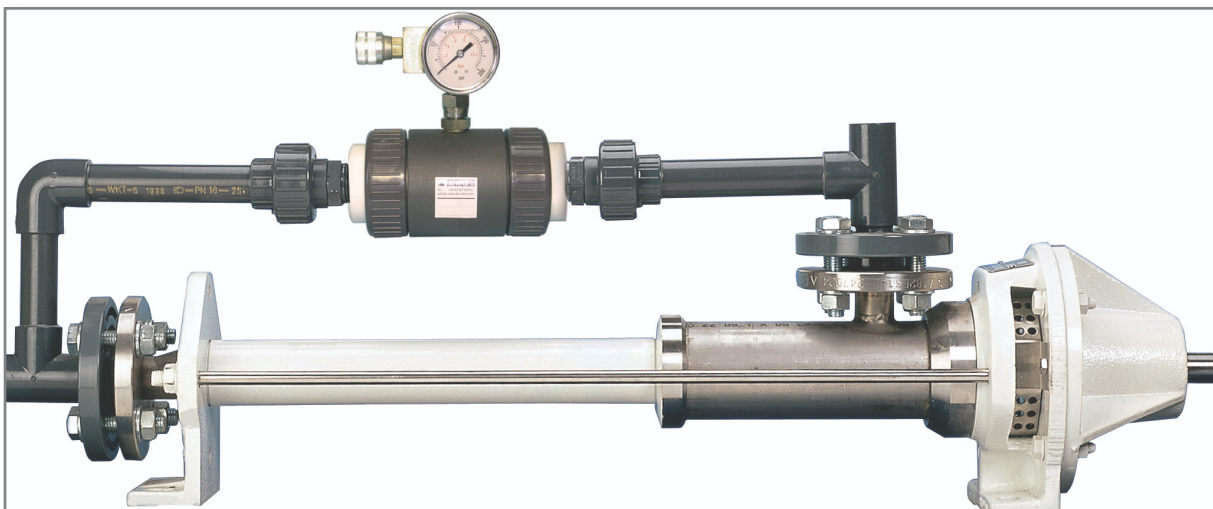
Pressure Relief Valve Type V/VF/VA & VM/VMF

- Flanged sizes range 40mm to 200mm
- Screwed sizes range 10mm to 50mm
- Clear and true bore
- No mechanical parts to get clogged
- No friction
- Easy and low cost maintenance
- 100% leak tight seal
- Quick / efficient deliveries from stock
- Best possible prices
- Full technical backup



Forget bursting disks or a spring valve, the AKO Pressure Relief Valve is the best and most cost effective solution to protect your pump or motor from over pressure and damage!

Protects pumps and motors from damage!



Pressure Relief Valve

How it works

▲ AKO PRESSURE RELIEF VALVES - DESCRIPTION

The AKO pressure relief valve is fitted onto a bypass line of a pump.

The valve is then charged with air and set closed at the pressure it is required to relieve at.

If the associated pump becomes clogged or blocked, causing the line pressure to exceed the pressure at which the valve is set closed at, it will open allowing the product to bypass the pump equalising the pressure until the blockage is cleared.

When the blockage is cleared the valve will reset itself in it's 'closed' position to the original set pressure.

▲ FEATURES

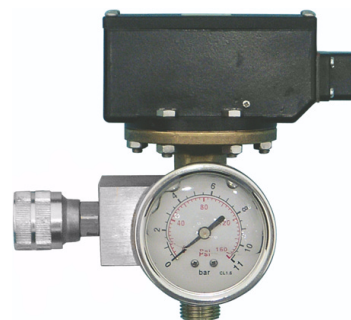
- Proved reliability in the industry for over 10 years with 1000 plus applications in the UK
- Flanged sizes range 40mm to 200mm (8 sizes available with other sizes on request) PN10/16, ANSI150, others available on request
- Screwed sizes range 10mm to 50mm (7 sizes available) Screwed BSP or 'Special' ends
- When the valve is set (using footpump) to the required pressure, the air supply is no longer needed - perfect for remote areas
- The valve resets itself when a blockage is cleared
- All valves fully tested with unique tracking number - No leaks!!!
- Single body casting meaning no chance of leaks
- No need to strip down the valve after it has relieved
- No need to reset after pump start ups or pressure surges

▲ PRESSURE SWITCH

The optional pressure switch has two switches inside a single IP65 housing. It is set so it will send a rising signal when the valve is relieving or a falling signal if there is a problem with the valve.

▲ RISING AND FALLING PRESSURE SIGNALS

- Local starter (stops pump until the problem is rectified)
- PLC Control (eg. to stop other valves on the system, until the problem is rectified)
- Alarm - to alert operator/maintenance (eg. telephone)



Technical details subject to change without notice

AKO UK Ltd.

12 Rutherford Way, Drayton Fields Industrial Estate, Daventry, NN11 8XW, Great Britain
Tel: 0 13 27 31 27 47 • Fax: 0 13 27 31 25 65 • E-mail: sales@ako-valves.com • Web: www.pinch-valves.com

Pressure Relief Valve Type V/VF/VA & VM/VMF

▲ VALVE BODY

Flanged Type:

40-200mm: Aluminium or stainless steel

Socket Type:

10-50mm: Aluminium, PVC or stainless steel.

Sleeves:

Natural rubber, Nitrile, white food quality (FDA approved), others available on request.

Accessories:

Foot Pump, Pressure Switch (2 switches inside a single housing, see front of data sheet).

Industry/Application Examples:

Pressure relief for pumps, water, liquid, sewage/sludge and food industry.

Technical:

For full technical information please see technical data sheet or contact the AKO sales team.

Ends Flanged Type:

BS4504 PN10/16 (ANSI flanges also available)

40-200mm: Aluminium with mild steel bushings

40-200mm: Aluminium with stainless steel bushings

Ends Socket Type:

Screwed BSP (others available on request)

10 - 50mm: POM, stainless steel or PVC.

Special Ends:

Please contact the AKO Sales Team for more information.

▲ FLANGED VERSION PN 10/16:

Diameter: 40mm-200mm



Clear and true bore



Technical details subject to change without notice

AKO UK Ltd.

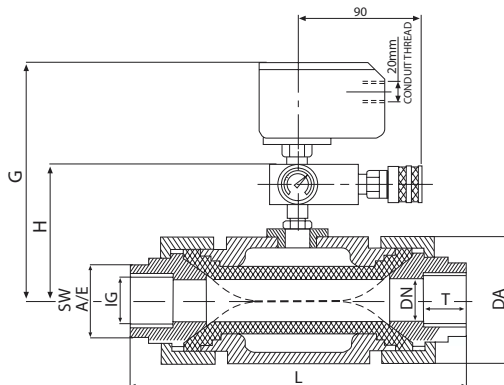
12 Rutherford Way, Drayton Fields Industrial Estate, Daventry, NN11 8XW, Great Britain

Tel: 0 13 27 31 27 47 • Fax: 0 13 27 31 25 65 • E-mail: sales@ako-valves.com • Web: www.pinch-valves.com

Pressure Relief Valve Type V/VF/VA & VM/VMF

▲ SOCKET TYPE DN 10 TO 50MM (WITH OR WITHOUT SWITCH)

Type VM

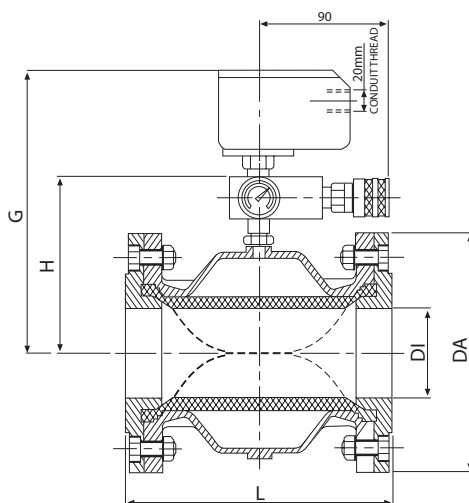


DN (mm)	IG (inch)	T (mm)	SW A/E (mm)	L (mm)	DA (mm)	H (mm)	G (mm)	Max. pressure
10	G $\frac{3}{8}$ "	16	24	122	4	133	216	6
15	G $\frac{1}{2}$ "	18	36	134	60	140	223	6
20	G $\frac{3}{4}$ "	19	36	140	60	140	223	6
25	G1"	20	46	145	75	147	230	6
32	G1 $\frac{1}{4}$ "	25	52	169	85	153	236	6
40	G1 $\frac{1}{2}$ "	26	65	200	101	161	244	6
50	G2"	24	80	213	120	170	253	6

Type VMF

DN (mm)	IG (inch)	T (mm)	SW A/E (mm)	L (mm)	DA (mm)	H (mm)	G (mm)	Max. pressure
32	G1 $\frac{1}{4}$ "	25	52	169	85	150	233	6
40	G1 $\frac{1}{2}$ "	26	65	200	100	160	243	6
50	G2"	24	80	213	120	170	253	6

▲ FLANGED TYPE DN 40 TO 200MM (WITH OR WITHOUT SWITCH)



Type V/VF/VA

DN (mm)	DI (mm)	DA (mm)	L (mm)	H (mm)	G (mm)	Max. pressure
40	40	150	155	173	243	6
50	50	165	183	170	240	6
65	60	185	183	187	257	6
80	80	200	228	200	270	6
100	100	220	282	217	287	6
125	120	250	350	240	310	6
150	145	286	420	266	335,5	6
200	190	340	555	311	381	4
250	250	390	610	368	438	2,5

Technical details subject to change without notice

AKO UK Ltd.

12 Rutherford Way, Drayton Fields Industrial Estate, Daventry, NN11 8XW, Great Britain

Tel: 0 13 27 31 27 47 • Fax: 0 13 27 31 25 65 • E-mail: sales@ako-valves.com • Web: www.pinch-valves.com