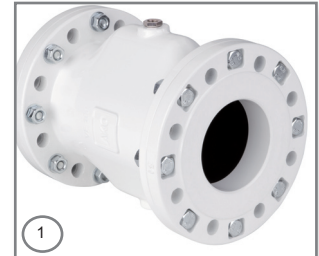


Air operated Pinch Valves with Flange Connection of VF series



Pinch Valves as shut-off Valves

Due to its simple structure, AKO's air operated pinch valve represents a particularly low cost/economic shut-off valve solution, because a separate drive is not required for actuating them.

In fact, only a 3/2-way solenoid valve or pilot valve is needed to control them.

Pinch Valves comply with PED (97/23/EC)

Materials:

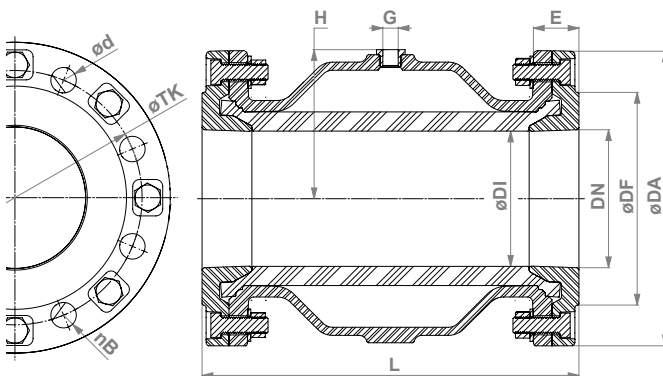
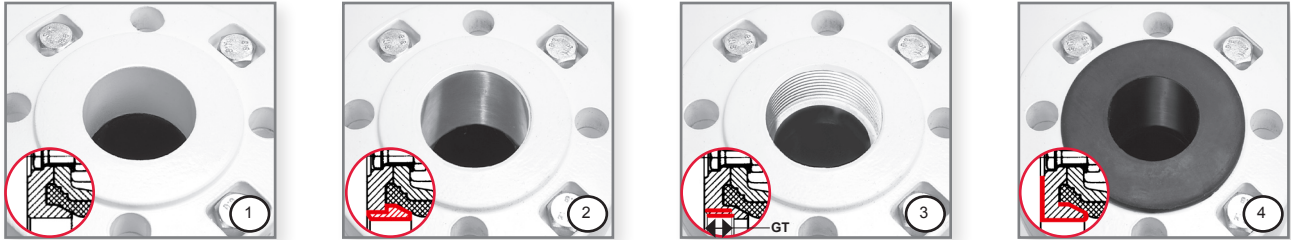
Body/Flange: Aluminum

Valve finish:

Powder coated 60-80µm white RAL9010

Air operated Pinch Valves

with Flange Connection of VF series



Flange variations:

- ① aluminum flange
- ② aluminum flange with steel/stainless steel bushing
- ③ aluminum flange with internal thread
- ④ aluminum flange with flange sleeve**

DN (mm)	ϕDI (mm)	ϕDA (mm)	ϕDF (mm)	nB***	ϕd (mm)	ϕTK (mm)	L (mm)	G (inch)	H (mm)	E (mm)	Weight (kg) Alu-flanges	Volume (l)* (ca. / approx)	PS max. (bar)	Internal thread	GT depth (mm)
40	40	150	88	4	18	110	155	G 1/4"	56	28	2,9	0,20	6	G 1½"	19
50	50	165	102	4	18	125	183	G 1/4"	65	30	3,7	0,30	6	G 2"	24
65	65	185	122	4	18	145	183	G 1/4"	81	28	4,3	0,45	6	G 2½"	22
80	80	200	138	8	18	160	228	G 1/4"	95	31	5,6	0,95	6	G 3"	22
100	100	220	158	8	18	180	280	G 1/4"	112	35	8,4	1,70	6	G 4"	20
125	118	250	184	8	18	210	348	G 1/4"	136	40	12,0	3,50	6	-	-
150	145	285	212	8	22	240	418	G 1/4"	160	43	17,0	7,00	6	-	-
200	190	340	268	8	22	295	558	G 3/8"	206	60	35,0	15,50	4	-	-
250	250	395	320	12	22	350	680	G 1/2"	266	67	56,0	30,00	3	-	-
300	300	444	370	12	22	400	820	G 1/2"	306	70	86,0	49,00	3	-	-

* Volume = Control volume with closed sleeve
 Flange connection pursuant to DIN PN 10. ANSI on request.
 ** Flange sleeve sealing increases the Dimension L (DN 40 - 100)
 *** Number of holes

Sleeves:

natural rubber (NR) anti-abrasive, NR food quality, NR high temp., EPDM, EPDM food black, EPDM food pale, NBR, NBR food black, NBR food pale, FPM/FKM, silicone, CR, CSM, IIR

Pinch Valve Accessories to be found on our data sheet "Pinch Valve Accessories".

Technical details subject to change without notice.

AKO UK Ltd.

12 Rutherford Way, Drayton Fields Industrial Estate, Daventry, NN11 8XW, Great Britain

Tel: 0 13 27 31 27 47 • Fax: 0 13 27 31 25 65 • E-mail: sales@ako-valves.com • Web: www.pinch-valves.com