

# Air operated Pinch Valves

## Type VMP-Compact



DN010 - DN015



DN020 - DN025



DN032 - DN050

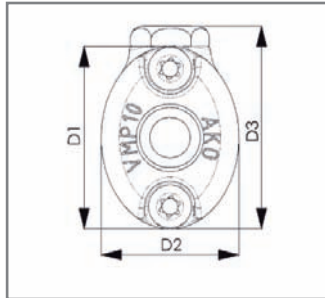
 **Reliable and cost-effective!**

**The compact valve solution for the shut off.  
 For example dust, granule, powder, suspension, sewage, air venting etc.**

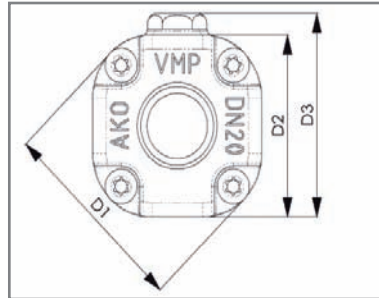
### Advantages:

- Extremely compact
- Weight reduced by 25%
- Suitable for food applications
- Explosion protected design
- Excellent weather resistance
- Complete free passage
- No plugging
- 100% tight shut off
- Easy maintenance and re-sleeving

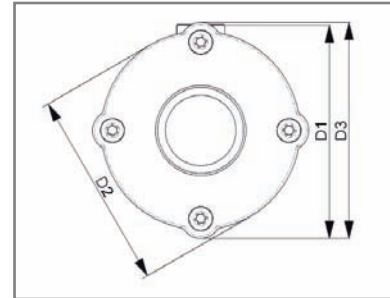
# Air operated Pinch Valves with Internal Thread Connection



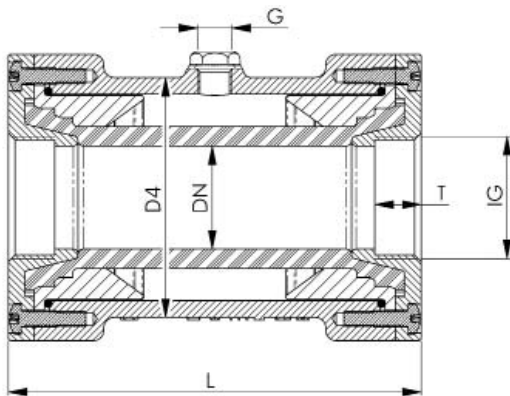
DN010 - DN015



DN020 - DN025



DN032 - DN050



### Industrial areas:

- pneumatic conveying systems
- pigments and granules
- ceramics / glass / plastic industry
- pharmaceutical / food industry
- extraction systems
- dosing systems
- filling and weighing systems
- air venting systems

DN (mm)	IG (inch)	T (mm)	L (mm)	D1 (mm)	D2 (mm)	D3 (mm)	D4 (mm)	G (inch)	PS max. (bar)	screws	volume (ml)* (approx.)	weight** (kg)
10	G $\frac{3}{8}$ "	12	80	45	34	50	45	1/8"	6,0	4	15	0,15
15	G $\frac{1}{2}$ "	14	95	55	46	60	55	1/8"	6,0	4	25	0,25
20	G $\frac{3}{4}$ "	17	103	63	56	62,5	56	1/8"	6,0	8	40	0,35
25	G1"	17	120	75	70	75	70	1/8"	6,0	8	80	0,50
32	G1 $\frac{1}{4}$ "	18	135	98	90	97	77	1/4"	4,5	8	150	0,65
40	G1 $\frac{1}{2}$ "	18	160	111	103	110,5	93	1/4"	4,5	8	300	1,00
50	G2"	24	170	130	120	129	113	1/4"	4,5	12	450	1,50

\* Volume = Control volume with closed sleeve

\*\* weight for VMP valves w/stainless steel socket: DN10=0,3 / DN15=0,4kg

### Standard adaption:

Internal pipe thread (DIN ISO 228) or NPT, others on request

### Body / socket ends\*\*\*

- POM natural white** FDA approved  
**POM black** excellent weather resistance  
**POM conductive** for areas at risk of explosion (EX)

\*\*\*Stainless steel (1.4404) socket end covers available in nominal diameter 10+15mm.

### Sleeves:

Natural rubber anti-abrasive, natural rubber food quality, EPDM, nitrile, CSM, butyl, CR (neoprene), others on request.

Technical details subject to change without notice.

### AKO UK Ltd

12 Rutherford Way, Drayton Fields Industrial Estate, Daventry, Northamptonshire, NN11 8XW  
 Tel: 01327 312 747 • Fax: 01327 312 565 • E-mail: sales@ako-valves.com • Web: www.pinch-valves.com