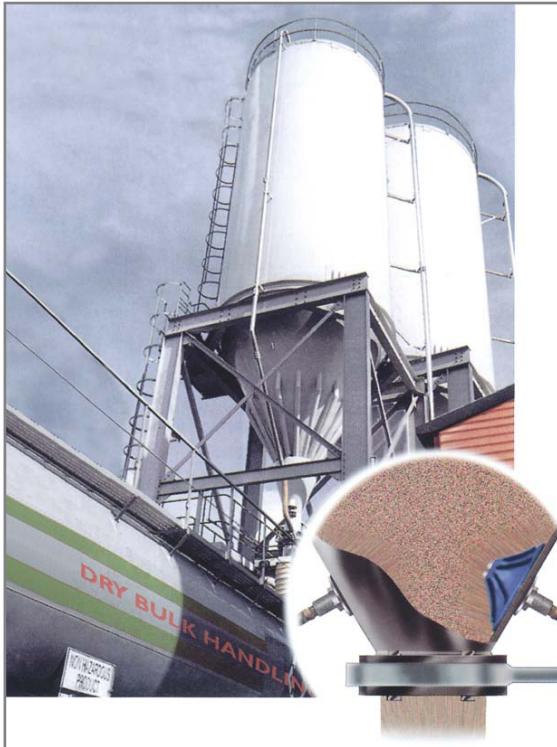


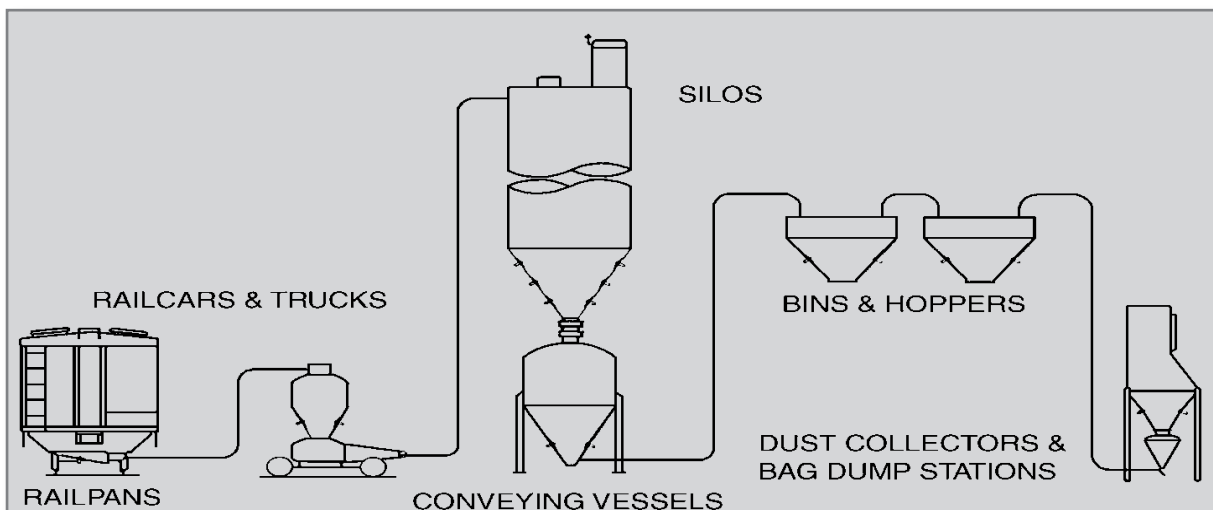
Aerator Pads (Airbrator)



- Economical
- Durable construction
- Easy installation
- Self-cleaning
- Suitable for abrasive materials
- Uses low or high pressure air
- Vibratory action promotes material flow
- Use with granular or powdered materials
- Stainless steel shaft
- Food grade
- Use in any type of silo or bin
- Rated up to 200°C



Keeps Dry Bulk Materials Moving



A small part makes a BIG difference
Free flowing hoppers and silo's



Bring a breath of fresh air into discharging bulk solids.

▲ The Aerator solves flow problems with many applications and materials

Do you have problems getting your bulk material to consistently flow from your silos and bins? Is your material sticky or have a high angle of repose? Have you tried aeration and found your material continues to hang up or bridge?

The AKO UK Aerator Pad will help you economically solve these and other common material flow problems.

▲ Aerators for Silos, Hoppers, Chutes, Road Tankers, Rail Tankers, Bins etc.

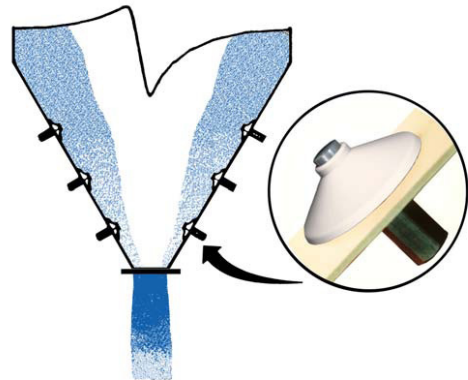
Aerator pads, also known as flow pads and aerators, are used to help the flow of discharging bulk products from silos, hoppers, chutes, bins and road tankers.

The cone shaped rubber aerator pads are screwed into the bottom of a discharge vessel, and when air is applied, the aerators vibrate to assist the flow of any trapped product.

The aim for aerator pads is to generate free flowing hoppers and silos, and to prevent any blockages or obstructions. A small part makes a large difference!

▲ Advantages of discharging bulk solids :

- No more compacting, rat holing, caking or bridging
- Simultaneous aeration
- Available for compressors and blowers – high volume and low volume
- Quicker unloading time resulting in increased profits
- Large aerator rubber design – more vibration
- Fits flat or curved hoppers
- Food and pharmaceutical quality
- Parts are interchangeable with various competitors
- Retrofit also available
- Simple and cost effective
- Quick and efficient deliveries from large stock



▲ Industry applications :

The aerator products can be used within many applications including

- | | | |
|------------------------|------------------|---------------------|
| • Abrasives | • Pharmaceutical | • Foundry sand |
| • Bulk powder handling | • Food | • Silos |
| • Quarrying | • Flour | • Hoppers |
| • Chemicals | • Sugar | • Chutes |
| • Agriculture | • Sand | • Road Tankers etc. |

Technical details subject to change without notice

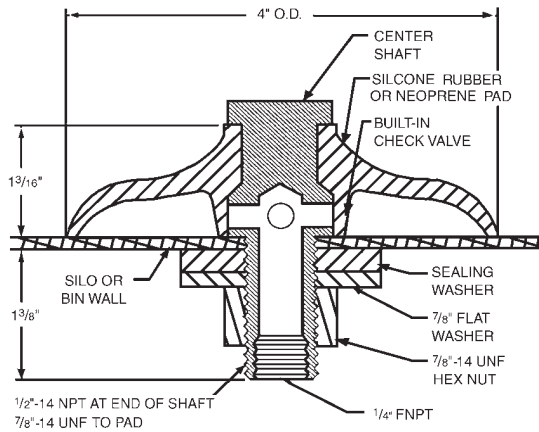
AKO UK Ltd

12 Rutherford Way, Drayton Fields Industrial Estate, Daventry, NN11 8XW, Great Britain

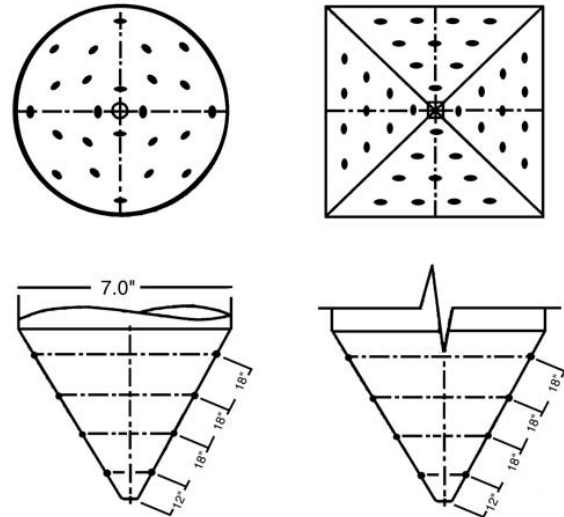
Tel: 0 13 27 31 27 47 • Fax: 0 13 27 31 25 65 • E-mail: sales@ako-valves.com • Web: www.pinch-valves.com

AKO Aerator Pads

▲ AERATOR SPECIFICATIONS

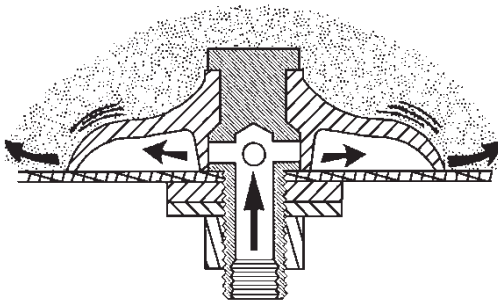


▲ TYPICAL INSTALLATION LAYOUT



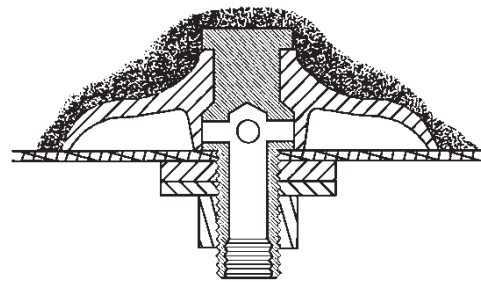
▲ AIR ON:

Air is introduced in the silo or bin through the Aerator Pad. As the air discharges in the material it provides an aeration effect to fluidize the material. The positive air pressure keeps material from getting under the boot. The air flowing under the boot causes it to vibrate. The vibration of the boot helps move material that has the tendency to hang up or bridge.



▲ AIR OFF:

When the air is removed from the boot, the pressure of the material and the design of the boot forces the boot against the side of the bin. This prevents material from getting under the boot and into the air supply line.



Technical details subject to change without notice

AKO UK Ltd.

12 Rutherford Way, Drayton Fields Industrial Estate, Daventry, NN11 8XW, Great Britain

Tel: 0 13 27 31 27 47 • Fax: 0 13 27 31 25 65 • E-mail: sales@ako-valves.com • Web: www.pinch-valves.com

AKO Aerator Pads

AIR CONSUMPTION

Aerator Pads are operated by pulsing air on and off. The CFM required is calculated by multiplying the cycle time per minute by the air flow at the supply times the number of Pads.

For example, if using 4 Airbrator Pads with an on-time of 2 seconds and an off-time of 10 seconds, and a supply pressure of 20 PSIG, the CFM is calculated as follows:

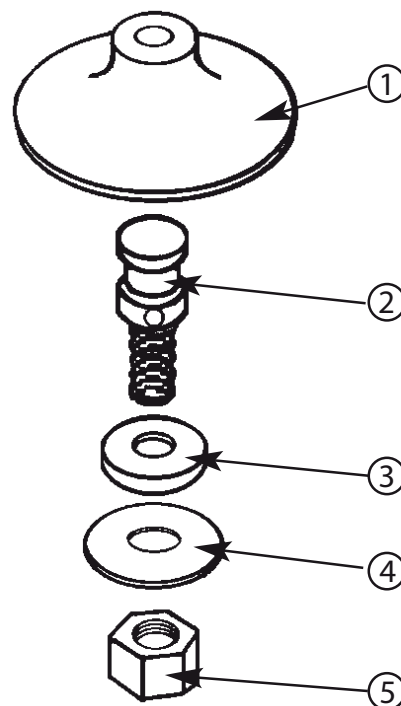
60 seconds per minute/12 seconds total cycle time = 5 cycles per minute x .53 (see chart at 20 PSIG) x 4 pads = 10.60 CFM. The actual on/off time is dependent on the application.

Continuous		Cubic feet per aerator Pulse time in seconds		
PSIG	CFM	1	2	3
60	55	0.93	1.83	2.75
50	40	0.67	1.33	2.00
40	30	0.50	1.00	1.50
30	20	0.33	0.67	1.00
20	16	0.27	0.53	0.80
15	13	0.22	0.43	0.65
10	10	0.17	0.33	0.50
5	5	0.08	0.17	0.25

PARTS DESCRIPTION FOR WHITE FOOD QUALITY AERATOR PADS:



1. White Food Quality Silicon rated at 200°C
2. 303 SS Stud
3. White Sealing Washer
4. 7/8" Flat Washer
5. 7/8"-14 UNF Hex Nut



Technical details subject to change without notice

AKO UK Ltd.

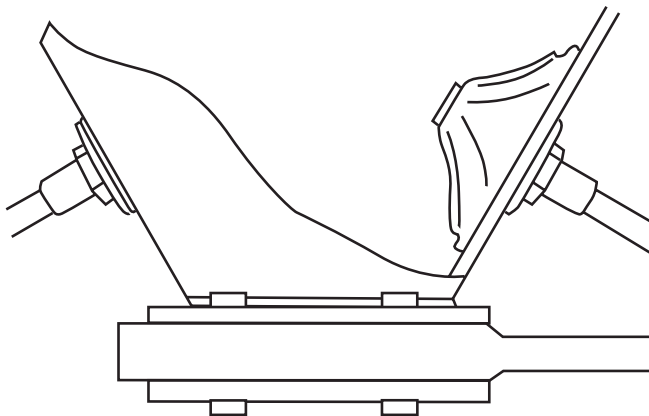
12 Rutherford Way, Drayton Fields Industrial Estate, Daventry, NN11 8XW, Great Britain

Tel: 0 13 27 31 27 47 • Fax: 0 13 27 31 25 65 • E-mail: sales@ako-valves.com • Web: www.pinch-valves.com

AKO Aerator Pads

▲ Technical information for General Purpose Aerators

Typical installation:



Housing:

Carbon Steel,
Stainless Steel,
Aluminium.

Rubber Pads:

Silicon Blue,
Silicon White Food Quality
(FDA approved).

Temperatures:

Up to 200°C

Type 710

Low volume (10-40 cfm)
High pressure (20-30 psi)

Fitting

0.5 in NPT male or
0.25 in NPT female

Air Line

12mm o/d tube

Diameter

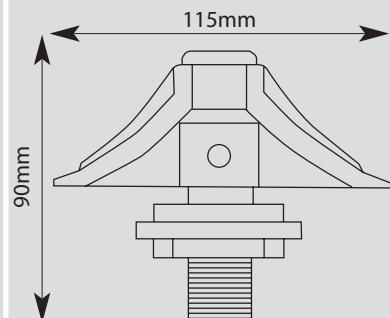
22mm hole diameter

Housing

Carbon Steel

Rubber Pads

Silicon Blue



Other sizes available on request.

Technical details subject to change without notice

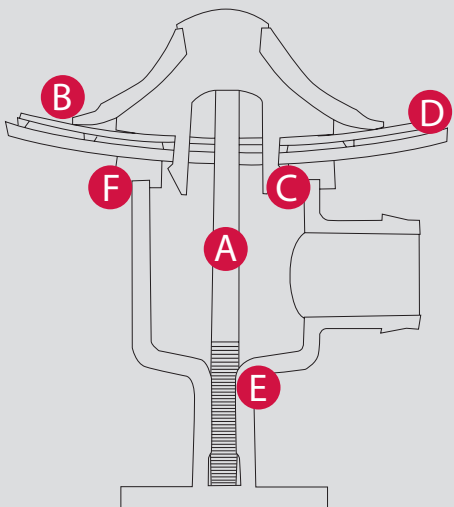
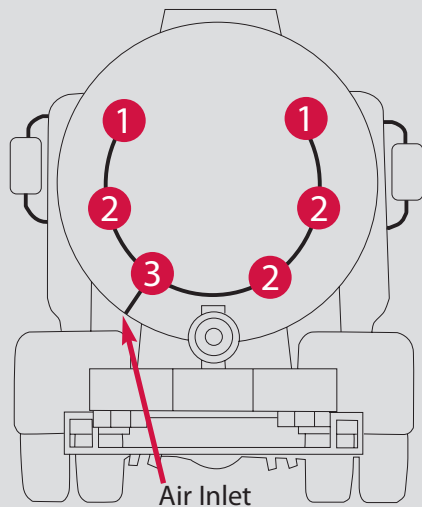
AKO UK Ltd.

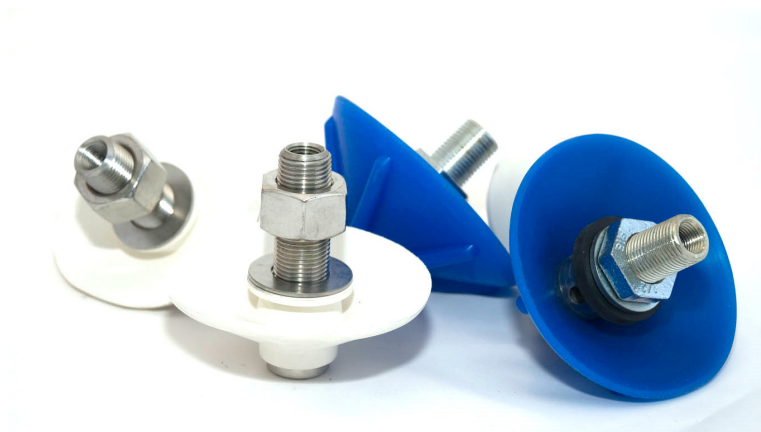
12 Rutherford Way, Drayton Fields Industrial Estate, Daventry, NN11 8XW, Great Britain

Tel: 0 13 27 31 27 47 • Fax: 0 13 27 31 25 65 • E-mail: sales@ako-valves.com • Web: www.pinch-valves.com

AKO Aerator Pads

AKO Aerators - Manifold Type

Key :	Manifold connectors:
<ul style="list-style-type: none"> A. Stem B. O-ring seal C. Snap retention legs D. Stainless steel wear plates E. Manifold port housing F. Positive sealing gasket 	<ul style="list-style-type: none"> 1. Single-way 2. 2-way 3. 3-way
	



Technical details subject to change without notice

AKO UK Ltd.

12 Rutherford Way, Drayton Fields Industrial Estate, Daventry, NN11 8XW, Great Britain
 Tel: 0 13 27 31 27 47 • Fax: 0 13 27 31 25 65 • E-mail: sales@ako-valves.com • Web: www.pinch-valves.com