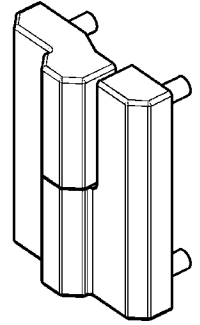
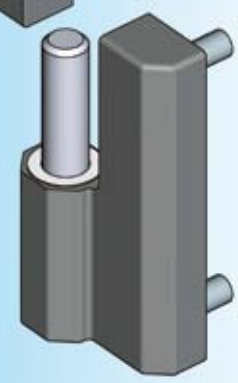
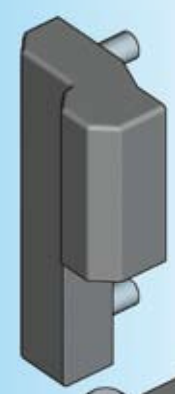
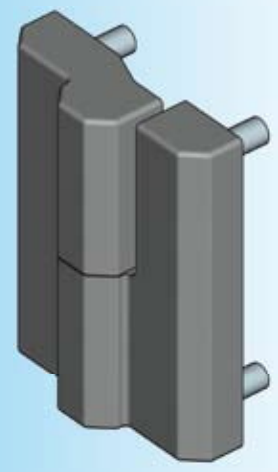
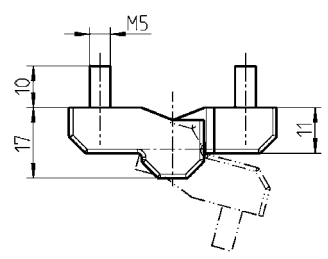
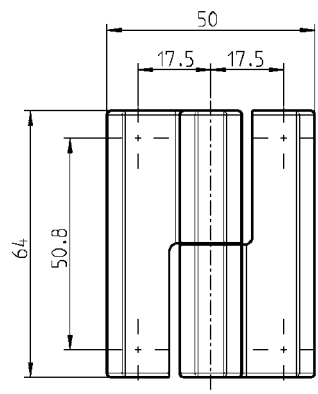


160° screw-on hinge PROGRAM 1056

Beschlagteile



Right-hand version shown
Left-hand version is a mirror-image



Screw-on hinge zinc die black powder coated or chrome plated; washer Teflon white; hinge pin m.s. zinc plated

	black powder coated	chrome plated
LH version	1056-U62	1056-U64
RH version	1056-U63	1056-U65