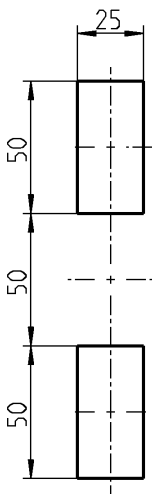


Swinghandle with variable use of locking

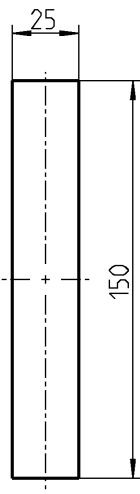
PROGRAM 1325

Version A

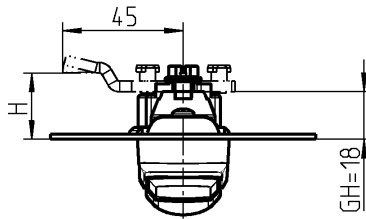
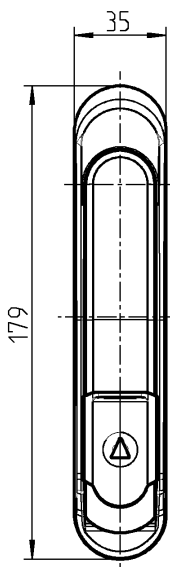
Version B



Cut out

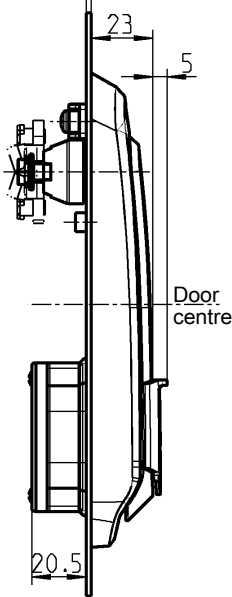


Cut out



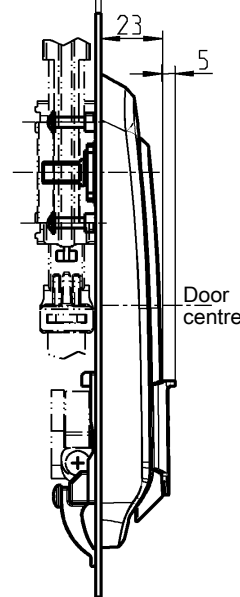
G_H=18

T_s = 0.8 - 2



Swing handle with cap adapter for cam

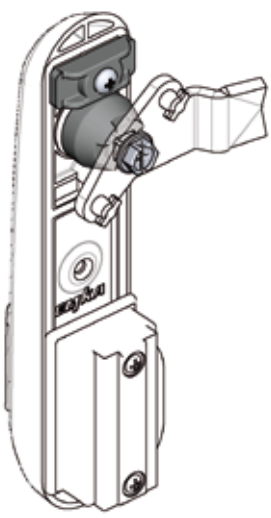
T_s = 0.8 - 2



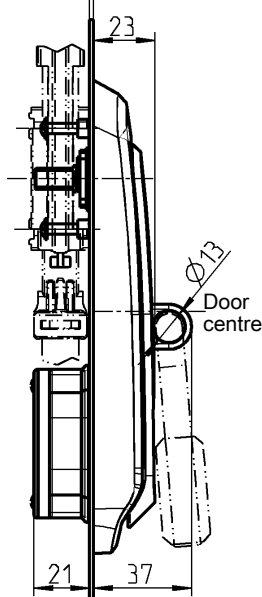
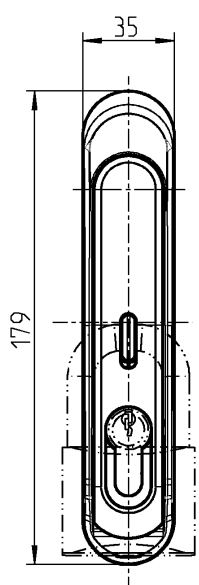
Swing handle with hook for rod control

Examples of combinations

Adapter for cam 1325-U101, order separately



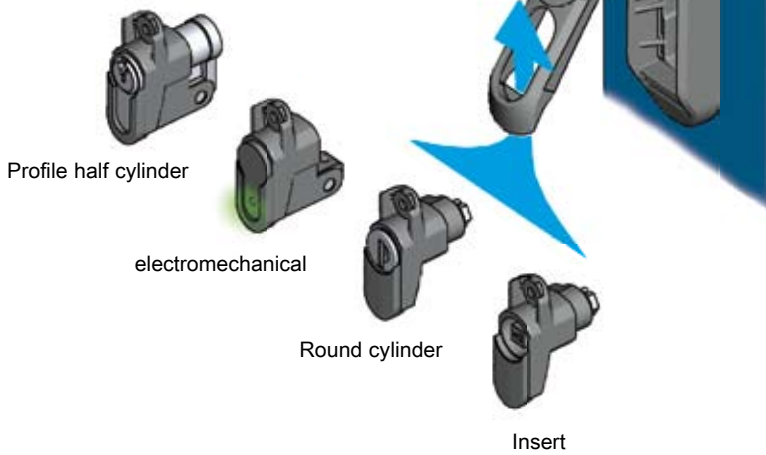
T_s = 0.8 - 2



Swing handle with cap and for padlock and for rod control

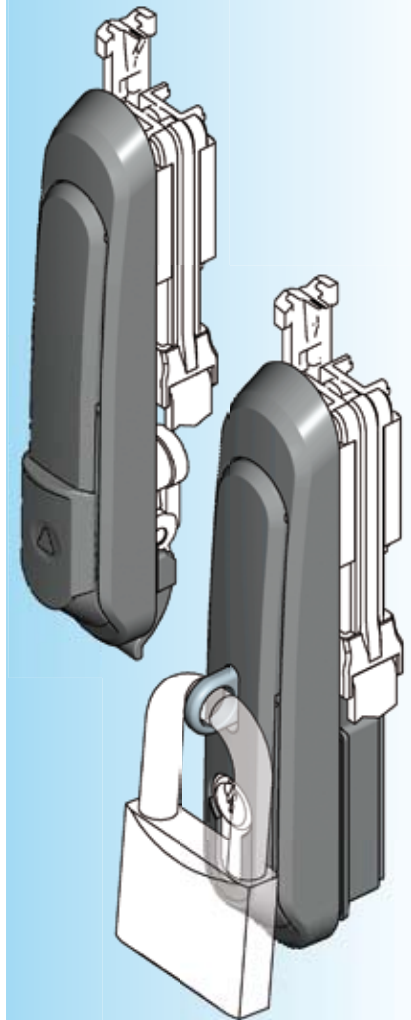


Unit for different locking sets



Product benefits

- flat housing (23 mm + 5 mm dust protection slider)
- IP 65 when fixed with cap, IP 40 when fixed with hook
- for standard cutout
- pre-assembled swinghandle and escutcheon
- locking systems can be exchanged easily
- spring-mounted handle
- Plastic parts protruding into the cabinet are of low flammability (PA 6 GF 30 V0)
- patented



Swing handle for rod control
 Handle and escutcheon polyamide GF black;
 cylinder cover polyamide GF black (not for swing handle for padlock);
 shaft zinc die zinc plated; circlip m.s. zinc plated;
 hook or cap polyamide GF black; padlock stud AISI 316;
 fixing material m.s. zinc plated; with spring and seal

	without locking set ⁽¹⁾	with locking set for profile half cylinder 40 mm (A = 30 mm) ⁽³⁾
⁽¹⁾ (please order locking set separately)		
⁽²⁾ (with cut out version A)		
⁽³⁾ (In case of profile half cylinder the locking cam has to be at 90°)		
Swing handle with hook; IP 40	1325-U1	1325-U1-01
Swing handle with cap; IP 65 ⁽²⁾	1325-U2	1325-U2-01
Swing handle with hook and for padlock; IP 40	1325-U3	1325-U3-01
Swing handle with cap and for padlock; IP 65 ⁽²⁾	1325-U4	1325-U4-01

Adapter for cam PBT GF V0 black; bridge bar polyamide GF V0 black;
 fixing material m.s. zinc plated

1325-U101

Multicolour print possible

Swing handle without cylinder cover on request

Further parts see page

- Profile half cylinder 3XB-120
(Blind plug without spring loaded ball not usable)
- Locking set 3XC-120
- Cams (for adapter) 3YC-120
- Rod control 3YA-110
3YA-120
3YA-140
- Cam for rod control (3-point latch system) 3YA-840