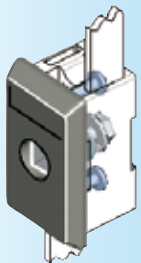


Escutcheon with insert PROGRAM 1125

Beschlagteile



* Logo recess: 27 x 8 x 0,5
Multicolour print possible

** in Polyamide on request

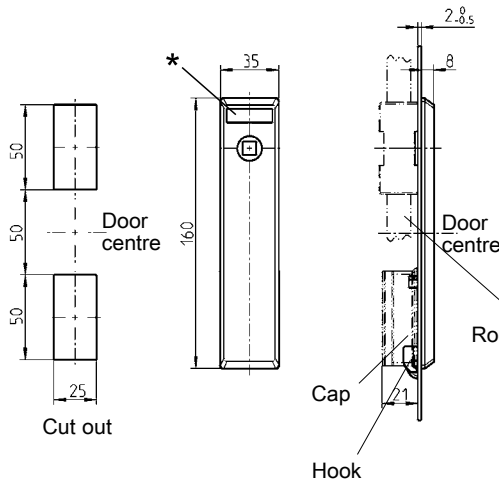
Further parts see page

- Key 12B-120
- Rod control for long version 3YA-110
- 3YA-120
- 3YA-140
- Short version 3YA-115
- 3YA-160
- Bearing bush 3YB-120

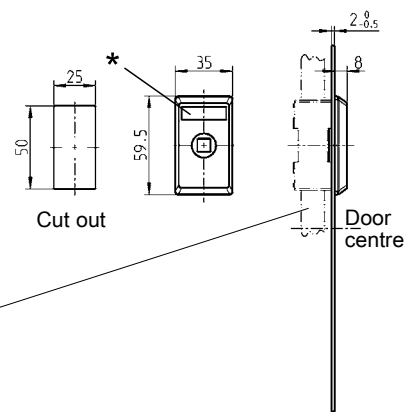
Escutcheon long



STAINLESS STEEL



Escutcheon short



Escutcheon long material on choice, screws m.s. zinc plated or stainless steel, with seal

	hook IP 40	clip-in cap IP 40	screw-on cap IP 65	Escutcheon short material on choice, screws m.s. zinc plated or stainless steel with seal IP 65
polyamide black				
for square, triangular Daimler-Benz, slot	1121-U19-6	1121-U19-N6	1121-U133-6	1121-U22-6
for double bit	1121-U20-6	1121-U20-N6	1121-U134-6	1121-U23-6
for railroad, square 9	1121-U19A-6	-	1121-U135-6	1121-U22A-6
for FIAT	1121-U63-6	1121-U63-N6	1121-U132-6	1121-U62-6
AISI 316				
for square, triangular Daimler-Benz, slot	-	-	1121-U133-6PH	1121-U22-6PH

Insert material on choice, fixing material m.s. zinc plated or stainless steel

	zinc die chrome pl.	AISI 316
Square 6	1121-U11	on request
Square 7	1121-U12	1121-U12-PH
Square 8	1121-U13	on request
Triangular 6,5 CNOMO	1121-U169	on request
Triangular 7	1121-U14	1121-U14-PH
Triangular 8	1121-U15	on request
Double bit 3**	1121-U16	1121-U16-PH
Double bit 5**	1121-U17	1121-U17-PH
Square female 8	1121-U167	on request
Daimler Benz	1121-U18	on request
Slot 2 x 4	1121-U123	on request
FIAT	1121-U24	on request
Railroad square 9	1121-U72	on request

Accessories



Transport safety device polyamide GF black for double bit insert