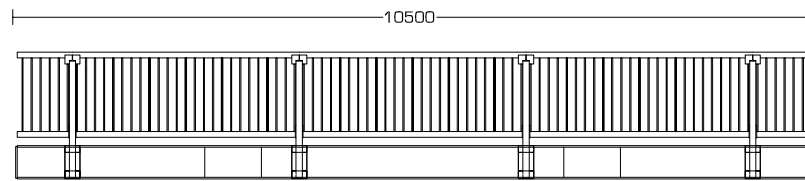


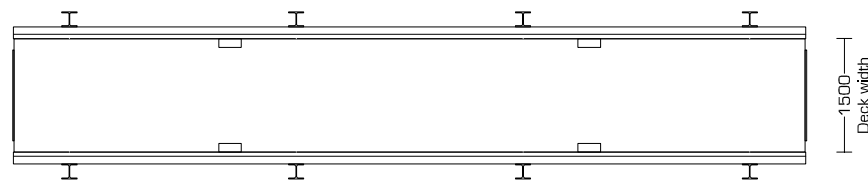
Janson Beam Bridges JSK 450 series



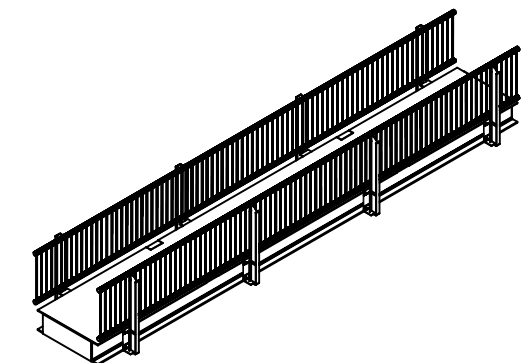
Side view JSK 450 series - 10,50m Free span [1-100]



Example

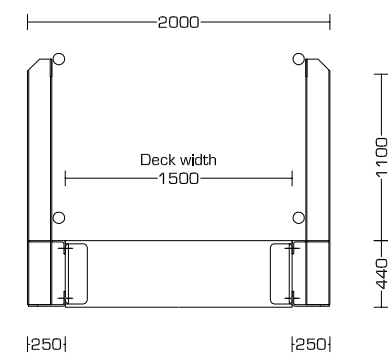


Top view JSK 450 series - 1,50m Deck width [1-100]




3D

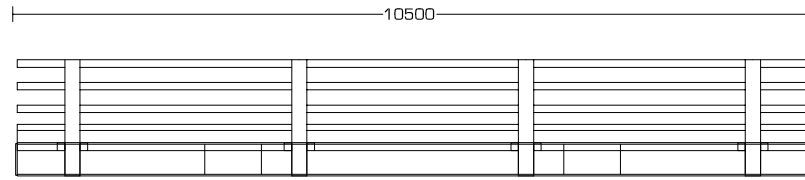
- Element length: 10.500 mm
- Deck width: 1.500 mm
- Construction height: 450 mm
- Dead load: 8,8 t
- Load class: EuroCode
- Deck surface: Epoxy resin embedded with aggregate



Cross view JSK 450 series - 450mm Construction height [1-50]

EXAMPLE DRAWING			
 JANSONBRIDGING <small>COME ACROSS</small>		www.jansonbridgghg.com	
JSK 450 series - 10,50m x 1,50m			
1-100	1-50	2011-09-15	sc

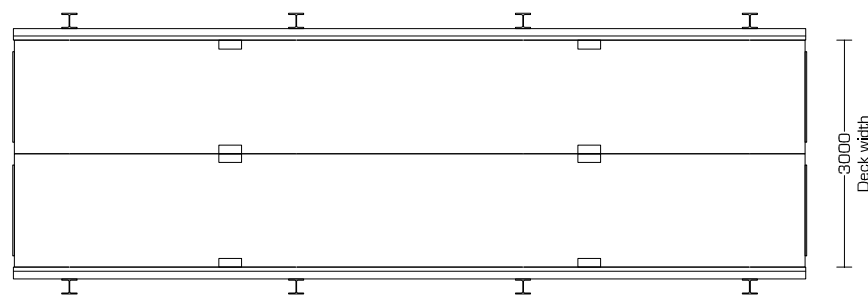
Janson Beam Bridges JSK 450 series



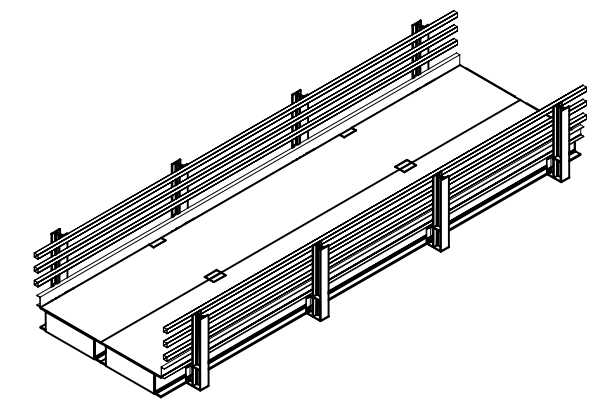
Side view **JSK 450 series - 10,50m** Free span [1-100]



Example

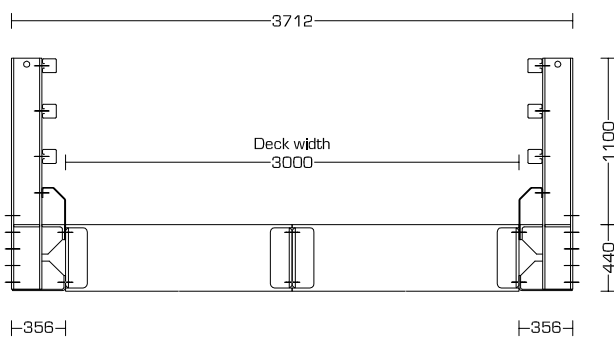


Top view **JSK 450 series - 3,00m** Deck width [1-100]




3D

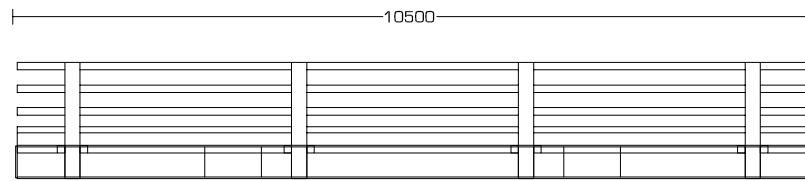
- Element length: 10.500 mm
- Deck width: 3.000 mm
- Construction height: 450 mm
- Dead load: 18,4 t
- Load class: EuroCode
- Deck surface: Epoxy resin embedded with aggregate



Cross view **JSK 450 series - 450mm** Construction height [1-50]

EXAMPLE DRAWING			
 JANSONBRIDGING <small>COME ACROSS</small>		www.jansonbridging.com	
JSK 450 series - 10,50m x 3,00m			
1-100	1-50	2011-09-15	sc

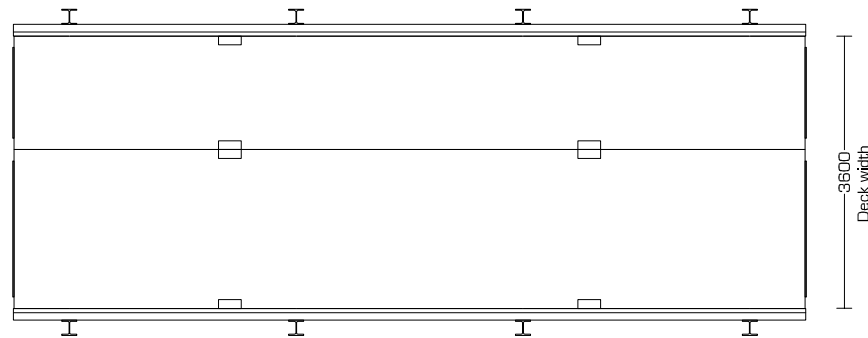
Janson Beam Bridges JSK 450 series



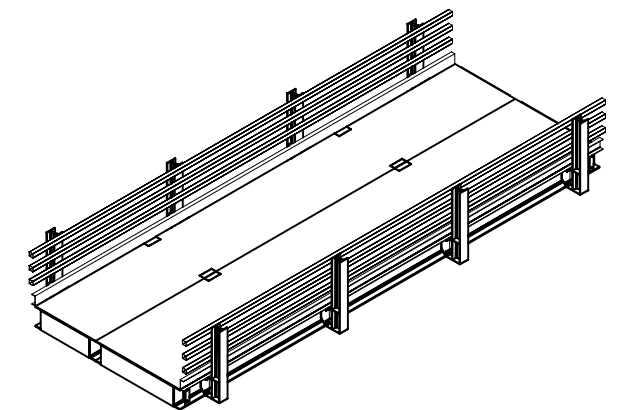
Side view **JSK 450 series - 10,50m** Free span [1-100]



Example

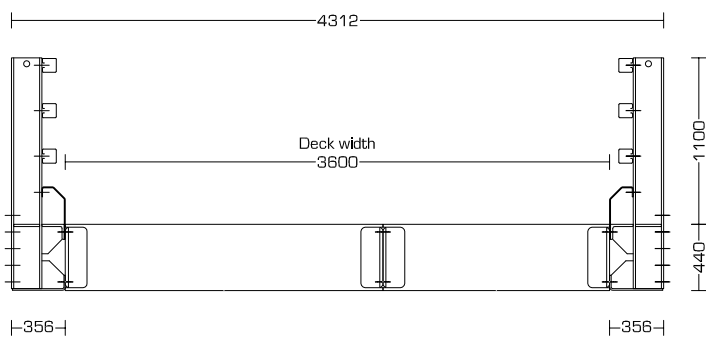


Top view **JSK 450 series - 3,60m** Deck width [1-100]




3D

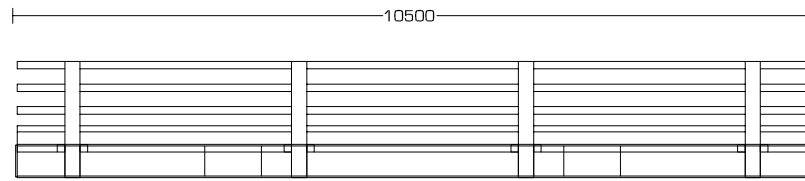
- Element length: 10.500 mm
- Deck width: 3.600 mm
- Construction height: 450 mm
- Dead load: 21,4 t
- Load class: EuroCode
- Deck surface: Epoxy resin embedded with aggregate



Cross view **JSK 450 series - 450mm** Construction height [1-50]

EXAMPLE DRAWING			
 JANSONBRIDGING <small>COME ACROSS</small>		www.jansonbridging.com	
JSK 450 series - 10,50m x 3,60m			
Code	1-100 1-50	Date	2011-09-15
Scale		Author	sc

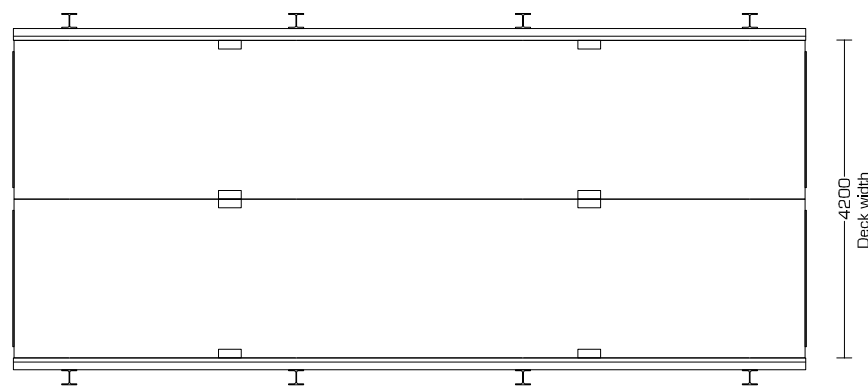
Janson Beam Bridges JSK 450 series



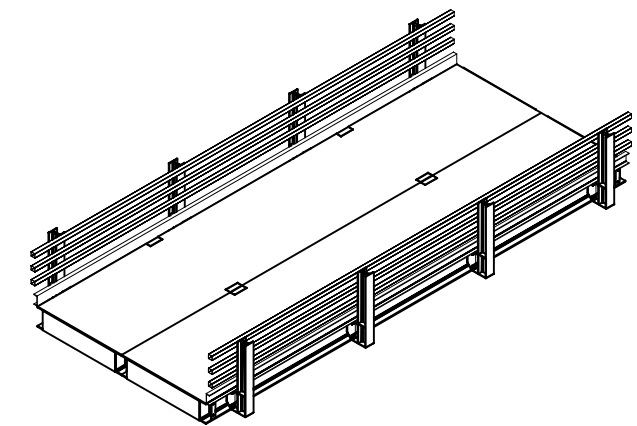
Side view **JSK 450 series - 10,50m** Free span [1-100]



Example

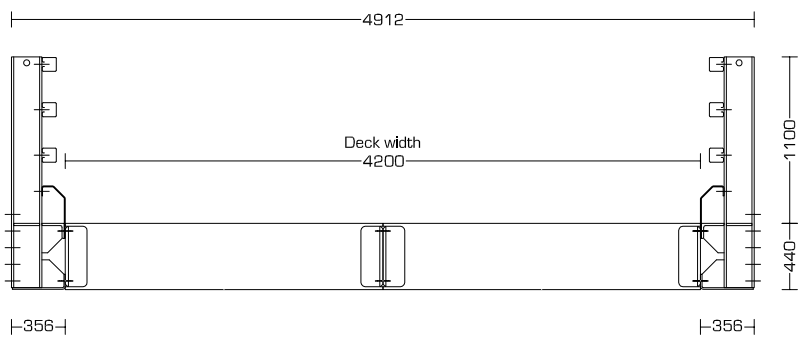


Top view **JSK 450 series - 4,20m** Deck width [1-100]




3D

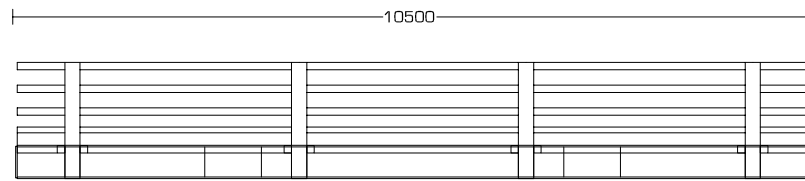
- Element length: 10.500 mm
- Deck width: 4.200 mm
- Construction height: 450 mm
- Dead load: 24,4 t
- Load class: EuroCode
- Deck surface: Epoxy resin embedded with aggregate



Cross view **JSK 450 series - Construction height 450mm** [1-50]

EXAMPLE DRAWING			
		JANSONBRIDGING <small>COME ACROSS</small>	
www.jansonbridging.com			
JSK 450 series - 10,50m x 4,20m			
1-100	1-50	2011-09-15	sc

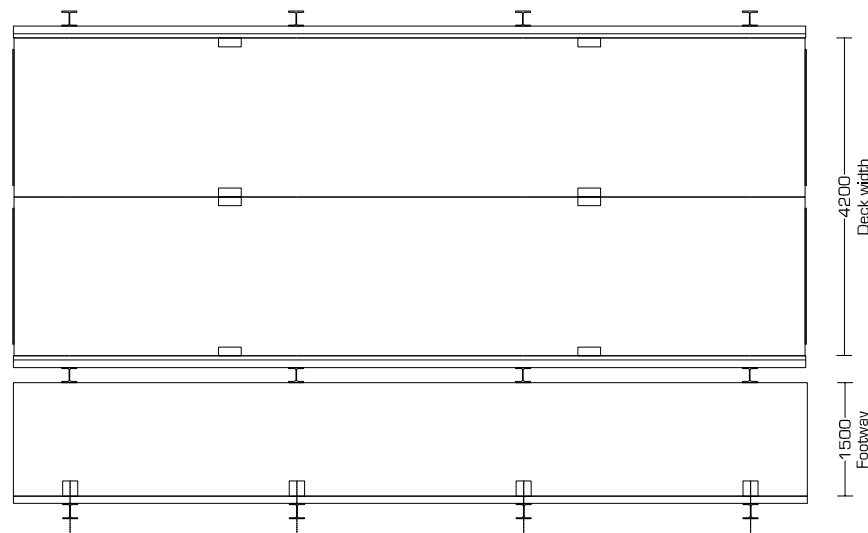
Janson Beam Bridges JSK 450 series



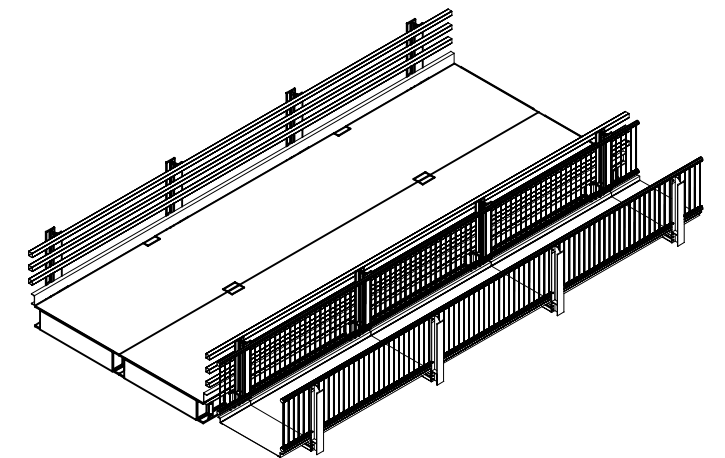
Side view JSK 450 series - 10,50m Free span [1-100]



Example

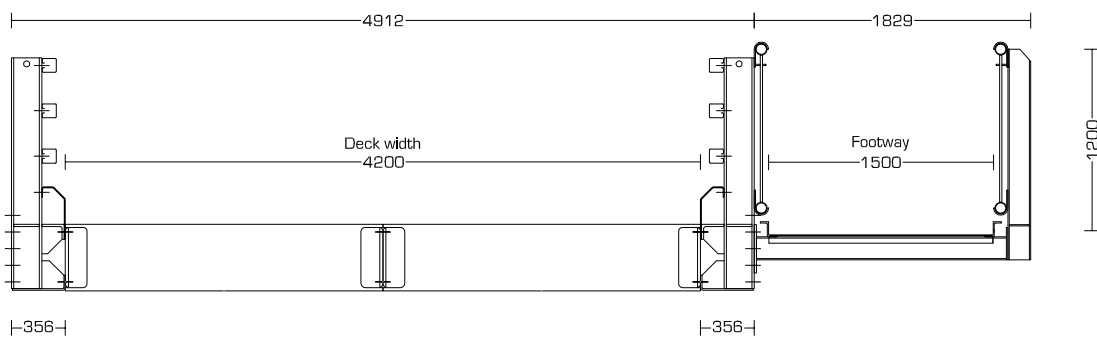


Top view JSK 450 series - 4,20m Deck width [1-100]




3D

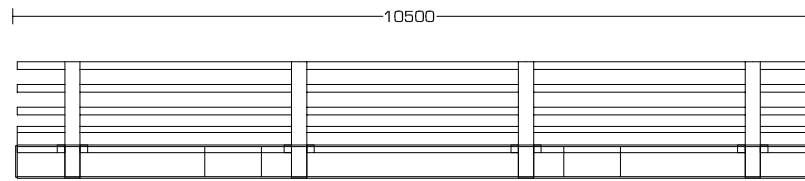
- Element length: 10.500 mm
- Deck width: 4.200 mm
- Construction height: 450 mm
- Dead load: 24,4 t
- Load class: EuroCode
- Deck surface: Epoxy resin embedded with aggregate



Cross view JSK 450 series - Construction height 450mm [1-50]

EXAMPLE DRAWING			
		JANSONBRIDGING <small>COME ACROSS</small>	
www.jansonbridging.com			
JSK 450 series - 10,50m x 4,20m +1x Footway 2,00m			
Scale	Formal	Date	Project
1-100 1-50		2011-09-15	sc

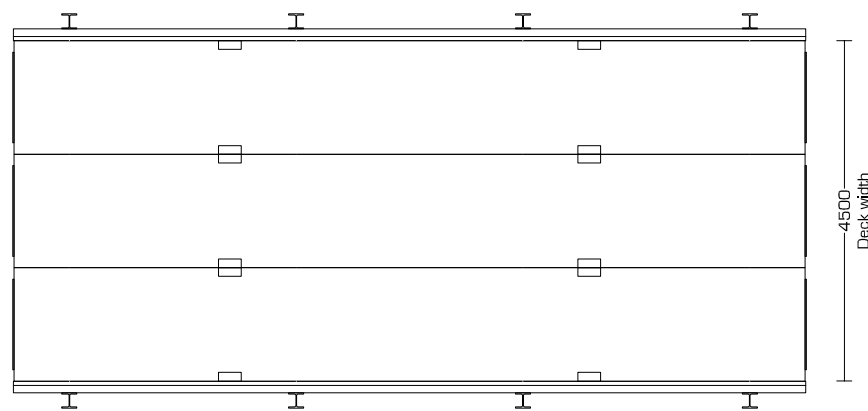
Janson Beam Bridges JSK 450 series



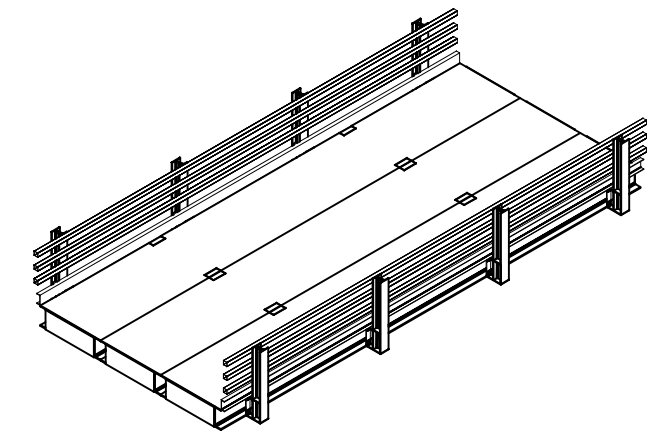
Side view **JSK 450 series - 10,50m** Free span [1-100]



Example

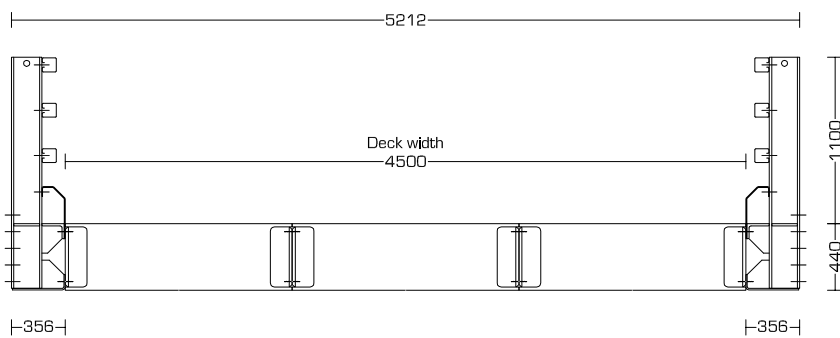


Top view **JSK 450 series - 4,50m** Deck width [1-100]




3D

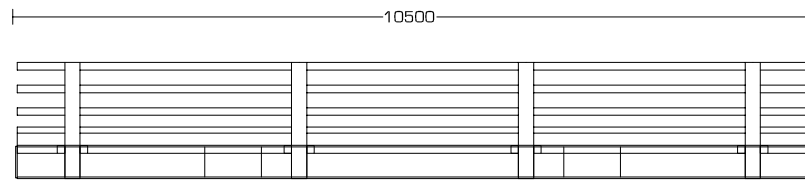
- Element length: 10,500 mm
- Deck width: 4,500 mm
- Construction height: 450 mm
- Dead load: 26,4 t
- Load class: EuroCode
- Deck surface: Epoxy resin embedded with aggregate



Cross view **JSK 450 series - Construction height 450mm** [1-50]

EXAMPLE DRAWING			
		JANSONBRIDGING <small>COME ACROSS</small>	
www.jansonbridging.com			
JSK 450 series - 10,50m x 4,50m			
Code	Formal	Date	Scale
1-100	1-50	2011-09-15	sc

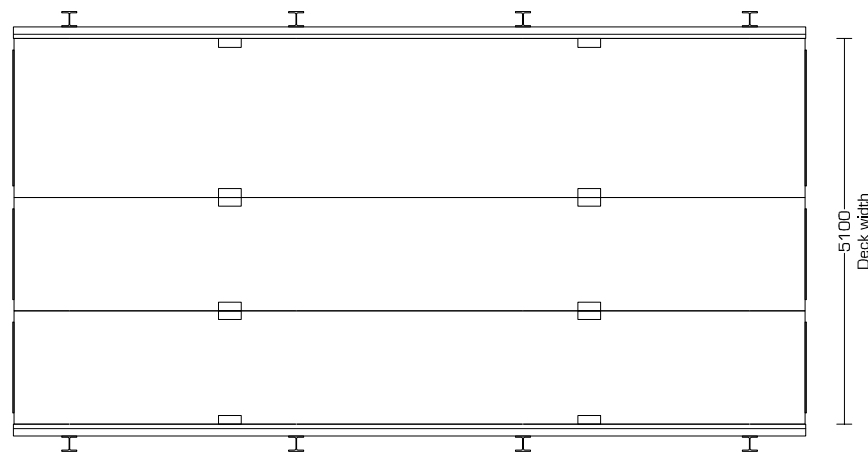
Janson Beam Bridges JSK 450 series



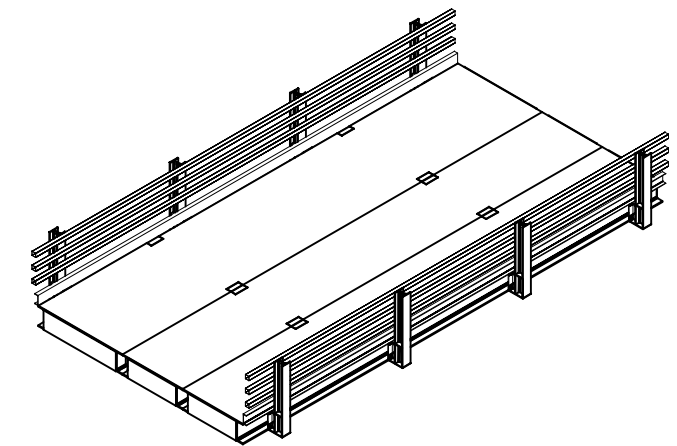
Side view JSK 450 series - 10,50m Free span [1-100]



Example

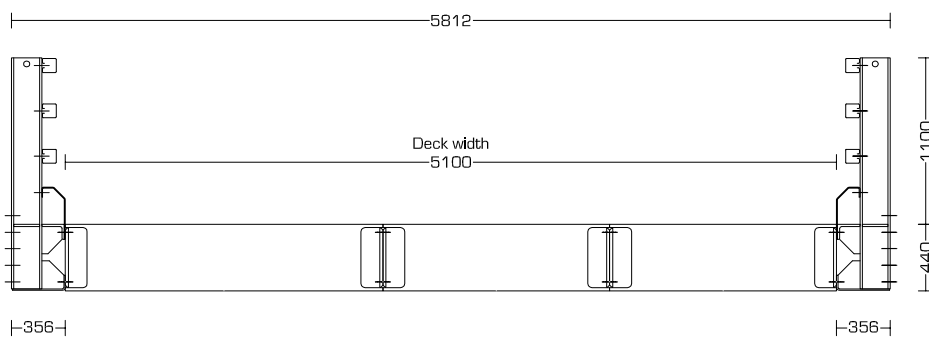


Top view JSK 450 series - 5,10m Deck width [1-100]




3D

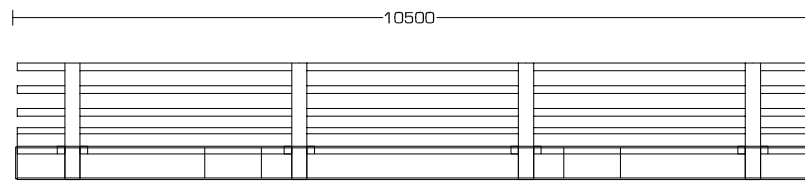
- Element length: 10.500 mm
- Deck width: 5.100 mm
- Construction height: 450 mm
- Dead load: 29,4 t
- Load class: EuroCode
- Deck surface: Epoxy resin embedded with aggregate



Cross view JSK 450 series - 450mm Construction height [1-50]

EXAMPLE DRAWING			
		JANSONBRIDGING <small>COME ACROSS</small>	
www.jansonbridging.com			
JSK 450 series - 10,50m x 5,10m			
1-100	1-50	2011-09-15	sc

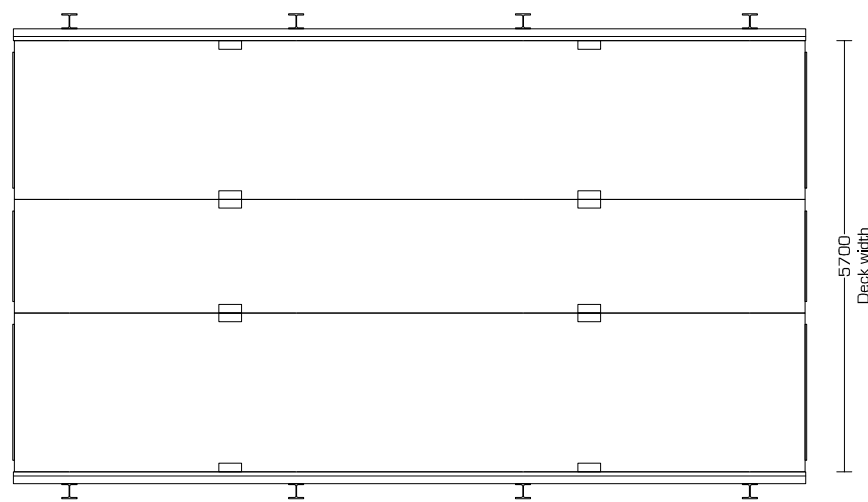
Janson Beam Bridges JSK 450 series



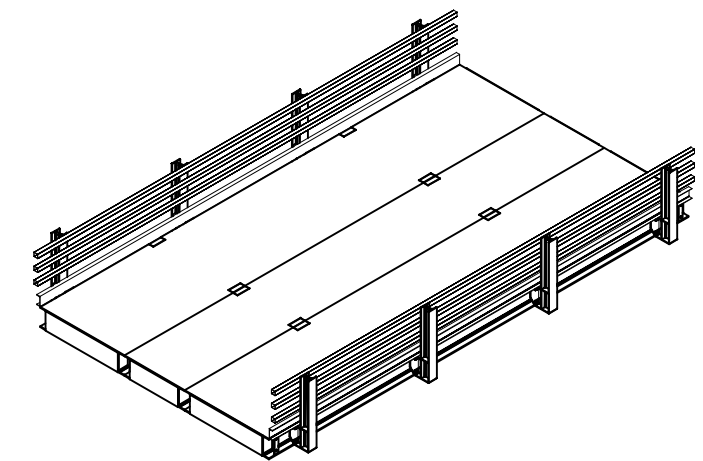
Side view JSK 450 series - 10,50m Free span [1-100]



Example

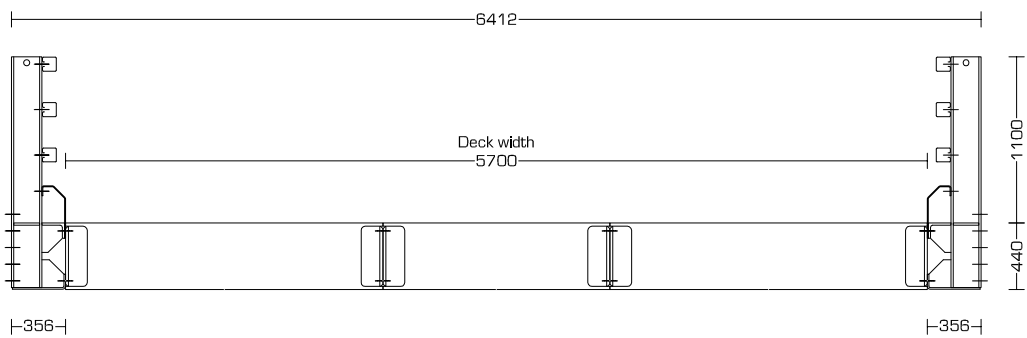


Top view JSK 450 series - 5,70m Deck width [1-100]




3D

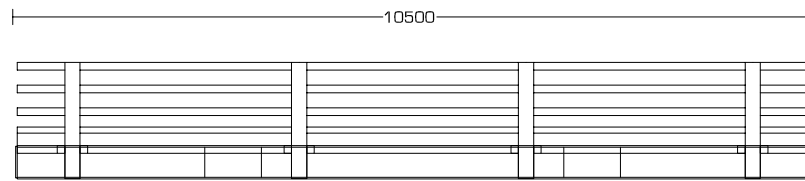
- Element length: 10.500 mm
- Deck width: 5.700 mm
- Construction height: 450 mm
- Dead load: 32,4 t
- Load class: EuroCode
- Deck surface: Epoxy resin embedded with aggregate



Cross view JSK 450 series - 450mm Construction height [1-50]

EXAMPLE DRAWING			
 JANSONBRIDGING <small>COME ACROSS</small>		www.jansonbridging.com	
JSK 450 series - 10,50m x 5,70m			
Scale	Date	Rev	Drawn
1-100 1-50		2011-09-15	sc

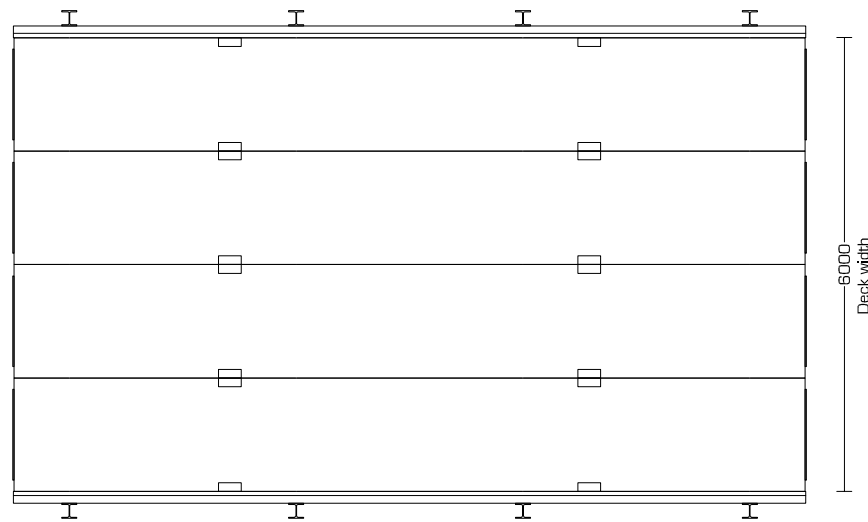
Janson Beam Bridges JSK 450 series



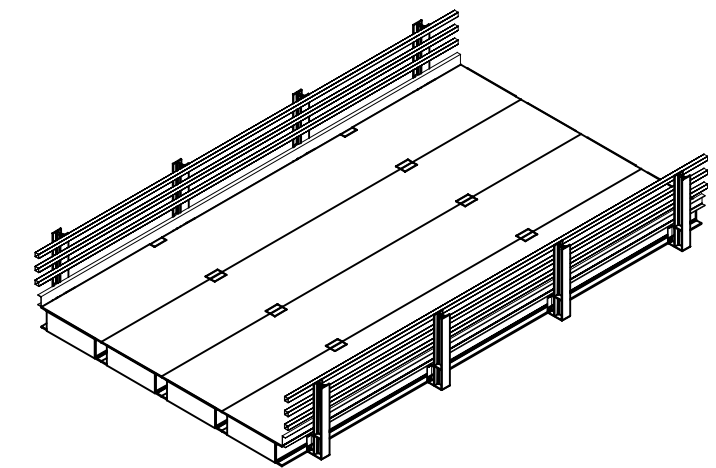
Side view **JSK 450 series - 10,50m** Free span [1-100]



Example

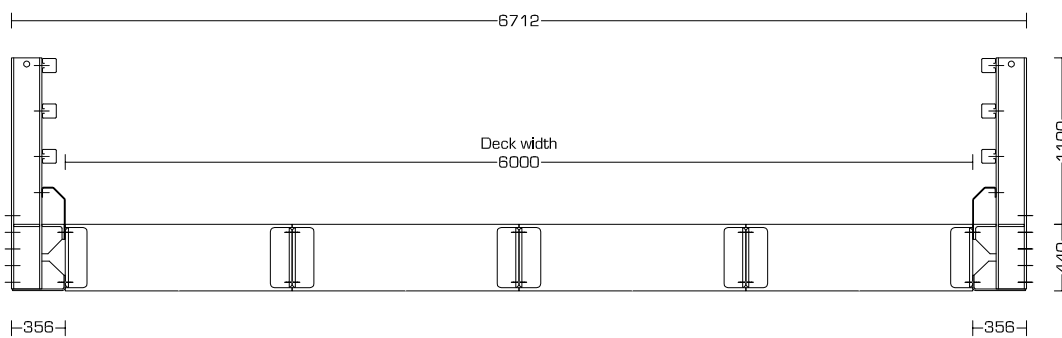


Top view **JSK 450 series - 6,00m** Deck width [1-100]




3D

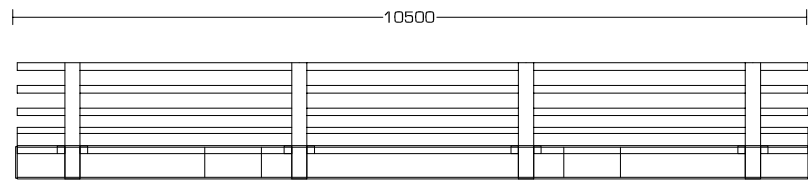
- Element length: 10.500 mm
- Deck width: 6.000 mm
- Construction height: 450 mm
- Dead load: 34,4 t
- Load class: EuroCode
- Deck surface: Epoxy resin embedded with aggregate



Cross view **JSK 450 series - Construction height 450mm** [1-50]

EXAMPLE DRAWING			
 JANSONBRIDGING <small>COME ACROSS</small>		www.jansonbridging.com	
JSK 450 series - 10,50m x 6,00m			
Scale	Form	Date	Author
1-100 1-50		2011-09-15	sc

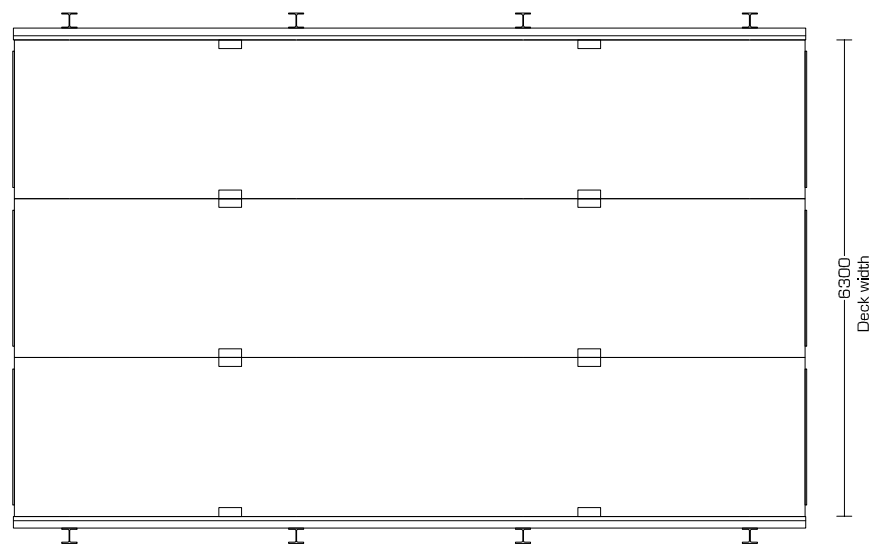
Janson Beam Bridges JSK 450 series



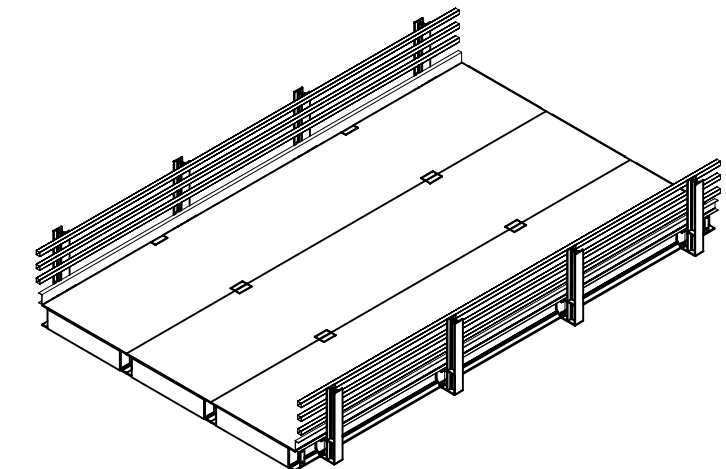
Side view **JSK 450 series - 10,50m** Free span [1-100]



Example

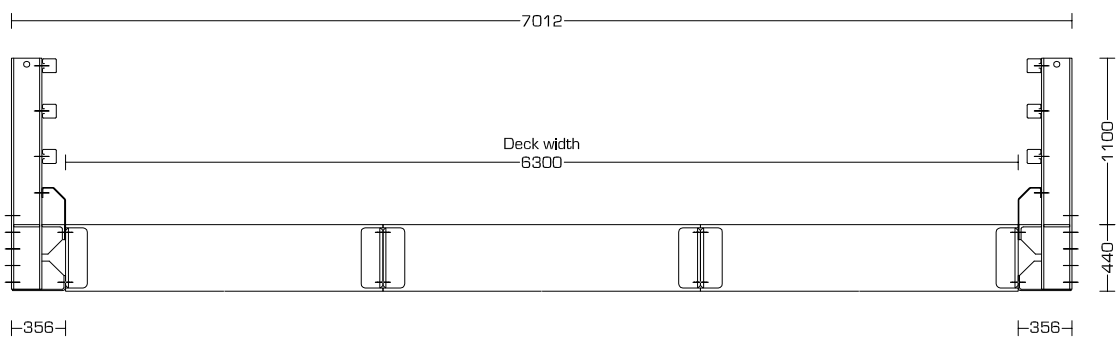


Top view **JSK 450 series - 6,30m** Deck width [1-100]




3D

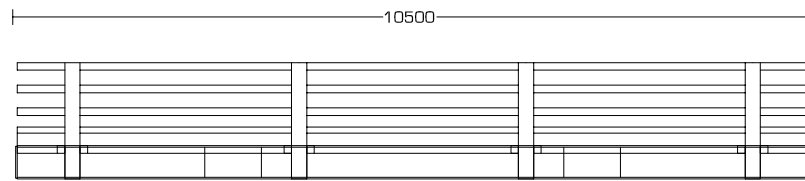
- Element length: 10.500 mm
- Deck width: 6.300 mm
- Construction height: 450 mm
- Dead load: 35,4 t
- Load class: EuroCode
- Deck surface: Epoxy resin embedded with aggregate



Cross view **JSK 450 series - Construction height 450mm** [1-50]

EXAMPLE DRAWING			
		JANSONBRIDGING <small>COME ACROSS</small>	
www.jansonbridging.com			
JSK 450 series - 10,50m x 6,30m			
Scale	1-100 1-50	Date	2011-09-15
Drawn		Checked	sc

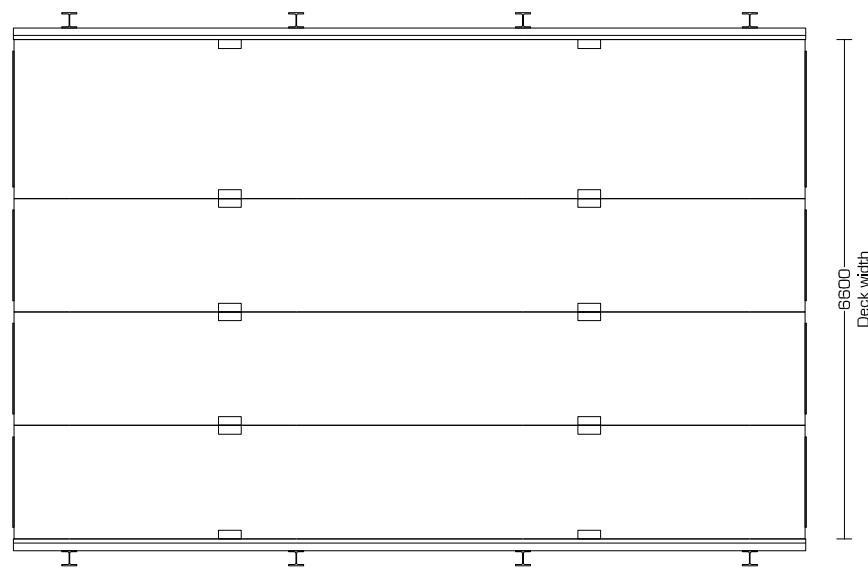
Janson Beam Bridges JSK 450 series



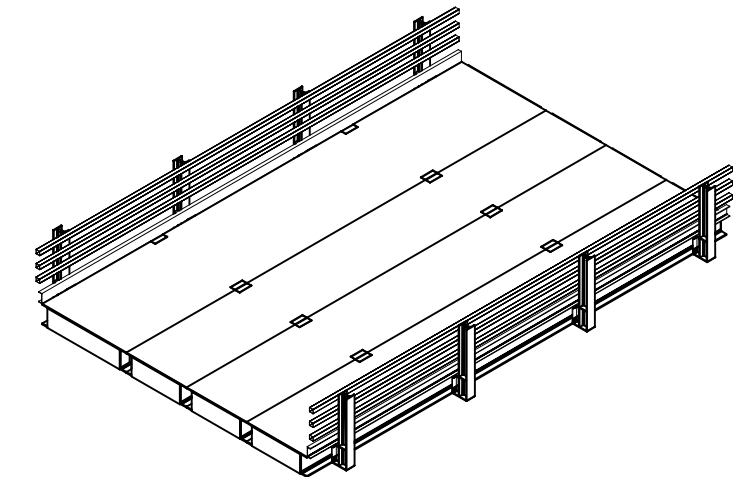
Side view **JSK 450 series - 10,50m** Free span [1-100]



Example

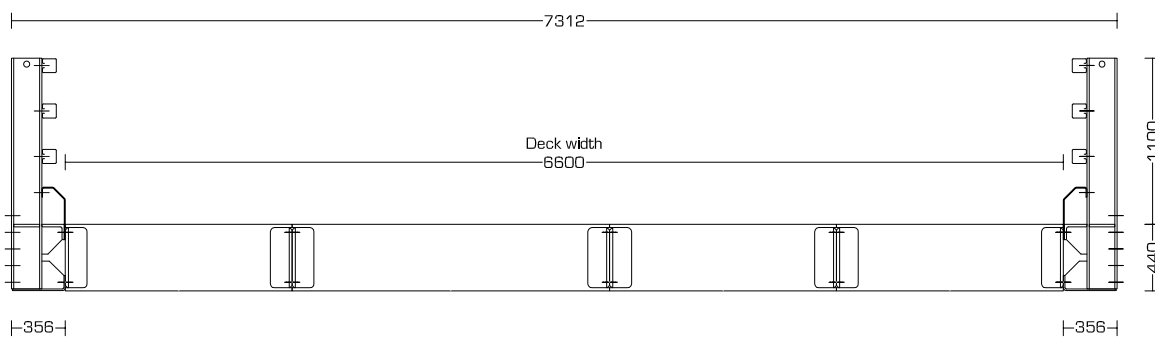


Top view **JSK 450 series - 6,60m** Deck width [1-100]




3D

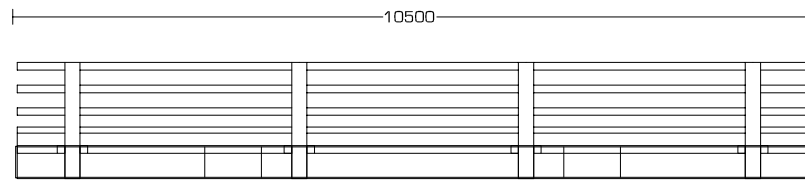
- Element length: 10.500 mm
- Deck width: 6.600 mm
- Construction height: 450 mm
- Dead load: 37,4 t
- Load class: EuroCode
- Deck surface: Epoxy resin embedded with aggregate



Cross view **JSK 450 series - Construction height 450mm** [1-50]

EXAMPLE DRAWING			
 JANSONBRIDGING <small>COME ACROSS</small>		www.jansonbridging.com	
JSK 450 series - 10,50m x 6,60m			
Scale	Form	Date	Author
1-100 1-50		2011-09-15	sc

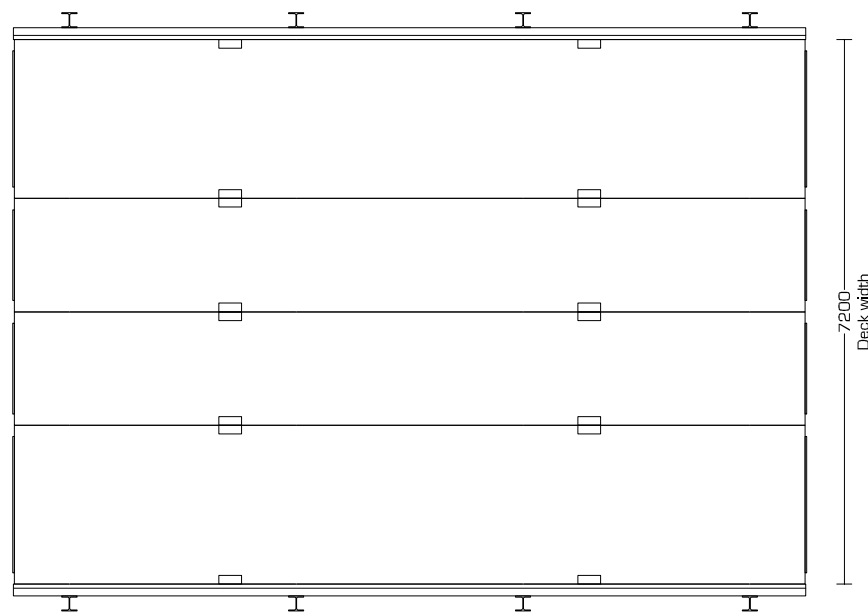
Janson Beam Bridges JSK 450 series



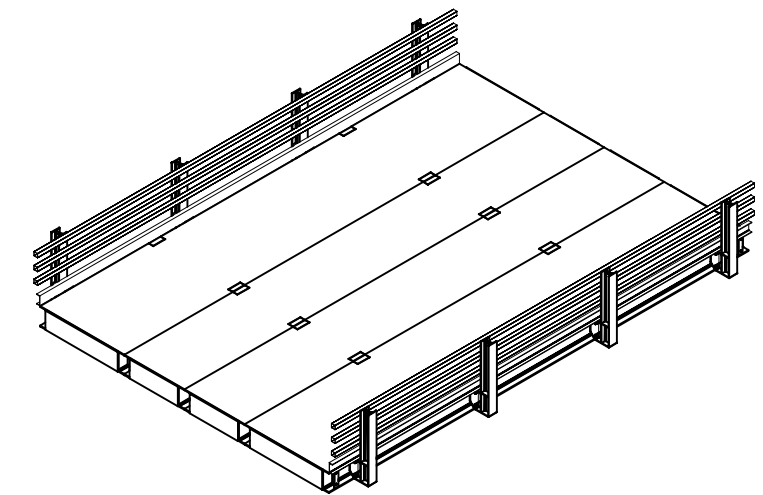
Side view **JSK 450 series - 10,50m** Free span [1-100]



Example

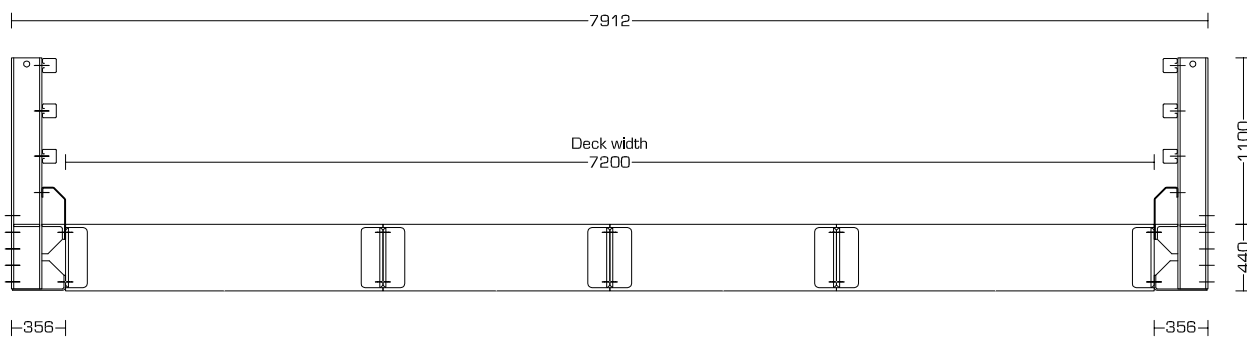


Top view **JSK 450 series - 7,20m** Deck width [1-100]




3D

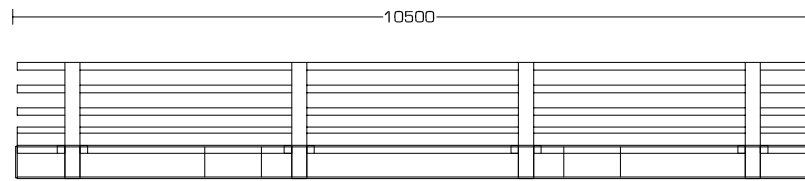
- Element length: 10.500 mm
- Deck width: 7.200 mm
- Construction height: 450 mm
- Dead load: 40,4 t
- Load class: EuroCode
- Deck surface: Epoxy resin embedded with aggregate



Cross view **JSK 450 series - Construction height 450mm** [1-50]

EXAMPLE DRAWING			
 JANSONBRIDGING <small>COME ACROSS</small>		www.jansonbridging.com	
JSK 450 series - 10,50m x 7,20m			
Scale	1-100 1-50	Date	2011-09-15
Author		Check	sc

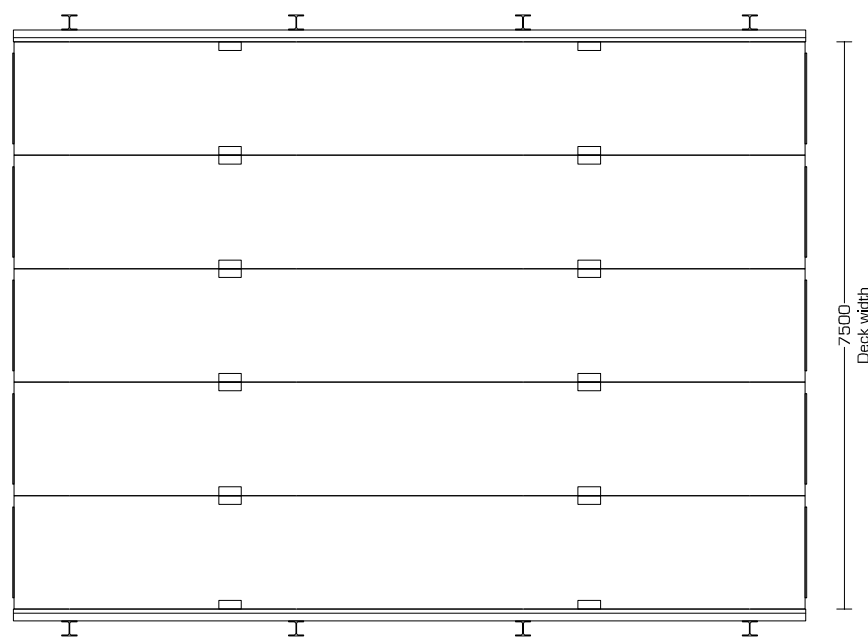
Janson Beam Bridges JSK 450 series



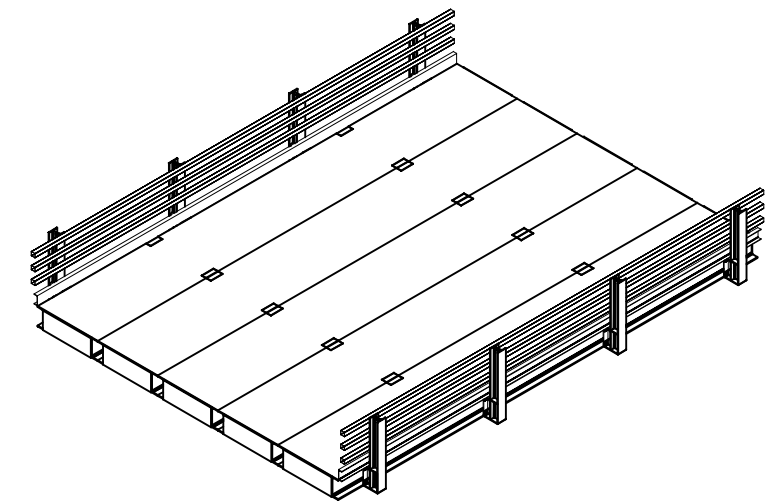
Side view **JSK 450 series - 10,50m** Free span [1-100]



Example

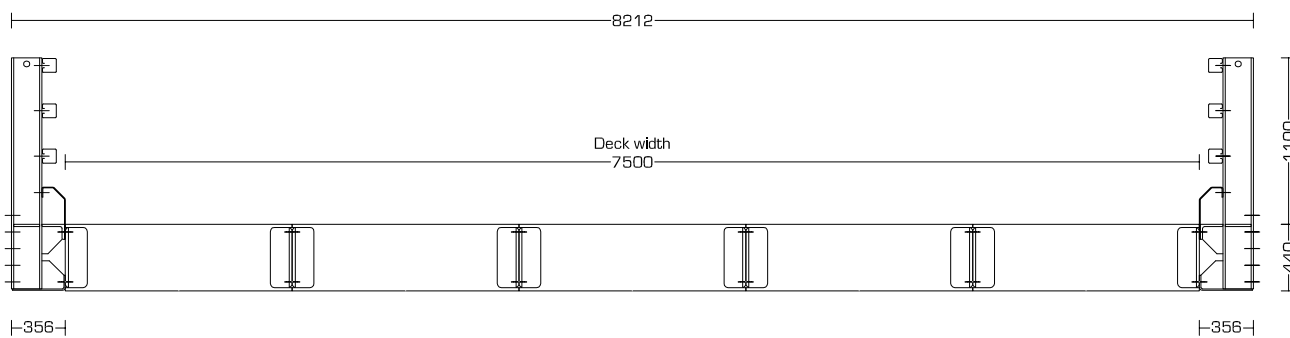


Top view **JSK 450 series - 7,50m** Deck width [1-100]




3D

- Element length: 10,500 mm
- Deck width: 7,500 mm
- Construction height: 450 mm
- Dead load: 42,4 t
- Load class: EuroCode
- Deck surface: Epoxy resin embedded with aggregate



Cross view **JSK 450 series - Construction height 450mm** [1-50]

EXAMPLE DRAWING			
		JANSONBRIDGING <small>COME ACROSS</small>	
www.jansonbridging.com			
JSK 450 series - 10,50m x 7,50m			
1-100	1-50	2011-09-15	sc