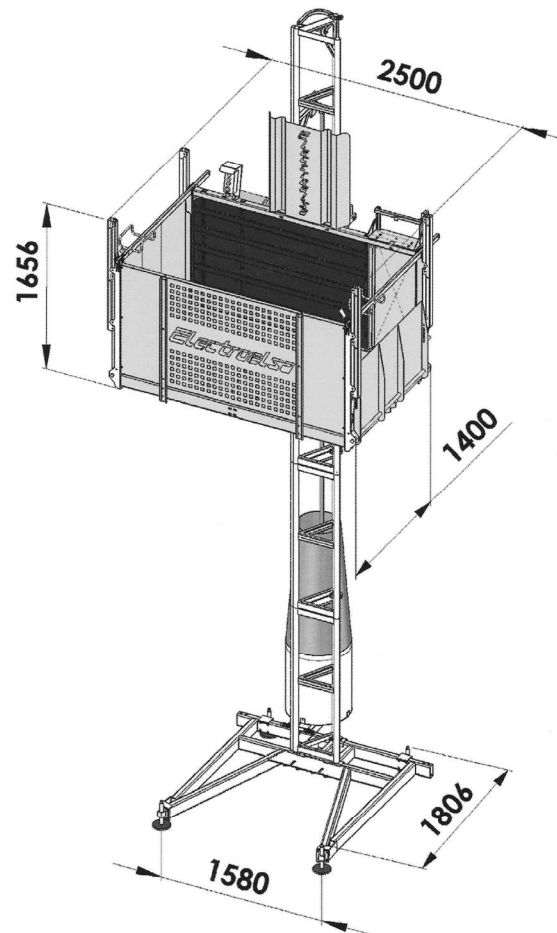
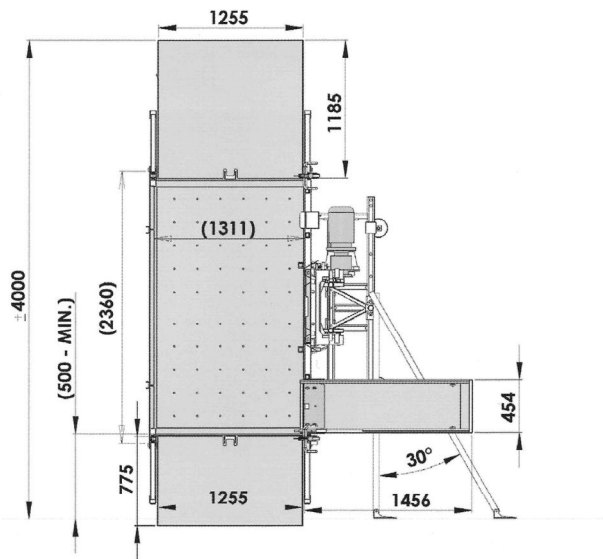


EHM-1200 Platform Hoist



Technical Data

Rated Capacity – 1200kg
Lifting Speed – 20m/min
Electric Motor – Three Phase
Voltage – 415v
Amps – 32amp
Frequency – 50hz
Max Lifting Height – 120m

Plantire Limited

36 – 38 Feltham Road, Ashford, Middlesex, TW15 1DH

Tel: 01784 247463 Fax: 01784247167 Email: info@plantire.com www.plantire.com

Registered in England No. 363180 VAT No. 209 5000 02 Plantire Limited is NQA ISO90002 registered