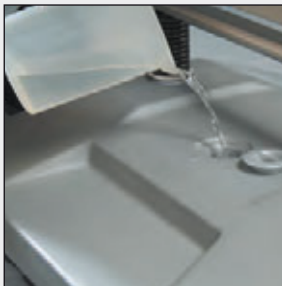
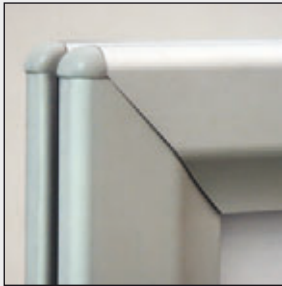


Waterbase Forecourt Sign



- **Easy to open snap frame**
- **Anti-glare poster covers**
- **Plastic base can be filled with water or sand**



Cable Systems • Snap Frames • A-Boards • Banner Stands
Wall Mount Fittings • Acrylic Displays & Dispensers Etc.

Premier Point of Sale Ltd

Premier House, Unit 8D
Newby Road Industrial Estate
Newby Road
Hazel Grove
Stockport
SK7 5DA

Member of



Shop and Display Equipment Association

Tel. 0161 487 3131

Fax. 0161 487 2121

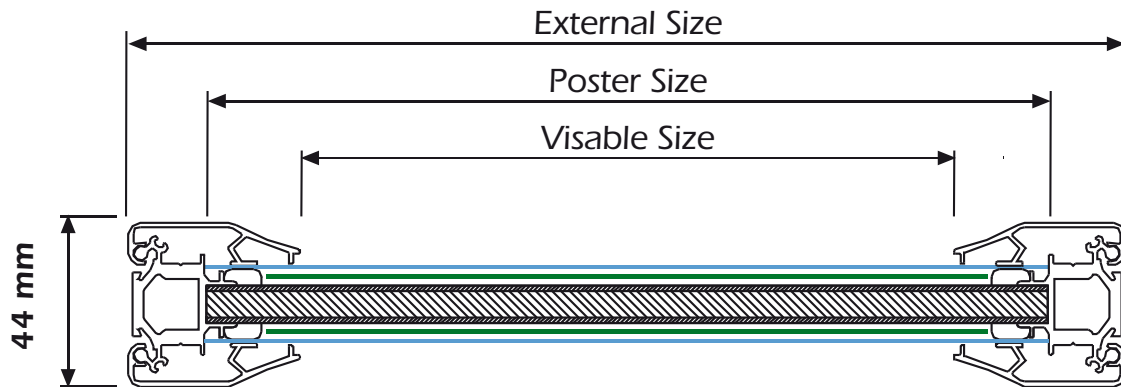
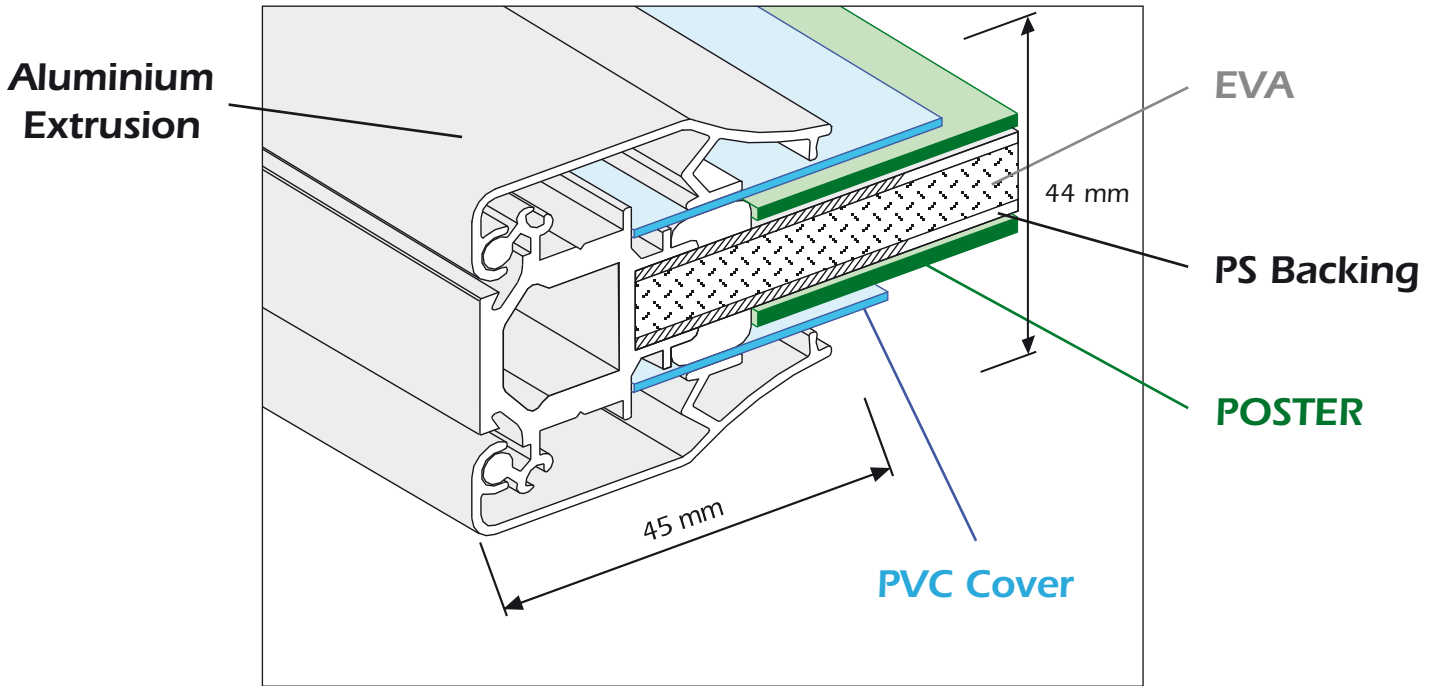
sales@4premier.co.uk

www.4premier.co.uk



Premier
point of sale

Waterbase Forecourt Sign



Product Code	Packaged Weight	External Size	Poster Size	Visible Size	Product Hight	Price
WFS-1/23	8.50 kg	580 x 834 mm	508 x 762 mm	500 x 754 mm	1185 mm	
WFS-1/1	10.45 kg	666 x 913 mm	594 x 841 mm	586 x 833 mm	1275 mm	
WFS-1/34	13.00 kg	834 x 1088 mm	762 x 1016 mm	754 x 1008 mm	1450 mm	
WFS-1/0	15.20 kg	913 x 1261 mm	841 x 1189 mm	833 x 1181 mm	1650 mm	
WFS-1/46	20.25 kg	1088 x 1596 mm	1016 x 1524 mm	1008 x 1516 mm	1875 mm	

All sizes are given in Portrait.



MOST DEBIT & CREDIT CARDS ACCEPTED

Prices are exclusive of VAT. All Items are sold at our standard terms and conditions which are available on request. E&OE. Prices do not include delivery.

Cable Systems • Snap Frames • A-Boards • Banner Stands
Wall Mount Fittings • Acrylic Displays & Dispensers Etc.

Premier Point of Sale Ltd

Premier House, Unit 8D
Newby Road Industrial Estate
Newby Road
Hazel Grove
Stockport
SK7 5DA

Member of



Tel. 0161 487 3131
Fax. 0161 487 2121
sales@4premier.co.uk
www.4premier.co.uk

