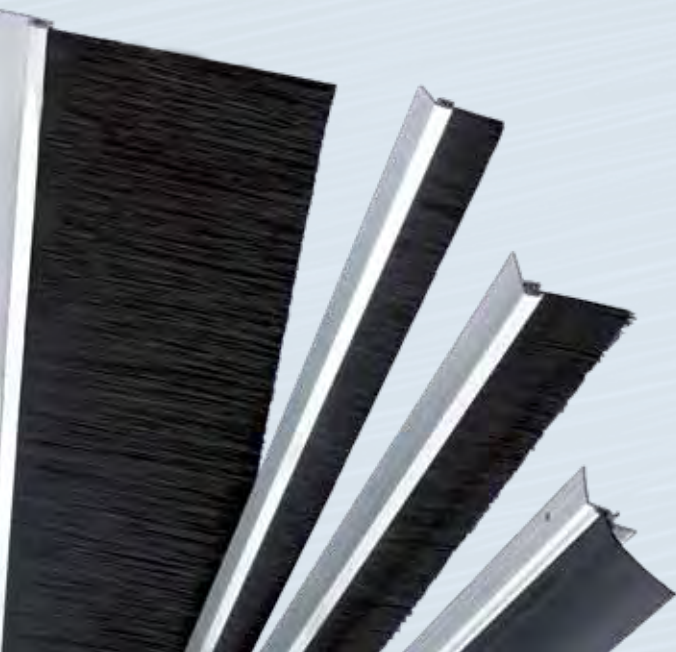
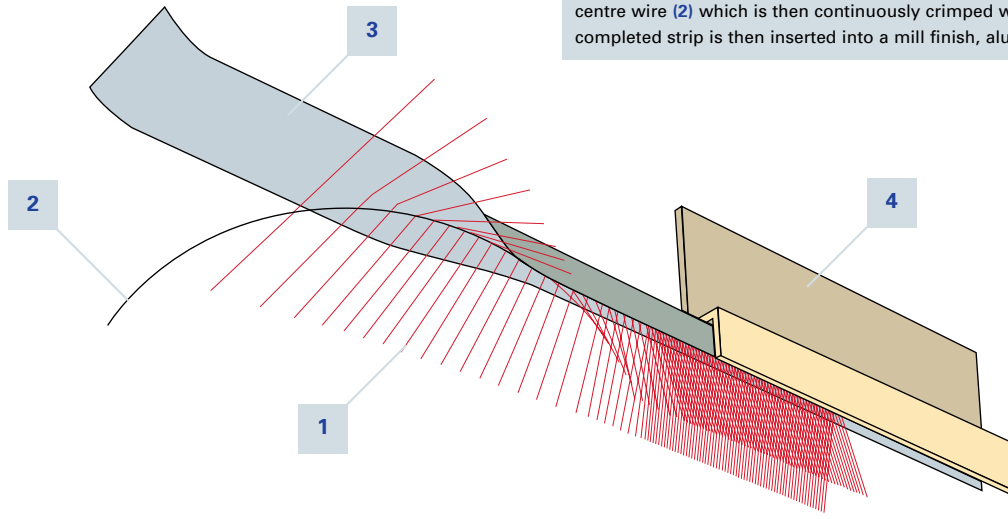


Brush strip can be used for an infinite variety of applications, including sealing against air, light, dust and sound. They can also be fitted as guides and retainers.

brush strip



The brush strips are produced by folding polypropylene brush filament (1) over a galvanised centre wire (2) which is then continuously crimped with a zinc plated steel strip (3). The completed strip is then inserted into a mill finish, aluminium holder (4).



Picture 1 Brush profile H on cable ducting

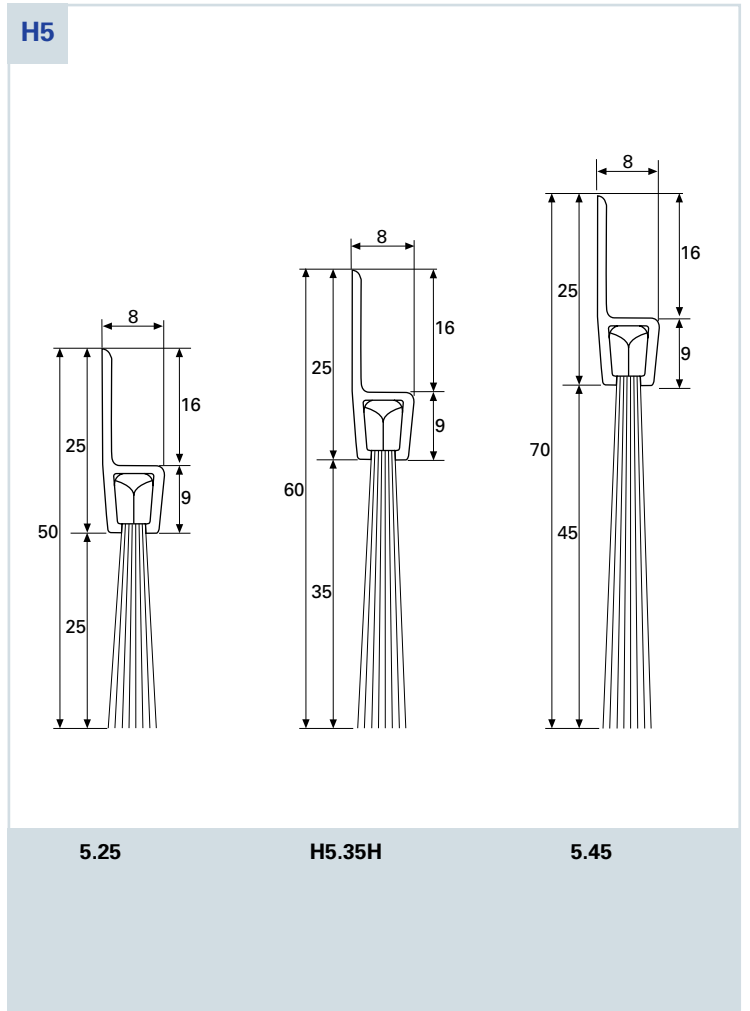
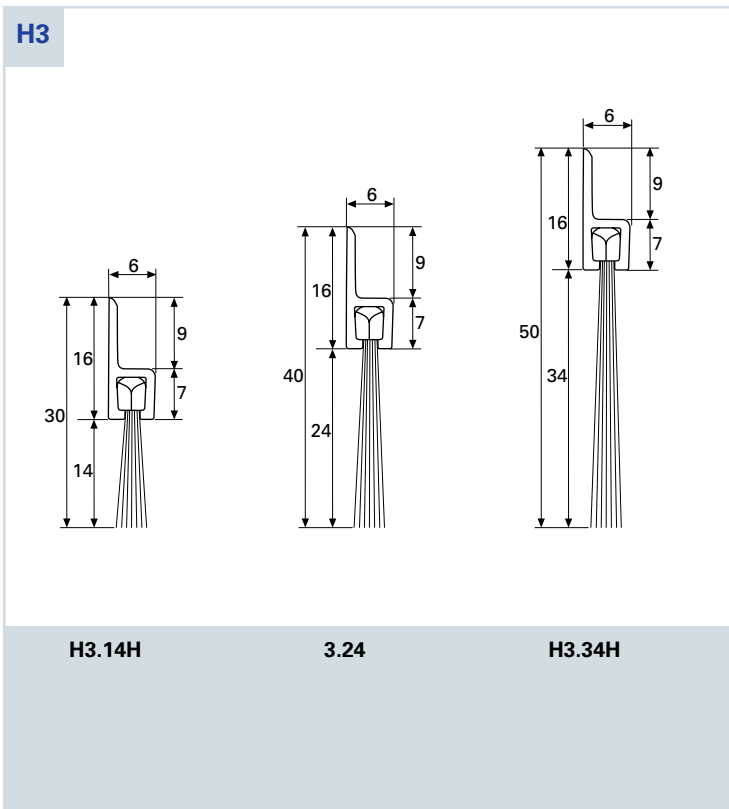
Picture 2 Brush profile F used as a guide on a packaging machine

Picture 3 Brush profile Y used on roller shutters



Brushprofile H

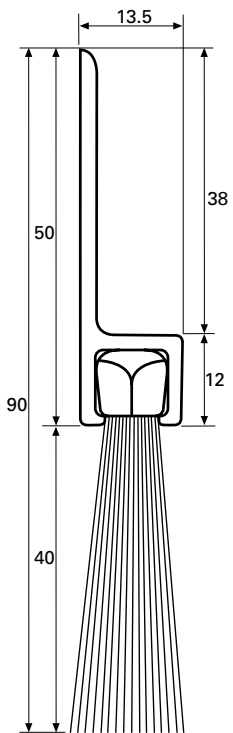
Scale 1:1 millimetres



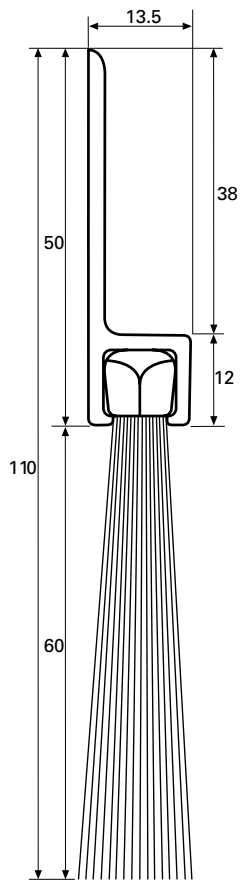
Brushprofile H (continued)
Scale 1:1 millimetres

Now Available H8.100

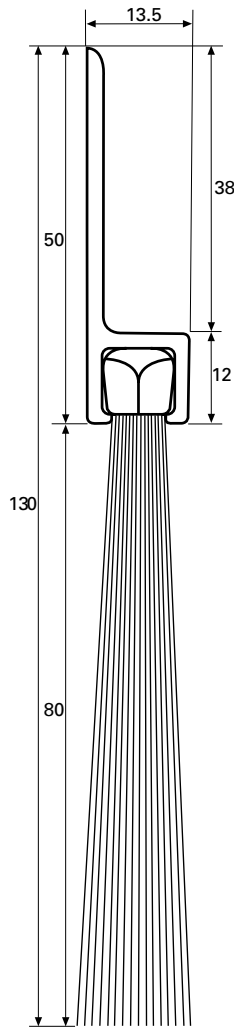
H8



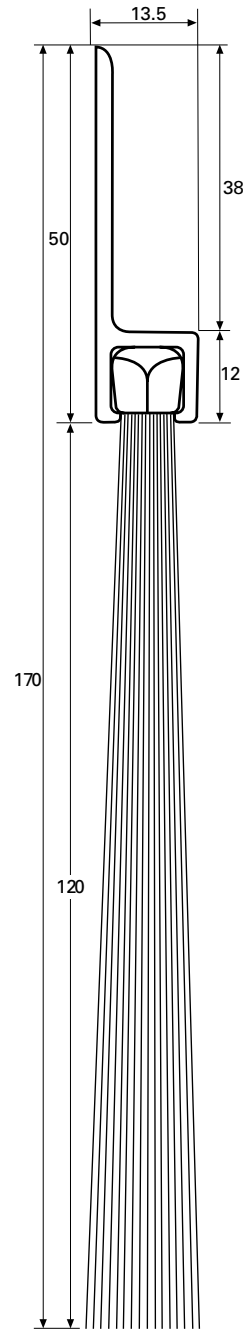
H8.40



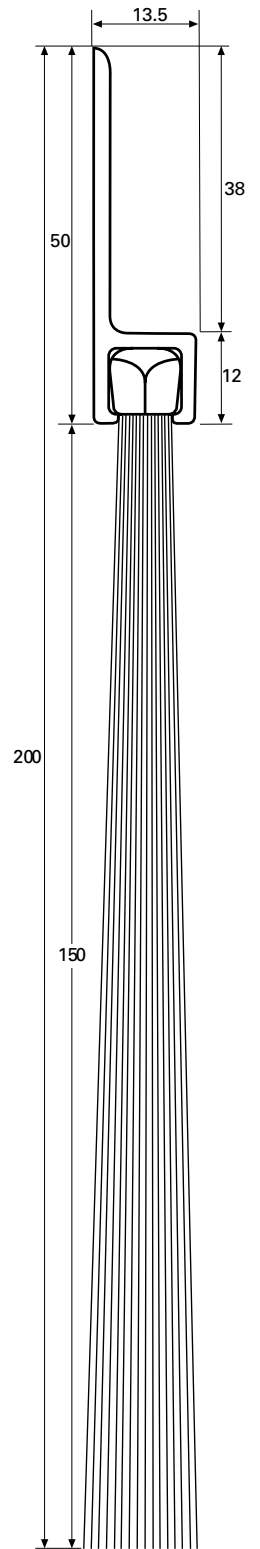
H8.60



H8.80



H8.120



H8.150

Brushprofile F

Scale 1:1 millimetres

F3

F3.14 X = 1 4
F3.24 X = 2 4
F3.34 X = 3 4

F5

F5.25 X = 2 5
F5.35 X = 3 5
F5.45 X = 4 5

F8

F8.40 X = 4 0 **F8.100** X = 100
F8.60 X = 6 0 **F8.120** X = 120
F8.80 X = 8 0 **F8.150** X = 150

Brushprofile Y

Scale 1:1 millimetres

Y3

Y3 .14 X = 1 4
Y3 .24 X = 2 4
Y3 .34 X = 3 4

Y5

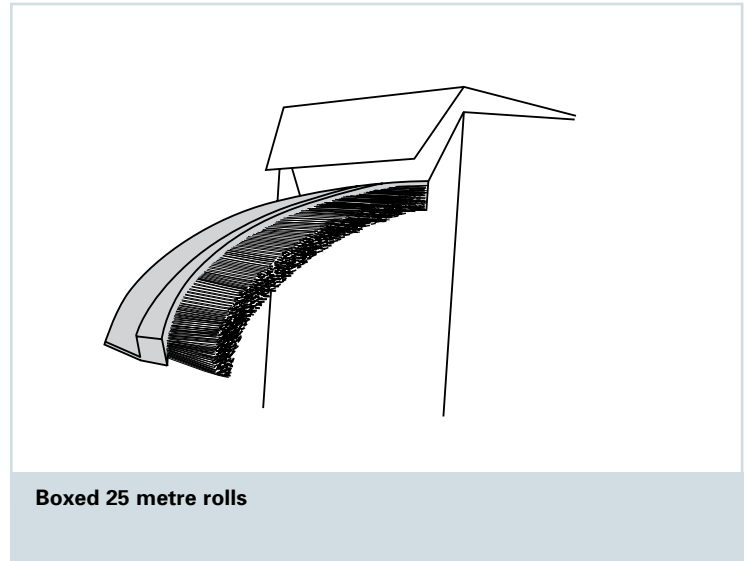
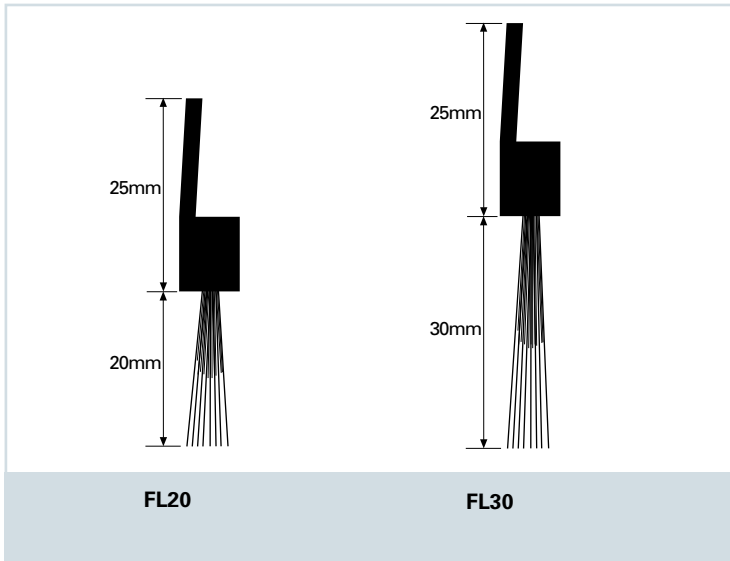
Y5 .25 X = 2 5
Y5 .35 X = 3 5
Y5 .45 X = 4 5

Y8

Y8 .40 X = 4 0 **Y8 .100** X = 100
Y8 .60 X = 6 0 **Y8 .120** X = 120
Y8 .80 X = 8 0 **Y8 .150** X = 150

Flexible brush strip

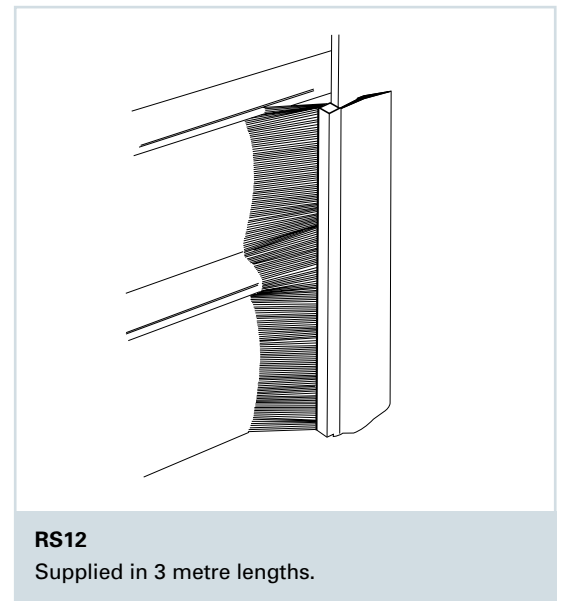
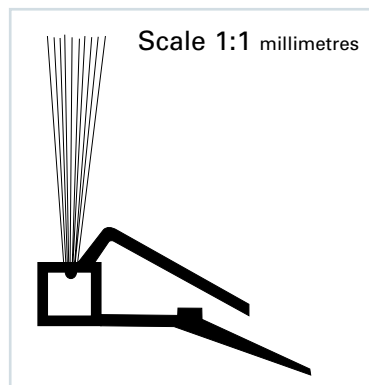
Flexibrush is produced by moulding the brush filament into a strong but flexible PVC brush holder. Available in two brush lengths 'Flexibrush' is supplied in boxed 25 metre rolls



Roller shutter brush strip

RS12

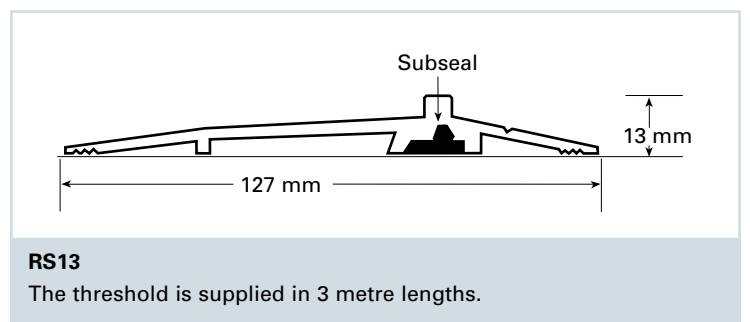
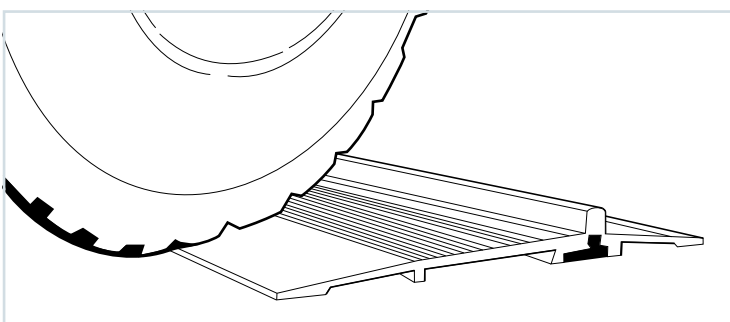
Brush strip has been specifically designed for the side sealing of roller shutters. Supplied in 3m. lengths, it is easily cut and clipped onto the side guide channels (3mm. thick). The brush provides an effective seal over the full height of the door and eliminates draughts, shaking and rattling. The brush carrier is extended, rigid PVC and the nylon brushes ensure long life.



Industrial door threshold

RS13

The threshold bar solves many problems associated with poor floors in commercial and industrial buildings. For roller shutters, sectional doors and hinged doors where the bottom weatherseals are fitted, the extruded aluminium threshold provides a flat surface for the seal plus a weatherbar.



Garage door weatherseals

Two weatherseal systems for up and over garage doors which form an effective draught seal, stops dust, leaves and discourages insects and rodents.

Single door kit containing:

1 x 8ft seal retainer plus 1 x 8 ft EPDM seal and screws

Double door kit containing:

2 x 8ft seal retainers plus 1 x 16ft EPDM seal and screws

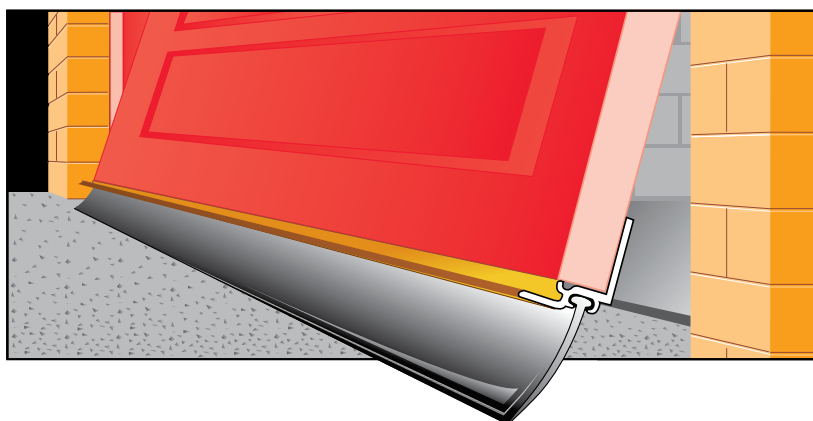
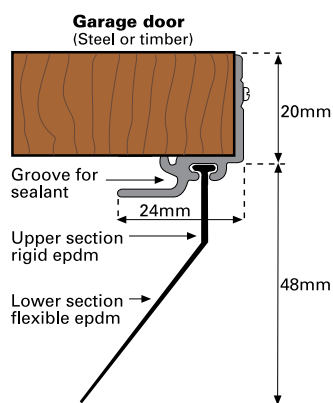
Features

- 1 Suitable for steel, timber and composite doors
- 2 Weather energised seal with a dual hardness blade which compensates for under door gaps up to 40mm. Aluminium (mill finish) seal retainer
- 3 Easy fit. Simply cut to length and screw to the door with the self piercing screws provided. No need to remove the door
- 4 Does not restrict the door movement

Garin - Internally fitted

Single door kit no. IN1M

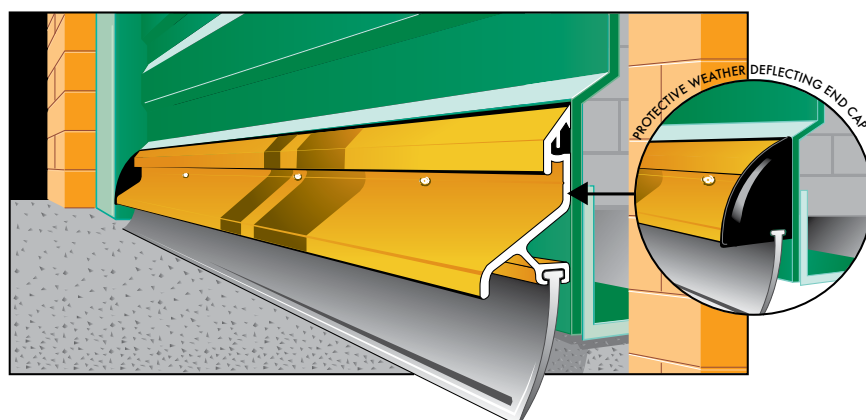
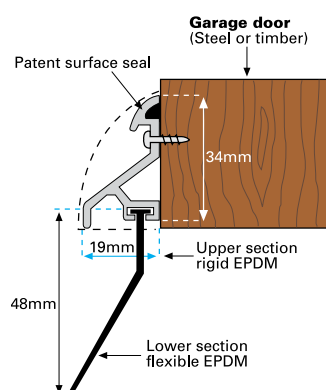
Double door kit no. IN2M



Garex - Externally fitted

Single door kit no. EX1M

Double door kit no. EX2M



Barrier Components Ltd, Unit 8, Dolphin Way, Dolphin Point, Purfleet, Essex
RM19 1NR
tel 01708 891 515
fax 01708 891 516

free fax order hotline
0800 136349

sales@barrier-components.co.uk
www.barrier-components.co.uk

The brush strips described on pages 2 to 5 of the catalogue are manufactured by Tribollet S.A.S of France who hold ISO 9002 (1994) quality control certificate no. QUAL/1996/5358a

