

doors | gates | glass

|          |      |
|----------|------|
| Uniclass | EPIC |
| L418     | D18  |
| CI/SfB   |      |
| (31.59)  | X    |

# sliding hardware systems



“We source only top quality components from specialist manufacturers throughout the world”

Barrier Components Ltd was established in 1987 to supply specialist hardware to commercial and industrial trades.

From our Dolphin Point head office and warehouse we despatch daily consignments throughout the United Kingdom and Ireland.

We source only top quality components from specialist manufacturers throughout the world. They are the result of continuous product development; functional yet well designed.

Our carefully planned catalogues and website allow for easy selection of the correct fittings and with our extensive stock holding, we despatch the majority of our orders on the same day as receipt.

Our experienced sales team are always available to assist with your requirements.



tel 01708 891 515

fax 01708 891 516

[sales@barrier-components.co.uk](mailto:sales@barrier-components.co.uk)

[www.barrier-components.co.uk](http://www.barrier-components.co.uk)

# Contents



|                  |    |
|------------------|----|
| Company profile  | 02 |
| Product selector | 04 |

## Industrial and agricultural doors and gates

|                             |    |
|-----------------------------|----|
| Guide to quantities         | 08 |
| Series K075                 | 09 |
| Series K150                 | 10 |
| Series K300/K500            | 12 |
| Guide systems               | 14 |
| Handles and door stops      | 16 |
| Locking and brushstrips     | 17 |
| Rollaway door systems       | 18 |
| Rollaway gate systems       | 20 |
| Gate components and locking | 22 |
| Cantilever gate system      | 24 |

## Commercial and residential doors and partitions

|                          |    |
|--------------------------|----|
| Linear                   | 30 |
| Hatch Timber             | 31 |
| Velo                     | 32 |
| Duo                      | 33 |
| Flush                    | 34 |
| Lateral                  | 35 |
| Loft                     | 36 |
| Auto                     | 37 |
| Bob                      | 38 |
| Compact                  | 39 |
| Ivan                     | 40 |
| Pocket door kit          | 41 |
| Barrierslide 200         | 42 |
| Barrierslide 400         | 43 |
| Vistaslide               | 44 |
| Cub                      | 46 |
| Fox                      | 47 |
| Endfold 40               | 48 |
| Endfold 60               | 49 |
| Centrefold 60            | 50 |
| Partitionfold            | 51 |
| Barrierfold              | 52 |
| Vistafold 44, 56         | 56 |
| Door furniture and locks | 60 |

## Glass sliding door hardware

|                       |    |
|-----------------------|----|
| Dura / Durus          | 64 |
| Hatch Glass           | 65 |
| Supra / Robustus      | 66 |
| G.Tech                | 68 |
| Slak                  | 69 |
| Portavant             | 70 |
| Glass pocket door kit | 71 |
| SDT                   | 72 |
| Compact glass         | 74 |
| Lisus M2              | 75 |
| Faltus                | 76 |
| Barrierstack          | 77 |
| Locks and Handles     | 78 |

# Sliding door hardware

## Product selector

To help you to select the appropriate sliding door hardware for your requirement.



Metal Timber Glass

### Industrial door and gate hardware

| Top Hung - Straight sliding |       |          |
|-----------------------------|-------|----------|
| Door Weight                 |       | Page No. |
| 75 kg                       | K-075 | 09       |
| 200 kg                      | K-150 | 10       |
| 300 kg                      | K-300 | 12       |
| 500 kg                      | K-500 | 12       |

| Bottom Rolling - Straight sliding |                         |          |
|-----------------------------------|-------------------------|----------|
| Door Weight                       |                         | Page No. |
|                                   | <b>Door Hardware</b>    |          |
| 250 kg                            | Rollaway 250            | 18       |
| 500 kg                            | Rollaway 500            | 18       |
|                                   | <b>Gate Hardware</b>    |          |
| 400 kg                            | Rollaway Gate RG400     | 20       |
| 800 kg                            | Rollaway Gate RG800     | 20       |
| Various                           | Cantilever Gate Systems | 24       |

### Glass sliding hardware

| Bottom Rolling  |             |          |
|-----------------|-------------|----------|
| Glass Thickness |             | Page No. |
| 4mm             | Dura        | 64       |
| 6mm             | Durus       | 64       |
| 6mm             | Hatch Glass | 65       |
| 6-8mm           | Supra       | 66       |
| 10-12mm         | Robustus    | 66       |

| Top Hung        |                       |          |
|-----------------|-----------------------|----------|
| Glass Thickness |                       | Page No. |
| 8-12mm          | Compact Glass         | 74       |
| 8-10mm          | Slak                  | 69       |
| 8-12mm          | Glass Pocket Door Kit | 71       |
| 8-12mm          | Portavant             | 70       |
| 10mm            | Lisus M2 Shower       | 75       |
| 10-12mm         | G Tech                | 68       |
| 10-12mm         | SDT                   | 72       |

| Glass partition hardware |              |          |
|--------------------------|--------------|----------|
| Glass Thickness          |              | Page No. |
| 10mm                     | Faltus       | 76       |
| 10-12mm                  | Barrierstack | 77       |



# Commercial & residential doors and partitions

## Straight sliding

## Folding

### Top Hung


### Top Hung

| Door Weight   |                  | Page No. |
|---|------------------|----------|
|    | Linear           | 30       |
|    | Auto             | 37       |
|    | Flush            | 34       |
|    | Lateral          | 35       |
|    | Ivan             | 40       |
|   | Duo              | 33       |
|  | Bob              | 38       |
|  | Loft             | 36       |
|  | Compact          | 39       |
|  | Pocket Door Kit  | 41       |
|  | Barrierslide 200 | 42       |
|  | Barrierslide 400 | 43       |

| Door Weight  |                   | Page No. |
|--|-------------------|----------|
|    | Cub               | 46       |
|    | Fox               | 47       |
|    | Endfold 40        | 48       |
|    | Endfold 60        | 49       |
|    | Centrefold 60     | 50       |
|   | Barrierfold       | 52       |
|  | Partitionfold 100 | 51       |

### Bottom Rolling

| Door Weight   |              | Page No. |
|---|--------------|----------|
|  | Hatch Timber | 31       |
|  | Velo         | 32       |
|  | Vistaslide   | 44       |

| Door Weight  |           | Page No. |
|--|-----------|----------|
|  | Vistafold | 56       |

Picture supplied by  
Reid Steel of Christchurch





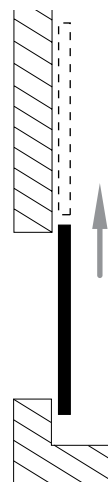
# Industrial & agricultural

# Series K075, K150 and K300/500

We show below the most common applications for sliding doors with charts to determine the correct hardware that is required. The number of brackets has been calculated on the standard 1000mm centres. Should the doors be abnormally heavy for their size, subject to heavy usage or high wind loading, then increase the number of brackets by reducing the centres to 500mm. A suitable bottom guide system must always be installed. All components and track are manufactured from galvanised steel. All hangers have sealed for life ball bearings.

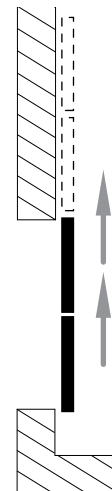
## Single door sliding on a single line of track

| opening width | track     | brackets | joint brackets | end clips | hangers |
|---------------|-----------|----------|----------------|-----------|---------|
| 1000mm        | 1x2m      | 3        | N/A            | 2         | 2       |
| 1500mm        | 1x3m      | 4        | N/A            | 2         | 2       |
| 2000mm        | 2x2m      | 4        | 1              | 2         | 2       |
| 2500mm        | 1x3m 1x2m | 5        | 1              | 2         | 2       |
| 3000mm        | 2x3m      | 6        | 1              | 2         | 2       |
| 4000mm        | 2x3m 1x2m | 7        | 2              | 2         | 2       |
| 5000mm        | 2x3m 2x2m | 8        | 3              | 2         | 2       |



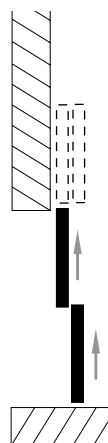
## Two doors sliding on a single track

| opening width | track     | brackets | joint brackets | end clips | hangers |
|---------------|-----------|----------|----------------|-----------|---------|
| 2000mm        | 2x2m      | 4        | 1              | 2         | 4       |
| 3000mm        | 2x3m      | 6        | 1              | 2         | 4       |
| 4000mm        | 2x3m 1x2m | 7        | 2              | 2         | 4       |
| 5000mm        | 2x3m 2x2m | 8        | 3              | 2         | 4       |
| 6000mm        | 4x3m      | 10       | 3              | 2         | 4       |
| 7000mm        | 4x3m 1x2m | 11       | 4              | 2         | 4       |
| 8000mm        | 4x3m 2x2m | 12       | 5              | 2         | 4       |
| 10000mm       | 6x3m 1x2m | 15       | 6              | 2         | 4       |



## Two doors sliding on a double track and double brackets

| opening width | track     | brackets | joint brackets | end clips | hangers |
|---------------|-----------|----------|----------------|-----------|---------|
| 2000mm        | 2x3m      | 4        | N/A            | 4         | 4       |
| 3000mm        | 2x3m 2x2m | 5        | 1              | 4         | 4       |
| 4000mm        | 4x3m      | 6        | 1              | 4         | 4       |
| 5000mm        | 4x3m 2x2m | 7        | 2              | 4         | 4       |
| 6000mm        | 6x3m      | 8        | 2              | 4         | 4       |
| 7000mm        | 6x3m 2x2m | 9        | 3              | 4         | 4       |
| 8000mm        | 8x3m      | 10       | 3              | 4         | 4       |



For advice with other applications, please contact our sales office 01708 891 515

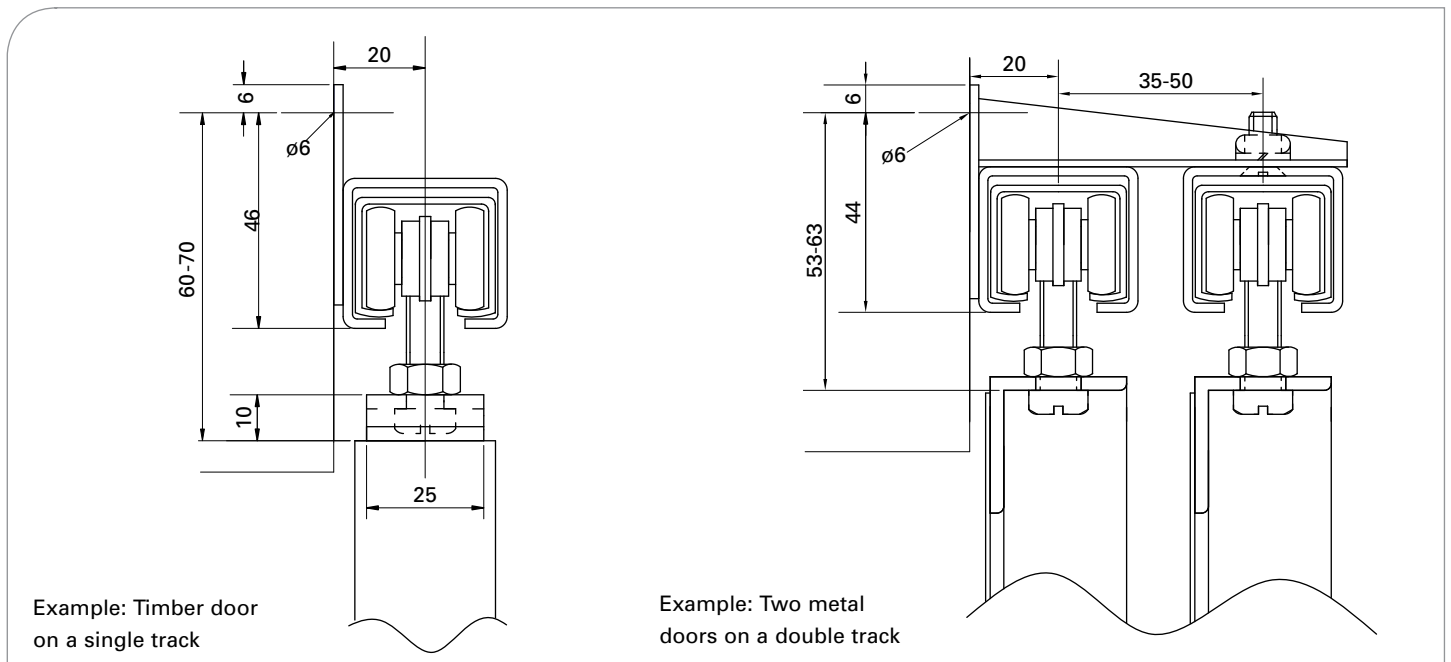
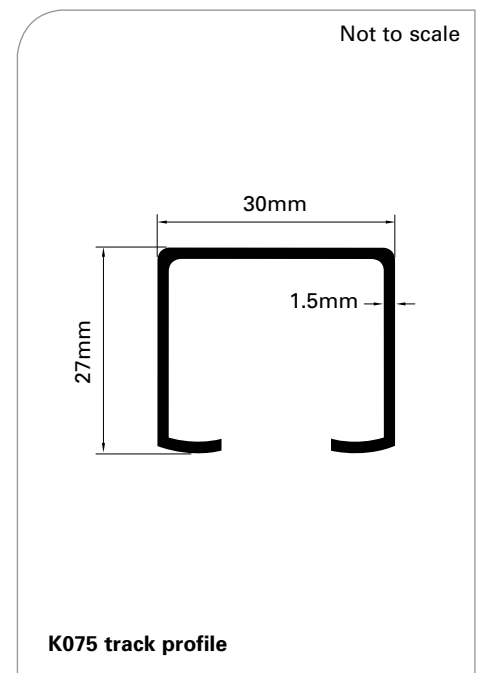


# Series K075



|                              |         |
|------------------------------|---------|
| Maximum door weight          | 75 kg   |
| Maximum door width           | 1500 mm |
| Maximum internal door height | 3000 mm |
| Maximum external door height | 2500 mm |

Designed for smaller industrial, commercial doors and warehouse cage doors etc. For applications where bracket fixing is not possible then the track (pre-drilled) can be screwed or bolted (using slotted mushroom head bolts) directly to the head.



**Hanger PP – 075**

Suitable for metal and timber doors

|   |           |   |      |   |      |
|---|-----------|---|------|---|------|
| A | M8 x 40mm | B | 25mm | C | 80mm |
|---|-----------|---|------|---|------|

**Bracket SKU – 075**

Face fix

Note: End clip PK-075 not illustrated

|   |      |   |      |   |      |
|---|------|---|------|---|------|
| A | 52mm | B | 46mm | C | 30mm |
| D | 36mm | ø | 6mm  |   |      |

**Bracket SK / 2 – 075**

Double face fix – adjustable

Note: End clip PK – 075 not illustrated

|   |      |   |         |   |      |
|---|------|---|---------|---|------|
| A | 83mm | B | 44mm    | C | 50mm |
| D | 20mm | E | 35-50mm | ø | 6mm  |

# Series K150

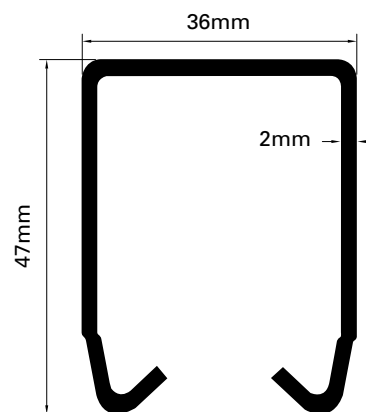


|                              |        |
|------------------------------|--------|
| Maximum door weight          | 200kg  |
| Maximum door width           | 3000mm |
| Maximum internal door height | 4000mm |
| Maximum external door height | 3000mm |

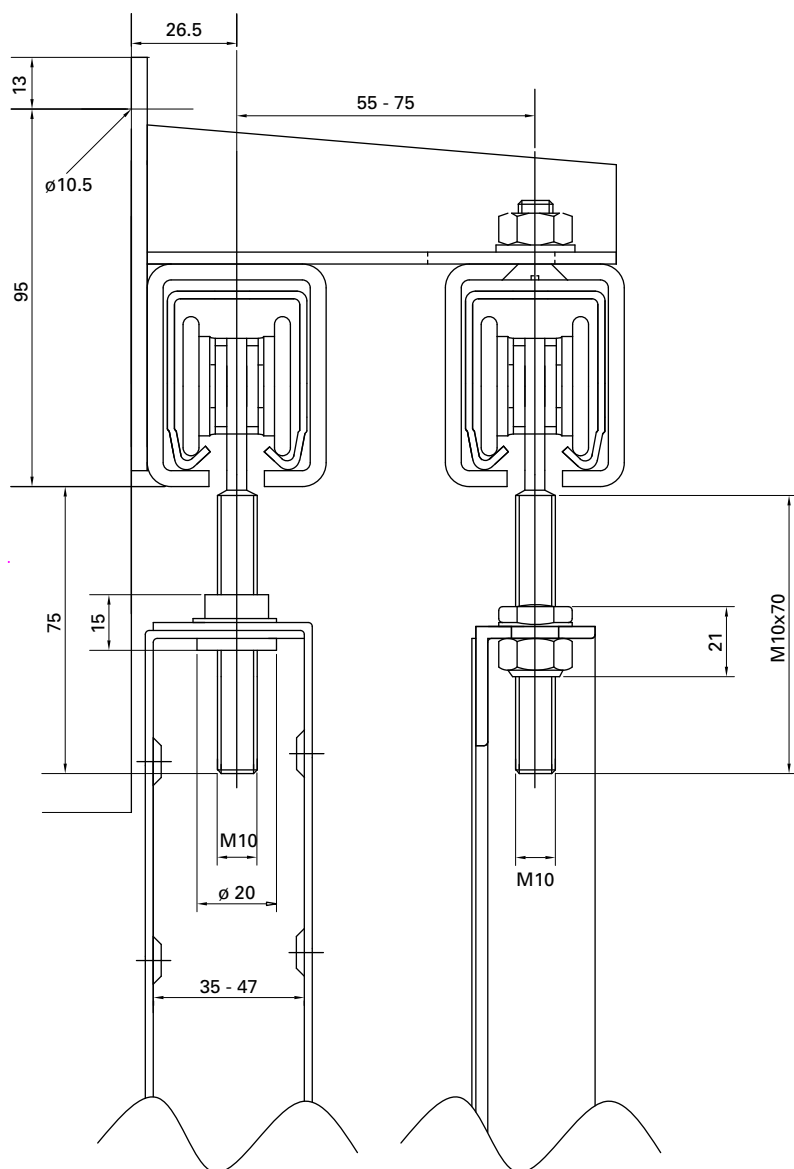
Designed for medium size industrial and commercial doors.  
A special hanger is also available for industrial curtains.

Track joints are formed simply by butting the track ends together within a bracket which has locking bolts. Please specify the following jointing brackets: SKL151, SKL152, KKKL151, KKL151.

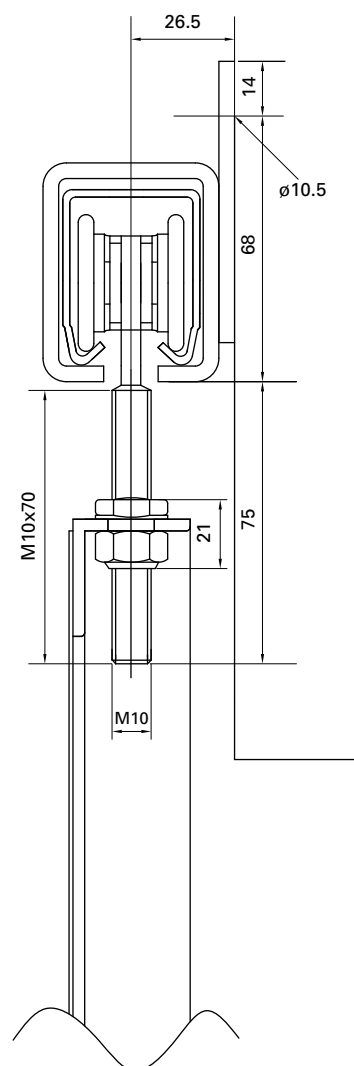
Not to scale



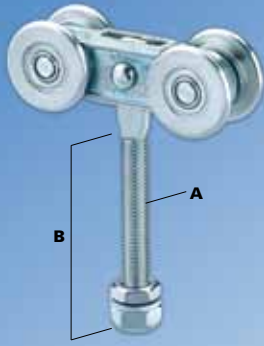
**K150 Track profile**



Example: Timber door and metal door on a double track



Example: Single metal door



**Hanger MP - 150**

For use on metal doors

A M10      B 70mm



**Timber Door Plate PPS 150**

Adjustable to suit varying door thicknesses

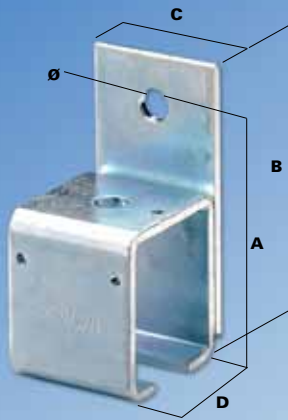
A 152mm    B 35 - 47mm    C 57mm



**Curtain Hanger VP / 2 - 150**

Maximum loading 50kg  
Removable 'S' hook

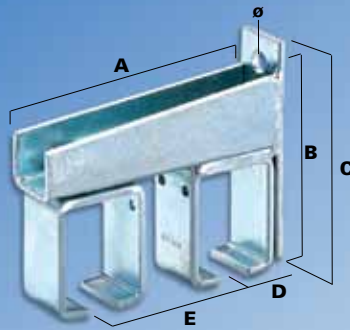
Ø 7mm



**Bracket SK151**

Face fix

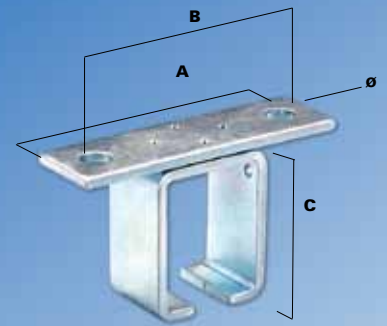
A 68mm    B 82mm    C 30mm  
D 49mm    Ø 10.5mm



**Bracket SK152**

Double face fix - adjustable

A 120mm    B 95mm    C 108mm  
D 27mm    E 55 - 75mm    Ø 10.5mm



**Bracket KKK151**

Soffit fix

A 100mm    B 75mm    C 60mm  
Ø 10.5mm



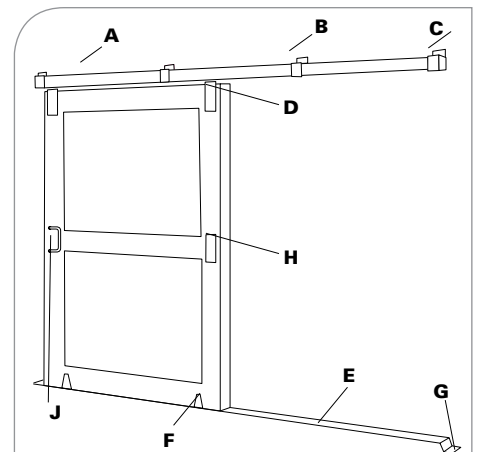
**Bracket Body KK151**

Fixing by slotted countersunk M10 bolt  
or woodscrew (not supplied)

A 56mm      Ø 10.5mm



**End Clip PK151**



**Hardware for a timber door**

A Track    B Brackets    C End clips  
D Hangers with plates    E Guide channel  
F Guides    G Stop    H Flush pull    J D handle

# Series K300 / K500



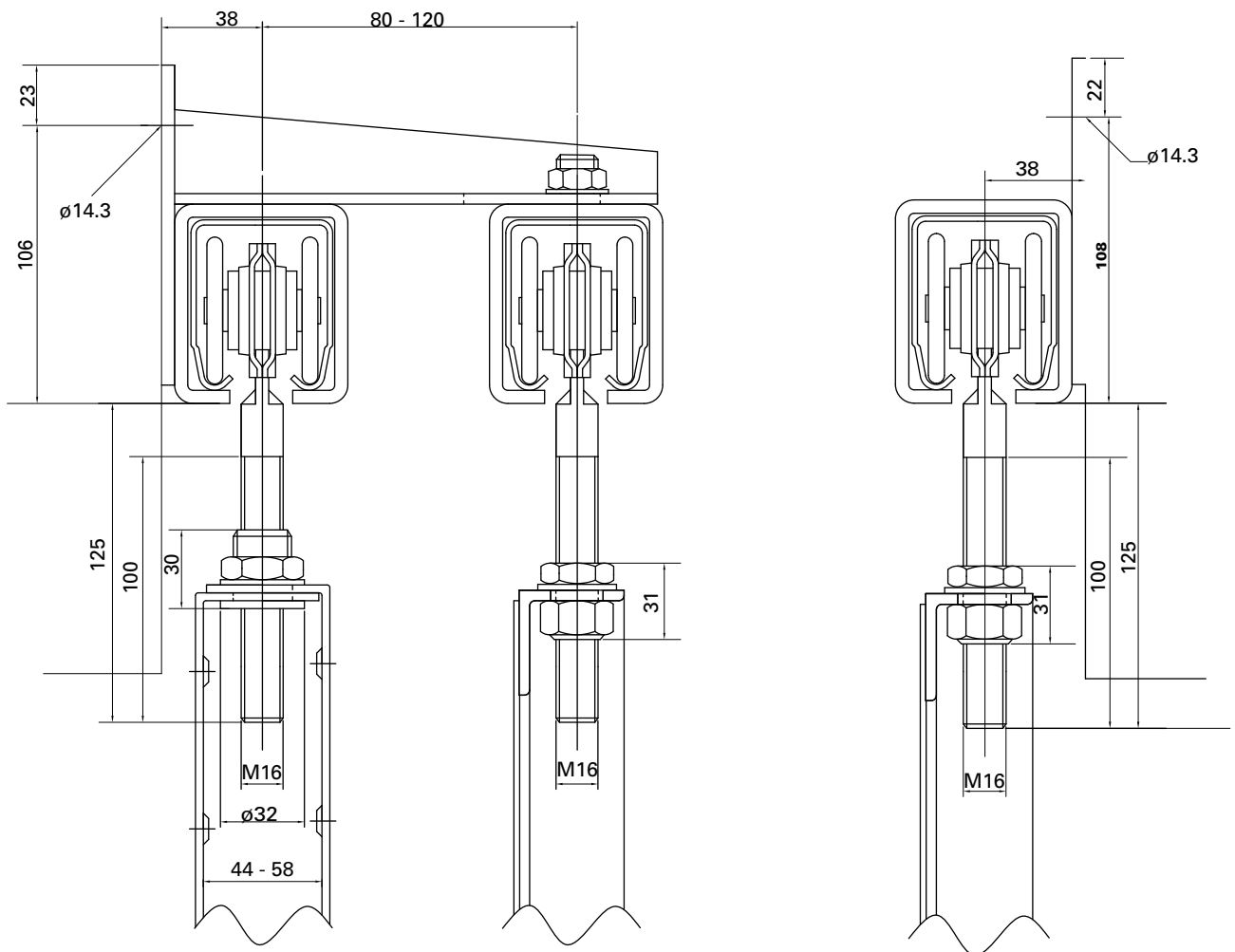
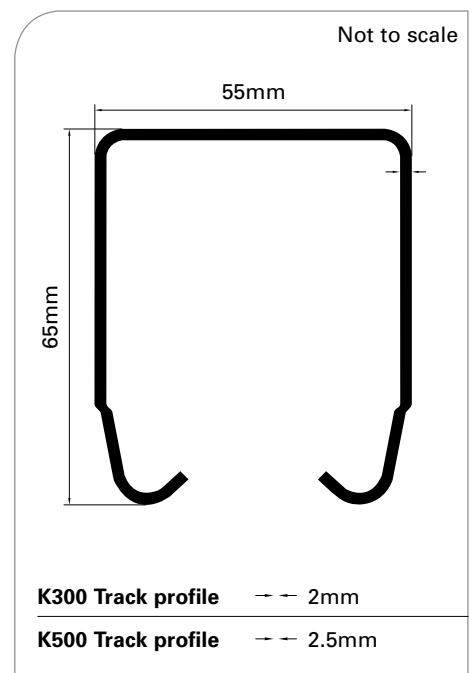
|                   |                              |        |
|-------------------|------------------------------|--------|
| <b>Track K300</b> | Maximum door weight          | 300kg  |
|                   | Maximum door width           | 4000mm |
|                   | Maximum internal door height | 6000mm |
|                   | Maximum external door height | 5000mm |

|                   |                              |        |
|-------------------|------------------------------|--------|
| <b>Track K500</b> | Maximum door weight          | 500kg  |
|                   | Maximum door width           | 5000mm |
|                   | Maximum internal door height | 6000mm |
|                   | Maximum external door height | 5000mm |

Note: Maximum door weight for track K500 can be increased to 1200kg by fitting brackets at 500mm centres and hangers MPT-600 (single track only).

Designed for large and heavy industrial, commercial and agricultural doors.  
A special hanger is also available for fire doors.

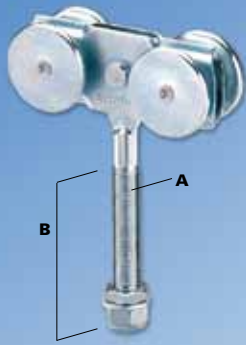
Track joints are formed simply by butting the track ends together within a bracket which has locking bolts. Please specify the following jointing brackets:  
SKL301/501, SKL302/502, KKKL301/501, KKL301/501



Example: One timber and one metal door on double track

Example: Single Metal Door

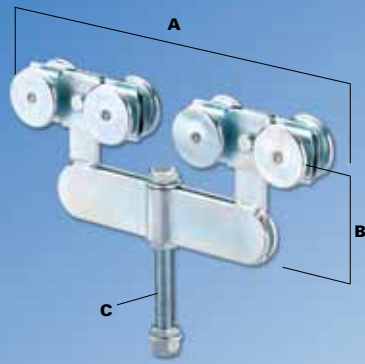




**Hanger MP300 - 500**

For use on metal doors

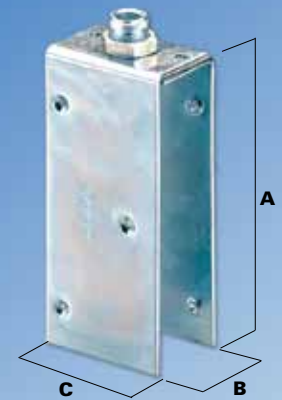
A M16 B 100mm



**Hanger MPT - 600**

For use on metal doors only

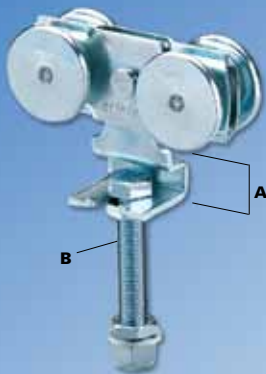
A 328mm B 78mm C M16x 150mm



**Timber Door Plate PPS300 - 500**

Adjustable to suit varying door thickness

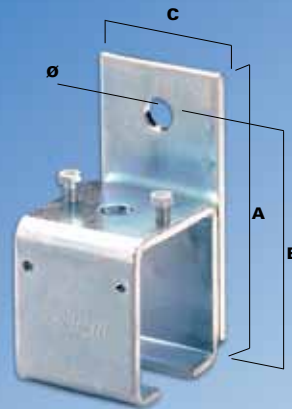
A 170mm B 44-58mm C 75mm



**Hanger MPS300 - 500H**

For steel fire doors (bearings to withstand temperatures up to 300°)

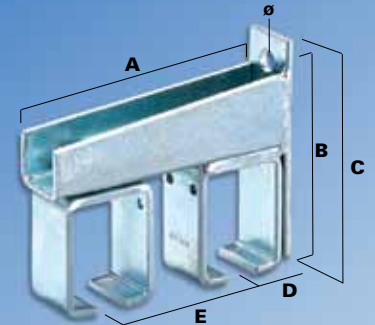
A 40mm B M16 x 100mm



**Bracket SK301 / 501**

Face fix. Note: Locking Bracket type SKL301 / 501 illustrated

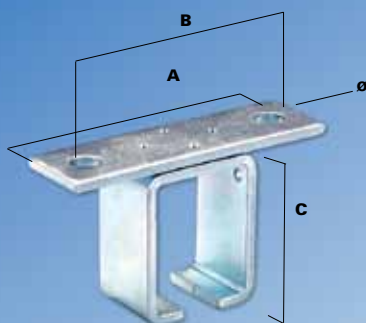
A 130mm B 108mm C 60mm  
D 71mm ø 14.3mm



**Bracket SK302 / 502**

Double face fix - adjustable

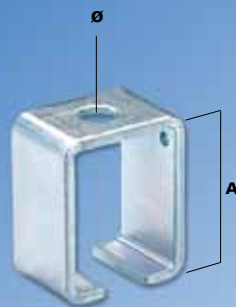
A 190mm B 106mm C 130mm  
D 38mm E 80-120mm ø 14.3mm



**Bracket KKK 301 / 501**

Soffit fix

A 165mm B 120mm C 81mm  
ø 14.3mm



**BRACKET BODY KK301 / 501**

Fixing by slotted countersunk M12 Bolt (not supplied)

A 76mm ø 13mm

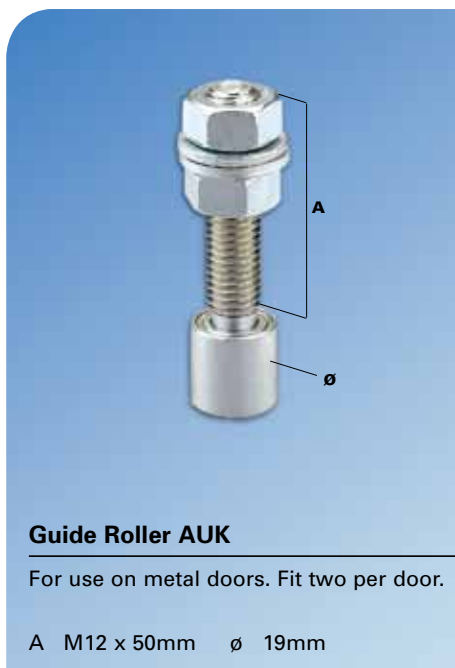


**End Clip PK301**

# Guide systems



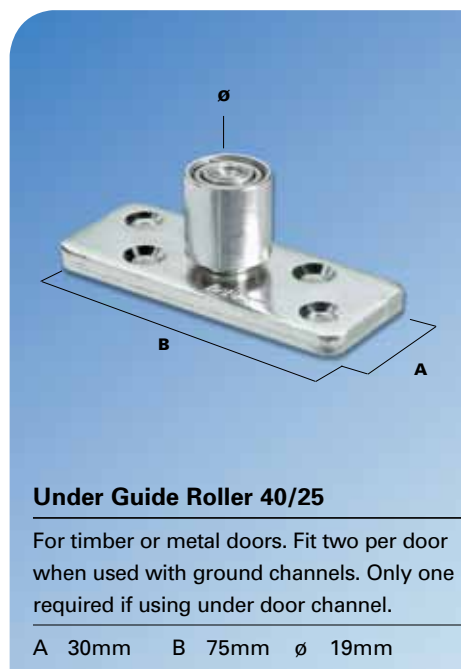
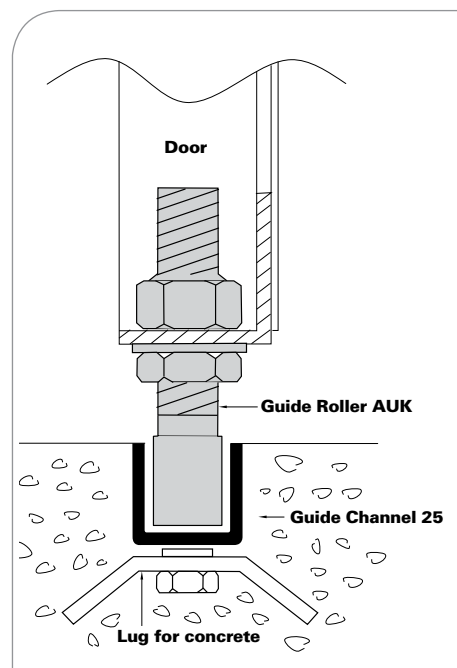
These are essential for the correct use and safety of a sliding door. The most popular systems are full length ground channels (the same total of metres as the top track) with guides fixed to the bottom of the door. Alternatively, under door channels, wall or ground guides can be used.



## Guide Roller AUK

For use on metal doors. Fit two per door.

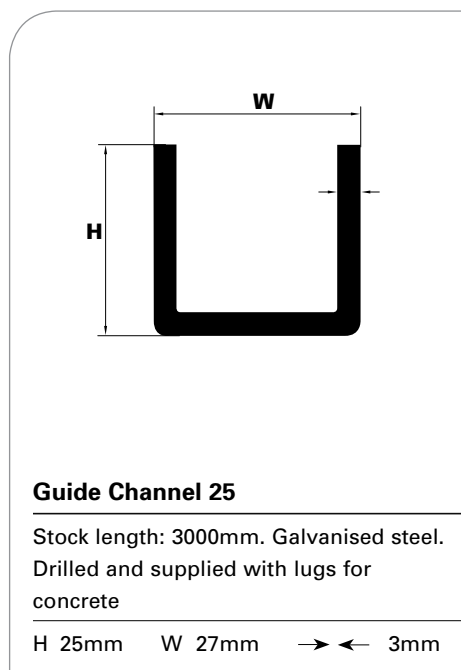
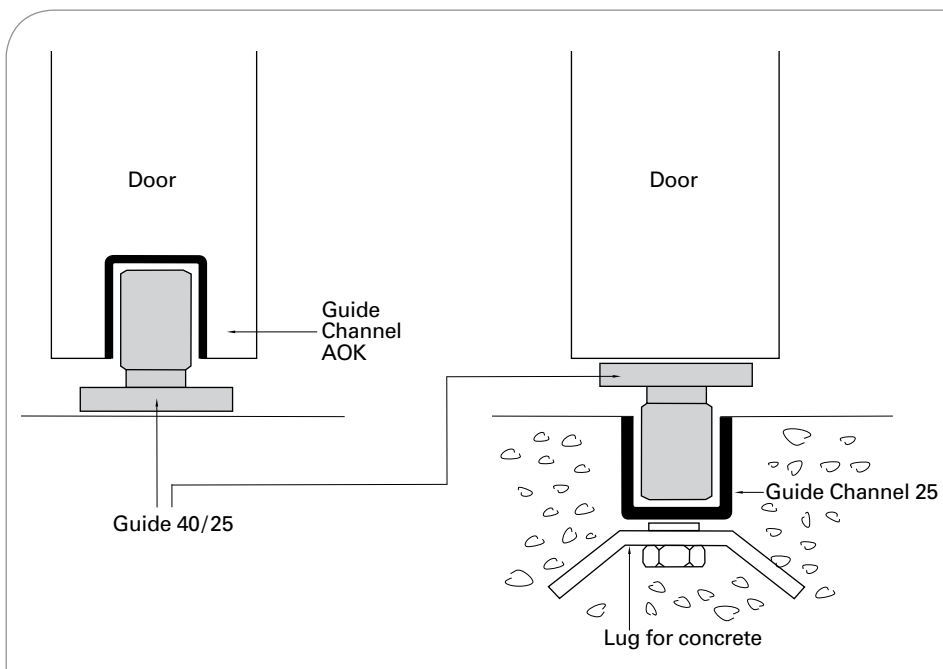
A M12 x 50mm ø 19mm



## Under Guide Roller 40/25

For timber or metal doors. Fit two per door when used with ground channels. Only one required if using under door channel.

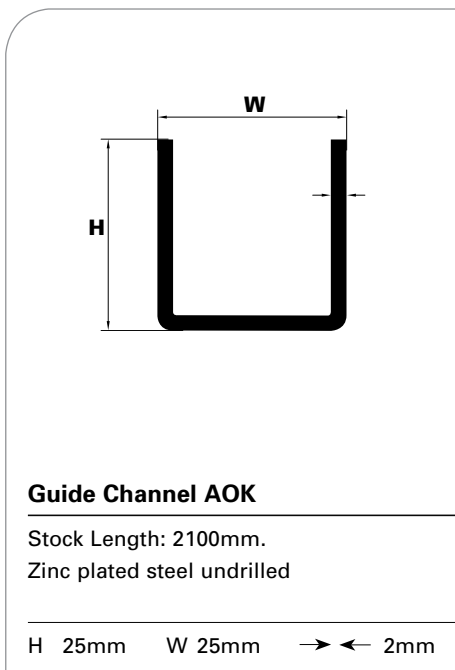
A 30mm B 75mm ø 19mm



## Guide Channel 25

Stock length: 3000mm. Galvanised steel. Drilled and supplied with lugs for concrete

H 25mm W 27mm → ← 3mm



## Guide Channel AOK

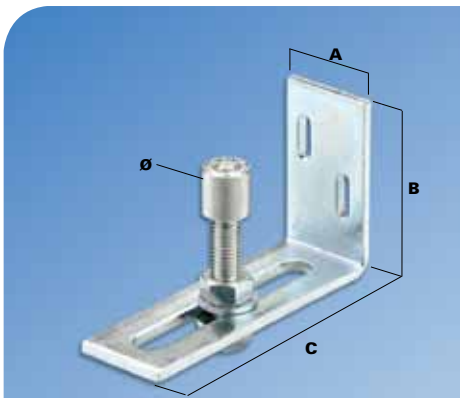
Stock Length: 2100mm. Zinc plated steel undrilled

H 25mm W 25mm → ← 2mm



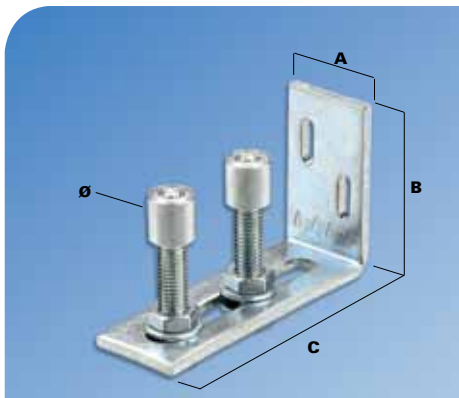
## Guide Channels

Note: Channel AOK is only suitable for pedestrian traffic when fitted as a ground channel.



**Wall Guide AO - 12**

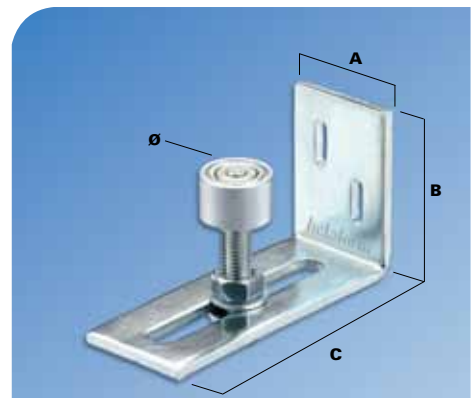
A 40mm B 76mm C 125mm  
 Ø 19mm slot length 100mm  
 X Minimum 15mm



**Wall Guide AO - 22**

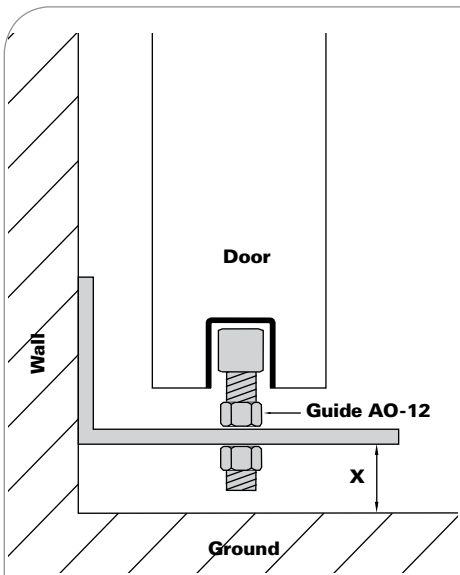
Maximum door thickness: 65mm

A 40mm B 76mm C 125mm  
 Ø 19mm slot length 100mm  
 X Minimum 15mm

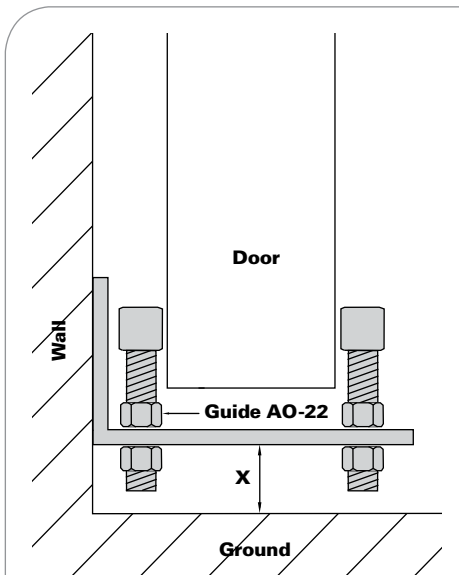


**Wall Guide AO - 13**

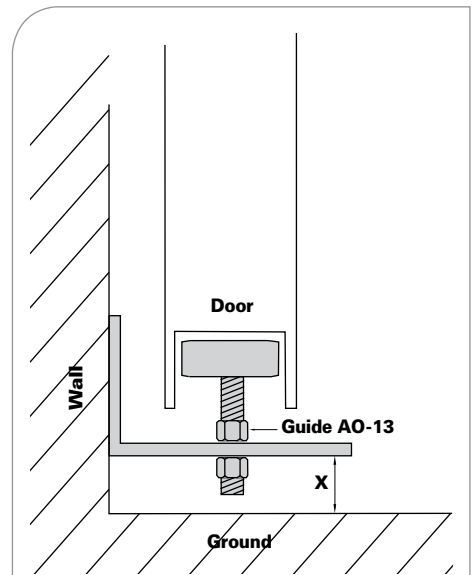
A 40mm B 76mm C 125mm  
 Ø 30mm slot length 100mm  
 X Minimum 15mm



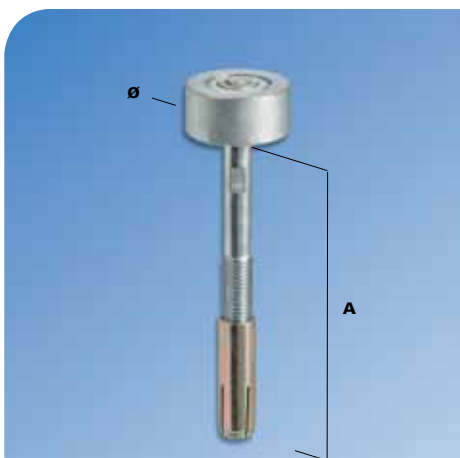
Typical example of Guide AO-12 on a timber door using Channel AOK



Typical example of Guide AO-22



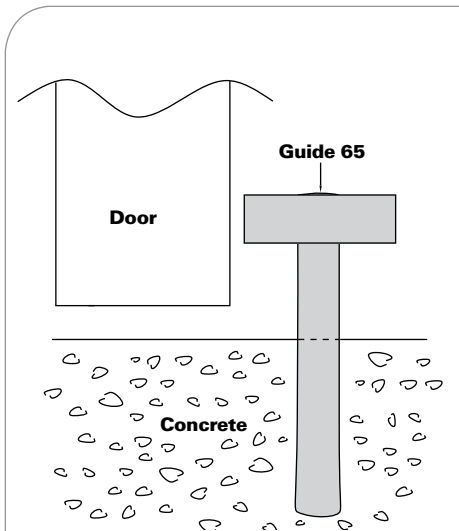
Typical example of Guide AO-13 on a metal door



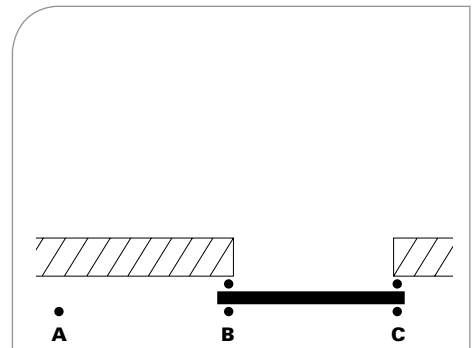
**Ground Guide 65**

Designed for setting into concrete

A: 140mm Ø: 40mm



Typical example of Guide 65



**Installation**

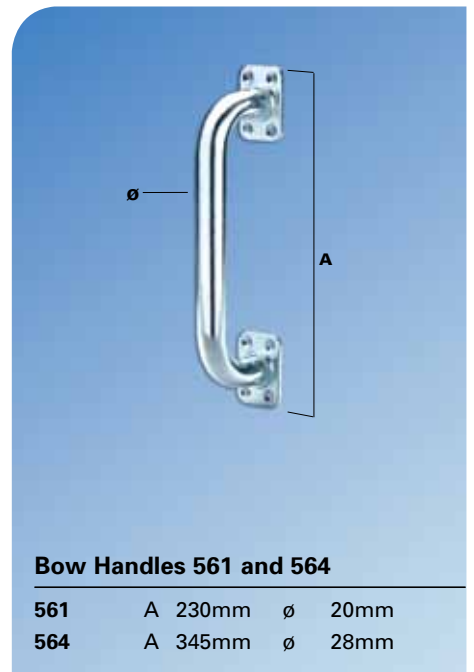
When using ground or wall guides, the door must be 'in contact' at all times with the centre guide 'B'. The guides at point 'A' and 'C' add stability in the open and closed positions.

# Industrial sliding door accessories



**Handles:** We recommend a combination of bow handles and flush pulls; the latter are required on the side of the door which slides flush to a wall or the opposing faces of double doors. The handles are manufactured from zinc plated steel.

**Door stops:** These must be fitted to ensure safe operation of the door. We suggest track stops for most applications but for external doors over 3m high we recommend an extra ground / wall stop is fitted.

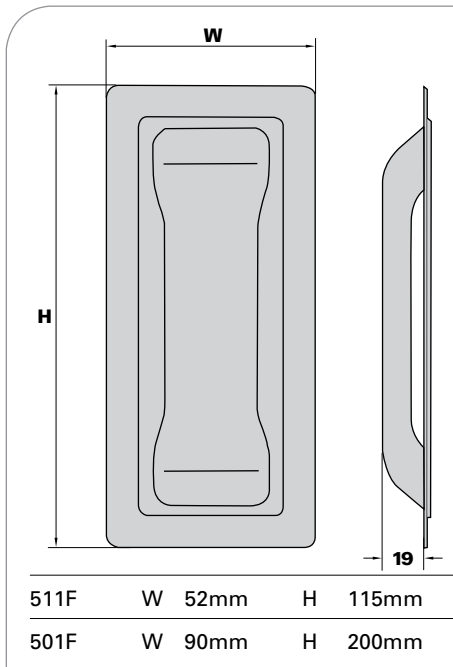


**Bow Handles 561 and 564**

|     |         |        |
|-----|---------|--------|
| 561 | A 230mm | ø 20mm |
| 564 | A 345mm | ø 28mm |



**Flush Pulls 511F and 501F**



**Ground/Wall Door Stop P**



**Track Stop KP075**

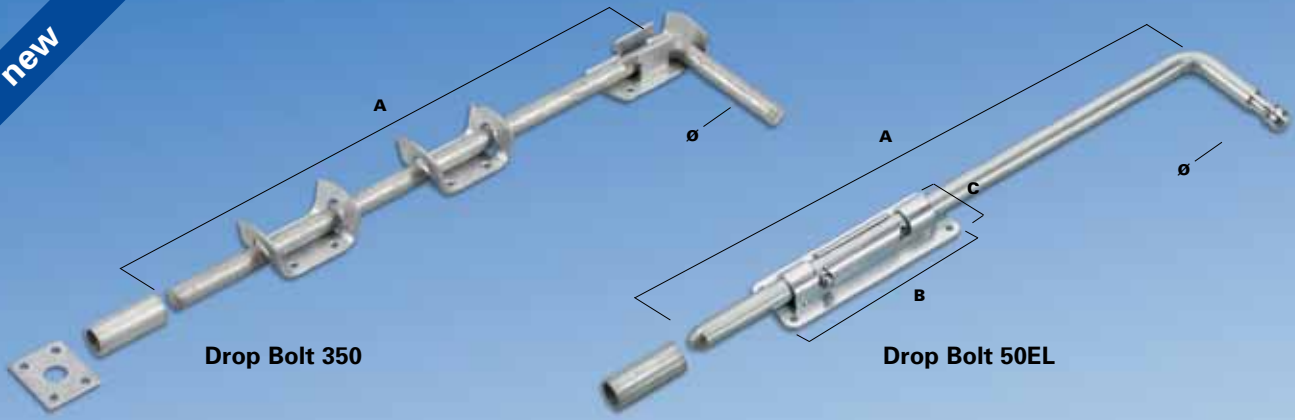


**Track Stop KP200**



**Track Stop KP300 - 500**

new



**Security drop bolts**

**Drop Bolt 350** A 455mm or 750mm  $\phi$  16mm

**Finish:** Steel hot dipped galvanised finish

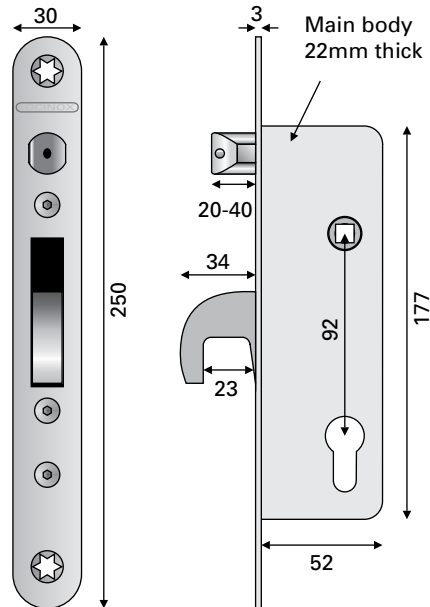
**Drop Bolt 50EL** A 440mm  $\phi$  16mm B 141mm C 46mm

**Finish:** Steel zinc plated finish



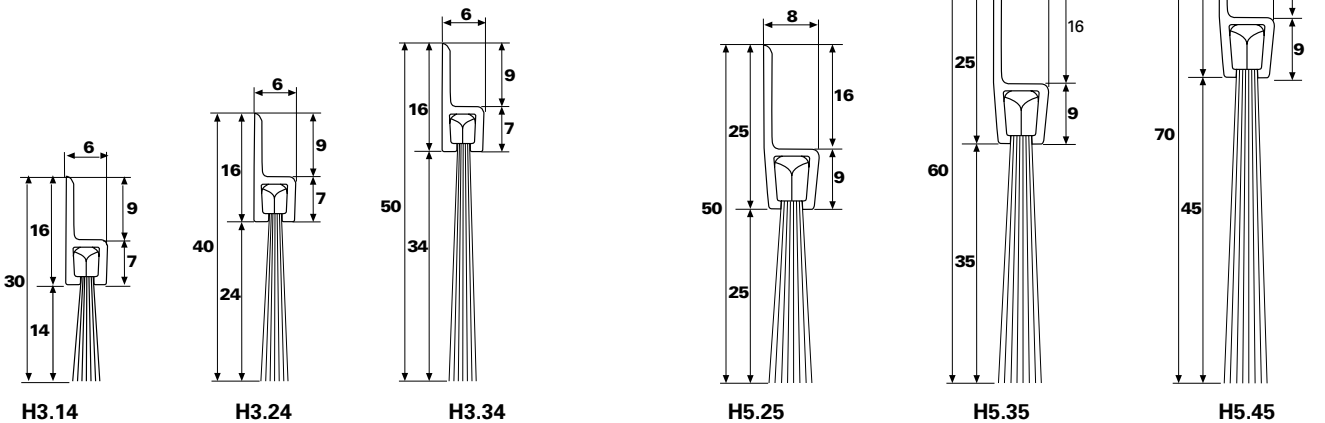
**Hybrid Lock and Ram Keep**

Complete with euro profile cylinder 54mm or 80mm.  
No handle required for straight sliding doors.



**Brush Strip**

All brush strips are 3m long. Mill finish aluminium retainer with black polypropylene brush filaments. For larger brushes please view our website. All dimensions in mm.

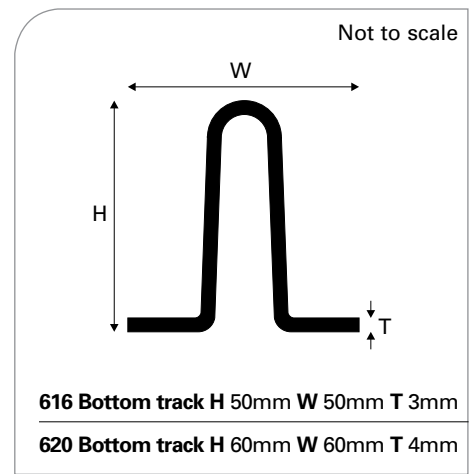


# Rollaway door system

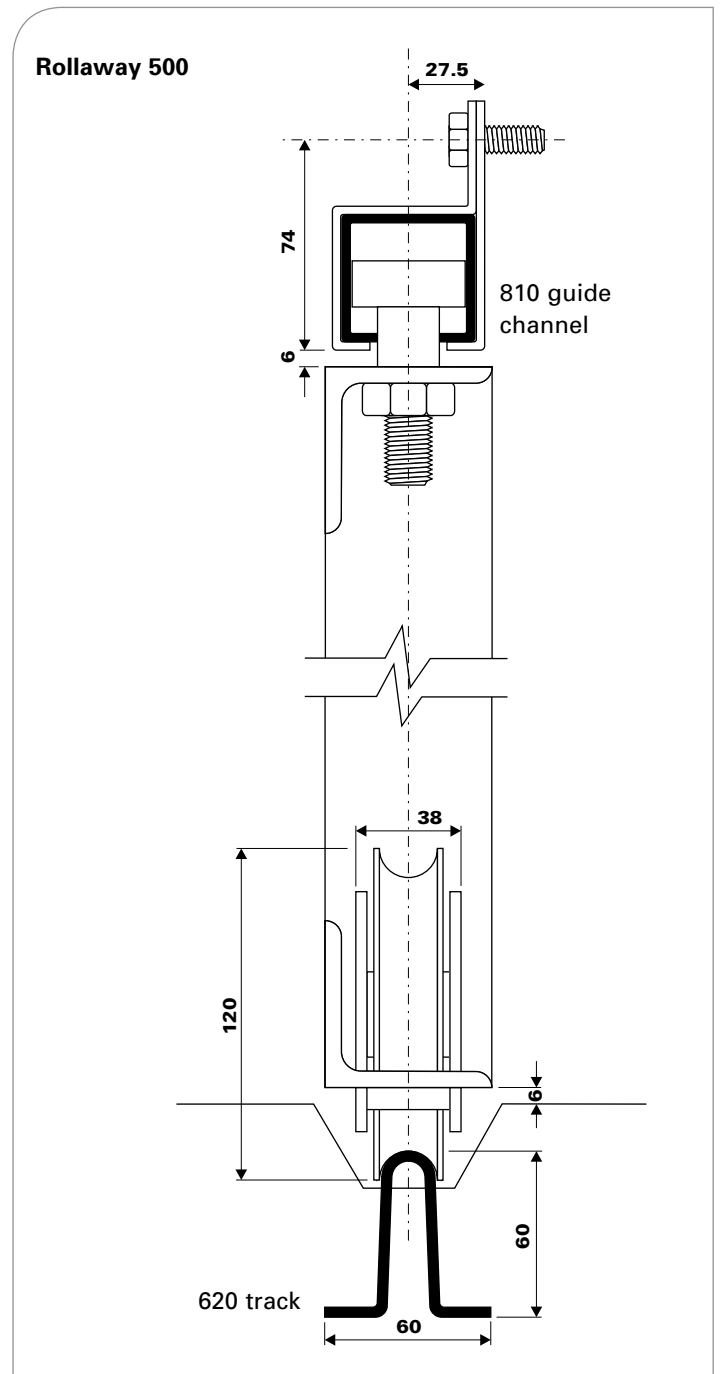
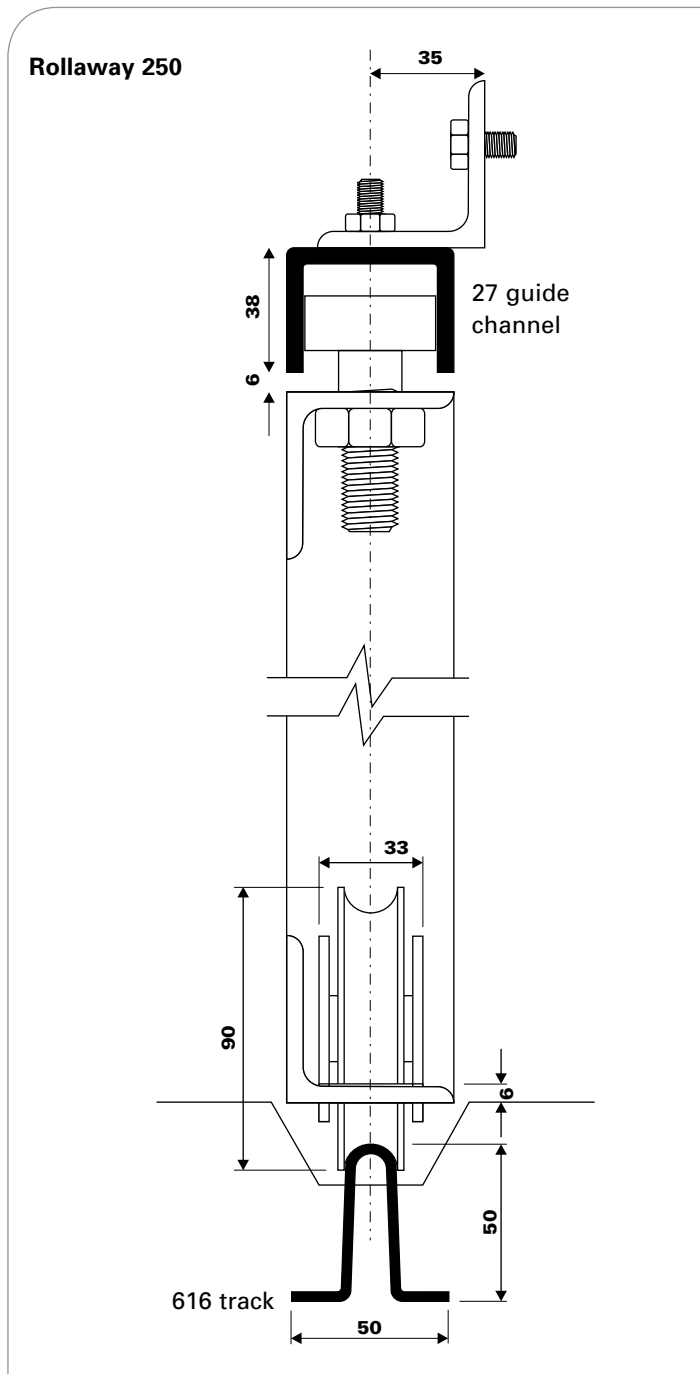


| Series                 | 250     | 500     |
|------------------------|---------|---------|
| Maximum door weight    | 250 kg  | 500 kg  |
| Maximum door width     | 2000 mm | 3000 mm |
| Maximum door height    | 3500 mm | 4000 mm |
| Minimum door thickness | 44 mm   | 50 mm   |

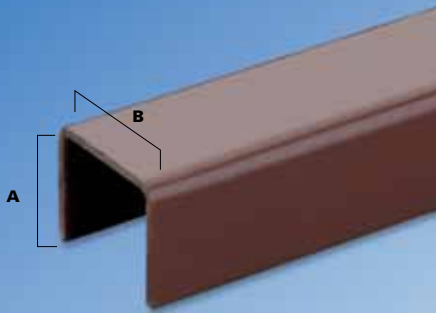
Bottom Rolling door system designed for medium and large size industrial and commercial steel doors. If your application is agricultural we would recommend Series 500. Not recommended for high wind load areas.



**Ideal for: Agricultural and industrial applications**



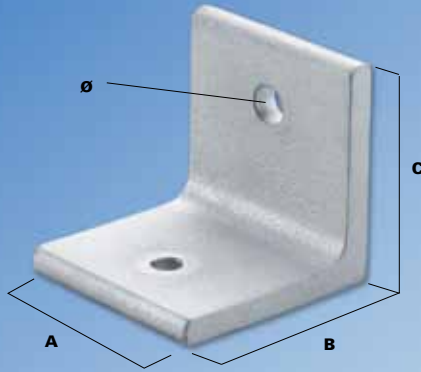




**250 Top Guide Channel 27**

Steel - Red Oxide paint finish.  
Stock length 3000mm

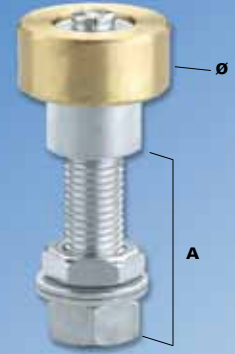
A 38 mm B 51 mm



**250 Side Fix Bracket A27**

Fix at 600mm spacings.  
Use with channel 27

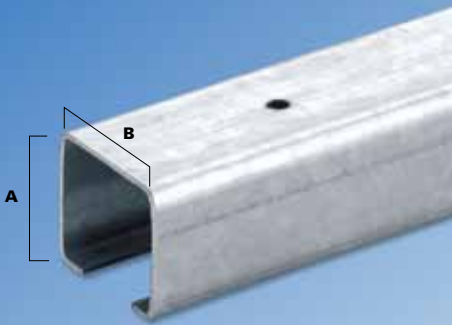
A 50 mm B 50mm C 50mm Ø 11mm



**250 Guide Roller 48/27B**

Fit 2 per door.  
Use with channel 27

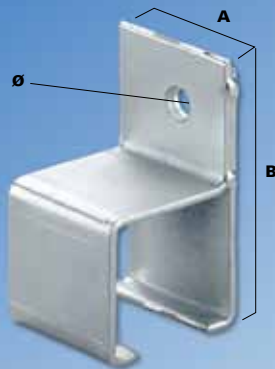
A M16 x 50mm Ø 40 mm



**500 Top Guide Channel 810**

Galvanised Steel.  
Stock Length 3000mm

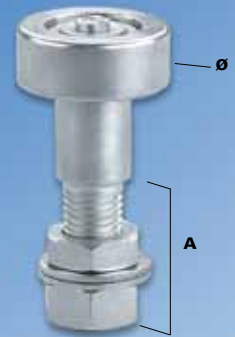
A 46 mm B 48 mm



**500 Side Fix Bracket A810**

Fit at 600mm spacings.  
Use with channel 810

A 50 mm B 92 mm Ø 11mm



**500 Guide Roller 0831**

Fit 2 Per Door.  
Use with channel 810

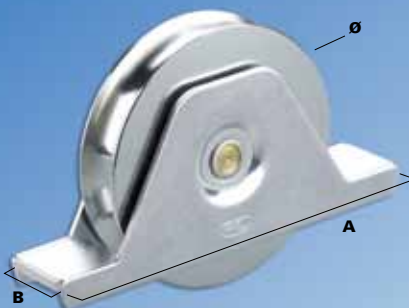
A M16 x 40mm Ø 40mm



**Track 616 / 620**

Galvanised Steel.  
Shown above with coupling plate.

616Track (250) 616G Coupling Plate  
620Track (500) 620G Coupling Plate



**Rollers 107/16 And 207/20**

Fit 2 per door.  
Use 107/16 Roller with 616 track (250)  
Use 207/20 Roller with 620 track (500)

107/16 A 135 mm B 33 mm Ø 90 mm  
207/20 B 185 mm B 38 mm Ø 120 mm



**Ground Mounted Door Stop 116AP**

Fitted with integral spring damper  
Suitable for both 250 and 500 systems.

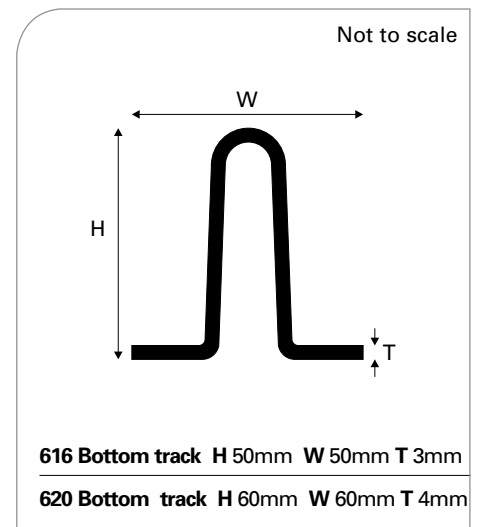
A 110 mm B 110 mm C 103 mm D 150mm

# Rollaway gate system

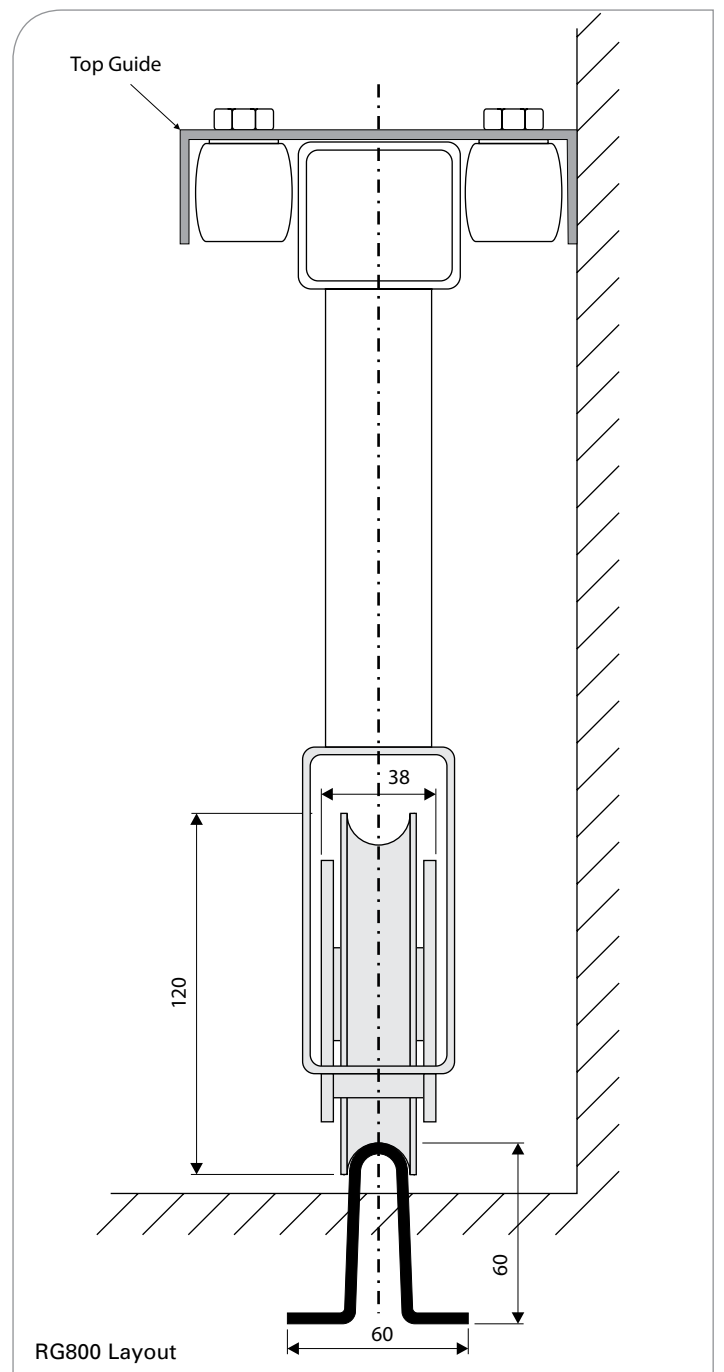
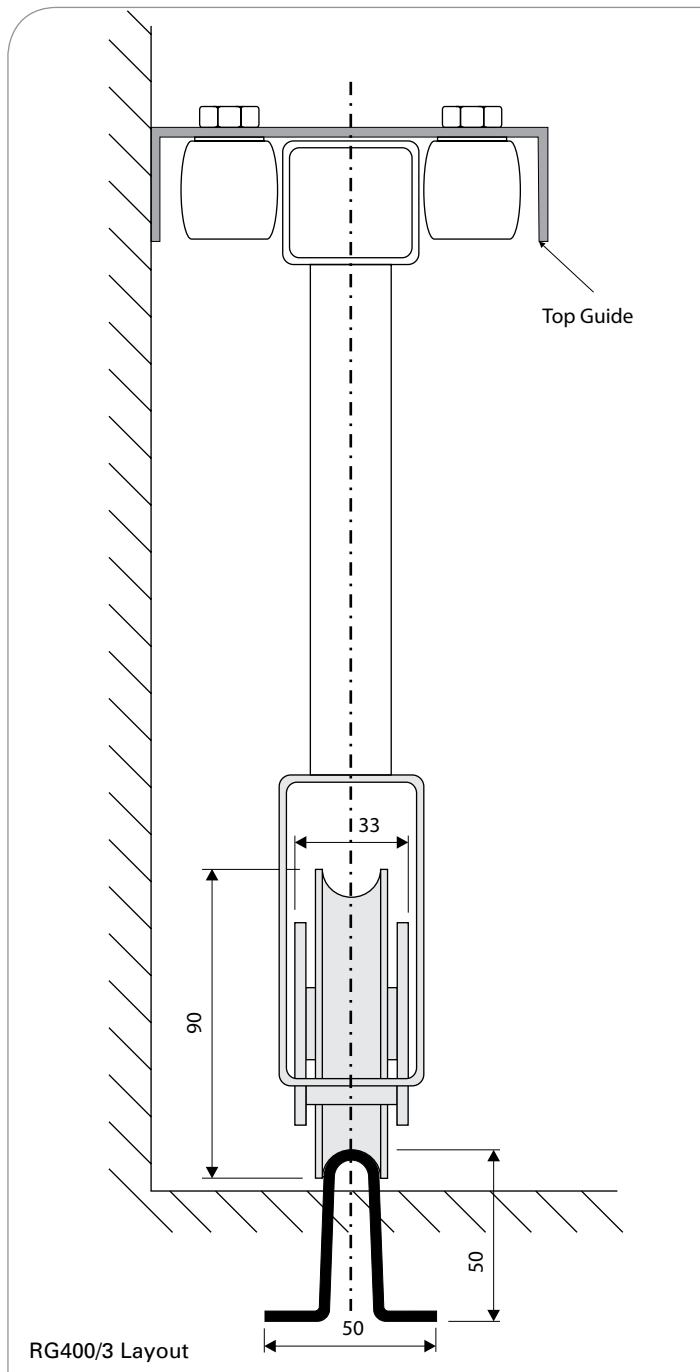


|                        | RG400/3 | RG800/45 | RG800/6 |
|------------------------|---------|----------|---------|
| Maximum gate weight    | 400 kg  | 800 kg   | 800 kg  |
| Maximum opening width  | 3000 mm | 4500 mm  | 6000 mm |
| Maximum gate thickness | 50 mm   | 60 mm    | 60 mm   |

Bottom rolling gate hardware for gates. Supplied in kits comprising of bottom track, 2 bottom rollers, 1 top guide, 1 location shoe and 2 gate stops. All components are available separately. A sliding gate lock is available and is shown on page 27.

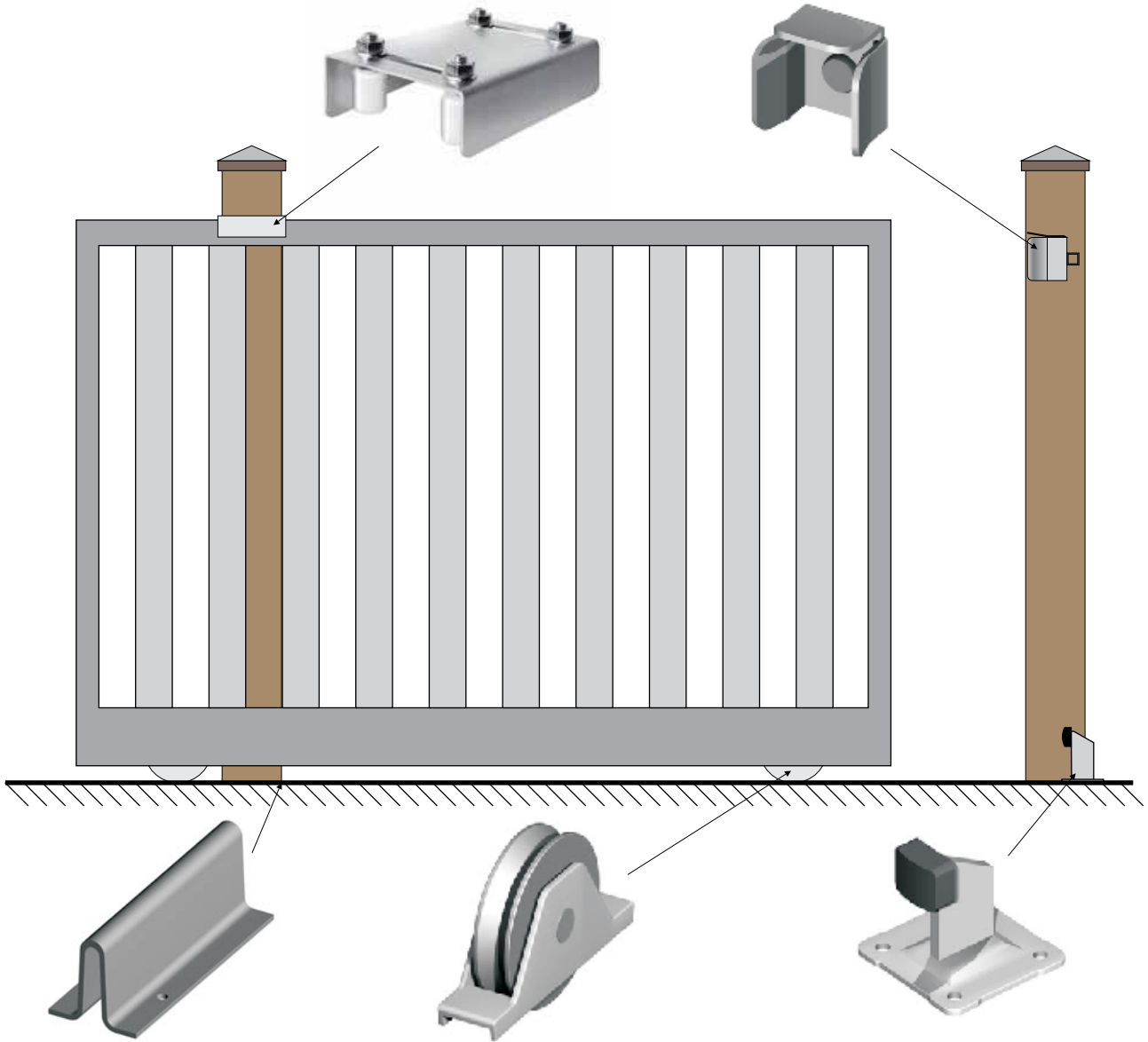


**Ideal for: Heavy duty metal sliding gates**





**Standard hardware kit layout**



Also on opposite end where gate rests when open.



**Track 616 / 620**

Galvanised Steel. Stock length 3000 mm  
Shown above with coupling plate.

616 Track (250) 616G Coupling Plate  
620 Track (500) 620G Coupling Plate

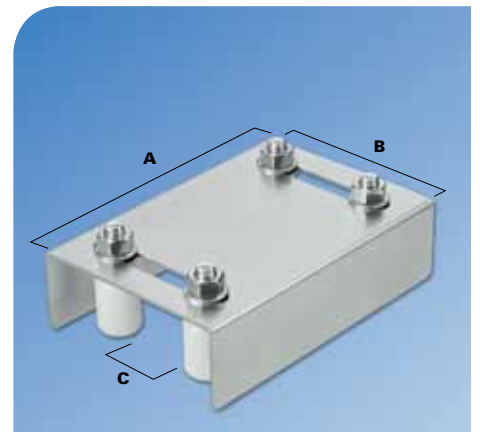


**Rollers 107/16 And 207/20**

Fit 2 per gate.

Use 107/16 Roller with 616 track (400)  
Use 207/20 Roller with 620 track (800)

**107/16** A 135 mm B 33 mm Ø 90 mm  
**207/20** B 185 mm B 38 mm Ø 120 mm



**Adjustable Post Guides 222 / 223**

Galvanised steel with nylon rollers  
Post mounted

**222 Guide (400)** A 220mm B 150 mm C 70mm  
**223 Guide (800)** A 300mm B 210mm C 110mm

# Sliding gate accessories



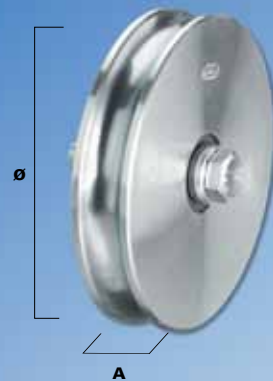
In addition to those shown on these two pages, we stock many other sliding gate accessories. Please contact our sales office with your requirements.



**Wheel 101/16**

Fit 2 per gate. To suit Track 616 - see page 20. Max gate weight 400 kg

A 120 mm B 36 mm Ø 75 mm



**Wheel 457**

Fit 2 per gate. To suit Track 620 - see page 20. Max gate weight 1200 kg

A 32mm Ø 160 mm



**Guide Roller 412**

Galvanised steel M10 bolt. Nylon roller.

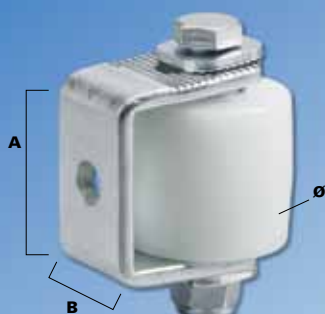
A 30 mm Ø 34 mm



**Guide Roller 118**

Galvanised steel M16 bolt. Nylon roller.

A 60 mm B 41 mm Ø 40 mm



**Guide Roller 166S**

Galvanised steel. Nylon roller.

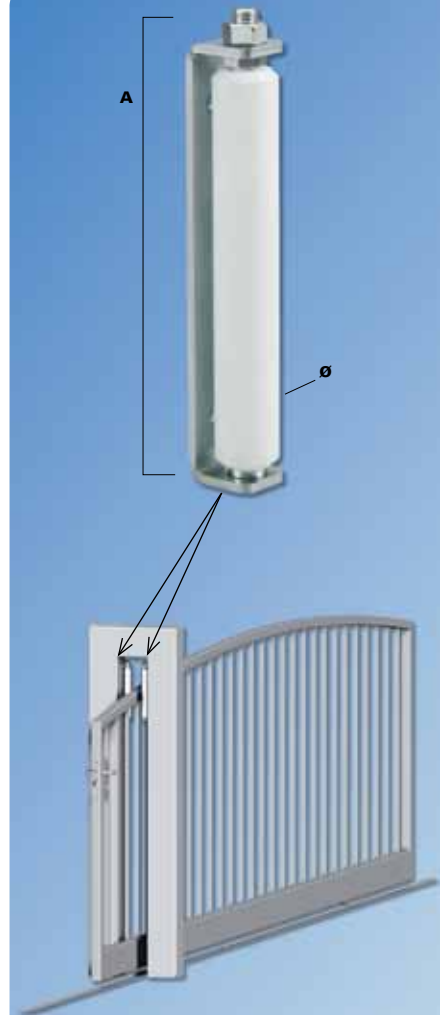
A 61 mm B 35 mm Ø 52 mm



**Guide Roller 119**

Galvanised steel M20 bolt. Nylon roller.

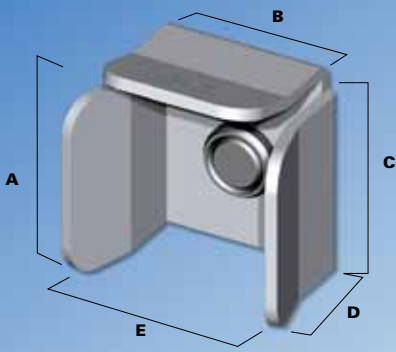
A 60 mm B 65 mm Ø 60 mm



**Guide Roller 118.5**

Galvanised steel. Nylon roller.

A 299 mm Ø 40 mm

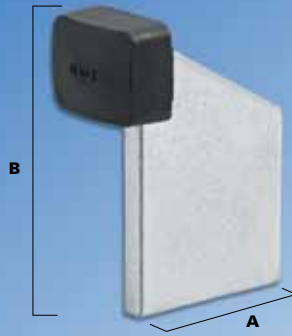


**Safety Strike 357.50**

Steel with rubber buffer roller.

Weld fix

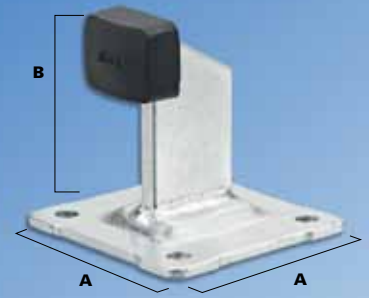
A 74 mm B 62 mm C 69mm D 49mm E 76mm



**Gate Stop 116**

Galvanised steel with rubber buffer roller. Weld fix to track

A 70 mm B 115 mm



**Gate Stop 116P / 116GP**

Galvanised steel with rubber buffer.

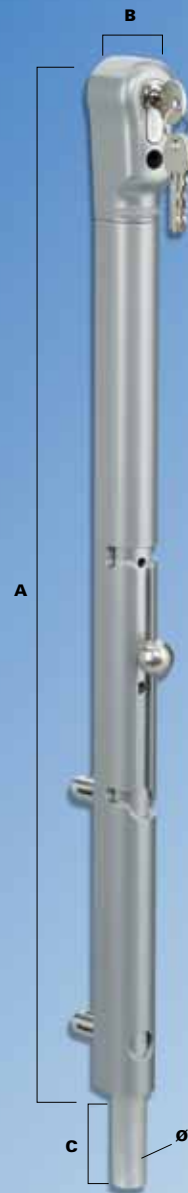
**116P** A 110 x 110 mm B 108 mm

**116GP** A 110 x 130 mm B 121 mm



**Locinox Sliding Gate Lock LSKZ U2 shown with SSKZ Sliding Gate Keep**

Please contact our sales office for further information.  
Not suitable for Cantilever gates.



**Locidrop Bolt**

A 578 mm B 38 mm C 150 mm Ø 20 mm

# Cantilever gate systems



| Series                | 900   | 1010L | 1000 | 2000 | 3010L |
|-----------------------|-------|-------|------|------|-------|
| Maximum opening width | 4.5 m | 6 m   | 6 m  | 9 m  | 12 m  |

For all other parameters see page 25

Cantilever systems are designed for applications where sliding gates are required but the installation of a ground track is neither possible or desirable.

A system consists of:

Running track - mounted under the gate

2 x Bottom rollers - fixed to the concrete base

2 x End guides - mounted in the running track

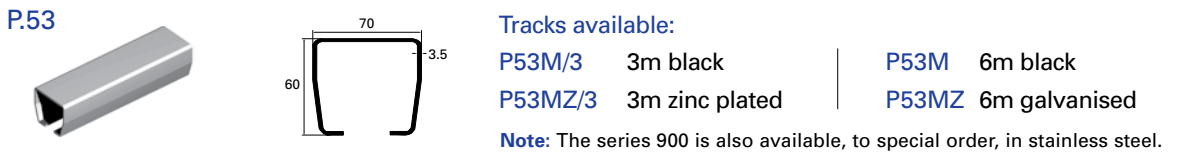
2 x End guide receivers/stops

1 x Top guide system

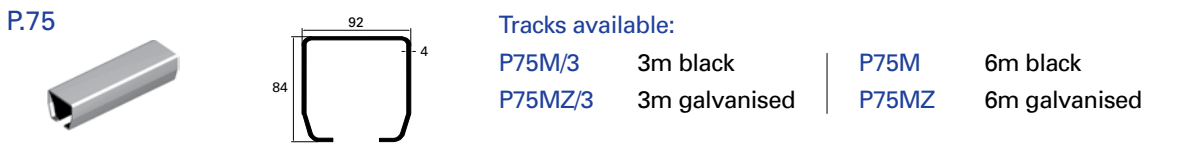
Please note that all components must be fitted for the correct operation of the system. The basic components are shown on the opposite page and a comprehensive range of top guides are shown on page 26.



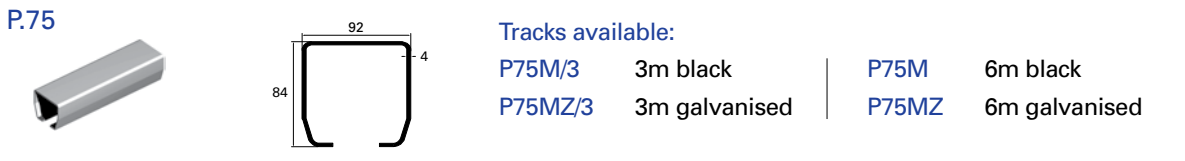
## Series 900



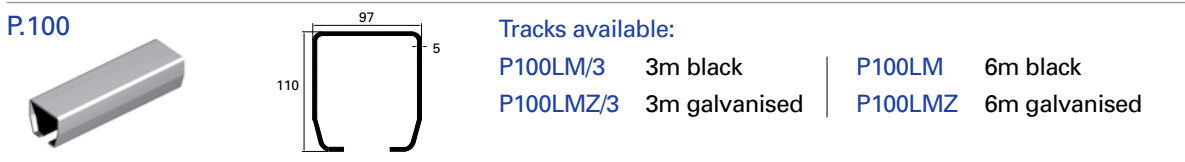
## Series 1010L



## Series 1000



## Series 2000



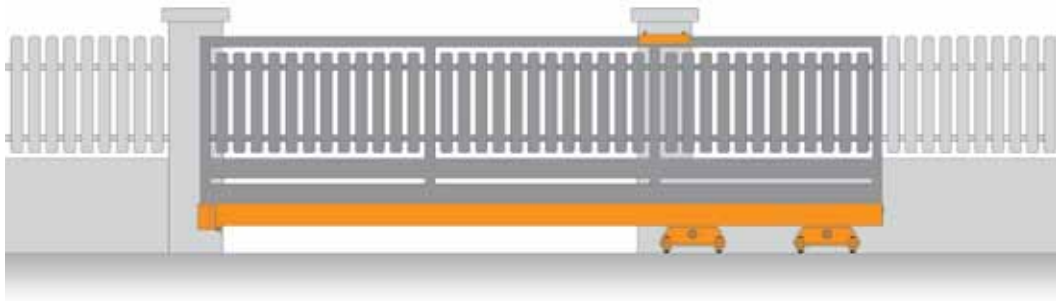
## Series 3010L



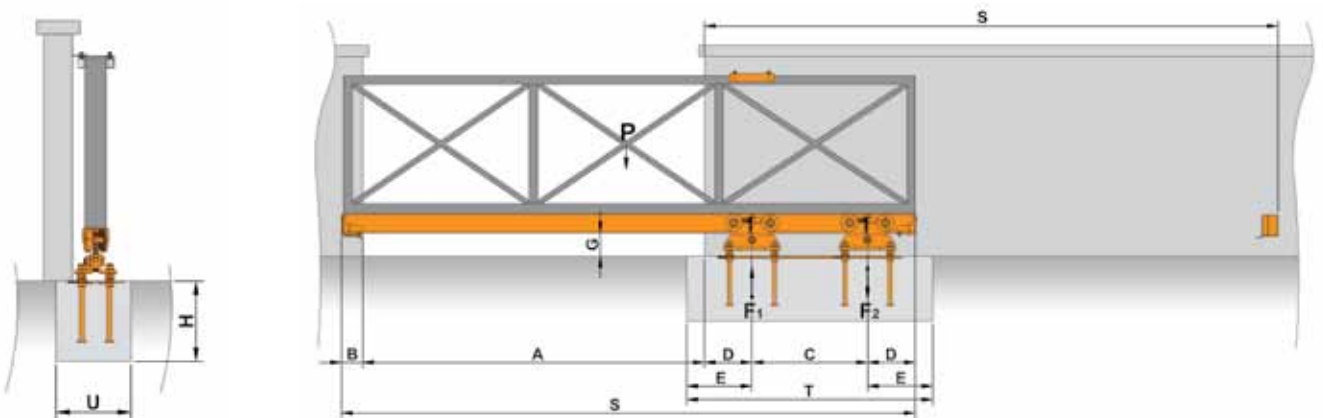
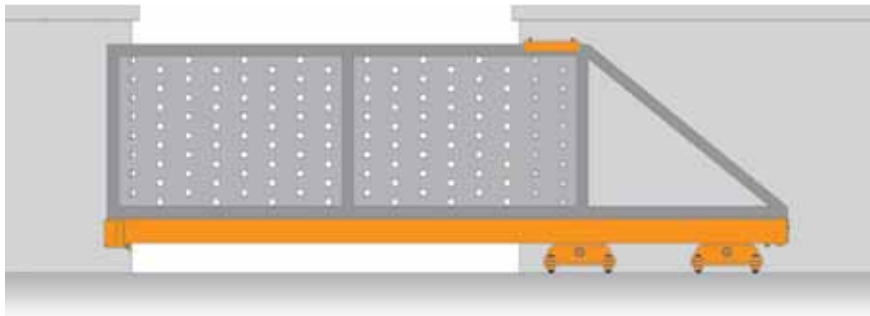
## Legend

|                |   |
|----------------|---|
| P max (kg):    | total weight of the gate (including track).                 |
| A (m):         | overall opening.  |
| S (m):         | total length of the gate.                                   |
| C (m):         | distance between the centres of the rollers.                |
| F1 max (kg):   | maximum acting load for best roller performance.            |
| F2 (kg):       | traction force (reaction to balance the cantilevered part). |
| B (m):         | space required for the receivers.                           |
| D (m):         | space required for housing the end wheel.                   |
| Z min (kg):    | minimum weight of the concrete base.                        |
| TxUxH min (m): | minimum dimension of the cement base.                       |

### Gate with continuous overhang



### Gate with angle braced overhang



The calculations are based on a ratio  $\frac{A}{C} = 2.5$  which is the recommended installation.

For differing data please contact our sales office on 01708 891 515.

All tracks are available in 3m and 6m lengths.



## Series 900

| Dimensions |       |       | TxUxH min (m)  | Gate with continuous overhang |                |                          | Gate with angle braced overhang |                |                          |
|------------|-------|-------|----------------|-------------------------------|----------------|--------------------------|---------------------------------|----------------|--------------------------|
| A (m)      | C (m) | S (m) |                | Pmax<br>255 kg                | Zmin<br>510 kg | Pmax kg<br>without track | Pmax<br>190 kg                  | Zmin<br>675 kg | Pmax kg<br>without track |
| 1,5        | 0,60  | 2,6   | 1,10x0,40x0,40 |                               |                | 233                      |                                 |                | 168                      |
| 2          | 0,80  | 3,3   | 1,30x0,40x0,40 |                               |                | 227                      |                                 |                | 162                      |
| 2,5        | 1,00  | 4,0   | 1,50x0,40x0,40 |                               |                | 223                      |                                 |                | 158                      |
| 3          | 1,20  | 4,7   | 1,70x0,40x0,40 |                               |                | 216                      |                                 |                | 151                      |
| 3,5        | 1,40  | 5,4   | 1,90x0,40x0,40 |                               |                | 212                      |                                 |                | 147                      |
| 4          | 1,60  | 6,1   | 2,10x0,40x0,40 |                               |                | 206                      |                                 |                | 141                      |
| 4,5        | 1,80  | 6,8   | 2,30x0,40x0,40 |                               |                | 202                      |                                 |                | 137                      |

fixed data: F1max (kg) 450 D (m) 0,195 B (m) 0,110 Gmin (m) 0,05 Emin (m) 0,25

## Series 1010L

| Dimensions |       |       | TxUxH min (m) | Gate with continuous overhang |                |                          | Gate with angle braced overhang |                 |                          |
|------------|-------|-------|---------------|-------------------------------|----------------|--------------------------|---------------------------------|-----------------|--------------------------|
| A (m)      | C (m) | S (m) |               | Pmax<br>425 kg                | Zmin<br>850 kg | Pmax kg<br>without track | Pmax<br>320 kg                  | Zmin<br>1130 kg | Pmax kg<br>without track |
| 3          | 1,20  | 4,8   | 1,9x0,60x0,60 |                               |                | 369                      |                                 |                 | 264                      |
| 3,5        | 1,40  | 5,5   | 2,1x0,60x0,60 |                               |                | 363                      |                                 |                 | 258                      |
| 4          | 1,60  | 6,2   | 2,3x0,60x0,60 |                               |                | 355                      |                                 |                 | 250                      |
| 4,5        | 1,80  | 6,9   | 2,5x0,60x0,60 |                               |                | 349                      |                                 |                 | 244                      |
| 5          | 2,00  | 7,6   | 2,7x0,60x0,60 |                               |                | 340                      |                                 |                 | 235                      |
| 5,5        | 2,20  | 8,3   | 2,9x0,60x0,60 |                               |                | 334                      |                                 |                 | 229                      |
| 6          | 2,40  | 9,0   | 3,1x0,60x0,60 |                               |                | 325                      |                                 |                 | 220                      |

Fixed data: F1max (kg) 750 D (m) 0,260 B (m) 0,115 Gmin (m) 0,08 Emin (m) 0,35

## Series 1000

| Dimensions |       |       | TxUxH min (m)  | Gate with continuous overhang |                 |                          | Gate with angle braced overhang |                 |                          |
|------------|-------|-------|----------------|-------------------------------|-----------------|--------------------------|---------------------------------|-----------------|--------------------------|
| A (m)      | C (m) | S (m) |                | Pmax<br>565 kg                | Zmin<br>1110 kg | Pmax kg<br>without track | Pmax<br>425 kg                  | Zmin<br>1490 kg | Pmax kg<br>without track |
| 3          | 1,20  | 4,8   | 1,90x0,60x0,60 |                               |                 | 509                      |                                 |                 | 369                      |
| 3,5        | 1,40  | 5,5   | 2,10x0,60x0,60 |                               |                 | 503                      |                                 |                 | 363                      |
| 4          | 1,60  | 6,2   | 2,30x0,60x0,60 |                               |                 | 495                      |                                 |                 | 355                      |
| 4,5        | 1,80  | 6,9   | 2,50x0,60x0,60 |                               |                 | 489                      |                                 |                 | 349                      |
| 5          | 2,00  | 7,6   | 2,70x0,60x0,60 |                               |                 | 480                      |                                 |                 | 340                      |
| 5,5        | 2,20  | 8,3   | 2,90x0,60x0,60 |                               |                 | 474                      |                                 |                 | 334                      |
| 6          | 2,40  | 9,0   | 3,10x0,60x0,60 |                               |                 | 465                      |                                 |                 | 325                      |

Fixed data: F1max (kg) 1000 D (m) 0,260 B (m) 0,115 Gmin (m) 0,08 Emin (m) 0,35

## Series 2000

| Dimensions |       |       | TxUxH min (m)  | Gate with continuous overhang |                 |                          | Gate with angle braced overhang |                 |                          |
|------------|-------|-------|----------------|-------------------------------|-----------------|--------------------------|---------------------------------|-----------------|--------------------------|
| A (m)      | C (m) | S (m) |                | Pmax<br>850 kg                | Zmin<br>1655 kg | Pmax kg<br>without track | Pmax<br>645 kg                  | Zmin<br>2210 kg | Pmax kg<br>without track |
| 3          | 1,20  | 4,9   | 2,10x0,80x0,80 |                               |                 | 756                      |                                 |                 | 551                      |
| 4          | 1,60  | 6,3   | 2,50x0,80x0,80 |                               |                 | 731                      |                                 |                 | 526                      |
| 5          | 2,00  | 7,7   | 2,90x0,80x0,80 |                               |                 | 706                      |                                 |                 | 501                      |
| 6          | 2,40  | 9,1   | 3,30x0,80x0,80 |                               |                 | 681                      |                                 |                 | 476                      |
| 7          | 2,80  | 10,5  | 3,70x0,80x0,80 |                               |                 | 656                      |                                 |                 | 451                      |
| 8          | 3,20  | 11,9  | 4,10x0,80x0,80 |                               |                 | 631                      |                                 |                 | 426                      |
| 9          | 3,60  | 13,3  | 4,50x0,80x0,80 |                               |                 | 606                      |                                 |                 | 401                      |

Fixed data: F1max (kg) 1500 D (m) 0,290 B (m) 0,115 Gmin (m) 0,08 Emin (m) 0,45

## Series 3010L

| Dimensions |       |       | TxUxH min (m) | Gate with continuous overhang |                 |                          | Gate with angle braced overhang |                 |                          |
|------------|-------|-------|---------------|-------------------------------|-----------------|--------------------------|---------------------------------|-----------------|--------------------------|
| A (m)      | C (m) | S (m) |               | Pmax<br>1785 kg               | Zmin<br>3665 kg | Pmax kg<br>without track | Pmax<br>1385 kg                 | Zmin<br>4640 kg | Pmax kg<br>without track |
| 6          | 2,40  | 9,5   | 3,1x0,60x0,60 |                               |                 | 1508                     |                                 |                 | 1108                     |
| 7          | 2,80  | 10,9  | 3,5x0,60x0,60 |                               |                 | 1468                     |                                 |                 | 1068                     |
| 8          | 3,20  | 12,3  | 3,9x0,60x0,60 |                               |                 | 1428                     |                                 |                 | 1028                     |
| 9          | 3,60  | 13,7  | 4,3x0,60x0,60 |                               |                 | 1388                     |                                 |                 | 988                      |
| 10         | 4,00  | 15,1  | 4,7x0,60x0,60 |                               |                 | 1348                     |                                 |                 | 948                      |
| 11         | 4,40  | 16,5  | 5,1x0,60x0,60 |                               |                 | 1308                     |                                 |                 | 908                      |
| 12         | 4,80  | 17,9  | 5,5x0,60x0,60 |                               |                 | 1268                     |                                 |                 | 868                      |

Fixed data: F1max (kg) 3200 D (m) 0,40 B (m) 0,155 Gmin (m) 0,10 Emin (m) 0,60



Vistafold installation on Tithe Barn entrance





# Commercial & residential

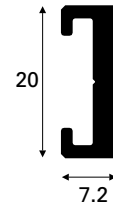
# Linear



|                                  |          |
|----------------------------------|----------|
| Maximum panel door weight        | 15 kg    |
| Maximum panel door width         | 1000 mm  |
| Maximum panel door height        | 1500 mm  |
| Recommended panel door thickness | 16-24 mm |

Linear is ideal for wall mounted display boards. With unobtrusive silver anodised rails and polyethylene slides, Linear provides a very smooth quiet operation. Rails are available in 2000mm lengths and you need two rails (1 top and 1 bottom) together with 4 Slides (2 top and bottom). Can also be used on small cabinet doors with tracks mounted above and below on the door centreline. The slides require M4 Fixings (by others). All components sold separately.

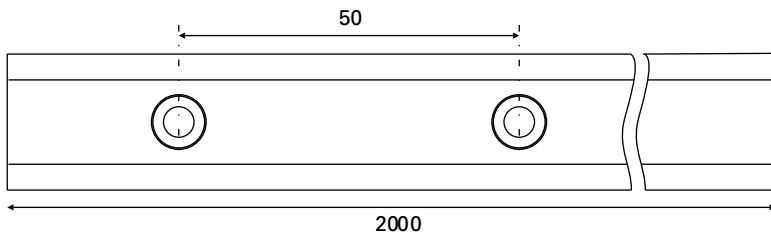
Not to scale



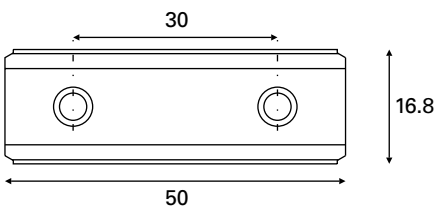
Track length available: 2000mm

**Ideal for: Noticeboards, display panels and screens**

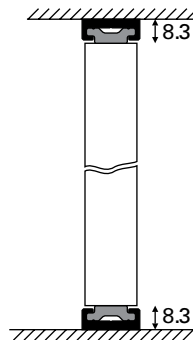
## Linear Slide Rail



## Linear Slide



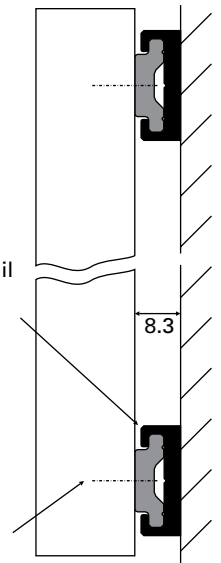
Holes are threaded to suit M4 fixings



Rails can be recessed into top and bottom for minimal gap.

To increase the normal gap from door to rail use packing to suit

M4 Fixings by others



## Linear Slide Rail

2 required per panel. Silver Anodised Finish. Available in 2000mm lengths



## Linear Slides

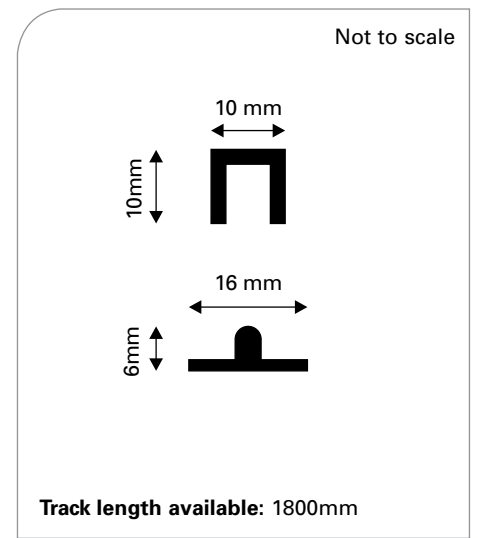
4 required per panel. Grey Polyethylene with grade 304 Stainless M4 Inserts

# Hatch timber

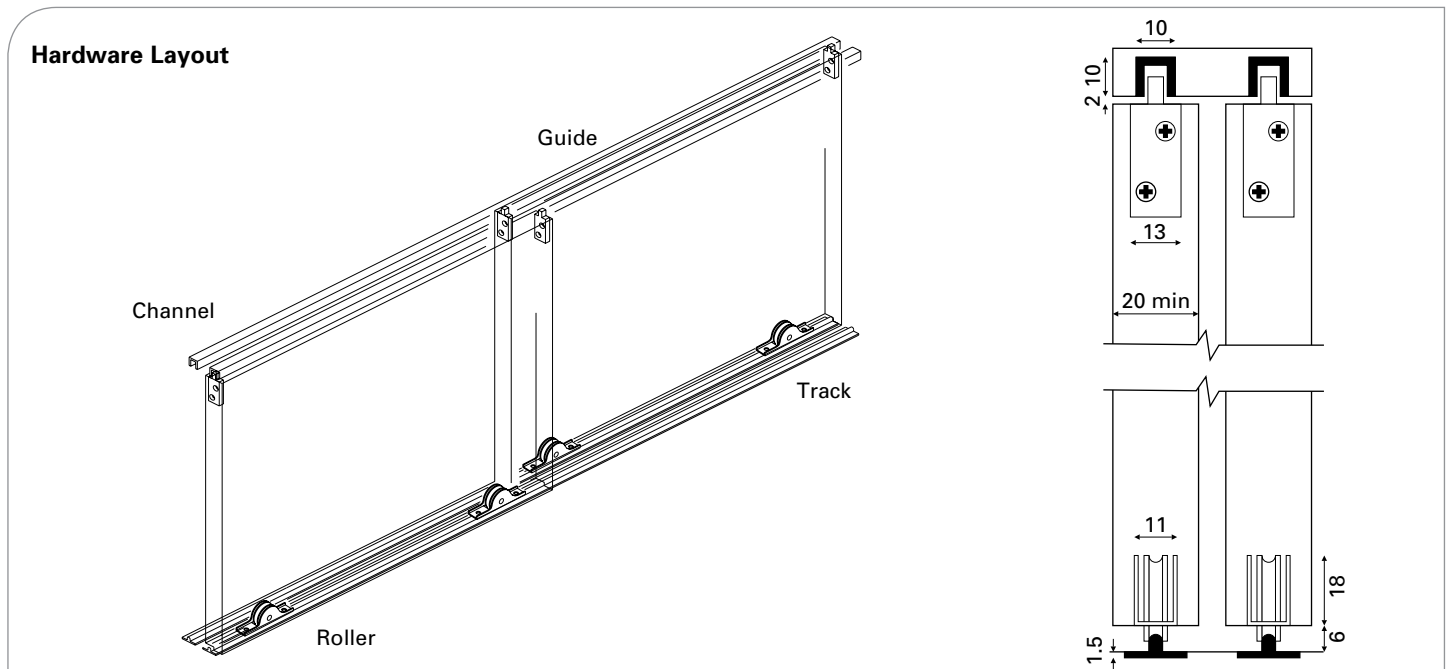


|                                       |         |
|---------------------------------------|---------|
| Number of doors                       | 2       |
| Maximum door weight                   | 20 kg   |
| Maximum door width (excludes overlap) | 900 mm  |
| Maximum opening width                 | 1800 mm |
| Maximum door height                   | 1000 mm |
| Minimum door thickness                | 20 mm   |

Bottom rolling, bi-passing, sliding system for a pair of cabinet or light cupboard doors. The tracks are precision, aluminium profiles and the concealed bottom rollers have nylon tyres and sealed ball bearings. The system is supplied as a kit with either Silver or Gold anodised tracks and channels.



**Ideal for: Light cabinets and cupboards**

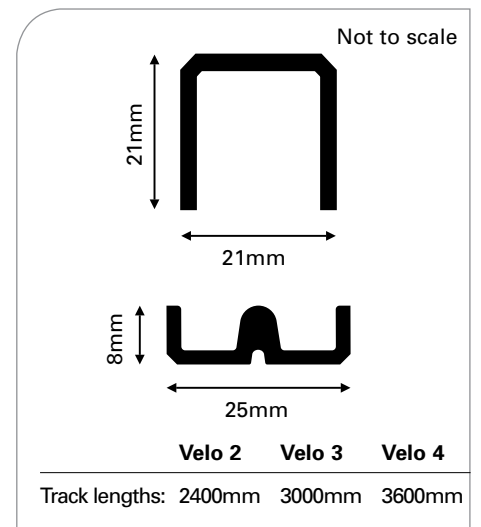




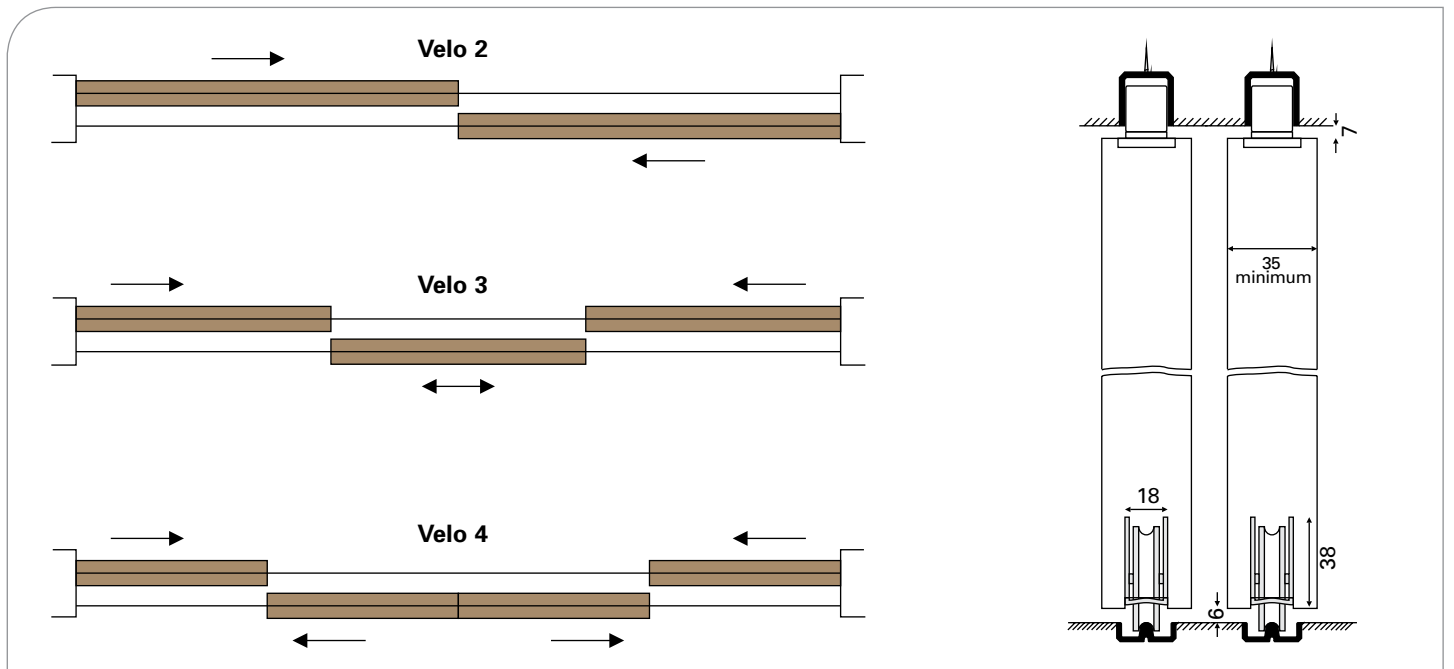
|                        | Velo 2  | Velo 3  | Velo 4  |
|------------------------|---------|---------|---------|
| Number of doors        | 2       | 3       | 4       |
| Maximum door weight    | 55 kg   | 55 kg   | 55 kg   |
| Maximum door width*    | 1200 mm | 1000 mm | 900 mm  |
| Maximum opening width  | 2400 mm | 3000 mm | 3600 mm |
| Maximum door height    | 2100 mm | 2100 mm | 2100 mm |
| Minimum door thickness | 35 mm   | 35 mm   | 35 mm   |

\* Excludes overlap

Bottom rolling, bi-passing sliding door system for full height cupboard or wardrobe doors. The tracks are precision aluminium profiles and the concealed bottom rollers have nylon wheels. The system is supplied in kits. Please specify either Silver or Gold anodised tracks, channels and handles. Locking flush bolts available - see page 60.



**Ideal for: Wardrobes and cupboards**



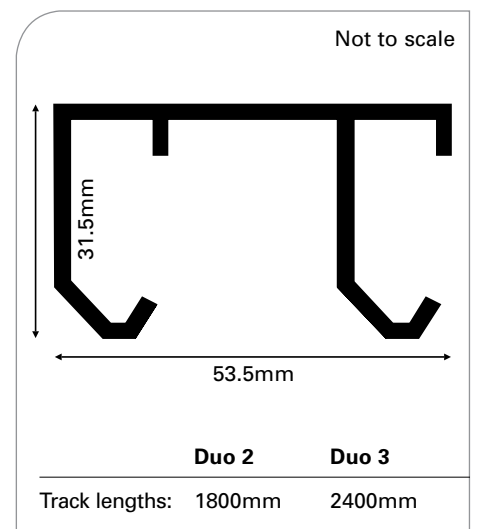


# Duo

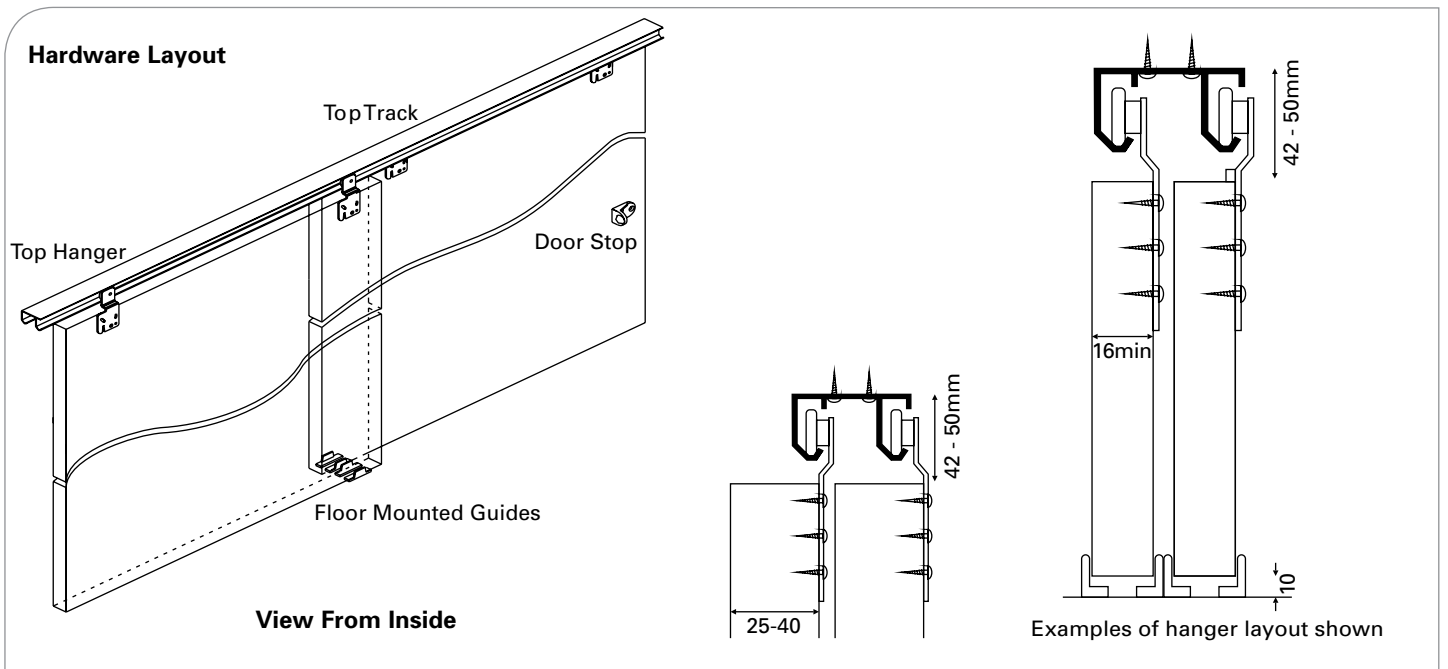


|                                       | Duo 2   | Duo 3   |
|---------------------------------------|---------|---------|
| Number of doors                       | 2       | 3       |
| Maximum door weight                   | 45 kg   | 45 kg   |
| Maximum door width (excludes overlap) | 900 mm  | 800 mm  |
| Maximum opening width                 | 1800 mm | 2400 mm |
| Maximum door height                   | 2100 mm | 2100 mm |
| Minimum door thickness                | 16 mm   | 16 mm   |

Sliding door system for bi-passing, full height, wardrobe or cupboard doors. The track is a precision aluminium anodised dual profile and the hangers have nylon tyres and sealed ball bearings. The system is supplied as a kit - please specify Silver or Gold anodised handles.



**Ideal for: Wardrobes and cupboards**

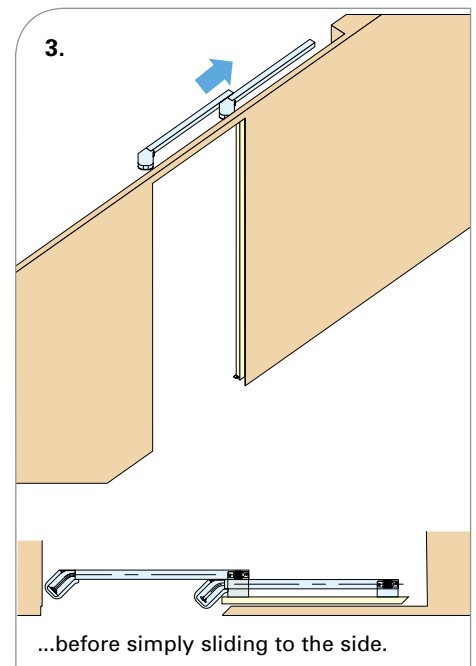
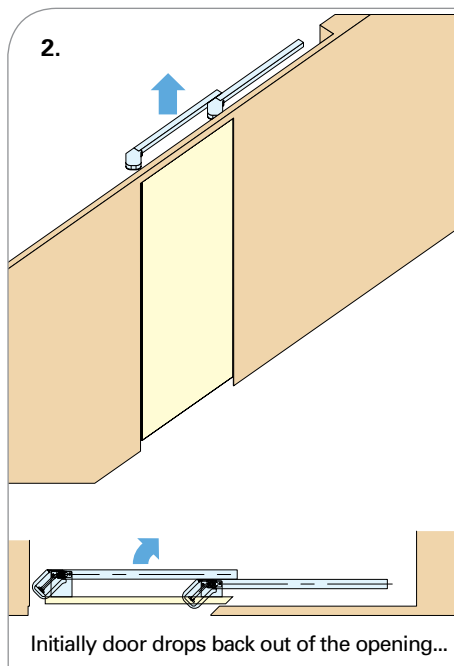
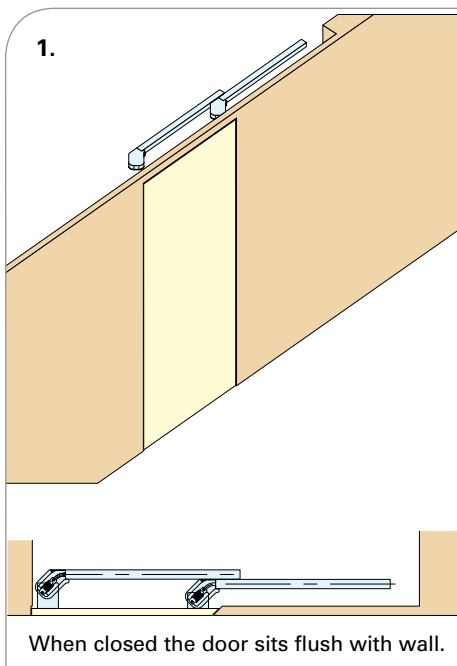
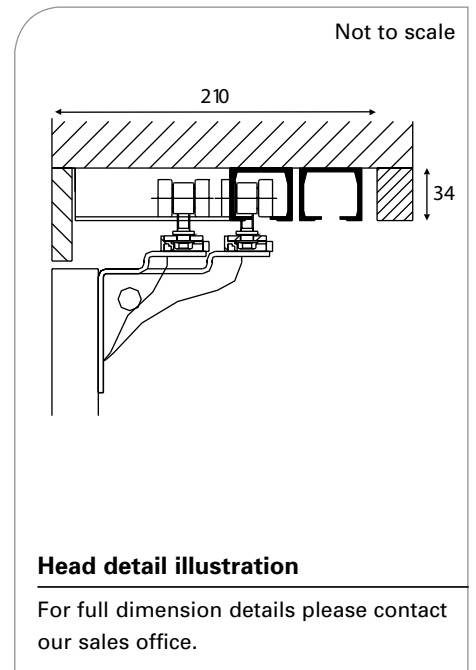


# Flush



|                            |             |
|----------------------------|-------------|
| Number of doors            | 1           |
| Maximum door weight        | 30 kg       |
| Maximum door width         | 800-1000 mm |
| Maximum opening width      | 1000 mm     |
| Maximum door height        | 2500 mm     |
| Recommended door thickness | 30 mm       |

Suitable for walk in cupboards in shops and other applications, this system allows a sliding door to close into the opening thus creating a flush finish with its surroundings. With one motion the door retracts back and slides along the adjacent wall. Also features a catch that pulls the door to the closed position. No bottom track is required giving a clean appearance and no hardware is seen on the closing face of the door.



# Lateral



| System  | S20        | S54 and S44 |
|---|------------|-------------|
| Maximum door weight   | 20 kg      | 35 kg       |
| Door width <small>(Inside cabinet width S20)</small>          | 500-550 mm | 750-800 mm  |
| Maximum door height <small>(Inside cabinet width S20)</small> | 2420 mm    | 2380 mm     |
| Recommended door thickness                                    | 18-24 mm   | 24-38 mm    |

Lateral door systems are a space saving solution allowing you to open a door without it either swinging in to a walkway or sliding along a wall and taking up valuable space. Working in a similar way to the access door on a coach, it is ideal for kitchens, shops, bathrooms, walk in wardrobes and much more.

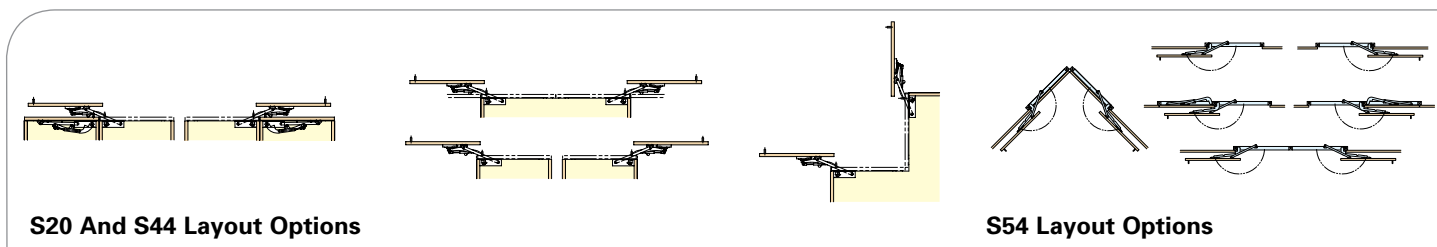
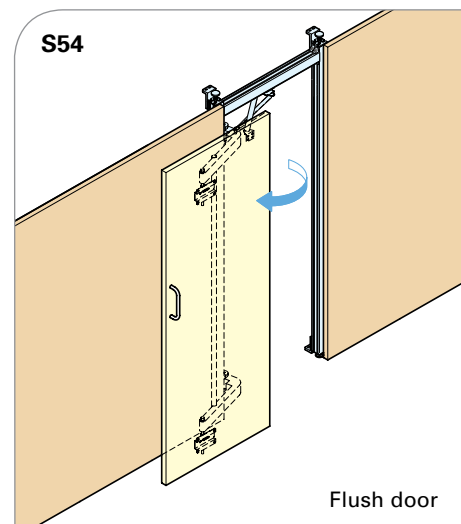
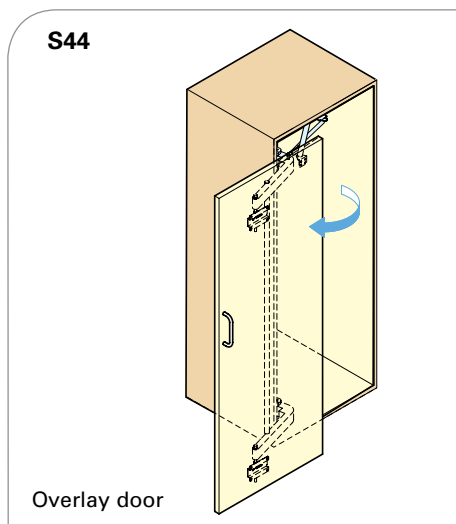
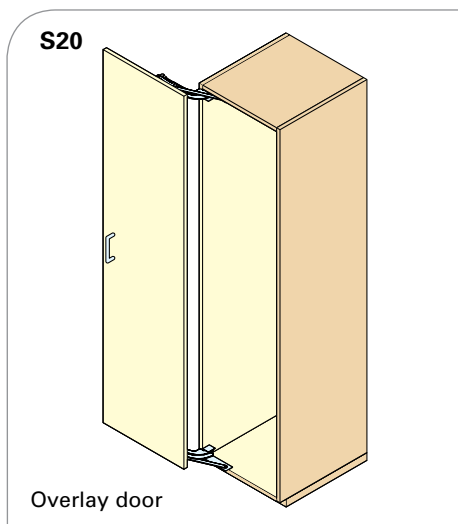
The S54 kit is designed for a walkway and comes with a self supporting aluminium frame to be incorporated into a partition. This allows for an inset door that finishes flush with the adjoining partition face. The S44 and S20 kits are for cabinets with overlay doors. All systems come with all required fixings, are fully adjustable and require no floor channel.



S20 Kits in kitchen environment



S54 Kits in retail environment

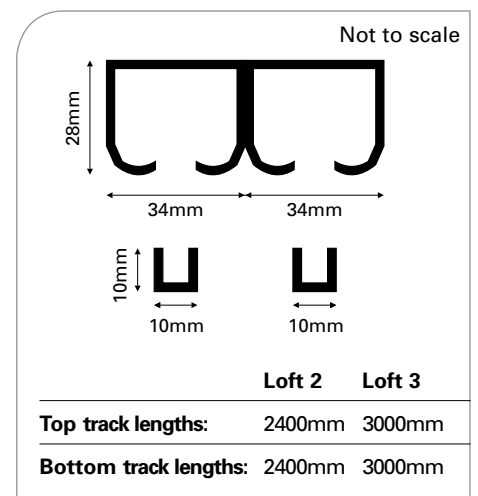


# Loft



|                                       | Loft 2  | Loft 3  |
|---------------------------------------|---------|---------|
| Number of doors                       | 2       | 3       |
| Maximum door weight                   | 75 kg   | 75 kg   |
| Maximum door width (excludes overlap) | 1200 mm | 1000 mm |
| Maximum opening width                 | 2400 mm | 3000 mm |
| Maximum door height                   | 2100 mm | 2100 mm |
| Minimum door thickness                | 16 mm   | 16 mm   |

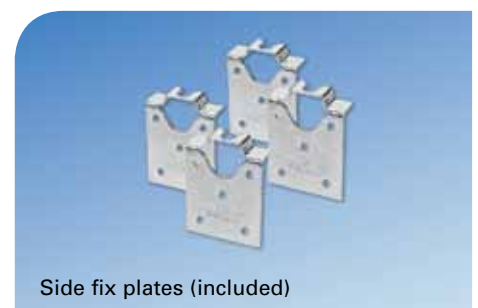
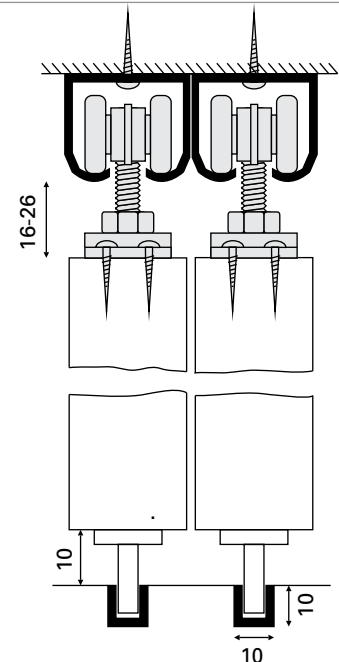
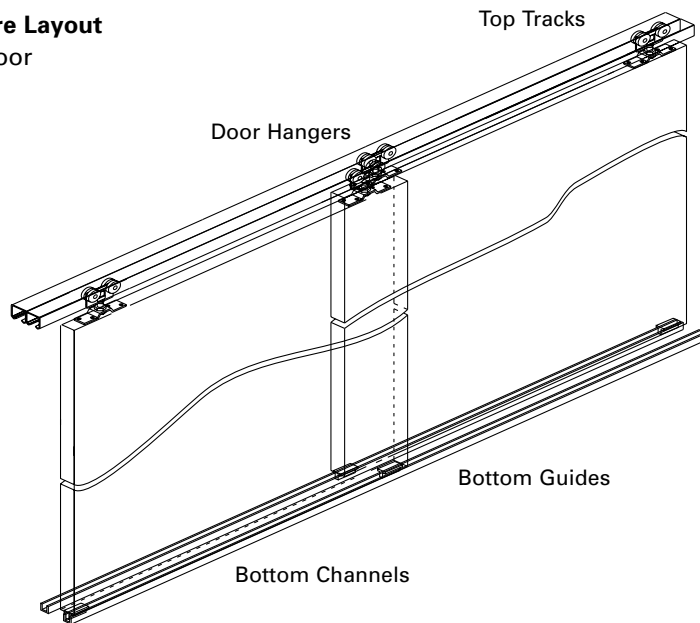
Sliding door system for high bi-passing doors. Components include 2 top tracks and 2 bottom channels - extruded aluminium anodised silver, 4 wheel hangers with nylon wheels and bearings with both top fix and side fix plate options. Supplied as kits for 2 or 3 door applications and with a choice of gold or silver anodised handles - please specify when ordering. Locking flush bolts available - see page 60.



**Ideal for: Heavy wardrobe and cupboard doors or room dividers**

## Hardware Layout

Loft 2 Door





# Auto

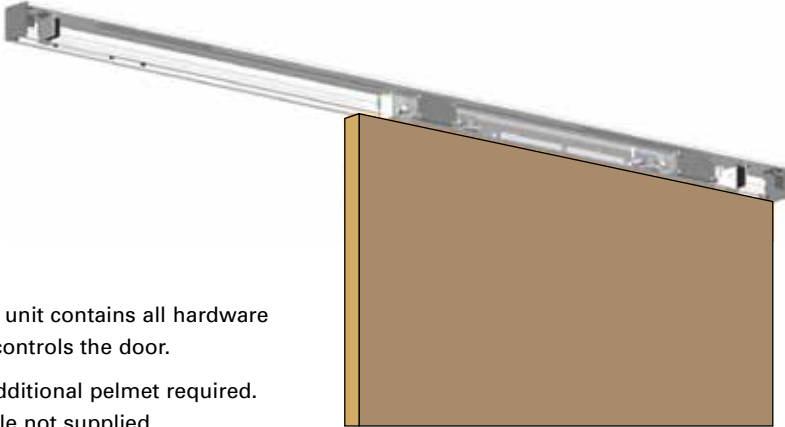


|                                       |             |
|---------------------------------------|-------------|
| Number of doors                       | 1           |
| Maximum door weight                   | 25 kg       |
| Maximum door width (excludes overlap) | 800-1100 mm |
| Maximum opening width                 | 1100 mm     |
| Maximum door height                   | 2000 mm     |
| Minimum door thickness                | 35 mm       |

**Ideal for: Disabled toilets care homes and hospitals**

Ideal for areas requiring a door that not only self closes but also self opens simply by the lightest of touches. Ideal for use in areas regularly used by the disabled or children. Features include dampers to slow the door during opening and closing, and silver anodised aluminium track. Ideal for retro fitting. For optional latch - see page 61.

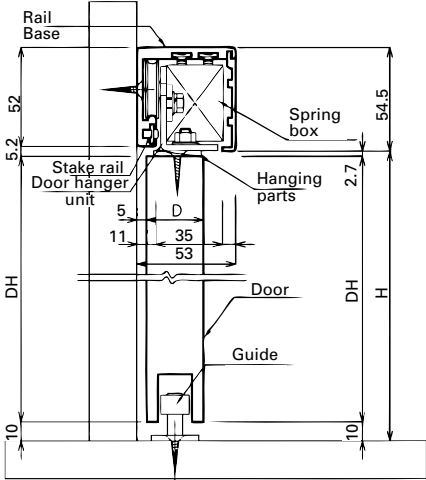
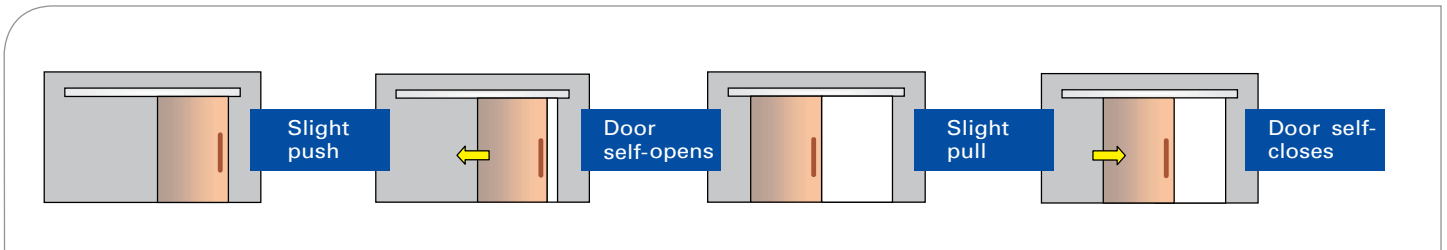
**Hardware Layout**



Head unit contains all hardware that controls the door.

No additional pelmet required.

Handle not supplied.

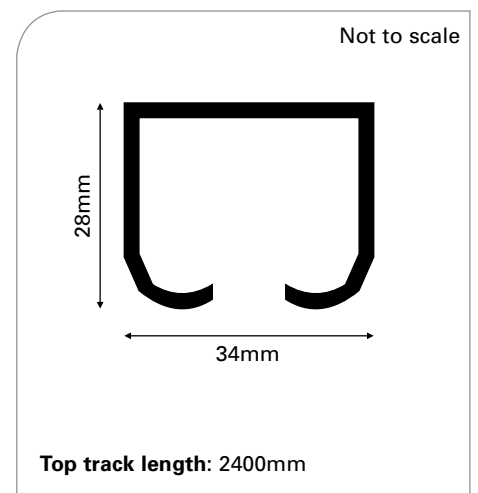



# Bob

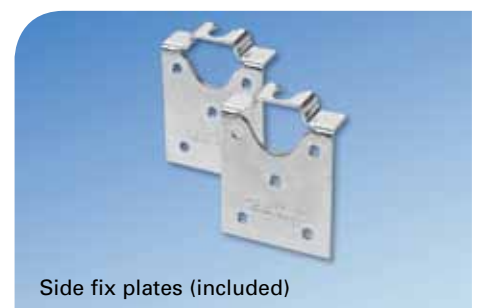
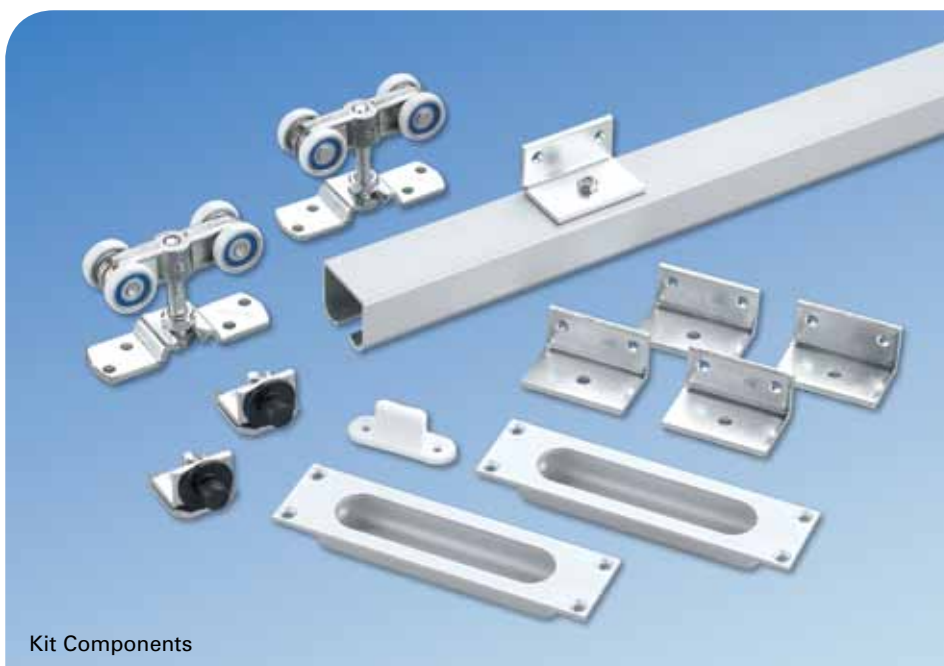
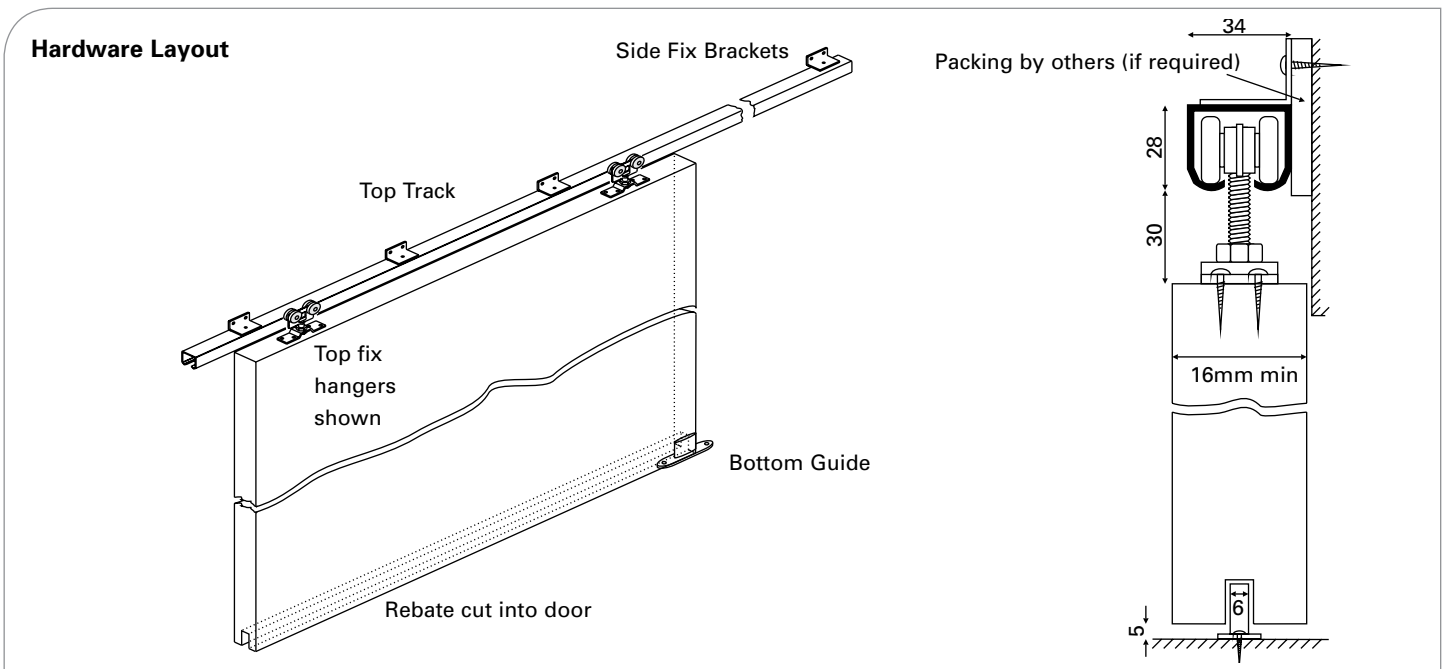


|                                       | B15     | B24     |
|---------------------------------------|---------|---------|
| Number of doors                       | 1       | 1       |
| Maximum door weight                   | 75 kg   | 75 kg   |
| Maximum door width (excludes overlap) | 762 mm  | 1210 mm |
| Maximum opening width                 | 762 mm  | 1210 mm |
| Maximum door height                   | 2100 mm | 2100 mm |
| Minimum door thickness                | 16 mm   | 16 mm   |

Sliding door system for residential or commercial internal doors. The track is a precision aluminium anodised box profile. The 4 wheel hangers are fitted with nylon tyres for a quiet and smooth operation. Both side fix and top fix plates are supplied. Bob is supplied as a kit. Please specify either Silver or Gold anodised handles when ordering. For optional latch - see page 61. For a pair of co-ordinated, bi-parting doors, please contact our sales office.



**Ideal for: Residential and commercial sliding door**

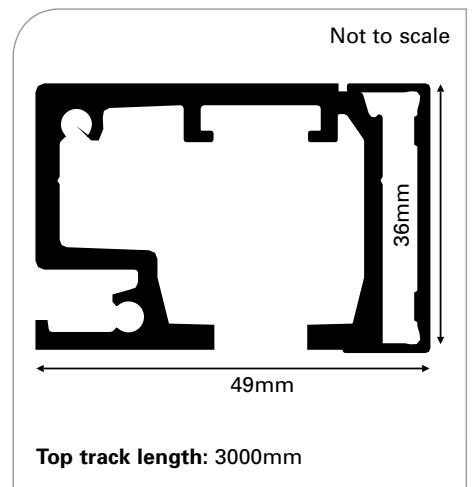


# Compact

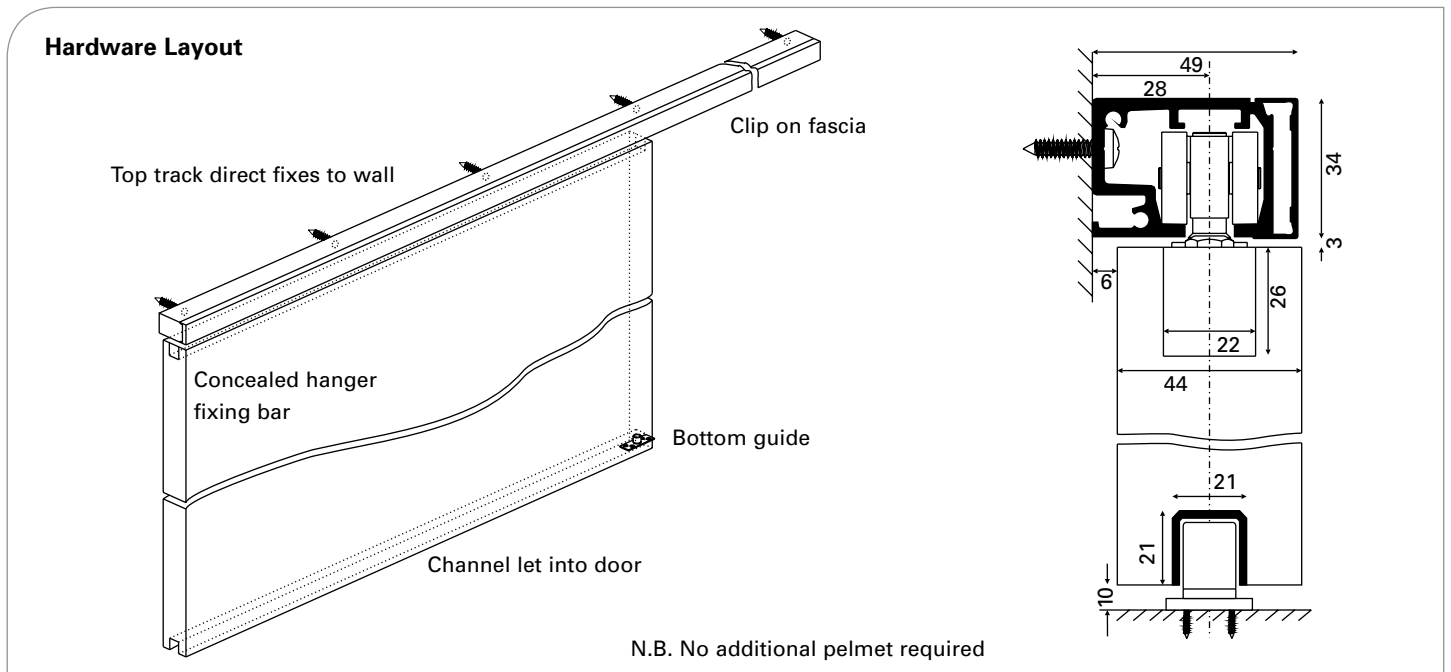


|                                       |         |
|---------------------------------------|---------|
| Number of doors                       | 1       |
| Maximum door weight                   | 80 kg   |
| Maximum door width (excludes overlap) | 1500 mm |
| Maximum opening width                 | 1500 mm |
| Maximum door height                   | 2100 mm |
| Recommended door thickness            | 44 mm   |

Sliding door system for residential or commercial doors requiring a minimalist look and a small gap between door and track. Features include direct side fixing with clip on fascia to conceal fixing holes, nylon wheels with bearings track and end stops that hold the door open or closed. Silver anodised finish only. Kit contains everything needed including bottom guide and handles. Comes with softclose feature as standard.



**Ideal for: Residential and commercial sliding door where headroom is limited**

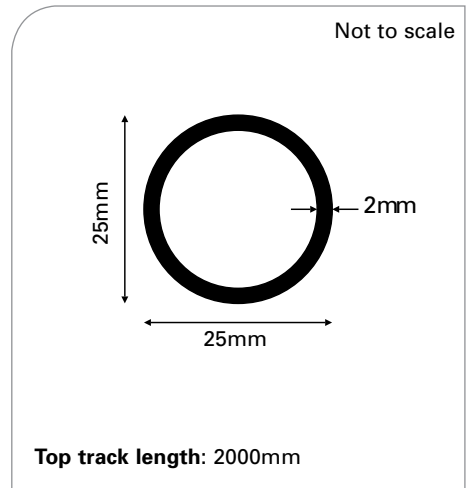


# Ivan

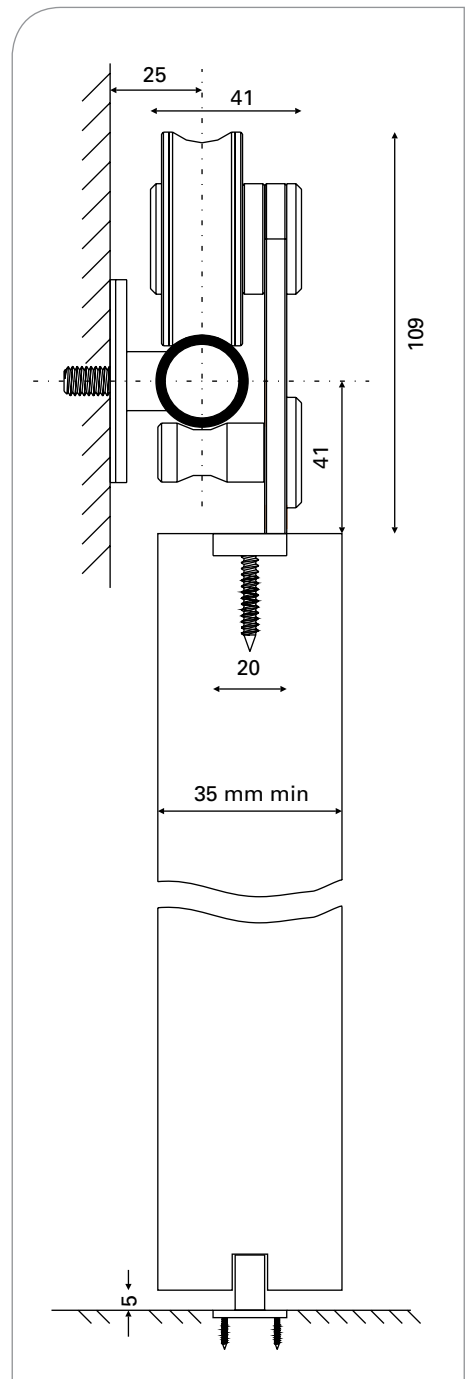
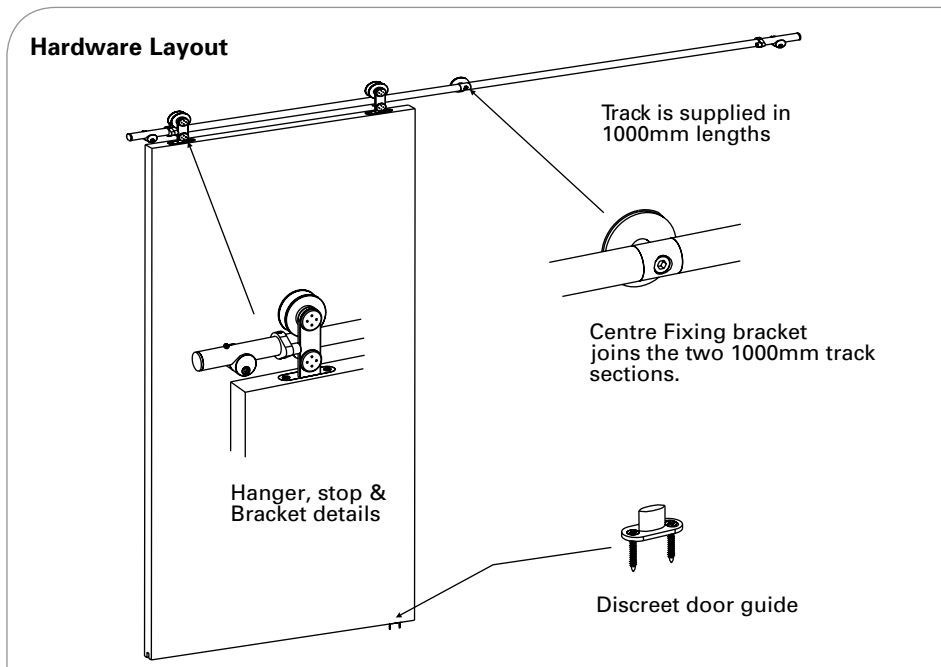


|                                       |         |
|---------------------------------------|---------|
| Number of doors                       | 1       |
| Maximum door weight                   | 40 kg   |
| Maximum door width (excludes overlap) | 1000 mm |
| Maximum opening width                 | 1000 mm |
| Maximum door height                   | 2100 mm |
| Minimum door thickness                | 35 mm   |

Stylish sliding door system for high quality applications where a minimalist looking tubular track is preferred. The track is 304 grade stainless steel as are all the components. The hangers have nylon treads for a smooth operation. Kit comes complete with track, 3 brackets, hangers, track mounted door stops, discreet floor guide and 2 stainless steel flush pulls.



**Ideal for: Residential and commercial sliding doors**

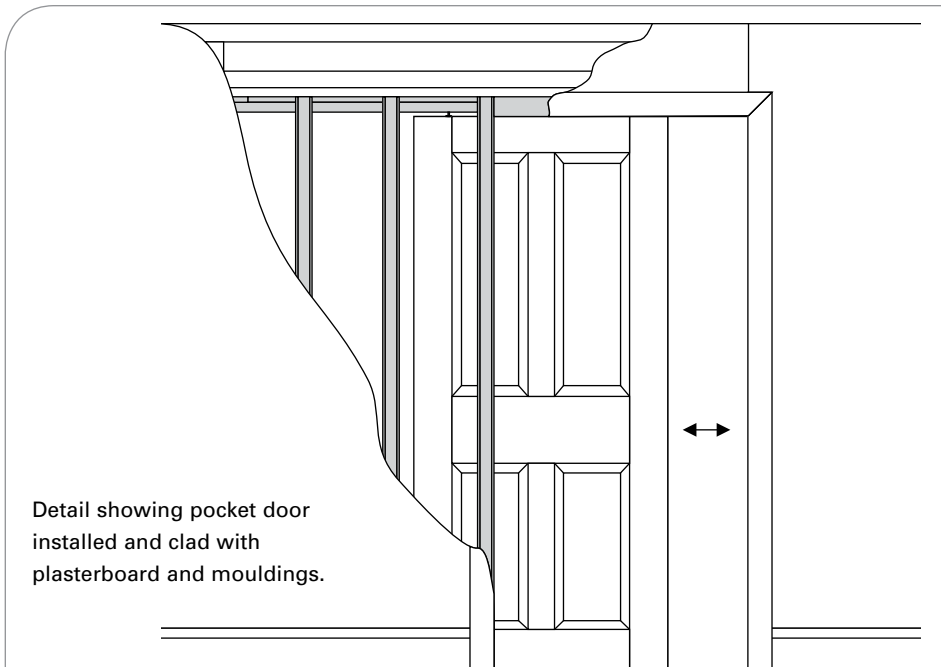


# Pocket door kit

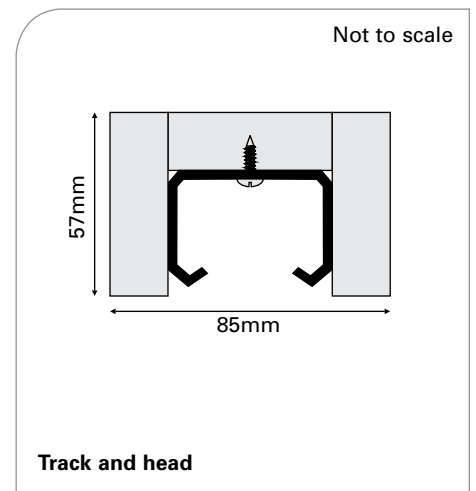


|                            | PD1      | PD2      |
|----------------------------|----------|----------|
| Number of doors            | 1        | 1        |
| Maximum door weight        | 90 kg    | 90 kg    |
| Maximum door width         | 915 mm   | 1200 mm  |
| Maximum opening width      | 915 mm   | 1200 mm  |
| Maximum door height        | 2032 mm  | 2400 mm  |
| Recommended door thickness | 35-44 mm | 35-44 mm |

The pocket door kit enables you to create a door that slides into a cavity wall when it is opened. Thus saving valuable space. You can also join 2 kits with a joining kit (supplied separately) to create a double door opening. Kits come complete with cavity forming studs plus the sliding door hardware and comprehensive instructions. Available in 2 sizes as shown above. For a pair of co-ordinating bi-parting doors, please contact our sales office.



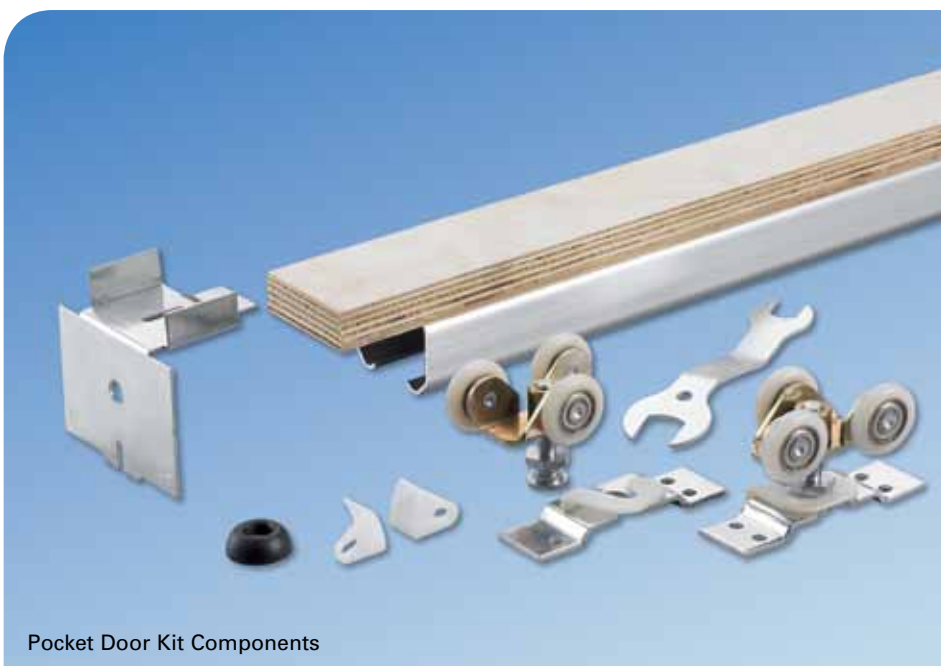
Detail showing pocket door installed and clad with plasterboard and mouldings.



**Ideal for:** Toilets, room dividers, en-suite bathrooms etc



Cavity forming studs



Pocket Door Kit Components



Optional pocket door pull in satin nickel finish. Fitted to leading edge of the door.



Optional sliding door latch - see page 61

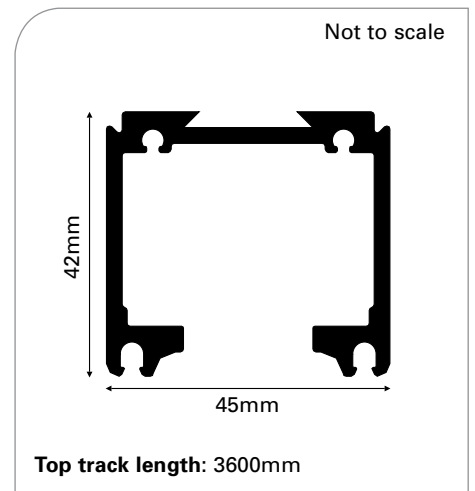


# Barrierslide 200

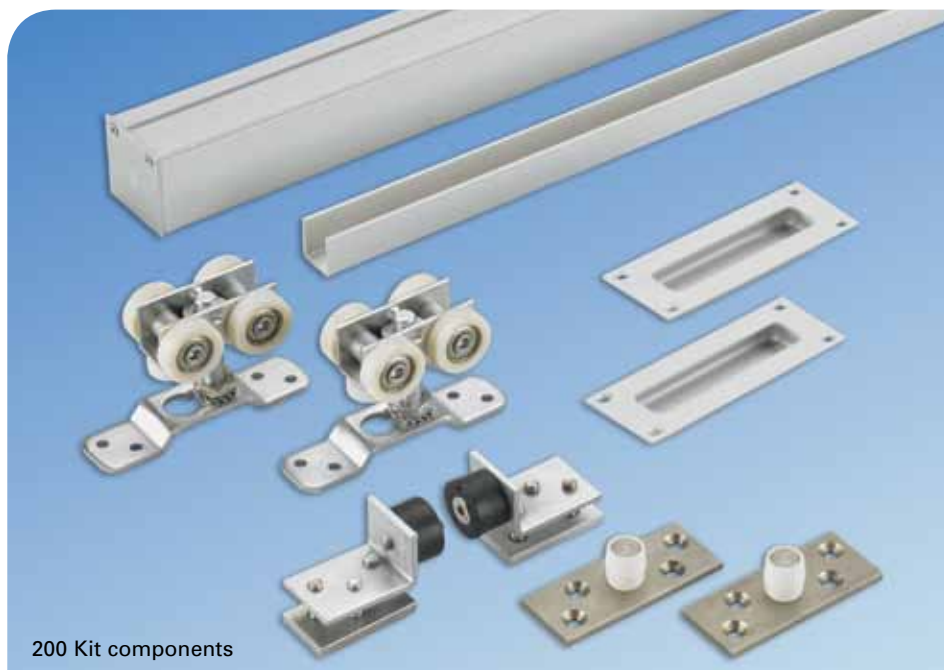
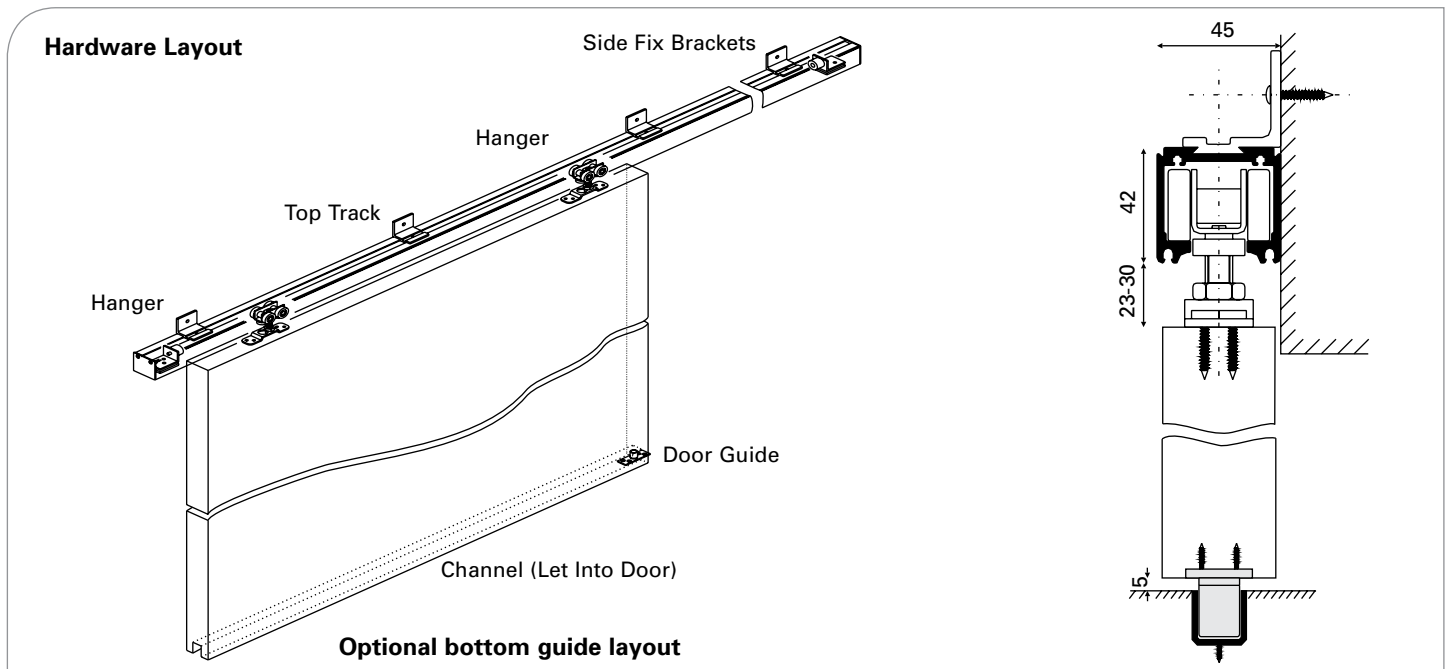


|                                       |         |
|---------------------------------------|---------|
| Number of doors                       | 1       |
| Maximum door weight                   | 200 kg  |
| Maximum door width (excludes overlap) | 1800 mm |
| Maximum opening width                 | 1800 mm |
| Maximum door height                   | 2400 mm |
| Minimum door thickness                | 35 mm   |

Sliding door system for heavy residential or commercial doors. Features include nylon wheels with bearings, sturdy anodised aluminium track and a smooth, quiet operation. The system is supplied as a kit and includes track, hangers, stops, end caps, handles and bottom guide. Side fix brackets are optional. Please specify Silver or Gold anodised handles.



**Ideal for:** Large residential or commercial sliding doors

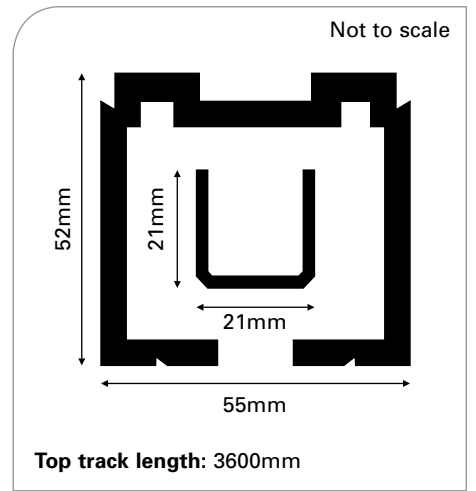


# Barrierslide 400

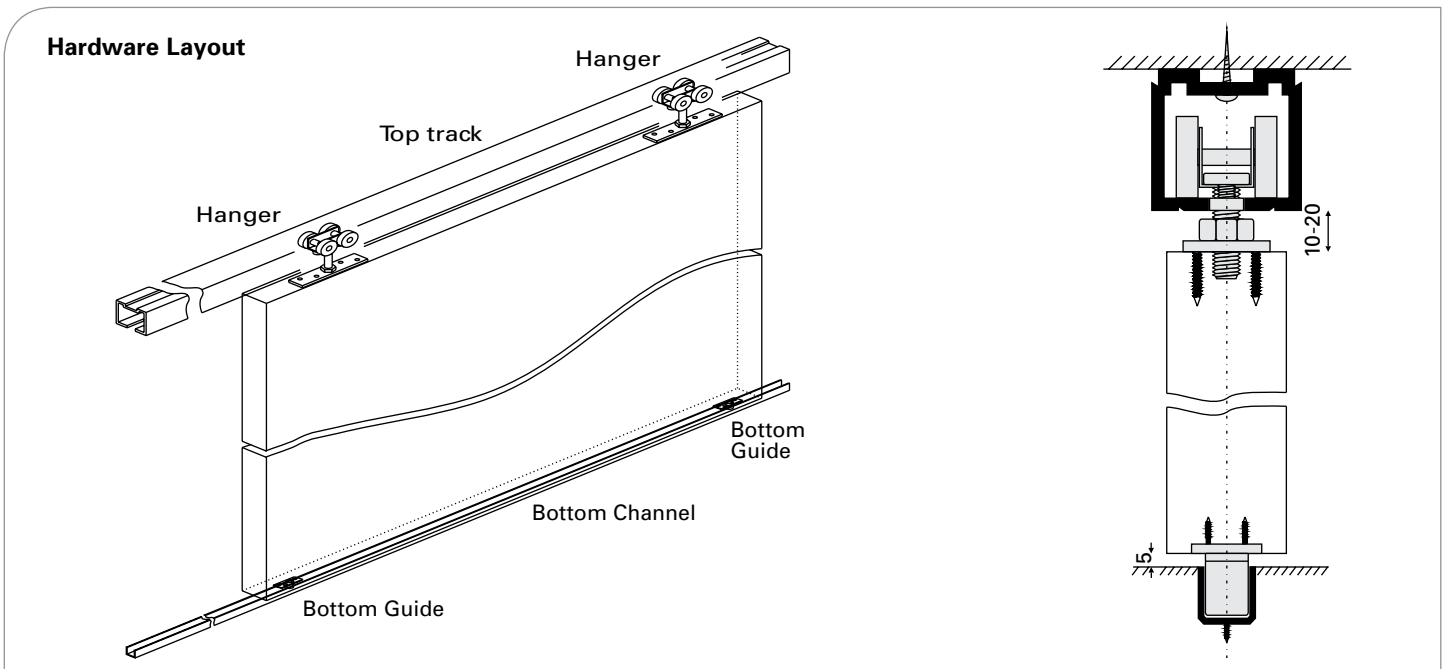


|                                       |         |
|---------------------------------------|---------|
| Number of doors                       | 1       |
| Maximum door weight                   | 400 kg  |
| Maximum door width (excludes overlap) | 1800 mm |
| Maximum opening width                 | 1800 mm |
| Maximum door height                   | 3000 mm |
| Minimum door thickness                | 35 mm   |

Sliding door system for heavy commercial doors. Features include steel wheels with bearings, sturdy anodised aluminium track and a smooth and quiet operation. The system is supplied as a kit and includes track, hangers, stops, handles and bottom guide. Side fix brackets are optional. Please specify Silver or Gold anodised handles.



**Ideal for:** Heavy commercial sliding doors



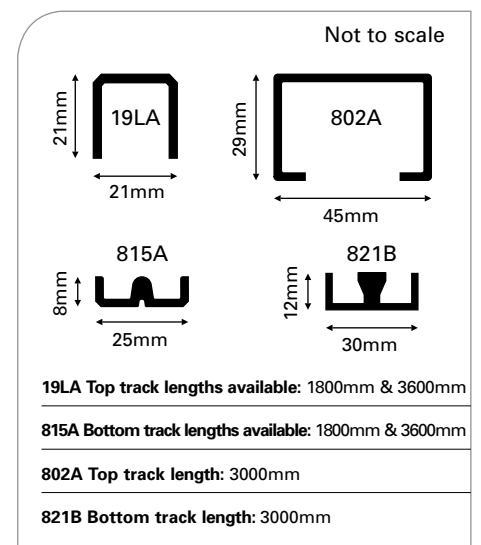


# Vistaslide

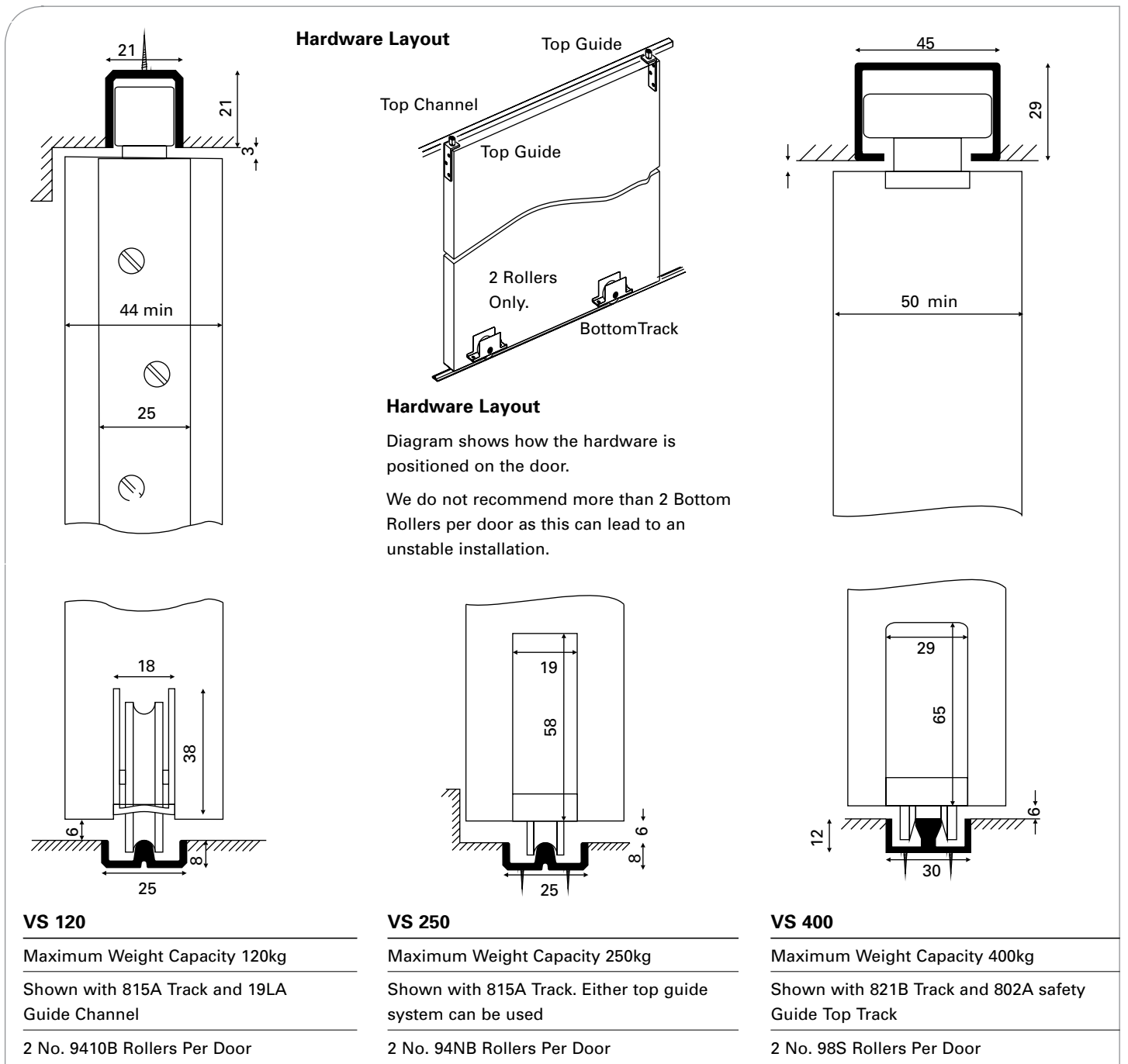


|                        | VS120   | VS250   | VS400   |
|------------------------|---------|---------|---------|
| Number of doors        | 1       | 1       | 1       |
| Maximum door weight    | 120 kg  | 250 kg  | 400 kg  |
| Maximum door width     | 1800 mm | 2700 mm | 3600 mm |
| Maximum opening width  | 1800 mm | 2700 mm | 3600 mm |
| Maximum door height    | 2100 mm | 3000 mm | 3500 mm |
| Minimum door thickness | 44 mm   | 44 mm   | 50 mm   |

Vistaslide is a range of bottom rolling sliding door gear designed for large framed glazed doors in both residential and commercial environments. The rollers have sealed bearings and metal wheels. Guide rollers are nylon to aid in noise reduction and smoothness of operation. This system is sold in component form.



**Ideal for:** Sliding patio doors and showroom glazed sliding doors





**815A Bottom Track**

Available in 1800mm & 3600mm lengths  
Silver or Gold Anodised Aluminium.



**19LA Channel**

Available in 1800mm & 3600mm lengths  
Silver or Gold Anodised Aluminium.



**Top Guide Systems For 19LA**

83/19 Side Fix Top Guide 2 Per Door  
40/19 Top Fix Guide 3 Per Door



**821B Bottom Track**

Available in 3000mm lengths  
Brass



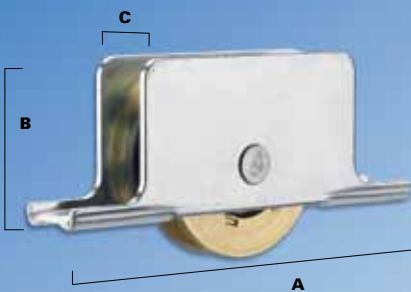
**802A Top Safety Guide Track**

Available in 3000mm lengths  
Anodised Aluminium



**805 Top Guide for 802A**

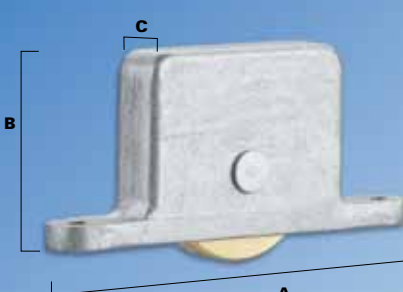
Top fix Guide  
2 Required per door



**9410B Roller - Brass Wheel**

Fit 2 per door - max 120 kg  
Use with 815A Track

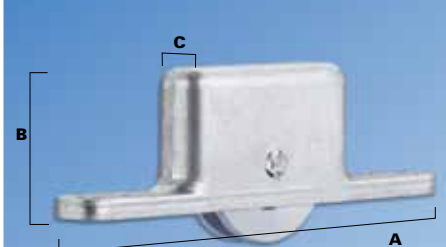
A 105 mm B 38 mm C 18 mm



**94NB Roller - Brass Wheel**

Fit 2 per door - max 250 kg  
Use with 815A Track

A 133 mm B 57 mm C 19 mm



**98S Roller - Steel Wheel**

Fit 2 per door - max 400 kg  
Use with 821B Track

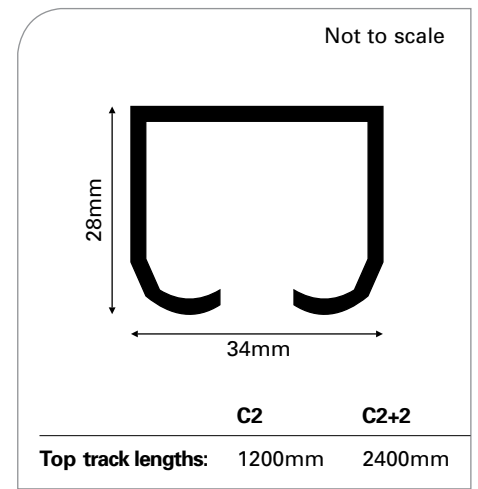
A 232 mm B 27 mm C 29 mm

# Cub



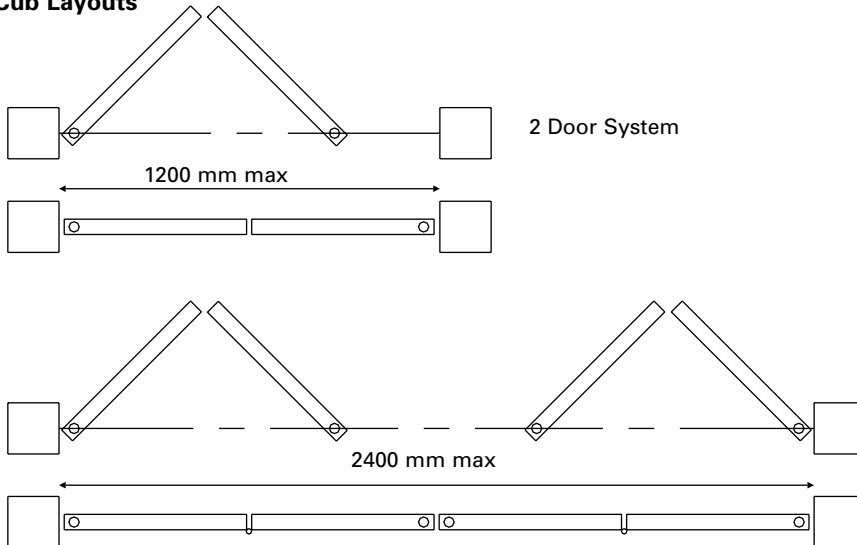
|                        | C2      | C2+2    |
|------------------------|---------|---------|
| Number of doors        | 2       | 4       |
| Maximum door weight    | 25 kg   | 25 kg   |
| Maximum door width     | 600 mm  | 600 mm  |
| Maximum opening width  | 1200 mm | 2400 mm |
| Maximum door height    | 2100 mm | 2100 mm |
| Minimum door thickness | 30 mm   | 30 mm   |

Sliding and folding door system for wardrobes and cupboards. The track is a precision aluminium anodised profile. The 4 wheel hangers have nylon tyres and sealed ball bearings. The system uses a concealed hinge system that snap the doors into the open and closed positions therefore no channel or floor bolts are required. Hinges are mounted on the rear face of the doors. Available in both 2 door and 2+2 door configured kits. Door knobs not included.

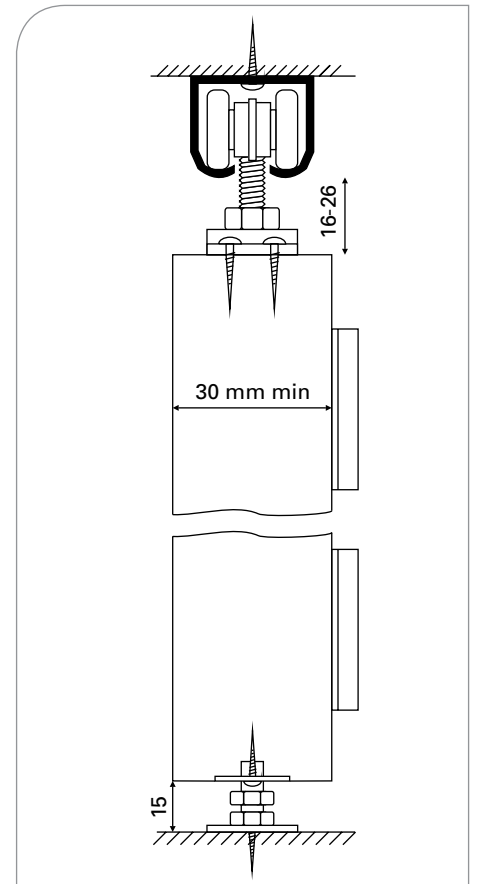


**Ideal for:** Domestic and commercial cupboards and wardrobes

## Cub Layouts



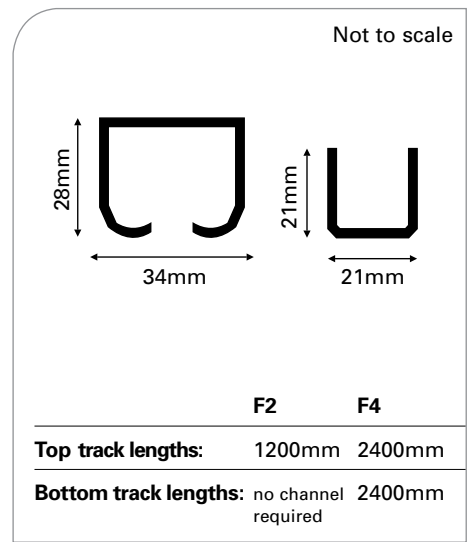
Not suitable for odd number leaves



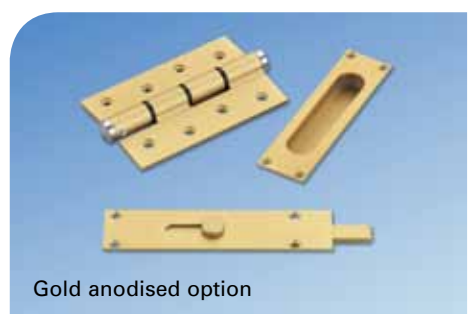
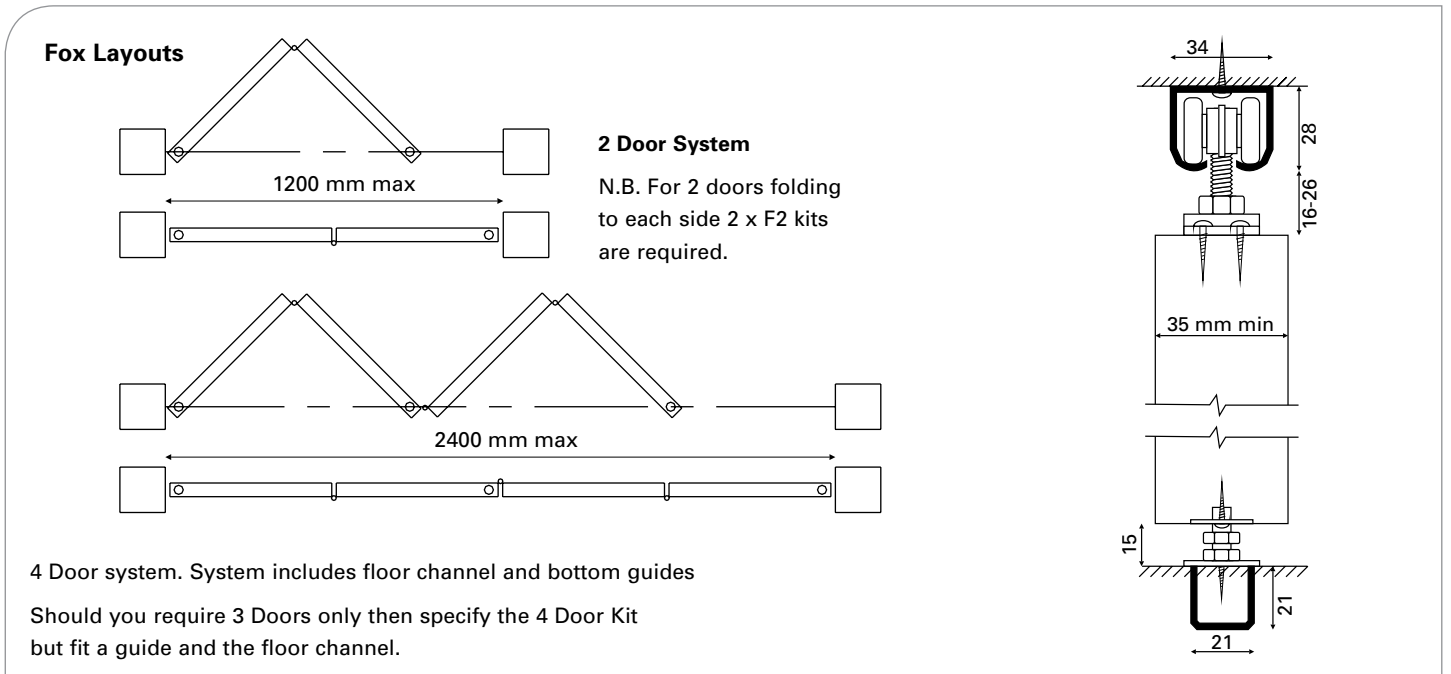


|                        | F2      | F4      |
|------------------------|---------|---------|
| Number of doors        | 2       | 4       |
| Maximum door weight    | 25 kg   | 25 kg   |
| Maximum door width     | 600 mm  | 600 mm  |
| Maximum opening width  | 1200 mm | 2400 mm |
| Maximum door height    | 2100 mm | 2100 mm |
| Minimum door thickness | 35 mm   | 35 mm   |

Sliding and folding door system for light internal room dividers. The tracks and channels are precision aluminium anodised profiles. The 4 wheel hangers have nylon tyres and sealed ball bearings. The F2 kit is supplied with track, pivots, hinges, bolts and flush pulls. F4 also includes floor channel and guides. Silver or Gold anodised door furniture and channel. Please specify the finish when ordering.



**Ideal for:** Residential folding room dividers

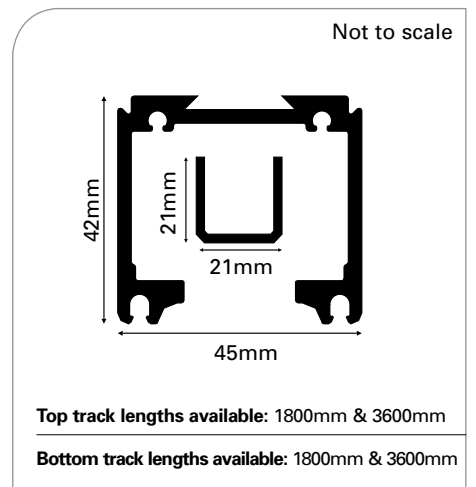


# Endfold 40

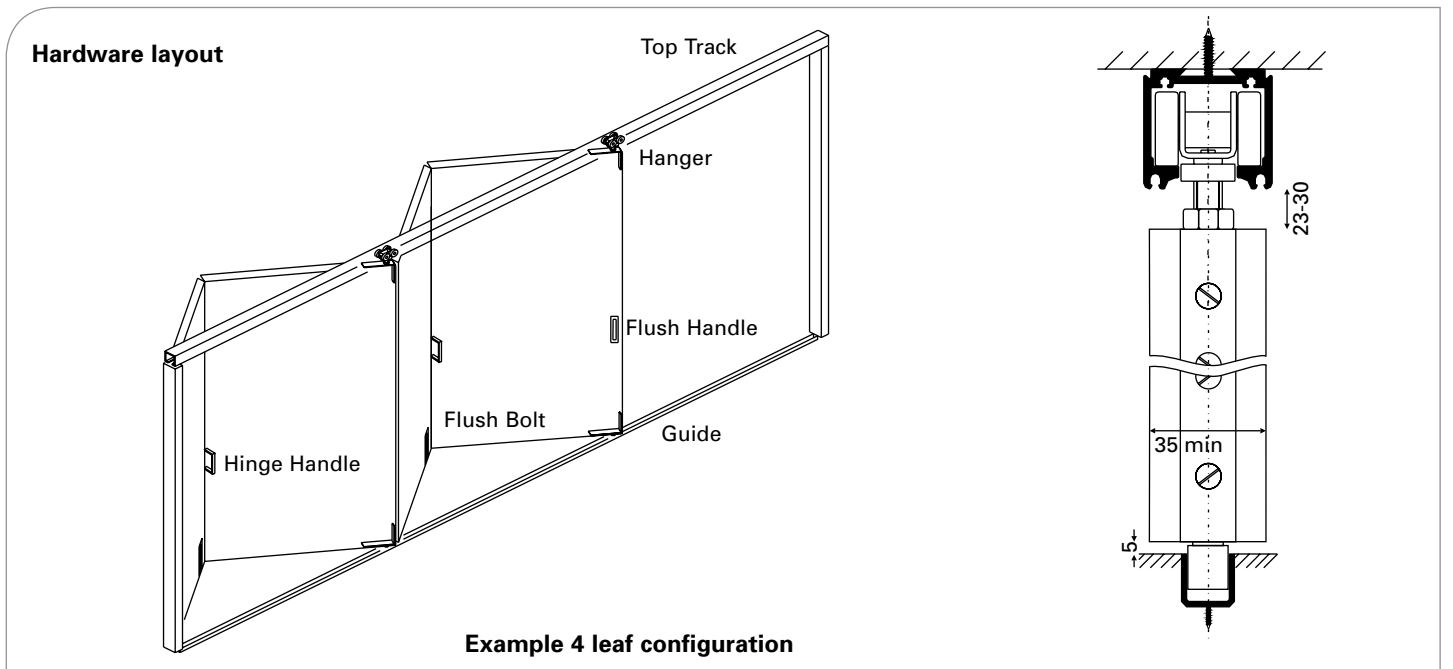


|                         |                |
|-------------------------|----------------|
| Maximum number of doors | 5 to each side |
| Maximum door weight     | 40 kg          |
| Maximum door width      | 800 mm         |
| Maximum opening width   | 8000 mm        |
| Maximum door height     | 2400 mm        |
| Minimum door thickness  | 35 mm          |

Folding door system suitable for both residential and commercial applications. Features include nylon wheels with bearings, anodised aluminium track, jamb pivots and a range of hinges and flush bolts either in a satin stainless or polished gold PVD finish. The hardware is available either in kits or as separate components. The track and channel are sold separately.



**Ideal for:** Large residential room dividers and commercial partitions



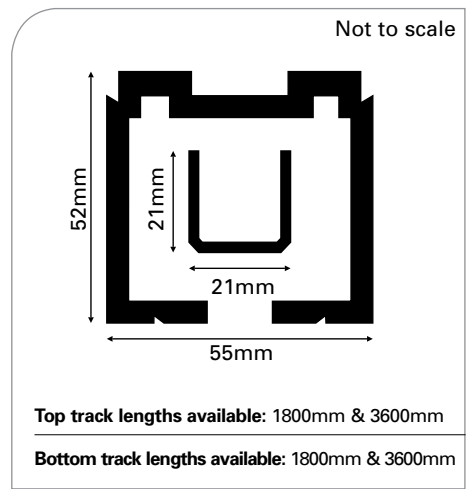


# Endfold 60

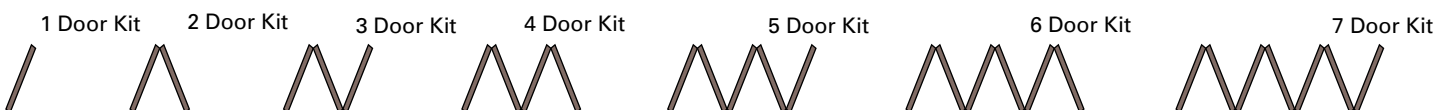
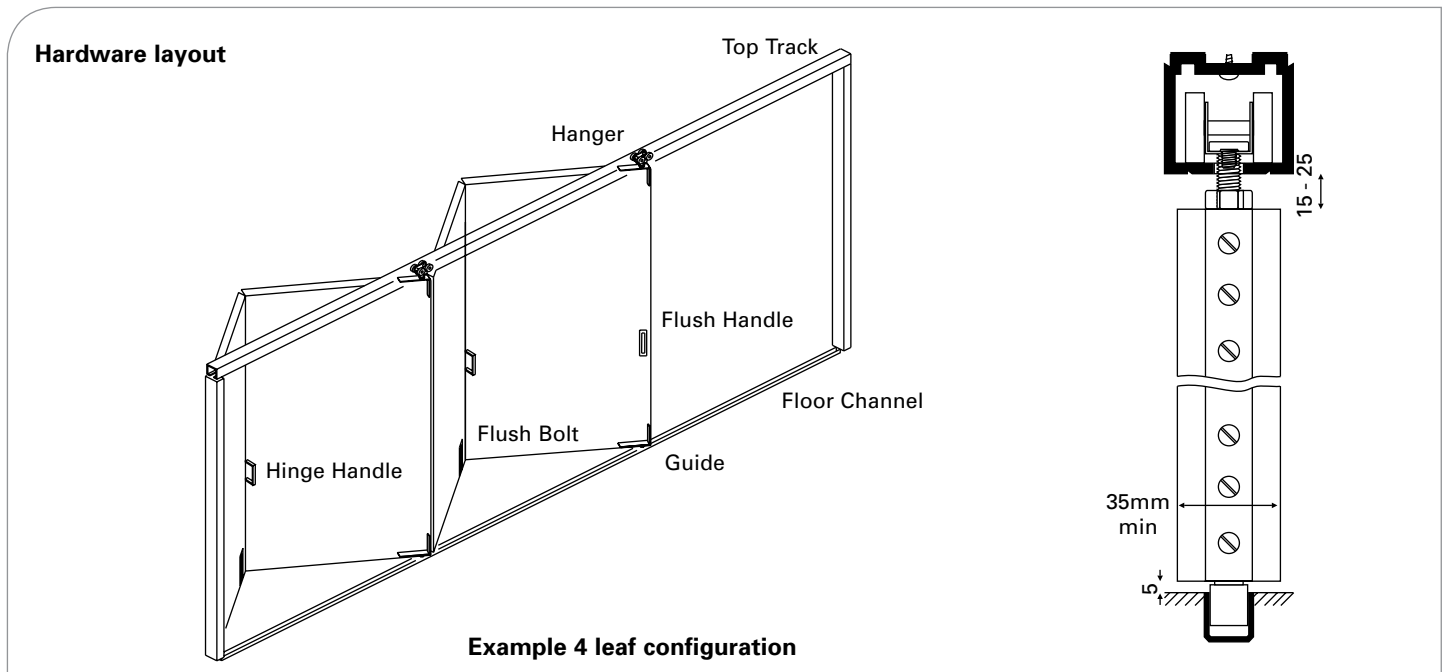


|                         |             |
|-------------------------|-------------|
| Maximum number of doors | 7 each side |
| Maximum door weight     | 60 kg       |
| Maximum door width      | 900 mm      |
| Maximum opening width   | 12600 mm    |
| Maximum door height     | 2700 mm     |
| Minimum door thickness  | 35 mm       |

Folding door system suitable for commercial applications. Features include steel wheels with bearings, anodised aluminium track, jamb pivots and a range of hinges and flush bolts either in a satin stainless or polished gold PVD finish. The hardware is available either in kits or as separate components. The track and channel are sold separately.



**Ideal for:** Interior commercial folding partitions

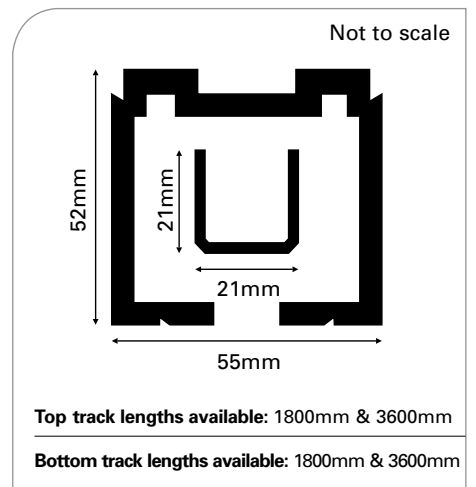


# Centrefold 60

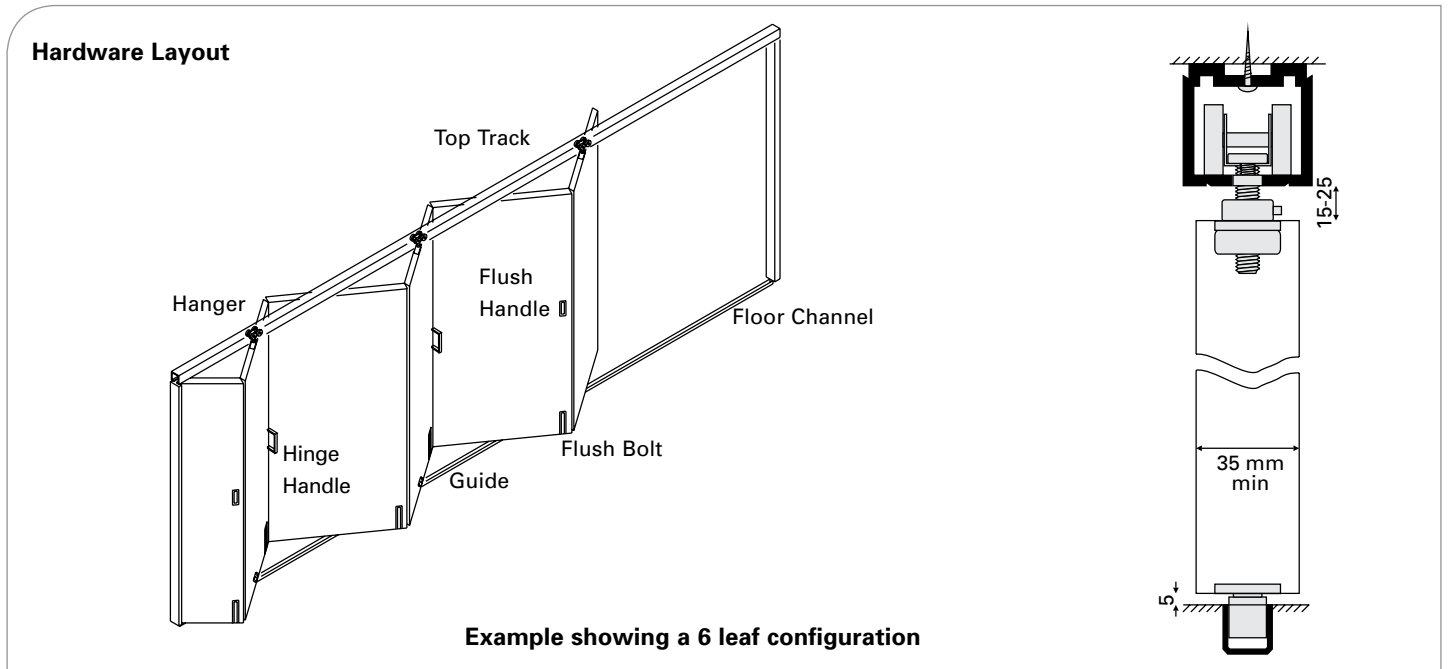


|                         |             |
|-------------------------|-------------|
| Maximum number of doors | 7 each side |
| Maximum door weight     | 60 kg       |
| Maximum door width      | 900 mm      |
| Maximum opening width   | 12600 mm    |
| Maximum door height     | 2700 mm     |
| Minimum door thickness  | 35 mm       |

Folding door system with the hangers mounted so the doors hang centrally under the track. Features include steel wheels with bearings, anodised aluminium track, jamb pivots and a range of hinges and flush bolts either in a satin stainless or polished gold PVD finish. The hardware is available either in kits or as separate components. The track and channel are always sold separately. First panel must always be 1/2 width of the others.



**Ideal for:** Commercial folding partitions

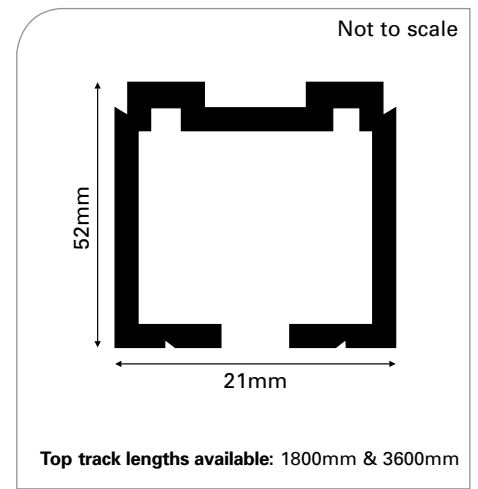


# Partitionfold 100



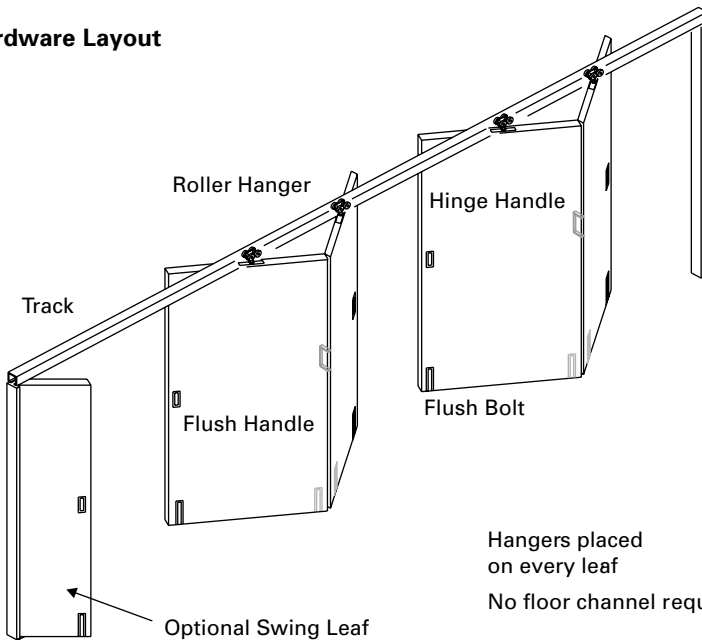
|                         |                 |
|-------------------------|-----------------|
| Maximum number of doors | unlimited pairs |
| Maximum door weight     | 100 kg          |
| Maximum door width      | 1200 mm         |
| Maximum opening width   | unlimited       |
| Maximum door height     | 3000 mm         |
| Minimum door thickness  | 70 mm           |

Partitionfold 100 is designed for internal folding applications with large heavy panels. Features include steel wheels with bearings, robust anodised aluminium top track and a range of suited hardware including hinges, flush bolts and handles. Hardware available in either a satin stainless or polished gold PVD finish. Supplied in standard 2 panel and swing leaf kits. Track sold separately - silver only.

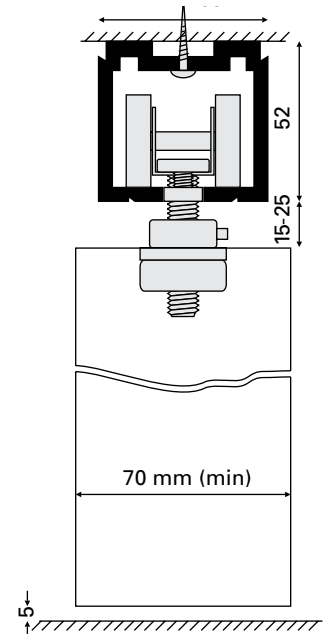


**Ideal for:** Large wall partitions in offices, hotels, schools etc...

## Hardware Layout



Hangers placed on every leaf  
No floor channel required

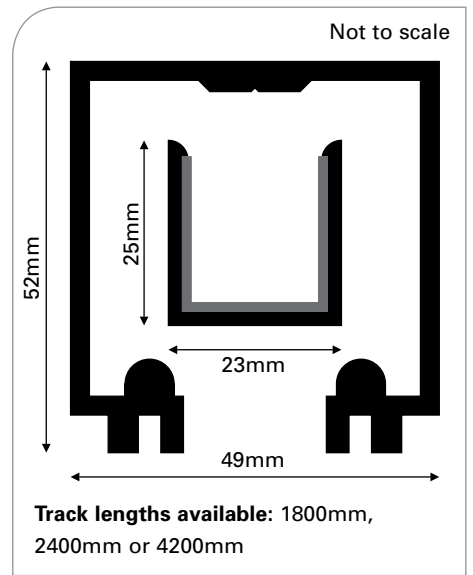


# Barrierfold



|                         |            |
|-------------------------|------------|
| Maximum number of doors | 7 each way |
| Maximum door weight     | 90 kg      |
| Maximum door width      | 1000 mm    |
| Maximum opening width   | 14000 mm   |
| Maximum door height     | 3300 mm    |
| Minimum door thickness  | 35 mm      |

A folding system for patio doors. Components are made from stainless steel with a brushed stainless finish, 25 micron anodised aluminium track and channel (pvc insert in channel) and tough durable nylon wheels for a smooth quiet operation. Also the system has complete adjustment capabilities at every hanger and pivot point. Easy to specify and is available in both satin stainless and polished gold PVD finishes.

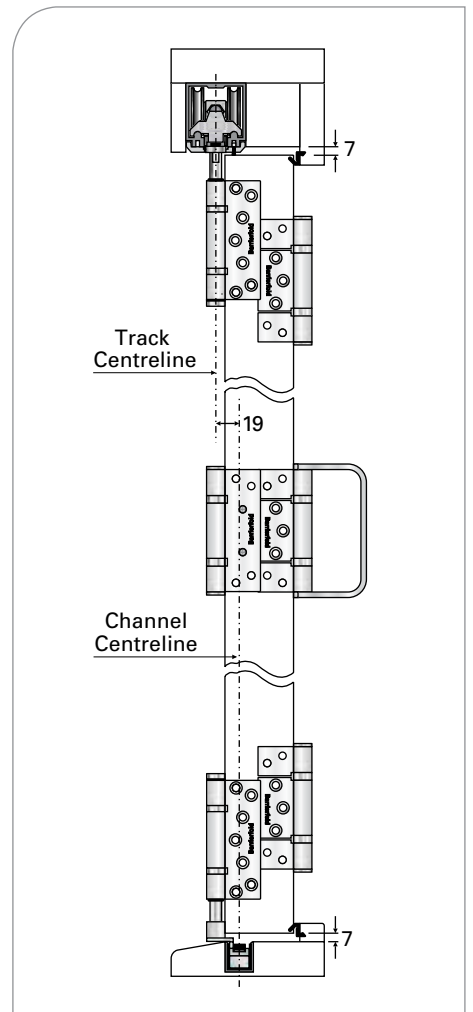


**Ideal for:** Folding patio doors

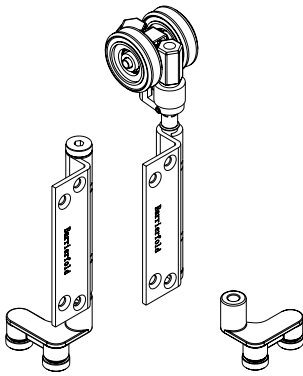


## Knuckle Design

Barrierfold has been designed so that where possible all knuckles are suited with double bearings, including the pivot plates and end hangers. Only the meeting hardware has solid knuckles due to the interlocking design.





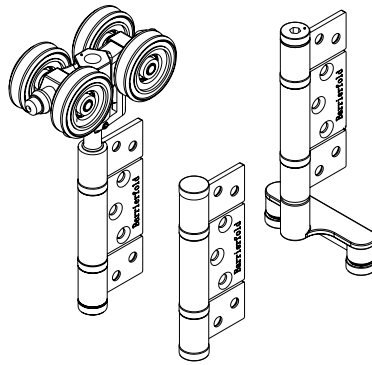


**BFD-END**

Kit Comprises of;

- 1 x End Hanger c/w bearing flaps
- 1 x End Guide c/w bearing flaps and LH/RH Foot plate

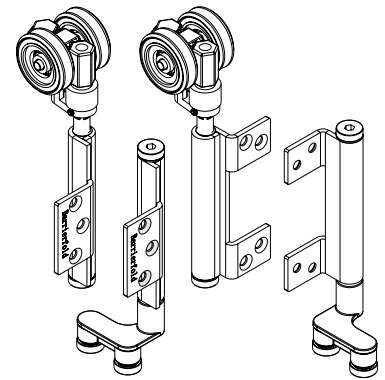
For use when end leaf closes to a Jamb.



**BFD-HHG**

Kit comprises of;

- 1 x Intermediate hanger
- 1 x Hinge
- 1 x Intermediate Guide

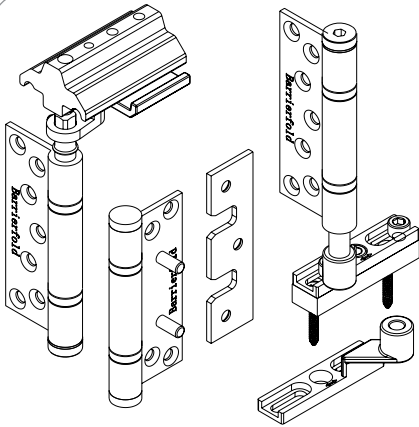


**BFD-MHS**

Kit comprises of:

- 1 Set of meeting hangers
- 1 Set of meeting guides

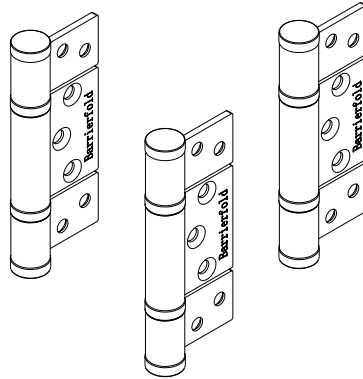
Designed for 2+2 or 4+4 layouts.



**BFD-PVT**

Kit comprises of:

- 1 x Top pivot c/w bearing knuckle
- 1 x Middle pivot hinge c/w bearing knuckle
- 1 x Bottom pivot set c/w bearing knuckle

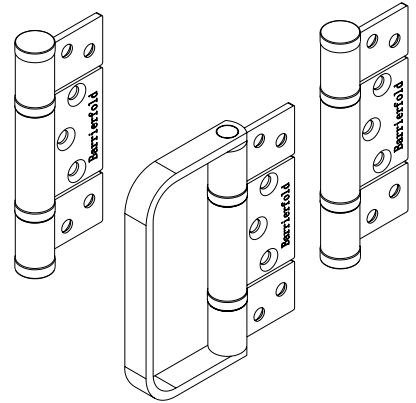


**BFD-IHS**

Kit comprises of;

- 3 x Standard Hinges

For doors folding inwards.

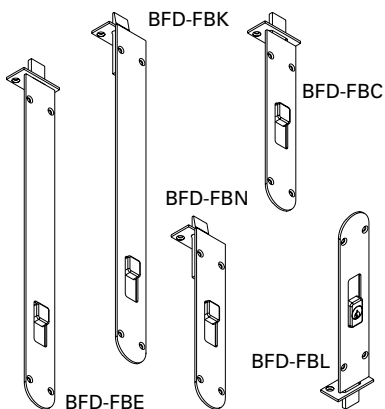


**BFD-EHS**

Kit comprises of;

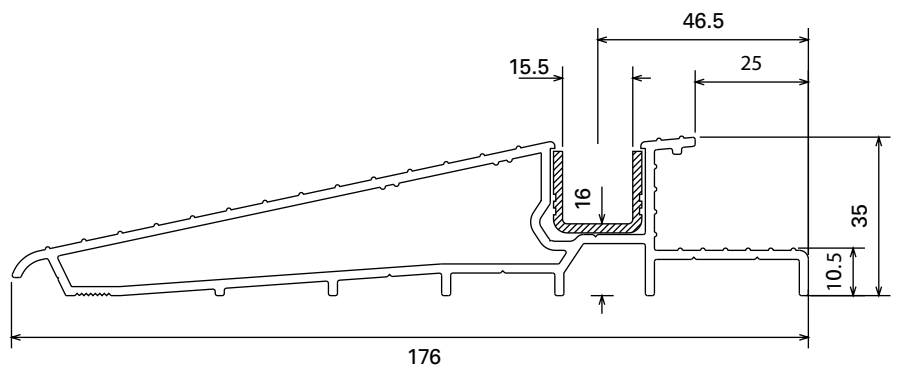
- 2 x Standard Hinges
- 1 x Hinge Handle

For doors folding outwards.



**Barrierfold Flush Bolt Range**

- BFD-FBN Standard flush bolt 210mm
- BFD-FBL Locking flush bolt 210mm
- BFD-FBC Cranked flush bolt 210mm
- BFD-FBE Extended flush bolt 210mm
- BFD-FBK Extended cranked flush bolt 400mm



**Aluminium self draining bottom threshold with Pvc Channel Insert**

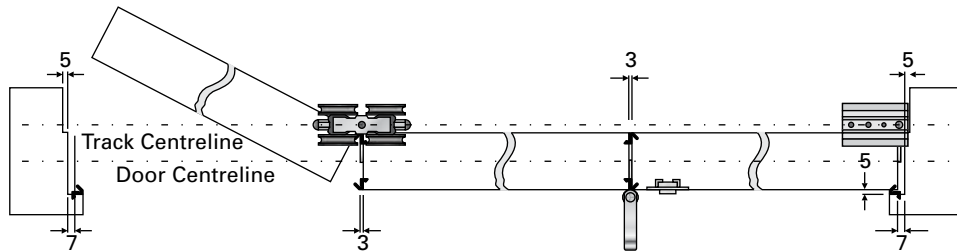
Alternative solution which replaces the need of a timber threshold with channel. Profile allows water to drain away from the channel. Satin Anodised finish. Available in 1800mm, 2400mm and 4200mm lengths.



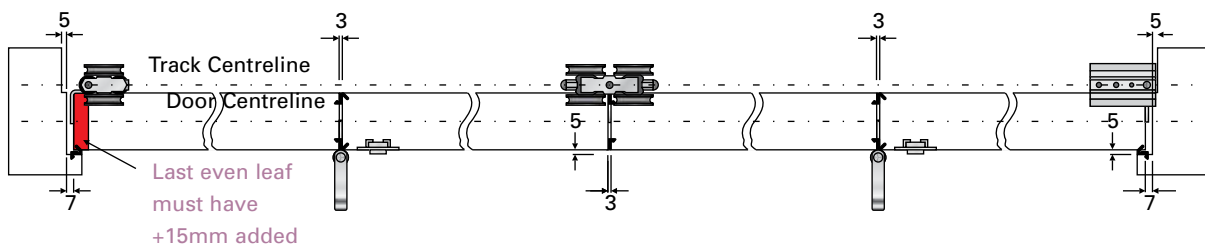


Barrierfold components

### Odd Leaf layout



### Even Leaf layout



### Door width Calculation

Leaf widths can be calculated by factoring in the tolerances shown in the diagrams.

For even leaf numbers of doors hinged together, the lead leaf must be 15mm wider.

This allows for normal hinges to be used rather than cranked hinges thus reducing stock lines for large volume door manufacturers and for stockists of the hardware.

Should you require assistance please call our office for further details.

# Barrierfold kit selection

To select your hardware you must;

1. Select required track pack and length from below  
(Tracks can be joined).

2. Select the correct hardware based upon door layout and finish.

3. Weatherseals, brush strips and locks are also available -  
call our sales office for details.

| Track Pack Options          | 1800mm   | 2400mm   | 4200mm   |
|-----------------------------|----------|----------|----------|
| Top Track and Channel Set   | BFD-TC18 | BFD-TC24 | BFD-TC42 |
| Top Track and Threshold Set | BFD-TT18 | BFD-TT24 | BFD-TT42 |

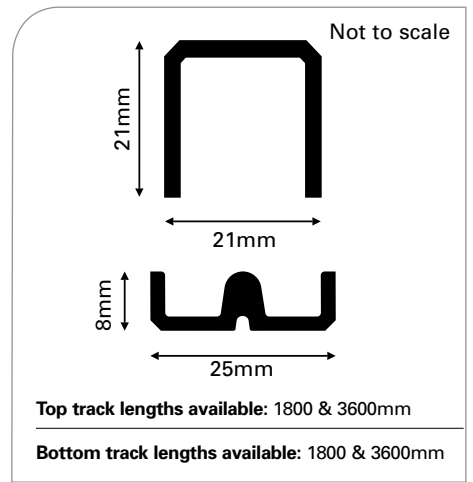
| Layout                 | Options              | Satin Stainless | PVD Gold   |
|------------------------|----------------------|-----------------|------------|
| /<br>Single Swing Door | Under 2.4m           | BFD-1U-S        | BFD-1U-G   |
|                        | Over 2.4m            | BFD-1O-S        | BFD-1O-G   |
| ^<br>2 Door Layout     | Outward / Under 2.4m | BFD-2OU-S       | BFD-2OU-G  |
|                        | Inward / Under 2.4m  | BFD-2IU-S       | BFD-2IU-G  |
|                        | Outward / Over 2.4m  | BFD-2OO-S       | BFD-2OO-G  |
|                        | Inward / Over 2.4m   | BFD-2IO-S       | BFD-2IO-G  |
| N<br>3 Door Layout     | Outward / Under 2.4m | BFD-3OU-S       | BFD-3OU-G  |
|                        | Inward / Under 2.4m  | BFD-3IU-S       | BFD-3IU-G  |
|                        | Outward / Over 2.4m  | BFD-3OO-S       | BFD-3OO-G  |
|                        | Inward / Over 2.4m   | BFD-3IO-S       | BFD-3IO-G  |
| M<br>4 Door Layout     | Outward / Under 2.4m | BFD-4OU-S       | BFD-4OU-G  |
|                        | Inward / Under 2.4m  | BFD-4IU-S       | BFD-4IU-G  |
|                        | Outward / Over 2.4m  | BFD-4OO-S       | BFD-4OO-G  |
|                        | Inward / Over 2.4m   | BFD-4IO-S       | BFD-4IO-G  |
| W<br>5 Door Layout     | Outward / Under 2.4m | BFD-5OU-S       | BFD-5OU-G  |
|                        | Inward / Under 2.4m  | BFD-5IU-S       | BFD-5IU-G  |
|                        | Outward / Over 2.4m  | BFD-5OO-S       | BFD-5OO-G  |
|                        | Inward / Over 2.4m   | BFD-5IO-S       | BFD-5IO-G  |
| WW<br>6 Door Layout    | Outward / Under 2.4m | BFD-6OU-S       | BFD-6OU-G  |
|                        | Inward / Under 2.4m  | BFD-6IU-S       | BFD-6IU-G  |
|                        | Outward / Over 2.4m  | BFD-6OO-S       | BFD-6OO-G  |
|                        | Inward / Over 2.4m   | BFD-6IO-S       | BFD-6IO-G  |
| WWW<br>7 Door Layout   | Outward / Under 2.4m | BFD-7OU-S       | BFD-7OU-G  |
|                        | Inward / Under 2.4m  | BFD-7IU-S       | BFD-7IU-G  |
|                        | Outward / Over 2.4m  | BFD-7OO-S       | BFD-7OO-G  |
|                        | Inward / Over 2.4m   | BFD-7IO-S       | BFD-7IO-G  |
| ^ ^<br>2+2 Door Layout | Outward / Under 2.4m | BFD-22OU-S      | BFD-22OU-G |
|                        | Inward / Under 2.4m  | BFD-22IU-S      | BFD-22IU-G |
|                        | Outward / Over 2.4m  | BFD-22OO-S      | BFD-22OO-G |
|                        | Inward / Over 2.4m   | BFD-22IO-S      | BFD-22IO-G |
| M M<br>4+4 Door Layout | Outward / Under 2.4m | BFD-44OU-S      | BFD-44OU-G |
|                        | Inward / Under 2.4m  | BFD-44IU-S      | BFD-44IU-G |
|                        | Outward / Over 2.4m  | BFD-44OO-S      | BFD-44OO-G |
|                        | Inward / Over 2.4m   | BFD-44IO-S      | BFD-44IO-G |

# Vistafold 44

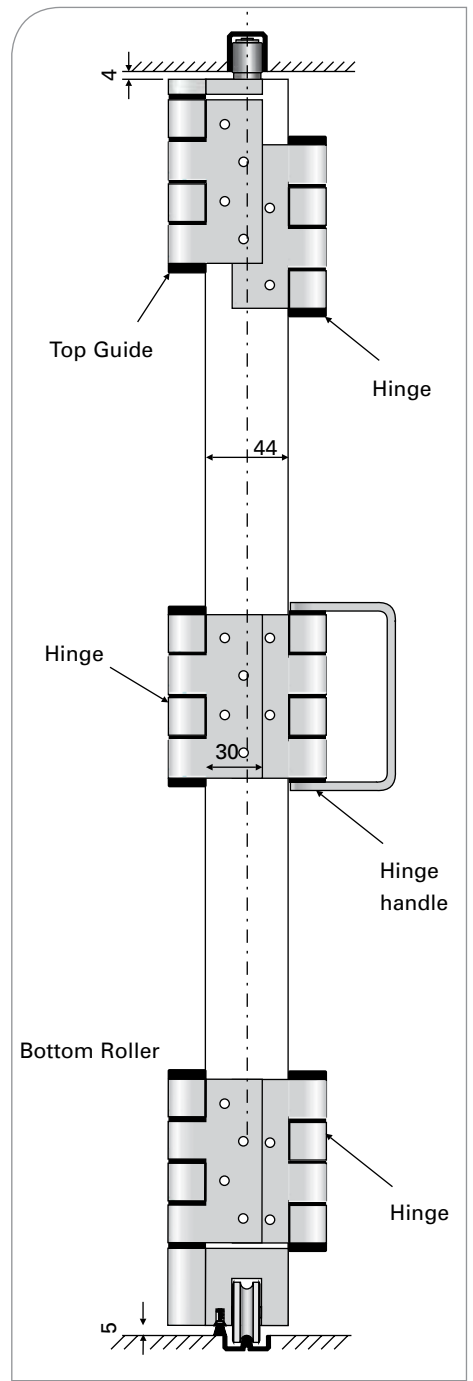
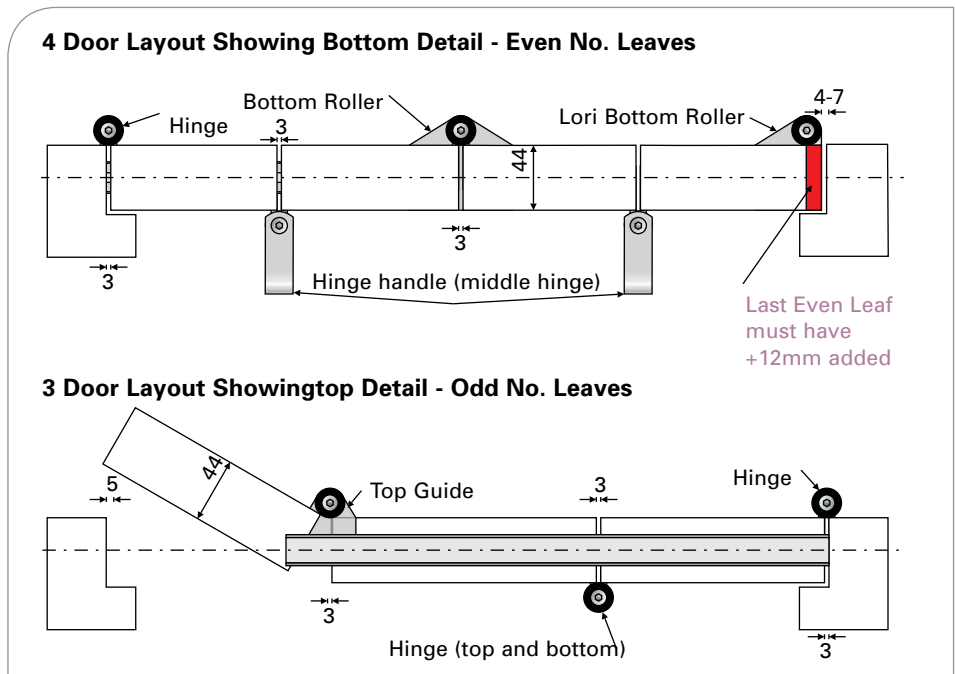


|                         |             |
|-------------------------|-------------|
| Maximum number of doors | 7 each side |
| Maximum door weight     | 70 kg       |
| Maximum door width      | 900 mm      |
| Maximum opening width   | 12600 mm    |
| Maximum door height     | 3000 mm     |
| Door thickness          | 44 mm       |

Ideal for internal and external folding doors when a structure is not available to support doors from above. With minimal floor track and guide channel it can easily be installed into existing apertures with little disruption. The track can either be let into a frame or face fitted with a 8mm timber ramp either side. The hardware includes suited hinges, handles, running gear and the choice of all items including track in either a silver or gold 25 micron anodised finish. See pages 58 and 59 for further details.



**Ideal for:** Folding patio doors, garage doors and internal room dividers



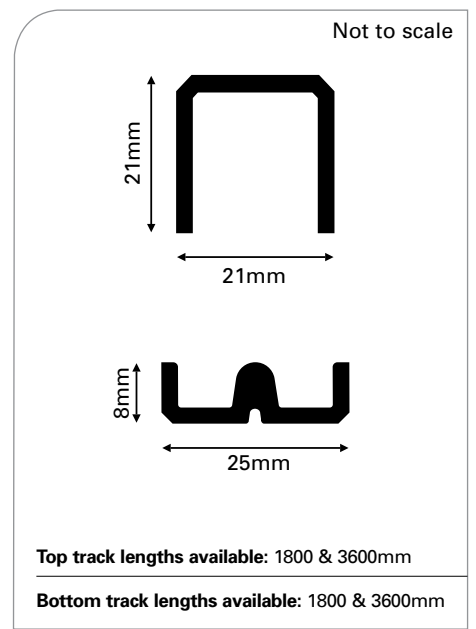
These pictures give 3 examples of where Vistafold 44 is ideal. Above left is a garage door using framed ledged and braced doors. Above is a seafront commercial property. Left shows a 6 leaf layout on a Tithe Barn.

# Vistafold 56

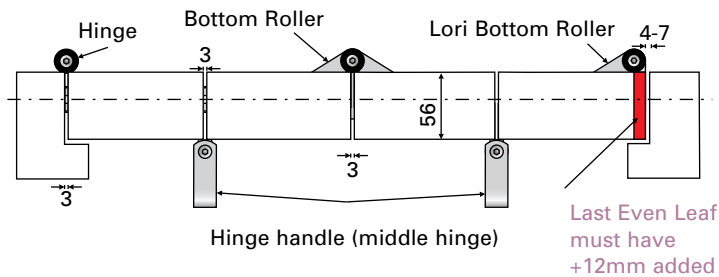


|                         |             |
|-------------------------|-------------|
| Maximum number of doors | 7 each side |
| Maximum door weight     | 70 kg       |
| Maximum door width      | 900 mm      |
| Maximum opening width   | 12600 mm    |
| Maximum door height     | 3000 mm     |
| Minimum door thickness  | 56 mm       |

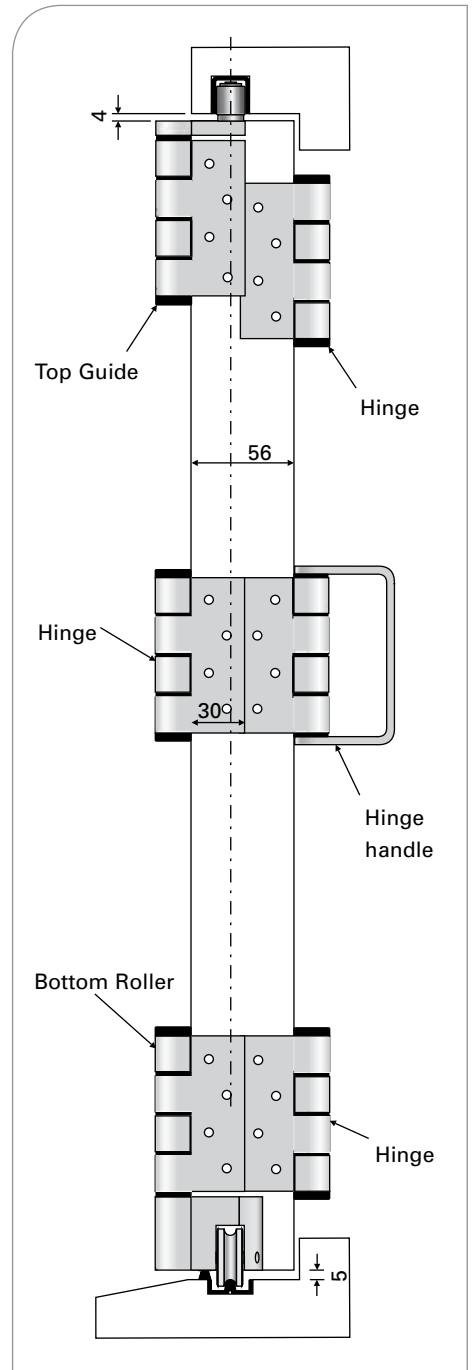
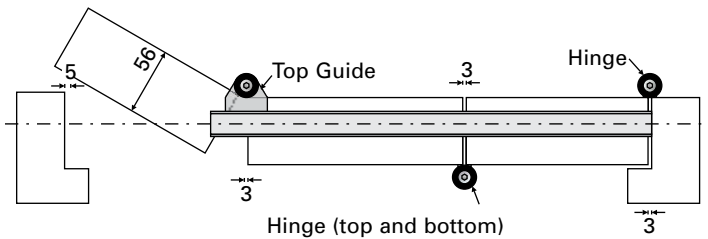
Ideal for glazed folding sliding patio doors as it is designed to fit into a standard door frame. Being bottom rolling there is no need for additional structural support as all the weight is supported at the bottom similar to traditional sliding patio doors. Available in either silver or gold 25 micron anodised finishes. See pages 58 and 59 for further details.



**4 Door layout showing bottom detail - even number leaves**



**3 Door layout showing top detail - odd number leaves**



# Vistafold hardware details



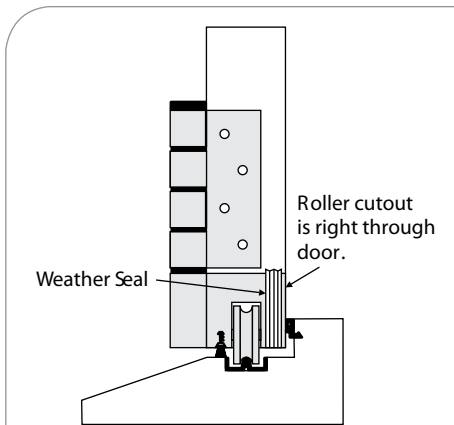
The details on this page relate to both Vistafold 44 and 56. The hardware is identical apart from the bottom rollers.

Most hardware can either be supplied in Silver or Gold anodised finish and is perfect for use in harsh environments due to the 25 micron anodising. Vistafold has also been weather tested to BS 6375; Part 1:2004 in conjunction with good quality doors as per our recommendations.

Vistafold is very simple to specify but if you need further help please call the office.

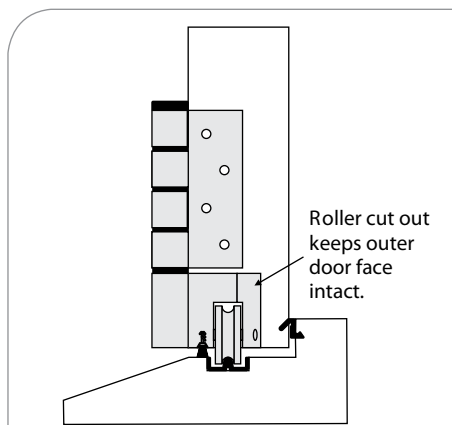


Vistafold 56 3 door set of hardware



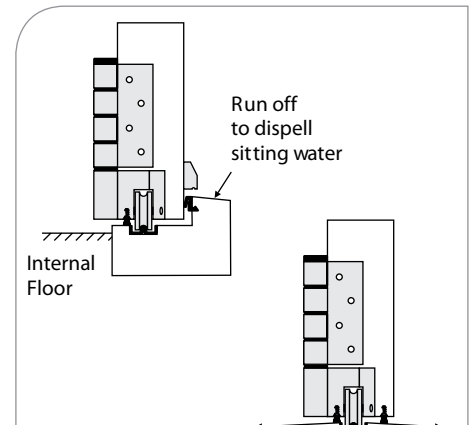
### Section through 44mm Roller

44mm Rollers require a cut right through the door. Weatherseal is provided to place around bottom block housing to provide adequate weather rating.



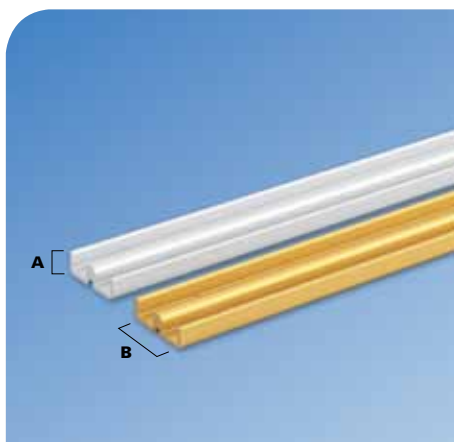
### Section through 56mm Roller

56mm Rollers have been designed so that no part of the roller is visible from one side and can accommodate a door thickness upto 70mm.



### Threshold Alternatives

With Vistafold you can have the doors folding inwards or outwards with a rebated sill or a flat threshold. Cills and thresholds not supplied by B.C.L

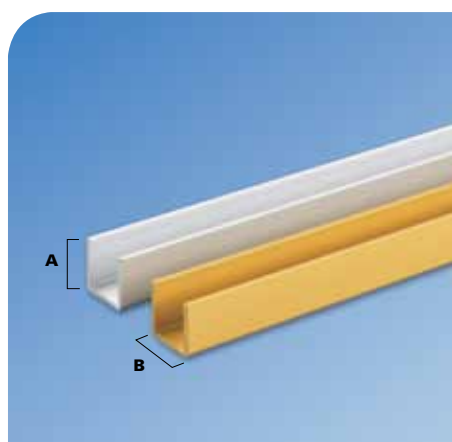


### Bottom Track 815A

Available in Silver or Gold Anodised Aluminium

Stock Lengths - 1800 mm and 3600 mm

A 8 mm B 25 mm



### 19LA Top Guide Channel

Available in Silver or Gold Anodised Aluminium.

Stock Lengths -1800 mm and 3600 mm

A 21 mm B 21 mm



### Gold Anodised Hardware

Please specify colour preferences when ordering;

S - Silver Anodized

G - Gold Anodized

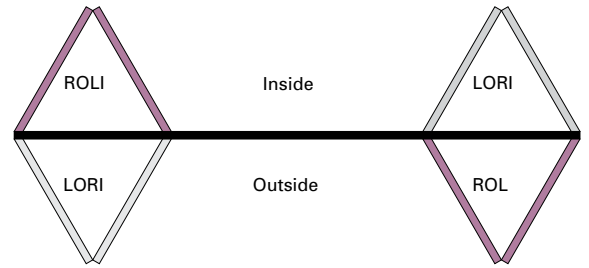


# Vistafold kit selection

Kits suitable for both inward or outward opening

To select your hardware you must;

1. Select the correct hardware based upon door thickness, door layout and finish. Use the guide opposite for selecting either ROLI or LORI kits where required. Track and channel is included. Kits can be combined. For example: VFD-3-44S + VFD-2-44-R-S.
2. Weatherseals, brush strips and locks are also available - call our sales office for details.



| Layout | Options                        | Silver Anodised Finish | Gold Anodised Finish |
|--------|--------------------------------|------------------------|----------------------|
| /      | Hinge Mounted With Flush Bolts | VFD-1HB-S              | VFD-1HB-G            |
|        | Hinge Mounted Only             | VFD-1H-S               | BFD-1H-G             |

| Layout | Options                           | Silver Anodised Finish      | Gold Anodised Finish        |
|--------|-----------------------------------|-----------------------------|-----------------------------|
| ^      | 44mm doors only ROLI (LORI)       | VFD-2-44-R-S (VFD-2-44-L-S) | VFD-2-44-R-G (VFD-2-44-L-G) |
|        | 56+mm doors / Outward ROLI (LORI) | VFD-2-56-R-S (VFD-2-56-L-S) | VFD-2-56-R-G (VFD-2-56-L-G) |

| Layout | Options         | Silver Anodised Finish | Gold Anodised Finish |
|--------|-----------------|------------------------|----------------------|
| N      | 44mm doors only | VFD-3-44-S             | VFD-3-44-G           |
|        | 56+mm doors     | VFD-3-56-S             | VFD-3-56-G           |

| Layout | Options                     | Silver Anodised Finish      | Gold Anodised Finish        |
|--------|-----------------------------|-----------------------------|-----------------------------|
| M      | 44mm doors only ROLI (LORI) | VFD-4-44-R-S (VFD-4-44-L-S) | VFD-4-44-R-G (VFD-4-44-L-G) |
|        | 56mm + doors ROLI (LORI)    | VFD-4-56-R-S (VFD-4-56-L-S) | VFD-4-56-R-G (VFD-4-56-L-G) |

| Layout | Options         | Silver Anodised Finish | Gold Anodised Finish |
|--------|-----------------|------------------------|----------------------|
| W      | 44mm doors only | VFD-5-44-S             | VFD-5-44-G           |
|        | 56mm + doors    | VFD-5-56-S             | VFD-5-56-G           |

| Layout | Options                     | Silver Anodised Finish      | Gold Anodised Finish        |
|--------|-----------------------------|-----------------------------|-----------------------------|
| W      | 44mm doors only ROLI (LORI) | VFD-6-44-R-S (VFD-6-44-L-S) | VFD-6-44-R-G (VFD-6-44-L-G) |
|        | 56+mm doors ROLI (LORI)     | VFD-6-56-R-S (VFD-6-56-L-S) | VFD-6-56-R-G (VFD-6-56-L-G) |

| Layout | Options         | Silver Anodised Finish | Gold Anodised Finish |
|--------|-----------------|------------------------|----------------------|
| W      | 44mm doors only | VFD-7-44-S             | VFD-7-44-G           |
|        | 56+mm doors     | VFD-7-56-S             | VFD-7-56-G           |

| Layout | Options         | Silver Anodised Finish | Gold Anodised Finish |
|--------|-----------------|------------------------|----------------------|
| ^ ^    | 44mm doors only | VFD-2+2-44-S           | VFD-2+2-44-G         |
|        | 56+mm doors     | VFD-2+2-56-S           | VFD-2+2-56-G         |

| Layout | Options         | Silver Anodised Finish | Gold Anodised Finish |
|--------|-----------------|------------------------|----------------------|
| M M    | 44mm doors only | VFD-4+4-44-S           | VFD-4+4-44-G         |
|        | 56+mm doors     | VFD-4+4-56-S           | VFD-4+4-56-G         |

# Sliding door accessories



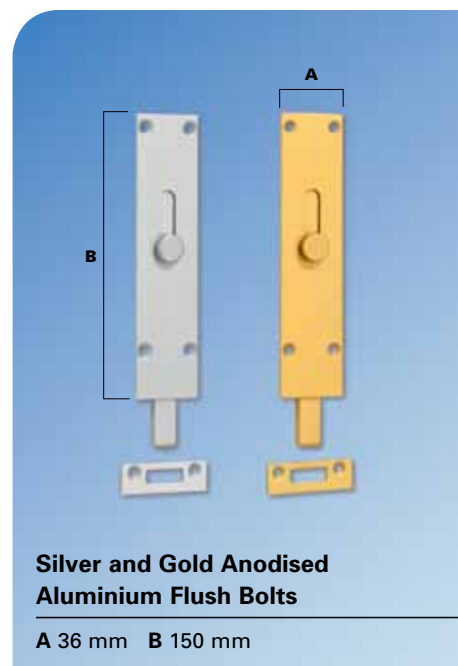
Shown is our range of Sliding Door Accessories including;

- Sliding Door Locks
- Sliding Door Furniture



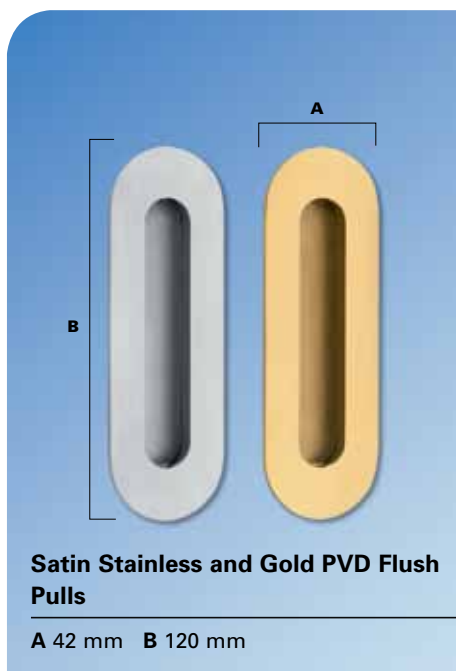
**Silver and Gold Anodised Aluminium Flush Pulls**

A 42 mm B 112 mm



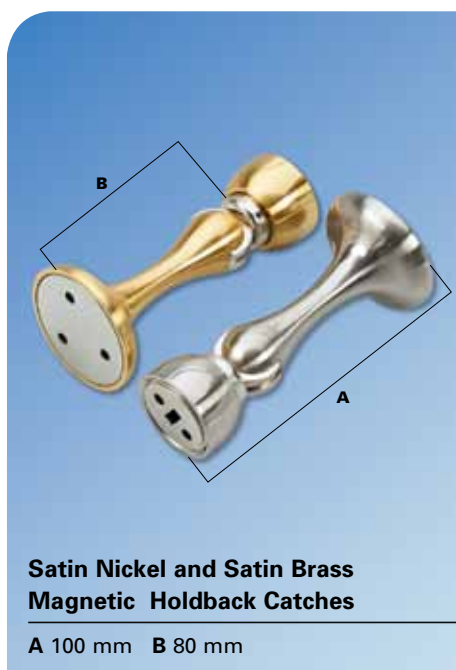
**Silver and Gold Anodised Aluminium Flush Bolts**

A 36 mm B 150 mm



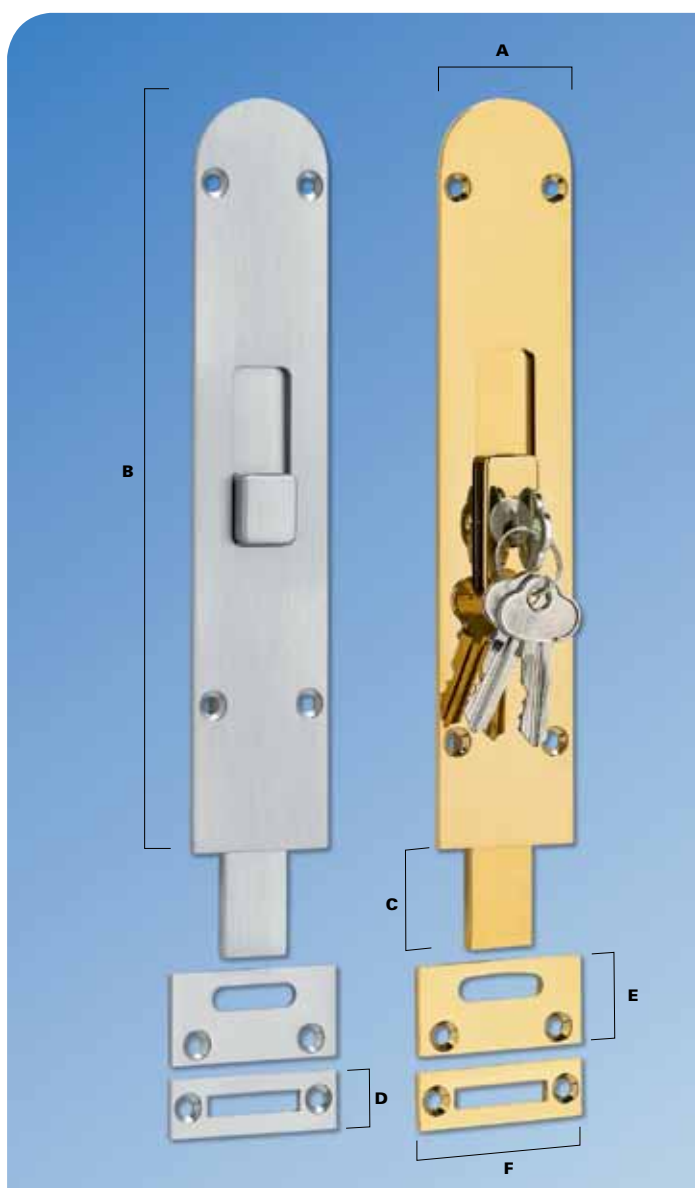
**Satin Stainless and Gold PVD Flush Pulls**

A 42 mm B 120 mm



**Satin Nickel and Satin Brass Magnetic Holdback Catches**

A 100 mm B 80 mm



**Satin Nickel and PVD Gold lockable and non-lockable Flush Bolts**

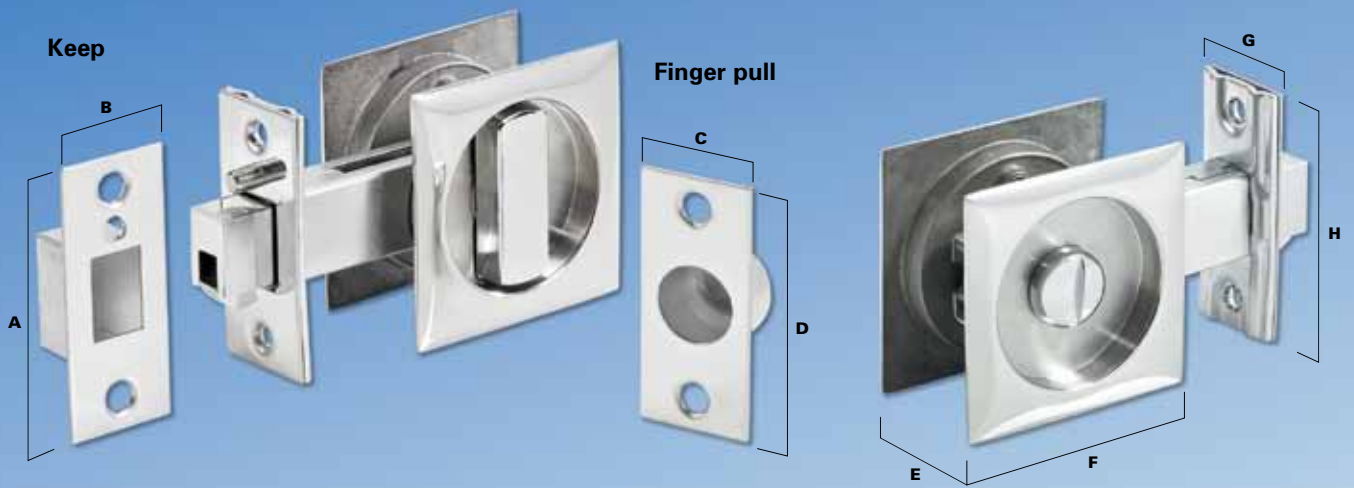
Available in 210mm and 400mm lengths. Also available with an offset shoot. Complete with 2 designs of floor plate.

A 42 mm B 210, 400 or 800 mm C 29 mm D 16 mm E 26 mm F 51 mm



**Router Bit**

Can be used for both round edged flush bolts and round edged flush handles



### Sliding Door Latch Kit

Available in 2 finishes - Satin Stainless or Polished Chrome. Also available with either 1 snib and 1 coin release or 2 snibs.

A 61 mm B 26mm C 58 mm D 26 mm E 35-44 mm F 60 mm G 61 mm H 26 mm



### Hybrid Lock and Ram Keep

Ideal for folding sliding doors as it has an adjustable non-handed keep and a hook latch so that the doors cannot be folded if the flush bolts are unlocked. Another benefit is that the latch can be operated via the key so if preferred no handle on the folding side can be an option.

A 30mm B 250mm C 52mm D 38mm E 41mm F 22mm G 17mm H 92mm I 183mm



### Vistafold Lever Handles

Silver and Gold Anodised finishes.  
Key escutcheons also available.



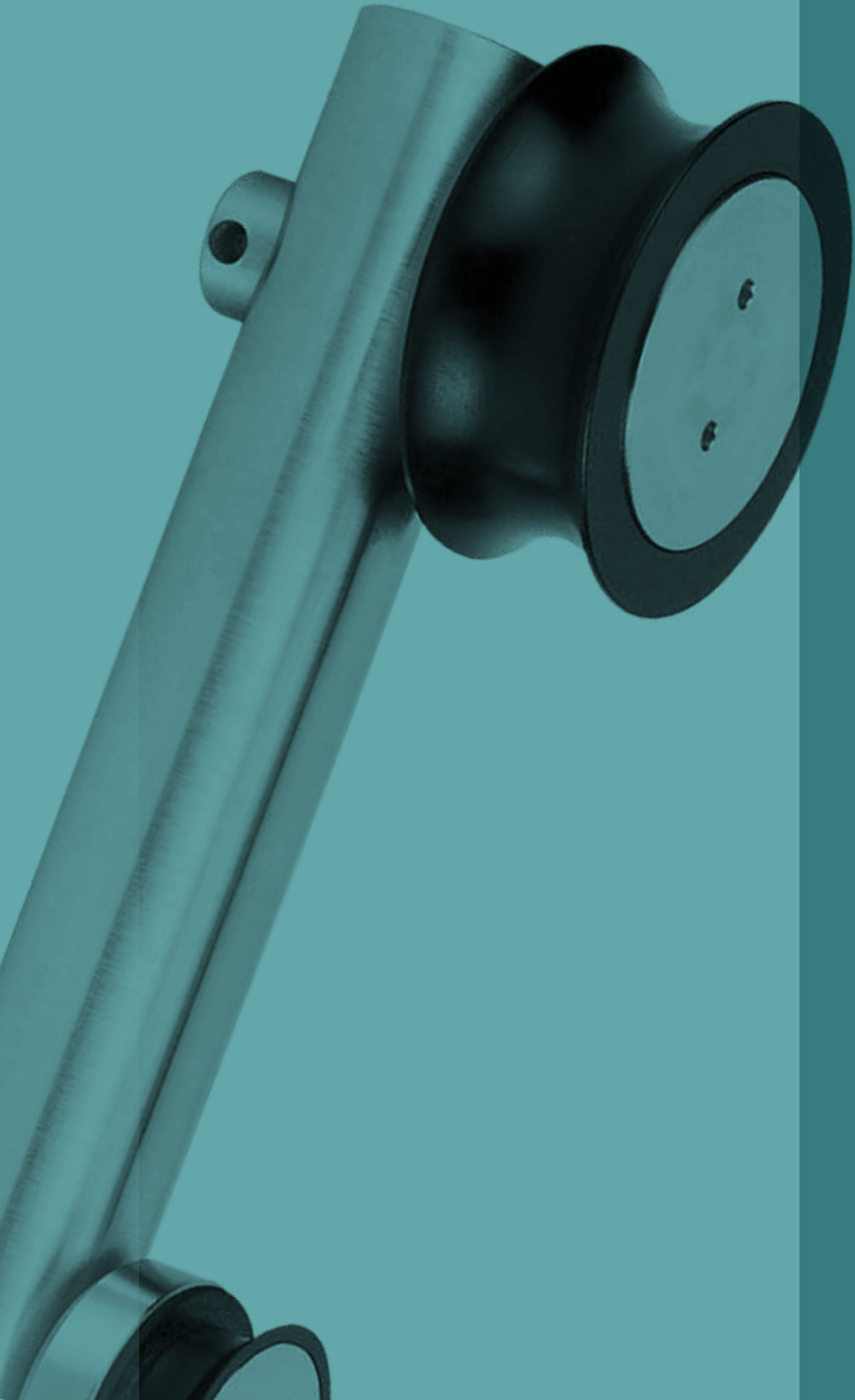
### Barrierfold Lever Handles

Polished Chrome or Polished Gold PVD.  
Key escutcheons also available.



Portavant installation





# Glass Sliding Hardware

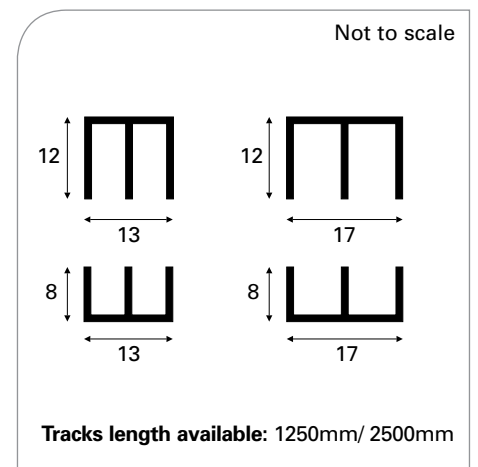


# Dura and Durus

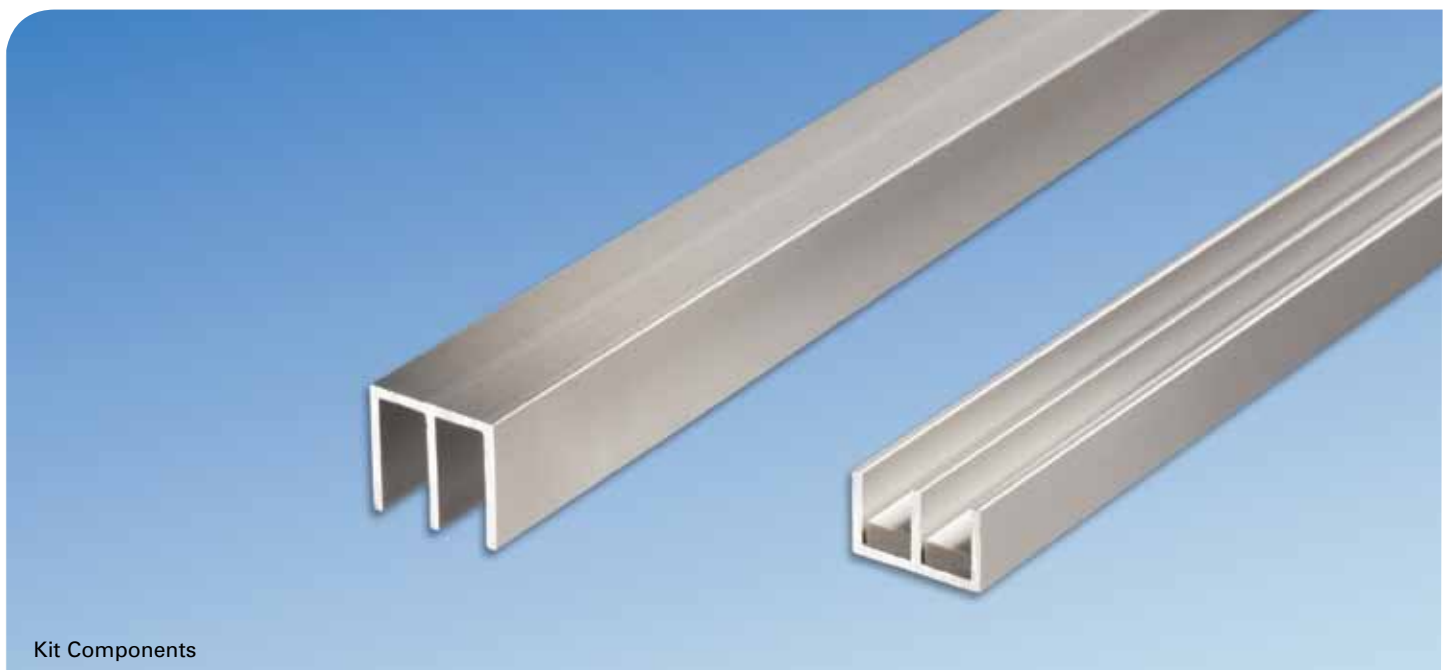
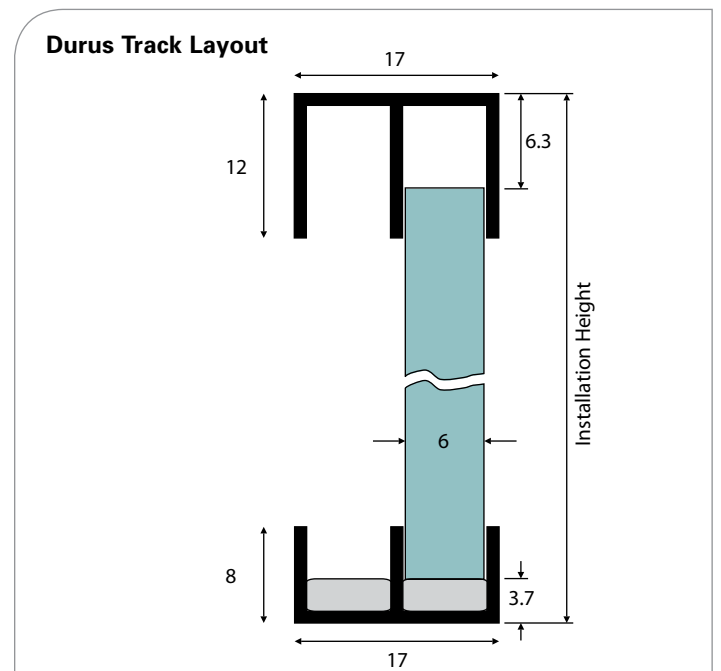
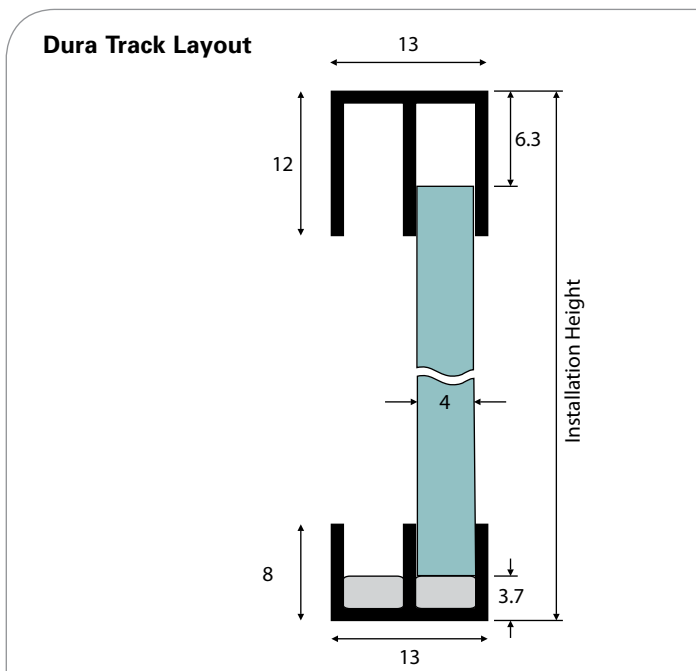


|                 | Dura | Durus |
|-----------------|------|-------|
| Glass thickness | 4mm  | 6mm   |

The Dura and Durus are twin track systems for 4mm and 6mm glass sliding doors on bi-passing cabinet and cupboards. The top and bottom track are precision aluminium profiles in a silver anodised finish. The bottom track has grey nylon continuous slides. Normally supplied in kits containing top and bottom tracks complete with slides. No glass drilling or cutting required. No locking device is available.



**Ideal for:** Small glass cabinet and cupboard sliding doors



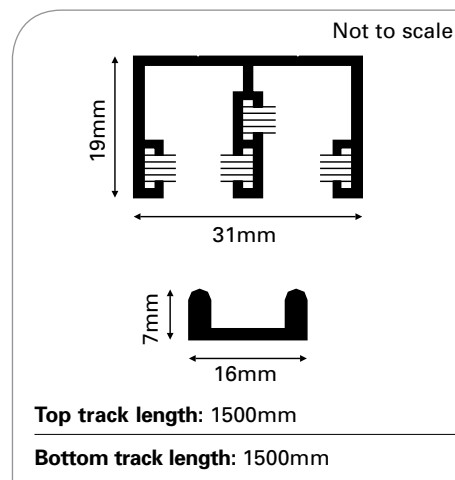
Kit Components

# Hatch glass

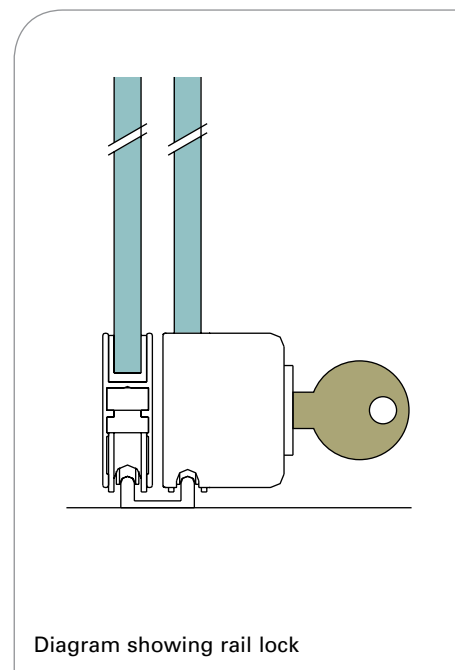
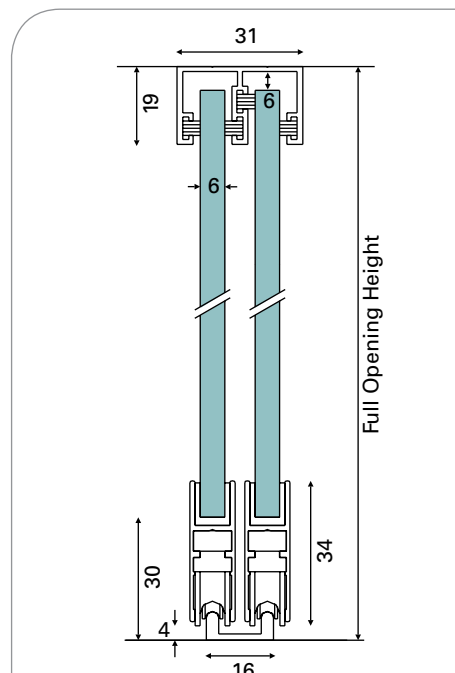
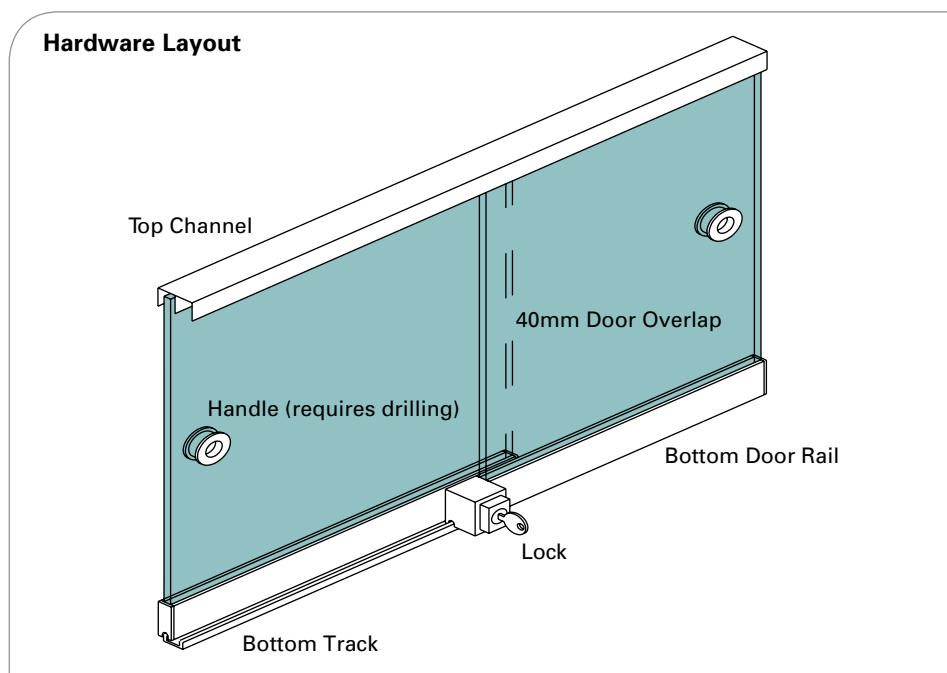


|                                       |         |
|---------------------------------------|---------|
| Number of doors                       | 2       |
| Maximum door weight                   | 20 kg   |
| Maximum door width (excludes overlap) | 750 mm  |
| Maximum opening width                 | 1500 mm |
| Maximum door height                   | 1000 mm |
| Glass thickness                       | 6 mm    |

Bottom rolling, bi-passing, sliding system for a pair of glass cabinet or light cupboard doors. The tracks are precision, aluminium profiles and the concealed bottom rollers have nylon tyres and sealed ball bearings. The system is supplied as a kit finished in a mix of polished chrome and silver anodised aluminium. Glass requires no drilling or preparation apart from a 22mm hole for the handles.



**Ideal for:** Small glass cabinet, cupboard doors and reception hatches



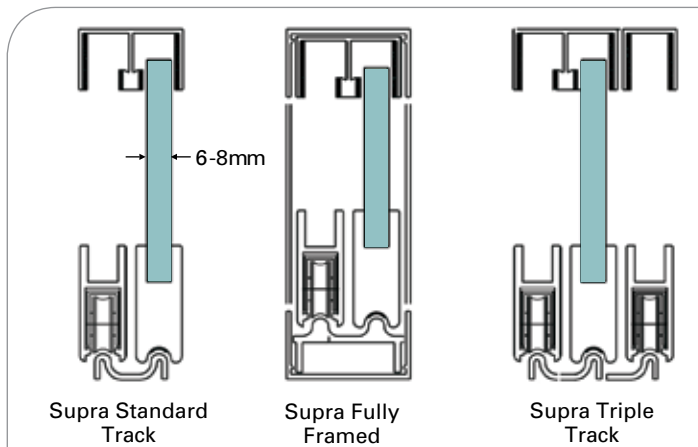
# Supra and Robustus



| System                          | Supra  | Robustus |
|---------------------------------|--------|----------|
| Maximum door weight - 2 Rollers | 25 kg  | 70 kg    |
| Maximum door weight - 4 Rollers | 50 kg  | 140 kg   |
| Glass thickness                 | 6-8 mm | 10-12 mm |

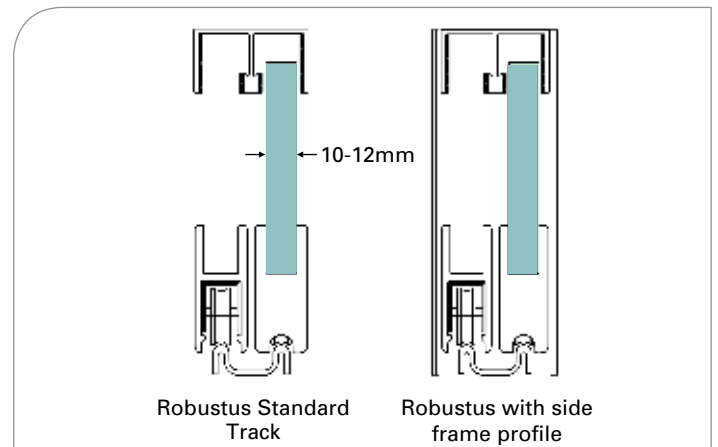
High quality sliding door systems for bi-passing doors with many applications including servery hatches, reception counters, cabinets and wardrobes. The tracks and channels are precision Aluminium profiles in a silver anodised finish. The rollers have high load precision ball bearings and nylon tyres. The systems are available from stock and supplied in component form against individual specifications. No notching or drilling of the glass is required. Please contact our sales office for more information.

**Ideal for:** Reception hatches, cabinets and wardrobes



## Supra section details

- Twin or triple tracks
- Fully framed (4 sides) profiles
- Vertical side frames complete with Dampers



## Robustus section details

- Twin tracks
- Vertical side frames complete with Dampers



Rollers are effortlessly placed in rail



Display Cabinet Application



### Bottom Tracks

The narrow Supra twin and single tracks are fitted with adhesive tape for fast and easy installation.

The Robustus track must be screwed in position.

Stock length - 2500mm



### Top Tracks

All top tracks have non-wearing flock to the inner faces for quiet running and non-rattle action.

Stock length - 2500mm



### Frame Profiles - Horizontal

Both Supra and Robustus are available with a top frame. Only Supra is available with a bottom profile (Twin only)

Stock length - 2500mm



### Frame Profiles - Vertical

Both systems offer side frames incorporating a damper/dust seal strip. Vertical brush strips fitted to the glass overlap are also available.

Stock length - 2500mm



### Bottom Rail

The roller assemblies are fully enclosed in the door rail and the wheel is enclosed in a stainless steel housing.

Stock length - 2500mm



### Bottom Roller

All rollers incorporate fully tested, high load precision bearings with nylon tryes.



### Locking System

Both systems can be supplied with the patented "Secura" dead bolt lock incorporated into the door rail. The "L" cam of the lock interlocks with the two door rails prevent the doors being forced apart. Top dampers also stop door being lifted off the tracks.



### Lock Cylinder

The lock cylinder is supplied separately, either keyed alike or to differ. A "Red" cylinder removal key is also available.



### Rail Options

The finger pull, lock keep and lock are all dimensionally coordinated.

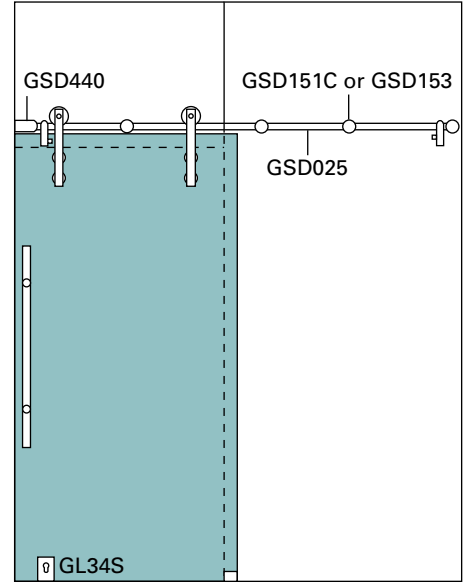
# G Tech sliding



|                      |         |
|----------------------|---------|
| Maximum door height: | 2500mm  |
| Maximum door width:  | 1360mm  |
| Maximum door weight: | 100kg   |
| Glass thickness      | 10-12mm |

A contemporary system for internal doors. All the hardware is manufactured from stainless steel (grade 304) with a superb satin finish. Recommended lock GL34S (see page 10).

Note: The roller hangers and also bracket GSD151C are available for either countersunk or standard holes in the glass. Please contact our sales office for more information.



## GSD400C

Door Pack containing two roller hangers, 2 door stops and a floor guide.

## GSD025

Door Rail 3000mm stock length (cut to size if required) and supplied with endcaps where necessary.



## GSD151C

Rail bracket for glass door to glass panel fixing.



## GSD153

Rail bracket for glass door to wall fixing. Note: We will supply the correct number of brackets against details of door size and application.



## GSD440

Rail end bracket, recommended when the end of the rail abuts a 90° wall.

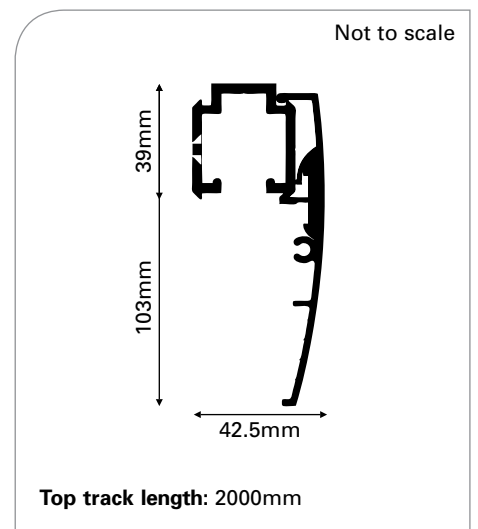


# Slak

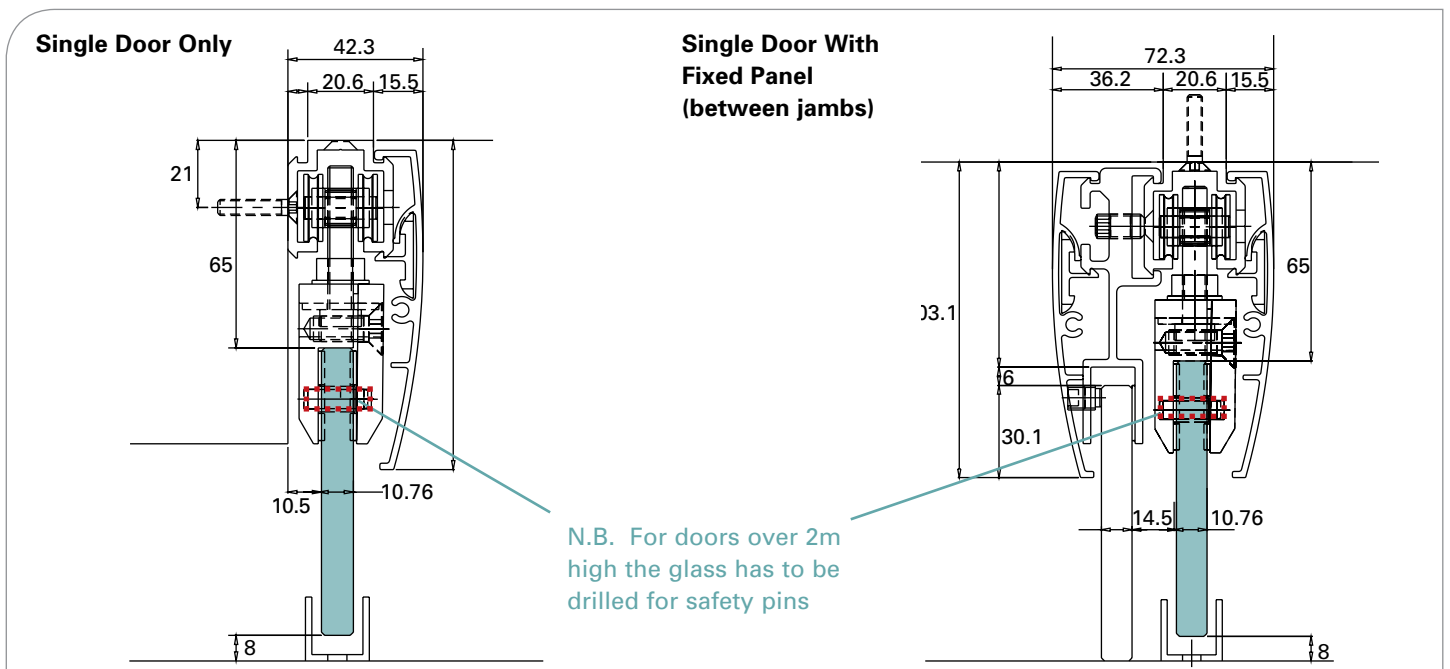


|  |         |
|--|---------|
| Maximum door weight                    | 75 kg   |
| Maximum door width (excluding overlap) | 1000 mm |
| Maximum opening width                  | 1000 mm |
| Maximum door height                    | 2400 mm |
| Glass thickness                        | 8-10 mm |

Glass sliding system with an aluminium anodised track that can be directly soffit or side fixed to a structure without the need for brackets. High quality 4 wheel hangers with nylon tyres and bearings. Kit includes a clip-on pelmet, end stops, end plates, door guide and handle. Glass requires drilling only for the handle or if door is over 2m high.



**Ideal for:** residential and commercial glass sliding door

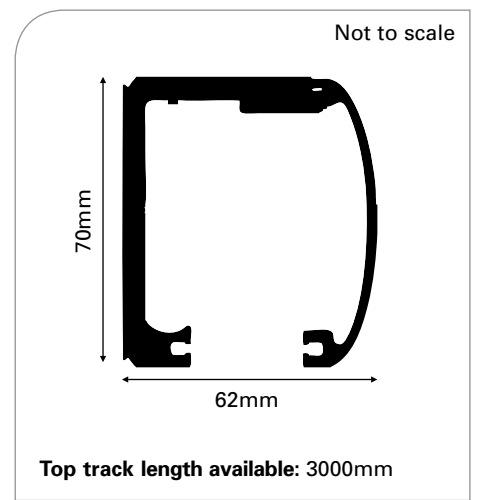


# Portavant



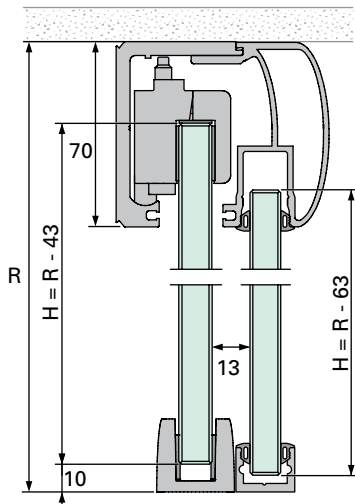
| System                | 1 Softclose | No softclose |
|-----------------------|-------------|--------------|
| Maximum door weight   | 80 kg       | 120 kg       |
| Maximum door width    | 1050 mm*    | 720 mm       |
| Maximum opening width | 2100 mm     | 1440 mm      |
| Maximum door height   | 2625 mm     | 1800 mm      |
| Glass thickness       | 8-12 mm     | 8-12 mm      |

Portavant is a flexible system that gives the option of either single, double soft stop or no soft stop. The later increases the maximum door weight to 120kg. High quality German precision components with options of wall, glass or ceiling fixing make this hardware ideal for high end projects, both commercial and residential. Silver anodised finish. \*Minimum door width may apply. Call for details.

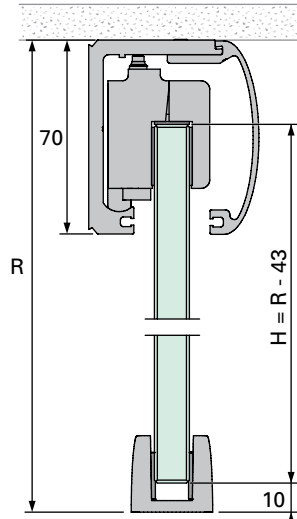


**Ideal for:** Residential and commercial glass doors

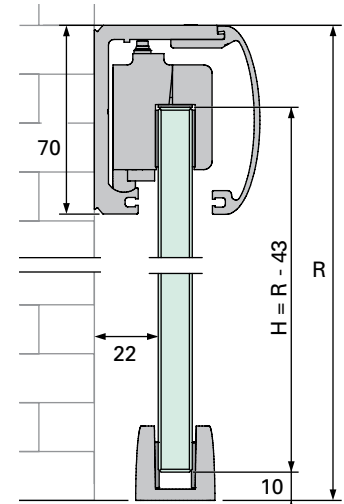
## Various installation layouts



Door with fixed glazed panel soffit fixed



Single door soffit fixed



Single door side wall fixed



## Portavant Track Cover Options

Now available with either a round or straight faced cover.

Square cover is currently a special order item.

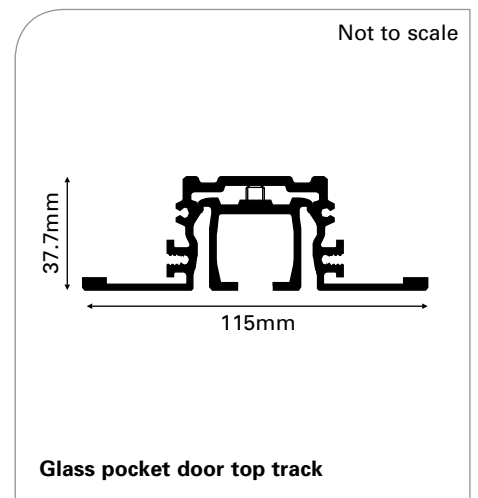


# Glass Pocket door kit



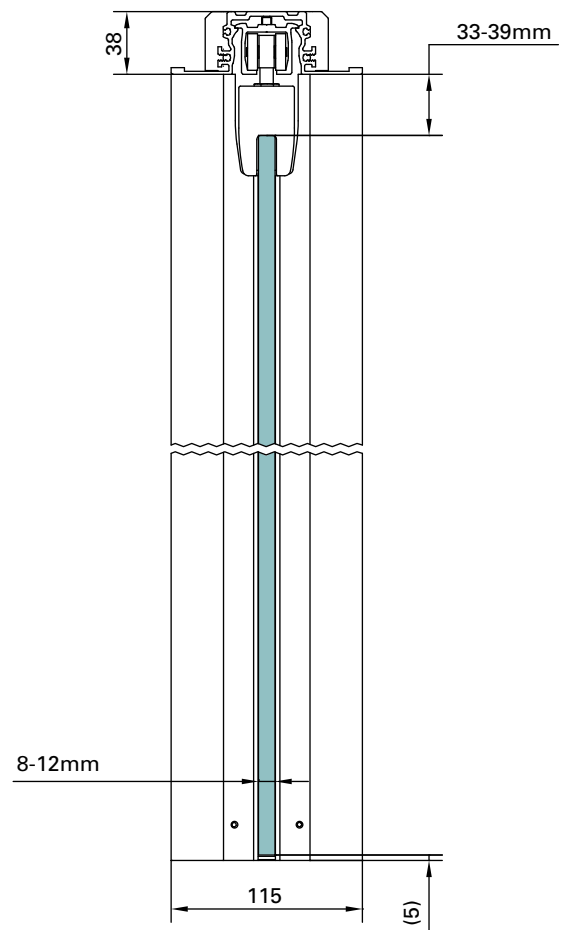
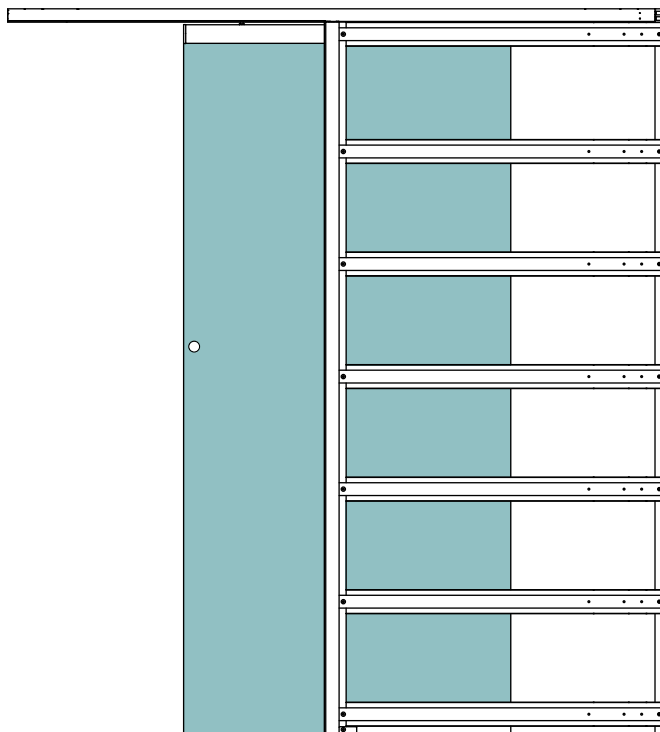
| System                | GPD1    | GPD2    |
|-----------------------|---------|---------|
| Maximum door weight   | 80 kg   | 80 kg   |
| Maximum door width    | 930 mm  | 1230 mm |
| Maximum opening width | 1860 mm | 2460 mm |
| Maximum door height   | 2526 mm | 2526 mm |
| Glass thickness       | 8-12 mm | 8-12 mm |

Following the success of our timber pocket door kit we now supply a glass pocket door system offering the same space saving benefits for openings up to 2460mm wide. With 2 standard kits offering a variety of different sizes, each pack includes all components except the glass and door furniture. Please call for details and lead times as these kits are ordered specifically for each individual project.



**Ideal for:** Residential and commercial glass sliding doors

## Installation Layouts



**Note:** 2 bi-parting doors can be achieved by joining the kits together

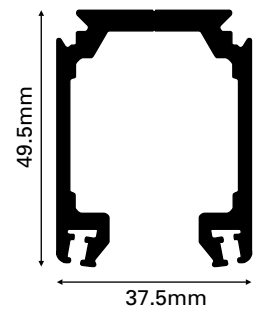
# SDT 120



|  |         |
|--|---------|
| Maximum number of doors                | 1       |
| Maximum door weight                    | 100 kg  |
| Maximum door width (excluding overlap) | 1500 mm |
| Maximum opening width                  | 1500 mm |
| Maximum door height                    | 2400 mm |
| Glass thickness                        | 10-12mm |

The SDT glass door sliding system has a myriad of options for designers to choose from. The track can be soffit fixed, and combined with a fixed panel profile. The hangers are high quality with ball bearing nylon wheels giving a smooth near silent operation. Hangers can be fitted to either rounded or square patch fittings or to our standard door rail. Patch fittings and door guide are finished in satin stainless. Door rails are finished with either satin stainless or polished chrome covers and are made to measure.

Not to scale



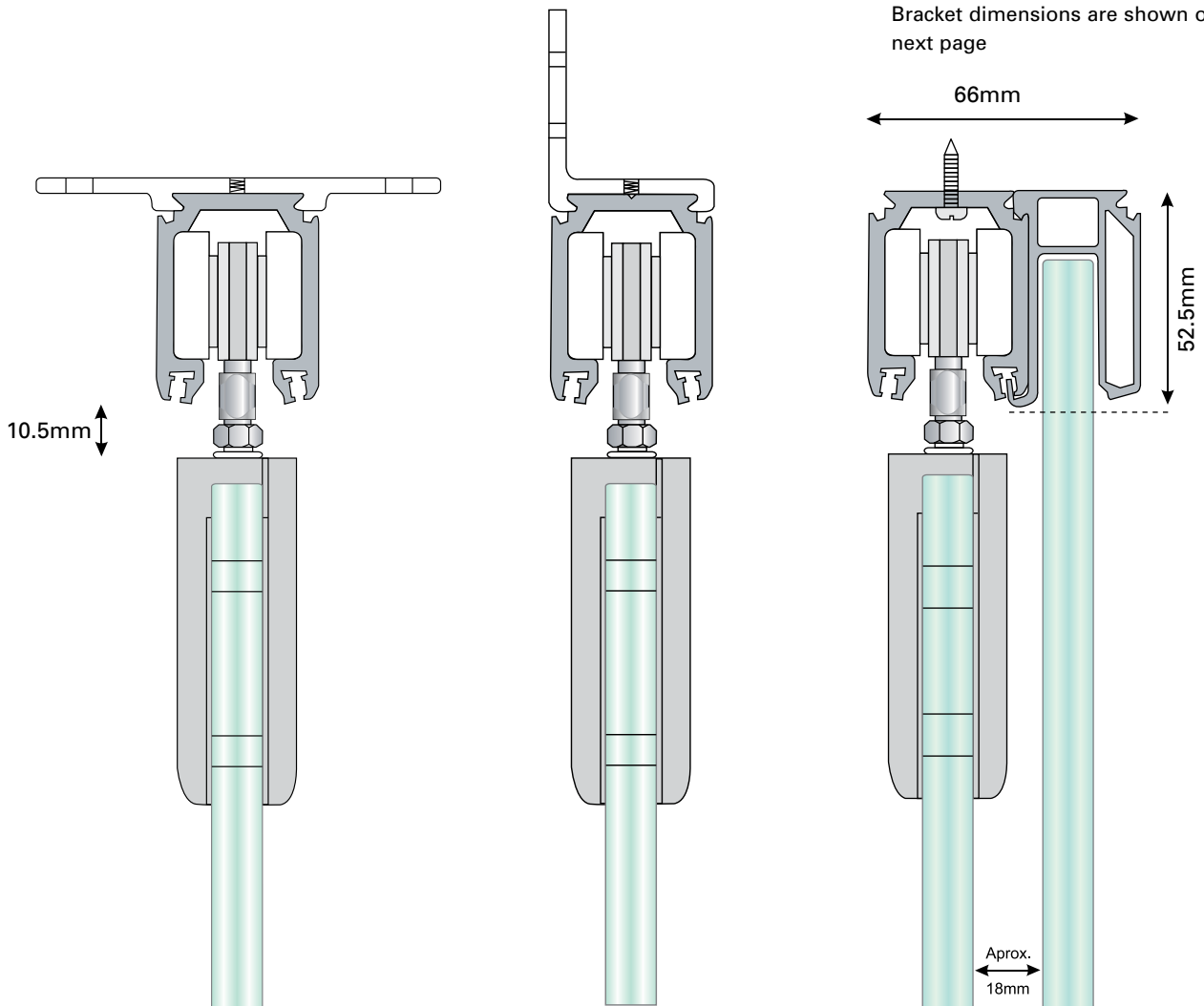
Top track length: 3000mm

**Ideal for:** Residential and commercial glass sliding doors

## Typical Layouts

Below are options for fixing the track to a structural support. In each diagram the hanger shown is a RH 68 but all hanger options can be used.

Bracket dimensions are shown on next page



Soffit Fix Bracket

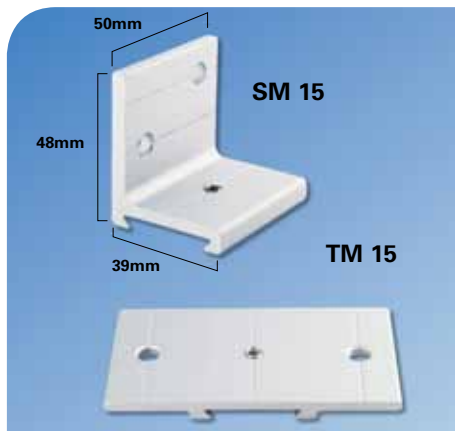
Side Fix Option

Direct Fix Track  
(Shown with optional fixed side panel profile)



**SDT 120 TOP TRACK**

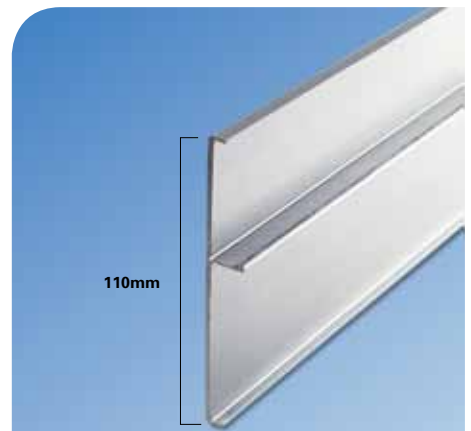
Available in 1500mm or 3000mm Lengths  
Silver Anodised Aluminium.



**SM 15 & TM 15 TRACK BRACKETS**

5 Required for 3000mm track  
3 Required for 1500mm track

Silver Anodised Aluminium



**ACC 150 PELMET**

Available in 1500mm or 3000mm lengths.  
Long enough to cover the RH73W Patch fittings.

Silver Anodised Aluminium



**RH 68**

**RH 65**

**RH 65 & RH 68 HANGERS**

RH 65 Weight Capacity 65kg per pair  
RH 68 Weight Capacity 100kg per pair  
2 Hangers required per door

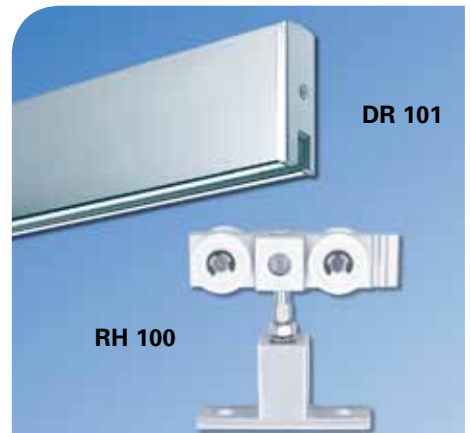
Satin Stainless Covers



**RH 73W PATCH FITTING HANGER**

RH 73W Weight Capacity 100kg per pair  
2 hangers required per door

Satin Stainless Covers



**RH 100**

**DR 101**

**RH 100 DOOR RAIL HANGER**

RH 100 Weight capacity 100kg per pair  
Used in conjunction with DR 101 door rail which is available in Satin Stainless or Polished Chrome finishes  
Rails are made to measure so call for details



RH 65 Hanger in Track



**BG 15S**

**ESH 15**

**BG 15S DOOR GUIDE & ESH 15 TRACKSTOP**

BG 15S Door Guide  
Satin Stainless finish

ESH 15 Trackstop fits inside SDT Track

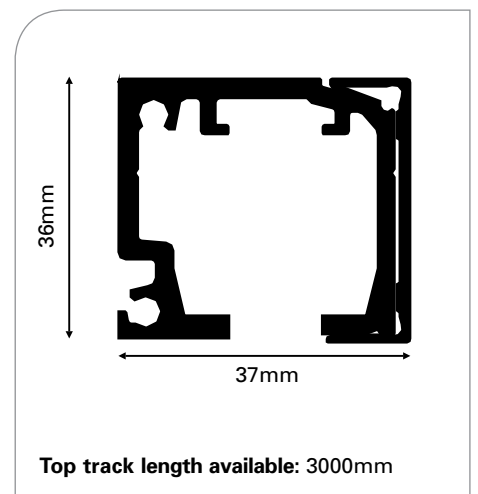


# Compact glass



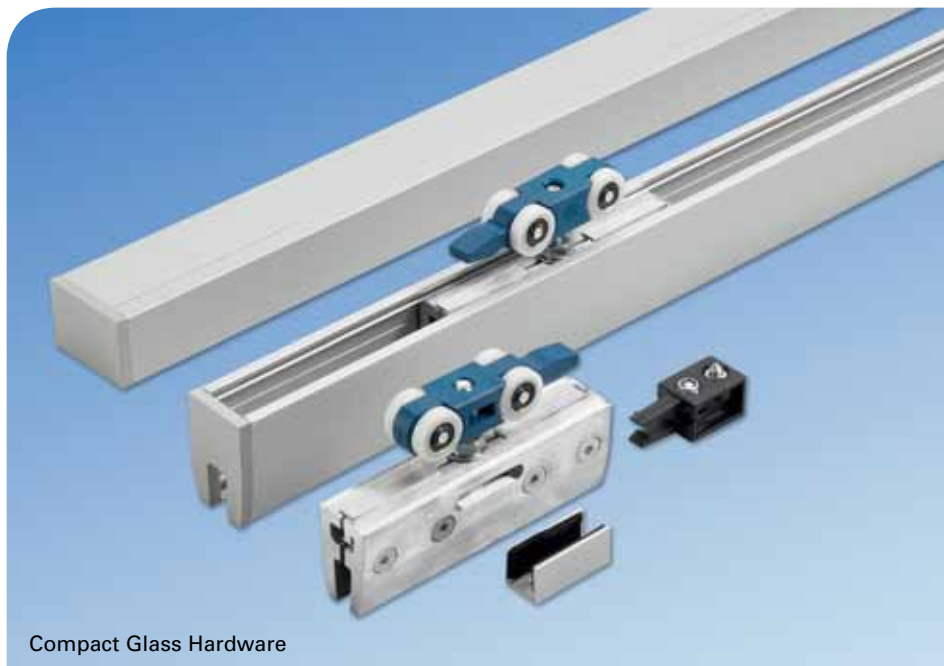
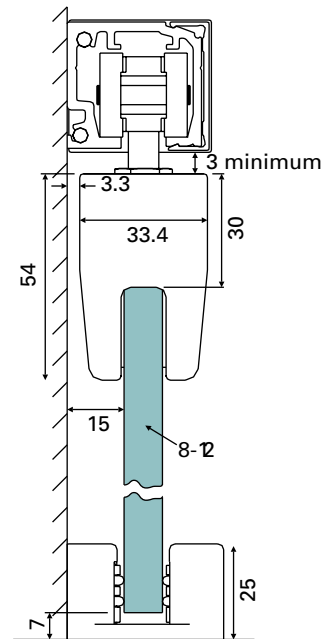
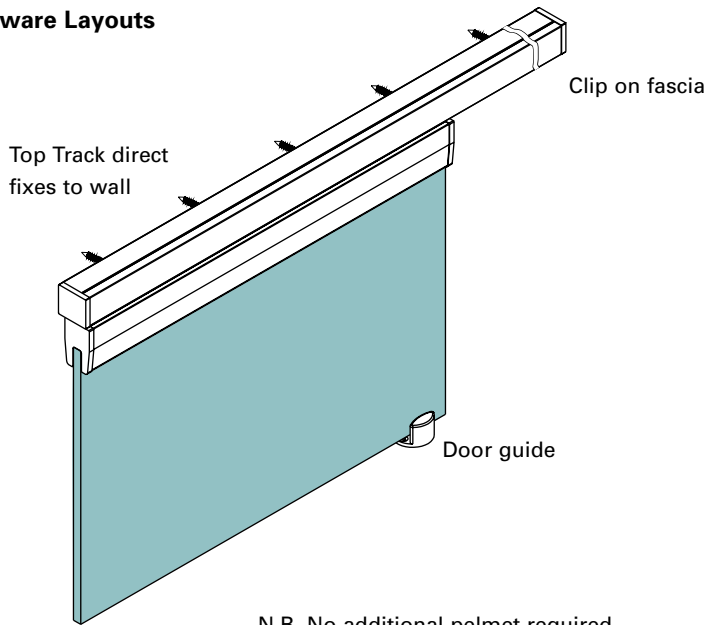
|  |         |
|--|---------|
| Maximum door weight                    | 80 kg   |
| Maximum door width (excluding overlap) | 1500 mm |
| Maximum opening width                  | 1500 mm |
| Maximum door height                    | 2100 mm |
| Glass thickness                        | 8-12 mm |

Sliding glass door system for residential or commercial doors requiring a minimalist look and a small gap between glass rail and track. Features include direct side track fixing with clip on fascia to conceal fixing holes, nylon wheels with bearings and end stops that hold the door open or closed. Glass does not require preparation as it is held by clamps. Silver anodised finish only. Comes with softclose feature as standard.



**Ideal for:** Residential and commercial glass doors with limited headroom

## Hardware Layouts



Compact Glass Hardware



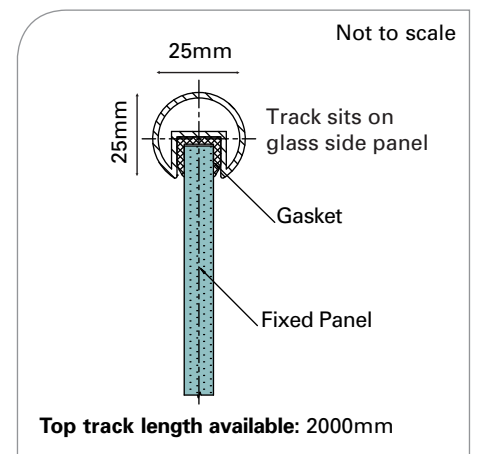
Track and carrier

# Lisus M2 shower



|                     |         |
|---------------------|---------|
| Maximum door weight | 80 kg   |
| Maximum door width  | 1000 mm |
| Maximum door height | 2000 mm |
| Glass thickness     | 10 mm   |

The Lisus M2 Shower door system comprises of a pair of direct fix rollers and a tubular track that is notched so that it directly sits on top of a fixed side glass panel. There are also the options of fixing the ends of the tracks between either glass panels or walls. All components in grade 316 stainless steel - satin finish. The hardware is sold in kits including hangers, track, brackets, bottom guide and seals. Handles and seals sold separately.



**Ideal for:** Residential and commercial glass shower doors

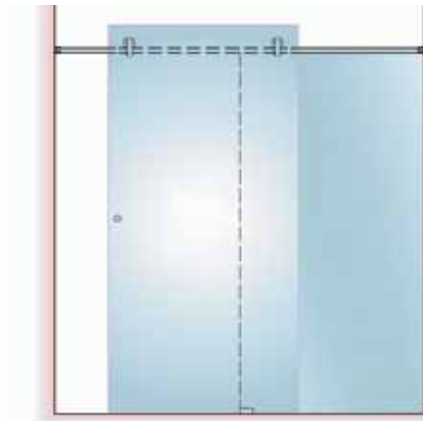
## M2 Hardware Layouts

Option A



Single door glass to wall

Option B



Single door wall to wall

Note: for wetroom applications only.

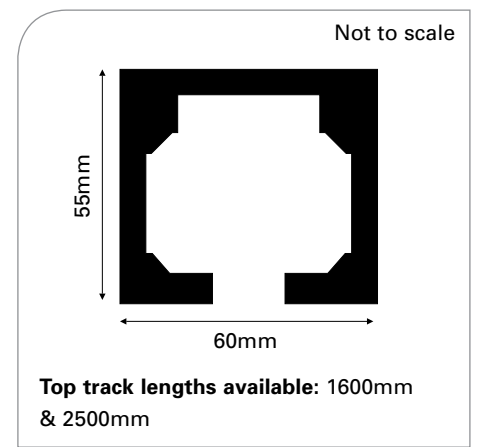


# Faltus



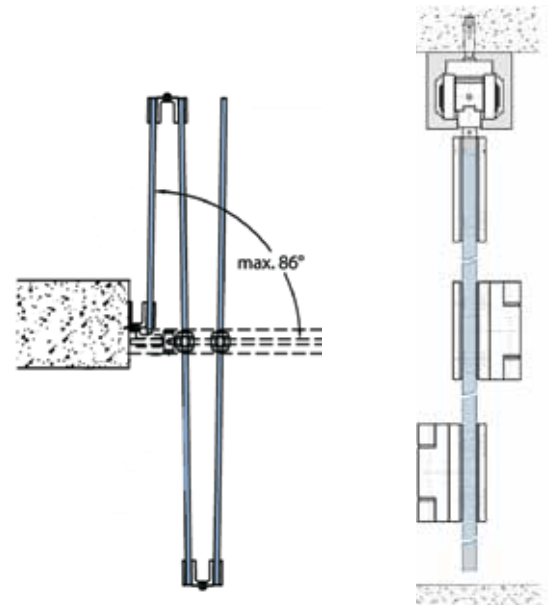
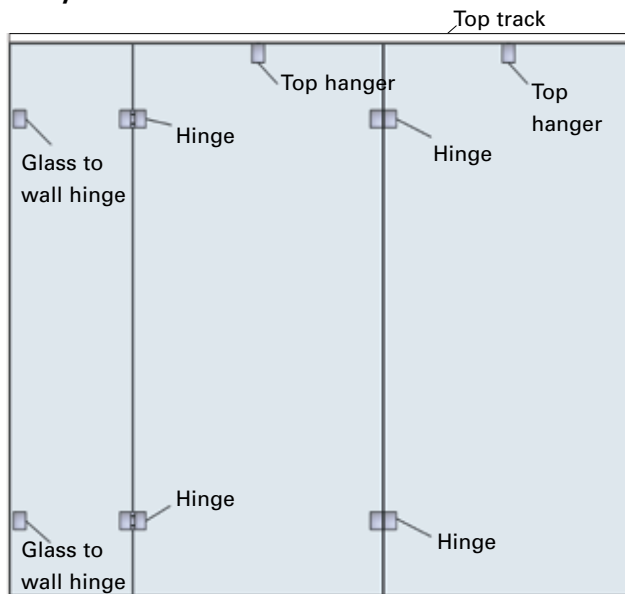
| System                     | Faltus 2 | Faltus 3 |
|----------------------------|----------|----------|
| Number of doors            | 2        | 3        |
| Maximum total glass weight | 100 kg   | 160 kg   |
| Maximum opening width      | 1600 mm  | 2500 mm  |
| Maximum door height        | 2500 mm  | 2500 mm  |
| Glass thickness            | 10 mm    | 10 mm    |

Faltus is a very neat, compact glass folding system that requires no floor channel or bolts. Using magnetic hinges, to keep the glass panels flat when closed, the system has a very minimalist look and is easy to set up and install. Comes in a Satin finish on all hardware and a silver anodised track. Suitable for either 2 or 3 panels (the 1st of which is half the width of 2nd or 3rd). Sold in kits.



**Ideal for:** Residential and commercial glass folding room dividers

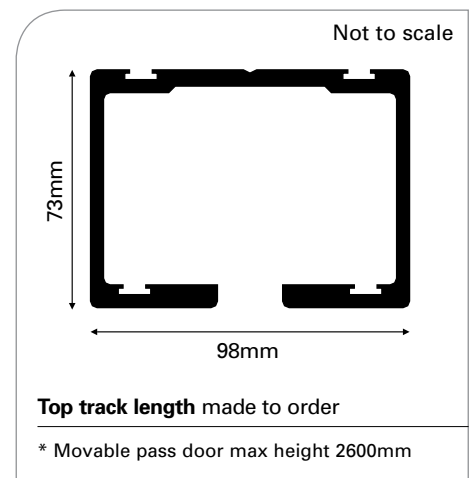
## Hardware Layout - 3 Door Set



# Barrierstack

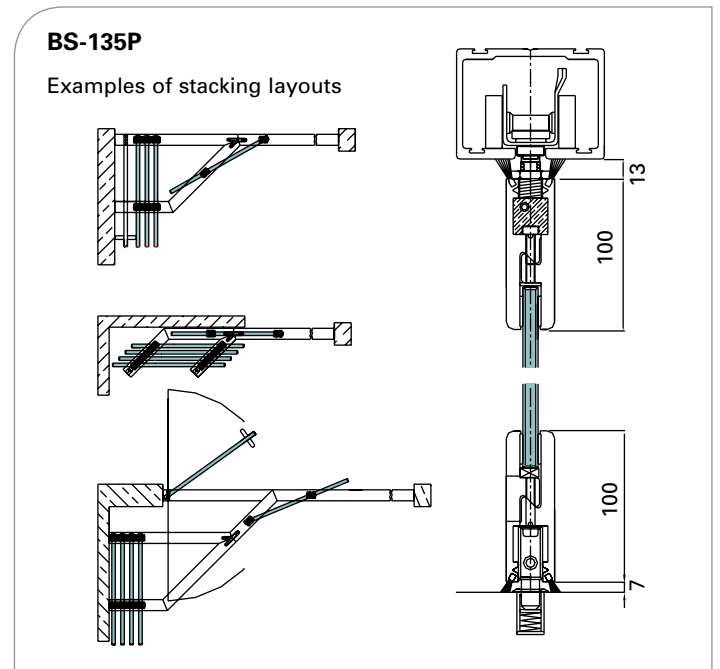
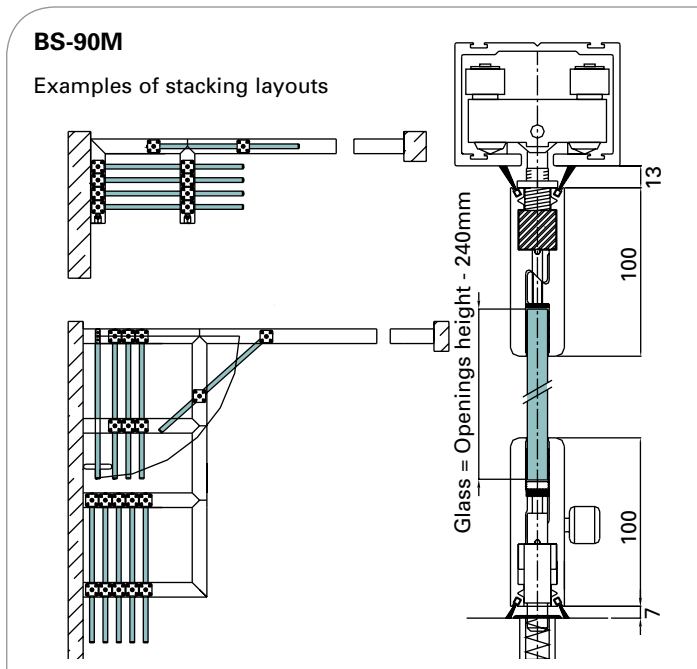


| System                | BS-90M    | BS-135P   |
|-----------------------|-----------|-----------|
| Maximum door weight   | 250 kg    | 400 kg    |
| Maximum door width    | 2000 mm   | 2000 mm   |
| Maximum opening width | Unlimited | Unlimited |
| Maximum door height   | 3500 mm*  | 3500 mm*  |
| Recommended thickness | 10-12 mm  | 10-12 mm  |



Barrierstack offers the ultimate in flexibility for individual stacking panel applications. Offering either a manual system with unlimited panel placement options or a programmable system enabling panel stacking in a predetermined pattern. Pass doors can also be incorporated anywhere along the system. Contact our sales office for further details.

**Ideal for:** Commercial glass partitions



# Sliding glass door accessories



An exciting range of tubular stainless steel handles. We offer the architect or designer a wide range of options and with the majority of handles in stock, we satisfy the needs of the fabricator or installer.

All finished in satin stainless steel except CFH65.

All pull handles are supplied as pairs with back to back fixings. Please contact our sales office for further information.



**200B**  
Pull Handle



**200B B3**  
Pull Handle



**GL53 Hook Lock**

Glass notching required  
Includes frame keep



**GL53K Glass Keep**

Glass notching required



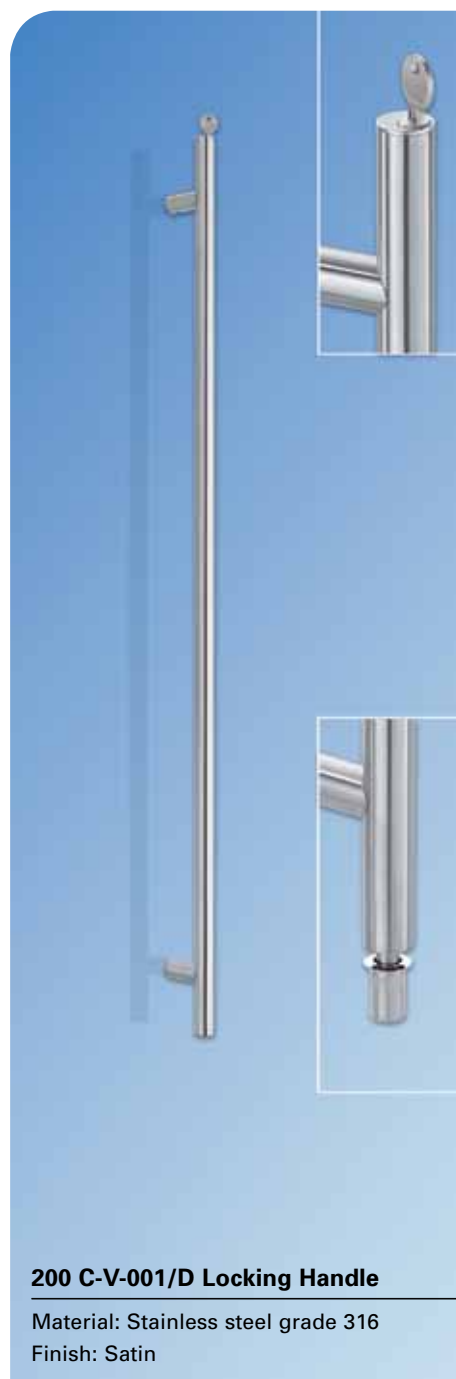
**GL34S Floor Lock**

Glass notching required



**CFH 65 Finger Pull**

Finish satin nickel  
Required 20mm  $\varnothing$  hole in glass



**200 C-V-001/D Locking Handle**

Material: Stainless steel grade 316  
Finish: Satin



# design+function+service

All specifications and dimensions are correct at the time of publication.  
We reserve the right to make amendments without notice.  
© Copyright Barrier Components Ltd.

Design by Shaw+Skerm  
[www.shawandskerm.com](http://www.shawandskerm.com)

industrial  
commercial  
residential

Barrier Components Ltd  
Unit 8  
Dolphin Point  
Dolphin Way  
Purfleet  
Essex RM19 1NR

tel 01708 891 515  
fax 01708 891 516

[sales@barrier-components.co.uk](mailto:sales@barrier-components.co.uk)  
[www.barrier-components.co.uk](http://www.barrier-components.co.uk)