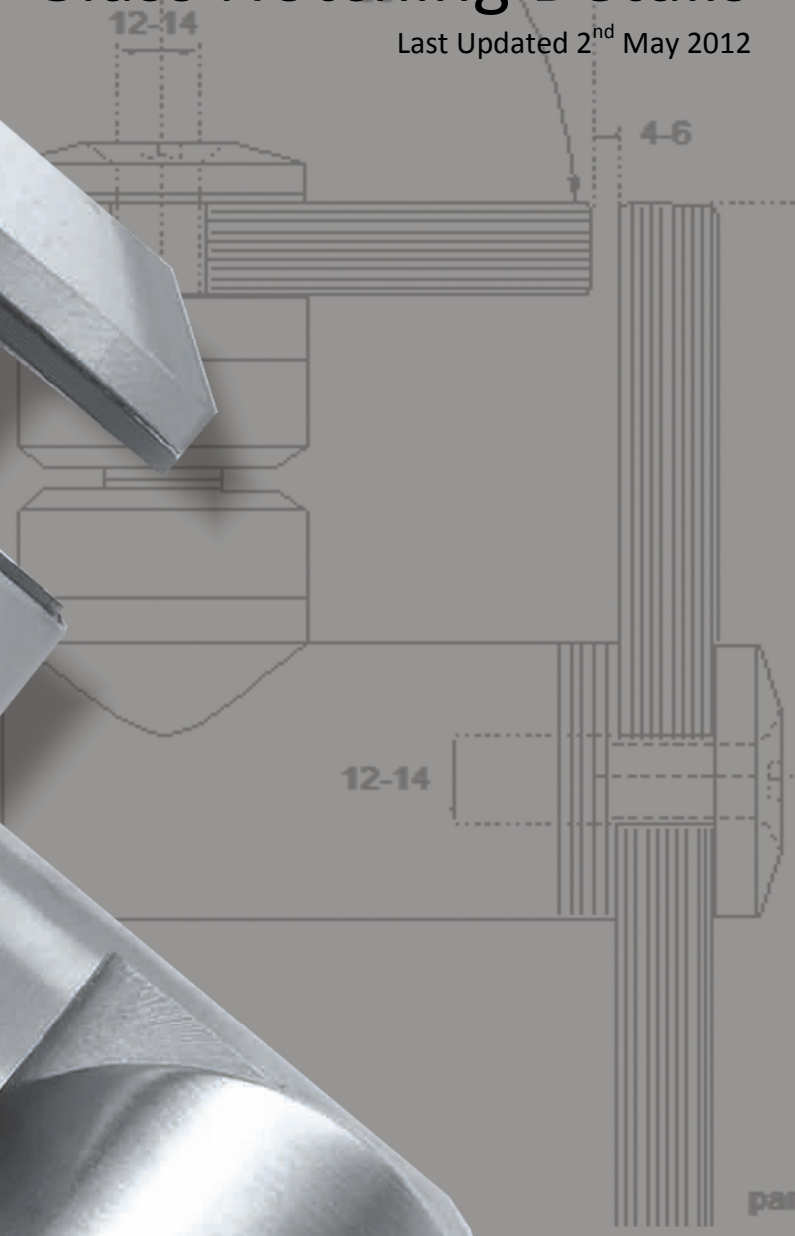
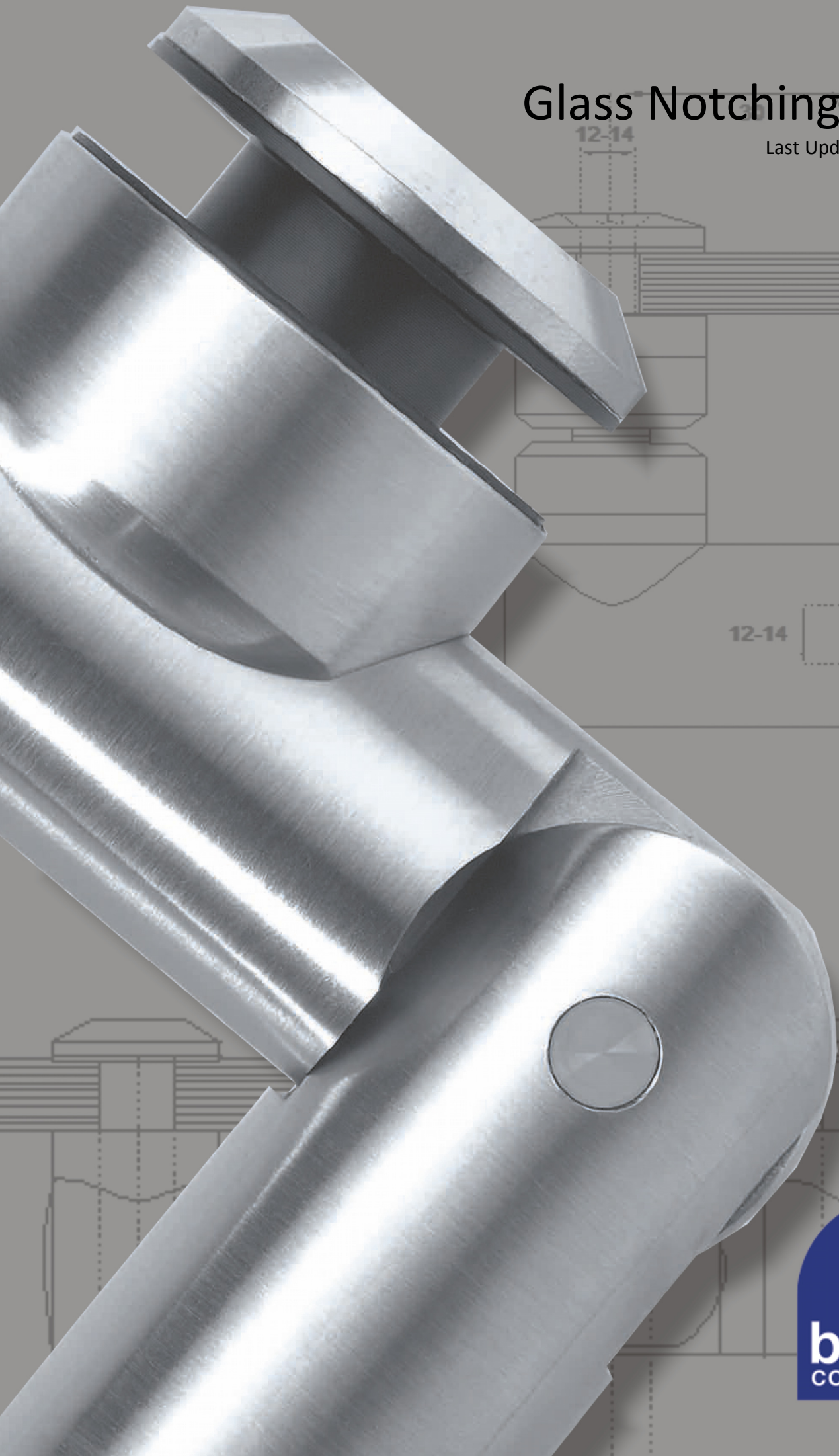


# Glass Notching Details

Last Updated 2<sup>nd</sup> May 2012



ironmongers

# Installation & Notching Details

## Contents

Product Code / Description	Page No.
Door Rail Details	3-9
GT10, GT20, GT30, GT40, GT40K, GT40S, GT40KS	10
GT41, GT41K	11
GL50S/CL, GL50K, GL53, GL53K	12
GT51	13
GT50/2KS, GT70, GT71	14
GT80, GT81	15
GL52, GL52K, GT73W	16
CL Clamp	17-18
GX992.1, GX992.1B, GX992.2, GX992.3, GX992.4	19-20
GX991.1, GX991.1B, GX991.2, GX991.3, GX991.4, GX991.5	21-23
GX680.1, GX680.1B, GX680.2, GX680.3, GX680.4	24-25
GX45.1, GX45.1L, GX45.2, GX45.4, GX45.3	26
Shower Door Clearances Typical Installation, LP102	27
Biloba Hinges 8010, 8011, 8015, 8060	28-29
G-Tech Sliding Door System	30-33
G-Tech Pivot	34
GP10, GP20, GP30	35
GL34S, GL34K	36
GX512.1, GX512.2	37
GX512.4	38
558, GX62.1	39
GX62.1MH, GX62.2	40
GX62.2MH, GX62.4	41
GX62.4MH	42
22411, 22421, 22511, 22521	43
22113GG, 22113GW	44
540004, 540006, 540001	45
RH65, RH68, 1260	46
G102C, F24, C24, G245F	47
Vitris Locks - Inset, Overlap & Security.	48
Cabinet Hardware – 4042, XL-GC02, XL-GC07, XL-GC04	49

For further details please call us on 01708 891515 or email [sales@barrier-components.co.uk](mailto:sales@barrier-components.co.uk)

### Barrier Components Limited

Unit 8 Dolphin Point,  
 Dolphin Way,  
 Purfleet, Essex  
 RM19 1NR.

Drawings Not To Scale

All measurements are in millimetres

Last updated 2<sup>nd</sup> May 2012

## Installation and notching details

Our door rail is a unique design in that the glass is held into position by a clamp system and requires no sealant. The rail is suitable for 10mm and 12mm glass (must be specified when ordering) and does not require any notching.

### Rail preparation

If the rail has not been supplied in a 'cut and prepared state', it will be necessary to drill extra holes for the securing bolts. A 9mm  $\varnothing$  drill bit is required. The end holes for the clamps should be drilled at least 15mm from either end of the rail.

### Glass sizes

For calculation of glass sizes for doors with rail, refer to the single and double door calculation sheets on pages 8-9.

## 3010 / 3012 door rail installation guidelines

### Glass preparation:

1. Lay door blank flat onto two trestles.
2. Ensure that the glass is dry and free from dust or grease.

The surface of the clamping area on the glass can be sanded to provide a key for the tape.

### Apply rail inner clamps:

1. Remove the backing paper on the inside surfaces of the rail inner clamps and apply the clamps to the glass using the self adhesive tape.
2. Assemble the two part clamps onto the glass and tighten using the short bolts (20 x 5mm) supplied. Ensure that the clamps are centred evenly along the door width leaving around 50mm free at both ends. (Doors up to 1000mm require 2 no. clamps each 400mm long, doors over 1000mm will require 3 no. clamps. Clamps may be cut in half if there is insufficient rail for a full length).
3. The clamps should be left for a minimum of 3–4 hours for the adhesive tape to cure, ideally though 24 hours should be allowed.

### Fit bottom rail:

Normally the bottom rail is fitted first.

1. Slide the rail over the fixed inner clamps ensuring that the teeth engage in the upper portion of the rail.
2. The rail should be 10mm shorter than the glass width to allow for the end caps. Once the rail is centred onto the door it can be fixed to the inner clamps by bolting up through the lower portion of the rail using the long bolts (22 x 8mm) and square clamping blocks supplied. (This is best done using a socket set fitted with a 12mm socket).
3. We recommend that each clamp is secured with two bolts, if further holes need to be drilled a 9mm drill bit should be used.
4. It is important that the inner clamps are set out so as not to clash with the pivot and lock fittings. The rail is now firmly fixed.

### Set bottom pivot:

1. The pivot point can now be set by fitting the ML100 bottom bracket and 9123 bottom door strap - normally 65mm in, measured to the centre of the hole in the bottom door strap.
2. Bolt the square blocks onto the ML100 bracket and attach the 9123 door strap using only one screw. Slide the square blocks of the ML100 bracket into the centre portion of the rail, tighten the block which is accessible once the strap is in position, remove the one screw holding the bottom door strap, tighten the other square block, finally re-fit the bottom door strap using all four screws (27 x 6mm).
3. The ML100 bracket and bottom door strap are essential whether a floor spring or free swing pivot bearing are used.

Cont.....

**Fit bottom rail lock (if required):**

1. If the bottom rail is lockable the DRL5025 lock can now be fitted.
2. Bolt the black plastic escutcheon blocks to the outside faces of the rail, through the pre-drilled holes, then bolt the lock body into the lower portion of the rail through the flat spacer plate provided into the clamping spacer blocks, so that the keyhole in the lock lines up with the punched hole in the rail. Do not overtighten bolts / screws as this can make the lock operation stiff.
3. The europrofile cylinder can now be inserted through the rail and lock body with the key in position. Once the key has been removed the lock and cylinder can be secured with the screws and clamping blocks supplied.
4. The escutcheon should be the last component fitted to avoid damage to the finish.

**Fit top rail (if required):**

The top rail can now be clamped on using the same procedure as the bottom rail

**Set top pivot (if using floor spring):**

1. The MS100 bracket is fitted to the top rail in a similar way to the ML100 bottom bracket and in exactly the same pivot point position to ensure the door is plumb.
2. The MS100 bracket is designed to pivot on the 9116 retractable top pivot bearing, via the supplied 9117 lower component (c/w the 9116)

**Set top pivot (if using transom closer):**

If a transom closer is to be used instead of a floor spring then the MS100 bracket is substituted with the DR850TI insert. In this case a rectangular notch should be cut out of the top rail on one side so that the door can be tilted up into position around the spindle of the transom closer. This notch can then be covered with a small plate, not supplied.

**Fit top rail lock (if required):**

If the top rail is lockable the DRL5025 lock can be fitted in the same way as the bottom one.

**Fit end caps:**

Finally the end caps are fitted with the screws supplied into the square blocks fitted in the centre portion of the rail. Protective tapes can now be removed.

## Bottom rail component list

1 No. Rail (PSS, SSS Finish) 10mm shorter than width of glass



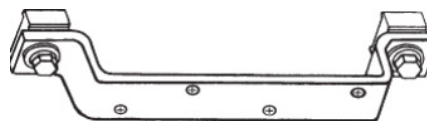
2 No. Inner Clamps either 10mm or 12mm glass. For doors over 1000mm add 1 extra clamp



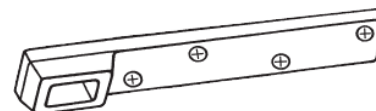
1 Pair End Caps (Mill, PSS, SSS Finish)



1 Bracket ML100



1 Door Strap 9123



### Extra Requirements;

If lock is required then use DRL5025.



If the door has a transom closer or is free swinging then add 1 No. pivot 9115.



If the door has a floor spring then add GTS840 to the list.

For doors 800mm maximum width : specify Size 1  
For doors 900mm maximum width : specify Size 2  
For doors 1100mm maximum width : specify Size 3



## Top rail (pivot or floor spring) component list

1 No. Rail (PSS, SSS Finish) 10mm shorter than width of glass



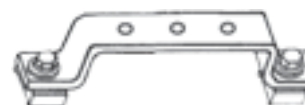
2 No. Inner Clamps either 10mm or 12mm glass. For doors over 1000mm add 1 extra clamp



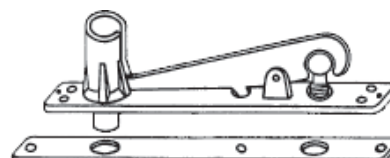
1 Pair End Caps (Mill, PSS, SSS Finish)



1 Bracket MS100



1 Top Centre 9116



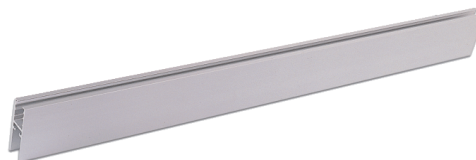
### Extra Requirements;

If lock is required then use DRL5025.



## Top rail (transom closer) component list

1 No. Rail (PSS, SSS Finish) 10mm shorter than width of glass



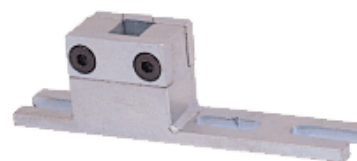
2 No. Inner Clamps either 10mm or 12mm glass. For doors over 1000mm add 1 extra clamp



1 Pair End Caps (Mill, PSS, SSS Finish)



1 No. Insert DR850TI

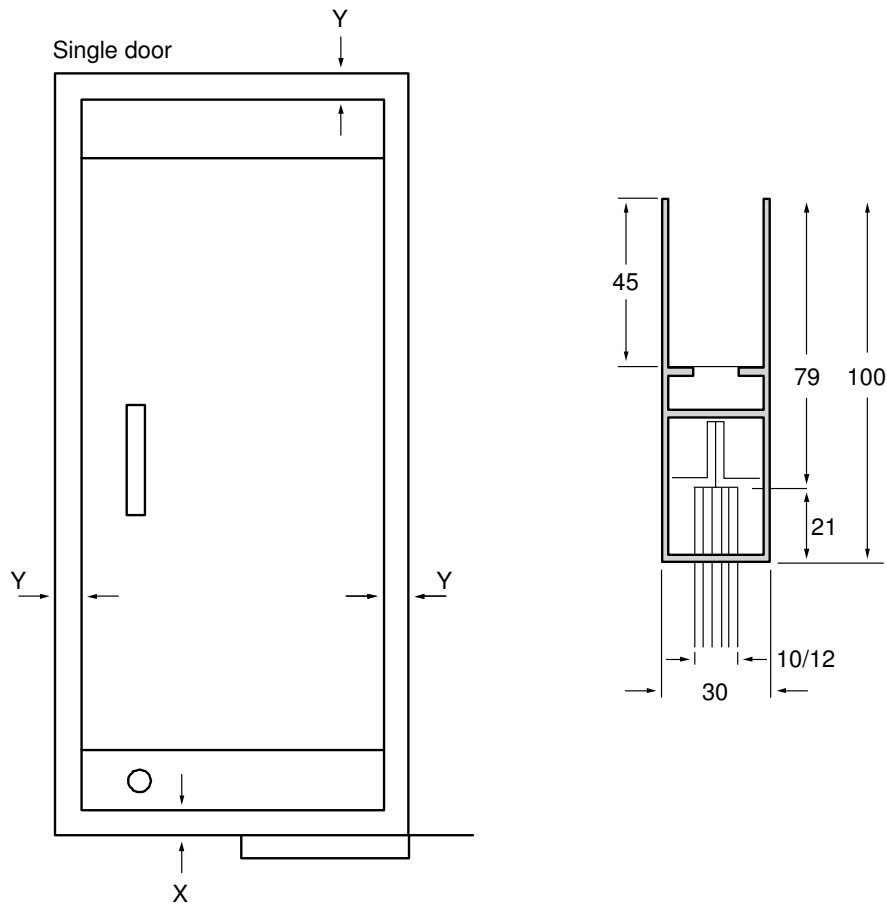


### **Extra Requirements;**

If lock is required then use DRL5025.



# Glass sizes – door rail (single)

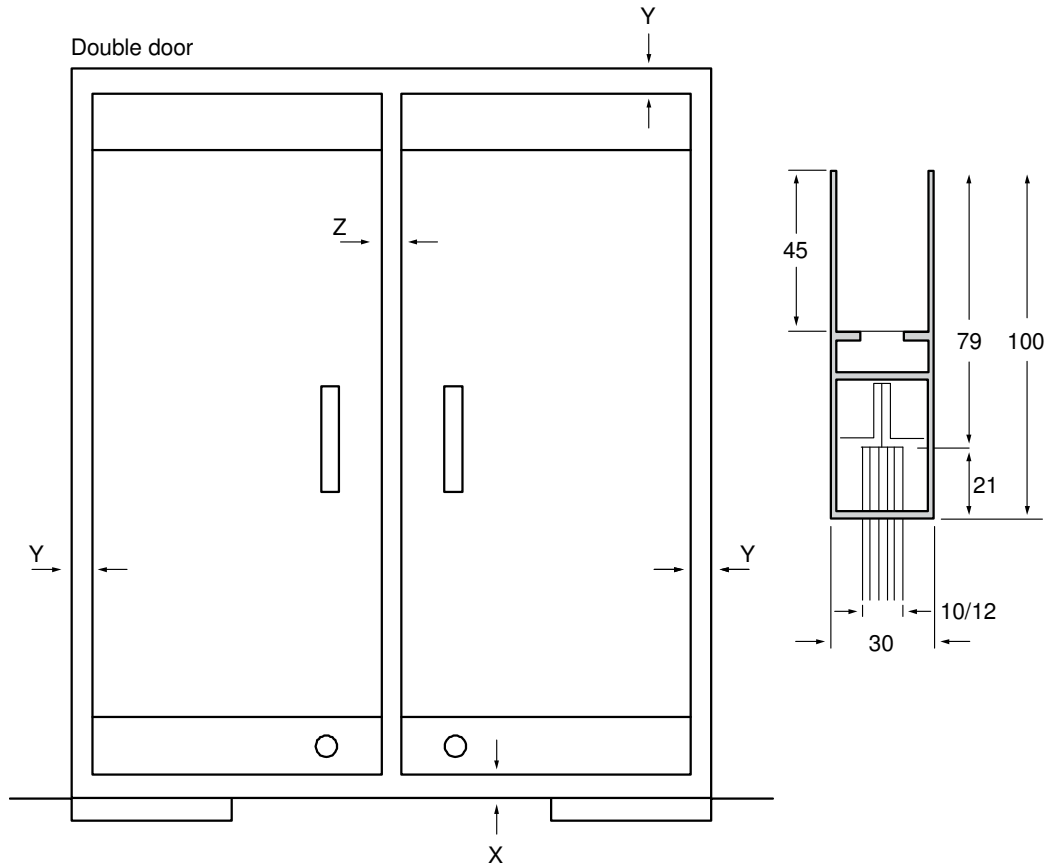


**Glass sizes;**

<b>X = 8mm</b>			
<b>Y = 3mm</b>			
<b>Glass sizes</b>			
opening height		x width	
height	mm	width	mm
- 3	(Y)	-3	(Y)
- 8	(X)	-3	(Y)
-79			
-79			
Glass Height	mm	glass width	
Glass =		mm high x	mm wide
Door rails =		-10 (end caps) =	



# Glass sizes - door rail (double)

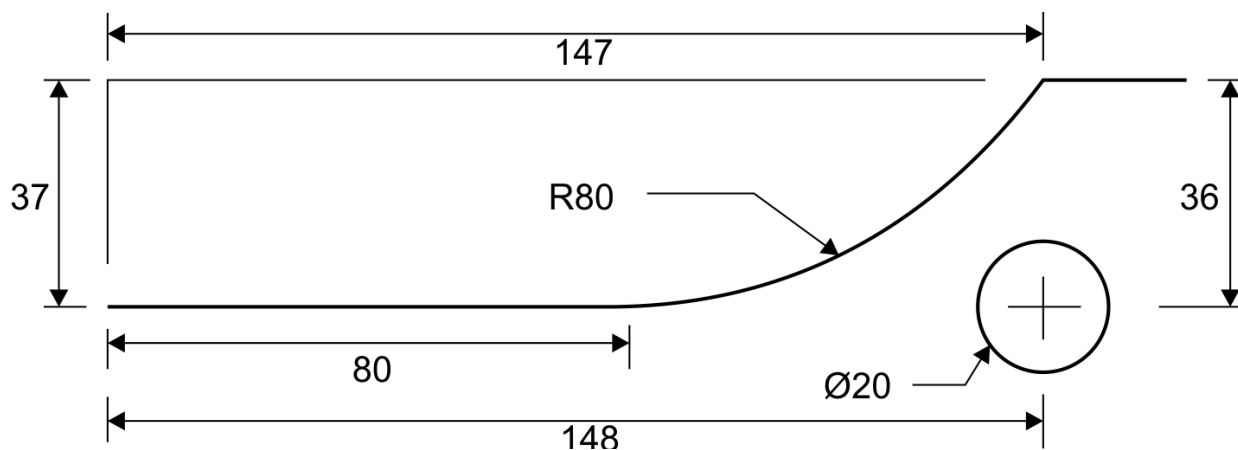


Glass sizes;

<b>X = 8mm</b>			
<b>Y = 3mm</b>			
<b>Z = 4mm</b>			
<b>Glass sizes</b>			
opening height		x width	
height	mm	width	mm
- 3	(Y)	- 3	(Y)
- 8	(X)	- 3	(Y)
- 79		- 4	(Z)
- 79			
Glass Height	mm	÷ 2	glass width
Glass =		mm high x mm wide	
Door rails =		-10 (end caps) =	

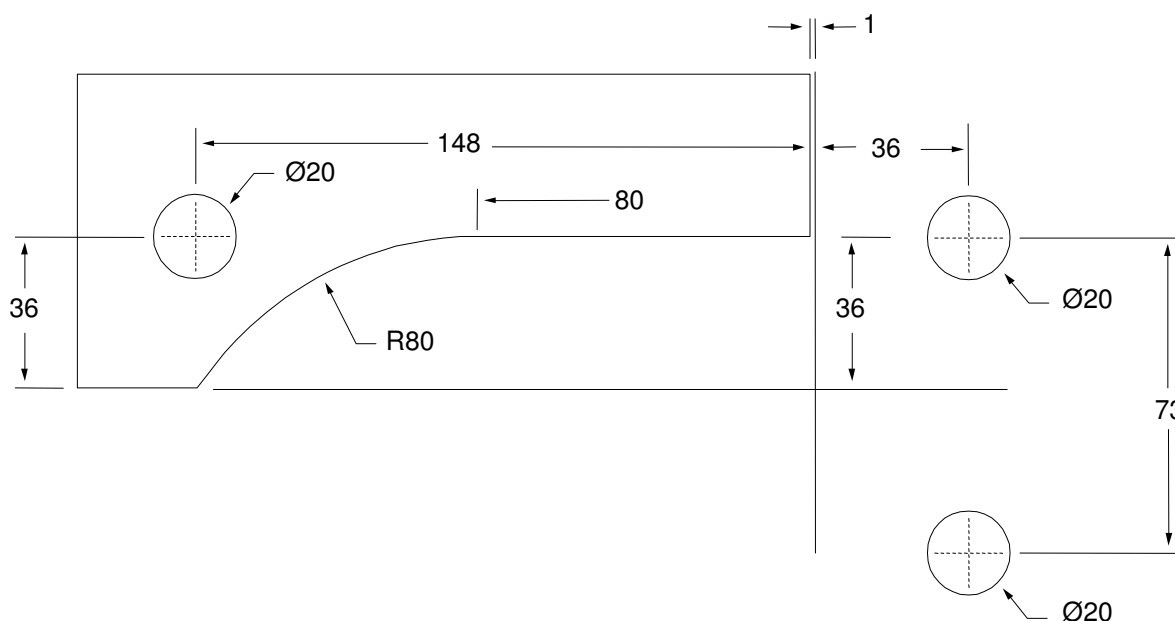
## GT10, GT20, GT22, GT30

### Notching detail for corner patch fittings



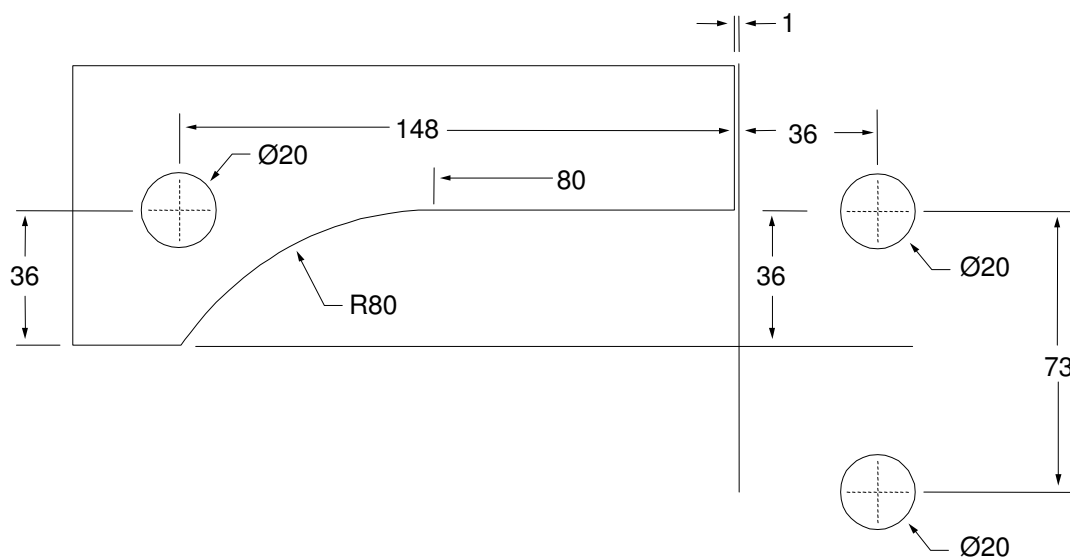
## GT40, GT40K, GT40S, GT40KS

### Notching detail

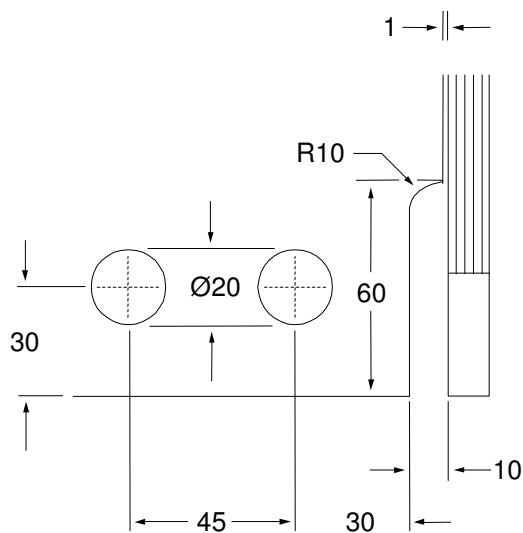


# GT41, GT41K

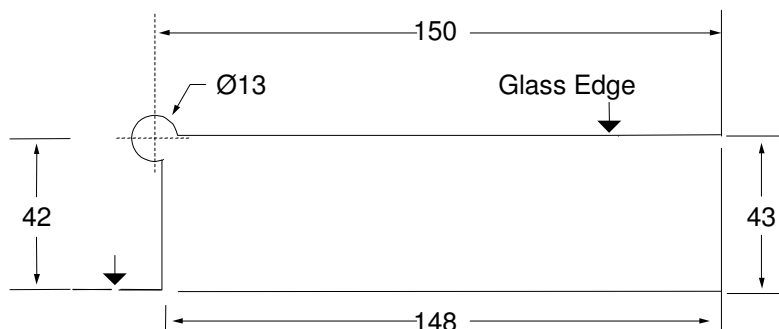
## Notching detail



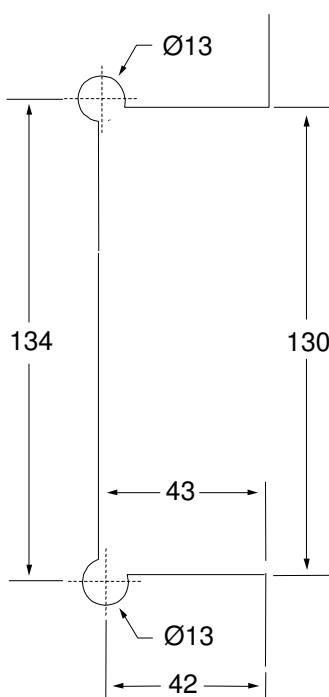
### Fin notching detail



## GL50S Notching detail

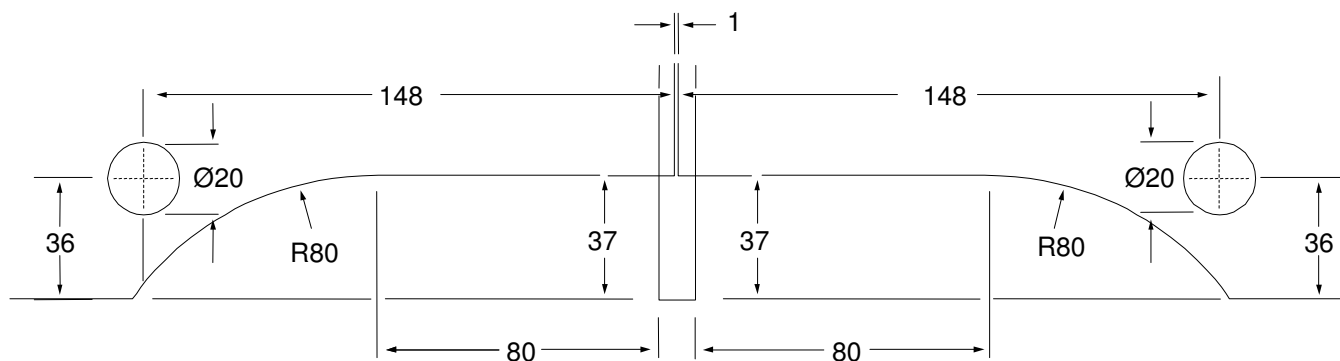


## GL50S/CL, GL50K, GL53, GL53K Notching detail

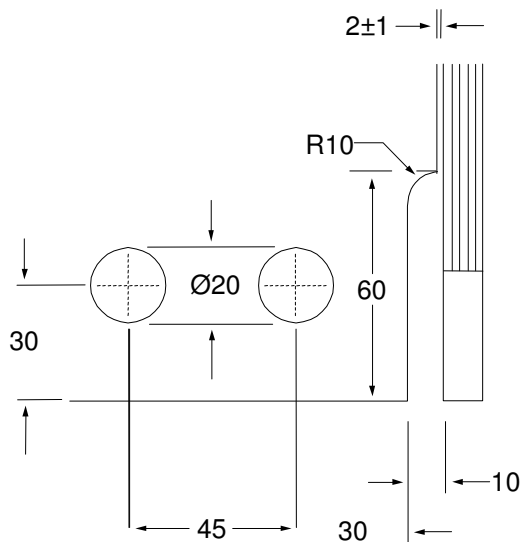


# GT51

## Notching detail

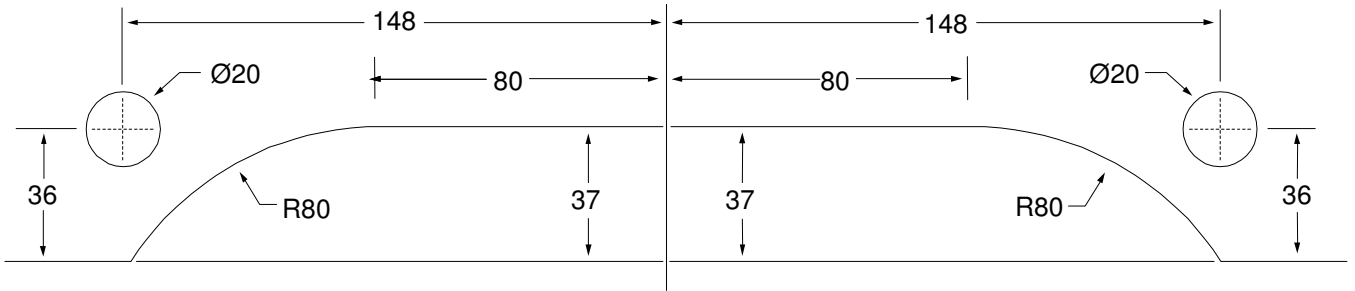


### Fin notching detail



# GL50/2KS

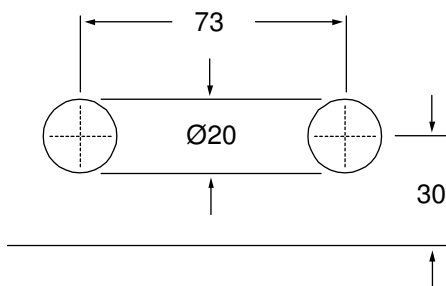
## Notching detail



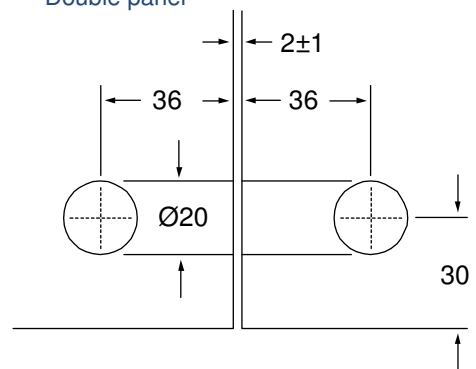
# GT70

## Notching detail

Single panel

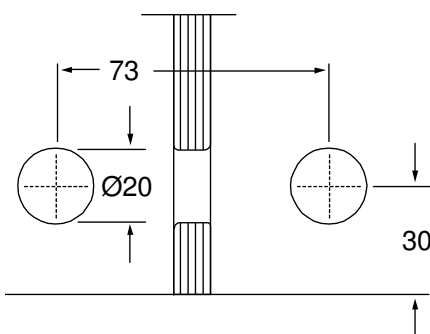


Double panel

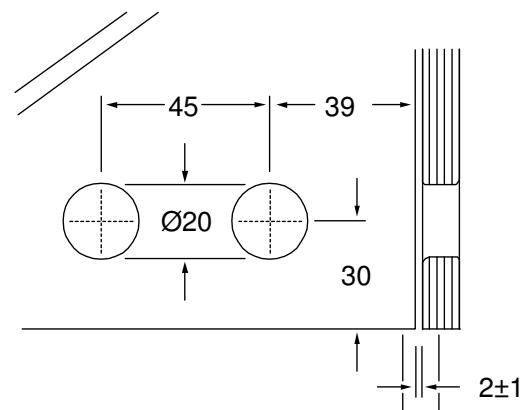


# GT71

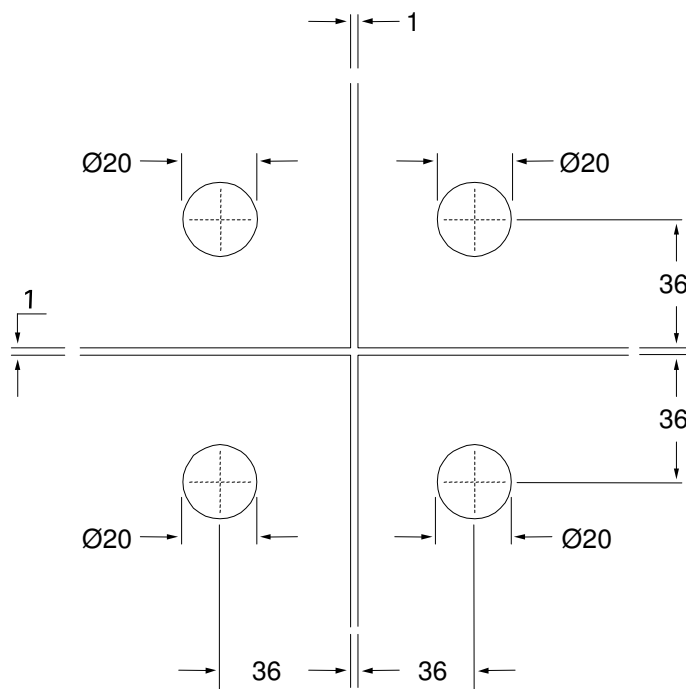
## Notching detail



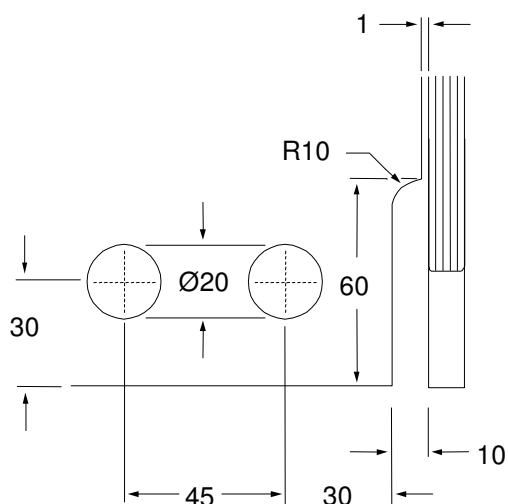
Fin notching detail



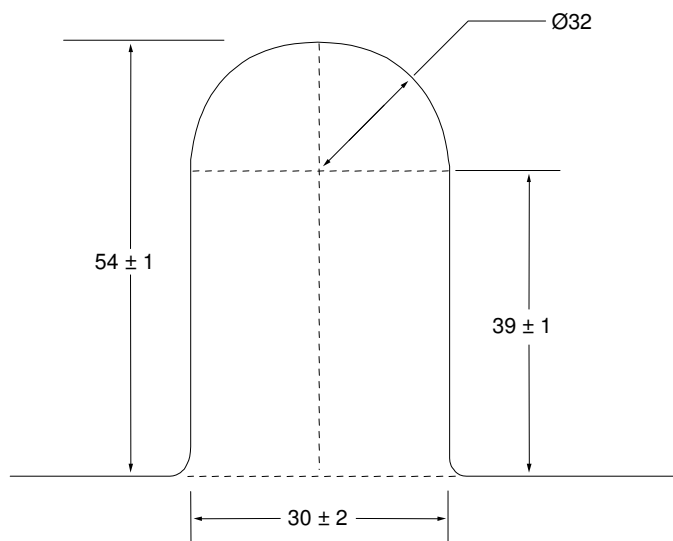
# GT80, GT81 Notching detail



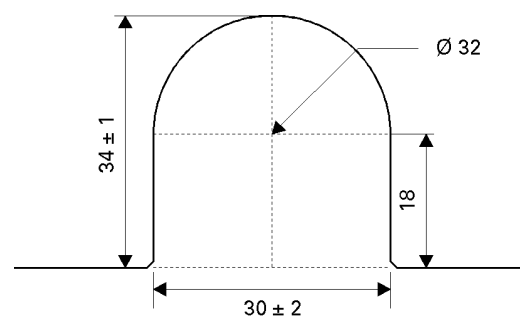
## Fin notching detail



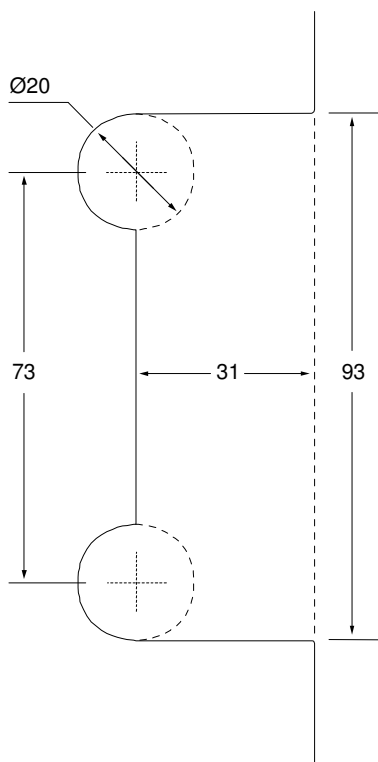
## GL52 Notching detail



## GL52/K Notching detail



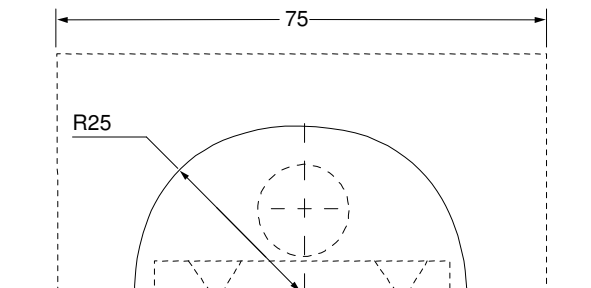
## GT73W Notching detail



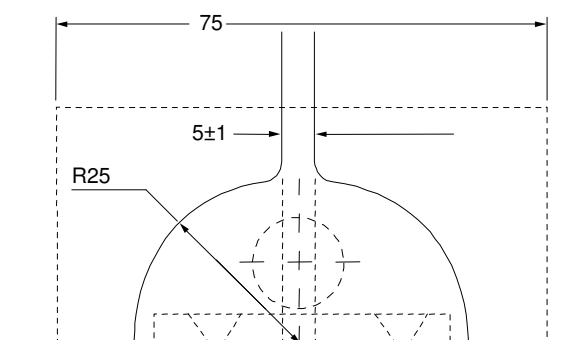


# CL42.1 Clamp

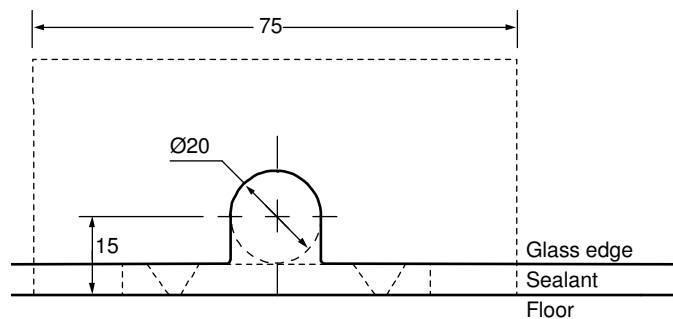
Clamp mounted within glass flush with floor



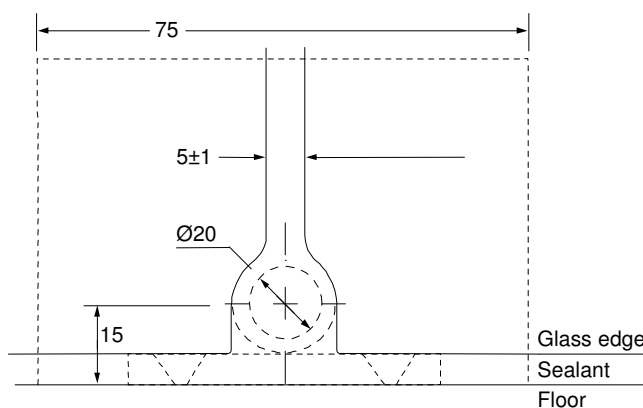
Clamp joining glass panels within glass flush with floor



Clamp mounted within glass clear of the floor

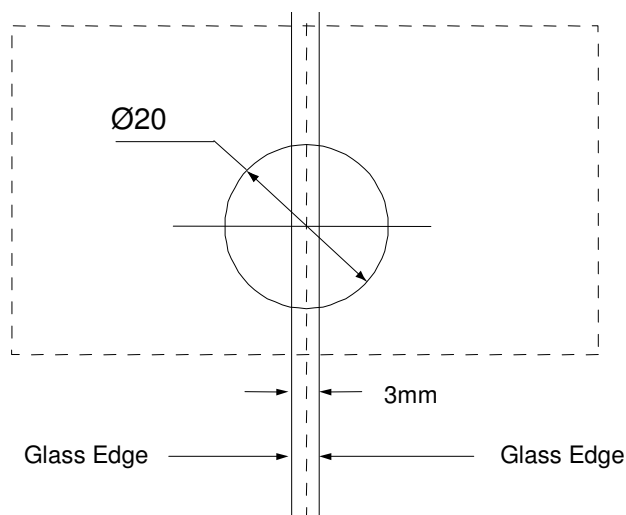
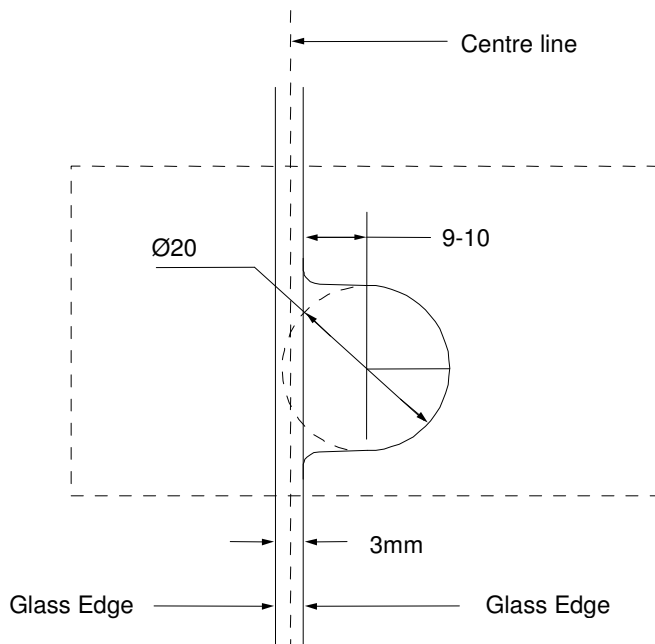


Clamp joining glass panels clear of the floor



# CL42

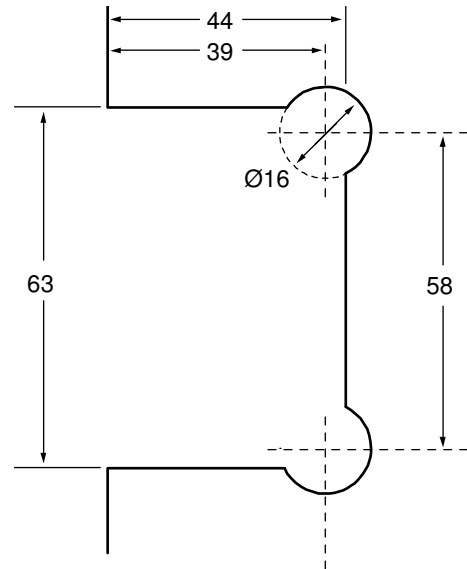
## 2 Notching choices



# GX992.1, GX992.1B

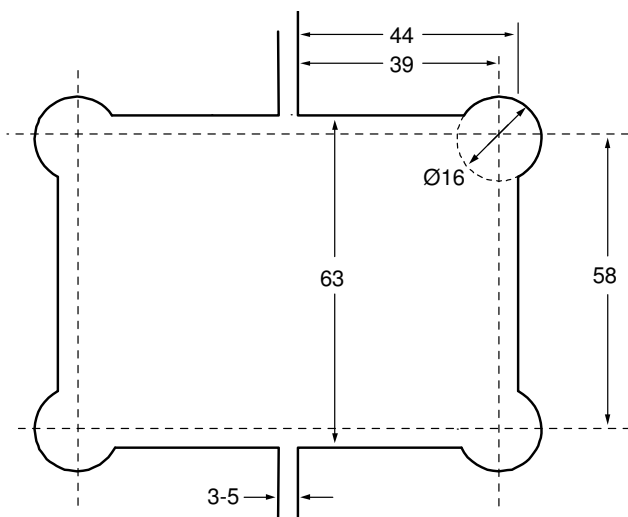
## Notching details

Measurement from edge of glass to wall = 10mm

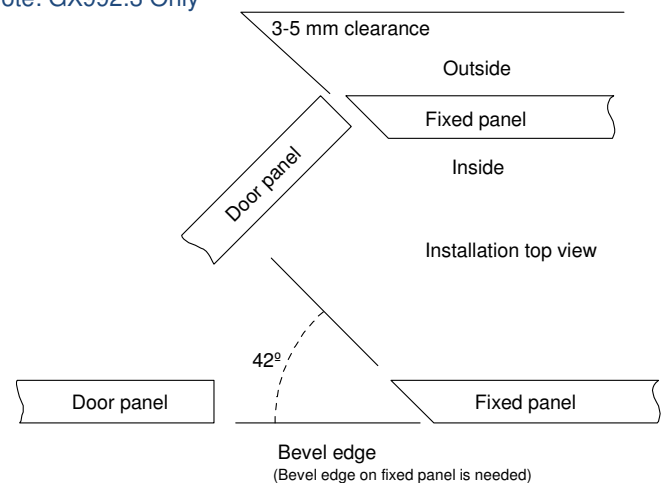


# GX992.2, GX992.3, GX992.4

## Notching details

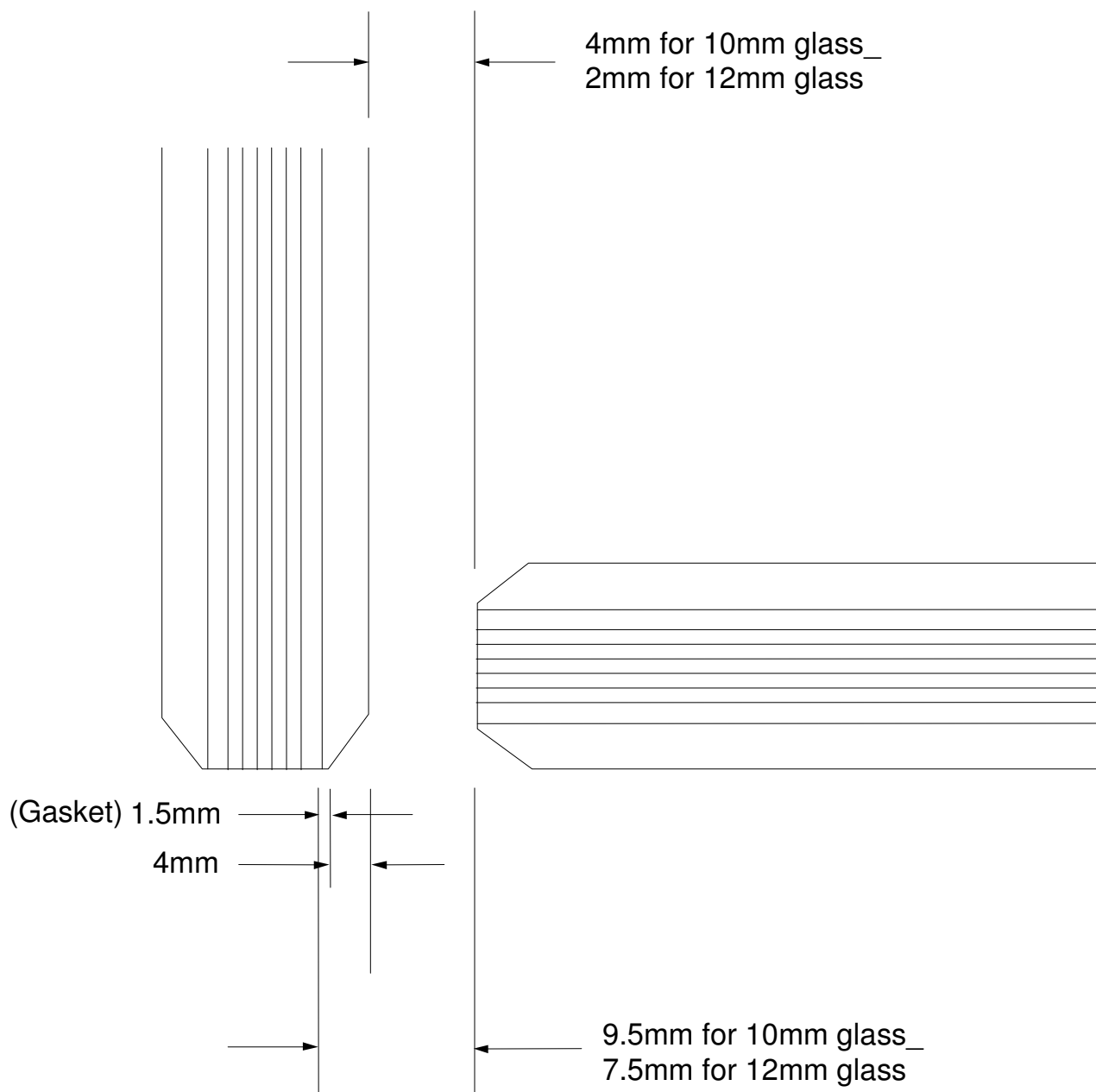


Note: GX992.3 Only



# GX992.4

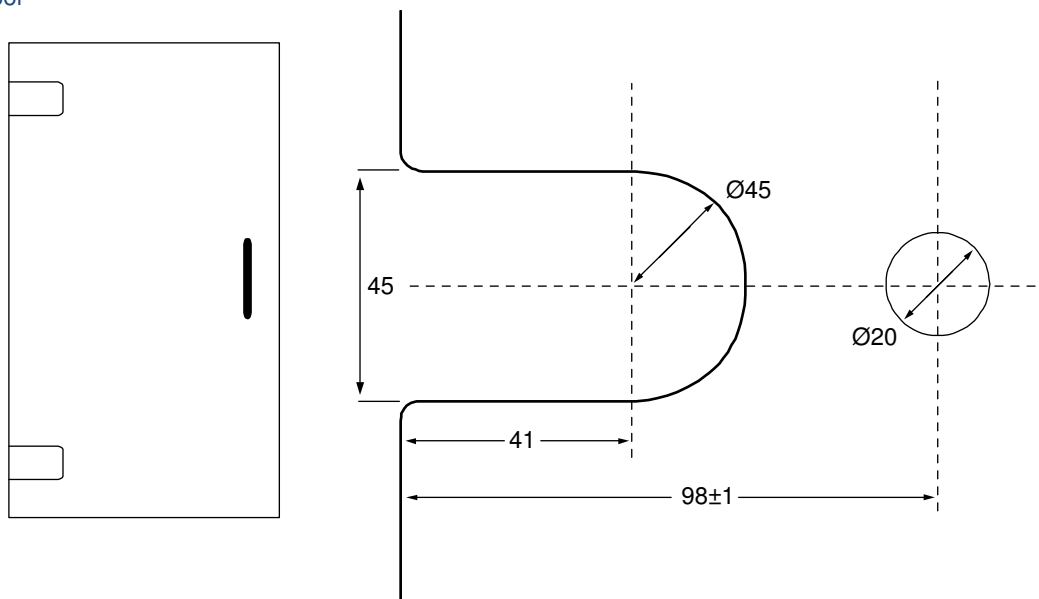
## Hinge detail



# GX991.1, GX991.1B, GX991.2\*, GX991.3, GX991.4, GX991.5

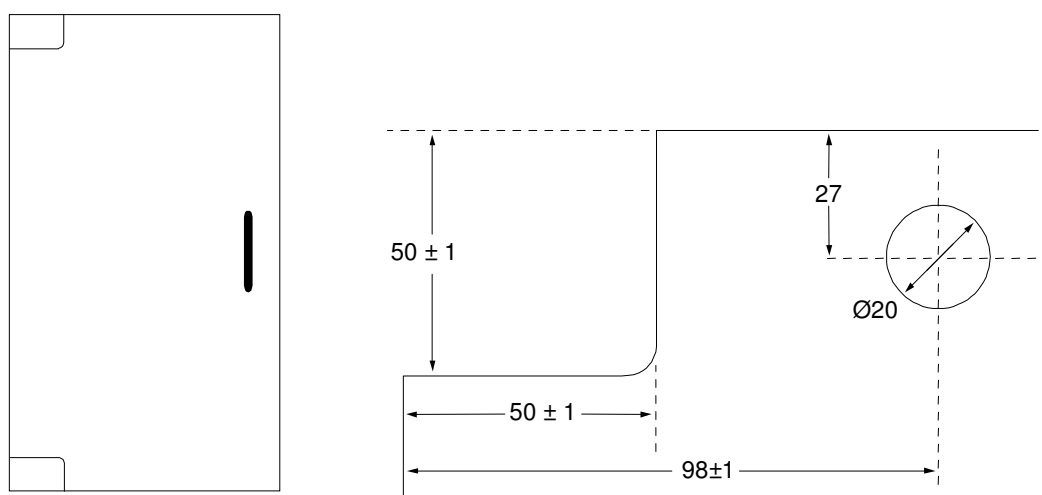
## Notching details

Mounted within door



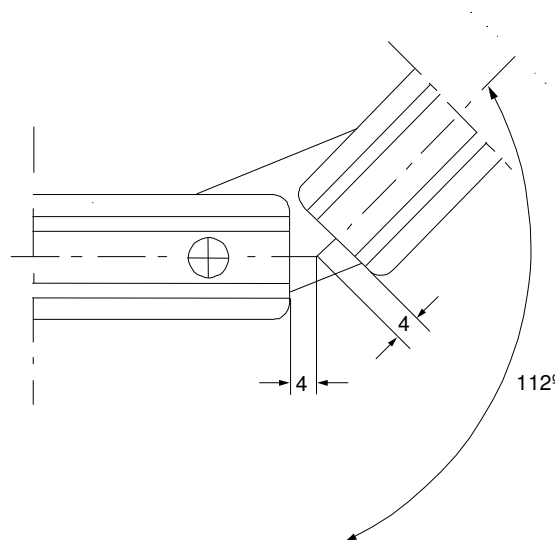
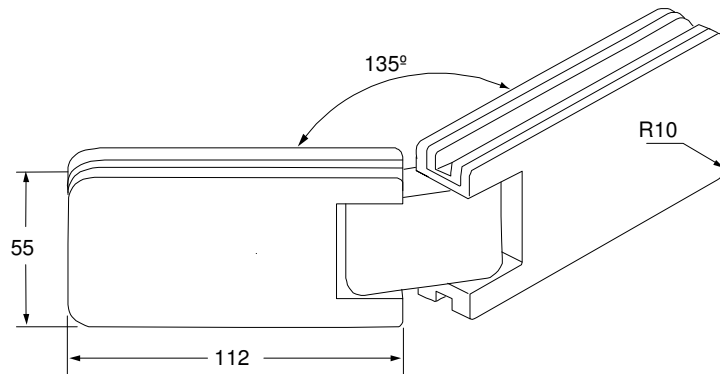
\*5-6mm gap between door + side panel for GX991.2

Mounted at the corner (not suitable for showers)



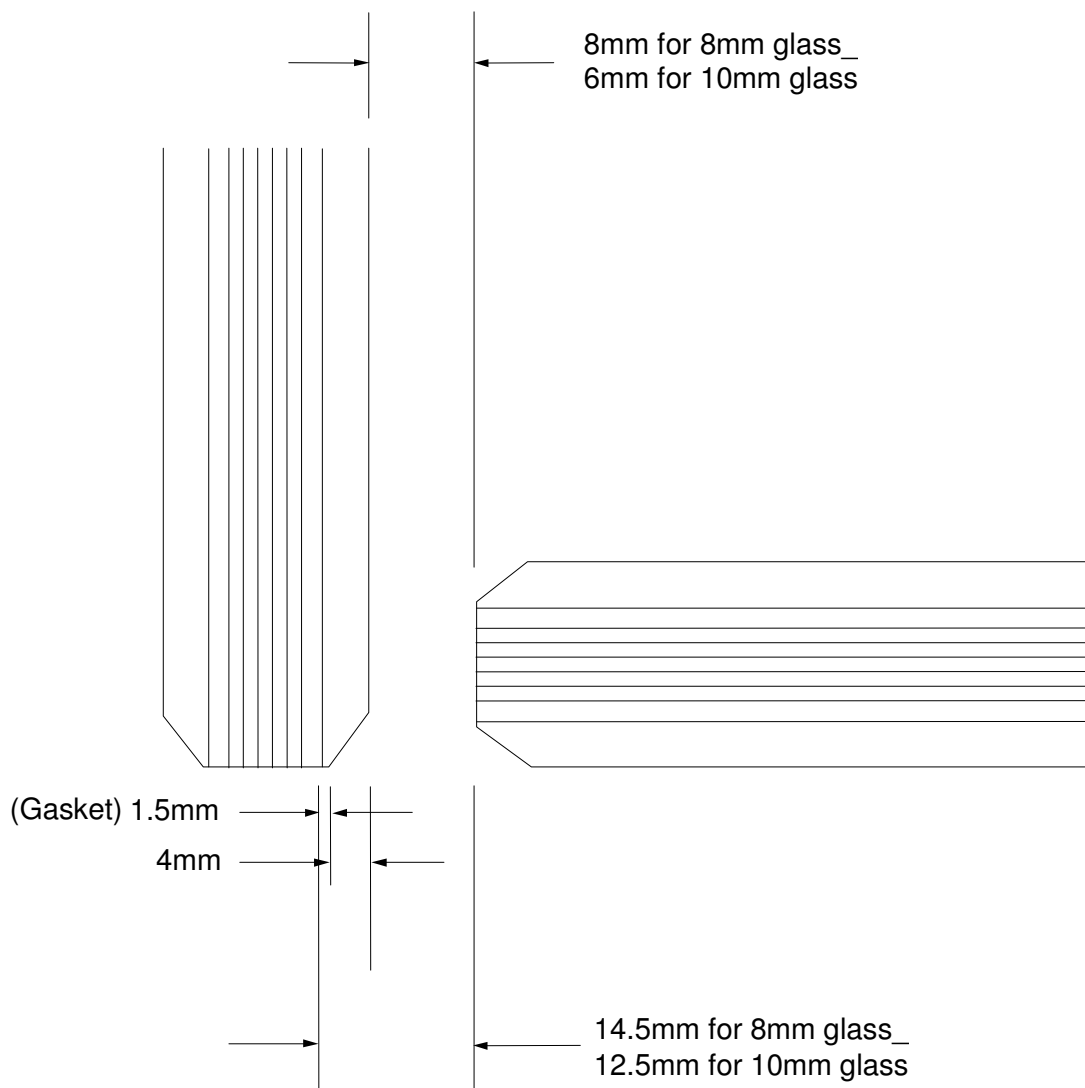
# GX991.3

## Hinge detail



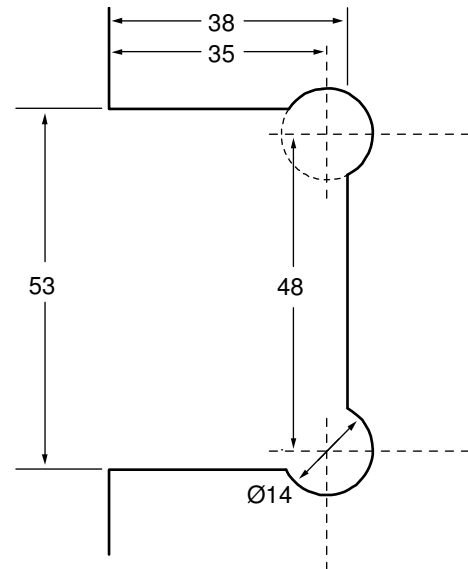
# GX991.4

## Hinge detail

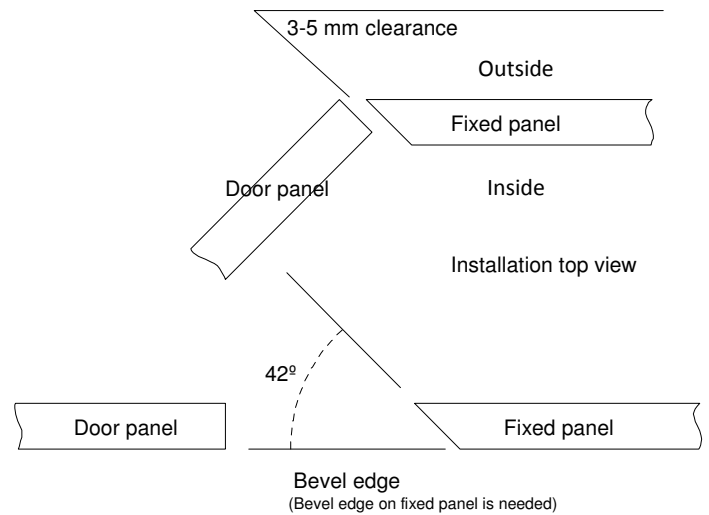
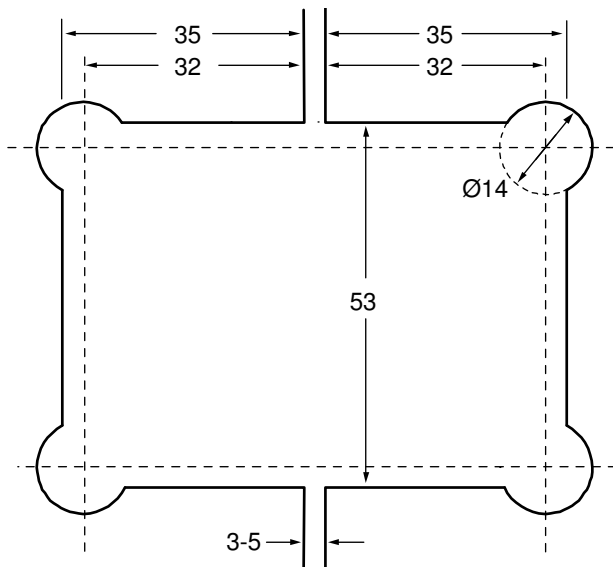


## GX680.1, GX680.1B Notching detail

Distance from edge of glass to wall = 8mm



## GX680.2, GX680.3, GX680.4 Notching detail

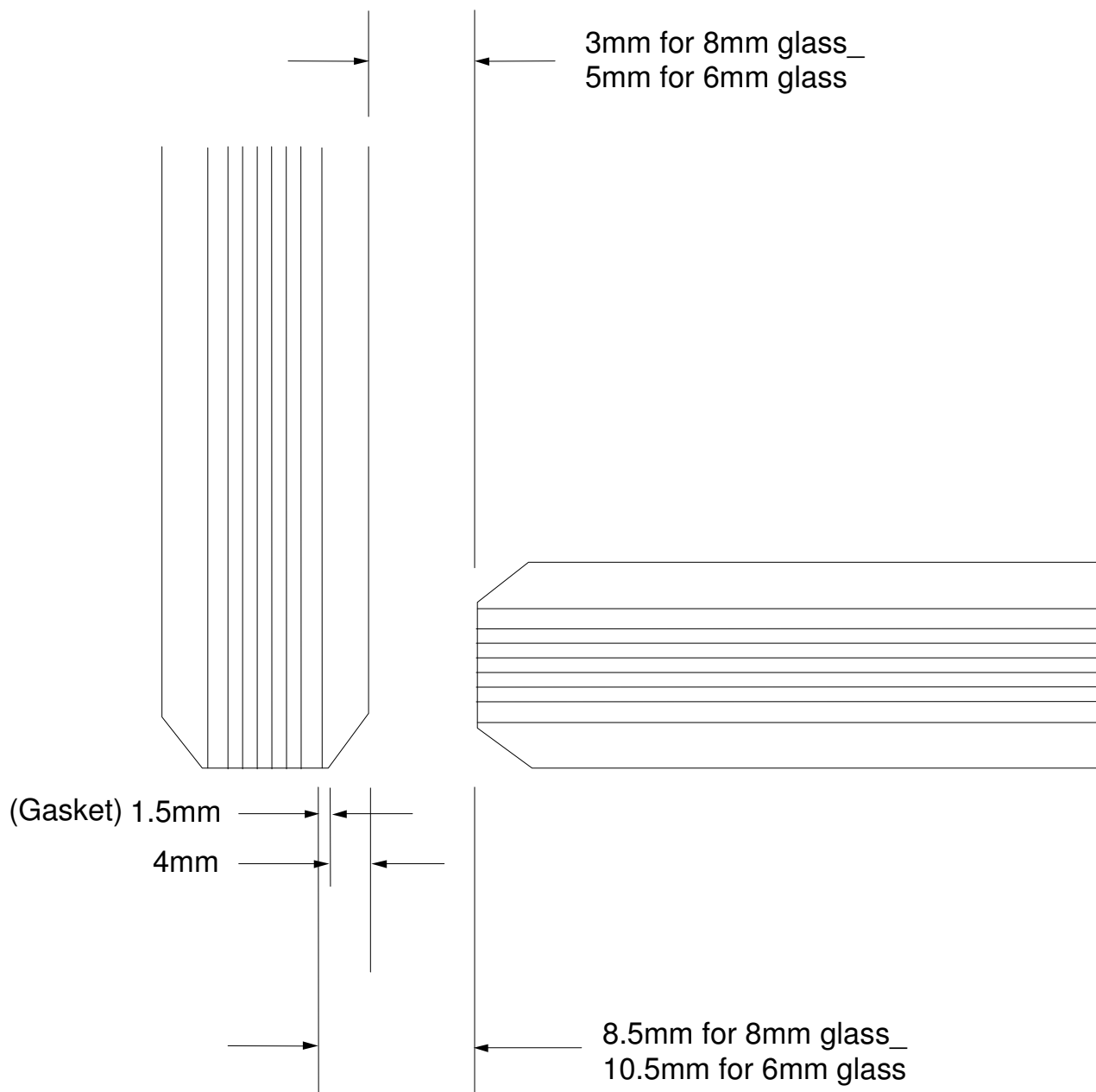


GX680.3 Only

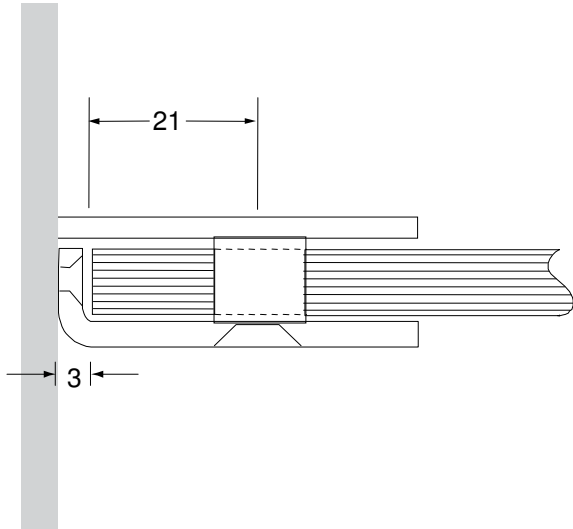


# GX680.4

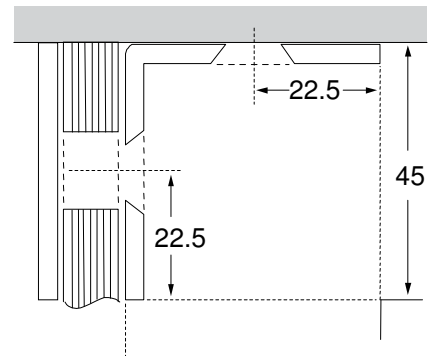
## Hinge detail



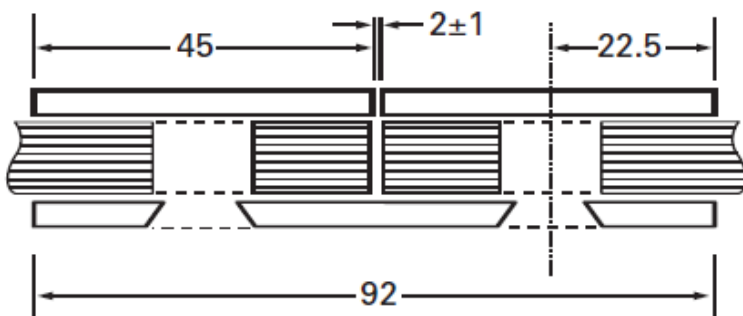
### GX45.1 - 16mm Ø Holes



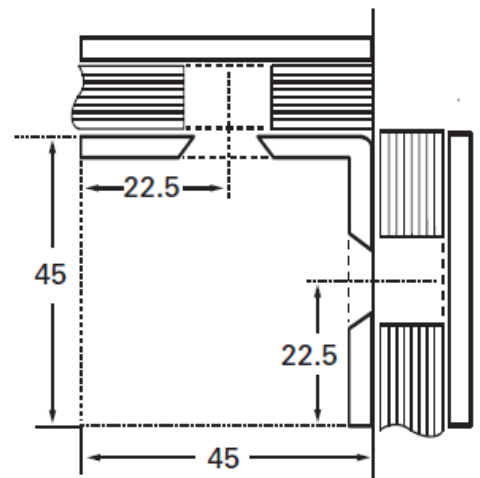
### GX45.1L - 16mm Ø Holes



### GX45.2 - 16mm Ø Holes

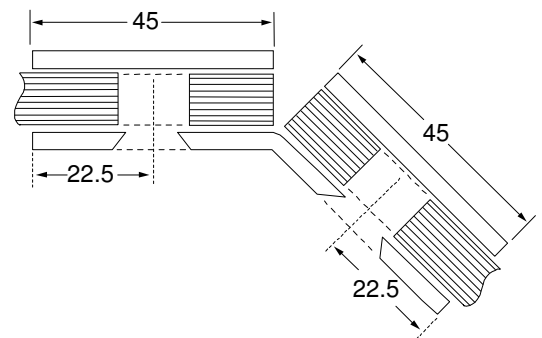


### GX45.4 - 16mm Ø Holes

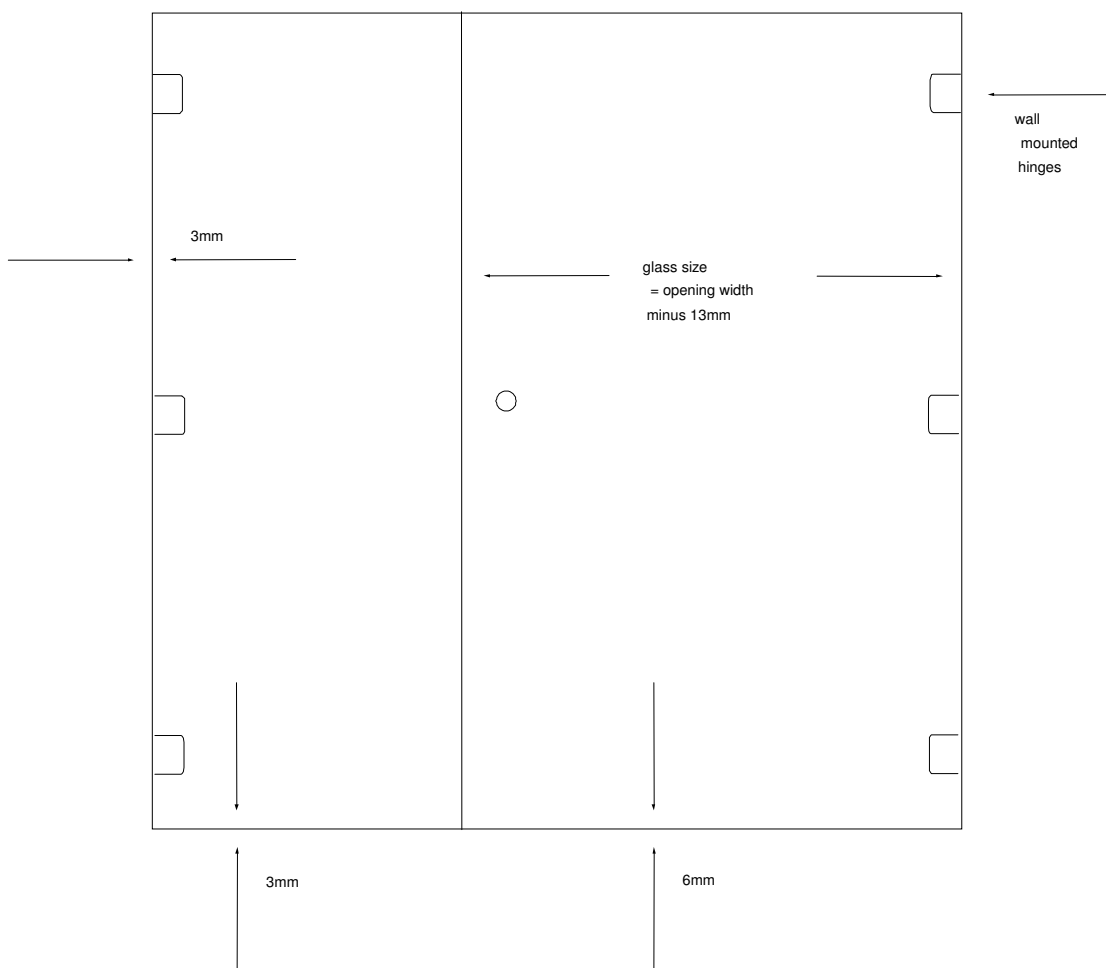


### GX45.3 - 16mm Ø Holes

Note:  
 These details are based on 8mm Glass. If using 10mm or 12mm glass, holes may need to be slotted. Please consult your toughener for advice.



## Shower door clearances typical installation

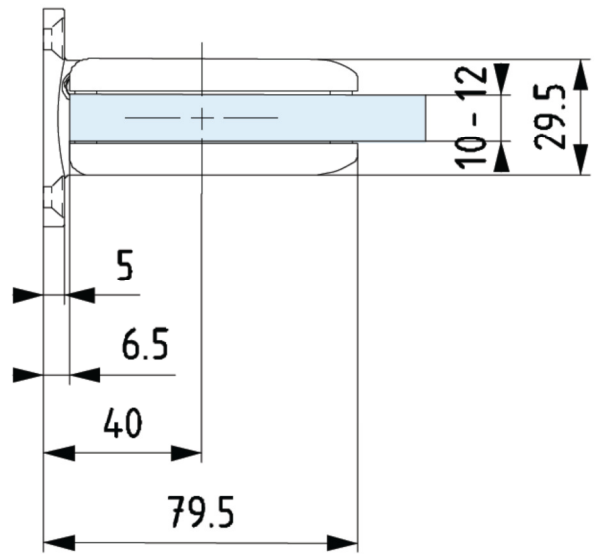
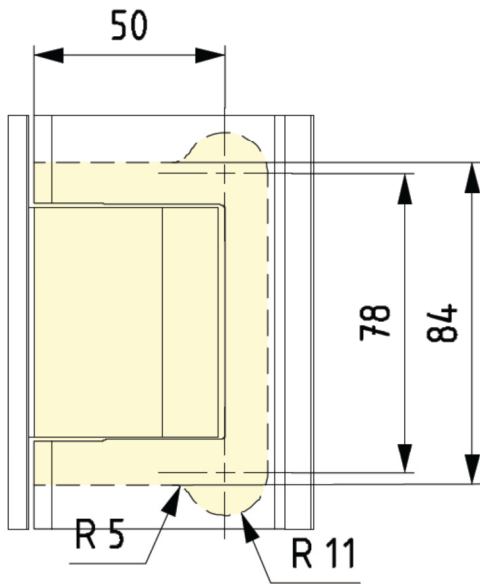


## LP102

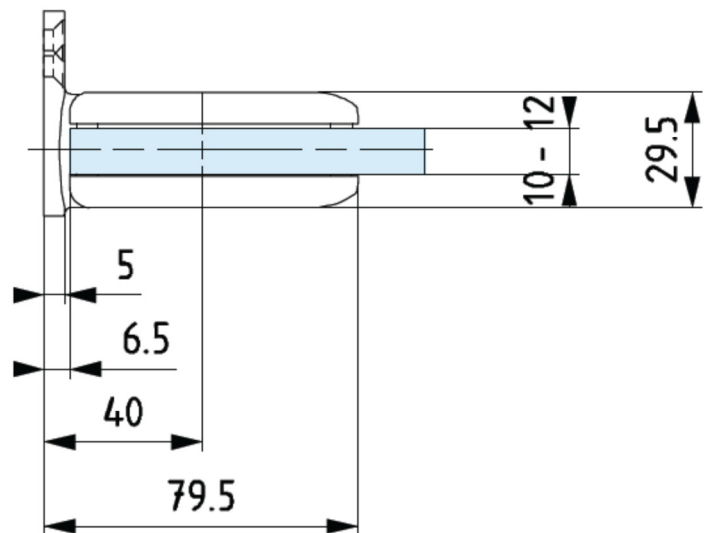
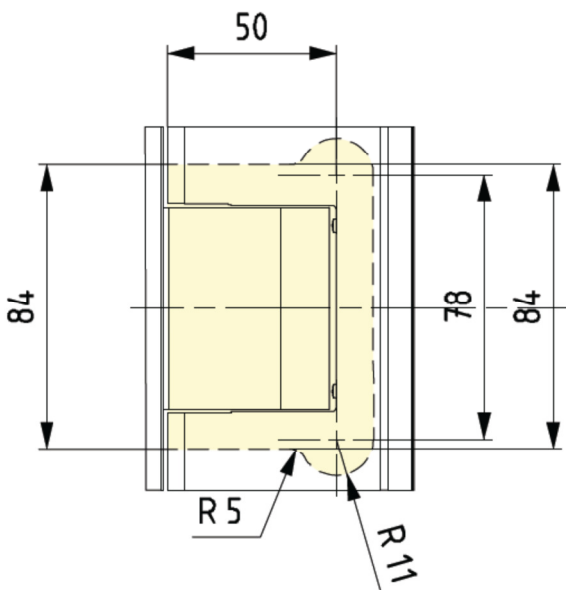


# Biloba self close hinges

## 8010

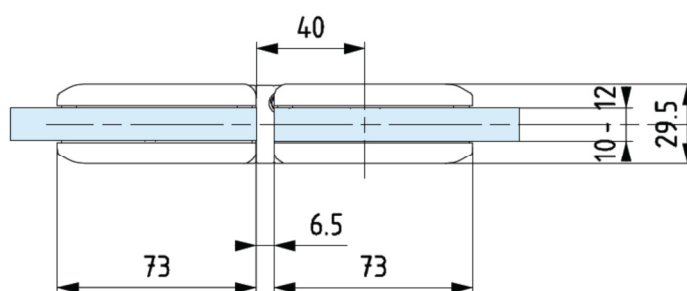
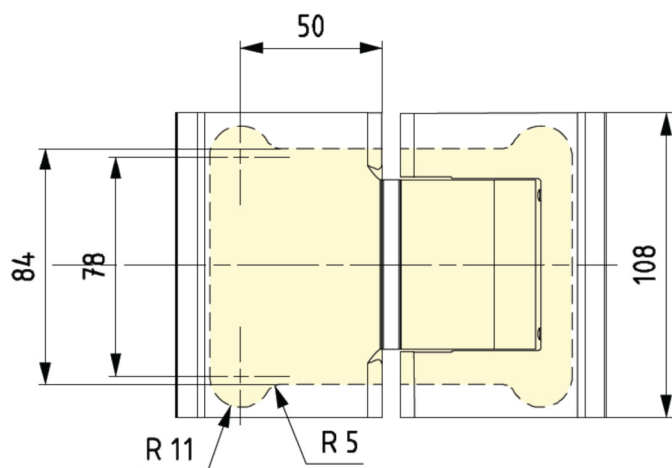


## 8011

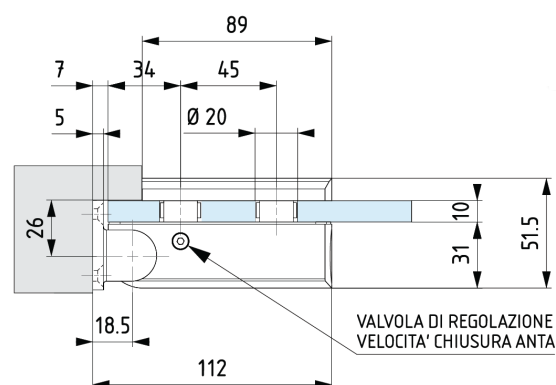
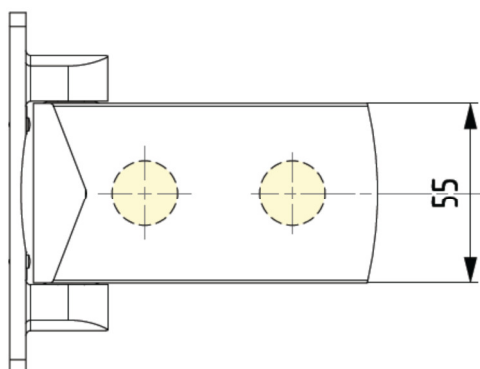


## Biloba self close hinges cont.....

8015



8060



# G-Tech sliding door system

Designed for fixing to 10mm or 12mm toughened glass only

Maximum door height 2500mm

Maximum Door Width 1360mm  
Maximum Door Weight 100kg

Note:

10mm Glass 25kg M2

12mm Glass 30kg M2

Tools needed Set of Allen Keys

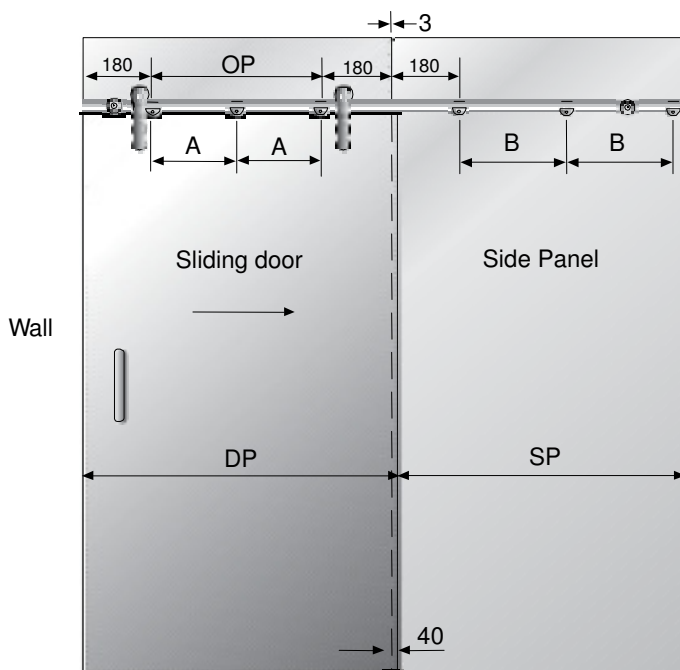
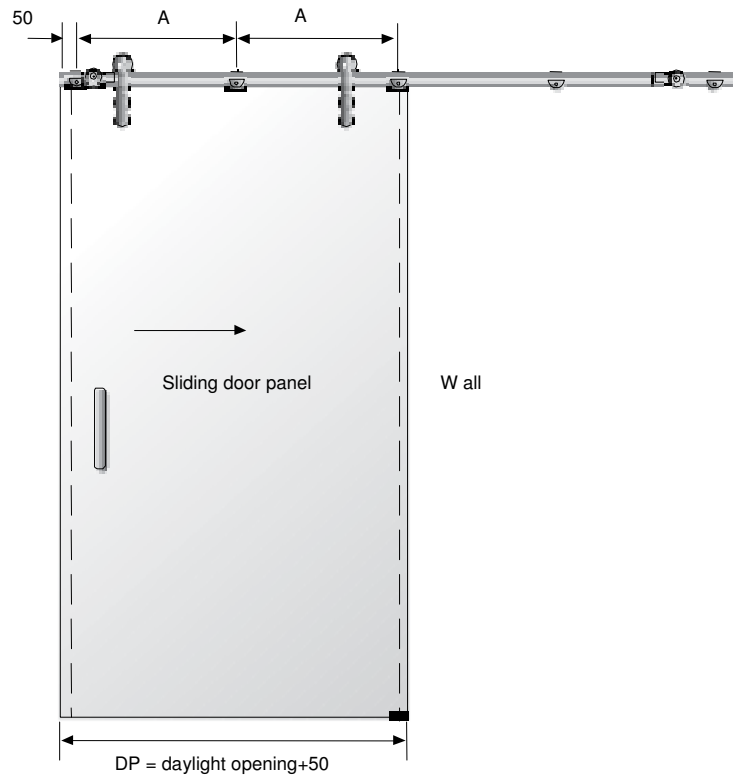
## Glass door to wall installations (Normally Framed Openings).

Track Brackets (5) type GSD153 should be specified. These are supplied without fixings and it is the responsibility of the contractor to supply suitable fixings.

If either end of the track abuts a 90° wall then we recommend the fixing of end bracket GSD440 in lieu of one bracket GSD153.

$$A = (DP - 50) \div 2$$

DP = Door panel width.



## Glass door to single glass side panel installations

Track Brackets (6) type GSD151C should be specified.

If either end of the track abuts a 90° wall then we recommend the fixing of end bracket GSD440 in lieu of one bracket GSD151C.

$$A = [OP - (180+180)] \div 2$$

$$B = [SP - (180+180)] \div 2$$

OP = Over panel width

SP = Side panel width

DP = Door panel width

Drawings Not To Scale

All measurements are in millimetres

Last updated 2<sup>nd</sup> May 2012

## G-Tech sliding door system (continued)

### Glass door to glass side panel installation

Track Brackets (7) type GSD151C should be specified. If the end of the track abuts a 90° wall then we recommend the fixing of end bracket GSD440 in lieu of one bracket GSD151C.

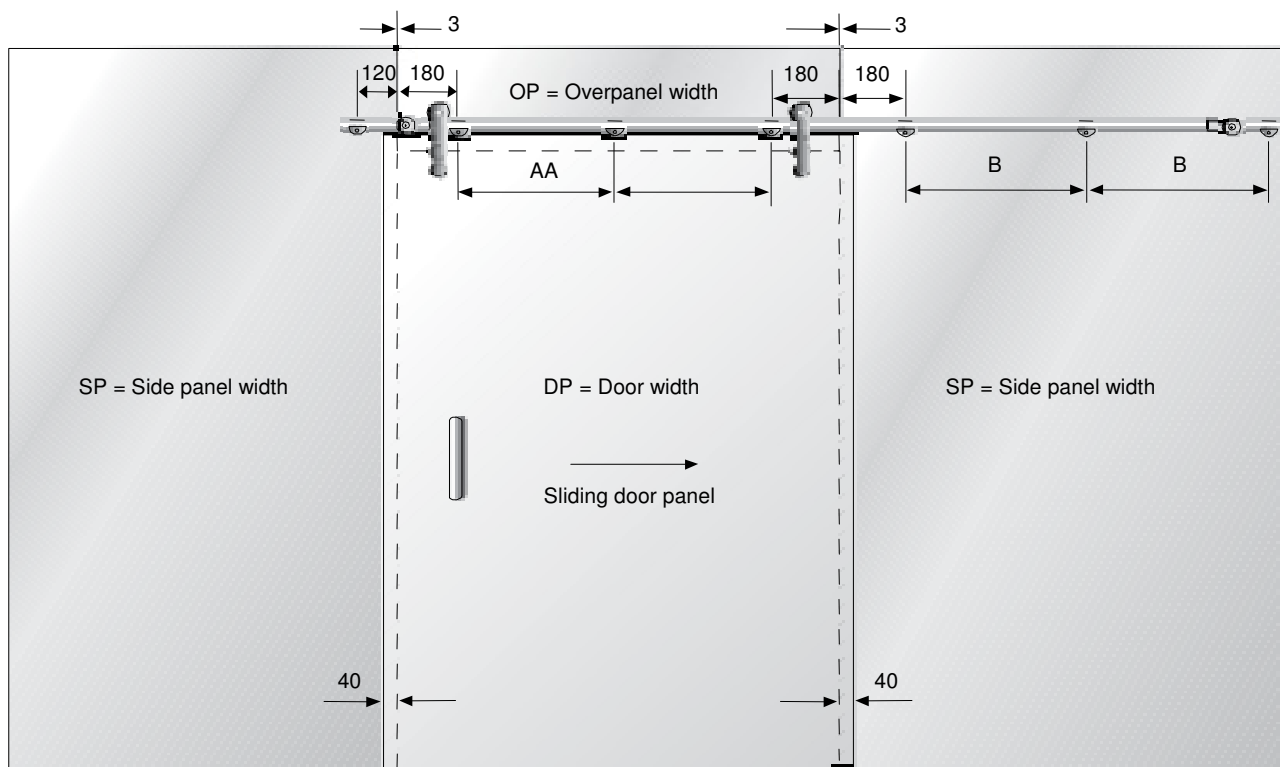
$$A = [OP - (180+180)] \div 2$$

$$B = [SP - (180+180)] \div 2$$

OP = Over panel width

SP = Side panel width

DP = Door panel width



## Glass calculations

To calculate the blank size:

Width: Opening width plus 50mm or 80mm subject to type of installation

Height: Opening height plus 35mm minus 7mm for floor guide.

Drawings Not To Scale

All measurements are in millimetres

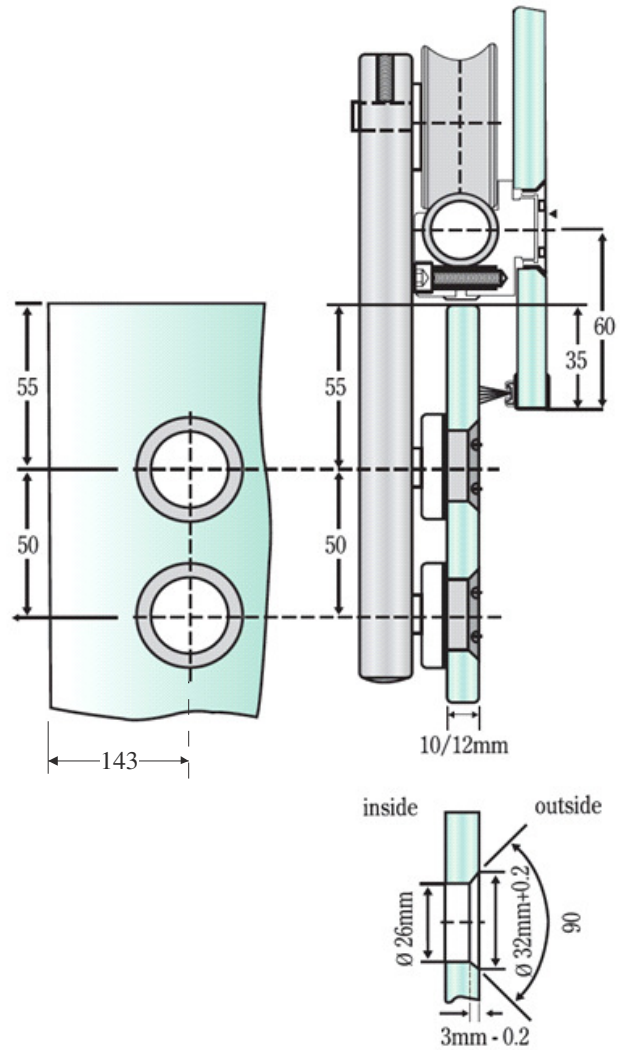
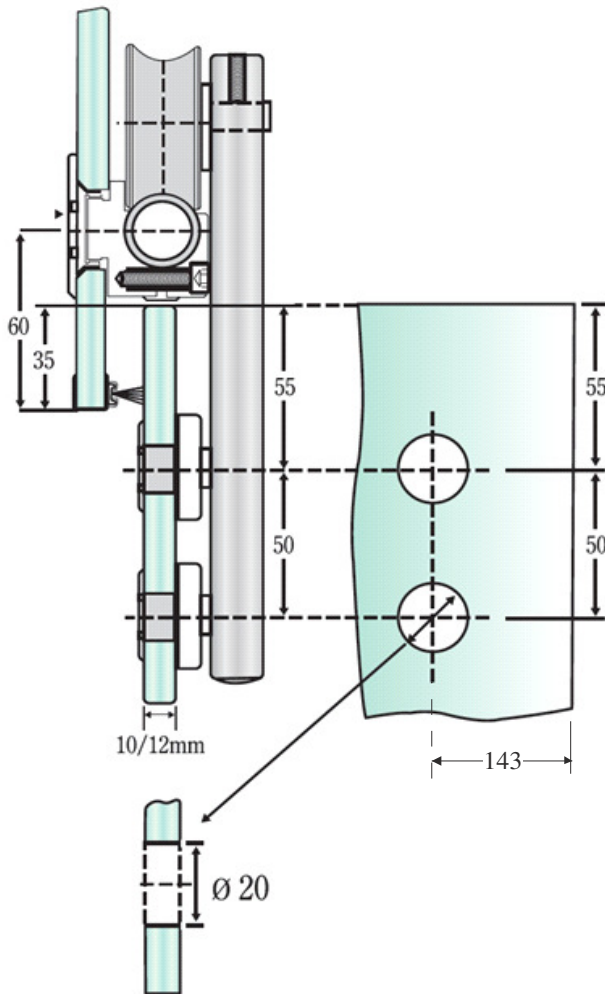
Last updated 2<sup>nd</sup> May 2012

# G-Tech sliding door system (continued)

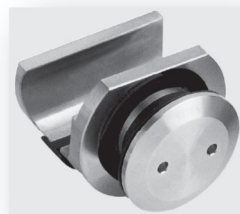
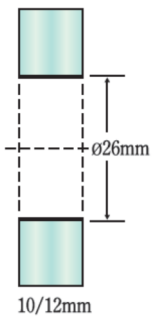
## Drilling details

GSD400F (Flat Fixing)

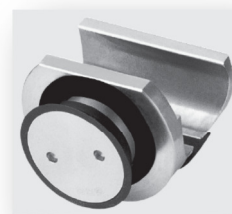
GSD400C (Countersunk)



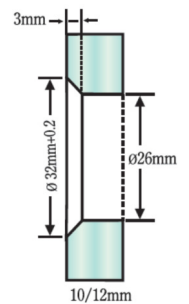
## Glass to glass bracket drilling details.



GSD 151F



GSD 151C



Drawings Not To Scale

All measurements are in millimetres

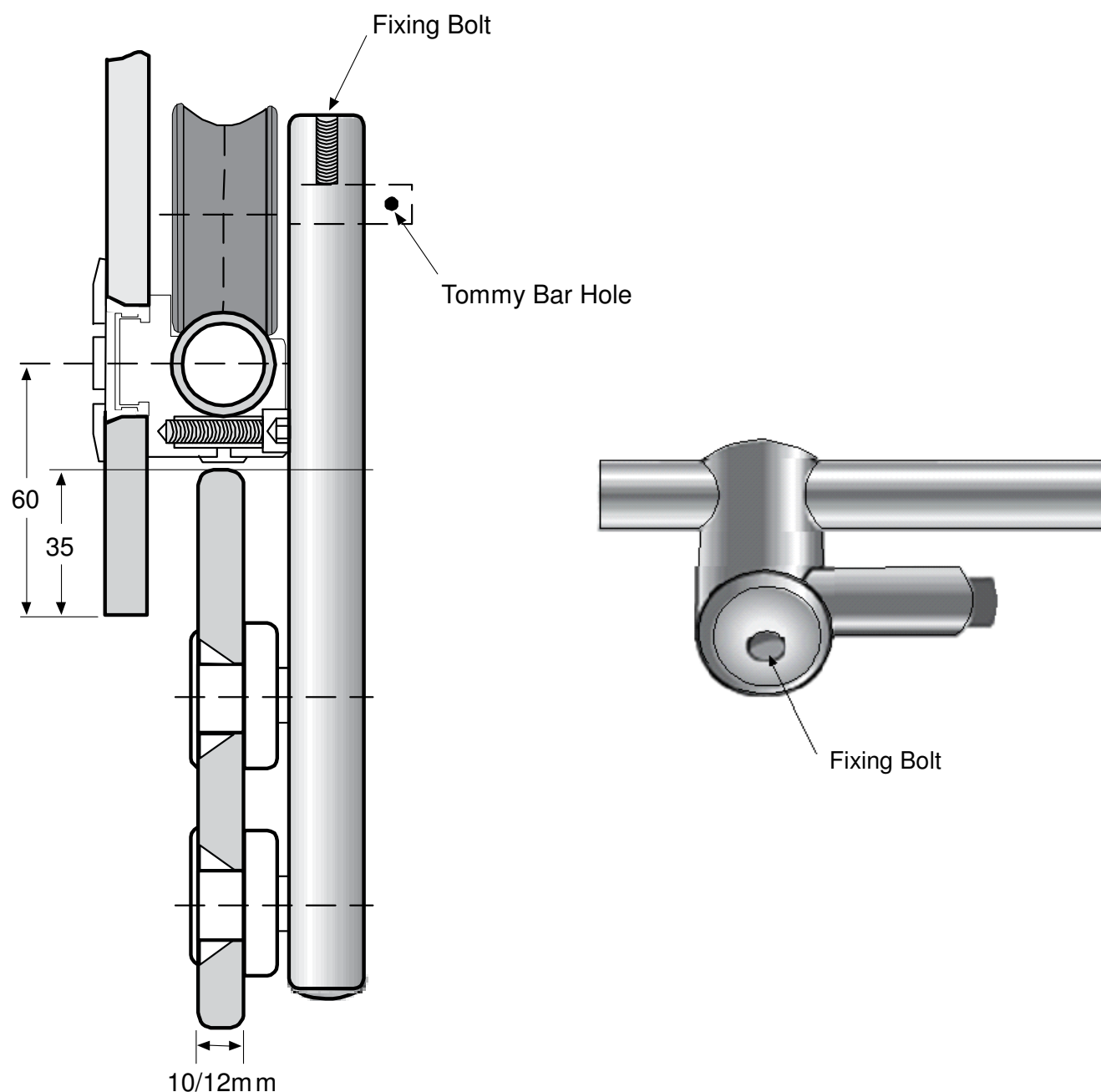
Last updated 2<sup>nd</sup> May 2012



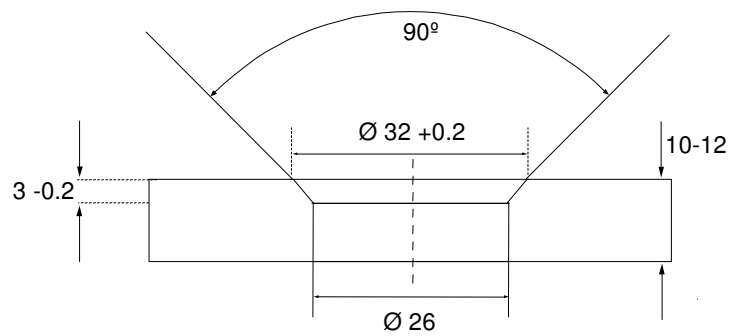
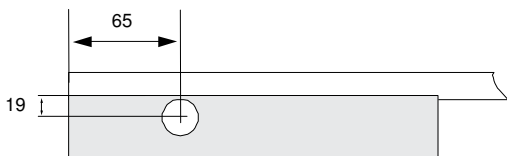
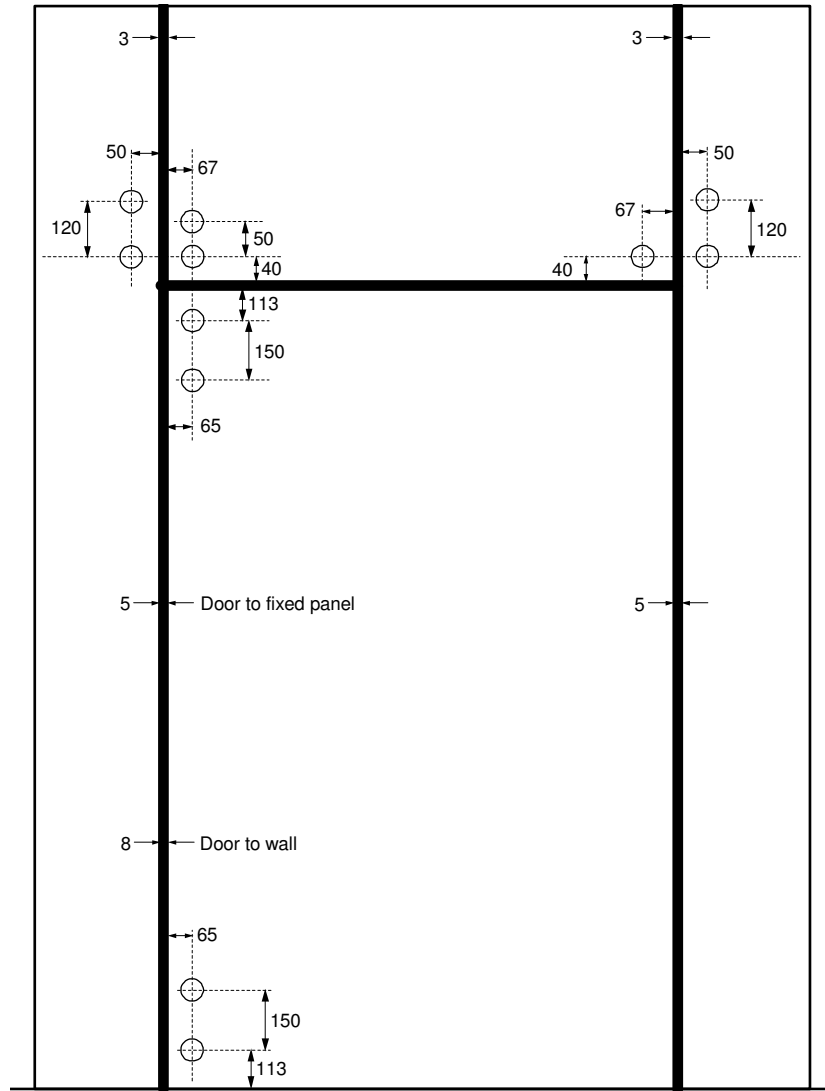
## G-Tech sliding door system (continued)

### Final adjustments

When hanging the door the final height adjustments (to ensure correct position in the floor guide) can be made by the eccentric shaft in the hanger. Simply loosen the fixing bolt and adjust using the 'tommy bar' hole. Re-tighten fixing bolt. Track end pieces are fitted by simply pushing them into the tube. The stop fixing bolts must be tightened.

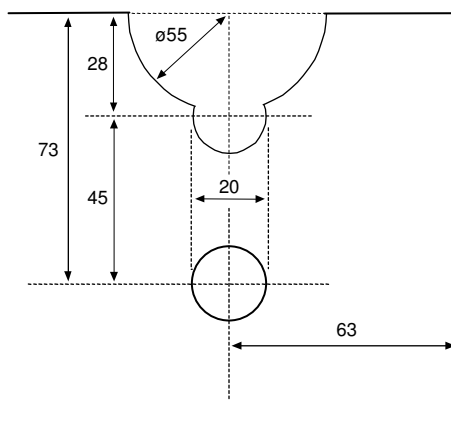


# G-Tech pivot - Drilling detail



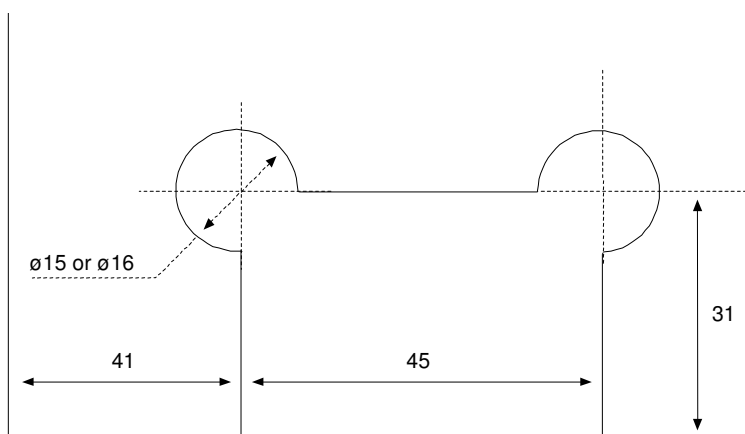
## GP10, GP20 Door patch

### Notching detail



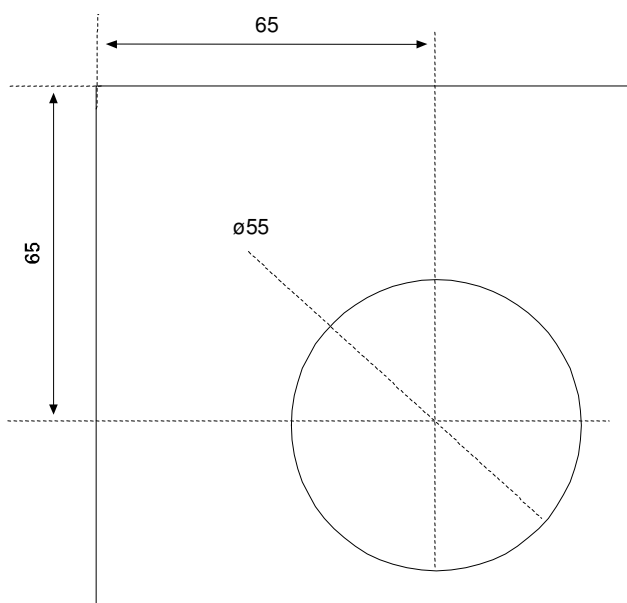
## GP30 Door patch

### Notching detail



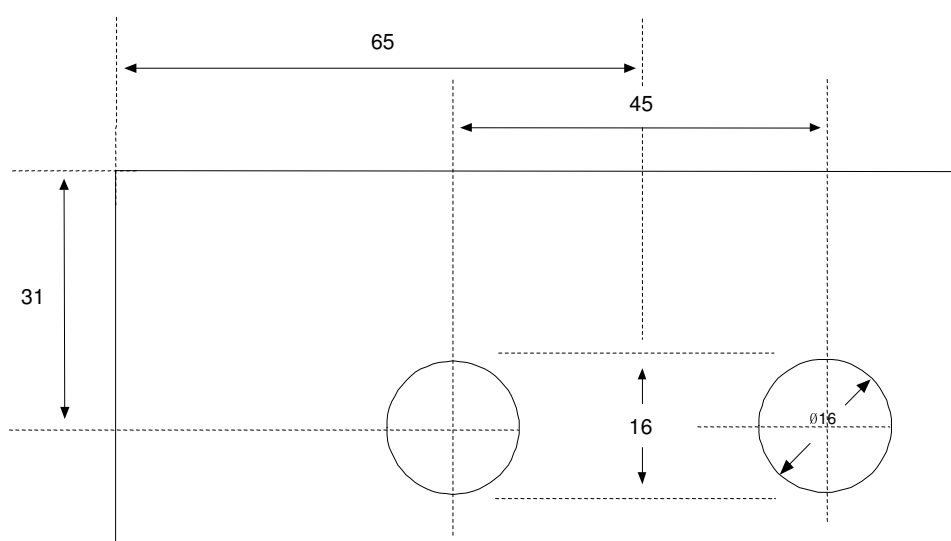
## GL34S Patch lock

### Notching detail



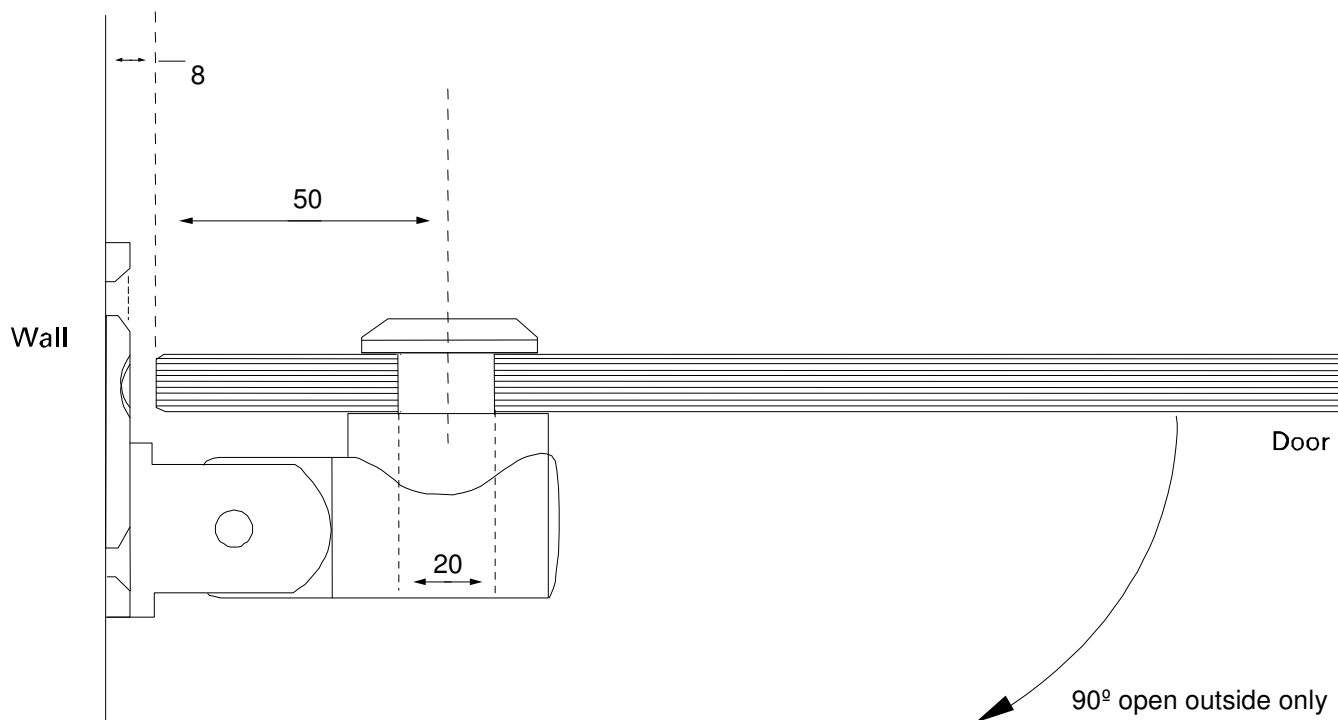
## GL34K Patch keep

### Notching detail



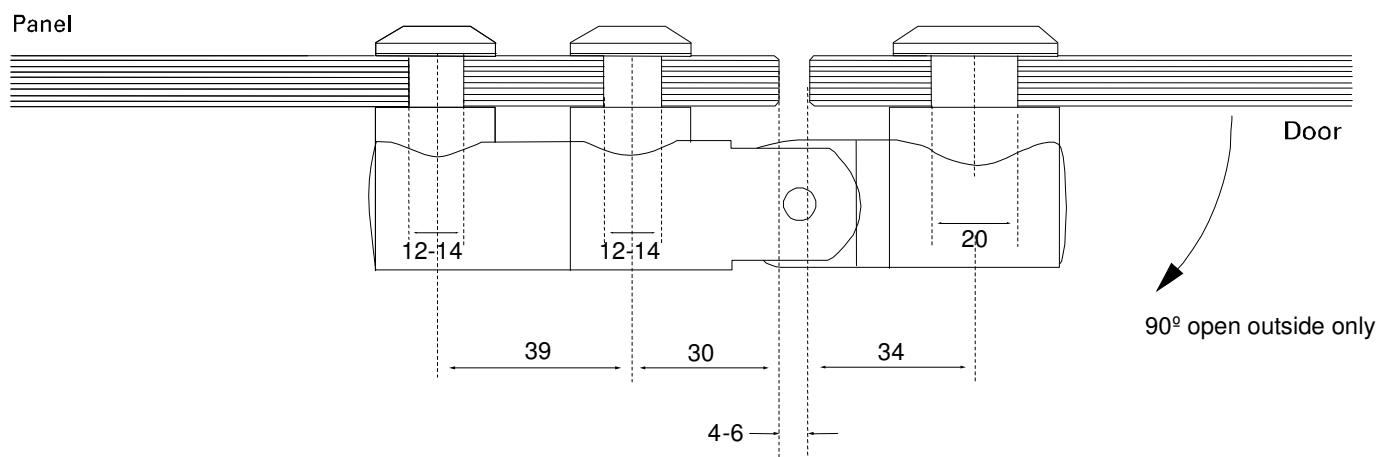
## GX512.1

### Glass to wall hinge detail



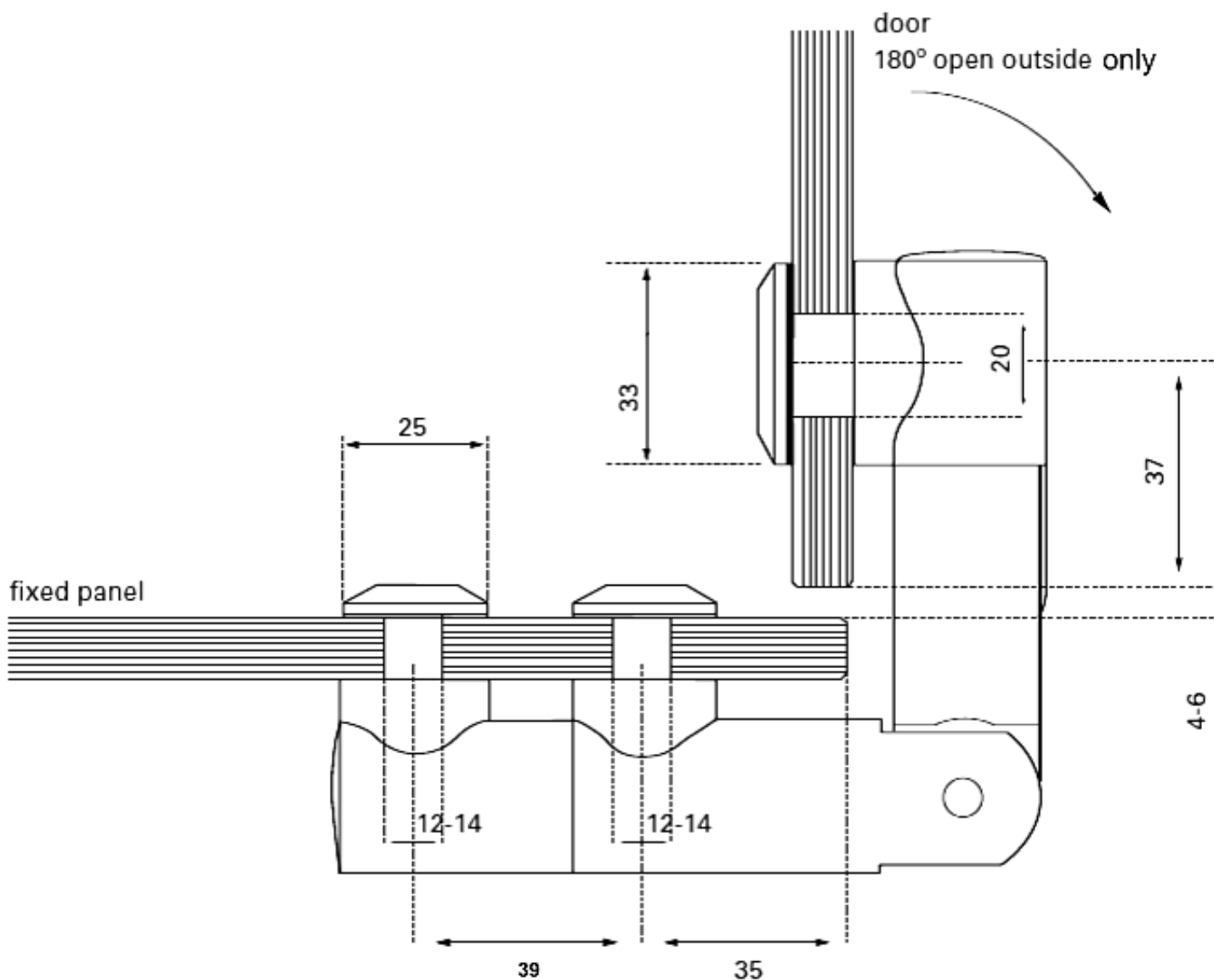
## GX512.2

### 180° Glass to glass hinge detail



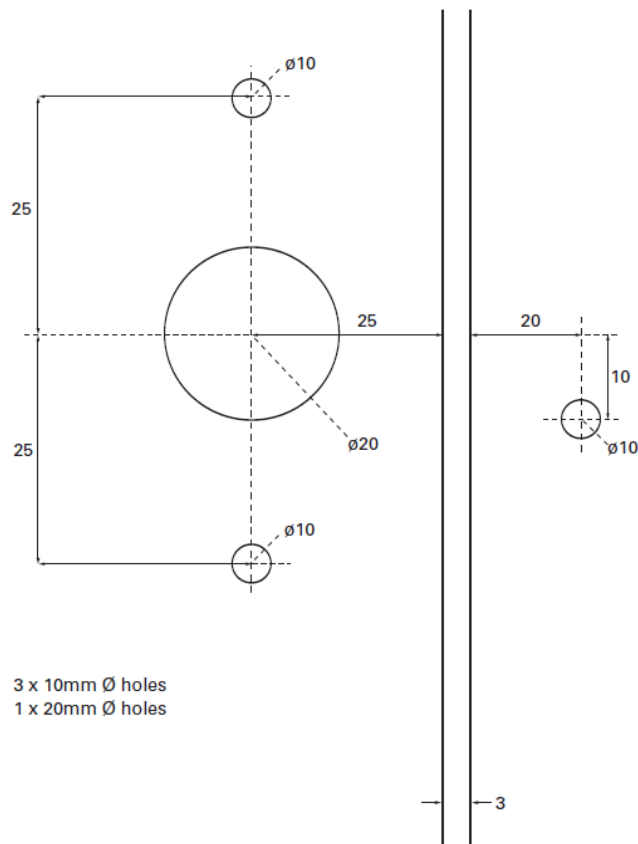
# GX512.4

## 90° Glass to glass hinge



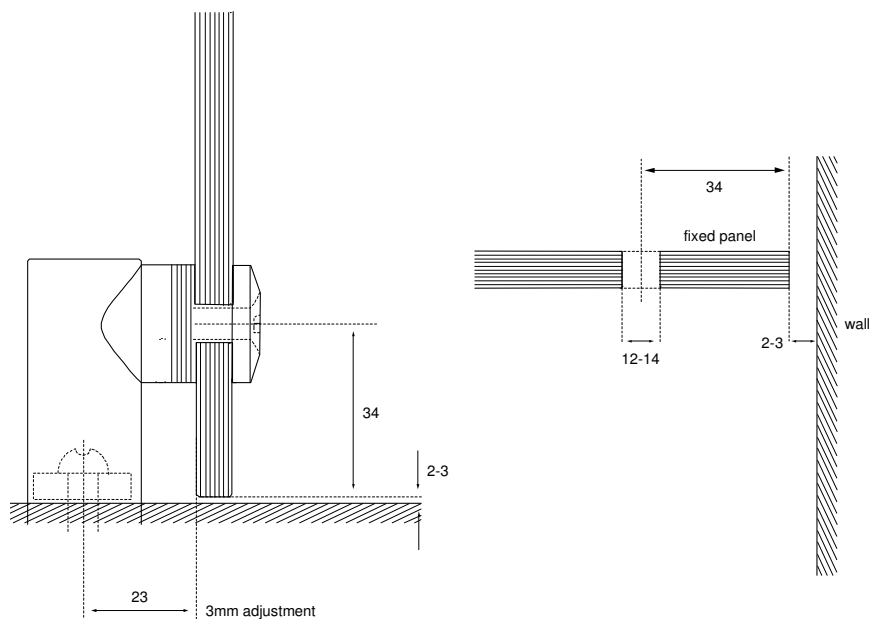
# 558 Latch

## Notching details



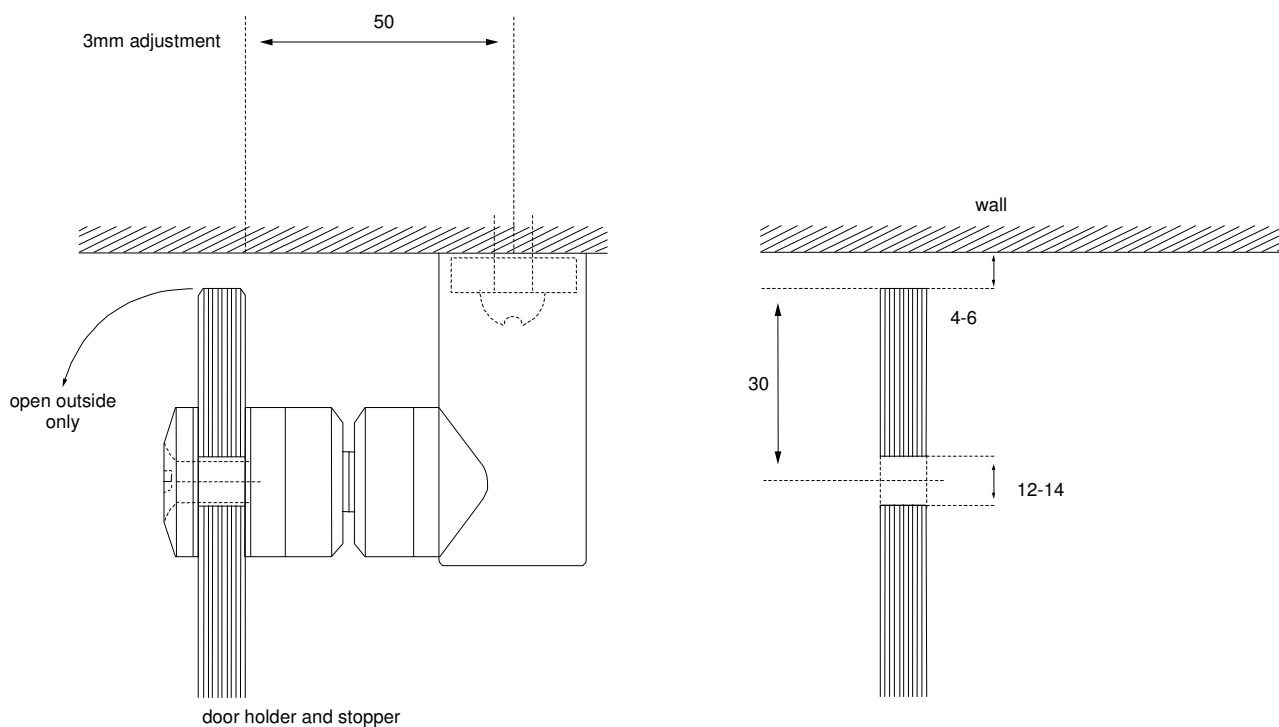
# GX62.1

## Connector to fix glass panel to the wall, floor or ceiling



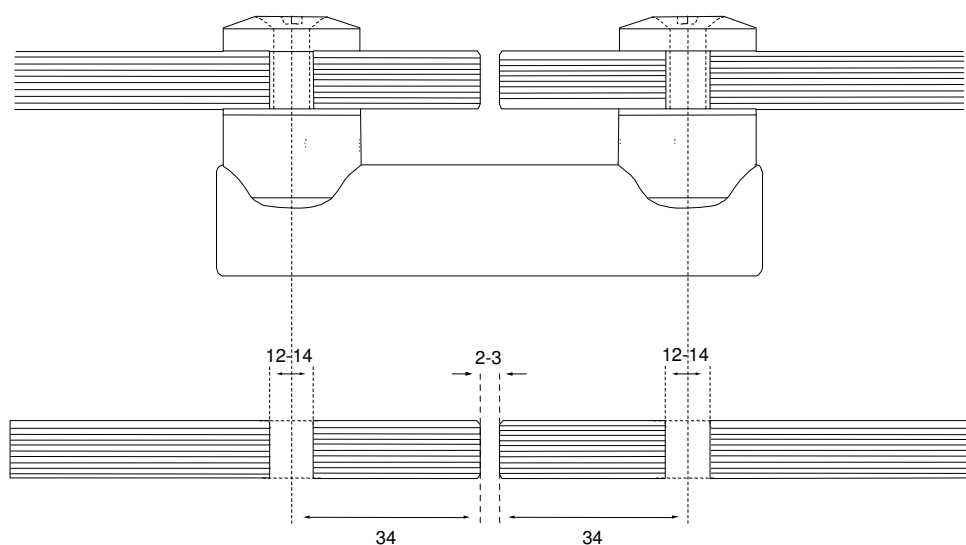
## GX62.1 MH

### Wall mounted magnetic catch and door stop



## GX62.2

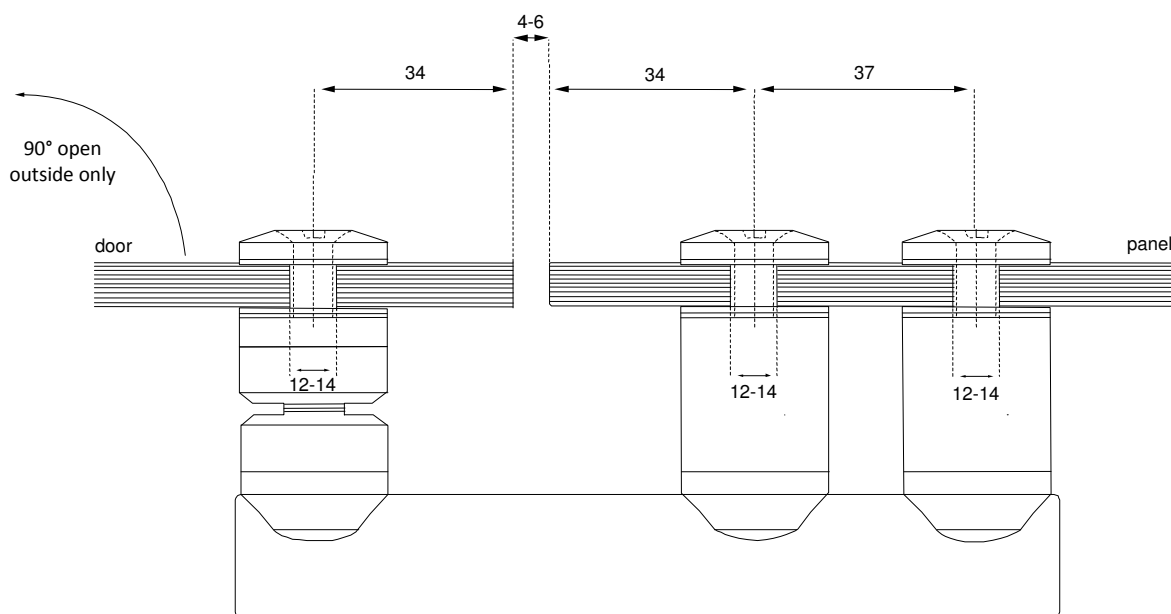
### 180° Glass to glass connector for fixed glass panels





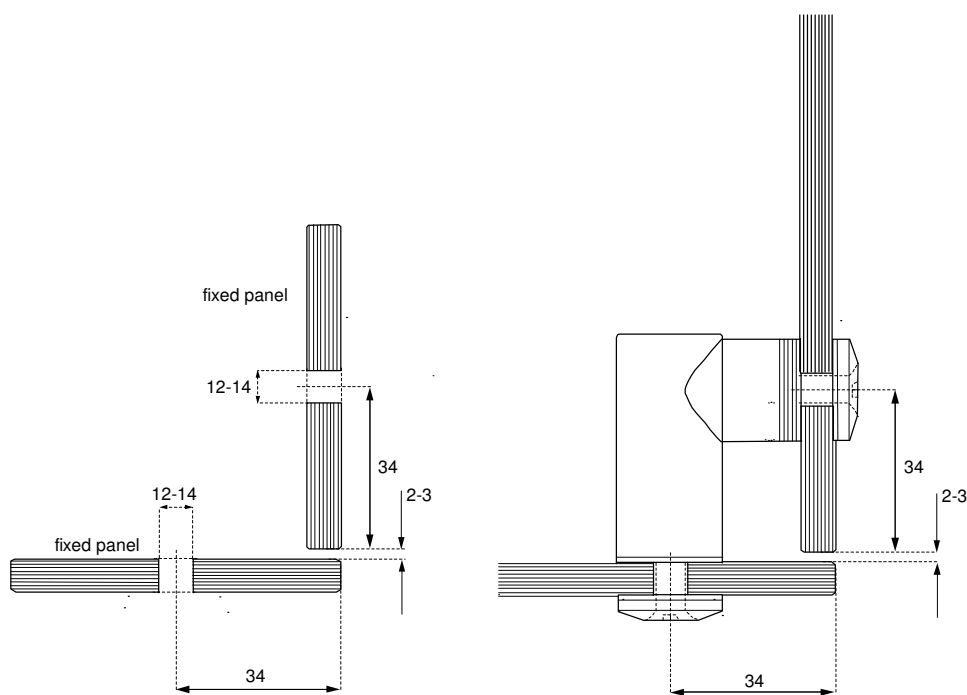
## GX62.2 MH

### 180° Glass to glass magnetic catch and door stop



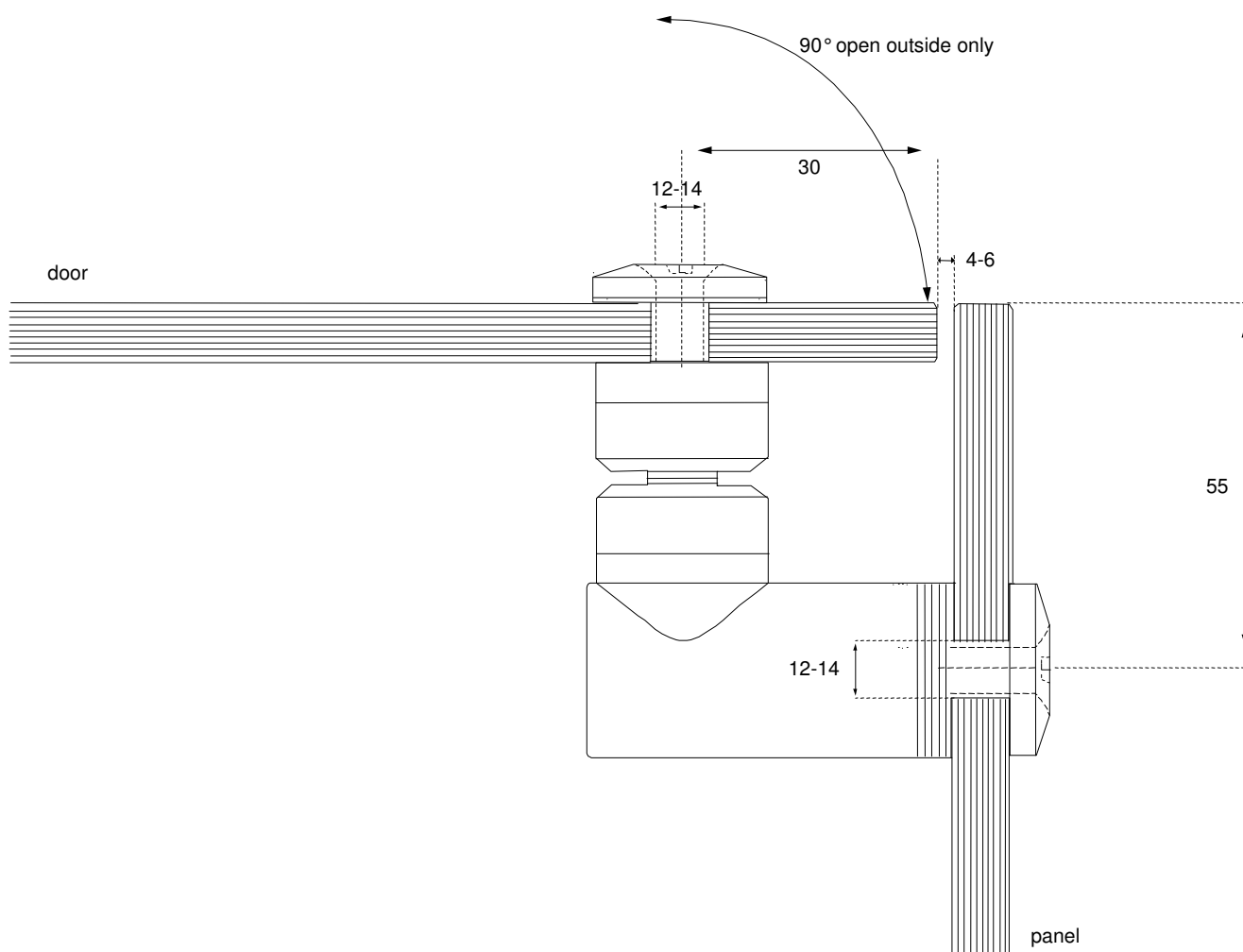
## GX62.4

### 90° Glass to glass connector for fixed panels



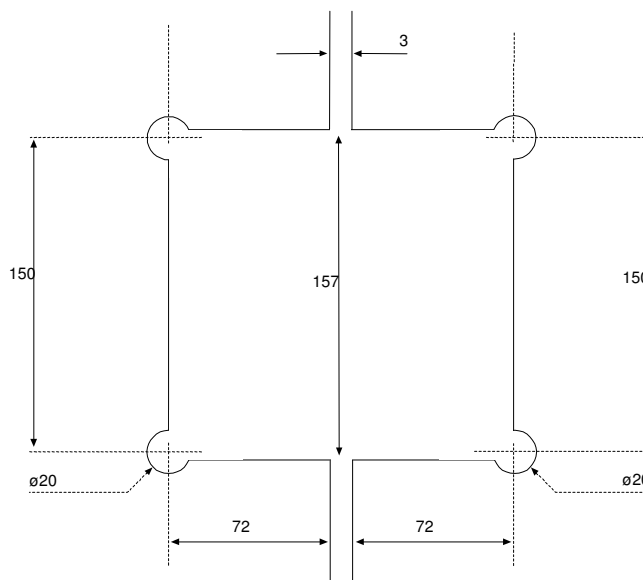
# GX62.4 MH

## 90° Glass to glass magnetic catch and door stop



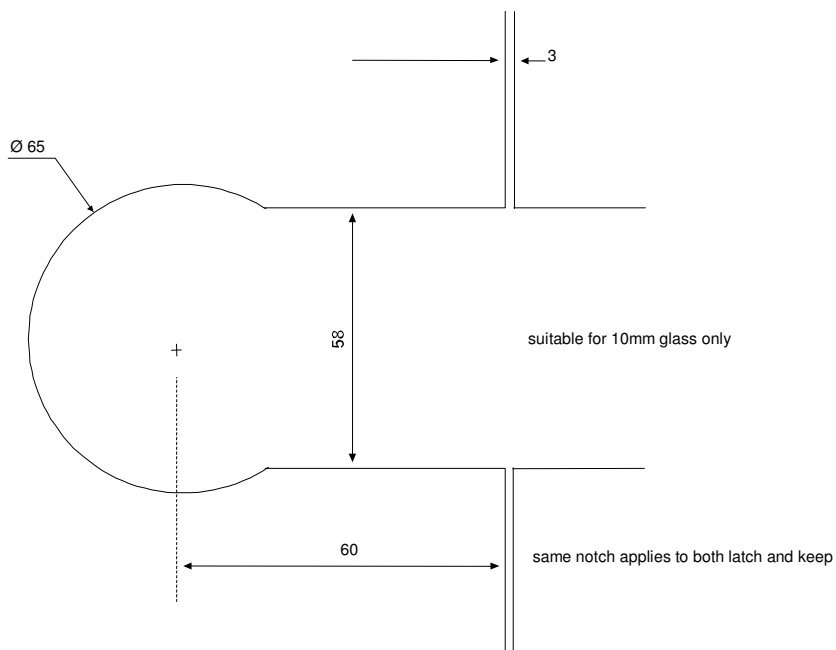
## Lock 22411, Keep 22421

### Patch lever lock & keep notching details

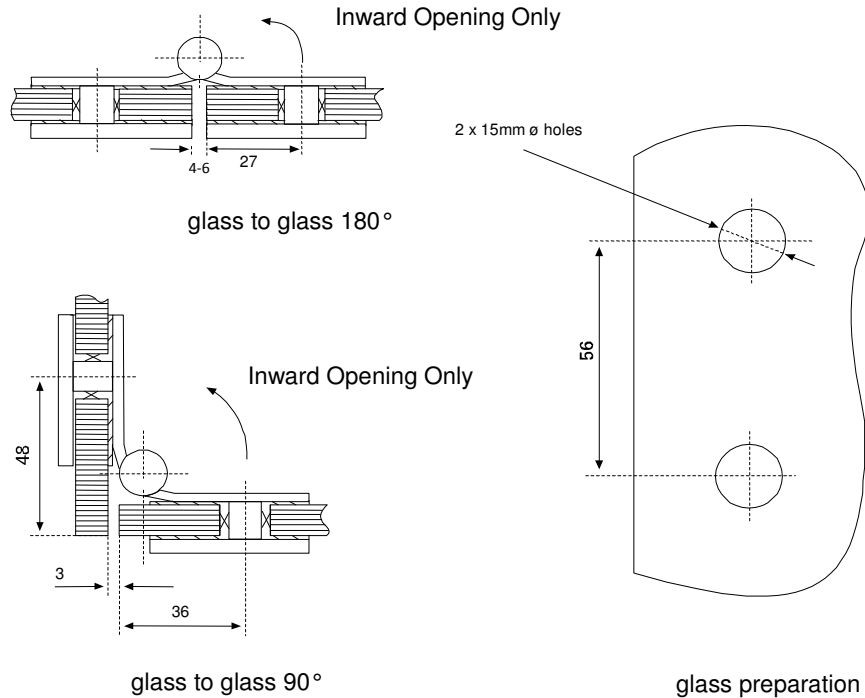


## Latch 22511, Keep 22521

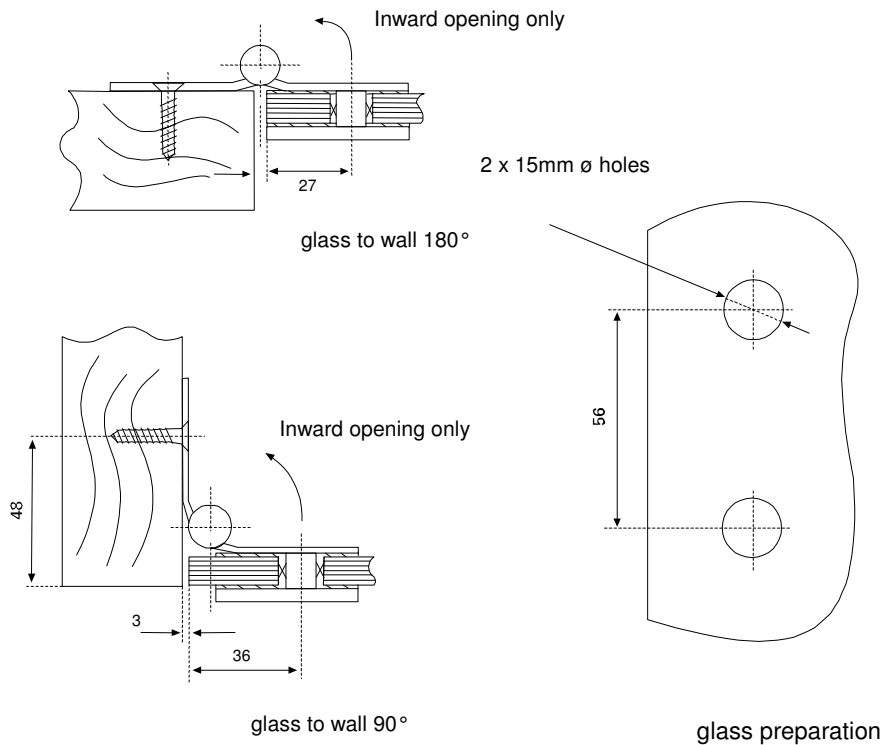
### Privacy lever latch – 10mm glass only



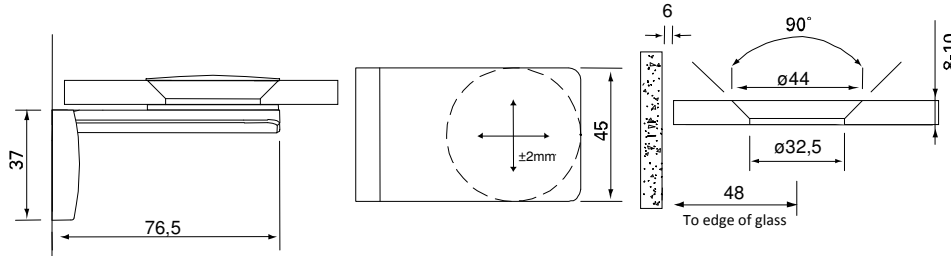
## Hinge 22113GG - Glass to glass hinge



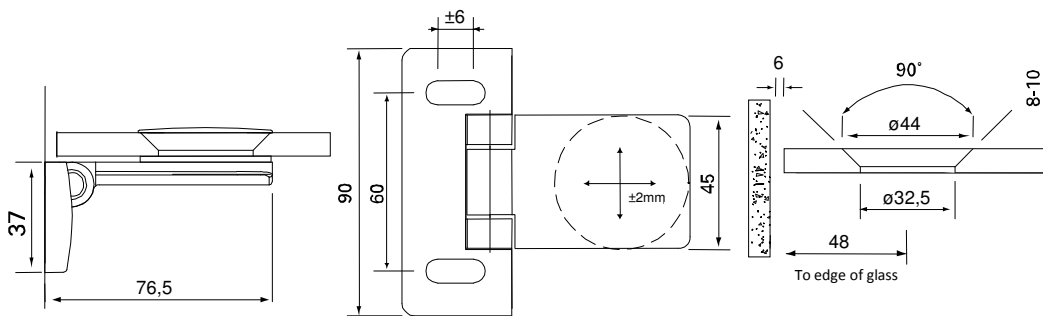
## Hinge 22113GW - Glass to frame hinge



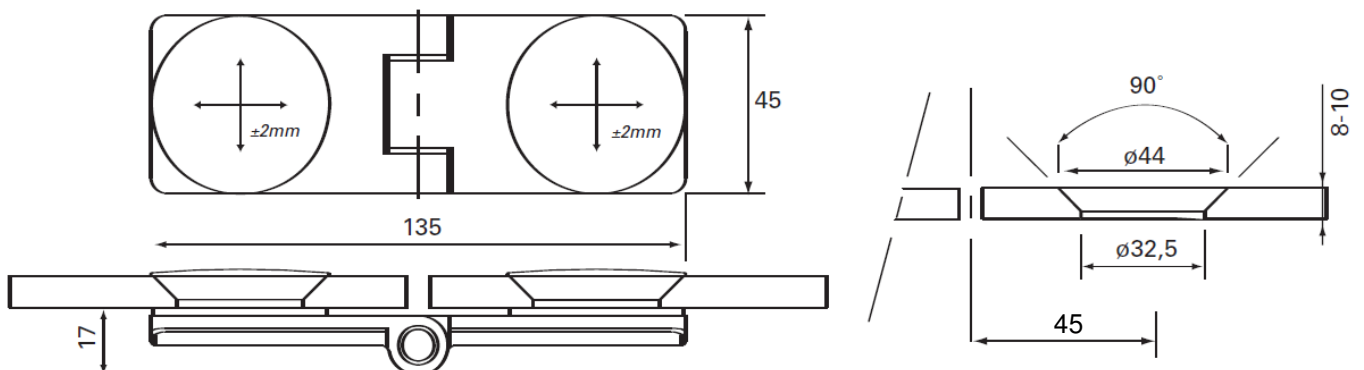
## 540004 – 90° Glass to Wall Connector



## 540006 – 90° Glass to wall hinge

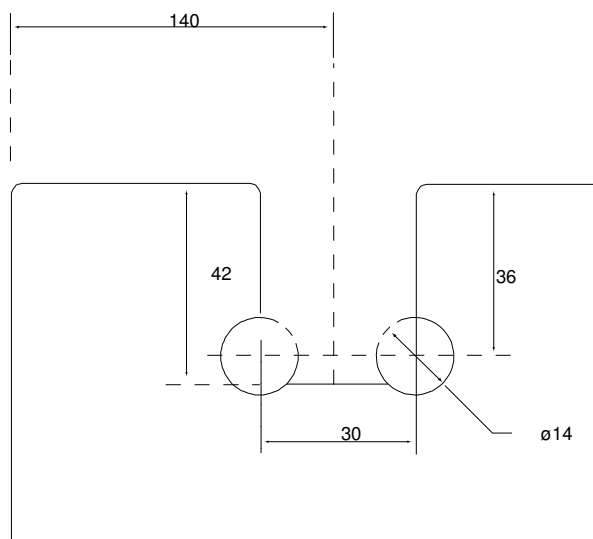


## 540001 – 180° glass to glass hinge

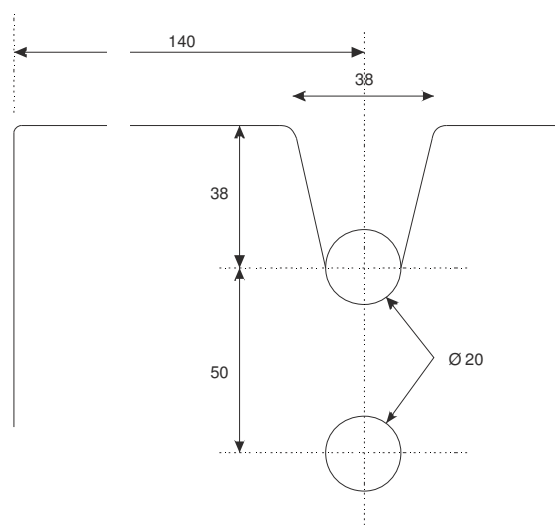


## SDT 120 Sliding door system

RH65 Roller hanger  
10mm Glass Only

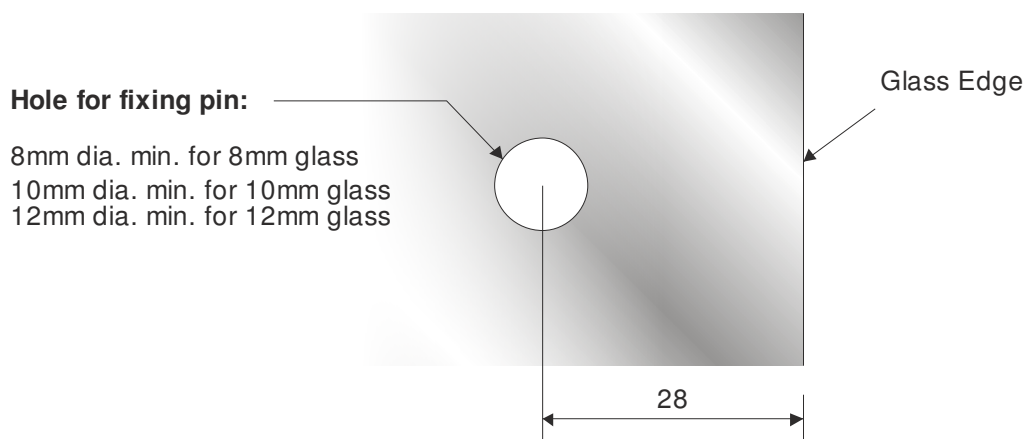


RH68 Roller hanger  
10–12mm Glass



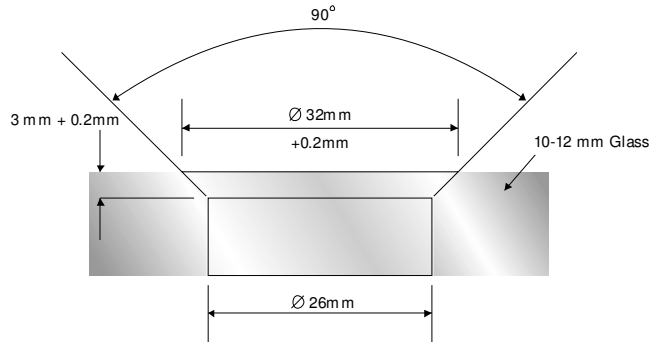
## 1260 Balustrade clamp with security pin

Drilling detail



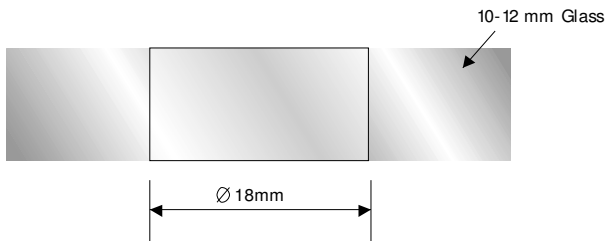
# G102C

## Drilling detail



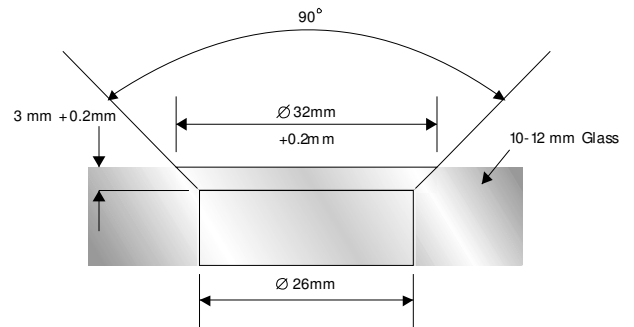
# F24

## Drilling detail



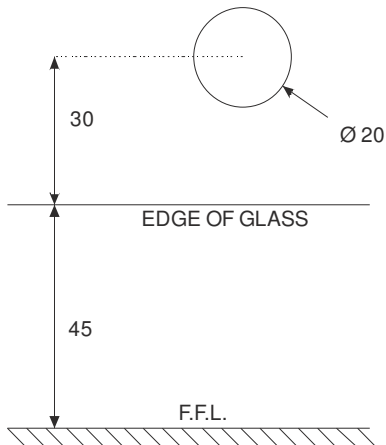
# C24

## Drilling detail

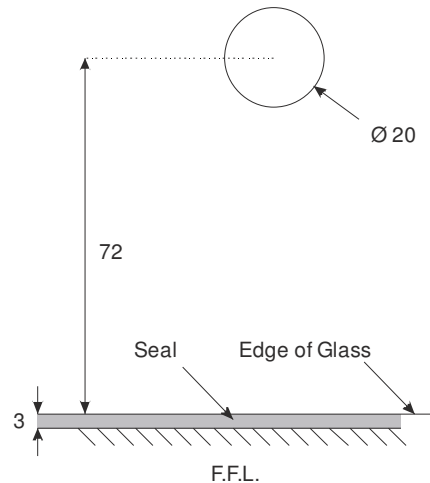


# G245F

## Cubical drilling option

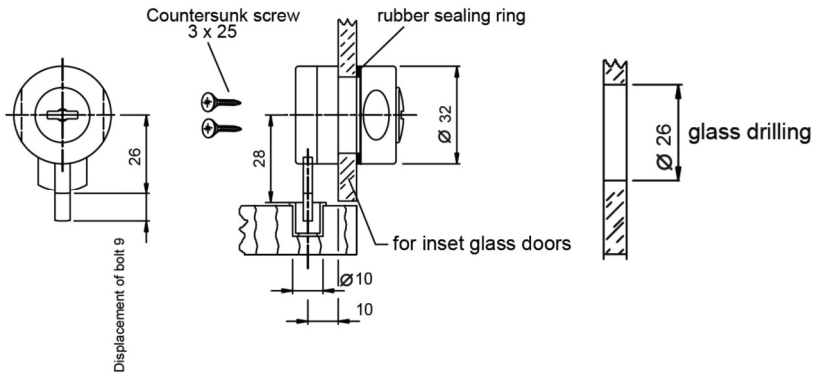


## Standard fix option

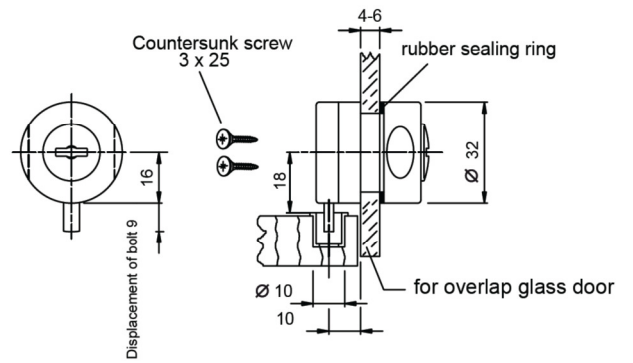


# Vitris Glass Locks

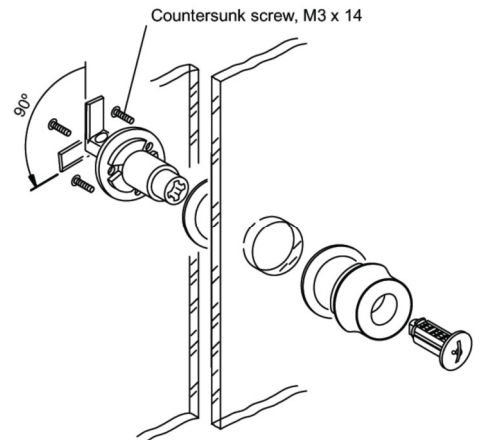
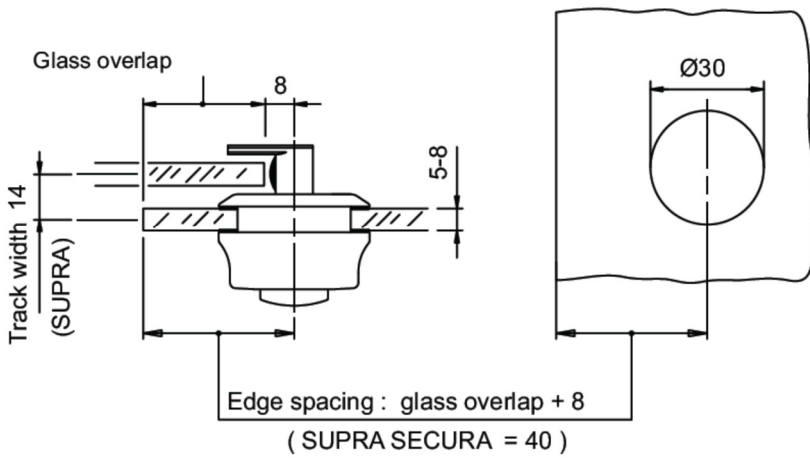
## Inset Glass Lock



## Overlap Glass Lock



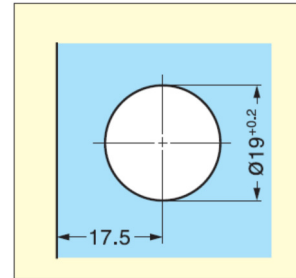
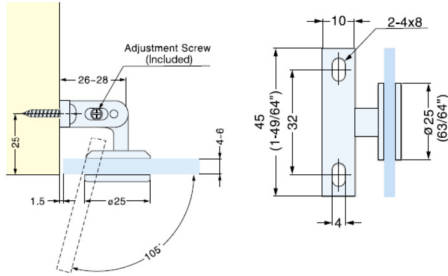
## Security Cylinder





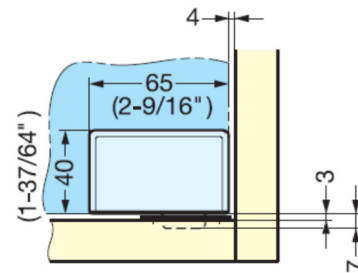
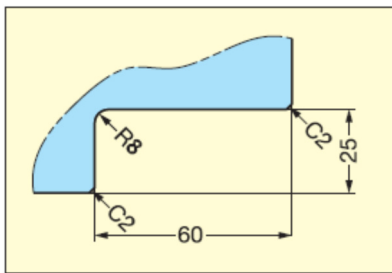
# Cabinet Hinges

## 4042 Glass to Timber

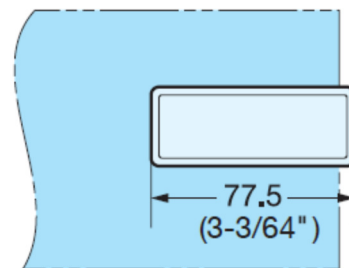
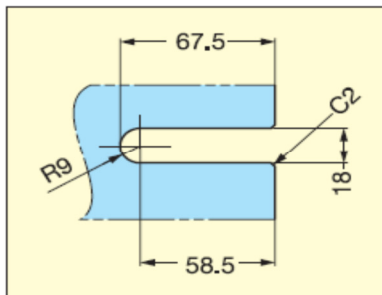


# XL-GC Series Cabinet Fittings

## XL-GC02



## XL-GC07



## XL-GC04

