

RT20 Rate Totaliser



Features

- ▶ Battery or external powered, 6 digit large LCD total & 8 digit cumulative totaliser, 5 digit rate display
- ▶ Robust IP66/67~NEMA 4X aluminum field & panel mountable housing
- ▶ Simple flow chart touch key programming
- ▶ Scaleable universal pulse or frequency inputs
- ▶ LCD Backlighting standard
- ▶ PIN protected programming
- ▶ Scaled pulse output
- ▶ Long battery life
- ▶ Non volatile memory
- ▶ Reverse polarity protection

Options

- Heavy duty fascia protector shield
- Relay board with SPDT outputs
- Flowmeter & pipe mount kits

Also available

- Battery totalisers
- Automatic batch controllers
- Rate totaliser with 4~20mA, alarm & scaleable outputs, dual flow inputs & linearization.

Programming

Simple PIN protected flow chart programming with English prompts guide you through the programming routine greatly reducing the need to refer to the instruction manual.

Overview

The RT20 battery powered flow rate totaliser is specifically designed for computing & displaying flow rates & totals from flowmeters with pulse, sine wave or frequency outputs.

The instrument displays resettable (batch) total, cumulative total and instantaneous flow rate in engineering units as programmed by the user.

Robust field & panel enclosure

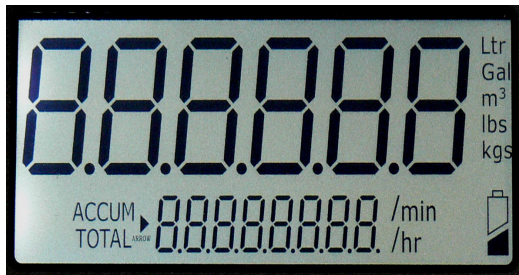
Designed for the more rugged applications in mines sites & mobile installations, the RT20 LCD display has a backlight panel & large digits for distance viewing at night.



Specifications

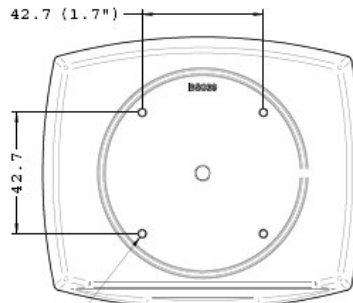
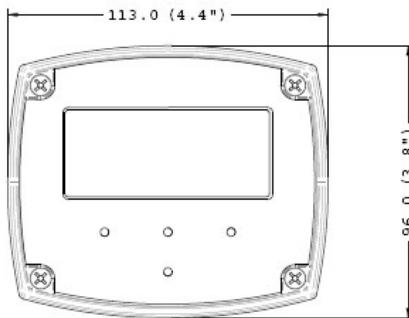
Liquid crystal display (LCD)	two lines of display with subscripts & icons
Instantaneous flow rate	5 digit to 3 decimal places, units/sec, /min, /hr or /day
Resettable total	6 resettable digits 17mm high, 3 decimal places maximum
Accumulated total	8 digits 7mm high programmable to 3 decimal places
Engineering units displayed	litres, gallons, m3, lbs, kgs or no eng. units displayed
Input types (pulse & freq.)	reed switch, open collector, coil (15mV P-P min.) namur & other proximities
Input frequency range (rate)	0.1hz to 5Khz (with programmable low frequency cut-off)
Input scaling range	0.001~99,999.999 (scale or K-factor)
Backlighting	illuminates only with 8~24Vdc external power applied
Pulse output (NPN)	scaled pulse matches whole number of display (pulse width mirrors pre-scaled incoming pulses)
Operating temperature	-10~+80°C (14~176°F), refer factory for higher temp.
Power sources	one 3.6V lithium battery and/or 8~24Vdc external source
Options	facia proctor, 3mm clear polycarbonate plate with operator access aperture. relay output board (provides contact closure)
Enclosure	IP66/67 (NEMA 4X) powder coated aluminum
Mounting flexibility	meter & stem mount, wall, surface, pipe or panel mount

IN THE INTEREST OF CONTINUED PRODUCT DEVELOPMENT TRIMEC RESERVES THE RIGHT TO ALTER THE DESIGN & SPECIFICATIONS WITHOUT NOTICE

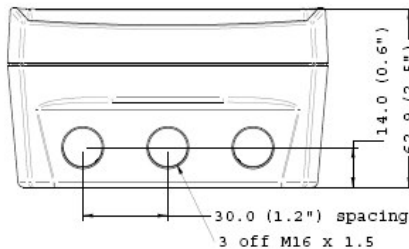


Actual size of LCD display

Dimensions



For optional stainless steel wall mtg bracket (AWM)



pipe mount



meter mounts



panel mount



facia protector

TRIMEC INDUSTRIES PTY, LTD.
1/19 Northumberland Road, Caringbah
NSW 2229, Sydney ~ Australia
tel. +612 9540 4433. fax. +612 9525 9411
email: sales@trimecind.com.au
www.trimecind.com

TRIMEC EUROPE LTD.
tel. +44 144 441 7880. fax. +44 144 441 7668
email: europe@trimec.com

DISTRIBUTED BY