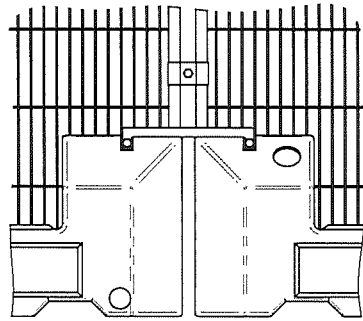
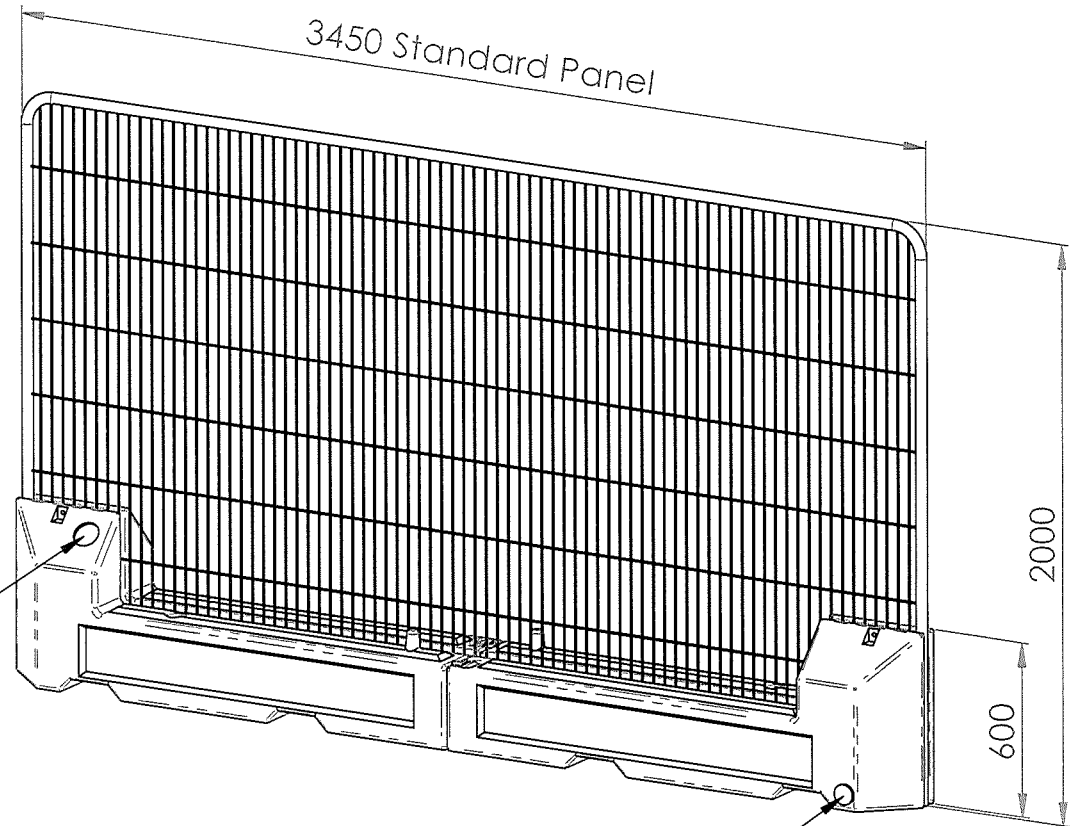


THE INFORMATION CONTAINED IN THIS DRAWING IS THE SOLE PROPERTY OF HERAS. ANY REPRODUCTION IN PART OR WHOLE WITHOUT THE WRITTEN PERMISSION OF HERAS UK FENCING SYSTEMS IS PROHIBITED.

DRAWING REVISION CHANGES			
REV	DATE	DRAWN	ALTERATION
-	-	-	-

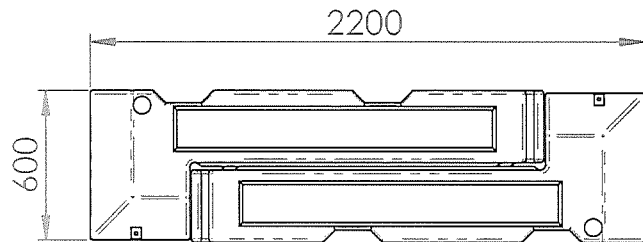


Multiple bays are connected using the supplied braces along with standard panel clamps.

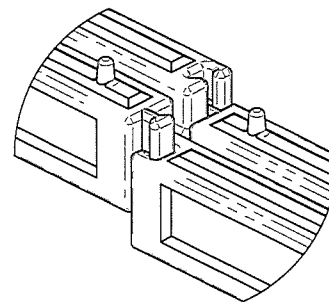


75mm Water Fill Point

50mm Drainage Point



Two units stack together for storage and handling.



Two units connect together making one bay.

UNLESS OTHERWISE SPECIFIED  
DIMENSIONS ARE IN MM  
TOLERANCES ARE:

+0.50mm  
-0.50mm

MATERIAL --

FINISH --

DRAWN JNB 20/10/2014

CHECKED JNB 20/10/2014



READYFENCE HIRE & SALES

**HERAS INTER-BLOCK BARRIER**

DWG. NO. REV. 0

3D MODEL REF: SHEET 1 OF 1