

v-FLOW

FILON

GRP valley troughs

- A complete range for use with natural or man-made slates and clay or concrete tiles
- Life expectancy of over 30 years
- Convincing simulation of traditional lead
- Light and easy to transport, handle and install
- Virtually maintenance-free
- Manufacture assured to BS EN ISO 9001
- BBA Certification (No 07/4492)



CERTIFICATE No. 07/4492

FILON®



The cost-effective alternative to lead gutters

Filon has been producing GRP (Glass Reinforced Polyester) products for over 50 years and produced the first GRP valley gutters by continuous process in the 1980's.

Filon's V-Flow valley troughs are manufactured from lead grey GRP (Glass Reinforced Polyester), to provide a cost-effective alternative to traditional lead roof gutters.

Suitable for all kinds of pitched roofs

V-Flow valley troughs can be used with clay or concrete tiles or slate roofs, as well as profiled GRP or metal roofs. Options are available for wet or dry fixing (with or without mortar).

Excellent long-term durability

UV protected surfaces provide V-Flow valley troughs with excellent protection against weathering and discolouration, with a life expectancy of over 30 years.

Easy to handle and install

At a fraction of the weight of lead and supplied in convenient three metre lengths, V-Flow valley troughs are easy to transport and handle on-site. They are easy to cut and sufficiently flexible to allow for a variety of roof pitches.

Virtually maintenance-free

The UV inhibiting film applied to the external surfaces of V-Flow valley troughs restricts mould and fungal growth which would impede water flow over time.

Quality assured to BS EN ISO 9001

Filon's stringent quality programme applied to the V-Flow manufacturing process, ensures consistent profiles and excellent colour matching.

Certified fire performance

V-Flow valley troughs are fire rated to BS 476 Part 3 – SAB & BS 476 Part 7 – Class 3

A range to meet your needs

V-Flow valley troughs are available in a range of profiles to meet a variety of application requirements.

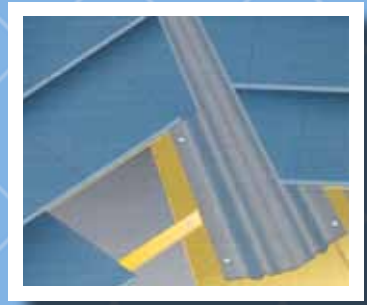
BBA certified

Manufactured to comply with the requirements of NFRC (National Association of Roofing Contractors) *Technical Bulletin 28 – Inclined Preformed Valley Troughs*, V-Flow valley troughs carry the further assurance of BBA Certification – No. 07/4492.

Available nationwide

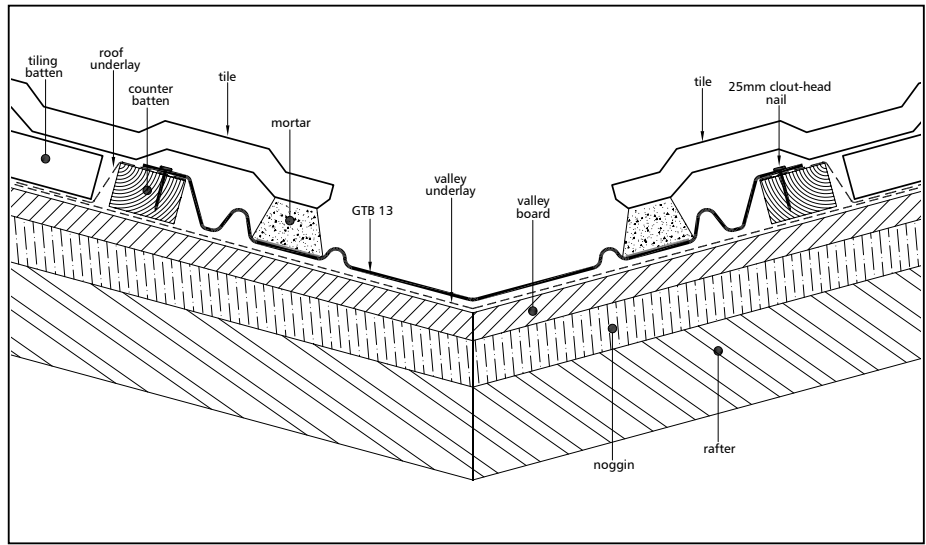
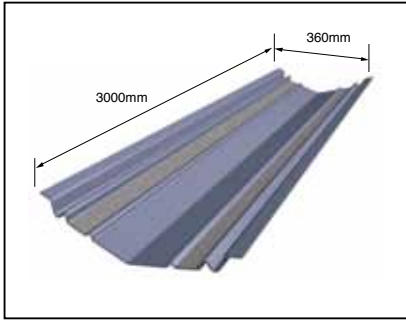
Filon's V-Flow range of valley gutters is available through selected distributors. Please contact the Filon Sales Office for details of stockists.



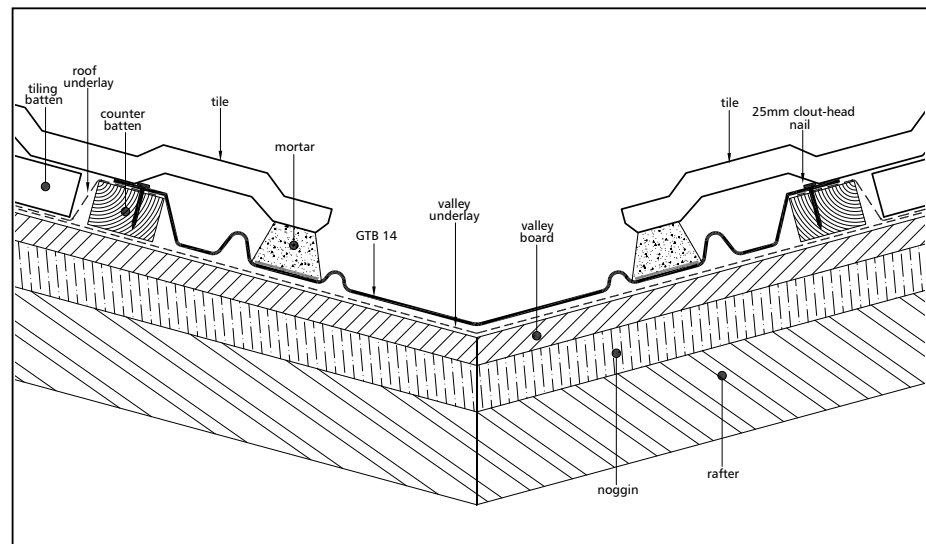
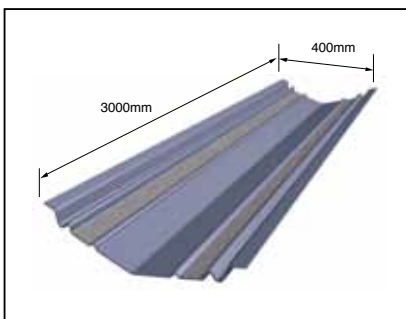


FILON[®]

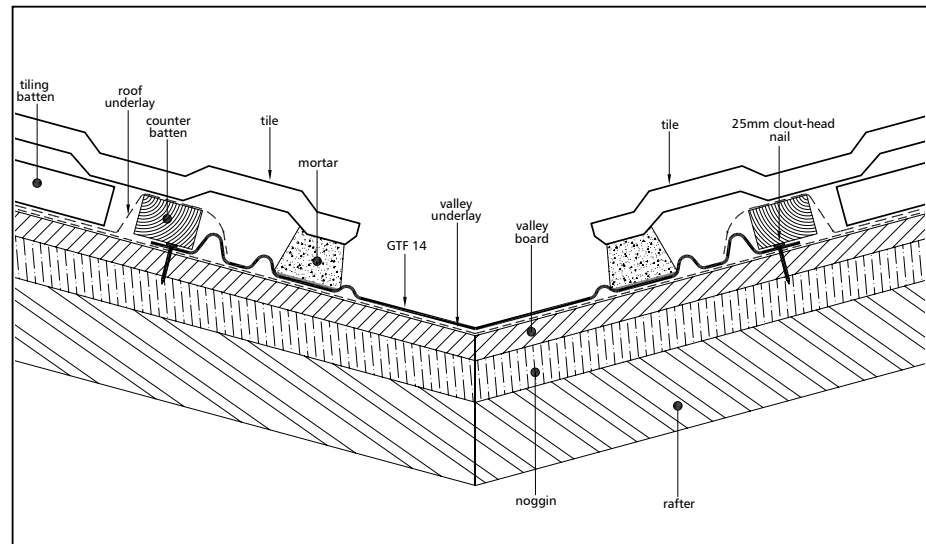
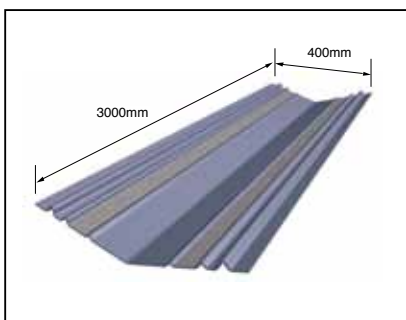
GTB13
Narrow Valley Trough
Single lap tile - over batten fix



GTB14
Standard Valley Trough
Single lap tile - over batten fix

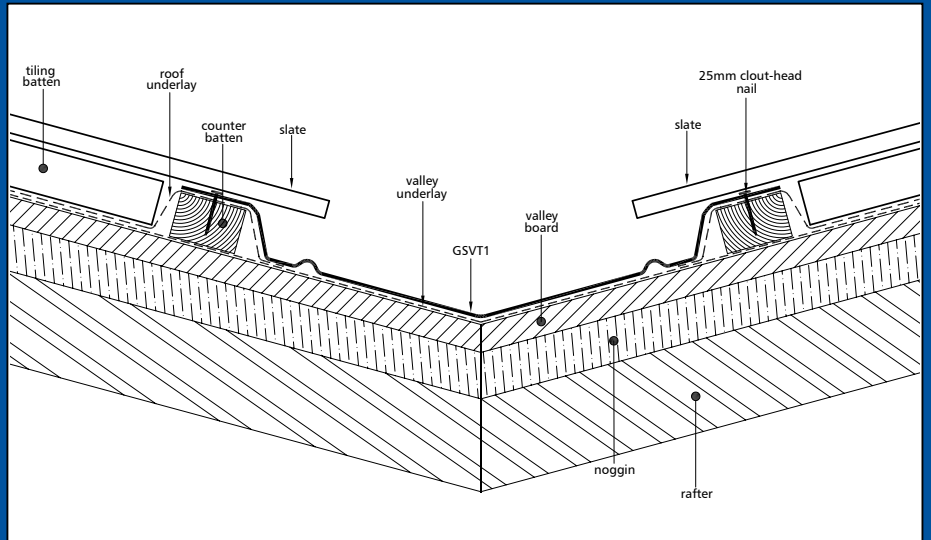
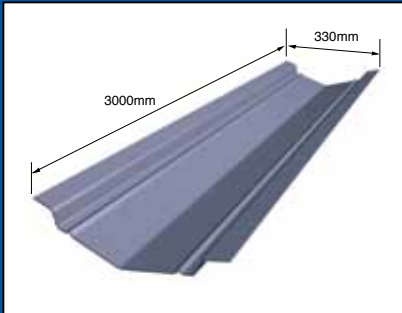


GTF14
Standard Valley Trough
Flat fix

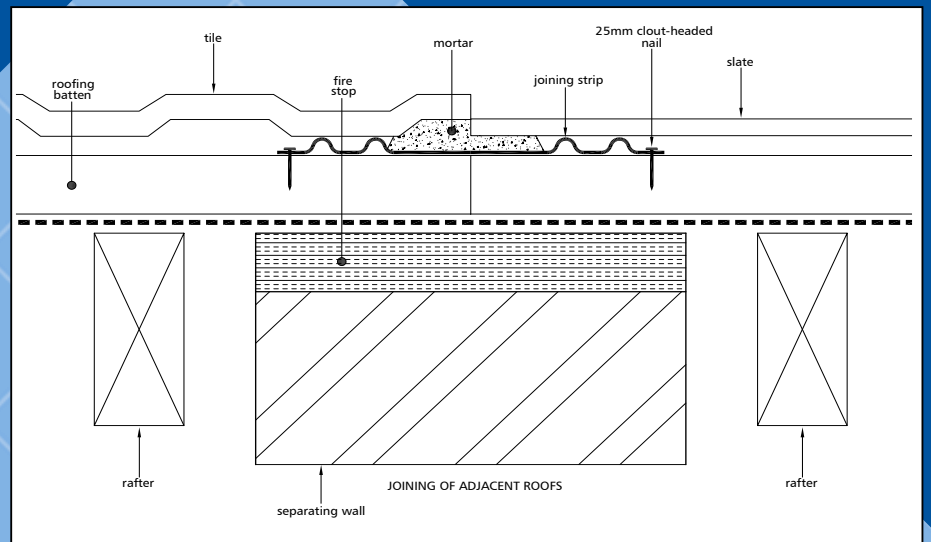
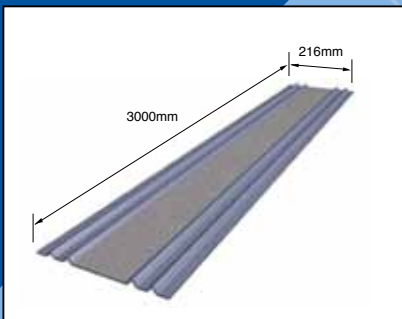


GSVT1 Standard Valley Trough

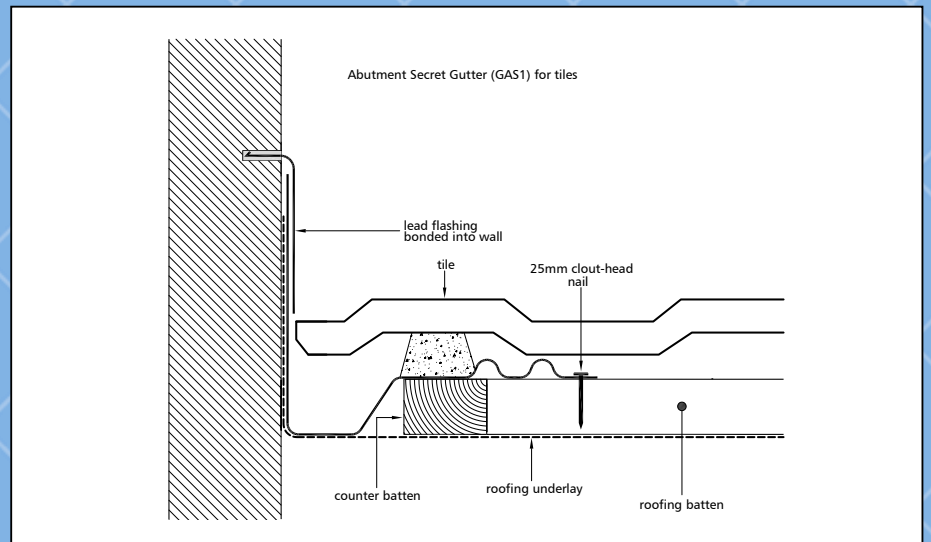
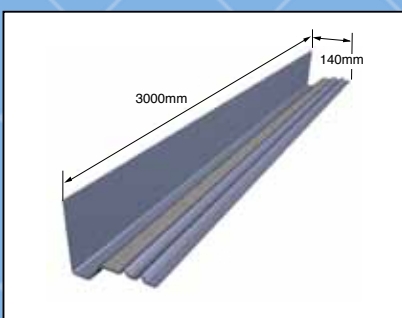
Double lap - slate & tiles



GJS1 Secret Joining Strip



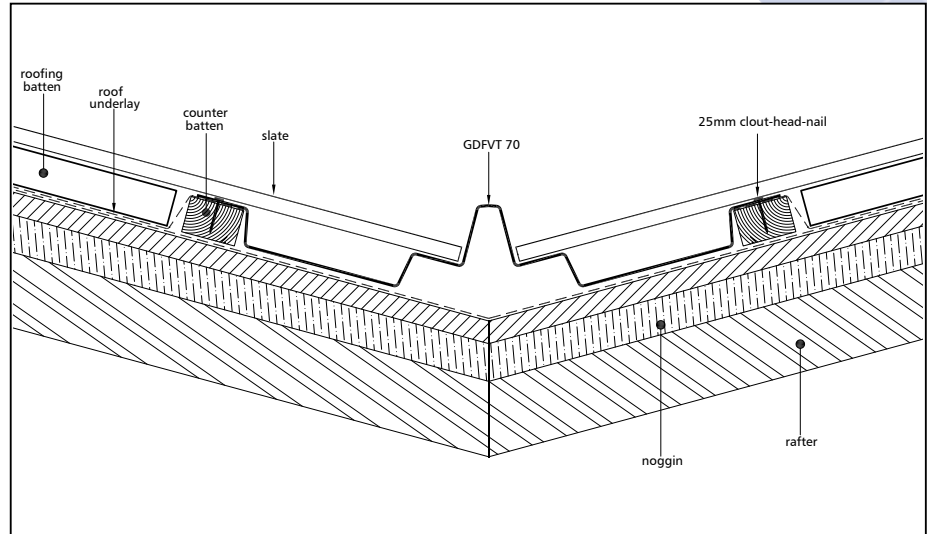
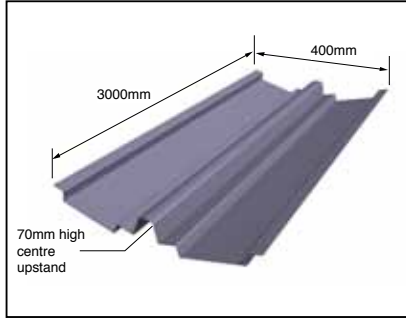
GAS1 Abutment Soaker



V-FLOW DF Dry-fix range

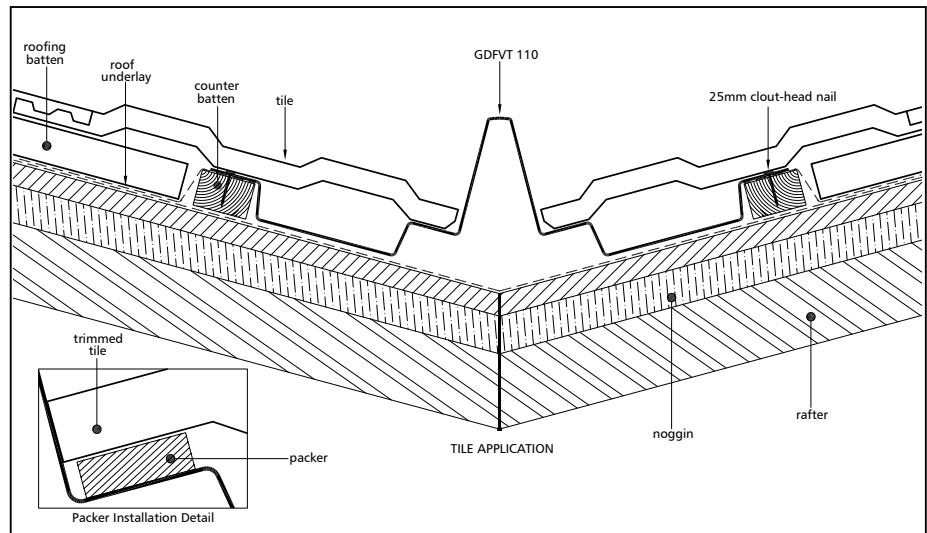
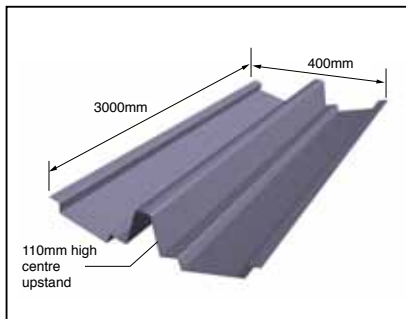
GDFVT70 Valley Trough

for use with natural or man-made slates



GDFVT110 Valley Trough

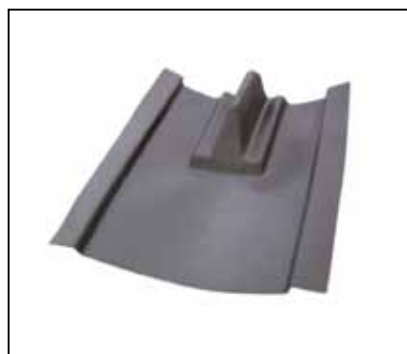
for use with concrete/clay tiles or slate roofing



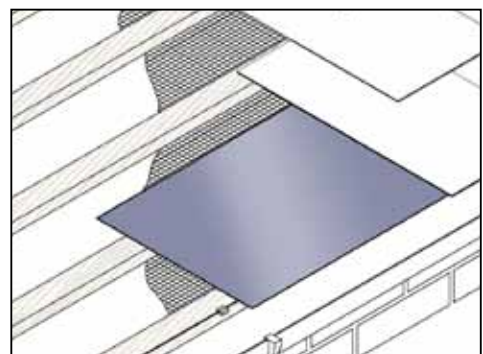
DFVTC70 / DFVTC110 90° Top Closures



DFVTC70 / DFVTC110 Eaves Closures

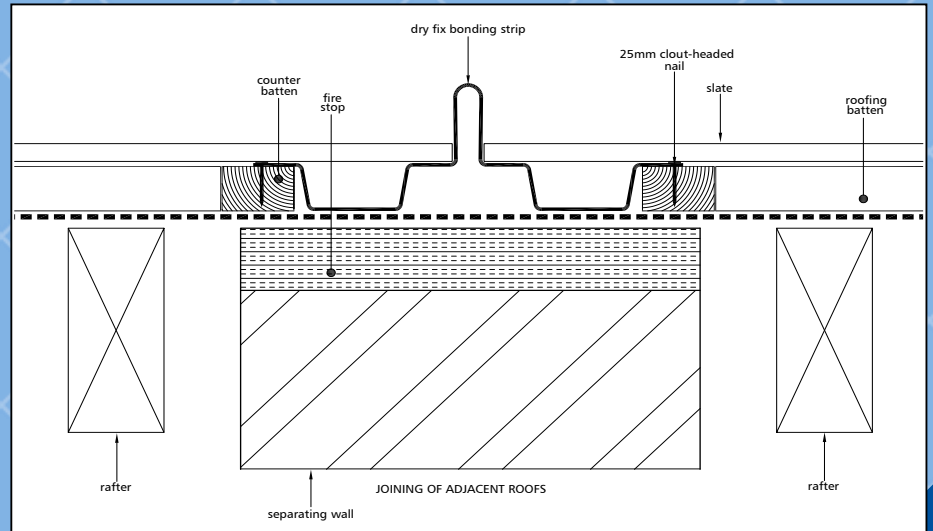
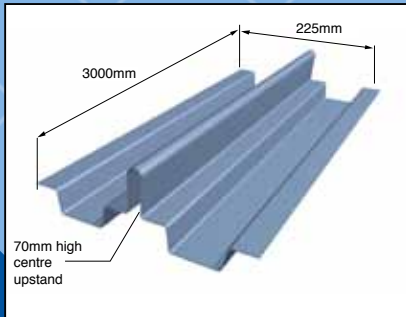


EST360 Eaves Support Tray 3000mm long x 360mm wide



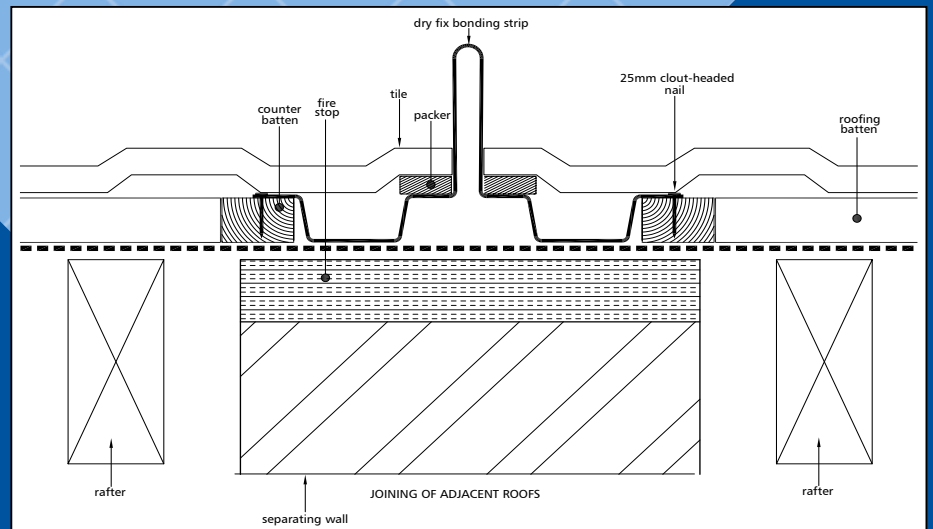
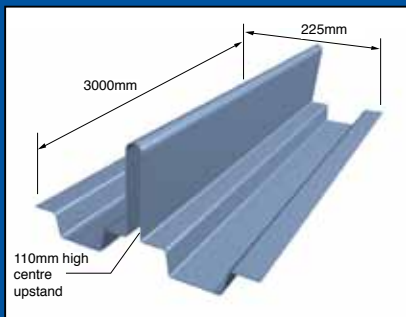
GDFBS70 Dry-fix Bonding Strip

for use with natural or man-made slates

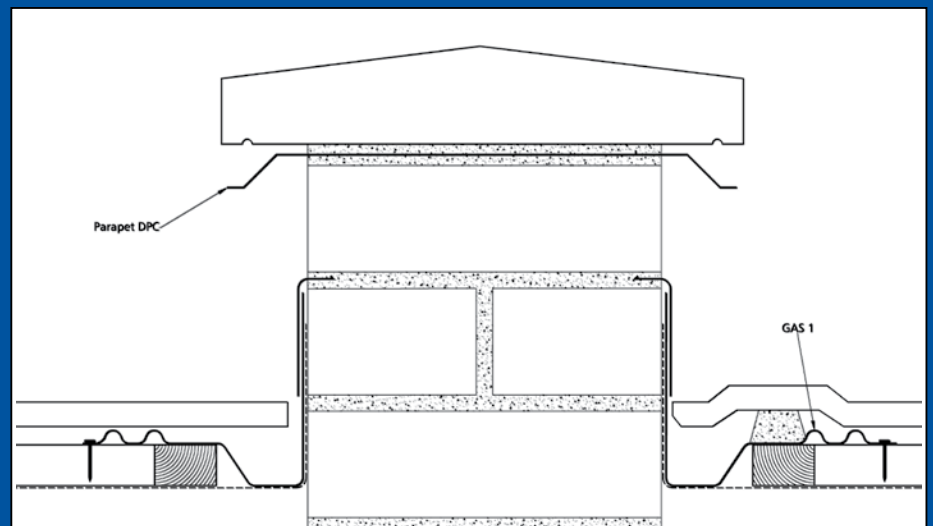
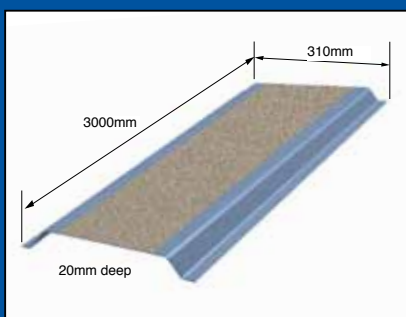


GDFBS110 Dry-fix Bonding Strip

for use with concrete/clay tiles or slate roofing



Parapet DPC



Filon Products Ltd - the construction innovator

Filon has led the development of GRP profiled sheets since the late 1950s - taking full advantage of the light weight and extreme durability of GRP to make it the obvious material choice of rooflight for many types of new build and refurbishment projects. The Filon range includes:

- Standard profiled in-plane GRP rooflights
- Enhanced reinforced range: DR24, DR30 and Supasafe
- GRP FAIRs (factory assembled insulating rooflights)
- Fixsafe safety fixing system for replacing rooflights and roof sheets from inside the building
- Filon Citadel opaque and translucent profiled sheets for harsh and corrosive environments
- Monarch F GRP barrel vault rooflights
- DR Refurb opaque coloured GRP sheets for replacing old asbestos and metal profiled roof and wall sheets
- Filon Over-roofing light weight GRP system for providing a new additional waterproof skin without removing the original asbestos cement roof sheets whilst not increasing the weight of the roof
- Bespoke specialist profiled sheet products

Roofing Products

- V-Flow simulated lead valley gutter system – offers a range of configurations for dry and mortar-fixed applications

Specialist construction materials

- DSP Diffused Sign Panels for back lit signs
- Isofil sheeting for use in water treatment plants for oil / water separation
- Multiclad F hygienic cladding GRP sheets for use as wall and ceiling linings in areas where hygiene is an essential requirement



1. Filon Supasafe reinforced rooflights 2. Filon Citadel profiled sheets for harsh and corrosive environments 3. Filon Fixsafe safety fixing system 4. Filon Over-roofing 5. Filon V-Flow valley troughs 6. Filon Isofil sheets for water treatment plants

FILON®

Filon Products Limited

Unit 3 Ring Road, Zone 2, Burntwood Business Park
Burntwood, Staffordshire WS7 3JQ, England

Tel: +44 (0)1543 687300 Fax: +44 (0)1543 687303

Email: sales@filon.co.uk

www.filon.co.uk

Filon.V-Flow.07.14

FILON is a trademark of Filon Products Ltd.

Information and recommendations contained in this publication are given in good faith without warranty or guarantee. We are constantly seeking to improve our products and therefore reserve the right to alter specifications at any time.

No liability can be accepted for any claims, losses or demands arising from contents of this publication. This statement does not affect statutory rights which cannot be excluded by agreement.

