

# FILON **filonite**

Profiled Translucent GRP roofing sheets

Ideal for • Car Ports • Garage roofs • Covered walkways • Lean to's • Garden sheds • Workshops

- **Cost-effective sheets for a wide range of applications**
- **Natural daylighting with weather protection**
- **Long maintenance free life**
- **Very tough**
  - user friendly when being fixed
  - will withstand high winds and heavy hailstones
- **Easy to use**
  - can be fixed and cut with simple hand tools
  - no specialised equipment or knowledge required
- **Manufacture assured to BS EN ISO 9001: 2008**

**FILON**®

## The durable, long-life solution...

A long, maintenance free life of 20 years plus can be expected. Only occasional washing of the external surface is required to maintain the best levels of light transmission.

## Drill it.. nail it.. bend it - Filonite will withstand the toughest treatment!

Filonite profiles are made from Glass Reinforced Polyester. It is a very tough material (used for car bodies and ocean racing yachts) such that when fixed it will withstand hailstones and high winds. Light to carry and easy to fix, it can be trimmed with a saw, and fixing holes can be punched with drive screw roofing nails without sheets cracking or shattering. Holes for bolt and hook fixings should be pre-drilled using a drill bit of a similar size to the bolt. Filonite doesn't suffer from expansion and contraction problems either. It won't 'sag' in hot weather or become brittle in the cold.

## Maximum light for working areas

Filonite is a clear lightweight GRP sheet, available in two profile: Filonite S with a Sinusoidal profile and Filonite T, with a trapezoidal profile. Both sheets offer an exceptional 94% light transmission to give maximum light where you need it.

## Fire Resistant too!

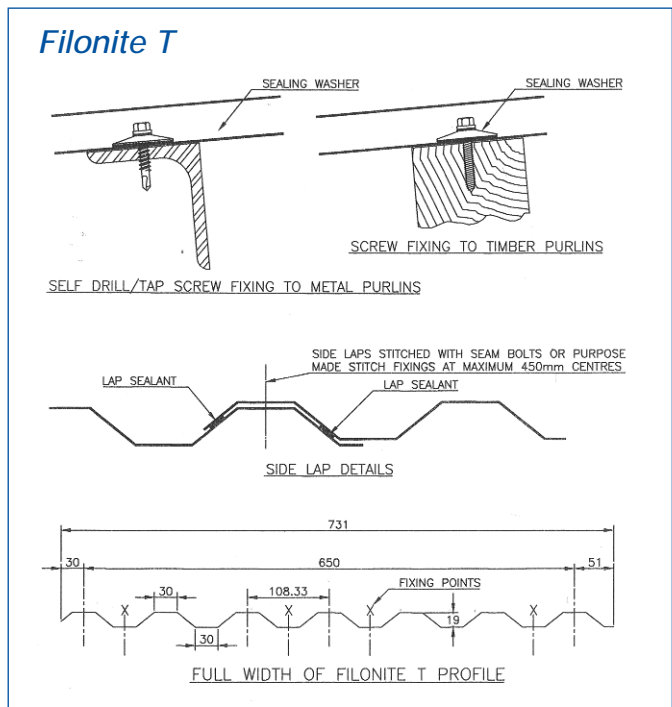
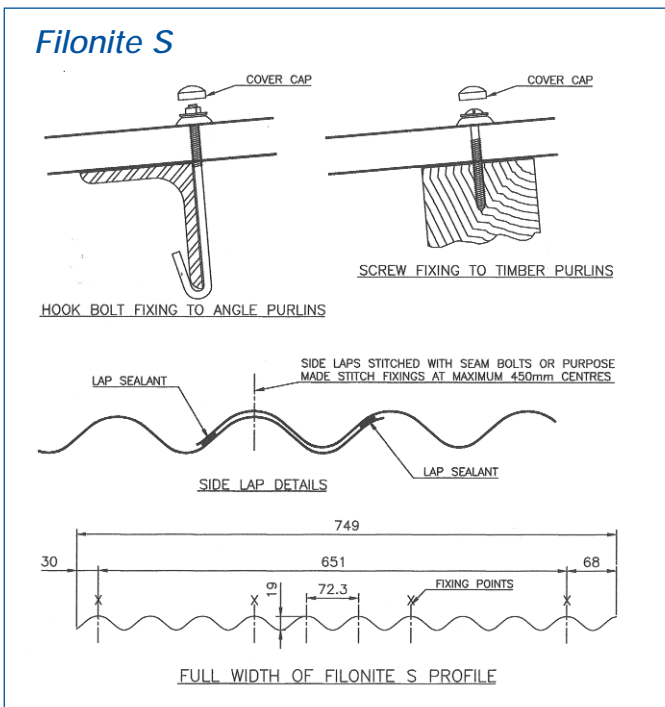
Independent tests under BS476 'fire tests': Parts 3 and 7 confirm Filonite sheets have been designated AB and rated Class 3.

Building Regulations allow Filonite to be used as follows: Complete roof of domestic garages and outbuildings of maximum 40m<sup>2</sup> area.

Open sided buildings such as balconies, carports, covered ways and canopies that have one longest side permanently open.

## Great Value for Money!

Competitively priced, Filonite initial costs are low plus there are long term savings by being maintenance free with an excellent life expectancy. Filon GRP sheets are clear favourites for a lighter environment, a longer life, and excellent long term value for money.



Recommended purlin and vertical rail centres 1m. Note that, although shatter resistant, Filonite is flexible and must not be stood on when on the roof. It is recommended that a sealing tape is used at side lap positions as illustrated.

# FILON<sup>®</sup>

## Filon Products Limited

Unit 3, Ring Road, Zone 2, Burntwood Business Park  
Burntwood, Staffordshire WS7 3JQ, England

Tel: +44 (0)1543 687300 Fax: +44 (0)1543 687 303

Email: sales@filon.co.uk

[www.filon.co.uk](http://www.filon.co.uk)

M.Filonite.03.12

FILON is a trademark of Filon Products Ltd.

Information and recommendations contained in this publication are given in good faith without warranty or guarantee. We are constantly seeking to improve our products and therefore reserve the right to alter specifications at any time.

No liability can be accepted for any claims, losses or demands arising from contents of this publication. This statement does not affect statutory rights which cannot be excluded by agreement.

