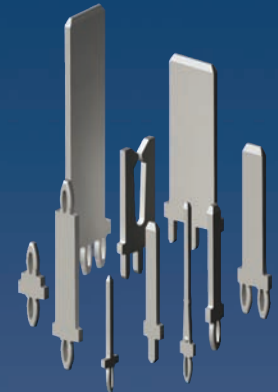


Solderless Press-Fit Terminals for Automotive Applications



Industry Proven 0.64mm & 0.8mm Press-Fit Zones

Standard and Custom Size Blades Available

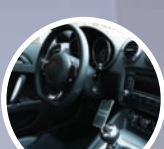
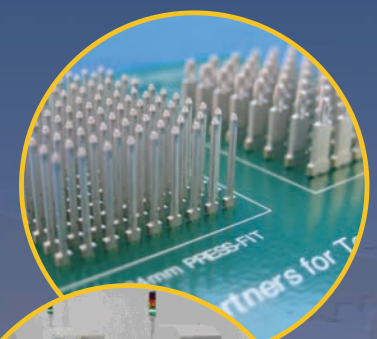
Tested for Up to 150°C Operational Temperatures

Designed for High Speed Insertion

Standard and High Performance Alloy Options

Flexible Tooling for Low Cost Variations

Switches, Junction Boxes, Controllers, Lighting, etc.



Automotive



Medical



Mil-Aero/Industrial

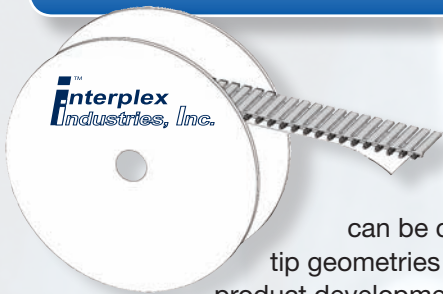


Telecom

Interplex
Sunbelt, Inc.

Stampings, Moldings and Complex Assemblies

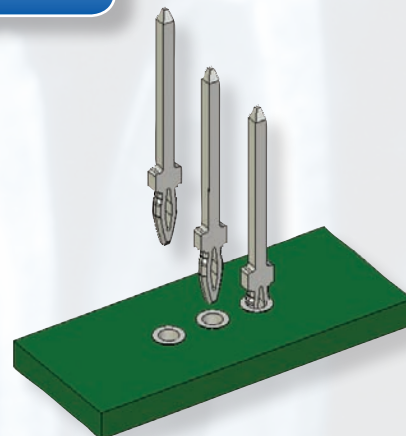
Solderless Press-Fit Terminals Facilitate Automation



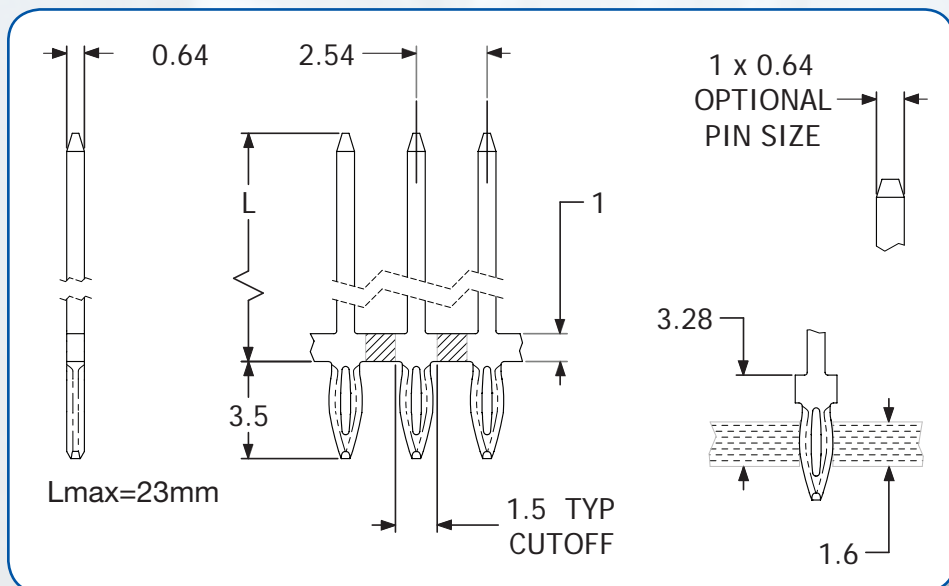
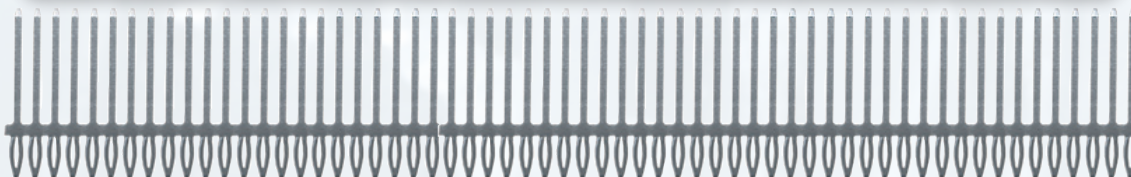
Interplex's solderless press-fit terminals are designed for demanding automotive applications and are currently available on 0.64mm and 0.8mm thick terminals. Our modular high-speed production dies can be configured for specific blade lengths and tip geometries to provide you with fast and economical product development cycles. Other specialty parts like tuning fork sockets, flag terminals and dual press-fit stacking pins are also available. Interplex application engineers are available to assist you with your design and engineering needs.

Interplex press-fit eyes are qualified for automotive applications at 125°C and 150°C depending on alloy selection. Qualification standards include: Hella-Norm 28100, Continental CQR10098897, IEC 60352-5, TRW 206914 and others.

Stampings are provided on reels to facilitate high speed automation into circuit cards, and are compatible with major insertion machine manufacturers. Interplex collaborates with UMG Technologies, a market leader in terminal insertion machines, to provide you with turnkey solutions for your terminal assembly needs. Interplex and UMG work together with you to understand your part design and production floor requirements, in order to deliver a reliable and economical assembly solution.



0.64mm x 0.64mm Blade Terminal (0.64mm x 1mm Option)

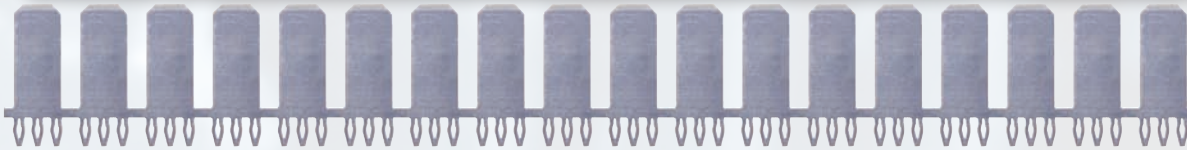


.64mm Press-Fit Specifications, Properties and Material Options

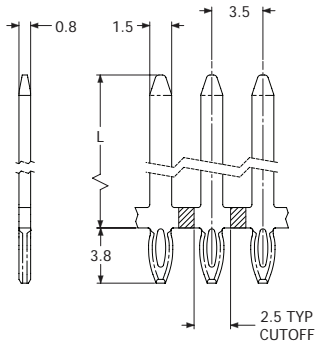
Alloys	CuSn	CuNiSi
Material Conductivity	13%	40%
Max Application Temperature	125C°	175C°

See Application Drawing Ref: E-SUN03558 for engineering details and available lengths.

0.8mm Press-Fit Family of Terminals (1.5, 2.8, 6.3mm Blade)

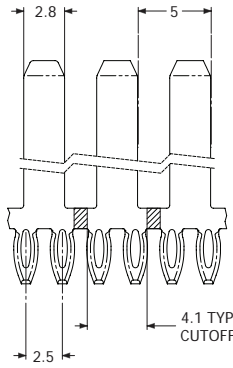


1.5mm X 0.8mm



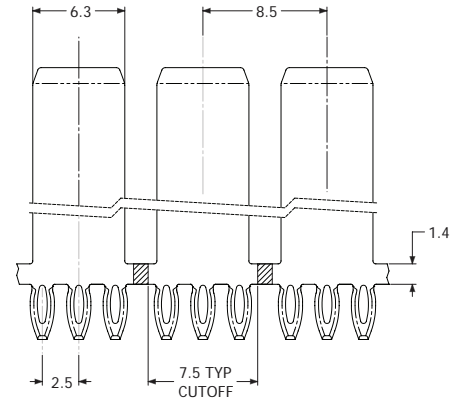
Lmax=25mm

2.8mm X 0.8mm

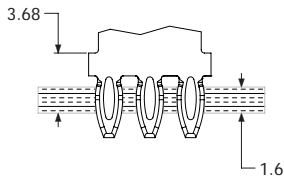


Lmax=25mm

6.3mm X 0.8mm

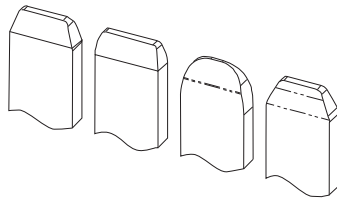


Lmax=25mm



0.8mm Press-fit terminals PCB mounting height

Flexible tooling for different tip geometries



VW, Tyco, Yazaki, Custom and Others

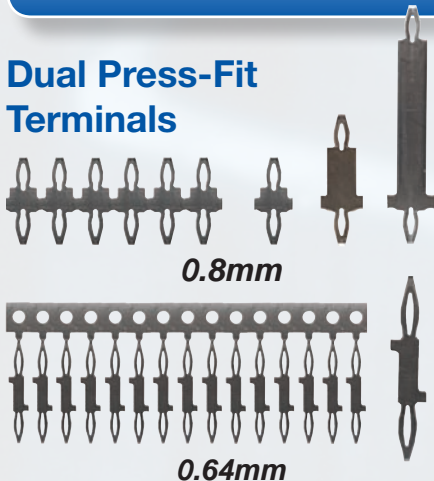
See Application Drawing Ref: **E-SUN03557** for engineering details and available lengths.

0.8mm Press-Fit Specifications, Properties and Material Options

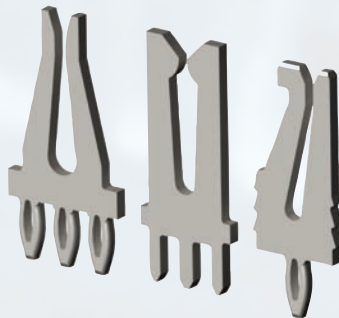
Alloys	CuSn	CuZnSn	CuNiSi	CuCrAg
Material Conductivity	13%	30%	40%	80%
Max. Application Temperature	125C°	125C°	175C°	200C°

Additional Press-Fit Terminals and Applications

Dual Press-Fit Terminals



Tuning Forks

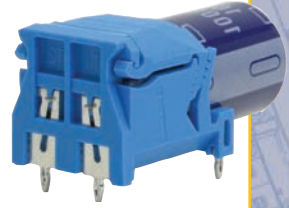
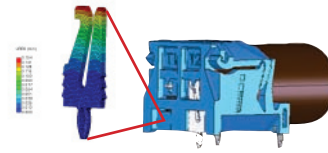


Specialty Header Parts

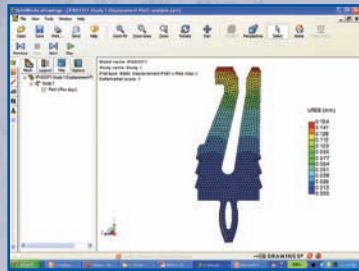
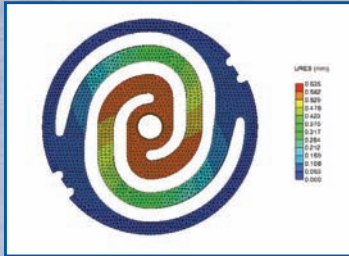


Engineering & Development

- Application Expertise and Design Assistance
- FEA Evaluation
- Design Validation and Product Development
- Design for Global Manufacturing
- Packaging Integration
- Production Tool Design and Build
- Quick Turn Prototypes



Concept → Design → Prototype → Production



Interplex, a vertically integrated, global manufacturer of small precision parts and assemblies, operates from over 25 worldwide locations in 11 countries and offers complete solutions from concept through development and into scalable high-volume production for almost any electronic packaging and press-fit application. Interplex's network of engineers develop solutions that fit the manufacturing needs of our customers and then match up those needs with the best Interplex production facility.

Interplex continues to expand its technologies and capabilities. The company develops solutions that integrate both solder-bearing and press-fit technologies into discrete terminals as well as various complete electronic packages. Press-fit technology solutions support applications in automotive control modules, switch assemblies, hybrid inverters and other power generation and electronic packaging applications. Interplex is always driven by the singular mission to deliver innovative solutions and services to our customers.

Over 25 Global Locations in 11 Countries

One Global Resource...

- Precision Stamping
- Complex Molding
- Precision Plating
- Reel to Reel Etching
- Solder Bearing Lead Products
- Press-Fit Interconnect Technology
- Automation Development
- Engineering Services
- Manufacturing Development



North America

Europe

Asia